



US00D895989S

(12) **United States Design Patent** (10) **Patent No.:** **US D895,989 S**
Altherr et al. (45) **Date of Patent:** **** Sep. 15, 2020**

(54) **CHAIR WITH ATTACHED TABLE**

A47B 39/12; A47B 41/00; A47B 41/02;
A47B 83/00; A47B 83/02

(71) Applicant: **ARPER S.P.A.**, Monastier di Treviso (IT)

See application file for complete search history.

(72) Inventors: **Jeannette Altherr**, Monastier di Treviso (IT); **Alberto Lievore**, Monastier di Treviso (IT)

(56) **References Cited**

U.S. PATENT DOCUMENTS

(73) Assignee: **ARPER S.p.A.**, Monastier di Treviso (IT)

4,159,846	A *	7/1979	Tolleson	A47C 7/70 16/273
D261,578	S *	11/1981	Heritage	D6/338
D280,681	S *	9/1985	Rowland	D6/338
D592,418	S *	5/2009	Bergin	D6/707.22
D655,102	S *	3/2012	Yetman	A47C 7/70 D6/373
D784,712	S *	4/2017	Scagnellato	D6/338
D852,554	S *	7/2019	Geelen	D6/673
2006/0249999	A1 *	11/2006	Bergin	A47C 7/70 297/188.18
2014/0021750	A1 *	1/2014	Su	A47C 7/70 297/162

(**) Term: **15 Years**

(21) Appl. No.: **35/507,414**

(22) Filed: **Mar. 20, 2019**

(80) **Hague Agreement Data**

Int. Filing Date: **Mar. 20, 2019**

Int. Reg. No.: **DM/202549**

Int. Reg. Date: **Mar. 20, 2019**

Int. Reg. Pub. Date: **Sep. 6, 2019**

* cited by examiner

Primary Examiner — Mary Ann Calabrese

(74) *Attorney, Agent, or Firm* — Thomas | Horstemeyer, LLP

(30) **Foreign Application Priority Data**

Sep. 25, 2018 (WO) DM/103710

(51) **LOC (12) Cl.** **06-05**

(52) **U.S. Cl.**
USPC **D6/341**

(58) **Field of Classification Search**
USPC D6/334, 335, 336, 338, 341, 370, 371,
D6/379, 380, 707, 707.22
CPC A47C 3/00; A47C 3/025; A47C 3/0255;
A47C 3/026; A47C 3/18; A47C 4/00;
A47C 4/02; A47C 5/00; A47C 7/00;
A47C 7/02; A47C 7/68; A47C 7/70;
A47B 39/00; A47B 39/02; A47B 39/08;

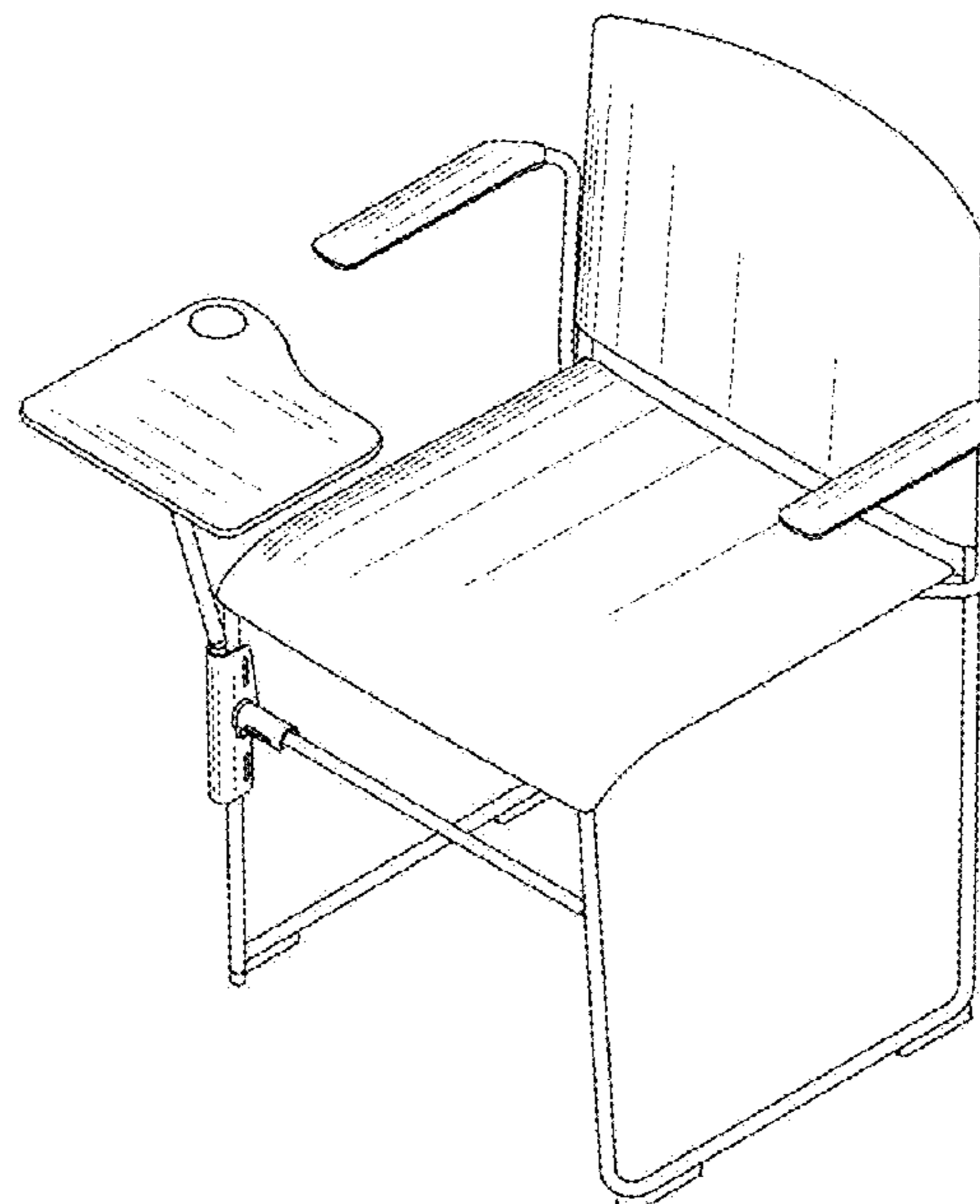
(57) **CLAIM**

The ornamental design for a chair with attached table, as shown and described.

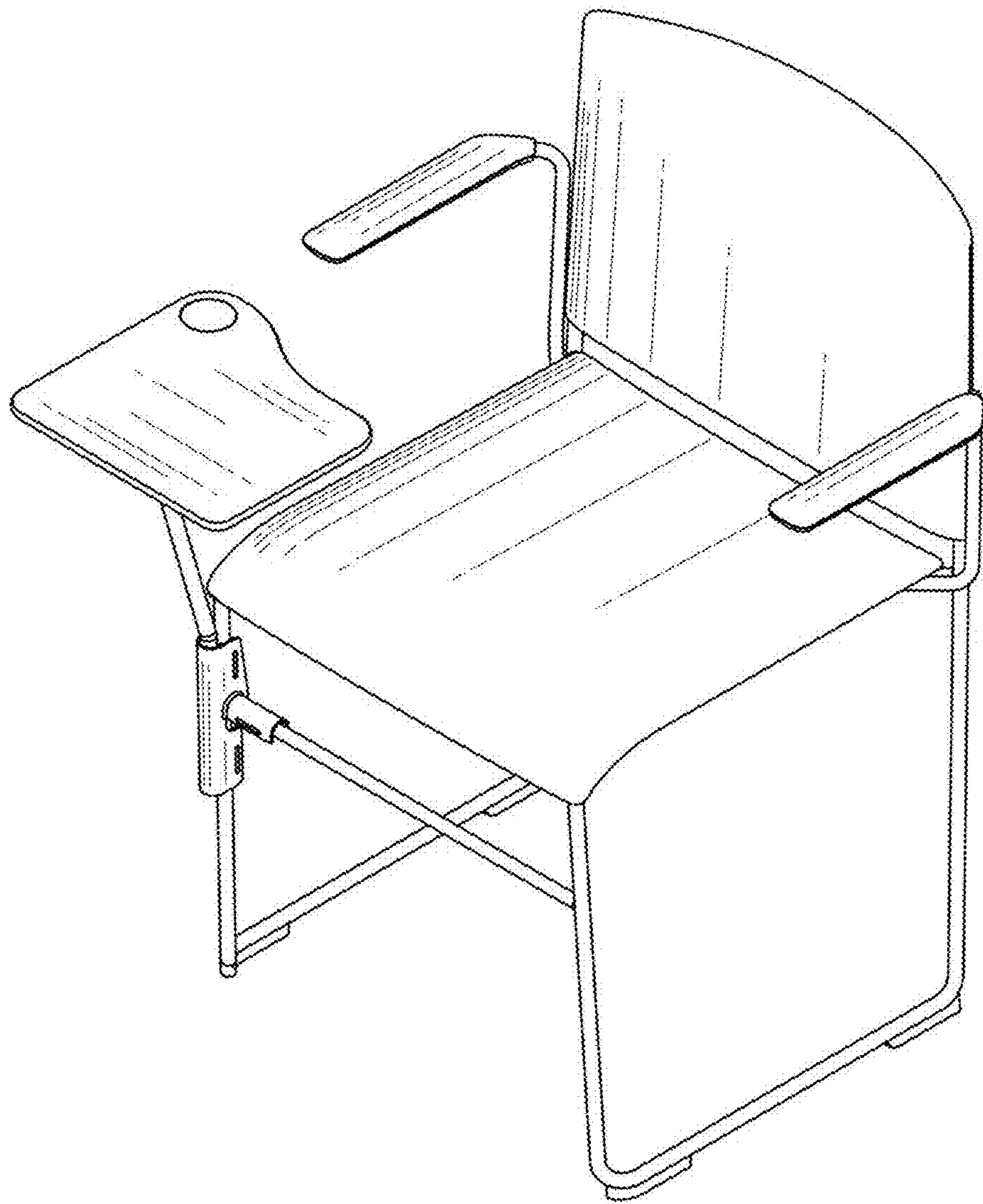
DESCRIPTION

1. Chair with attached table
- 1.1 is a front perspective view showing my new design;
- 1.2 is a rear perspective view thereof;
- 1.3 is a right view thereof;
- 1.4 is a left view thereof;
- 1.5 is a front view thereof;
- 1.6 is a rear view thereof; and,
- 1.7 is a top view thereof.

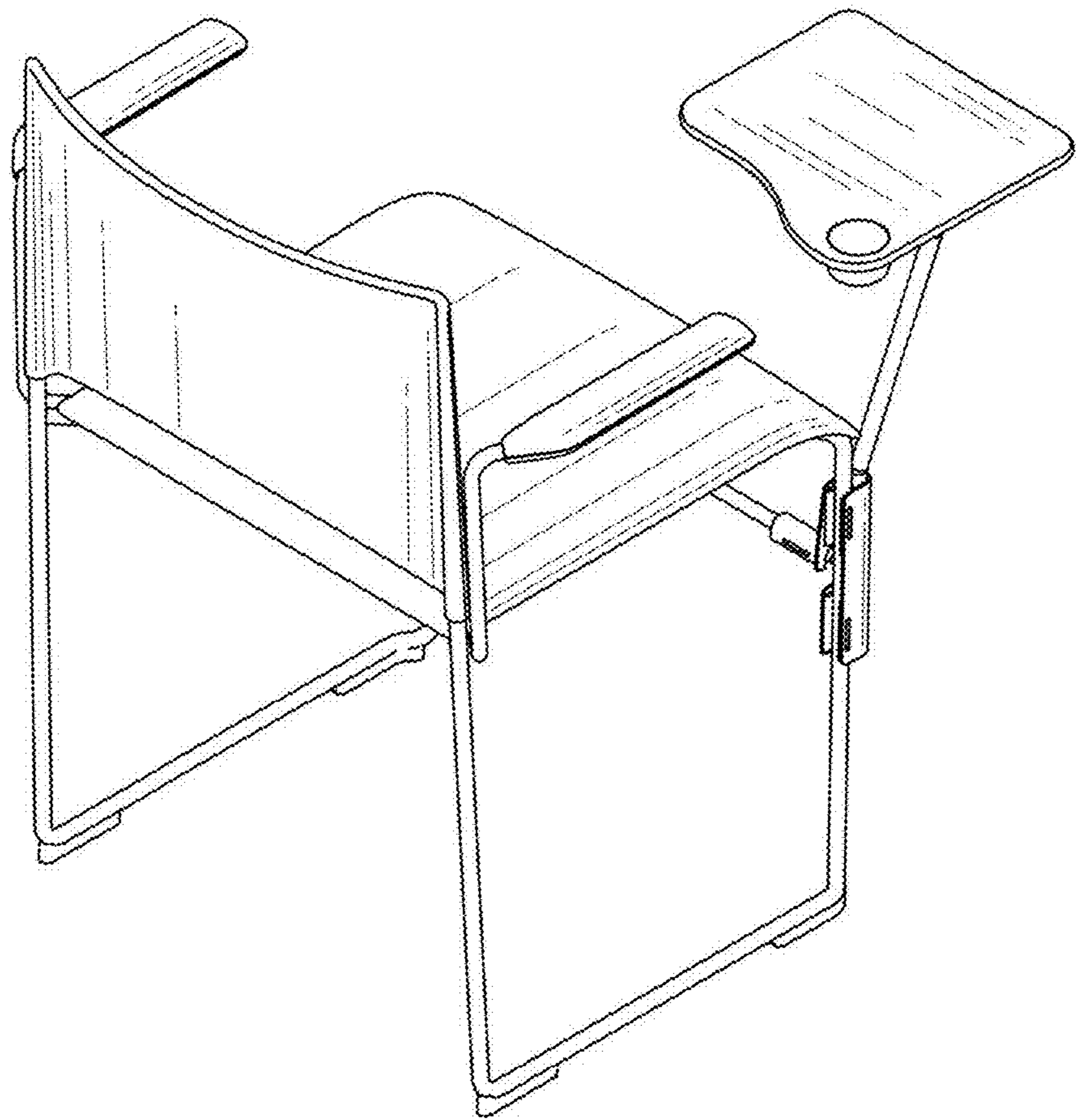
1 Claim, 7 Drawing Sheets



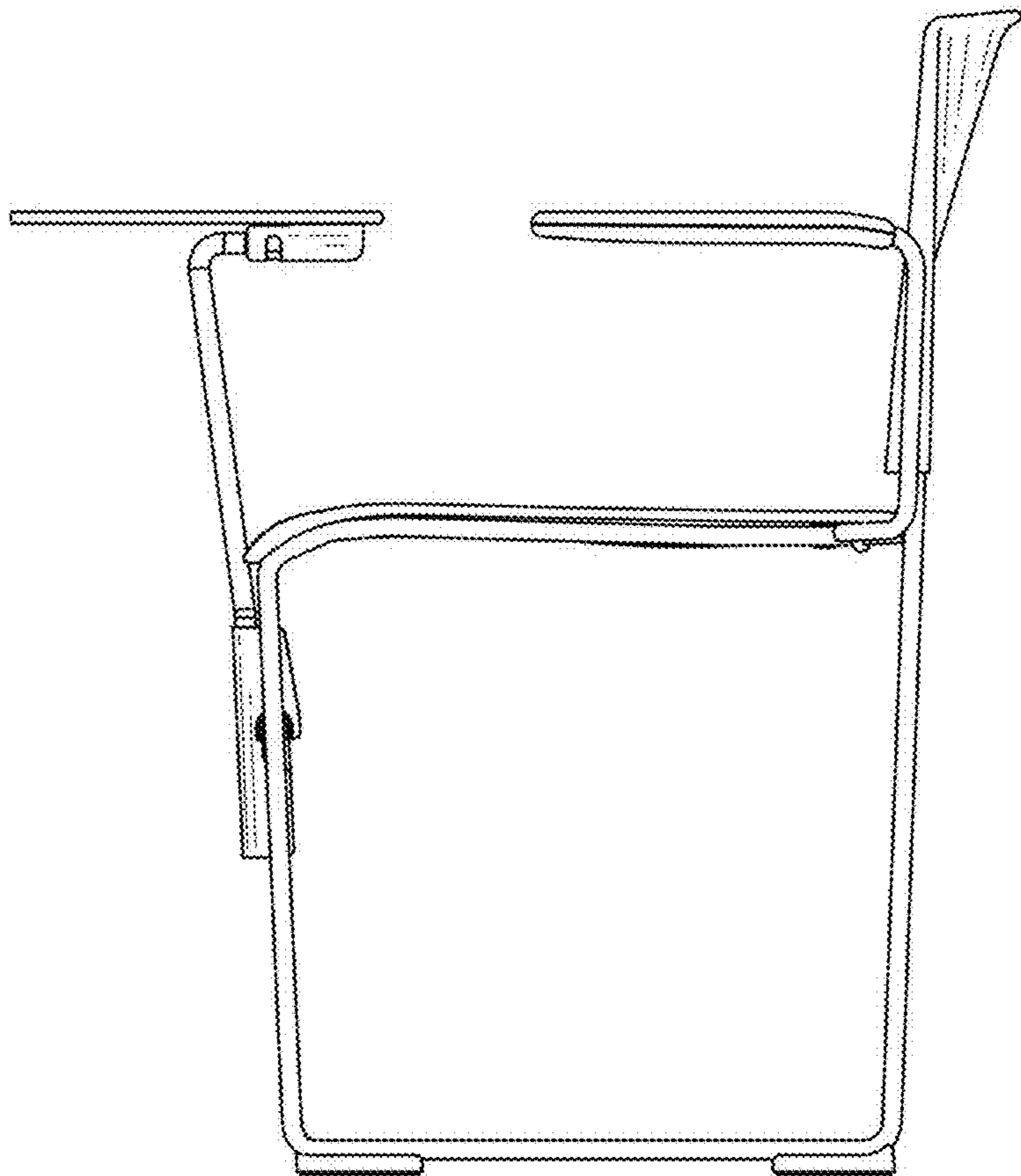
1.1



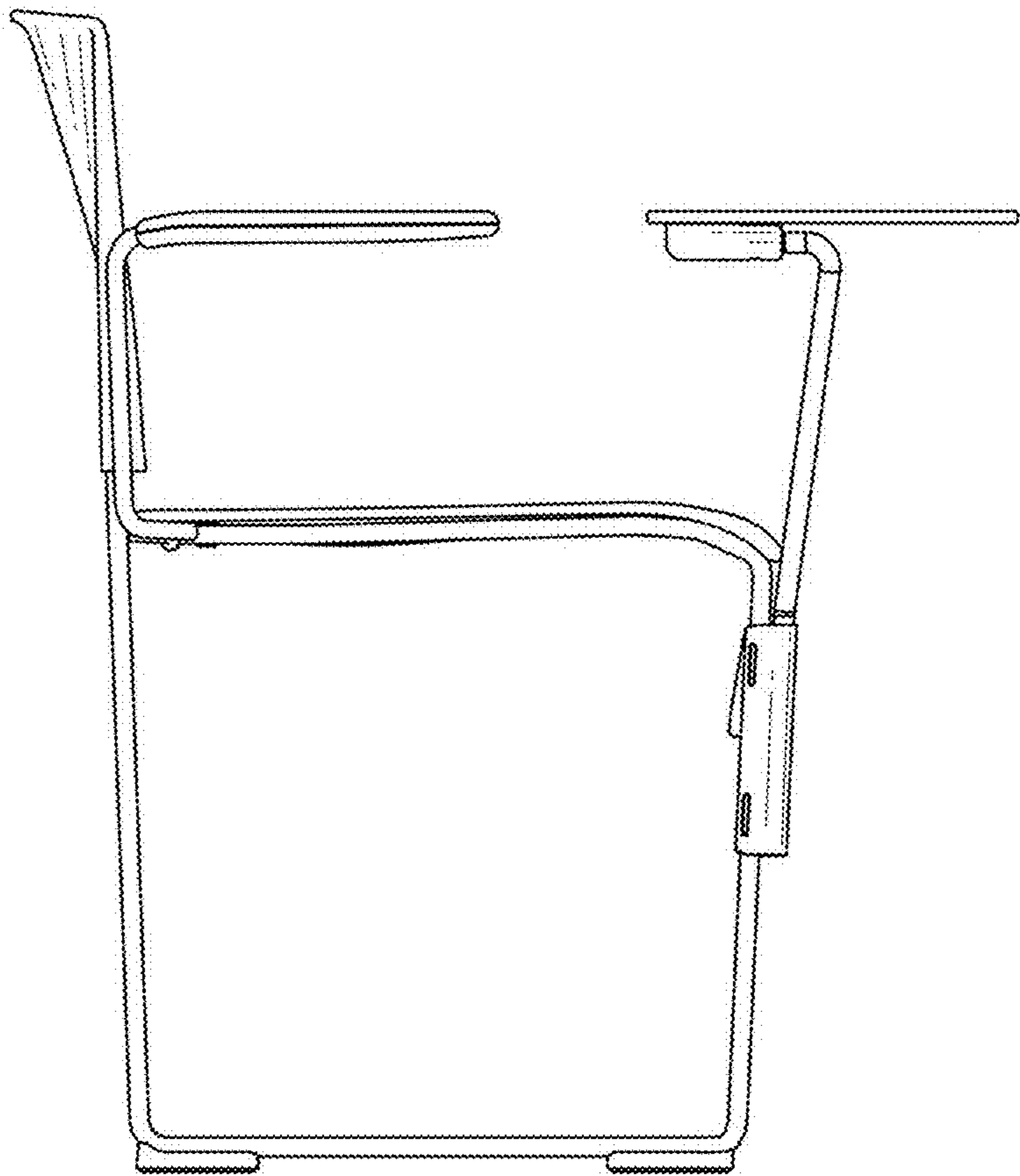
1.2



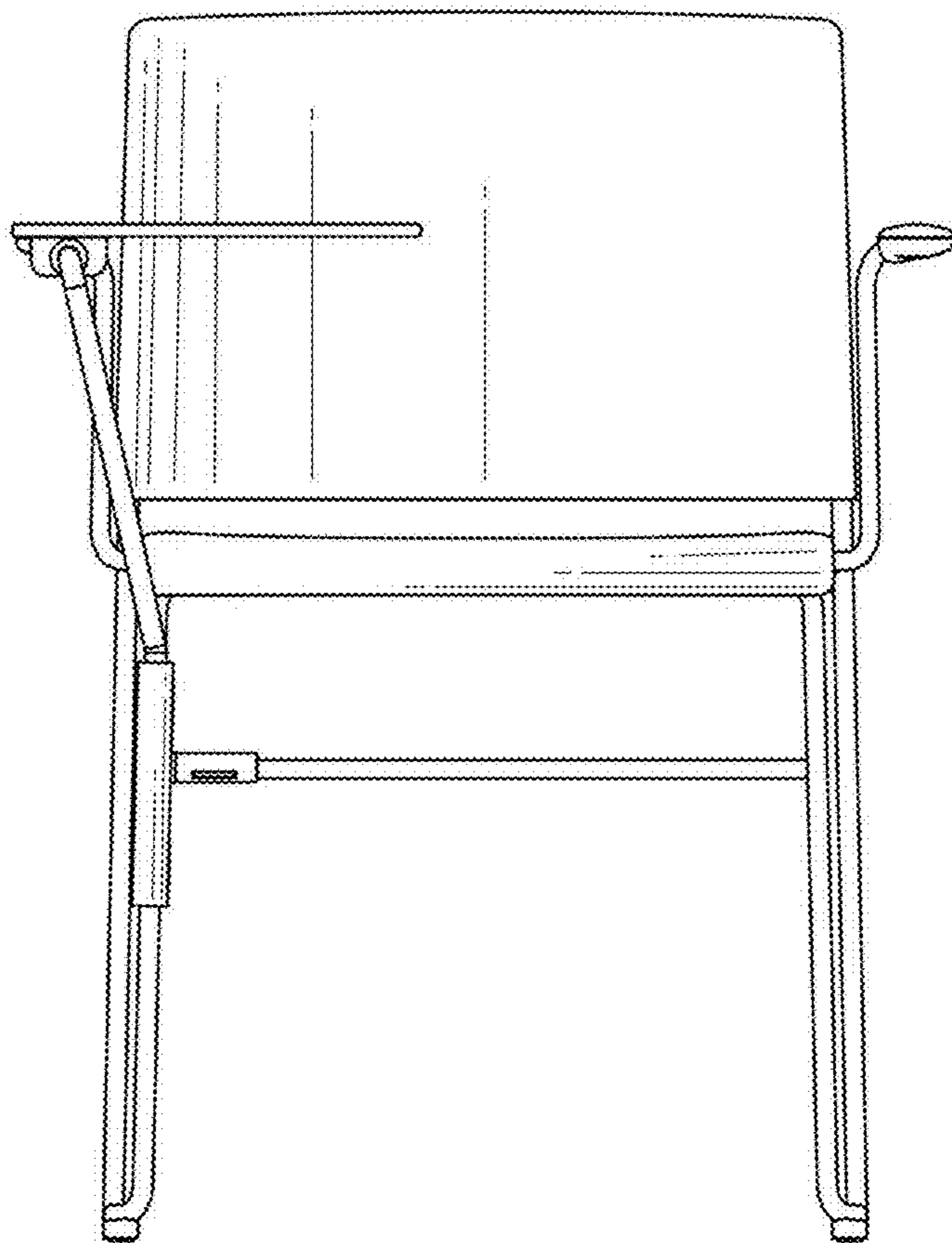
1.3



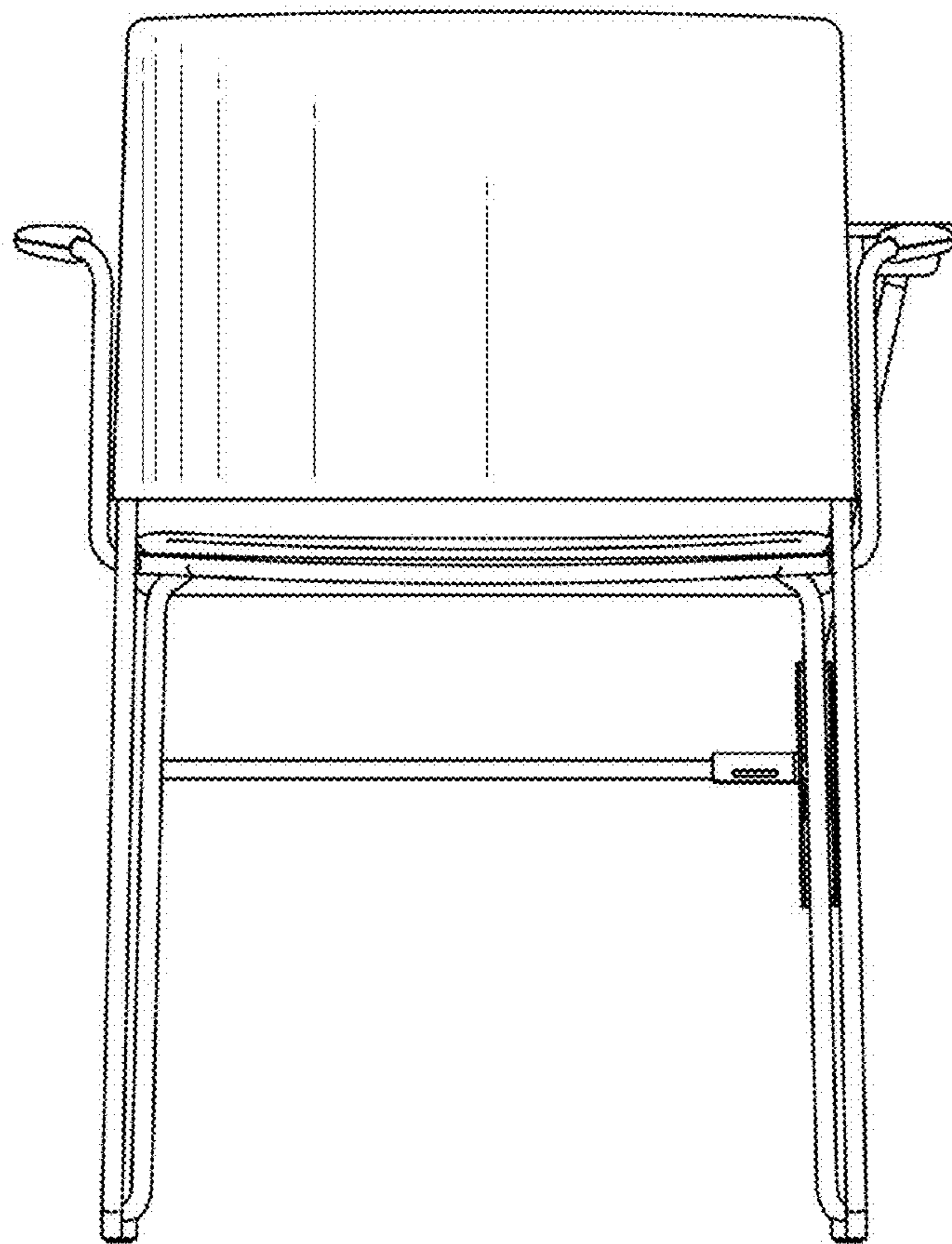
1.4



1.5



1.6



1.7

