



US00D895988S

(12) **United States Design Patent**
Crawford

(10) **Patent No.:** **US D895,988 S**

(45) **Date of Patent:** **** Sep. 15, 2020**

- (54) **SCREEN**
- (71) Applicant: **Senator International Limited**,
Accrington, Lancashire (GB)
- (72) Inventor: **Jon Crawford**, Accrington (GB)
- (73) Assignee: **Senator International Limited**,
Lancashire (GB)
- (**) Term: **15 Years**
- (21) Appl. No.: **29/655,156**

- 6,116,165 A * 9/2000 Kadesky A47B 23/002
108/161
- D466,337 S * 12/2002 Feng D6/689
- D495,172 S * 8/2004 Brownfield D6/672
- D544,408 S * 6/2007 Weekes D12/106
- D595,782 S * 7/2009 Whitfield D20/43
- D644,456 S * 9/2011 Martin D6/690
- D645,865 S * 9/2011 Diehl D14/299
- D693,610 S * 11/2013 Denby D6/675
- D720,160 S * 12/2014 Lloyd D6/643
- D731,216 S * 6/2015 Sorel D6/690
- D743,716 S * 11/2015 Dillon D6/643
- D774,339 S * 12/2016 Parshad D6/714
- D781,086 S * 3/2017 Velez D6/656
- D799,875 S * 10/2017 Siebert D6/716.1

(Continued)

- (22) Filed: **Jun. 29, 2018**
- (51) **LOC (12) Cl.** **06-06**
- (52) **U.S. Cl.**
USPC **D6/332**
- (58) **Field of Classification Search**
USPC D6/332, 300, 314, 713, 714, 640, 641,
D6/643, 648, 650, 657, 672, 680.2, 691,
D6/691.3, 707.19
CPC E04B 2/74; E04B 2/7401; E04B 2/7405;
E04B 2/7407; E04B 2/7416; E04B
2/7433; E04B 2002/7464; E04B 2/76;
E04B 2/824; E04B 2/88; E04B 2/7425;
E04B 2/7427; E04B 2/7431; E04B
2/7409; E04B 2/7422; E04B 2002/7479;
A47G 5/00; A47H 23/00
See application file for complete search history.

Primary Examiner — Kimberly Barnes

(74) *Attorney, Agent, or Firm* — Florek & Endres PLLC

(57) **CLAIM**

I claim the ornamental design for a screen, as shown and described.

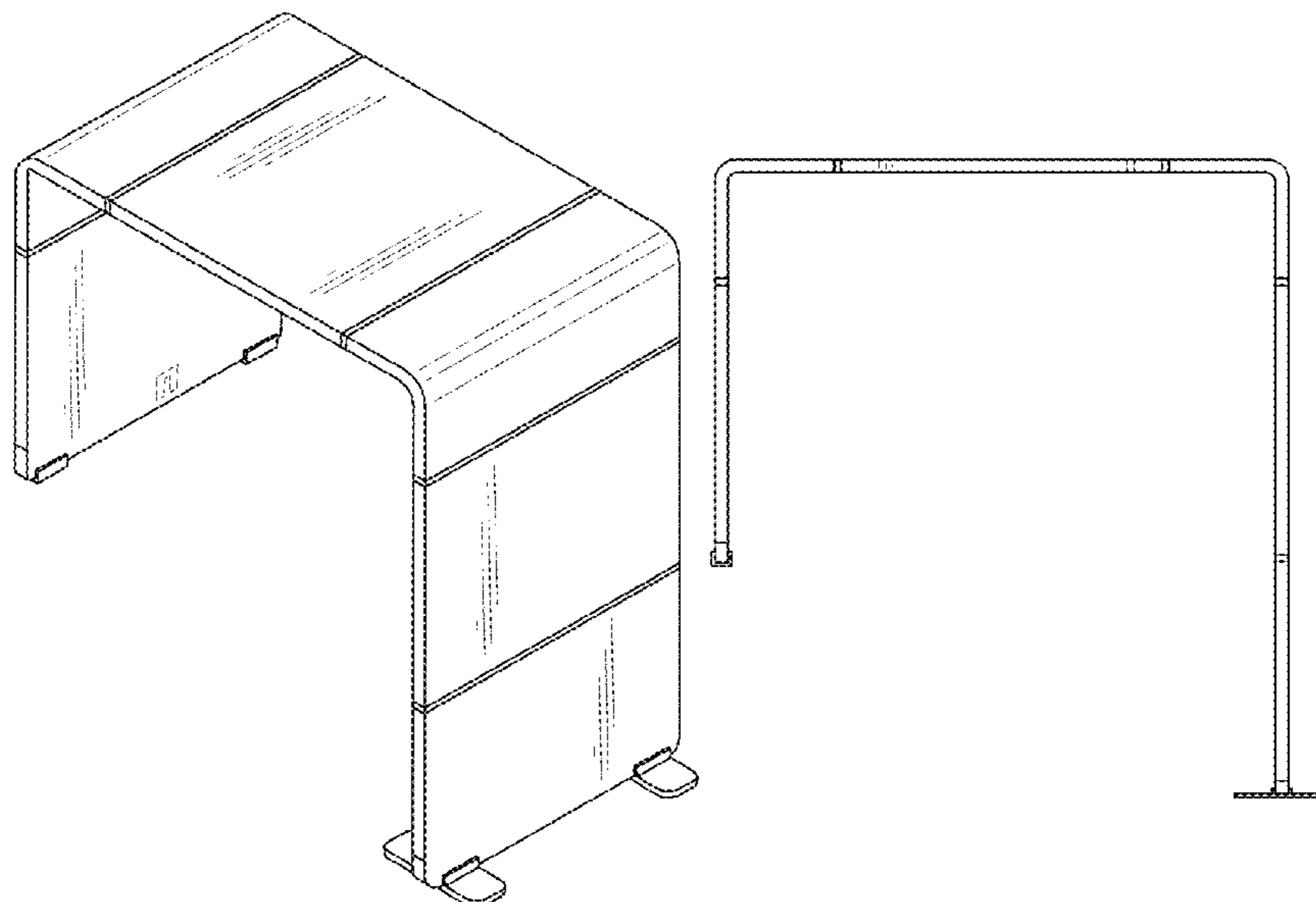
DESCRIPTION

FIG. 1 is a perspective view of a screen according to a first embodiment of the present invention.
 FIG. 2 is a first side elevation of the screen of FIG. 1.
 FIG. 3 is a second side elevation of the screen of FIG. 1.
 FIG. 4 is a first end elevation of the screen of FIG. 1.
 FIG. 5 is a second end elevation of the screen of FIG. 1.
 FIG. 6 is a top view of the screen of FIG. 1.
 FIG. 7 is a bottom view of the screen of FIG. 1.
 FIG. 8 is a perspective view of the screen according to a second embodiment of the present invention.
 FIG. 9 is a first side elevation of the screen of FIG. 8.
 FIG. 10 is a second side elevation of the screen of FIG. 8.
 FIG. 11 is a first end elevation of the screen of FIG. 8.
 FIG. 12 is a second end elevation of the screen of FIG. 8.
 FIG. 13 is a top view of the screen of FIG. 8; and,
 FIG. 14 is a bottom view of the screen of FIG. 8.

(56) **References Cited**
U.S. PATENT DOCUMENTS

- D224,637 S * 8/1972 Ball D6/641
- D233,293 S * 10/1974 Rosen D6/691.3
- 4,715,154 A * 12/1987 Baloga A47B 87/00
52/239
- D406,964 S * 3/1999 Lewis D6/349
- D411,689 S * 6/1999 Papaioannou D6/349
- D427,814 S * 7/2000 Black D6/690

1 Claim, 7 Drawing Sheets



(56)

References Cited

U.S. PATENT DOCUMENTS

D811,760 S *	3/2018	Woods	D6/342
D821,764 S *	7/2018	Woods	D6/342
D821,788 S *	7/2018	Velez	D6/687
D842,016 S *	3/2019	Sorel	D6/694
2007/0283631 A1 *	12/2007	Grandin	A47B 83/001 52/36.2

* cited by examiner

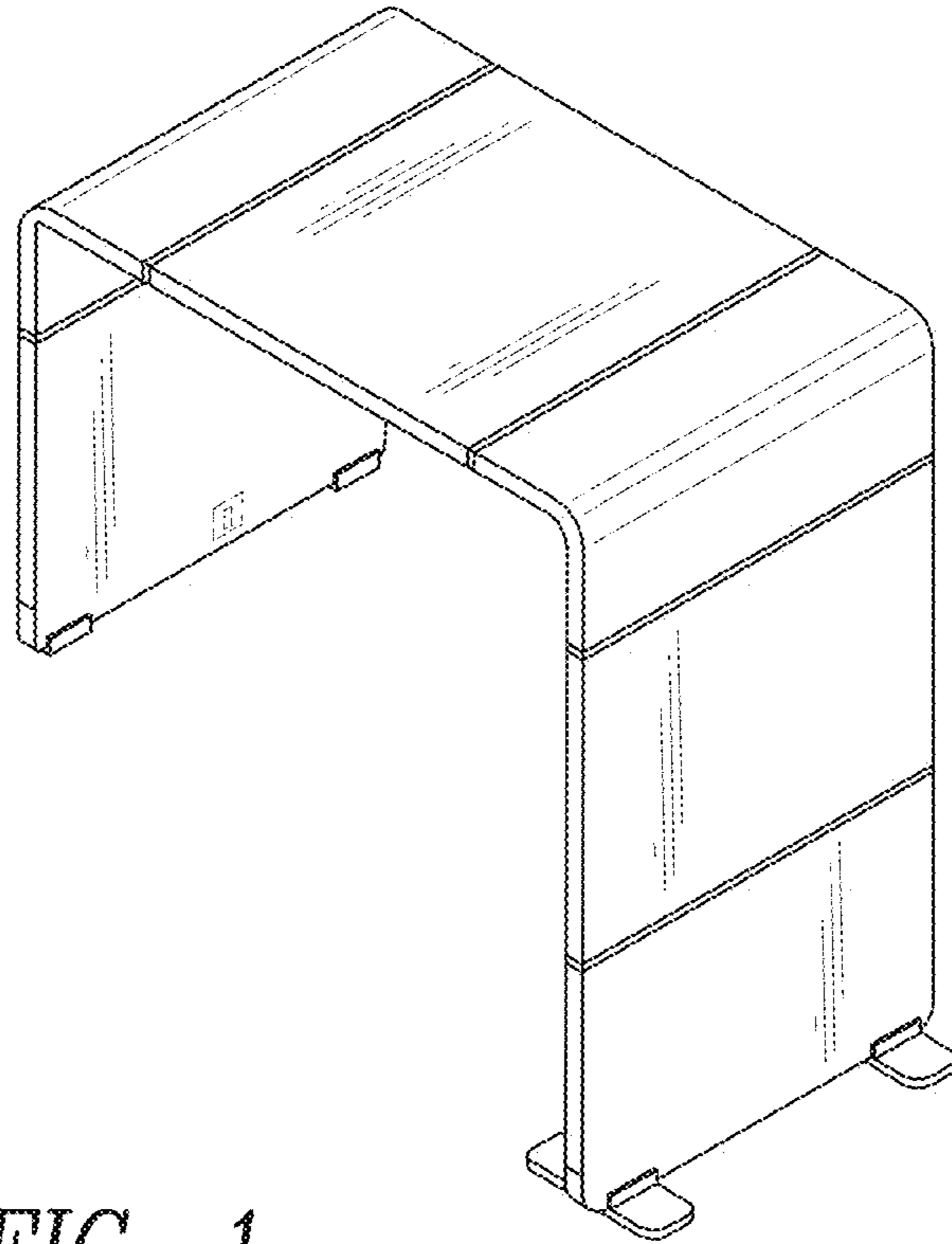


FIG. 1

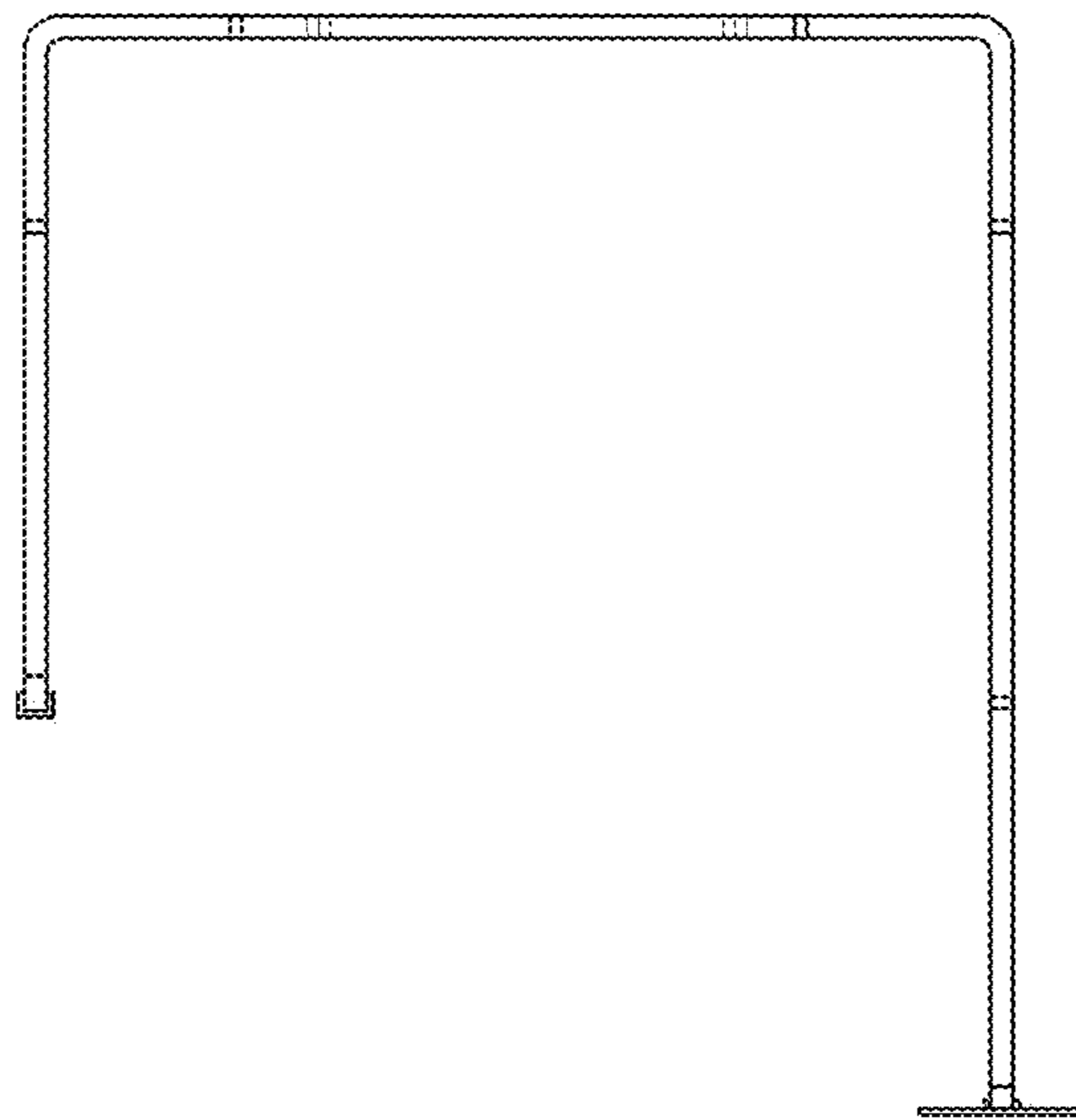


FIG. 2

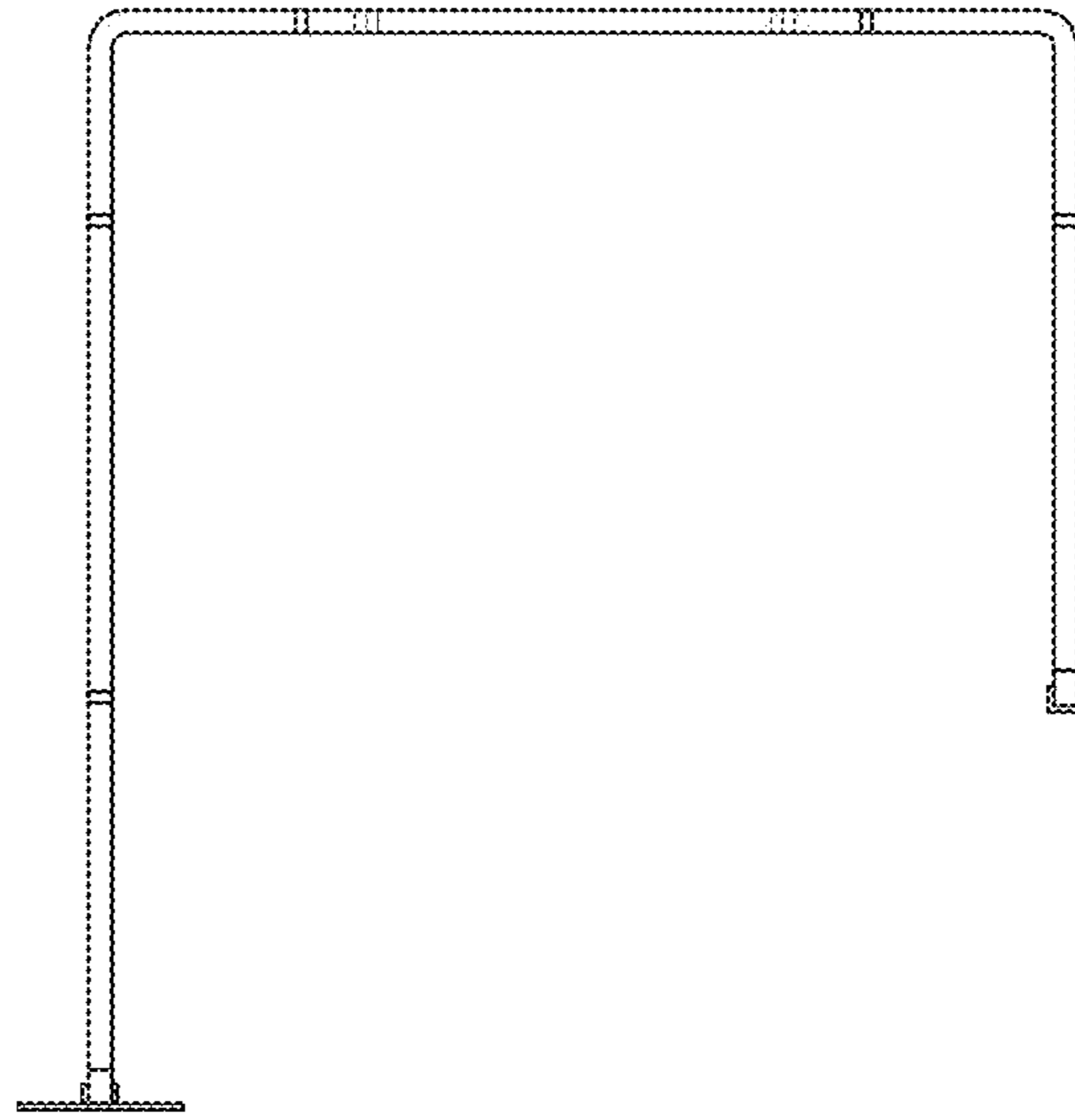


FIG. 3

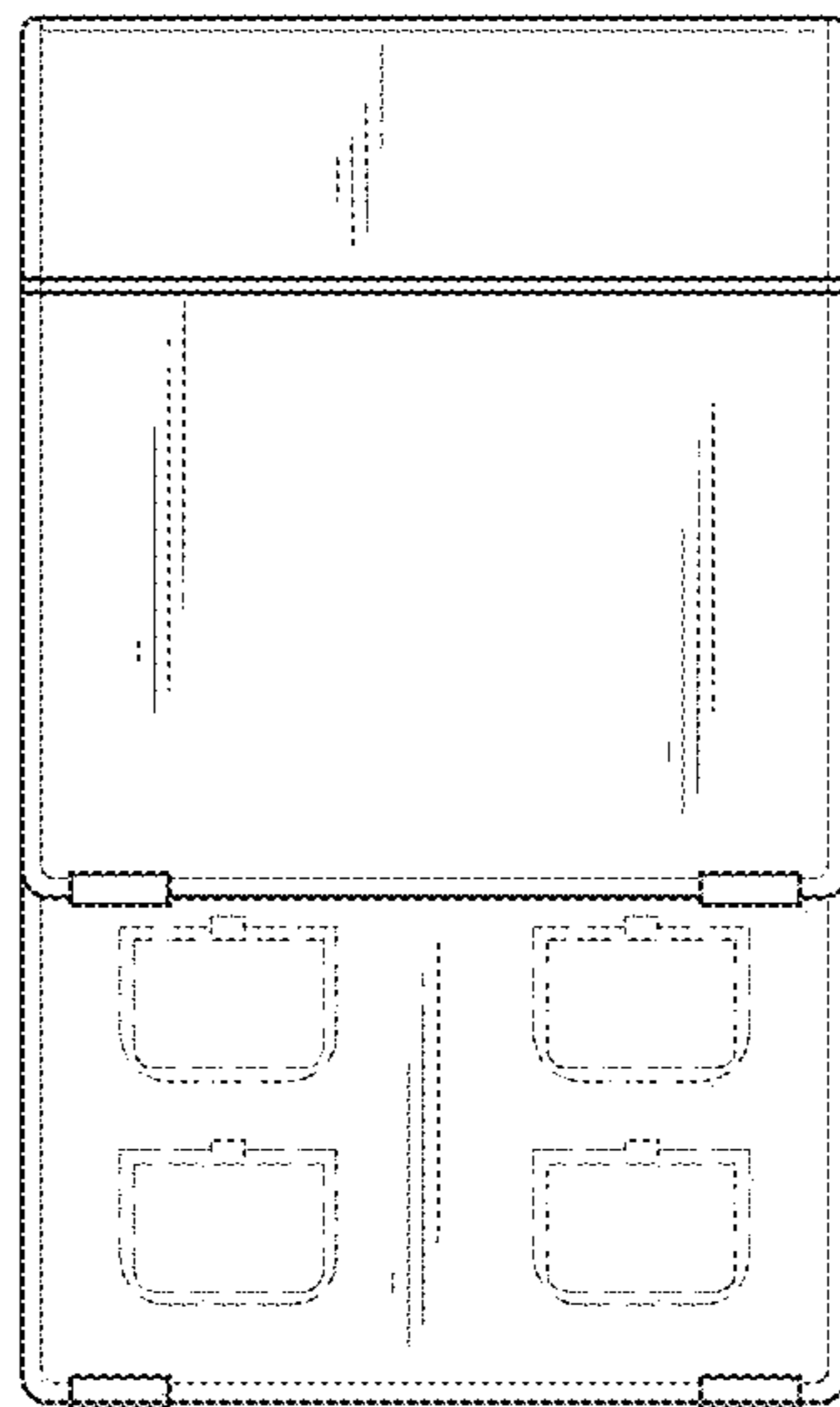


FIG. 4

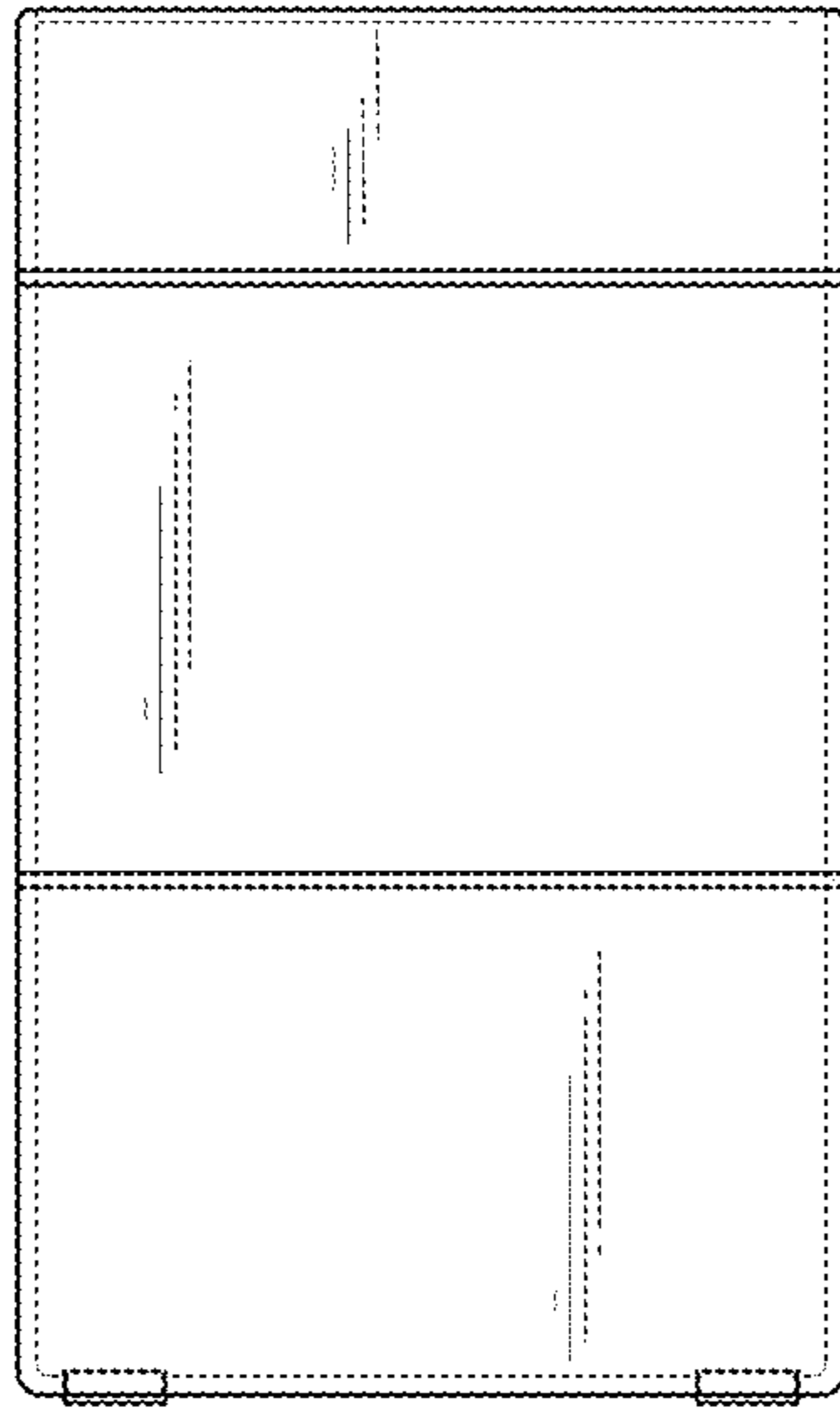


FIG. 5

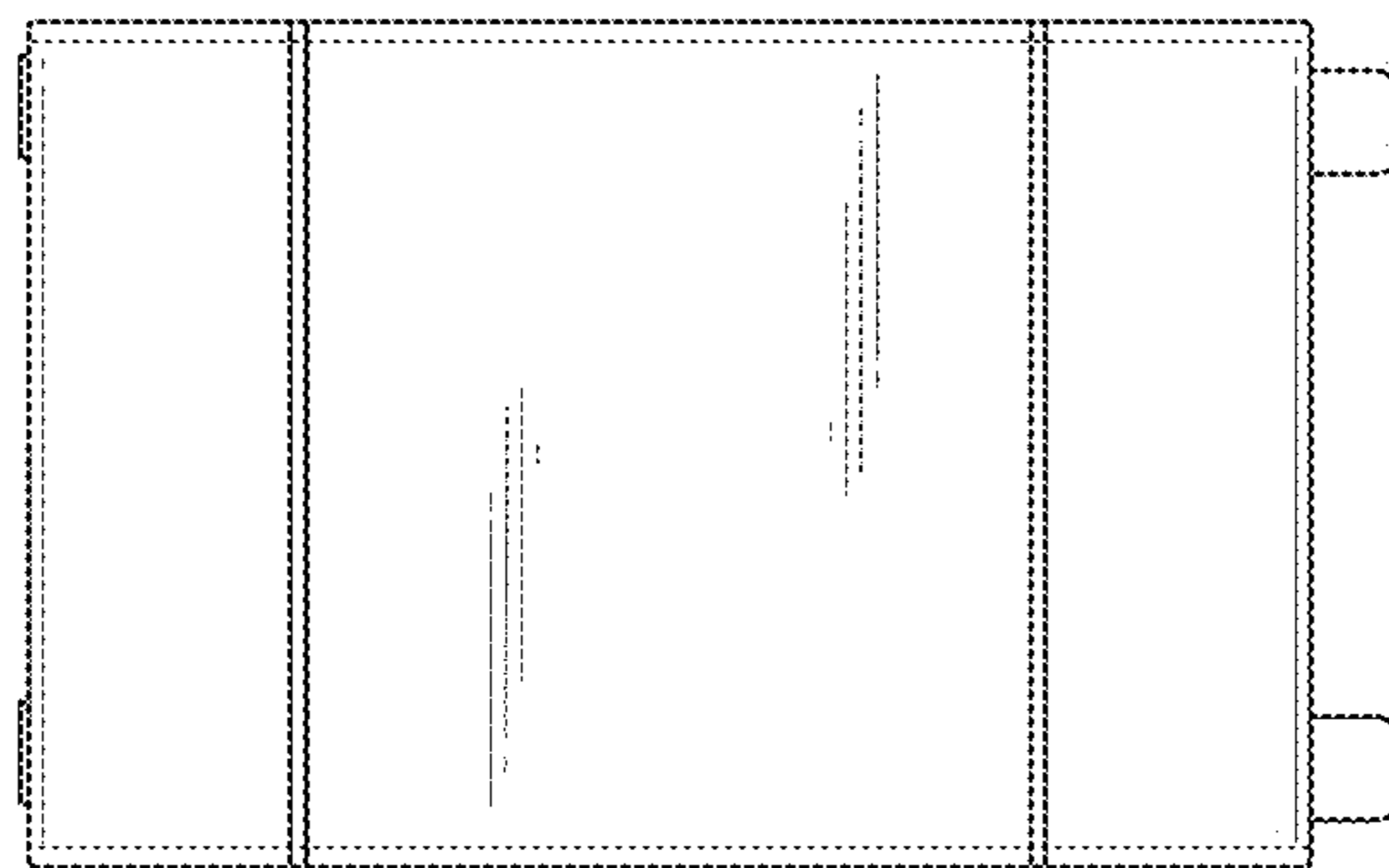


FIG. 6

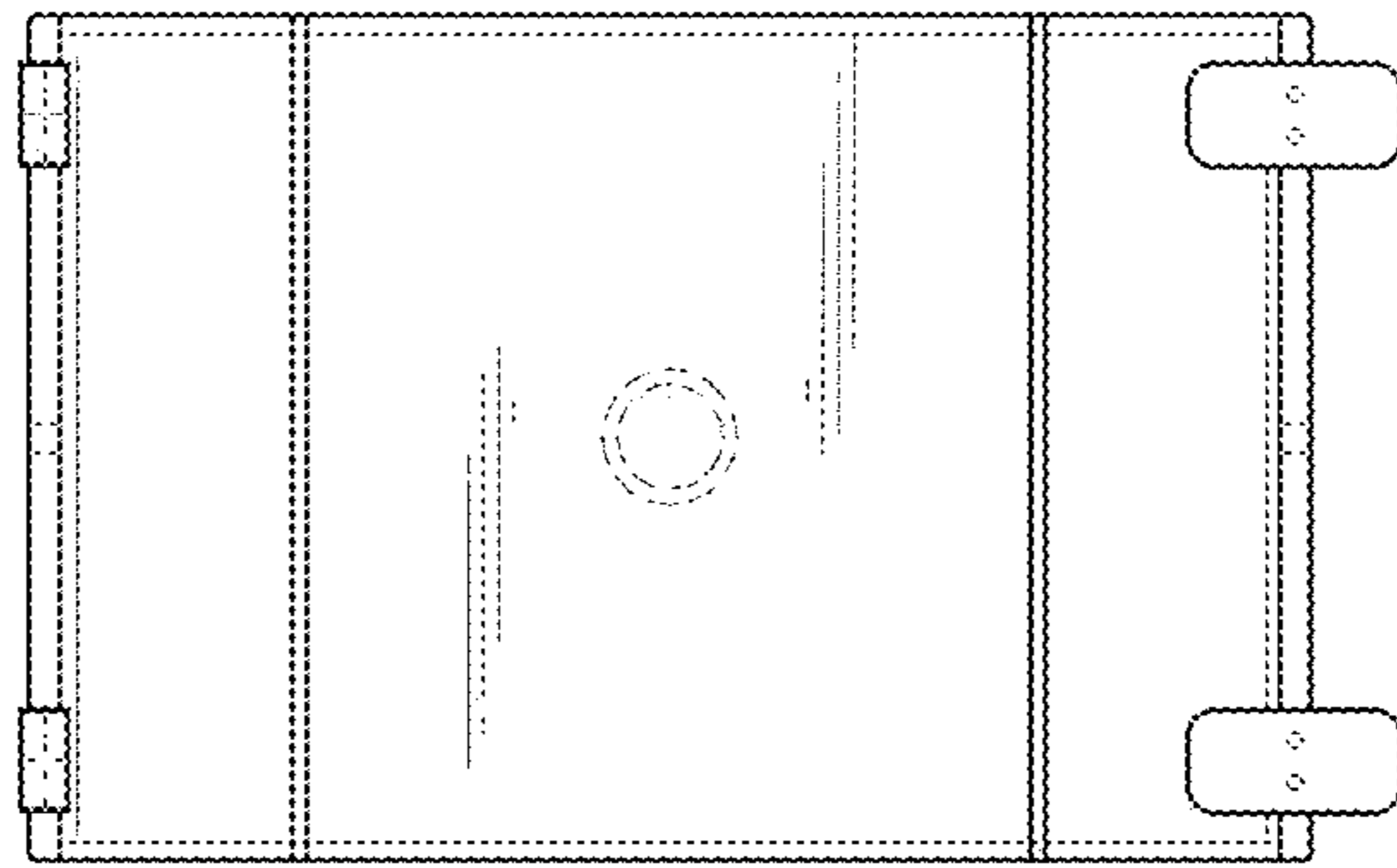


FIG. 7

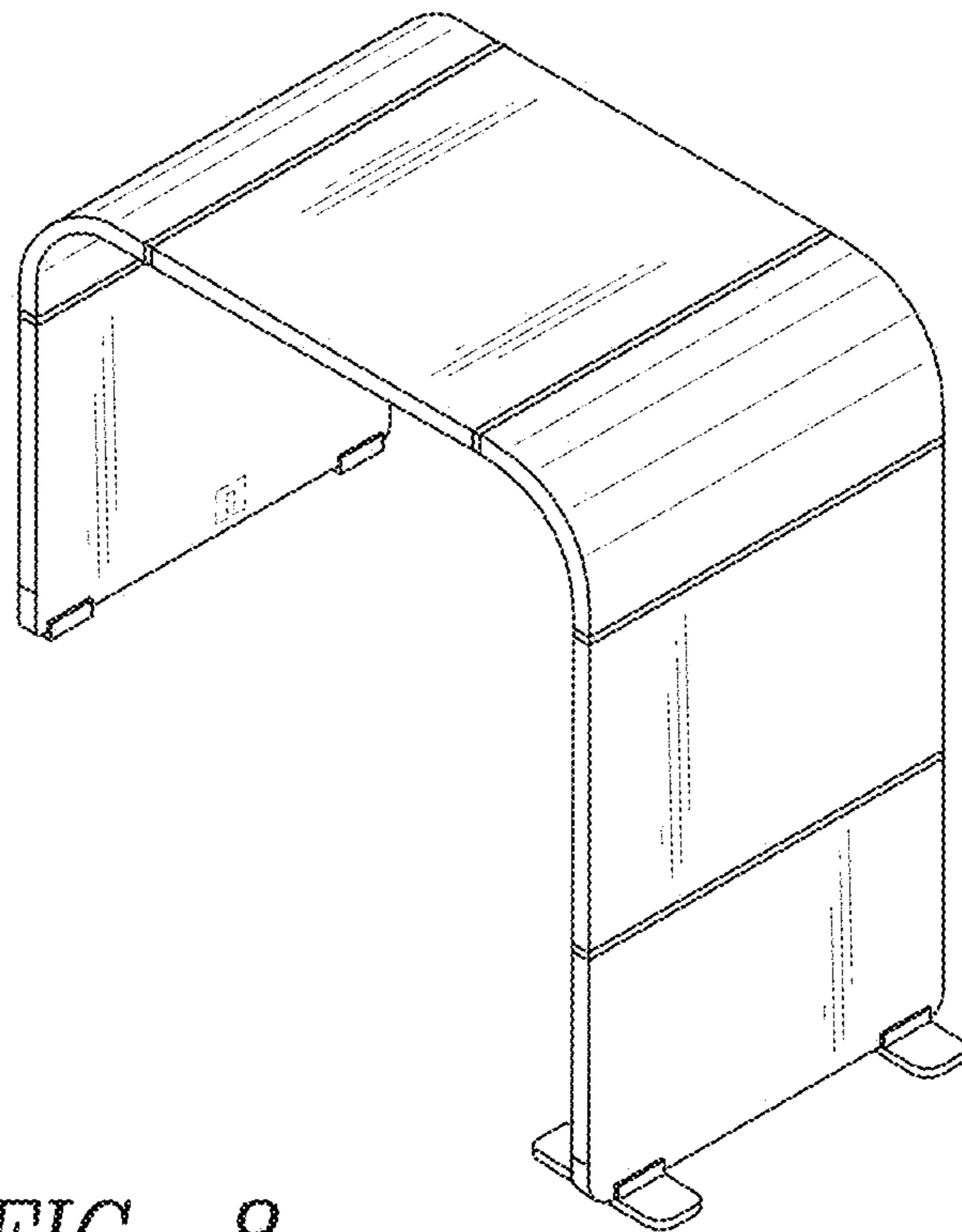


FIG. 8

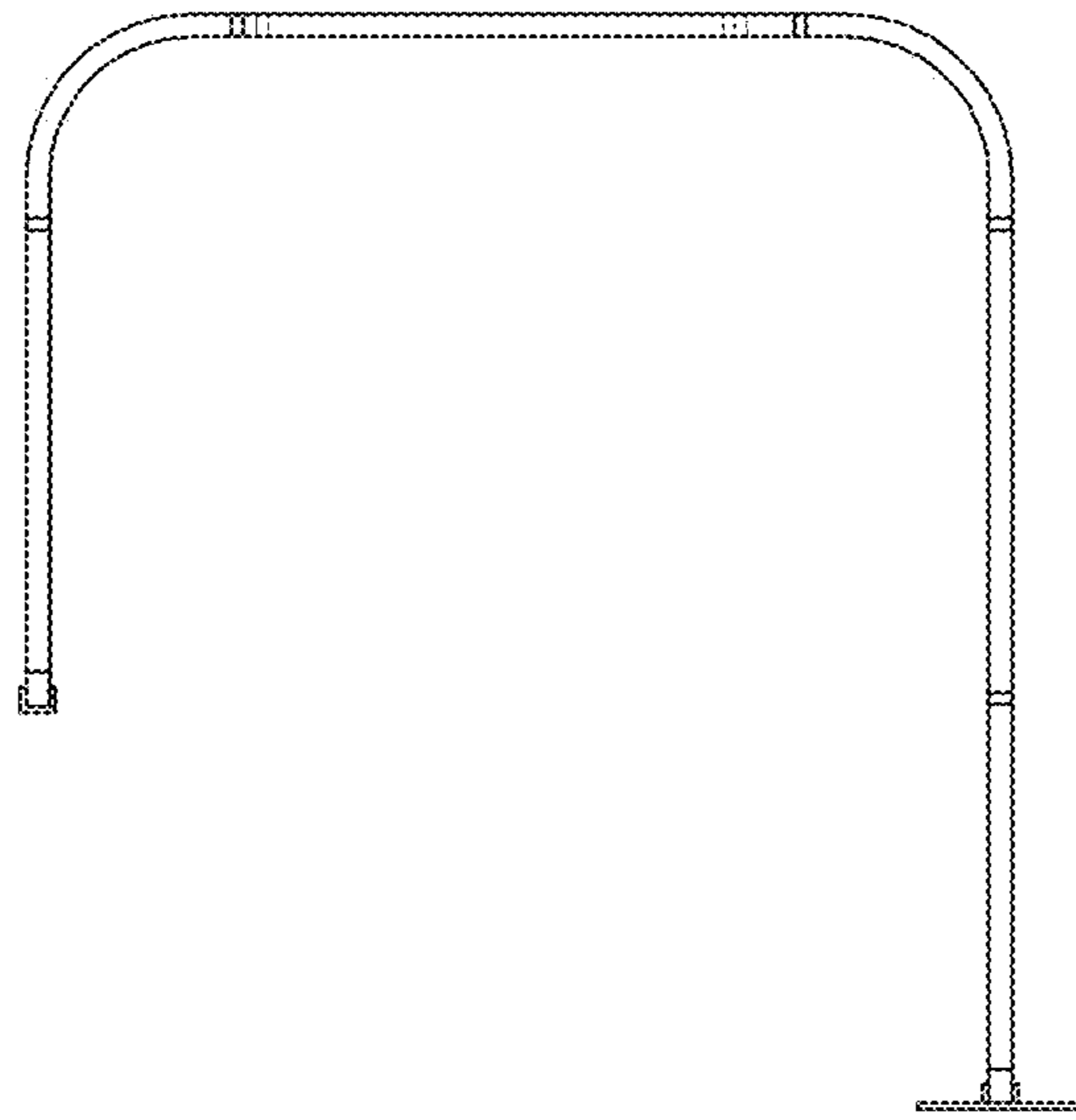


FIG. 9

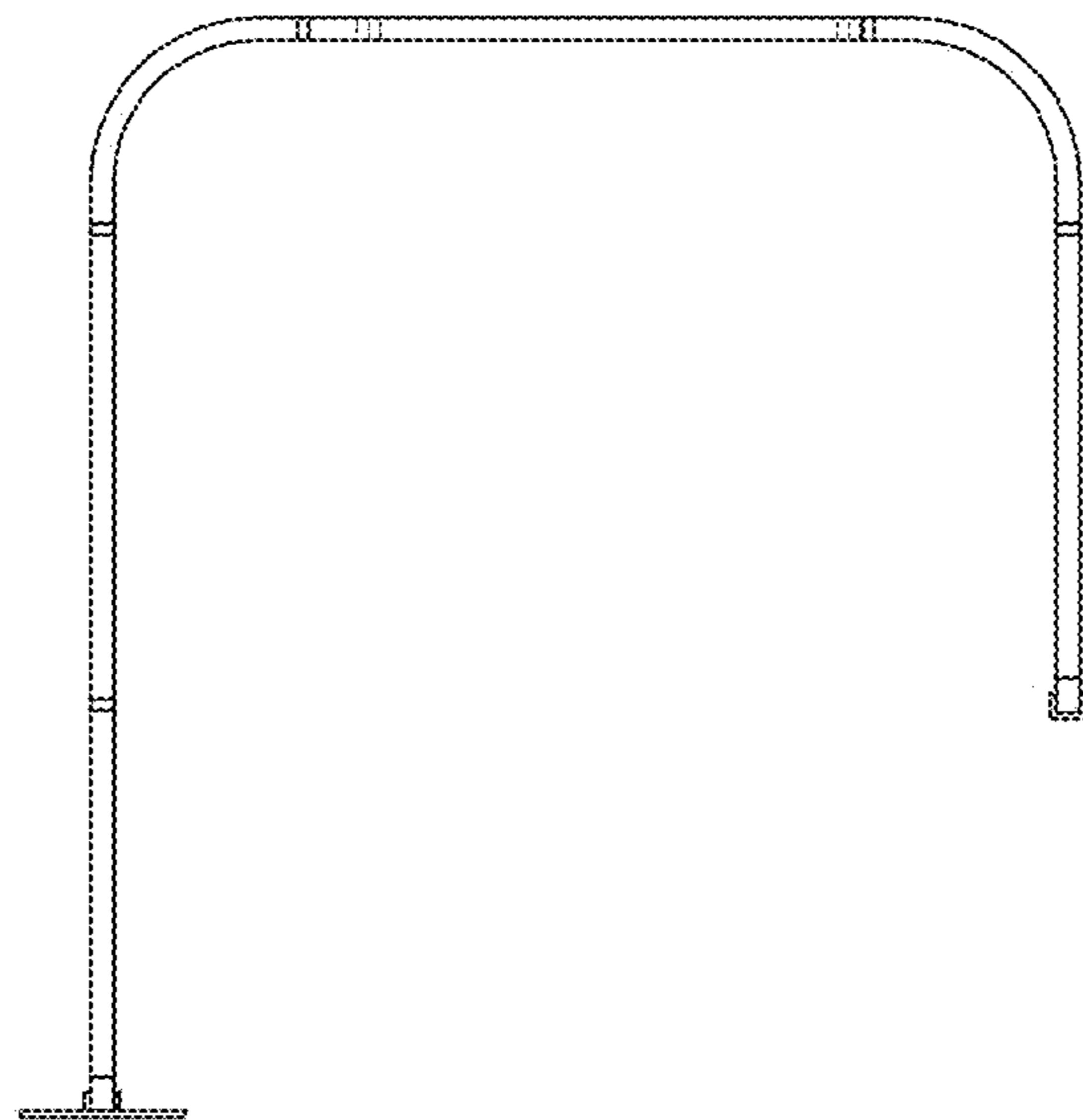


FIG. 10

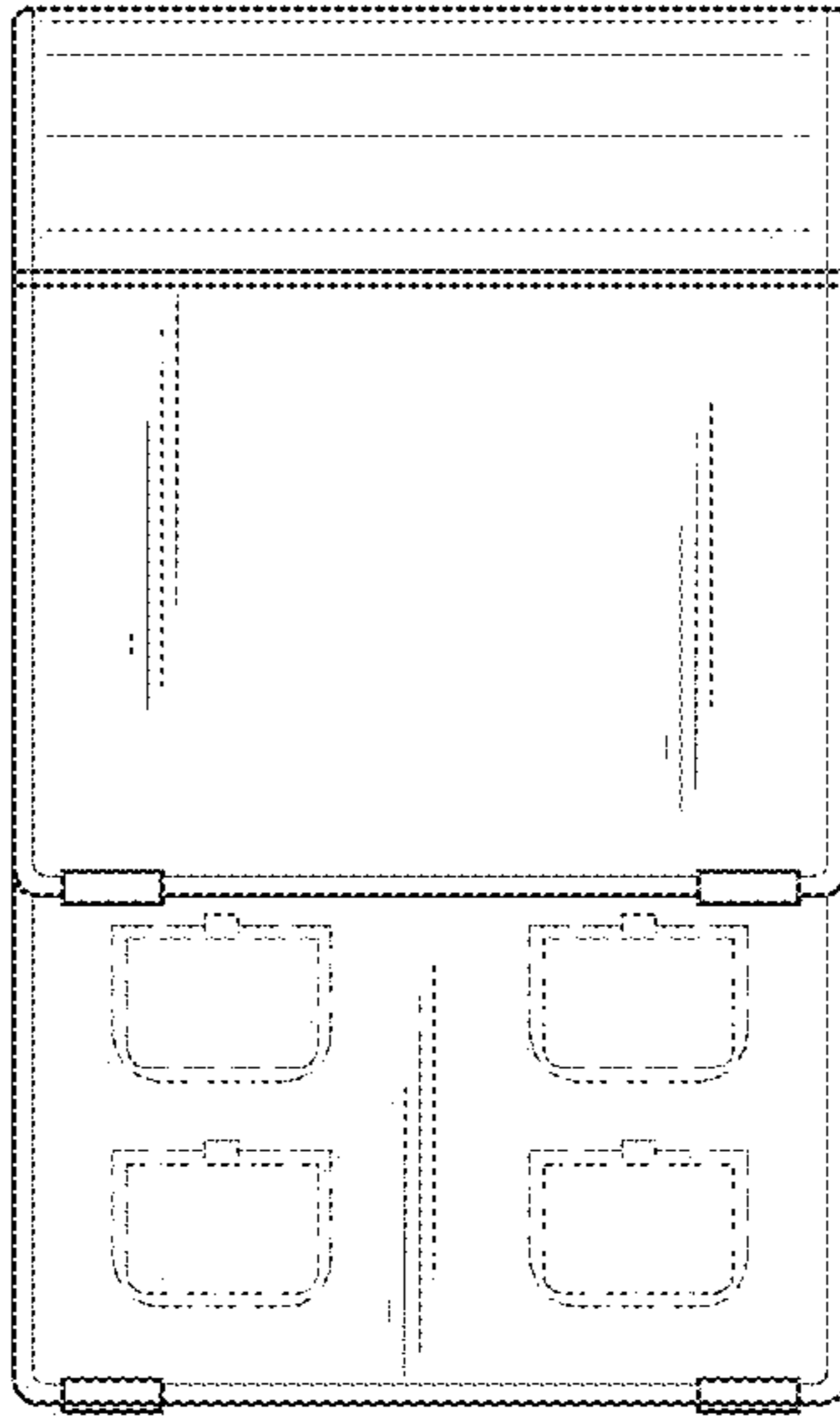


FIG. 11

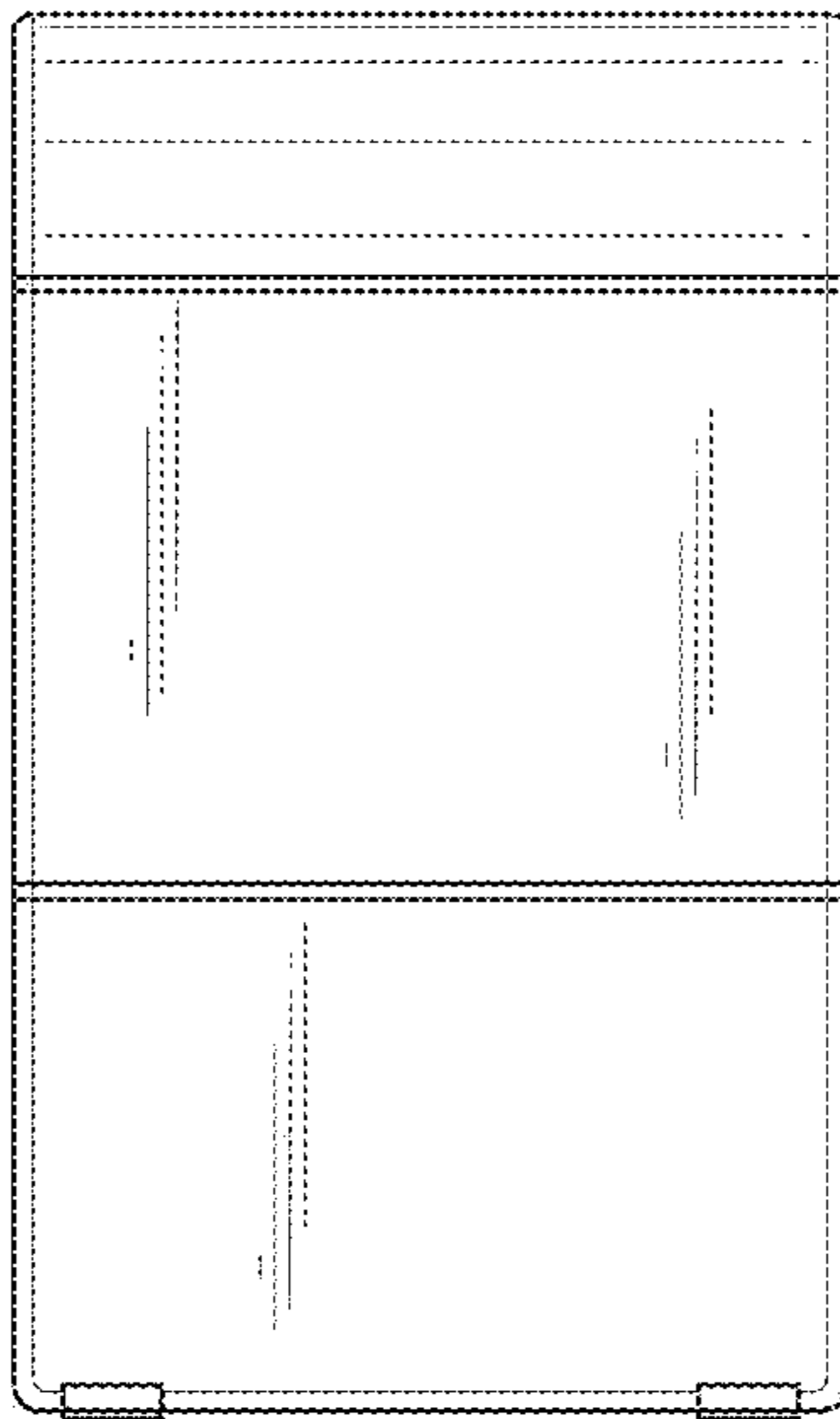


FIG. 12

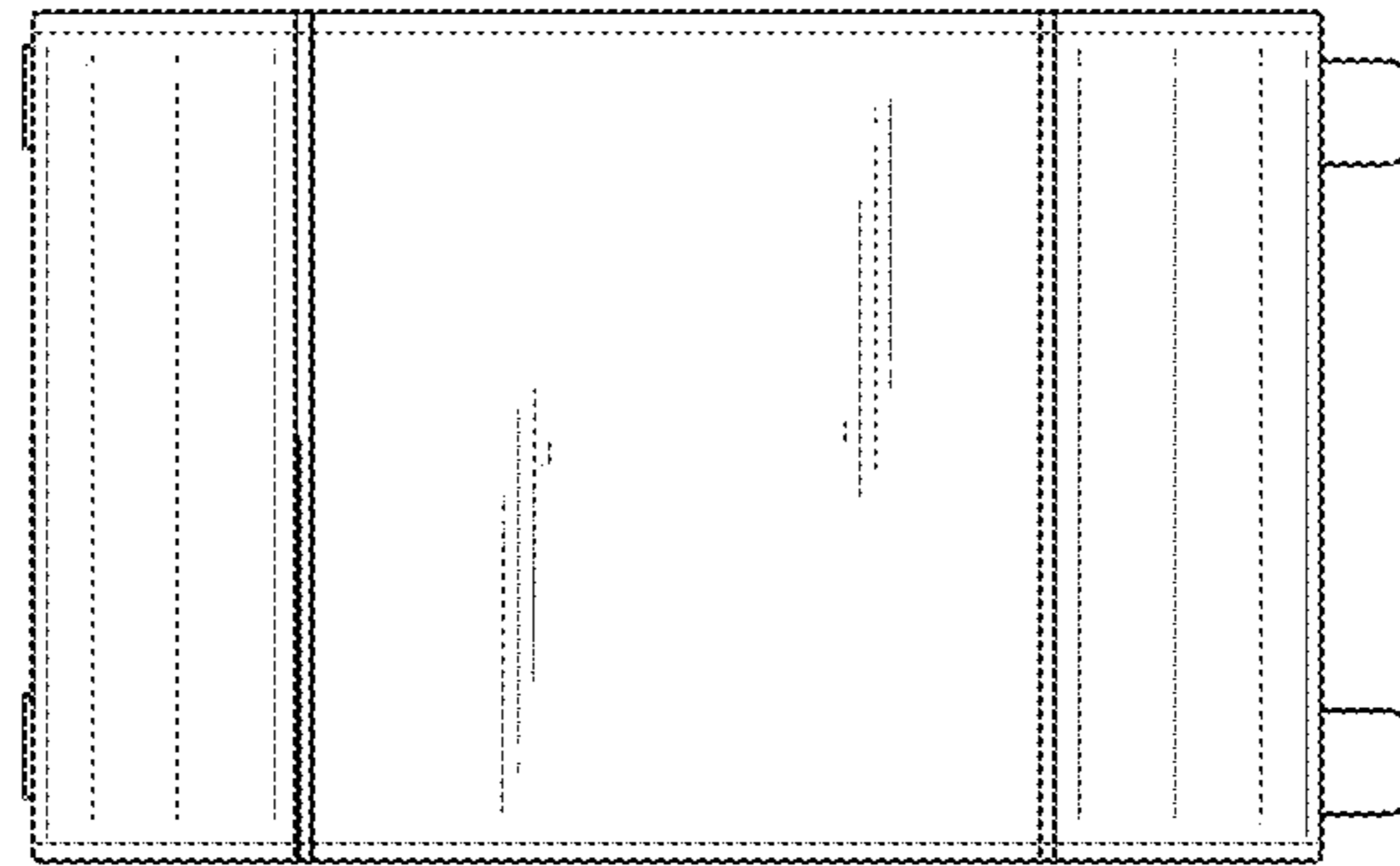


FIG. 13

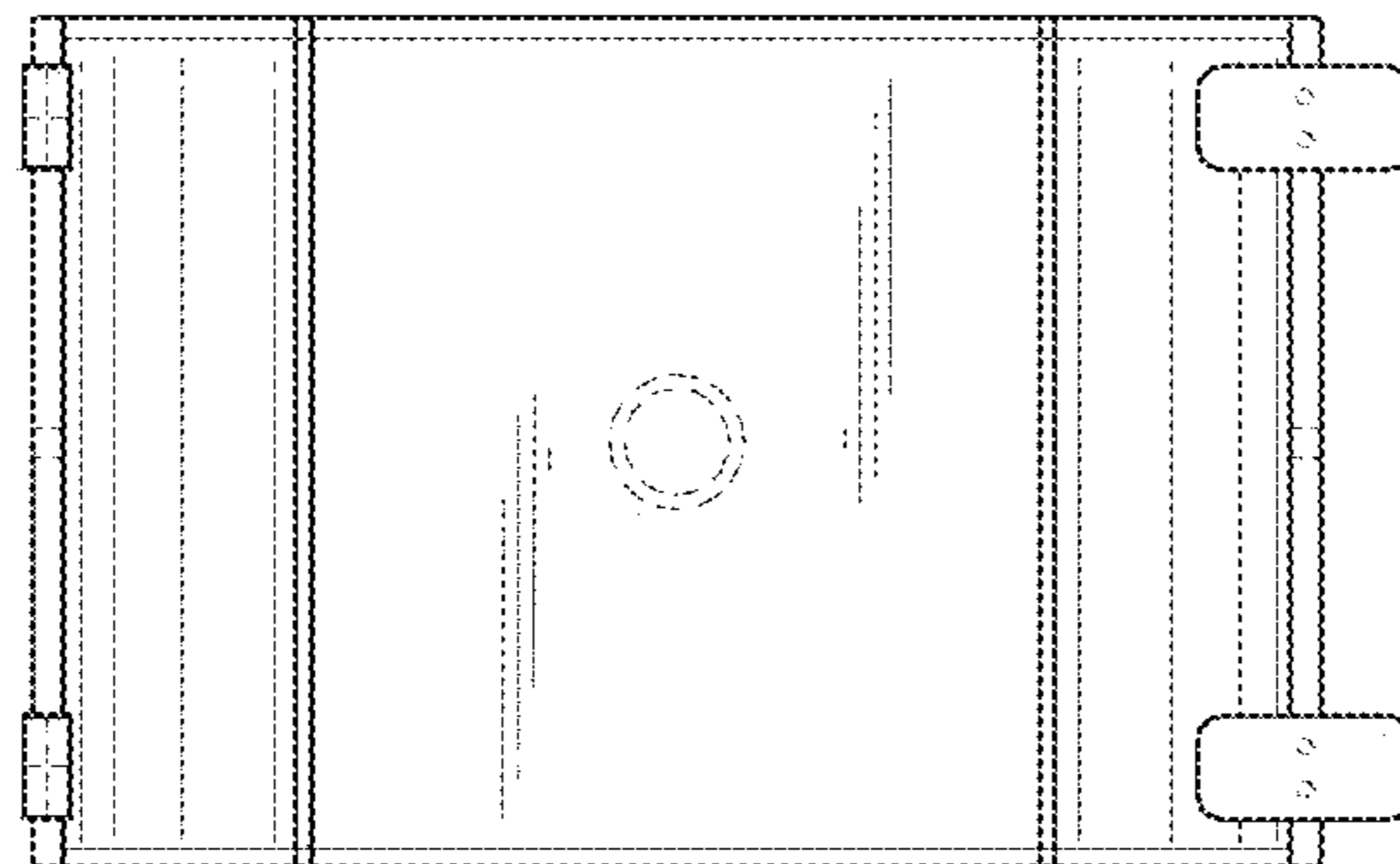


FIG. 14