



US00D895987S

(12) **United States Design Patent**
Lloyd et al.

(10) **Patent No.:** **US D895,987 S**
(45) **Date of Patent:** **** Sep. 15, 2020**

(54) **FREESTANDING ENCLOSURE**

- (71) Applicant: **Teknion Limited**, Toronto (CA)
- (72) Inventors: **Thomas Zachary Lloyd**, London (GB);
Luke Neil Pearson, London (GB); **Leif David Holstrom**, London (GB);
Nicholas Stanley Borg Carpenter, London (GB); **Giovanni La Tona**, London (GB)
- (73) Assignee: **TEKNION LIMITED**, Toronto (CA)
- (**) Term: **15 Years**
- (21) Appl. No.: **29/607,476**
- (22) Filed: **Jun. 13, 2017**
- (51) **LOC (12) Cl.** **06-06**
- (52) **U.S. Cl.**
USPC **D6/332**
- (58) **Field of Classification Search**
USPC D6/332, 713, 714, 640, 641, 643, 648,
D6/650; D25/58

(Continued)

(56) **References Cited**

U.S. PATENT DOCUMENTS

- D304,529 S * 11/1989 Hontz D6/332
- 5,423,151 A * 6/1995 Caro E04B 2/7416
181/284

(Continued)

OTHER PUBLICATIONS

Zones Enclosures Gallery (on-line), dated Jul. 6, 2017. Retrieved from Internet Jun. 27, 2019, URL: <https://web.archive.org/web/20170706102635/https://www.teknion.com/products/galleries/zones-enclosures-gallery> (7 pages) (Year: 2017).*

Primary Examiner — Kimberly Barnes
(74) *Attorney, Agent, or Firm* — Bereskin & Parr LLP/S.E.N.C.R.L., s.r.l.

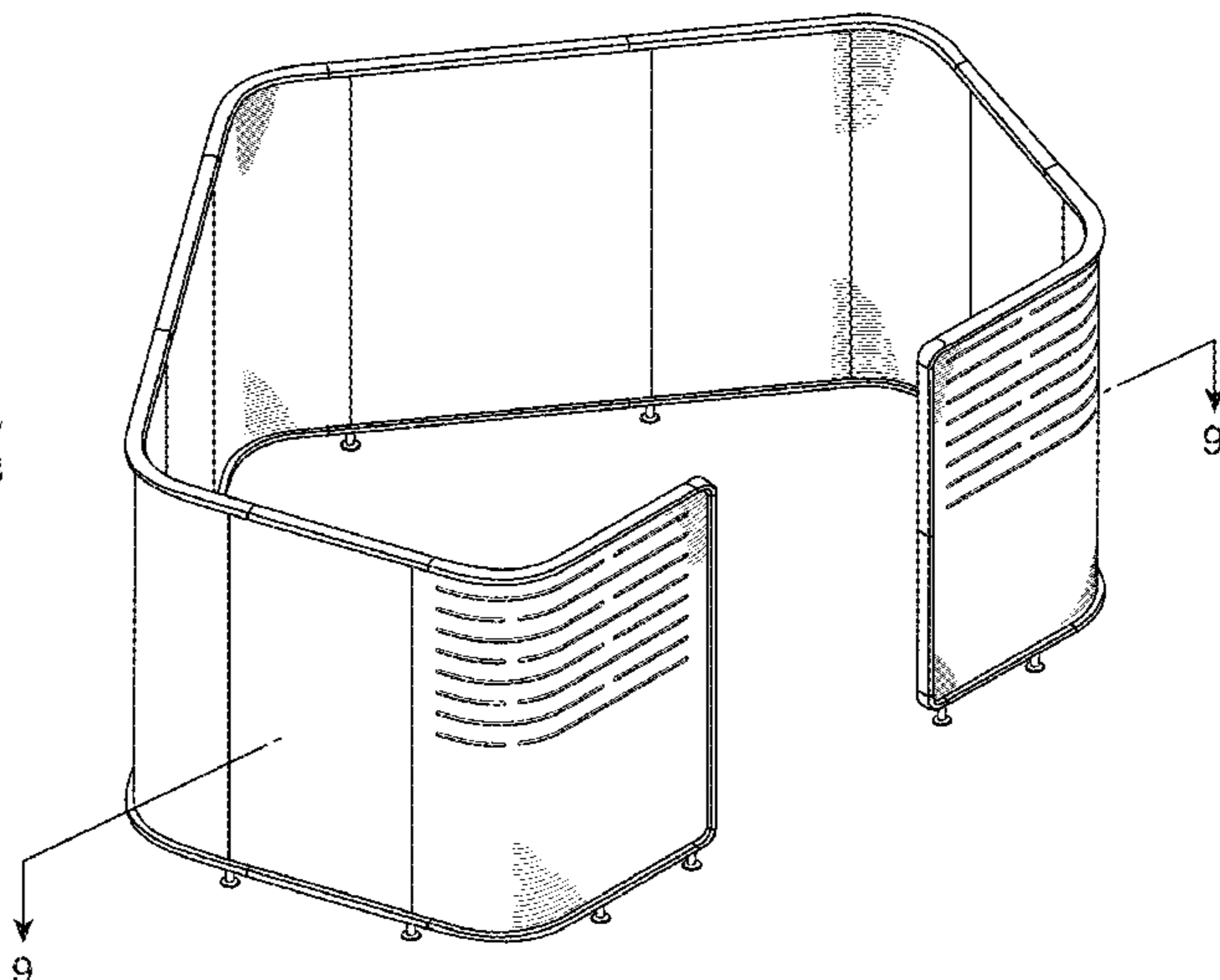
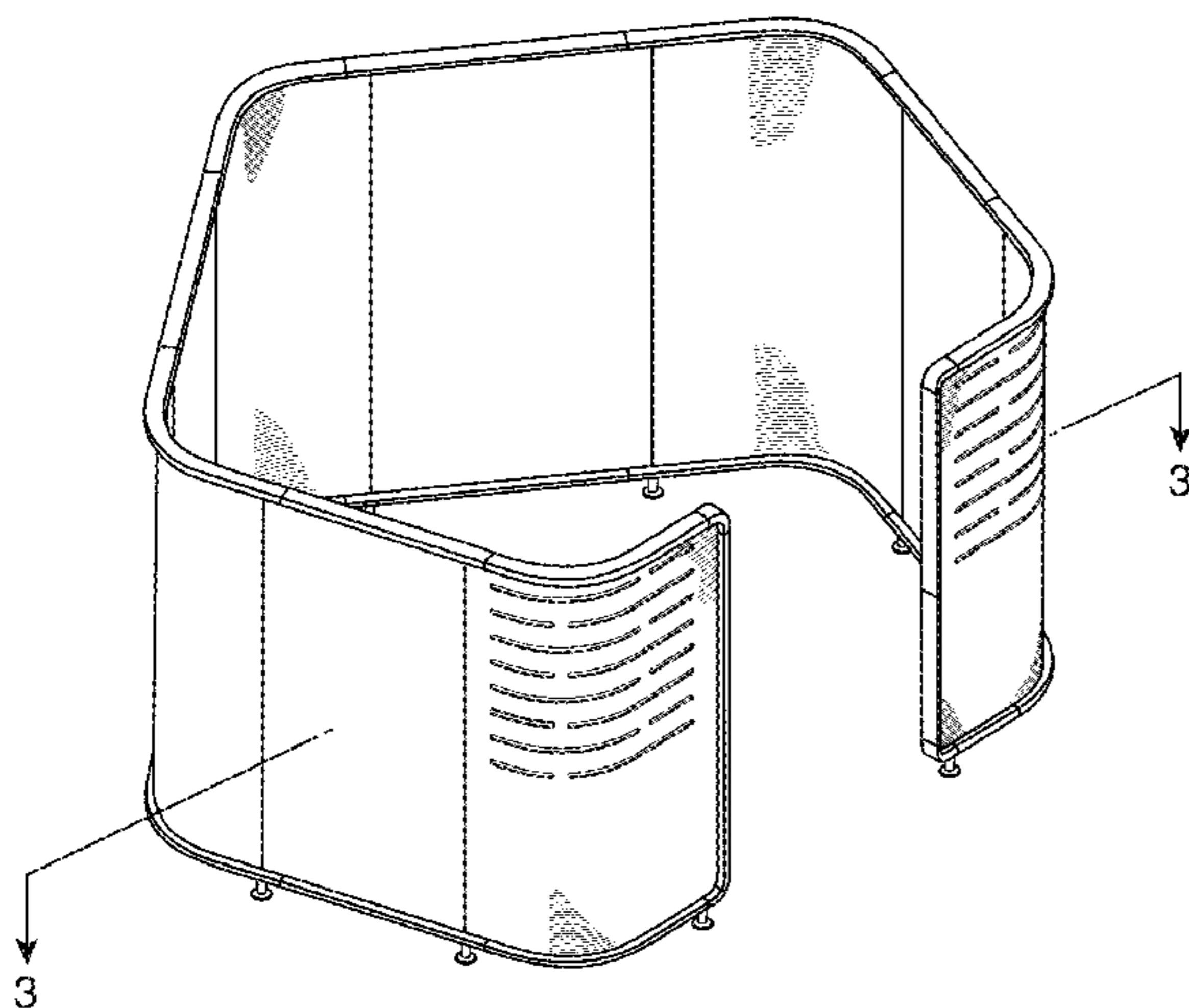
(57) **CLAIM**

We claim the ornamental design for a freestanding enclosure, as shown and described.

DESCRIPTION

FIG. 1 is a front perspective view of a first embodiment of a freestanding enclosure in accordance with our new design; FIG. 2 is a top view thereof; FIG. 3 is a cross-sectional view taken along line 3-3 of FIG. 1; FIG. 4 is front view thereof; FIG. 5 is rear view thereof; FIG. 6 is a left side view thereof, with the right side view being a mirror image; FIG. 7 is a front perspective view of a second embodiment of our new design; FIG. 8 is a top view thereof; FIG. 9 is a cross-sectional view taken along line 9-9 of FIG. 7; FIG. 10 is front view thereof; FIG. 11 is rear view thereof; FIG. 12 is a left side view thereof, with the right side view being a mirror image; FIG. 13 is a front perspective view of a third embodiment of our new design; FIG. 14 is a top view thereof; FIG. 15 is a cross-sectional view taken along line 15-15 of FIG. 13; FIG. 16 is front view thereof; FIG. 17 is rear view thereof; FIG. 18 is a left side view thereof, with the right side view being a mirror image; FIG. 19 is a front perspective view of a fourth embodiment of our new design; FIG. 20 is a top view thereof; FIG. 21 is a cross-sectional view taken along line 21-21 of FIG. 19; FIG. 22 is front view thereof; FIG. 23 is rear view thereof; and, FIG. 24 is a left side view thereof, with the right side view being a mirror image.

1 Claim, 24 Drawing Sheets



(58) **Field of Classification Search**

CPC E04B 2/74; E04B 2/7401; E04B 2/7405;
E04B 2/7407; E04B 2/7416; E04B
2/7433; E04B 2002/7464; E04B 2/76;
E04B 2/824; E04B 2/88; E04B 2/7425;
E04B 2/7427; E04B 2/7431; E04B
2/7409; E04B 2/7422; E04B 2002/7479;
E04B 1/84; A47B 91/02; A47B 91/022;
A47B 91/024; G10K 11/168

See application file for complete search history.

(56) **References Cited**

U.S. PATENT DOCUMENTS

D720,160 S * 12/2014 Lloyd D6/643
D727,036 S * 4/2015 Tsuchiyama D6/332
D727,637 S * 4/2015 Tsuchiyama D6/332
D728,127 S * 4/2015 Way D25/58
D732,850 S * 6/2015 Bouroullec D6/643
D740,039 S * 10/2015 Bouroullec D6/335
D740,040 S * 10/2015 Bouroullec D6/338
D758,776 S * 6/2016 McKenna D6/717
D758,777 S * 6/2016 McKenna D6/717
D774,318 S * 12/2016 Tsuchiyama D6/332
D775,865 S * 1/2017 Bouroullec D6/643
9,622,570 B1 * 4/2017 Holdredge E04B 2/7405
D795,604 S * 8/2017 Webb D6/381
D796,871 S * 9/2017 Bouroullec D6/643
D807,655 S * 1/2018 Webb D6/335
2012/0318918 A1 * 12/2012 Johnson B64D 11/06
244/118.6
2016/0280533 A1 * 9/2016 Tsuchiyama A47G 5/00

* cited by examiner

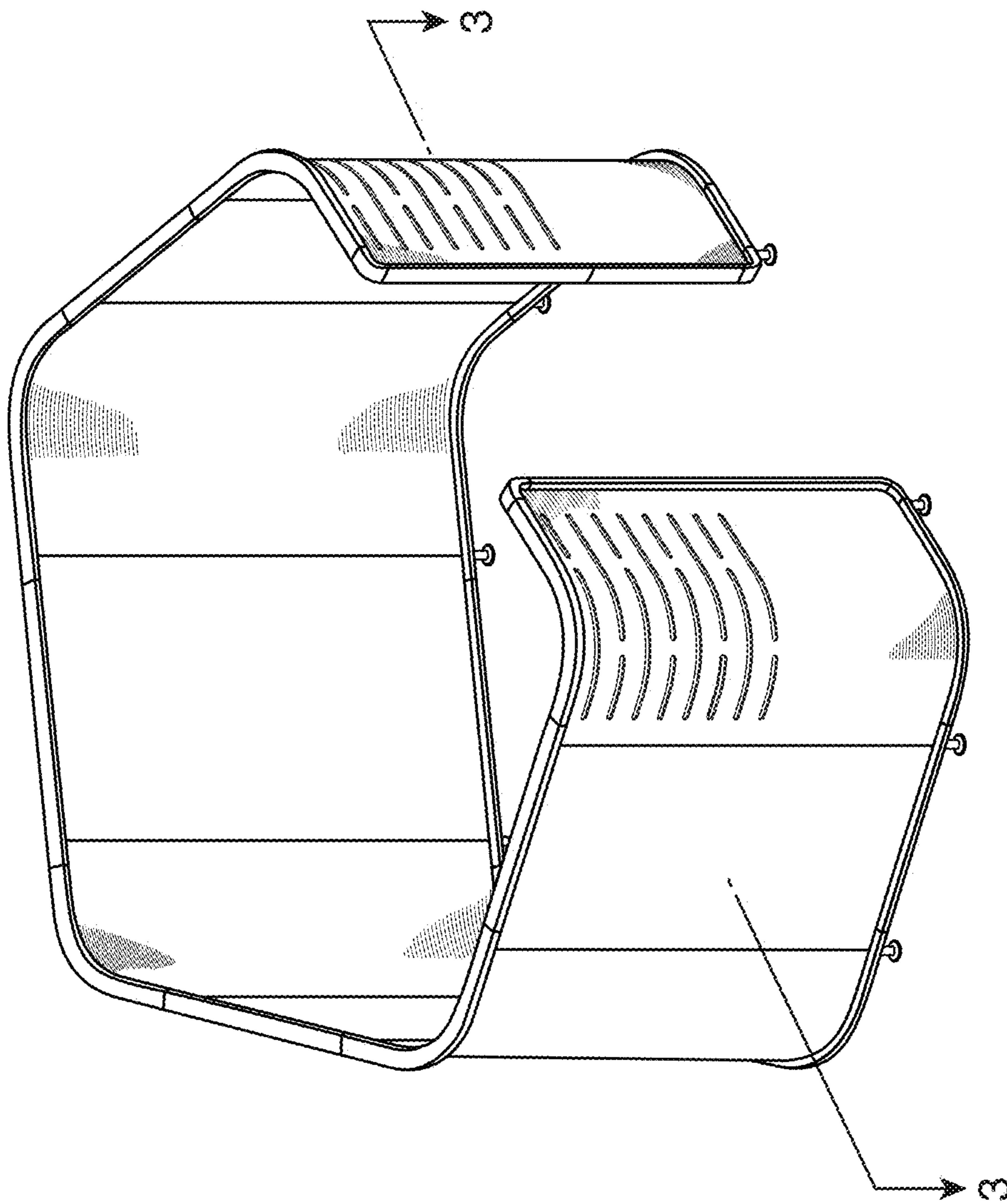


FIG. 1

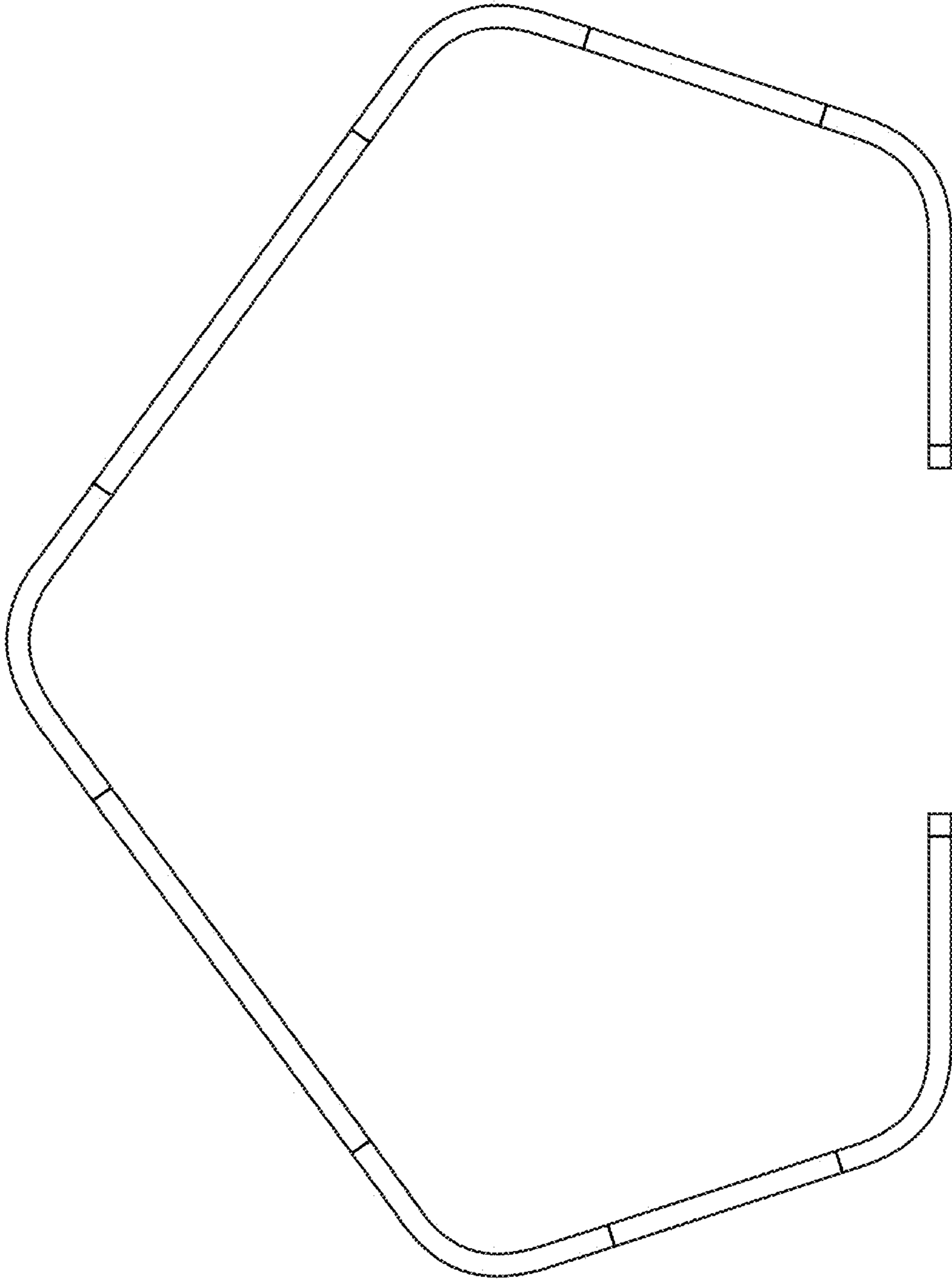


FIG. 2

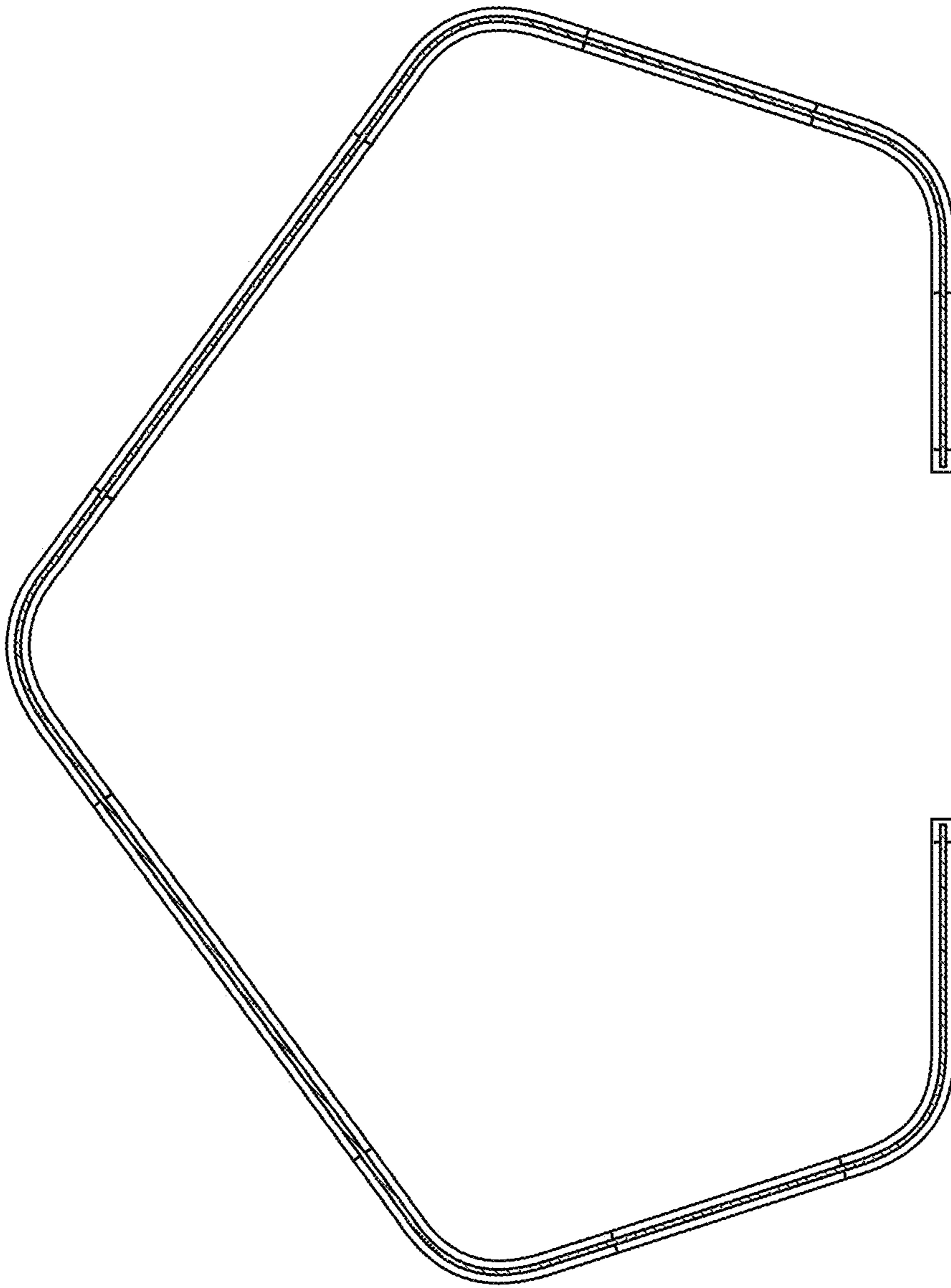


FIG. 3

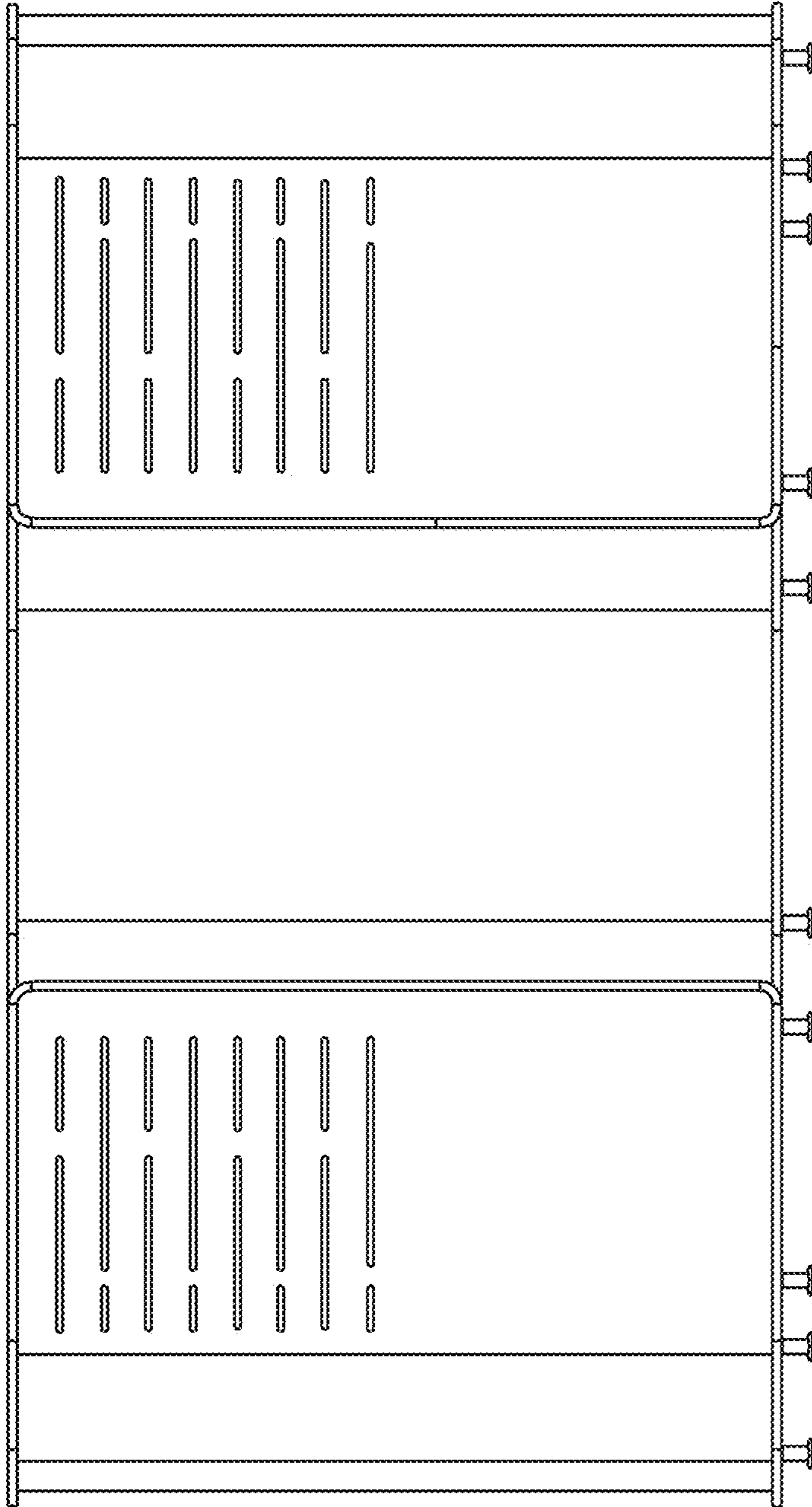


FIG. 4

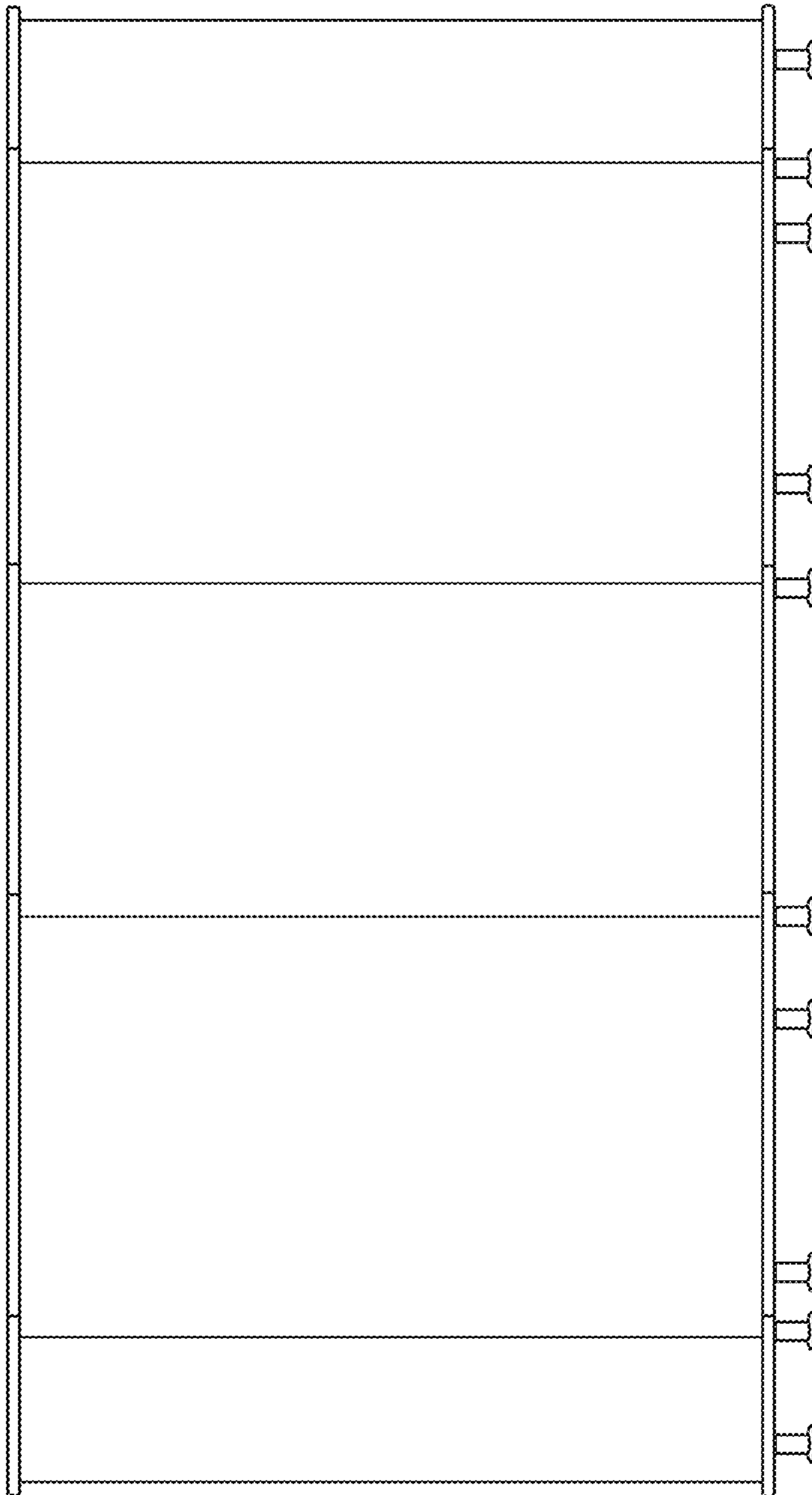


FIG. 5

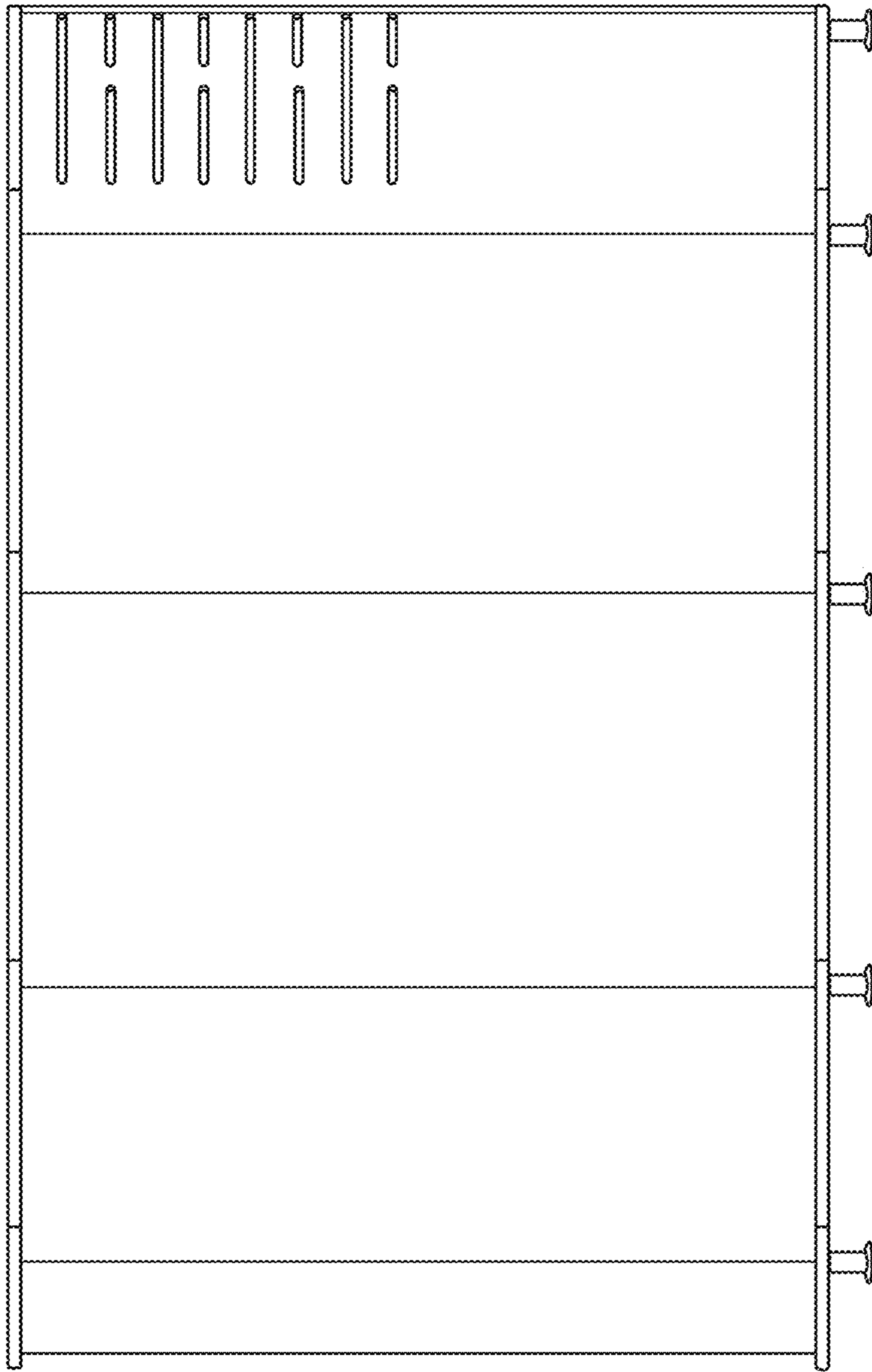


FIG. 6

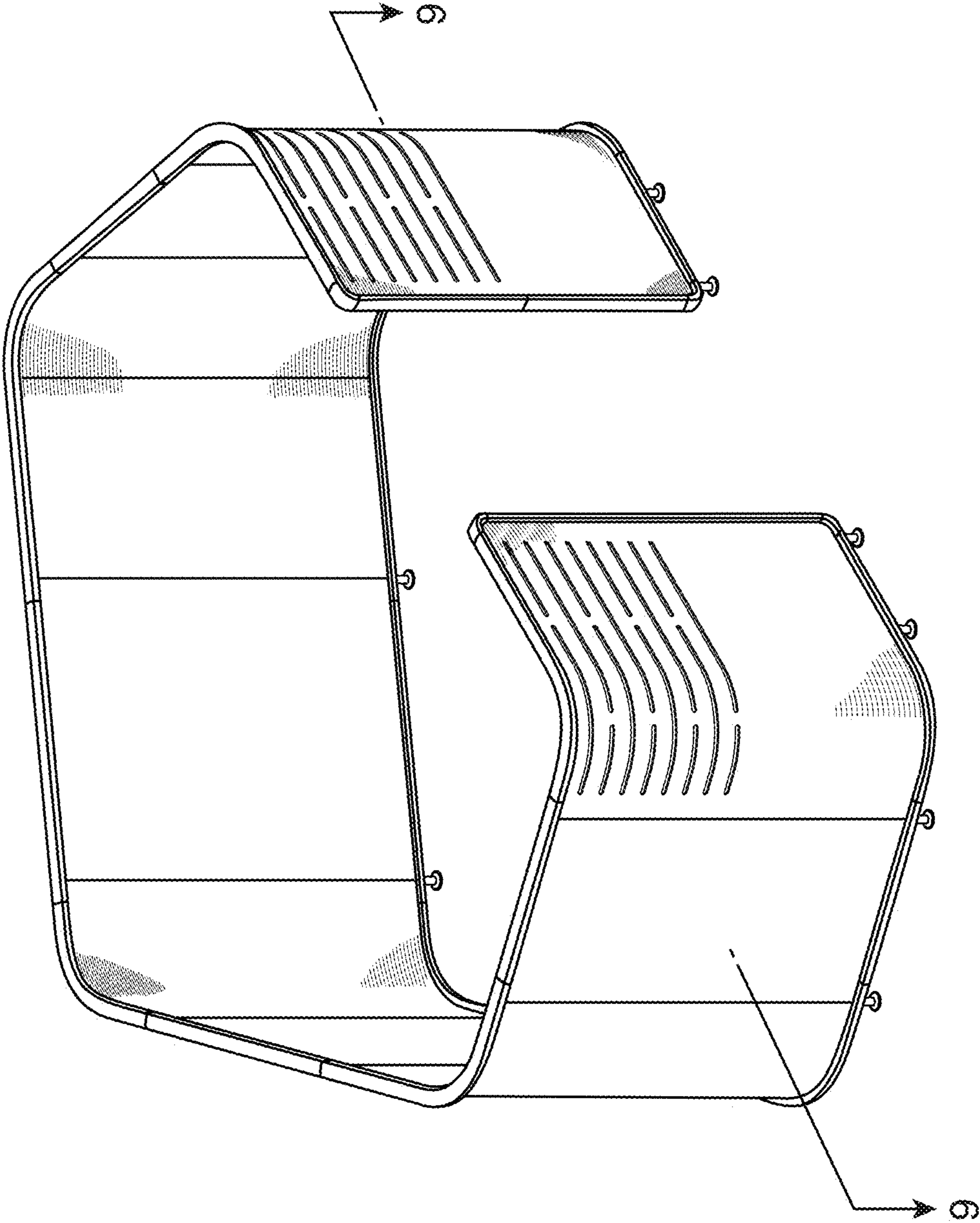


FIG. 7

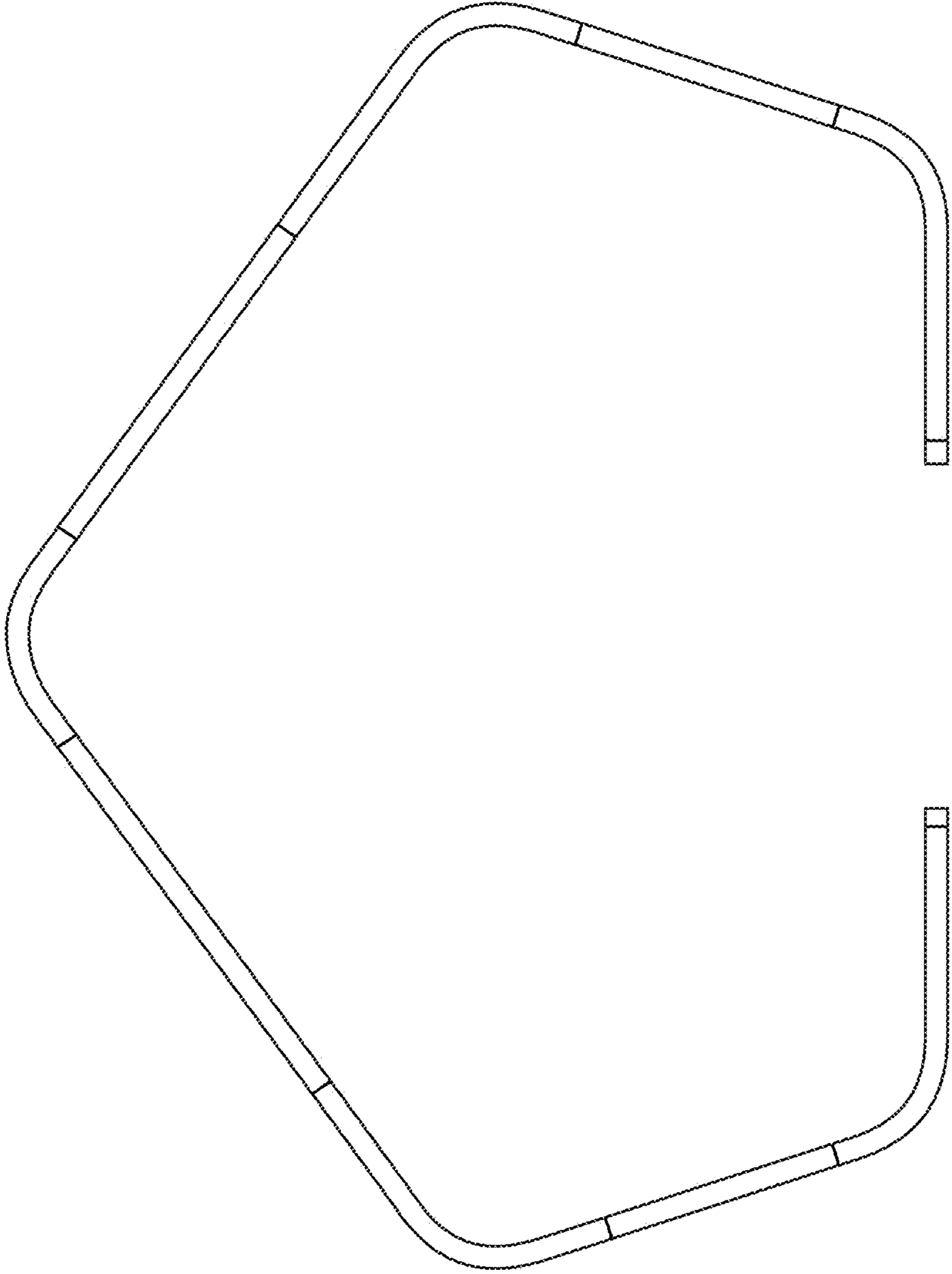


FIG. 8

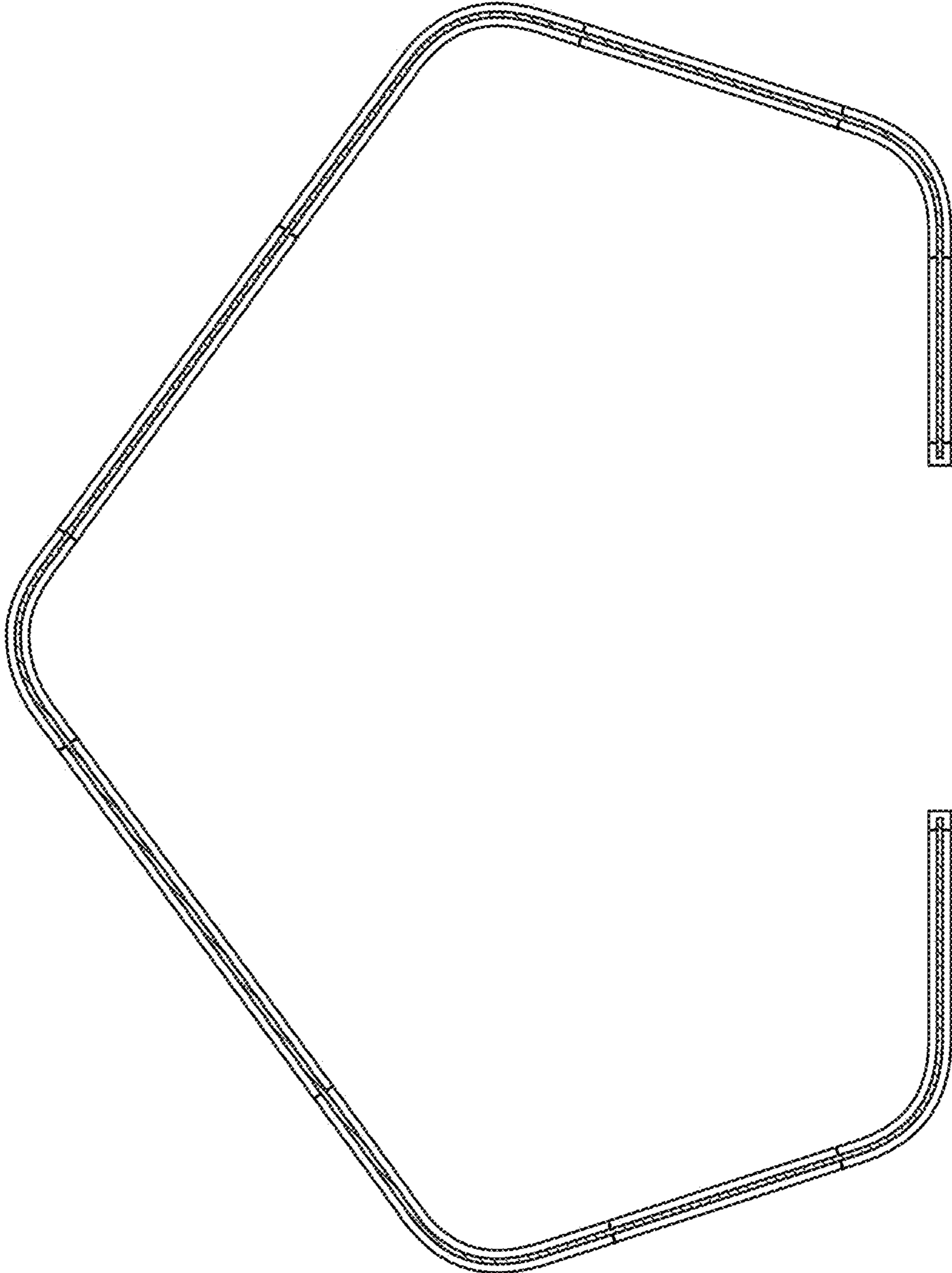


FIG. 9

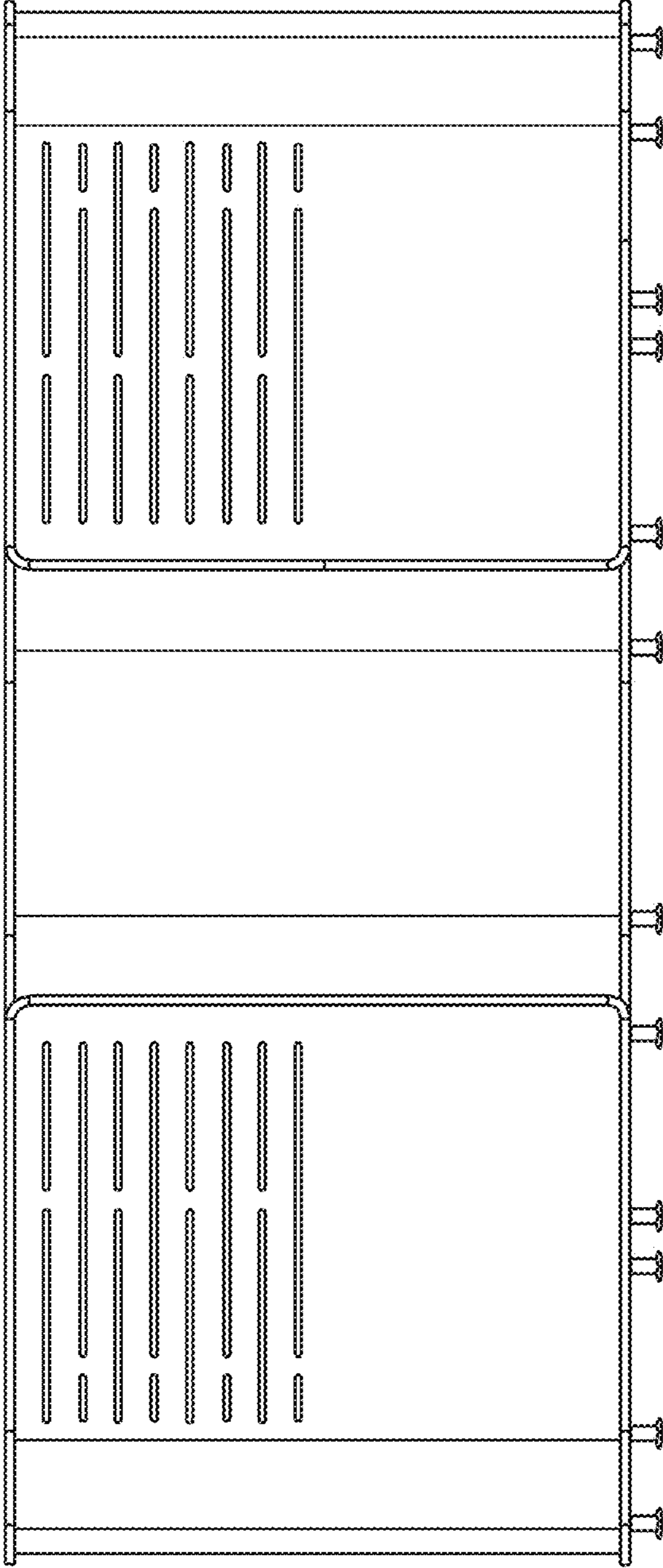


FIG. 10

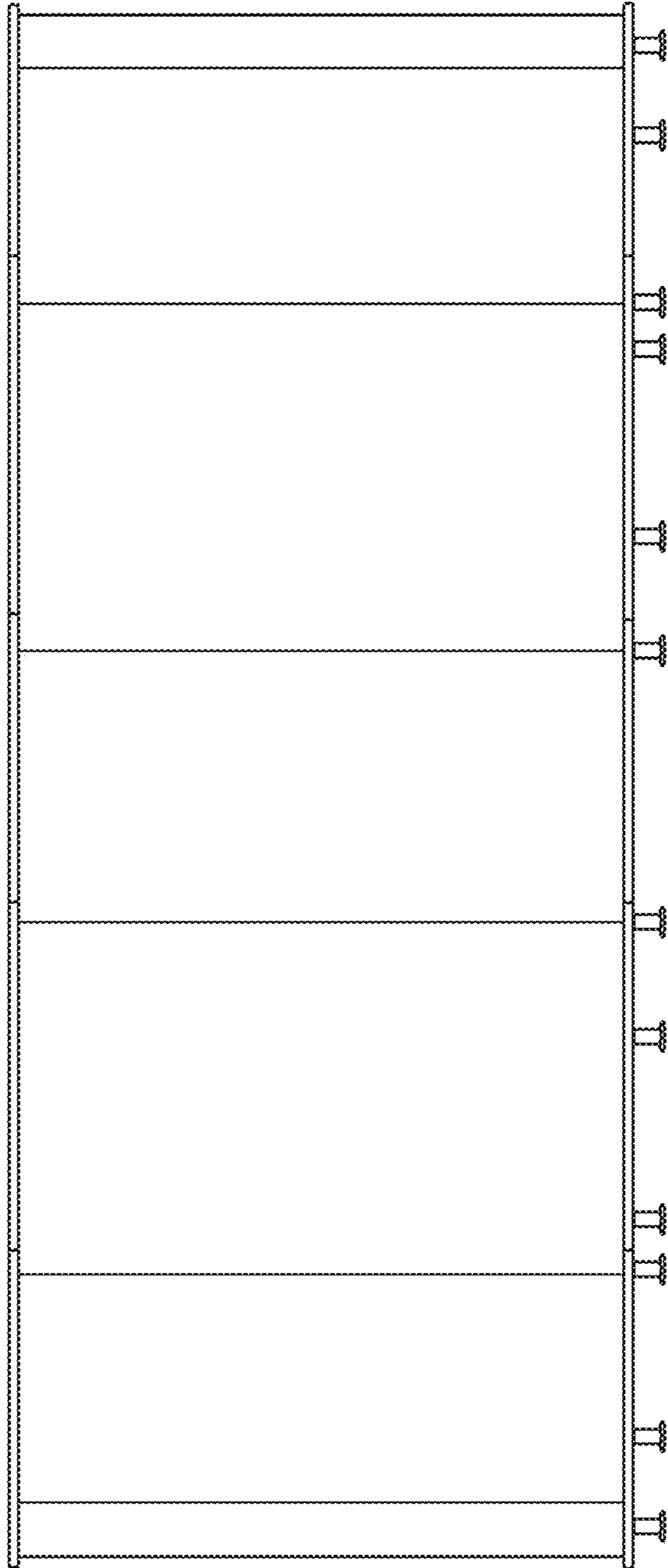


FIG. 11

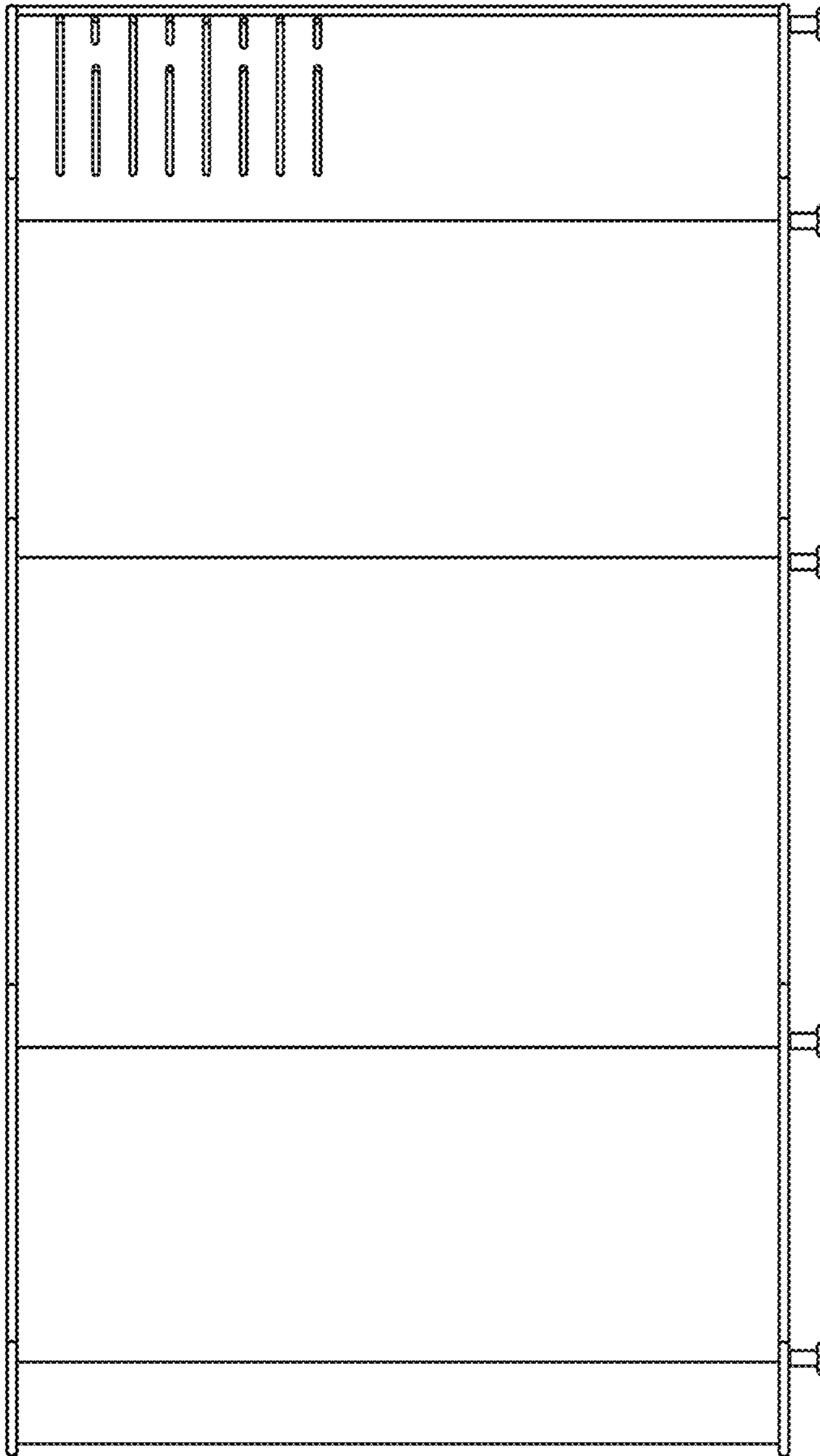


FIG. 12

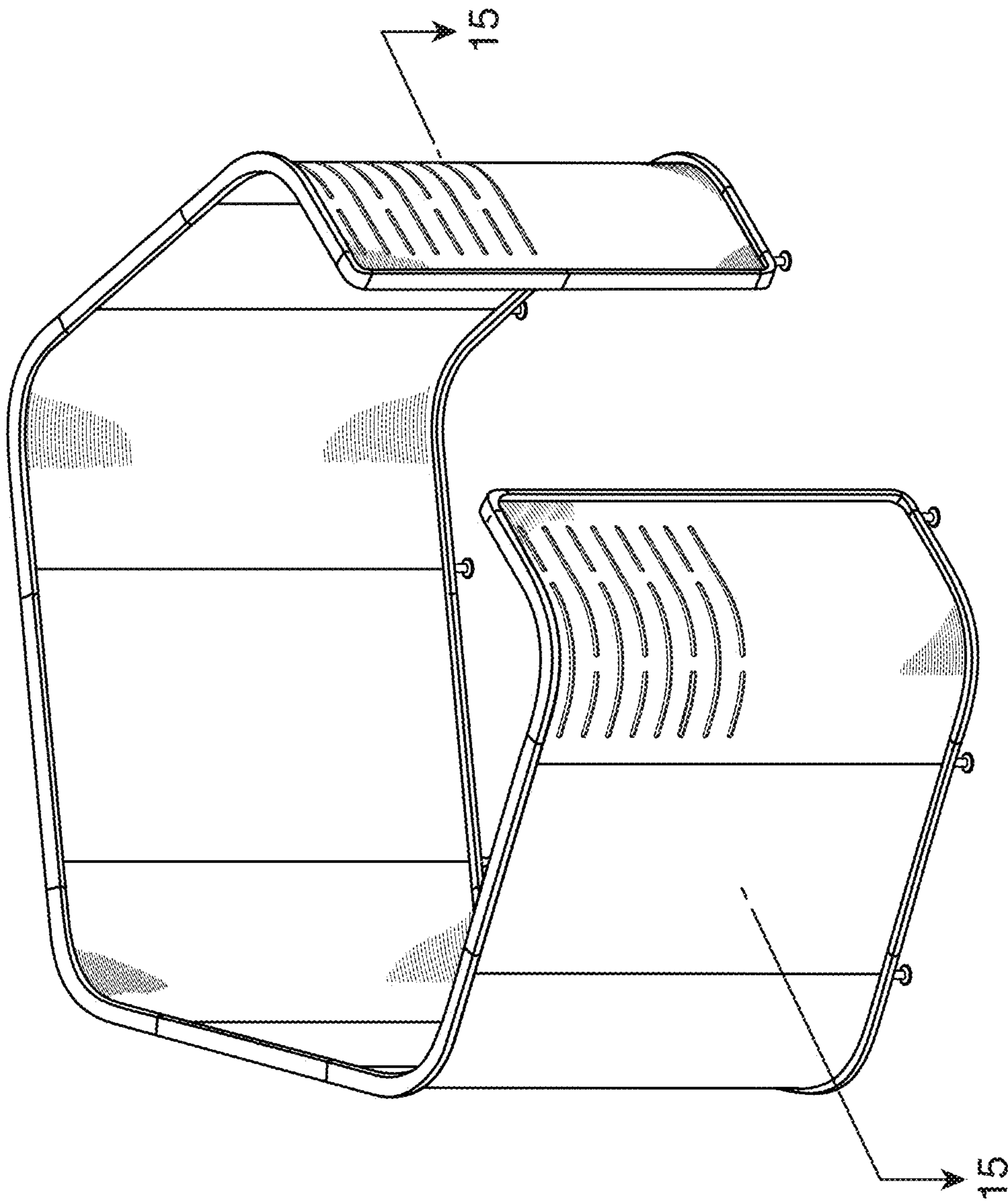


FIG. 13

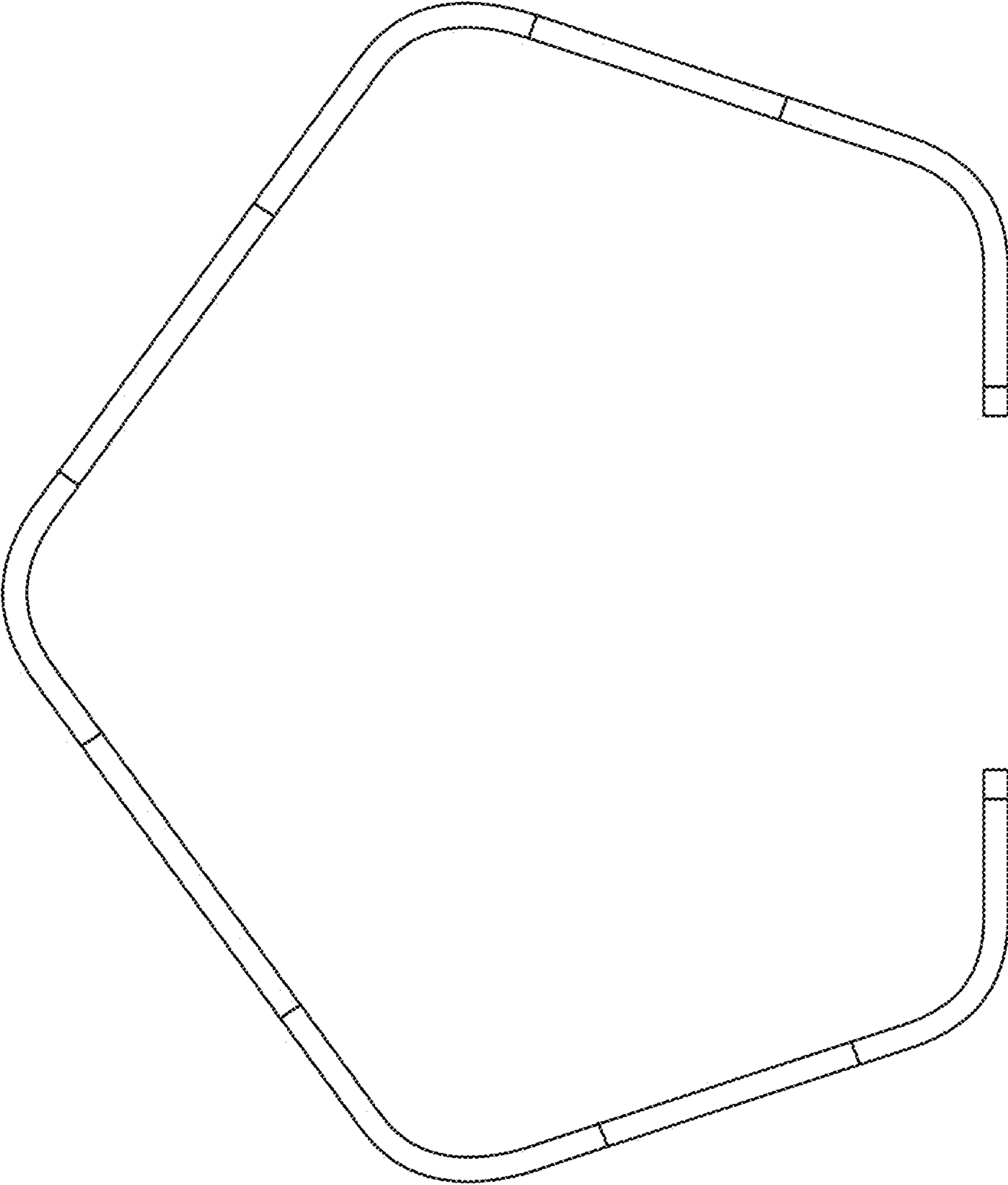


FIG. 14

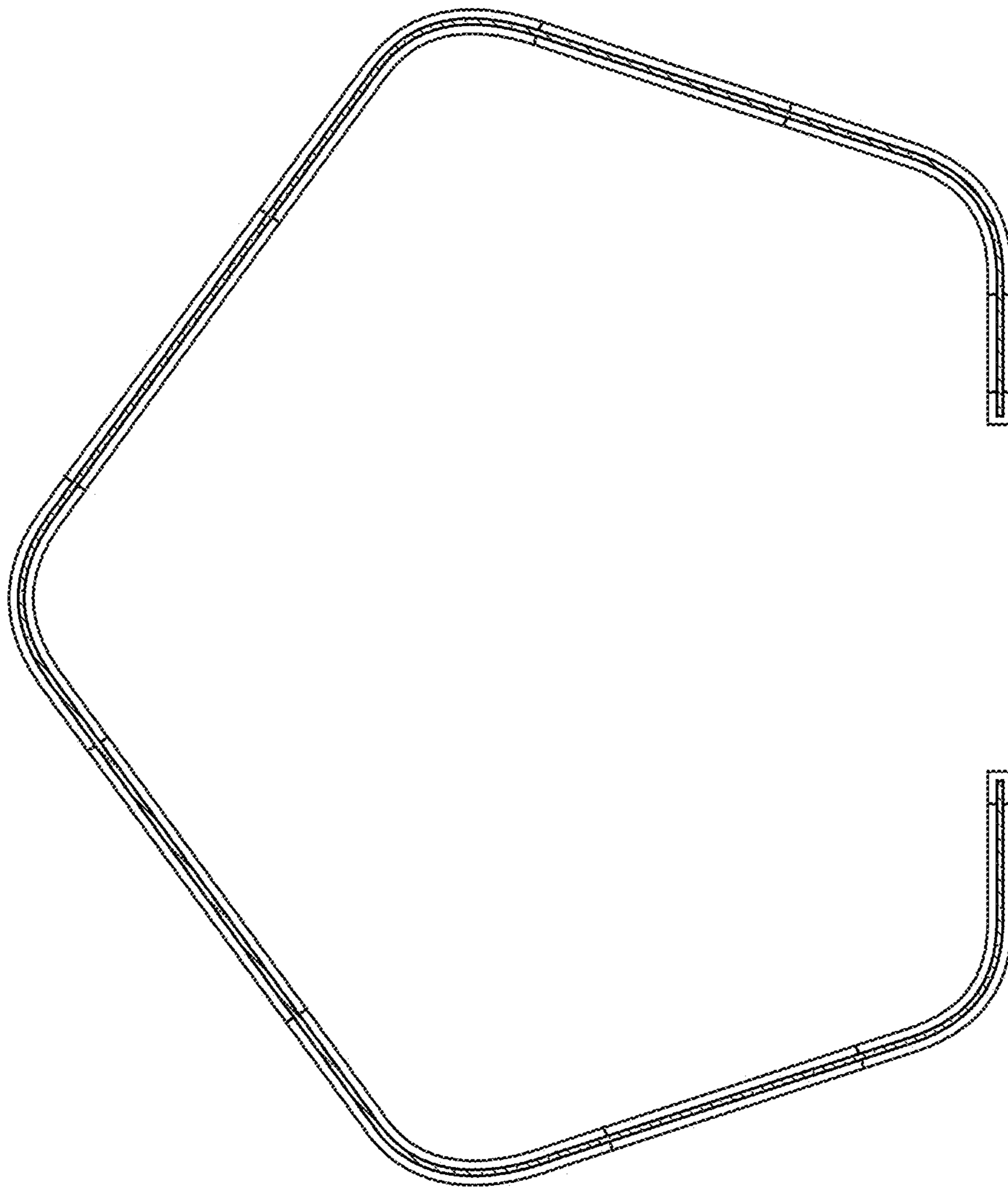


FIG. 15

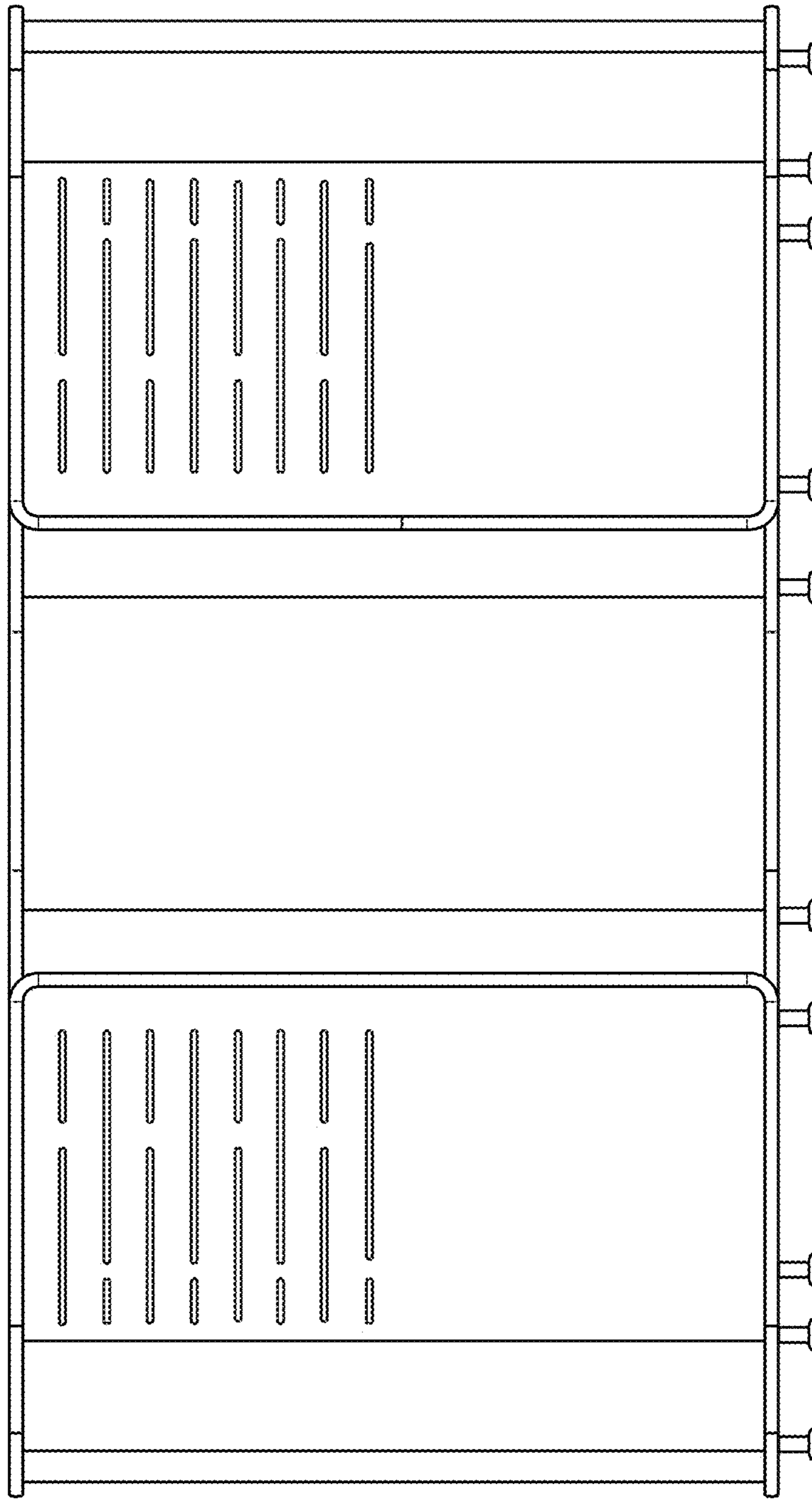


FIG. 16

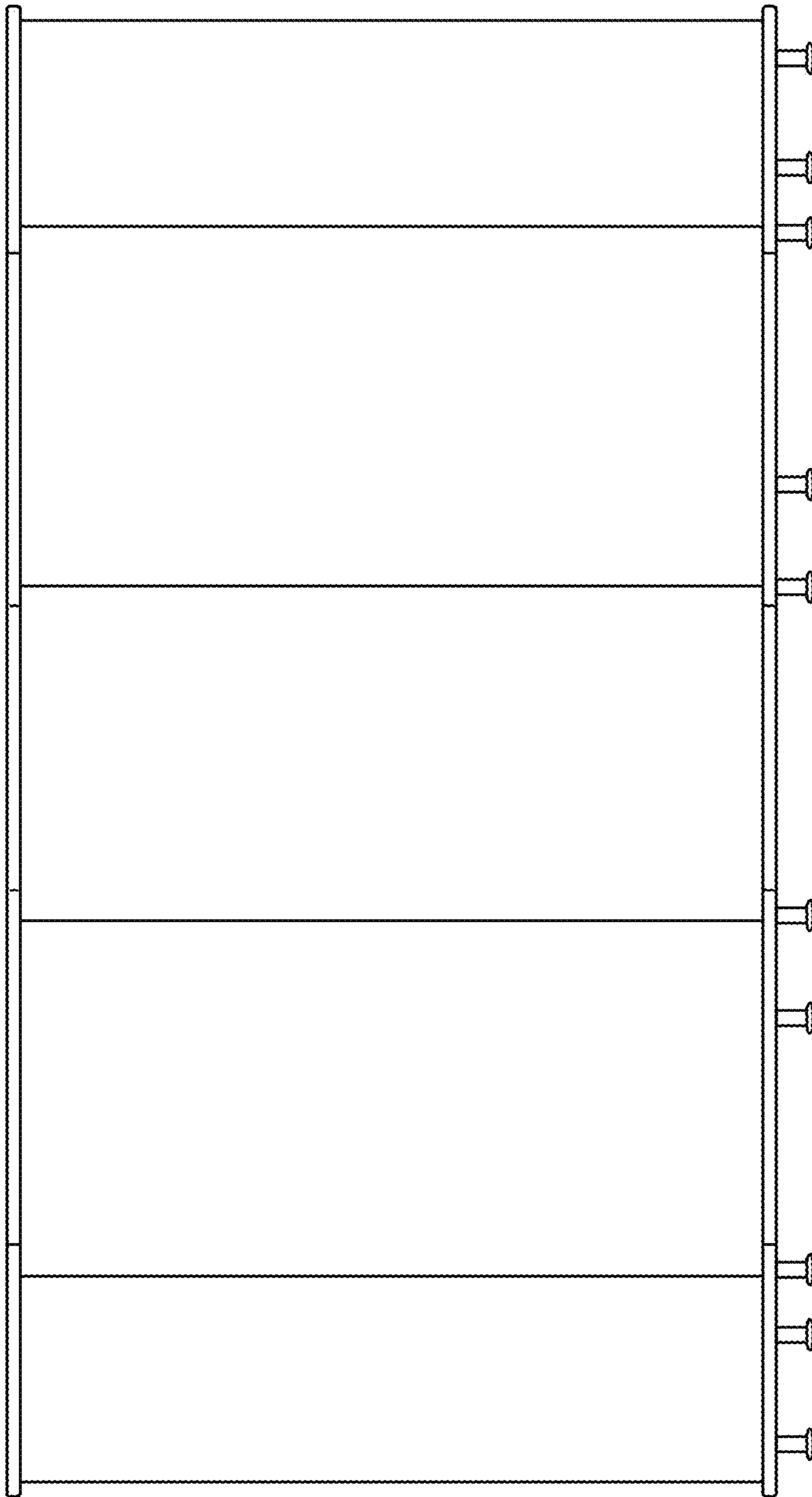


FIG. 17

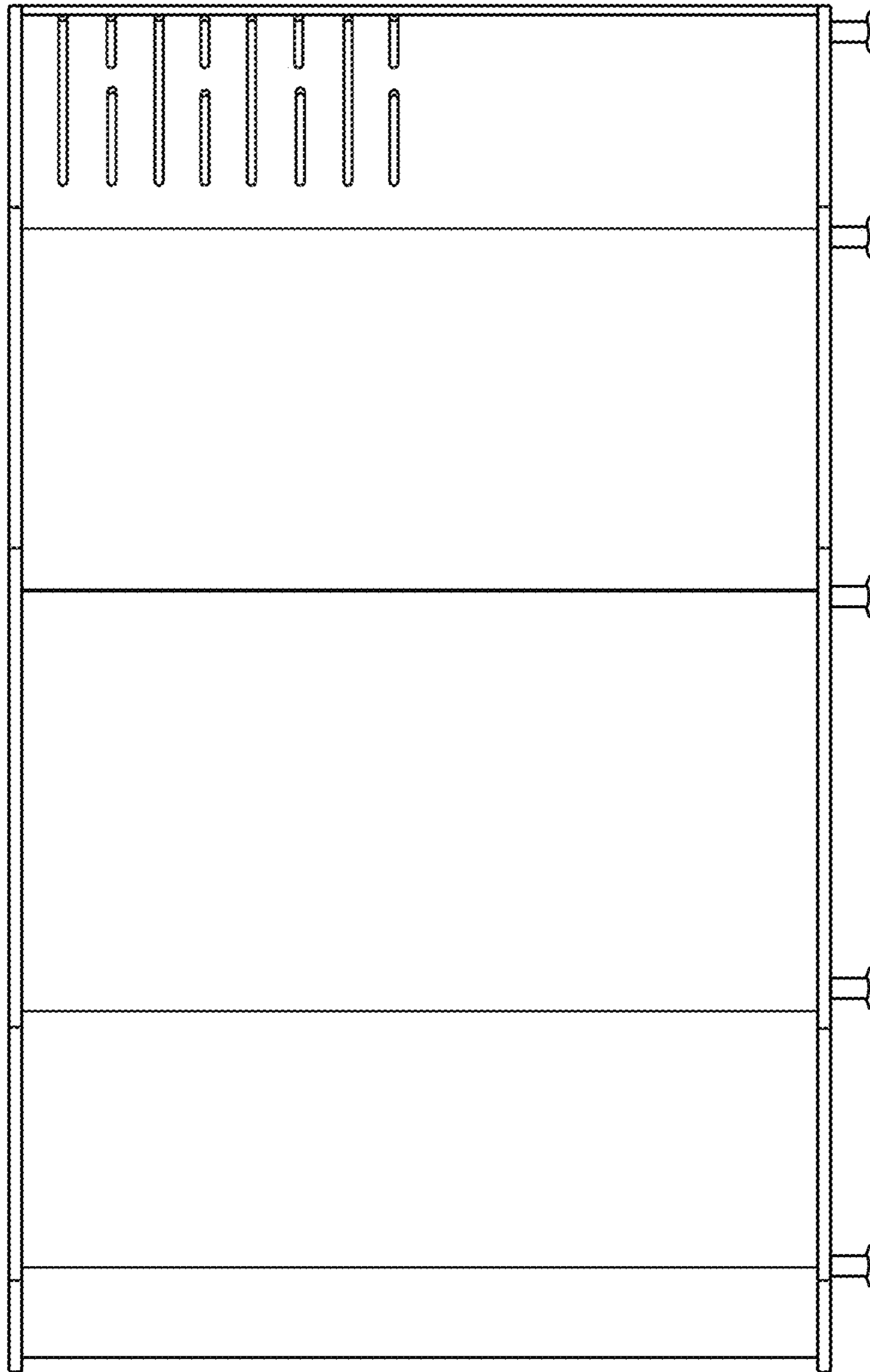


FIG. 18

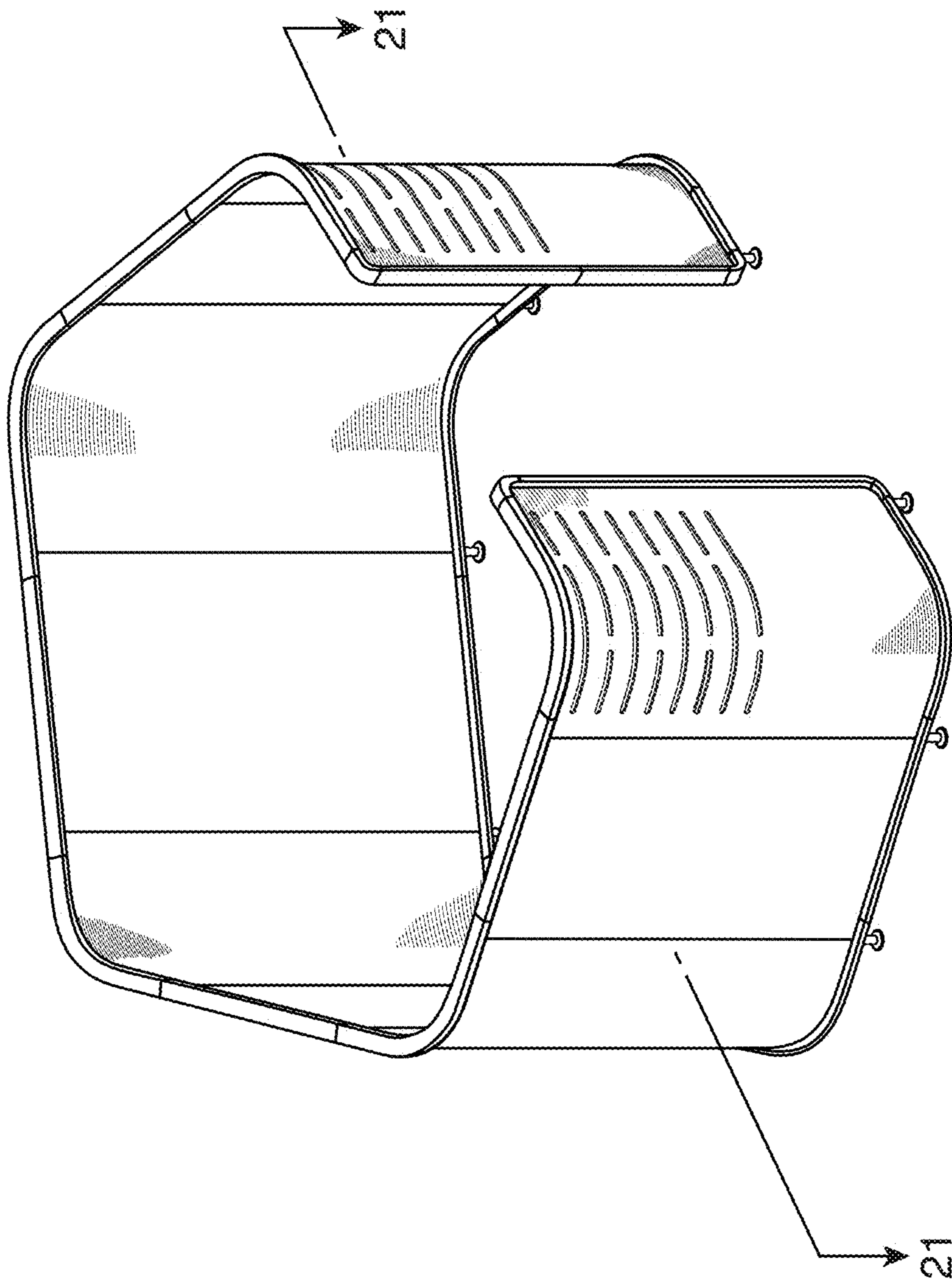


FIG. 19

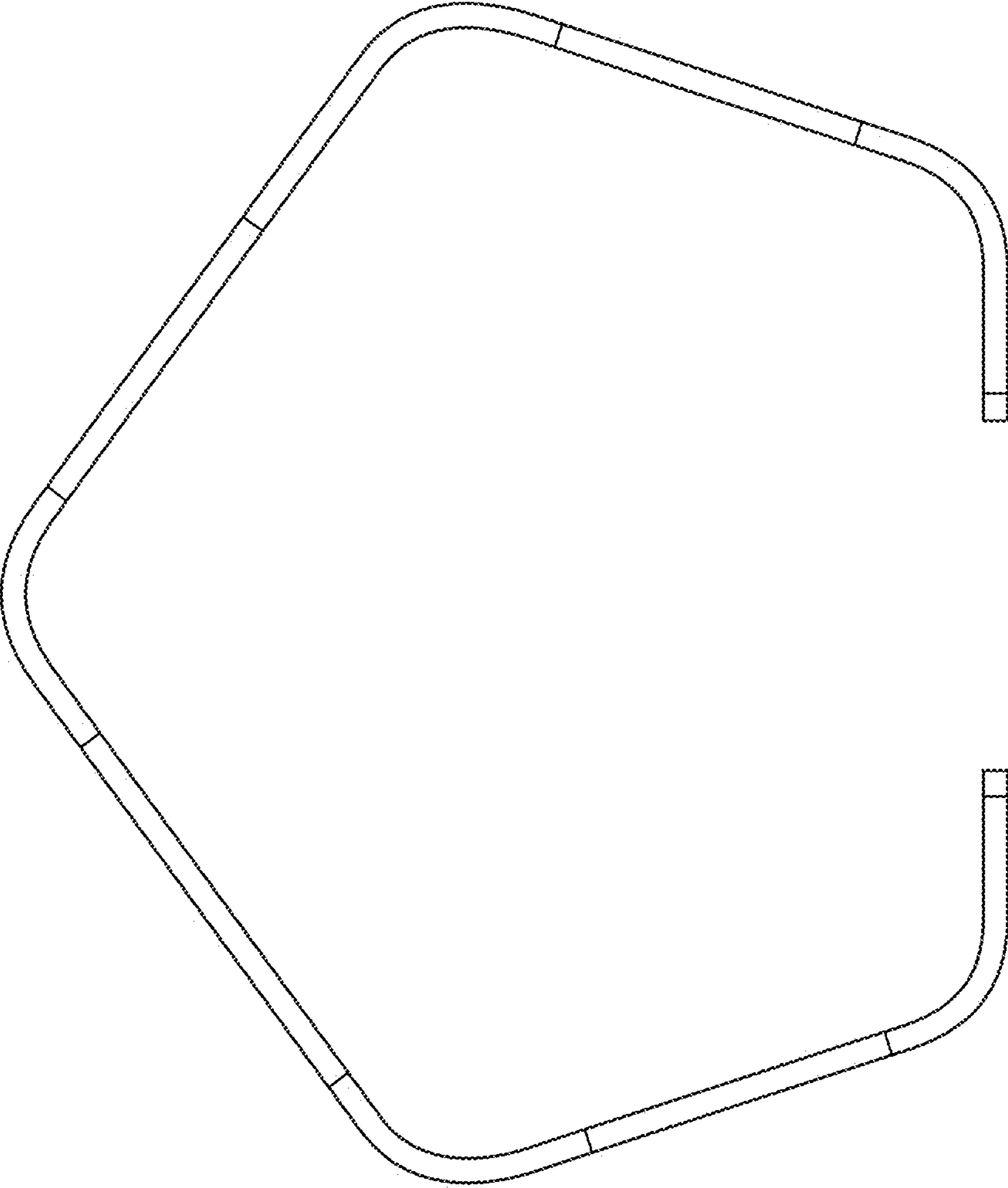


FIG. 20

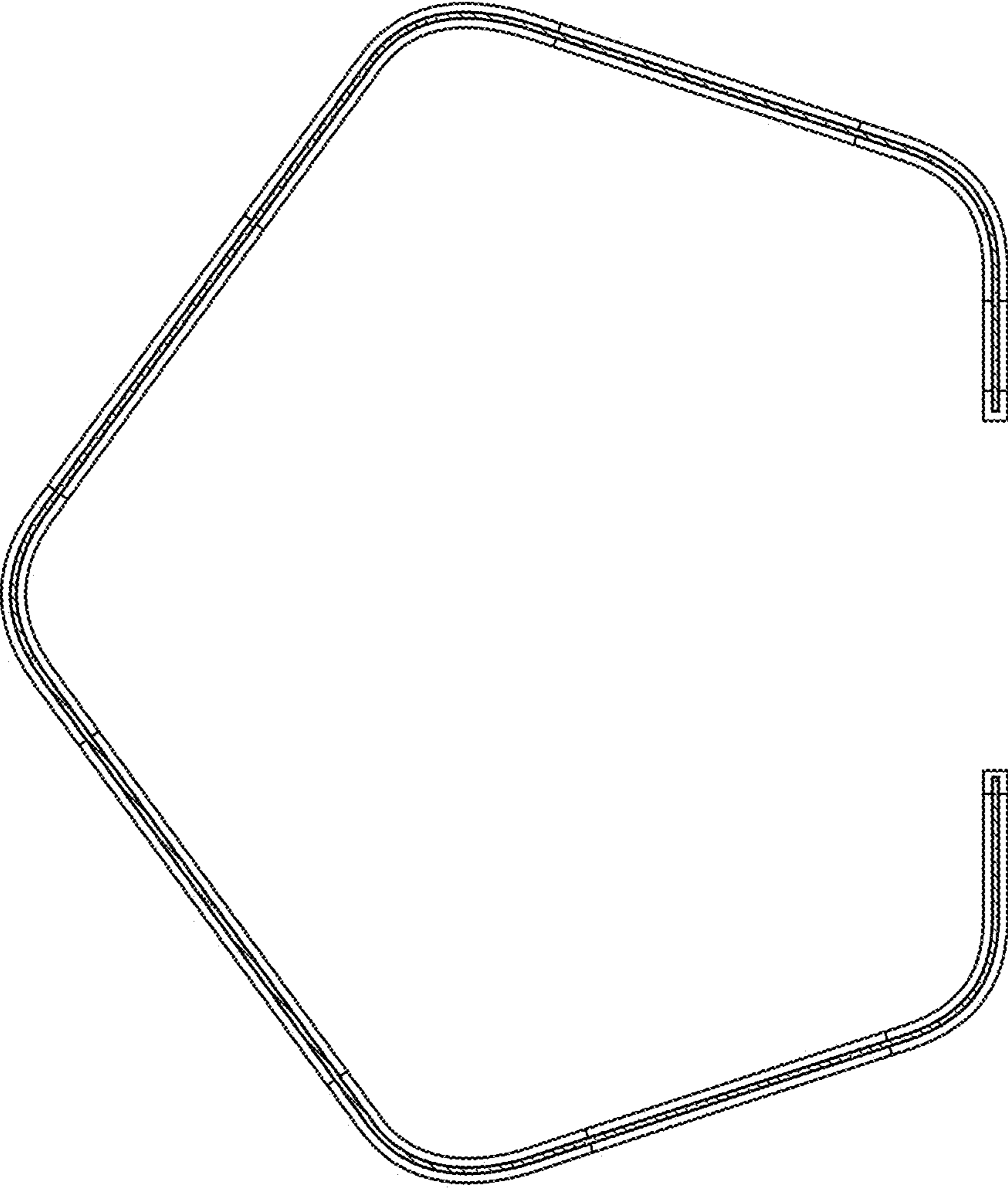


FIG. 21

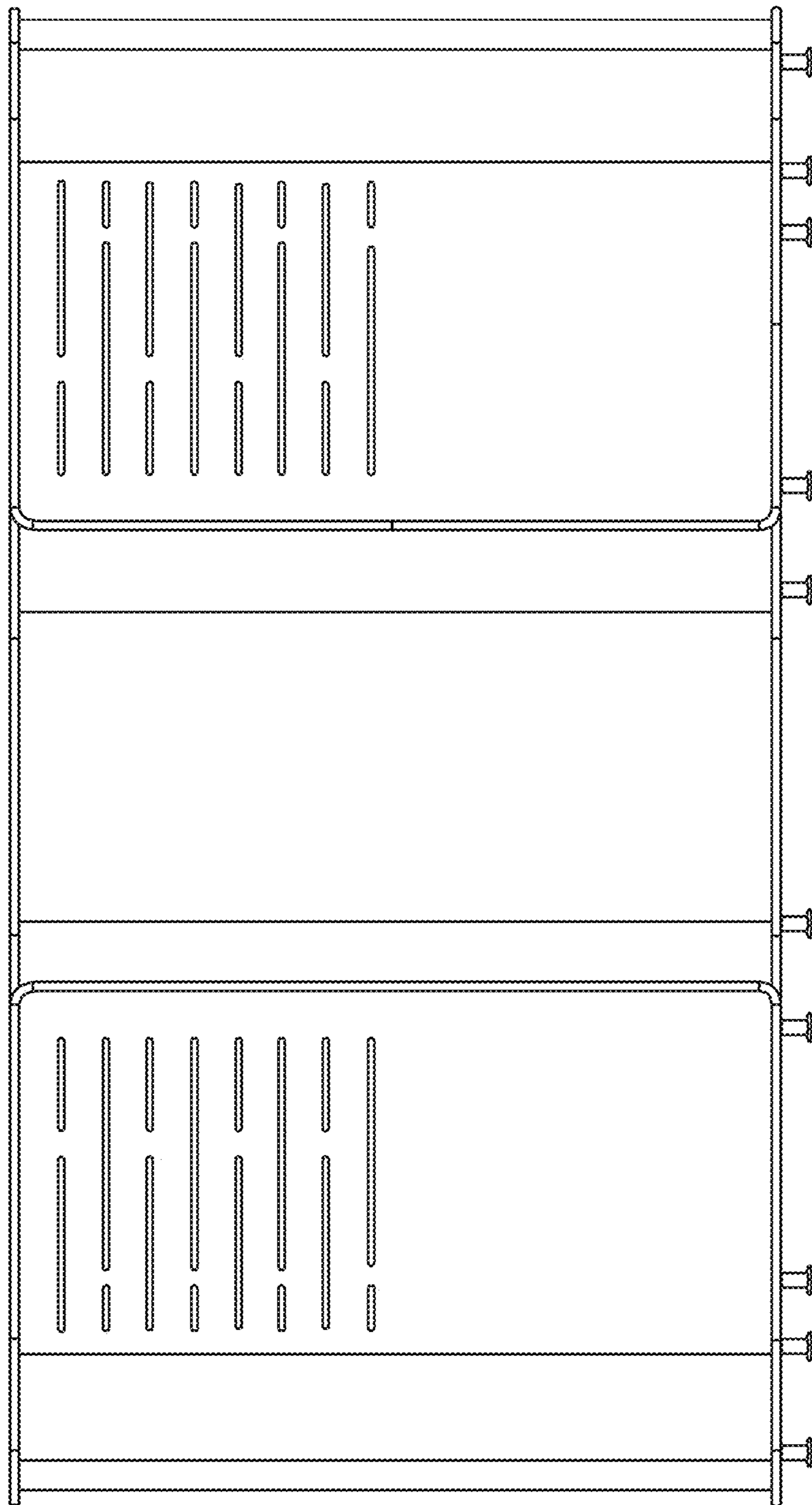


FIG. 22

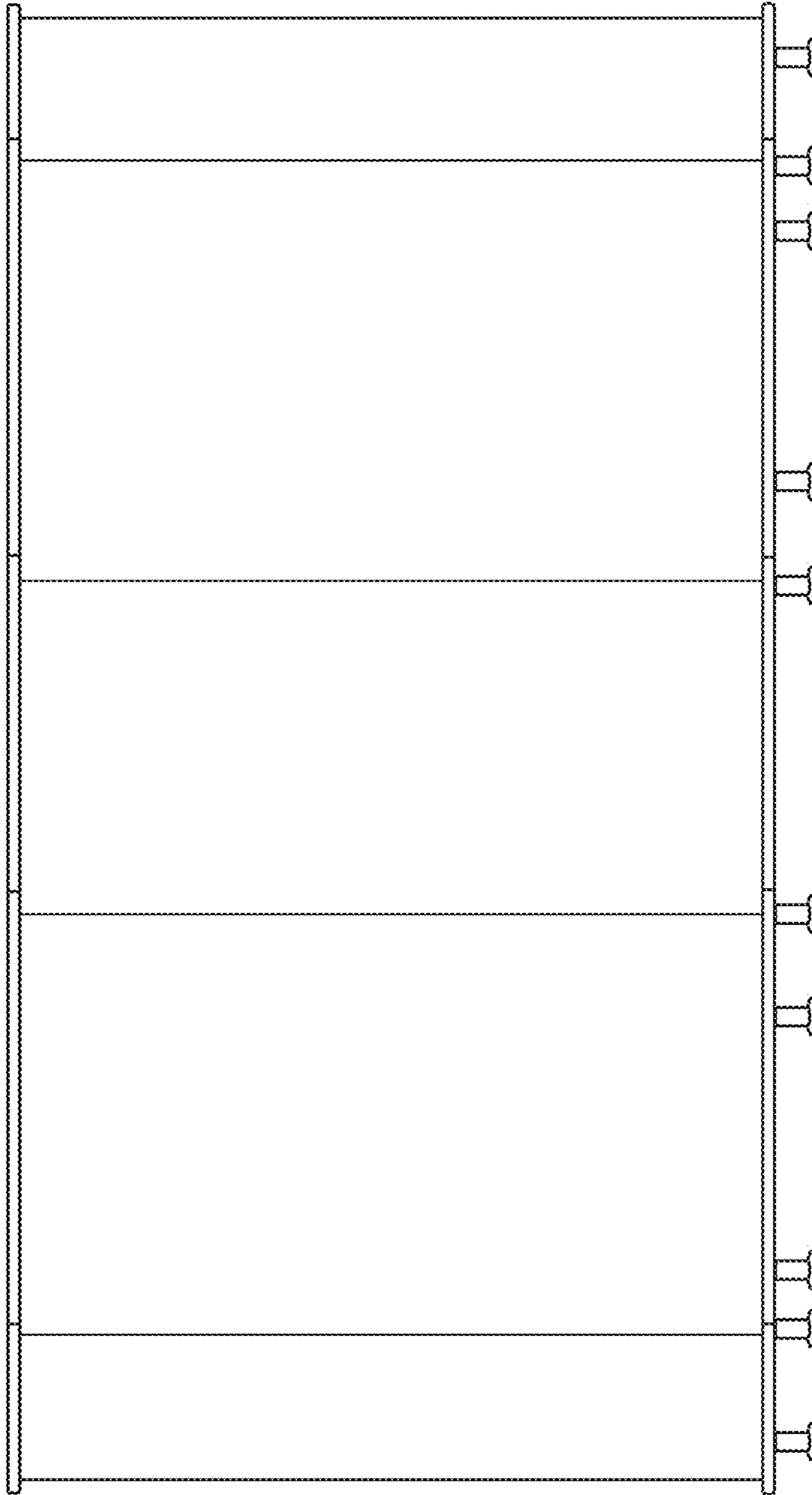


FIG. 23

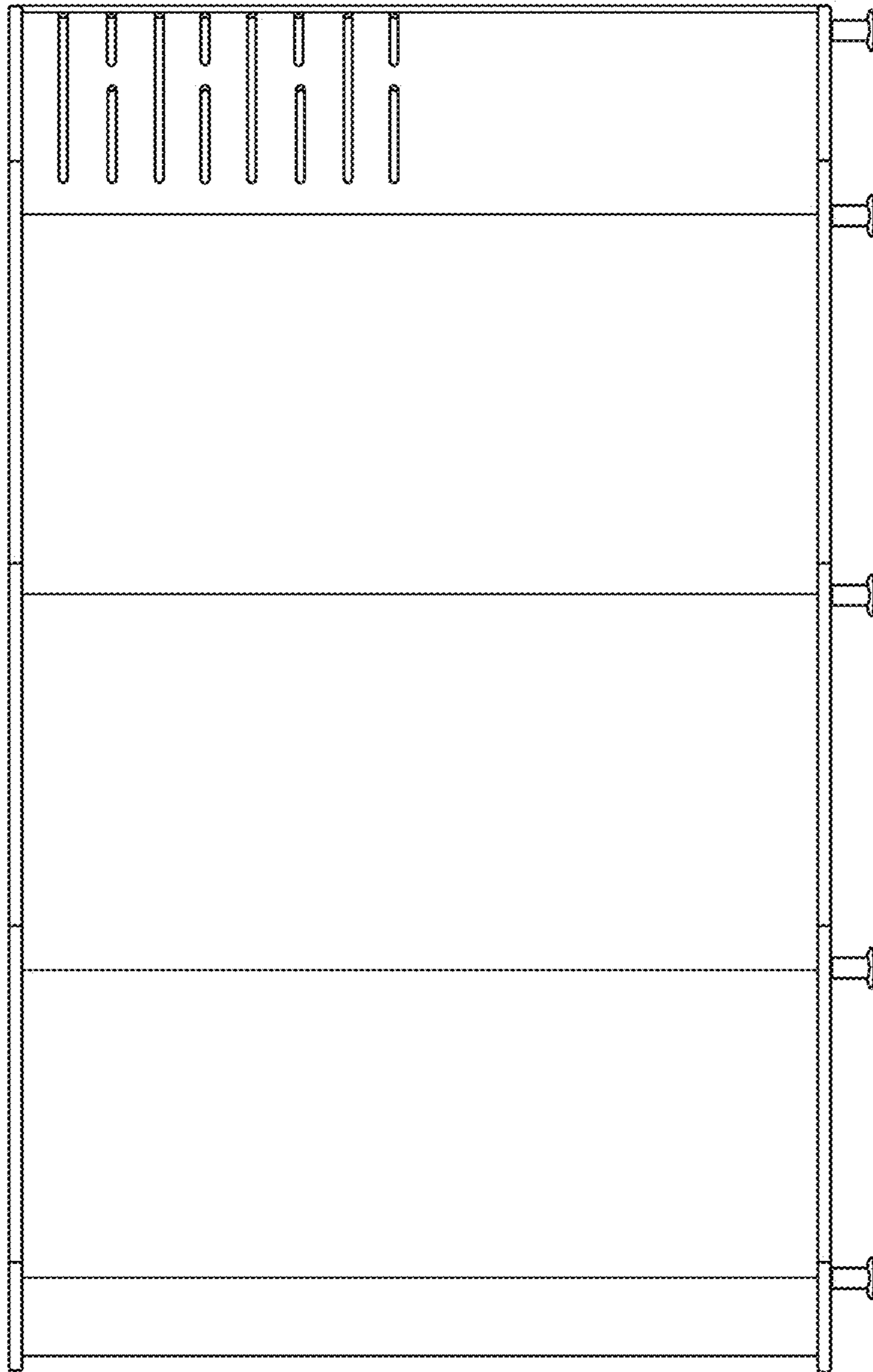


FIG. 24