



US00D895986S

(12) **United States Design Patent** (10) **Patent No.:** **US D895,986 S**  
**Yang** (45) **Date of Patent:** **\*\* Sep. 15, 2020**

(54) **LED MAKEUP MIRROR**

FOREIGN PATENT DOCUMENTS

(71) Applicant: **Dongguan Powerme Plastic Mfg. Co., Ltd.**, Dongguan, GD (CN)

EM 005889797-0001 \* 1/2019  
EM 006489654-0001 \* 5/2019

(Continued)

(72) Inventor: **Guowei Yang**, Jiangmen (CN)

(\*\*) Term: **15 Years**

OTHER PUBLICATIONS

(21) Appl. No.: **29/697,229**

180 Degree Adjustable Touch Screen Vanity Mirror, available May 11, 2020, [online], [site visited May 11, 2020]. Available from internet, URL: <https://www.beautetrade.com/products/180-degree-adjustable-touch-screen-panel-dimming-led-lighting-makeup-vanity-mirror-with-3x2x-magnification/17867/> (Year: 2020).\*

(22) Filed: **Jul. 5, 2019**

(Continued)

(30) **Foreign Application Priority Data**

May 17, 2019 (CN) ..... 2019 3 0241330

(51) **LOC (12) Cl.** ..... **06-07**

*Primary Examiner* — W. A. Teddy Falloway

(52) **U.S. Cl.**

(74) *Attorney, Agent, or Firm* — Erson IP (Nelson IP)

USPC ..... **D6/312**

(58) **Field of Classification Search**

USPC ..... D6/300–314; D28/64.6

CPC ..... A45D 42/00; A45D 42/24; A45D 42/14;

A45D 42/16; A45D 42/10; A45D 42/08;

F21V 21/0965; F21V 21/30; F21V

33/004; A47G 1/00; A47G 1/06; A47G

1/0616; A47G 1/14; A47G 1/141; A47G

1/02

See application file for complete search history.

(57) **CLAIM**

The ornamental design for a LED makeup mirror, as shown and described.

**DESCRIPTION**

(56) **References Cited**

U.S. PATENT DOCUMENTS

2,140,069 A \* 12/1938 Bostwick ..... A45D 42/00  
359/854

D572,024 S \* 7/2008 Shapiro ..... D6/301

D825,205 S \* 8/2018 Liu ..... D6/310

D833,762 S \* 11/2018 Liu ..... D6/310

D861,356 S \* 10/2019 Zhu ..... D6/310

D865,374 S \* 11/2019 Yang ..... D6/310

D874,836 S \* 2/2020 Li ..... D6/312

D877,520 S \* 3/2020 Estores ..... D6/301

D881,588 S \* 4/2020 Zhu ..... D6/310

D882,965 S \* 5/2020 Liu ..... D6/302

(Continued)

FIG. 1 is a perspective view showing an open position of use of a LED makeup mirror showing my new design;

FIG. 2 is a rear elevational view showing an open position of use thereof;

FIG. 3 is a perspective view thereof, shown in an alternate position;

FIG. 4 is a front elevational view thereof;

FIG. 5 is a rear elevational view thereof;

FIG. 6 is a left side view thereof;

FIG. 7 is a right side view thereof;

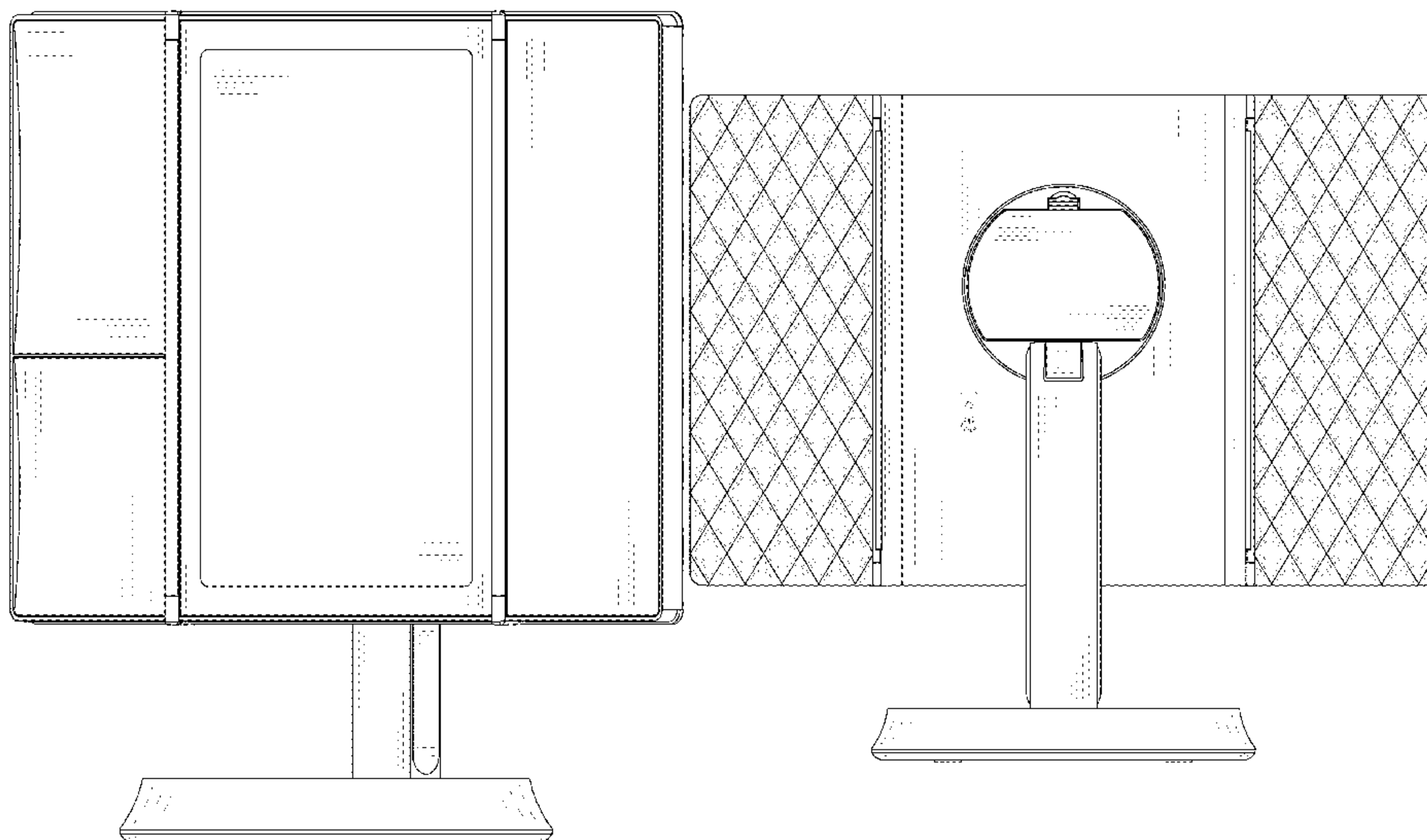
FIG. 8 is a top plan view thereof; and,

FIG. 9 is a bottom plan view thereof.

The broken lines in the drawing depict portions of the LED

makeup mirror that form no part of the claimed design.

**1 Claim, 9 Drawing Sheets**



(56)

**References Cited**

U.S. PATENT DOCUMENTS

2014/0240964 A1\* 8/2014 Adachi ..... A45D 42/10  
362/141  
2016/0255941 A1\* 9/2016 Yang ..... A45D 42/18

FOREIGN PATENT DOCUMENTS

EM 006592937-0001 \* 6/2019  
EM 007223706-0001 \* 11/2019

OTHER PUBLICATIONS

Contemporary 3-n-1 Trifold Makeup Mirror, available Aug. 7, 2017, [online], [site visited May 23, 2020]. Available from internet, URL: <https://www.wayfair.com/decor-pillows/pdp/house-of-hampton-contemporary-3-in-1-trifold-makeup-mirror-hohm5998.html> (Year: 2017).\*

\* cited by examiner

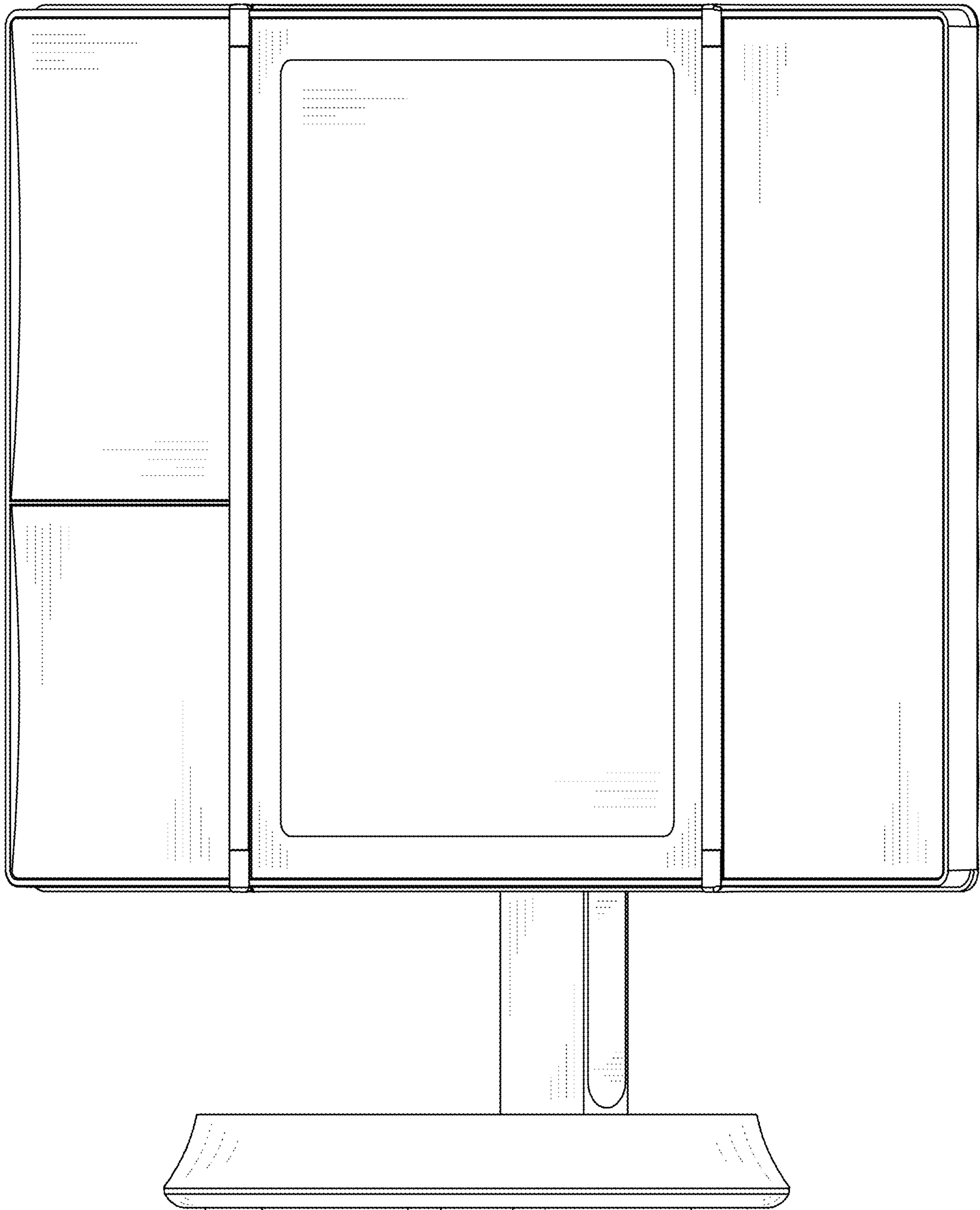


FIG.1



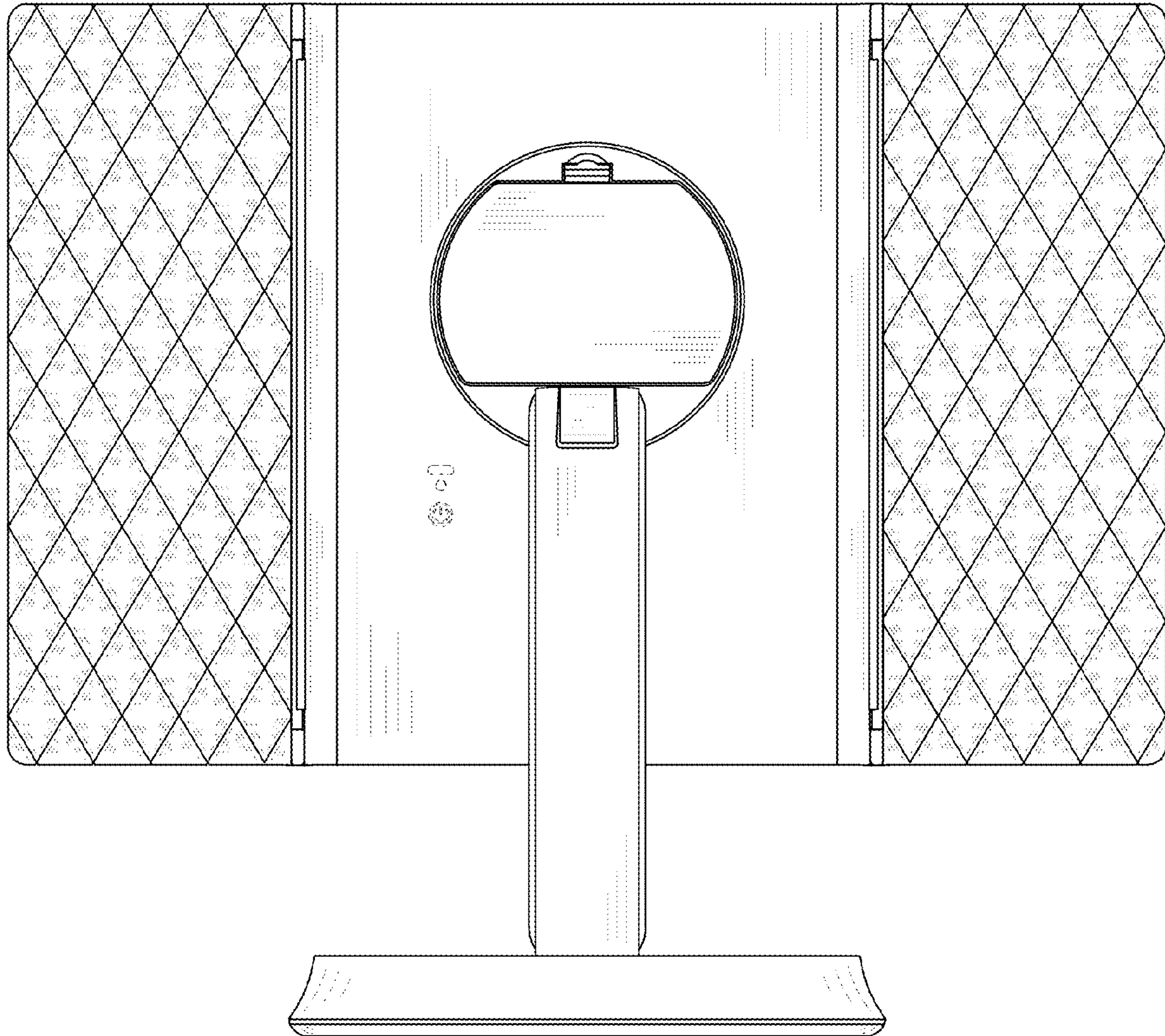


FIG.2

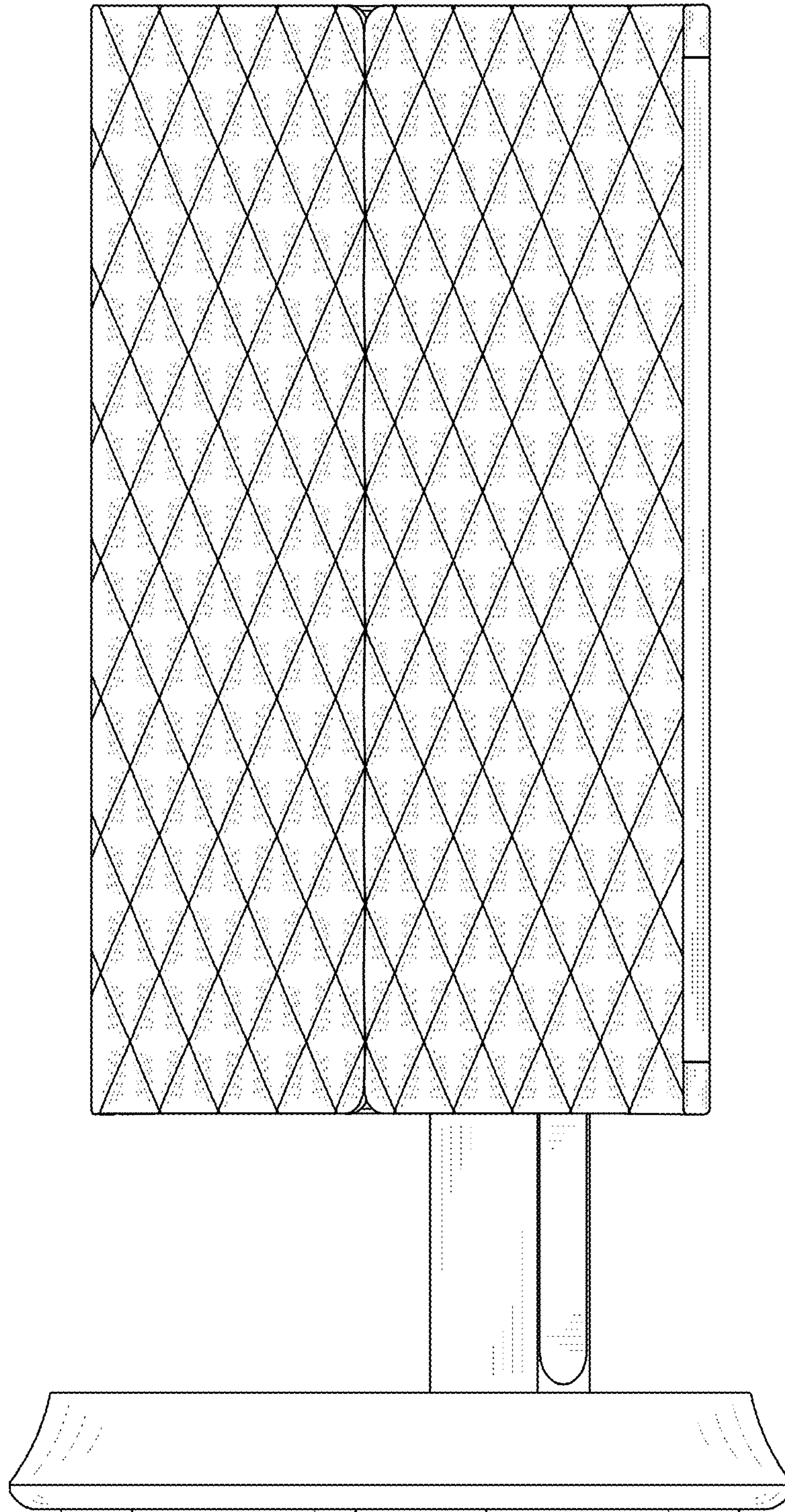


FIG. 3



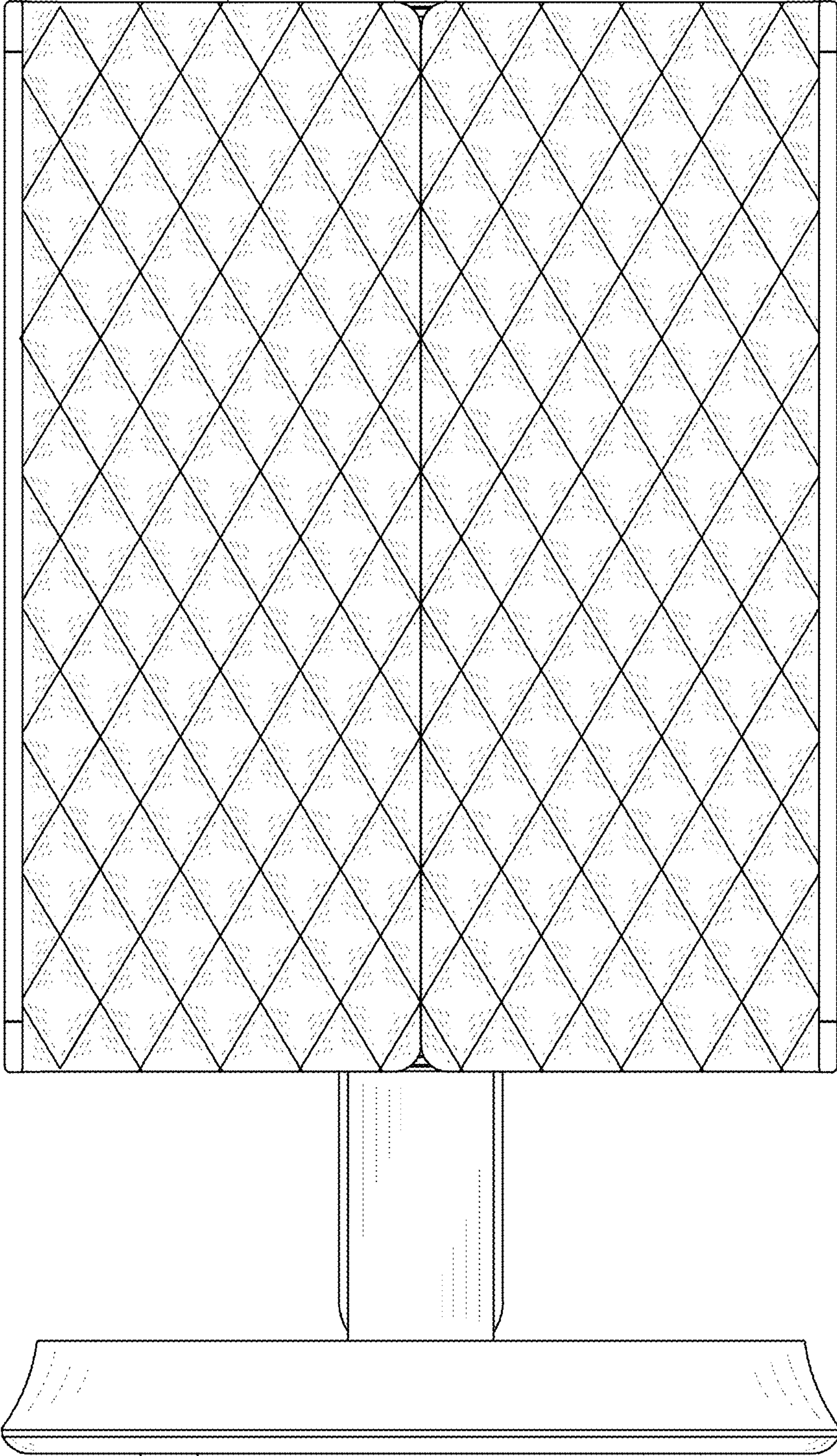


FIG. 4

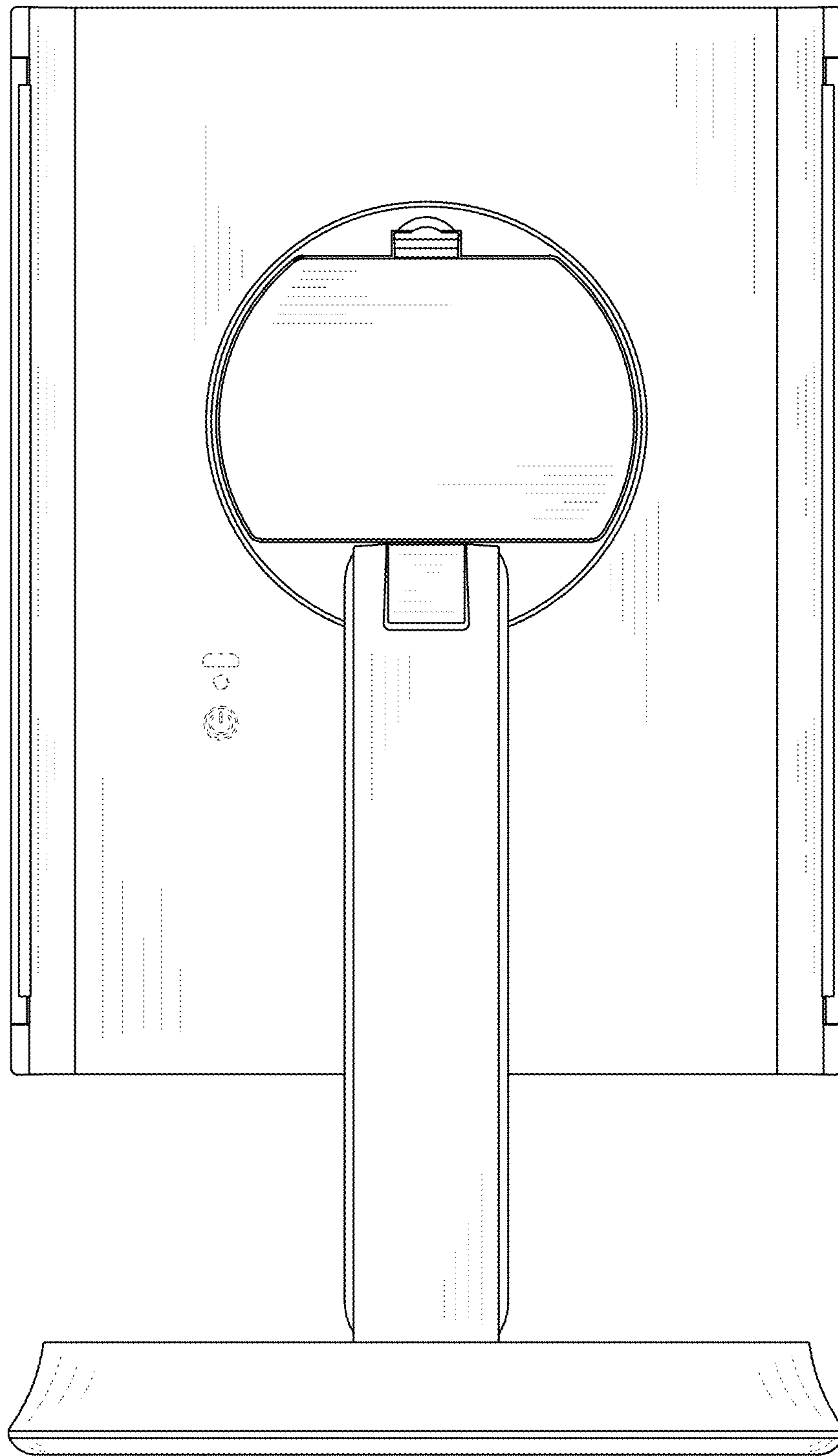


FIG. 5

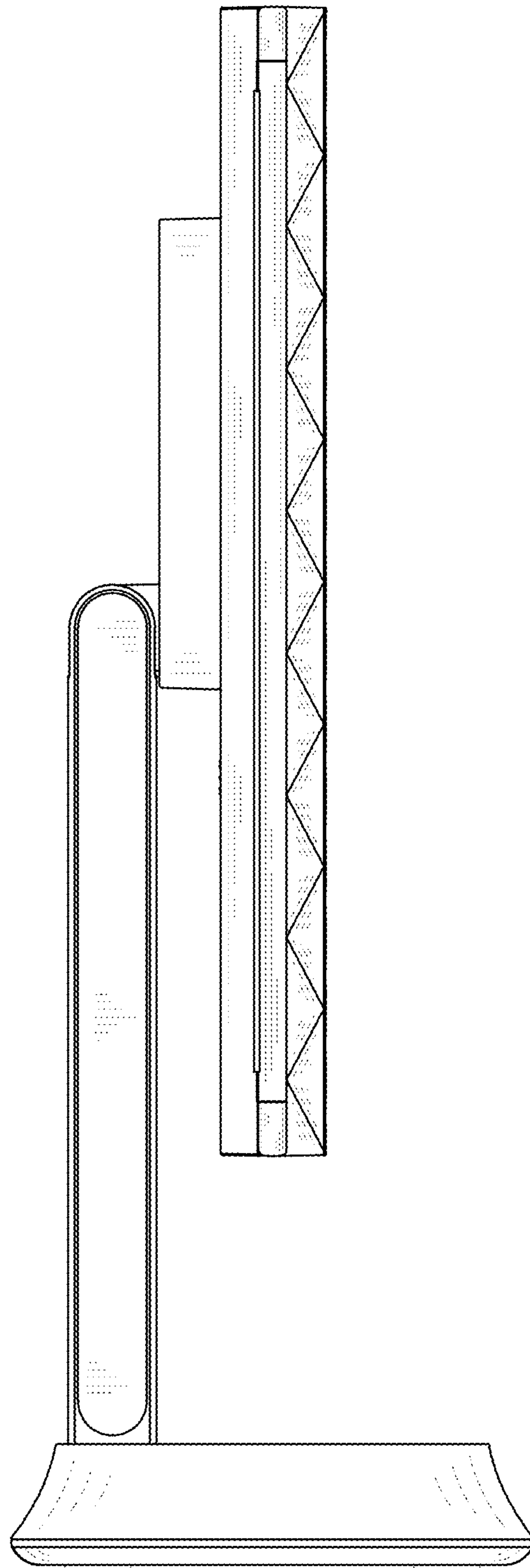


FIG. 6



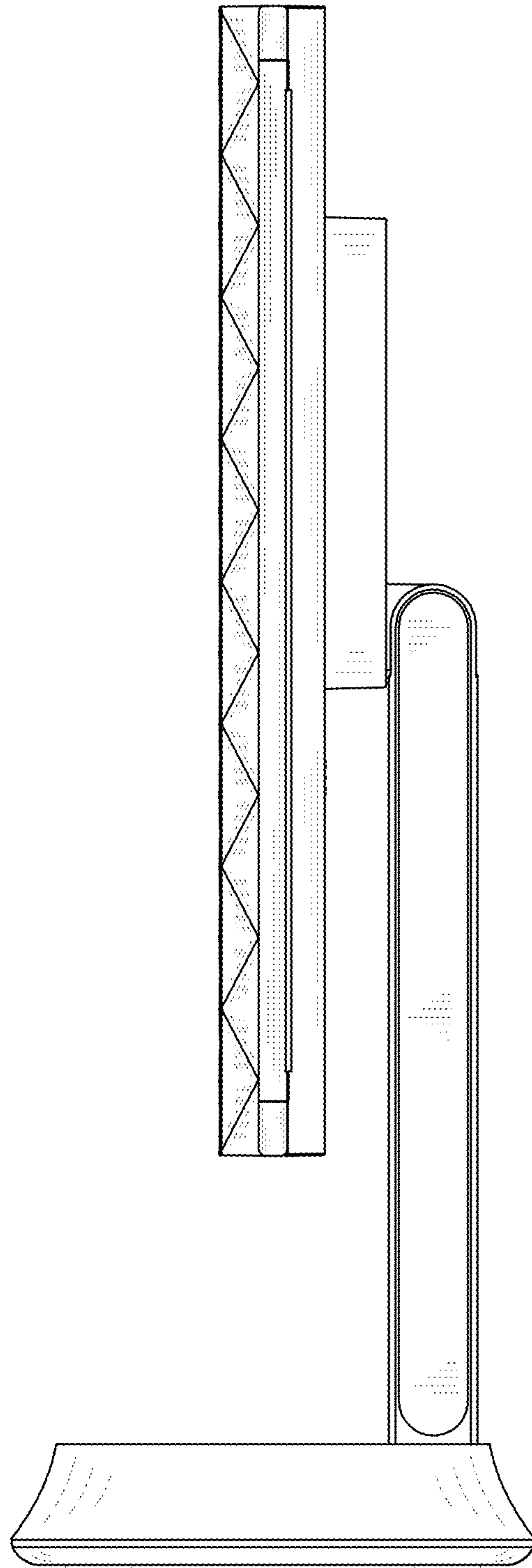


FIG. 7

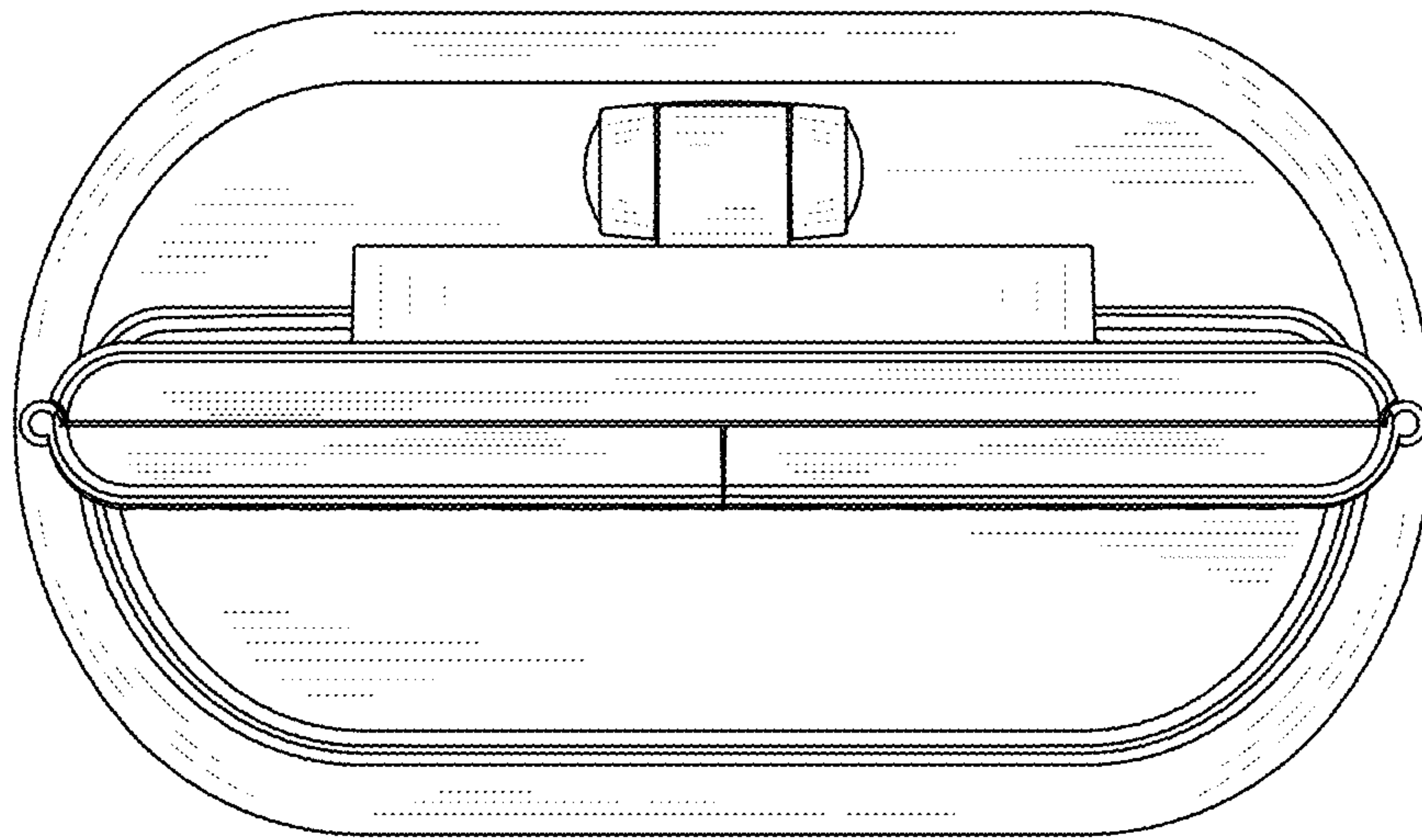


FIG. 8

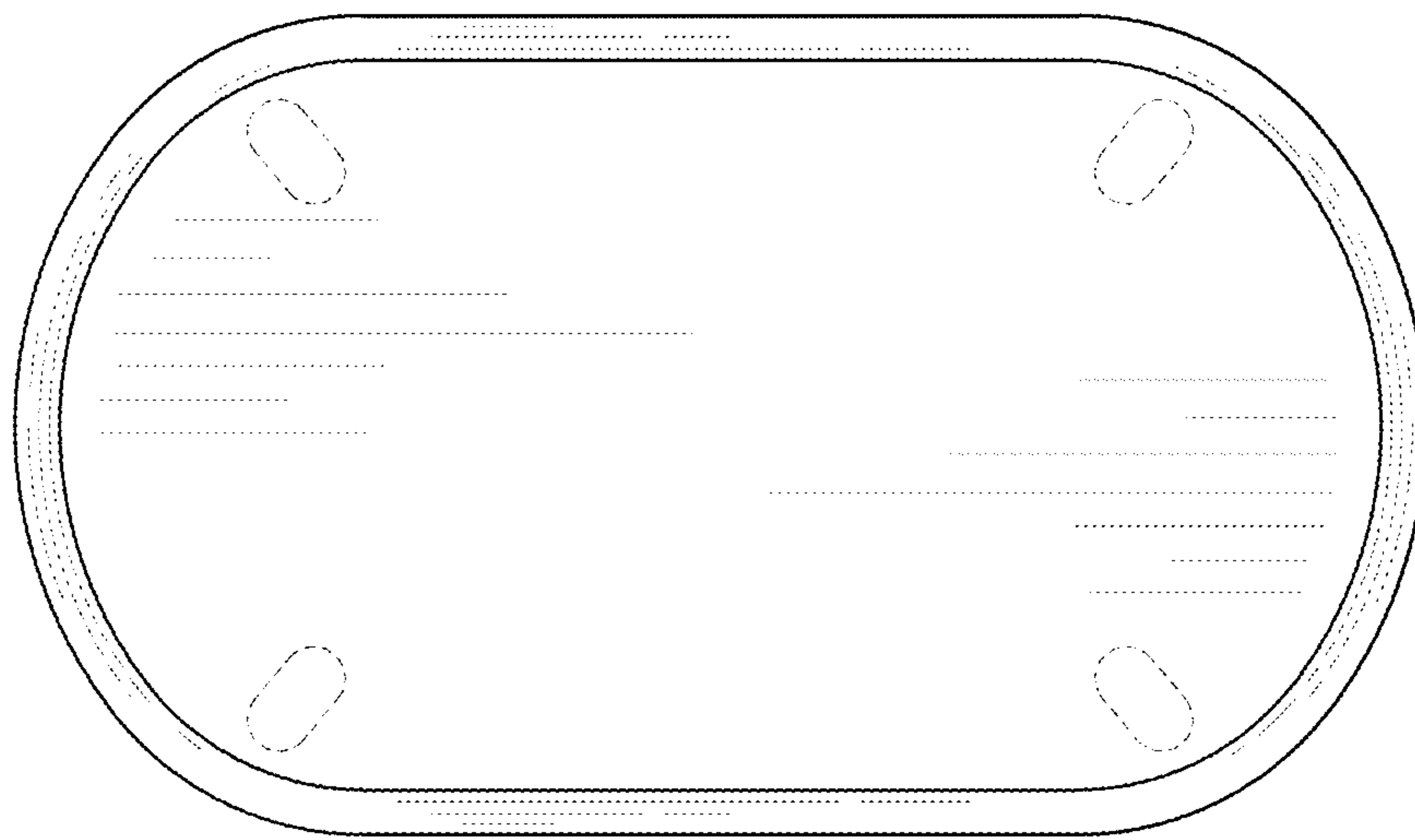


FIG. 9