



US00D895985S

(12) **United States Design Patent**
Shi

(10) **Patent No.:** **US D895,985 S**

(45) **Date of Patent:** **** Sep. 15, 2020**

(54) **BOOK HOLDER**

(71) Applicant: **Jianfei Shi**, Yingkou (CN)

(72) Inventor: **Jianfei Shi**, Yingkou (CN)

(**) Term: **15 Years**

(21) Appl. No.: **29/731,124**

(22) Filed: **Apr. 13, 2020**

(51) **LOC (12) Cl.** **06-07**

(52) **U.S. Cl.**
USPC **D6/311**; D6/312; D19/91

(58) **Field of Classification Search**
USPC D6/300, 301, 308-314, 700
CPC A47B 23/00; A47B 23/04; A47B 23/042;
A47B 23/043; A47B 23/044; A47B
2023/045; A47B 2220/0011; A47G 1/00;
A47G 1/02; A47G 1/14; A47G 1/24;
A45D 42/00; A45D 42/10; A45D 42/24;
B42D 3/16; B42D 3/126; G09F 1/12;
G09F 1/14; G09F 15/0056
See application file for complete search history.

(56) **References Cited**

U.S. PATENT DOCUMENTS

- 1,151,491 A * 8/1915 MacDaniel A47B 43/04
312/6
- 2,192,574 A * 3/1940 Hancher A47B 23/043
248/448
- 2,490,356 A * 12/1949 Hummel A47B 23/043
248/463
- D205,123 S * 6/1966 Giesecke D6/311
- D219,757 S * 1/1971 Pagano D19/91
- D268,852 S * 5/1983 Rasmussen D21/396
- D289,233 S * 4/1987 Cadman D6/310
- D399,368 S 10/1998 Herrera
- D501,513 S * 2/2005 Linyear D19/88
- D554,647 S * 11/2007 Chan D14/447
- D599,087 S * 9/2009 Kay D2/909

- D720,010 S * 12/2014 Waldron D19/91
- D743,485 S * 11/2015 deBretton Gordon D19/91
- 9,677,704 B1 * 6/2017 Thelen F16M 11/22
- D844,623 S * 4/2019 Chen D14/447
- D878,461 S * 3/2020 Jung A47B 43/04
D19/91

2010/0196656 A1 * 8/2010 Leng B32B 27/10
428/116

2019/0143734 A1 5/2019 Zarley

* cited by examiner

Primary Examiner — Mary Ann Calabrese

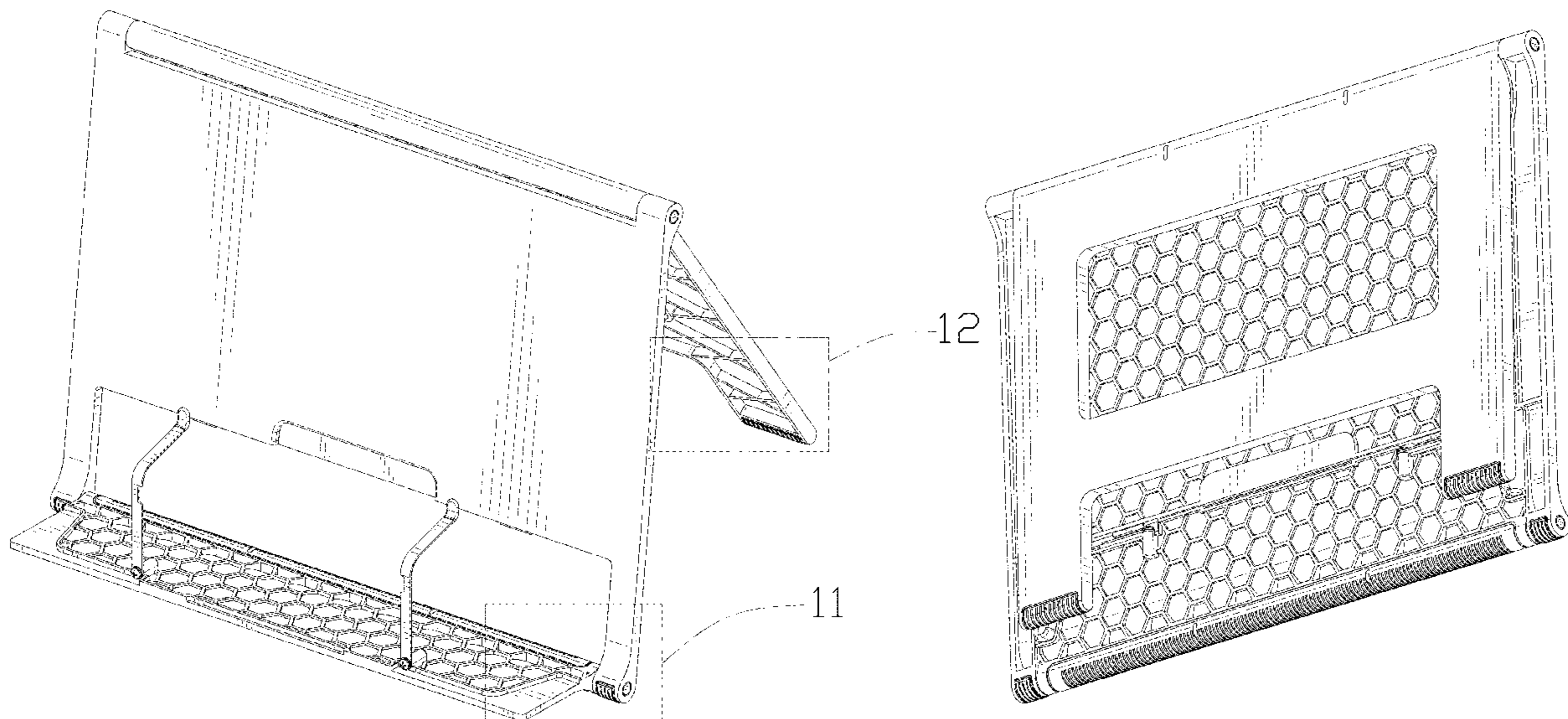
(57) **CLAIM**

The ornamental design for a book holder, as shown and described.

DESCRIPTION

FIG. 1 is a front perspective view of a book holder showing my new design;
 FIG. 2 is a rear perspective view thereof;
 FIG. 3 is a front elevational view thereof;
 FIG. 4 is a rear elevational view thereof;
 FIG. 5 is a left side elevational view thereof;
 FIG. 6 is a right side elevational view thereof;
 FIG. 7 is a top plan view thereof;
 FIG. 8 is a bottom plan view thereof;
 FIG. 9 is a front perspective view of the book holder where the book holder is in an alternate open configuration.
 FIG. 10 is a rear perspective view of the book holder where the book holder is in an alternate closed configuration.
 FIG. 11 is an enlarged detailed view of the boxed area 11 shown in FIG. 1.
 FIG. 12 is an enlarged detailed view of the boxed area 12 shown in FIG. 1.
 FIG. 13 is an enlarged detailed view of the boxed area 13 shown in FIG. 2; and,
 FIG. 14 is an enlarged detailed view of the boxed area 14 shown in FIG. 2.

1 Claim, 14 Drawing Sheets



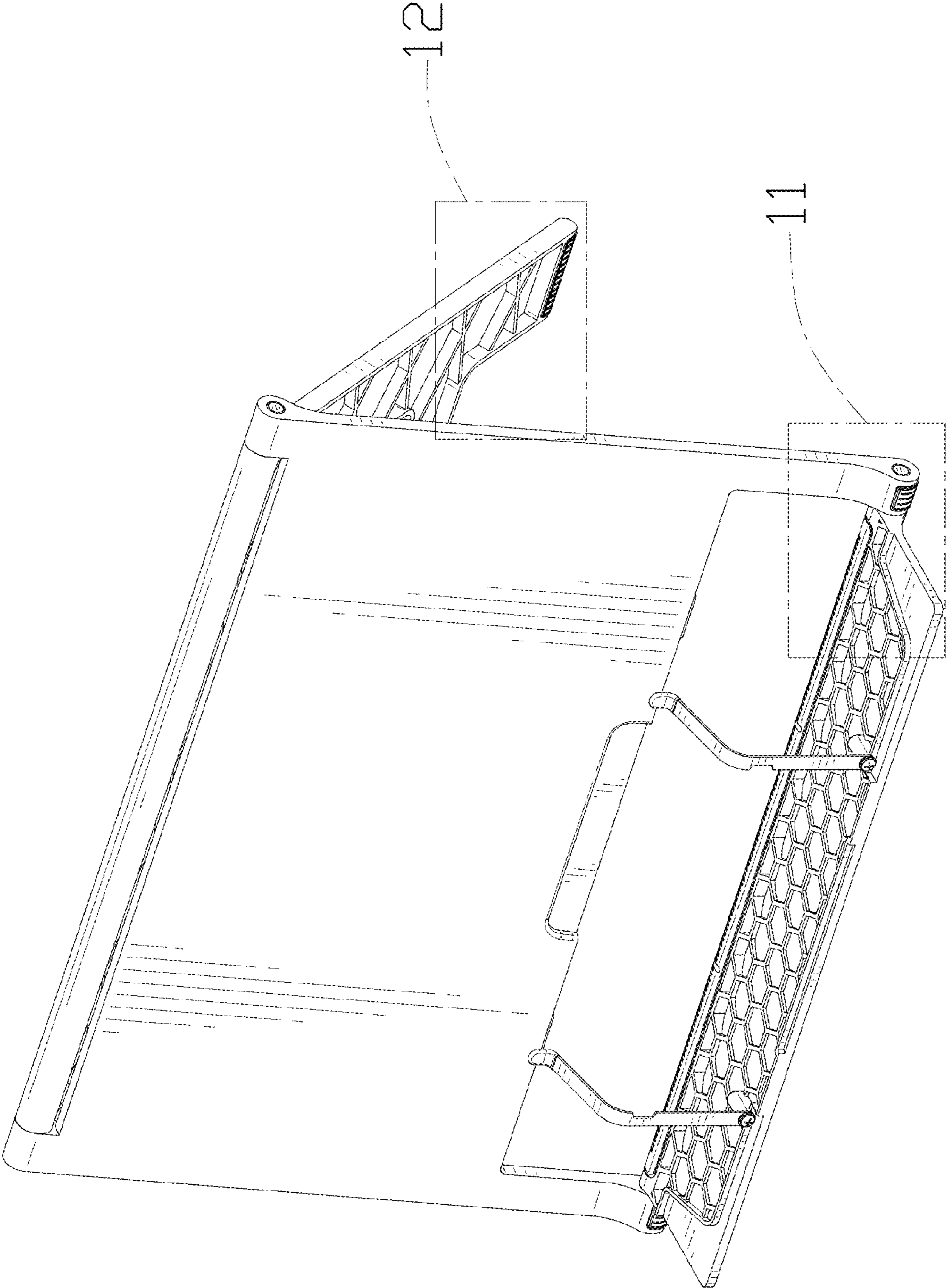


FIG. 1

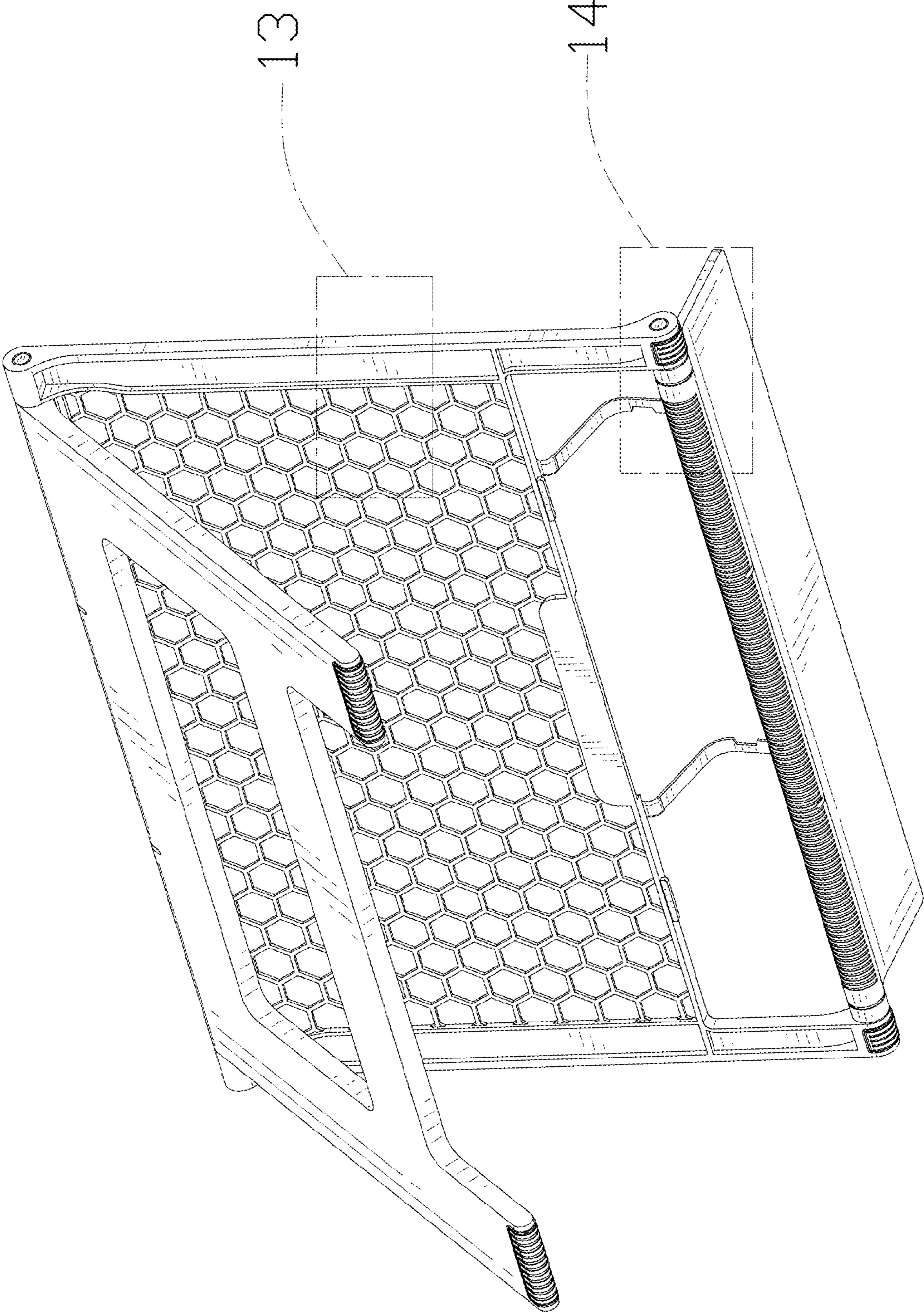


FIG. 2

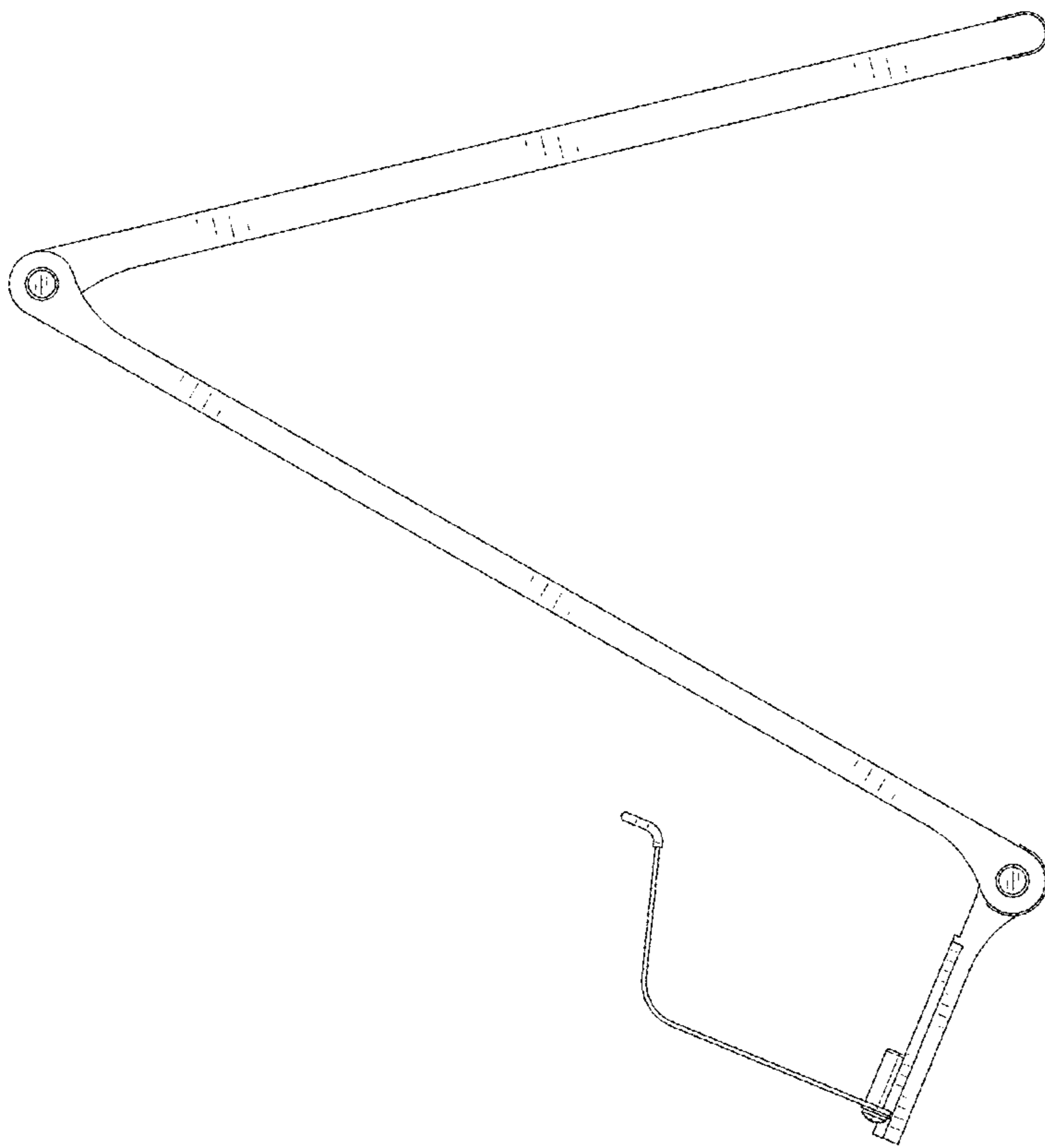


FIG. 3

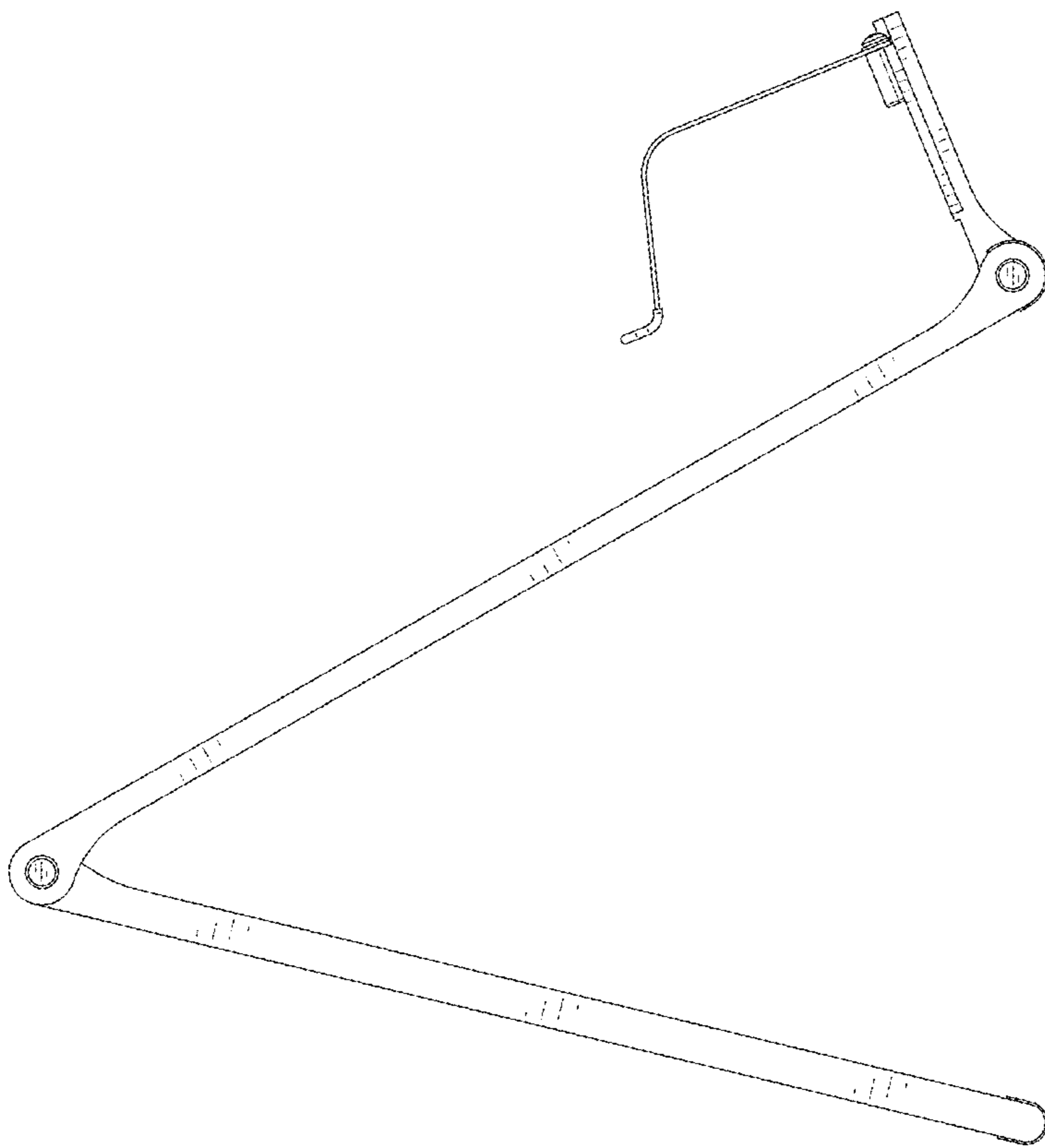


FIG. 4

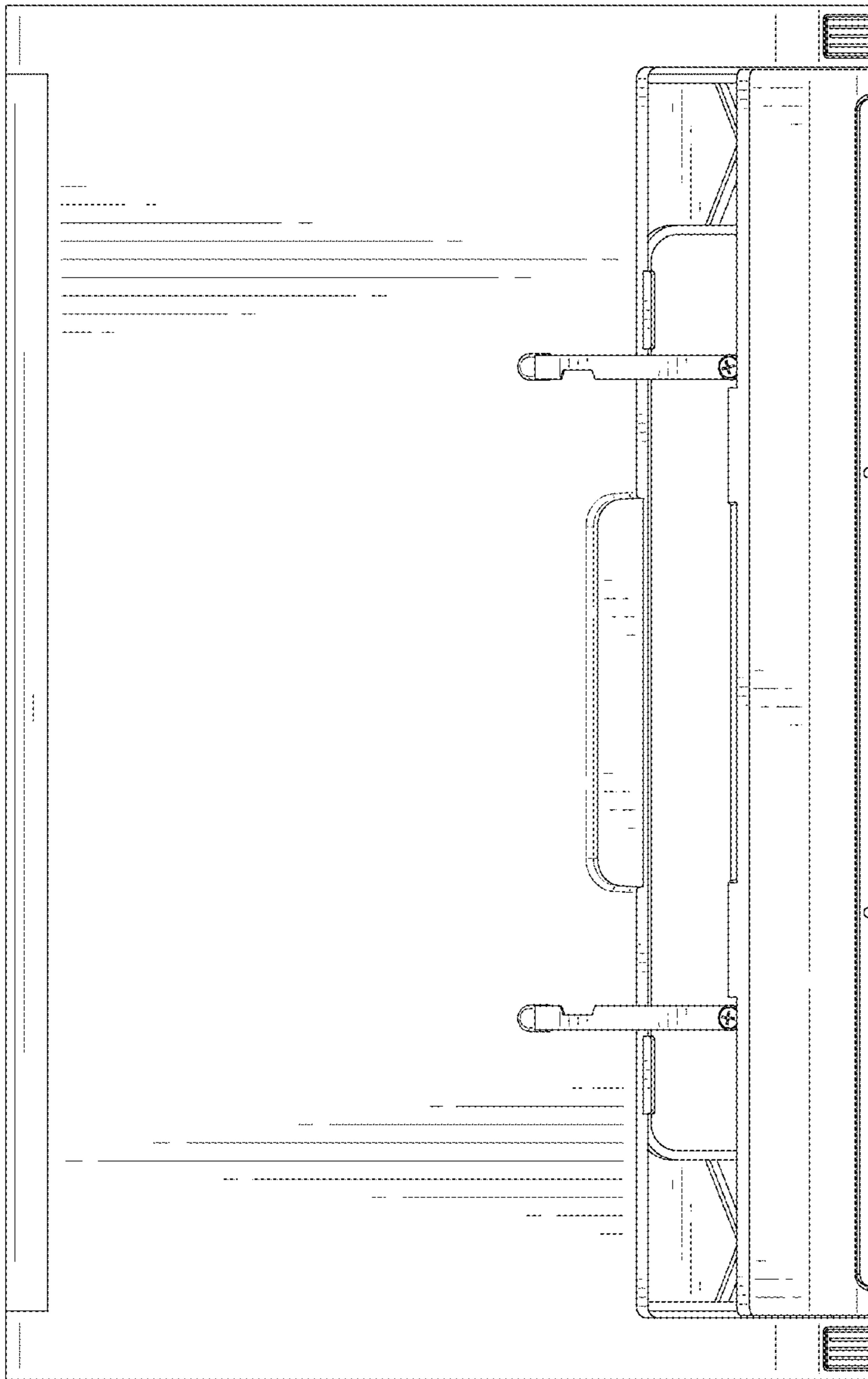


FIG. 5

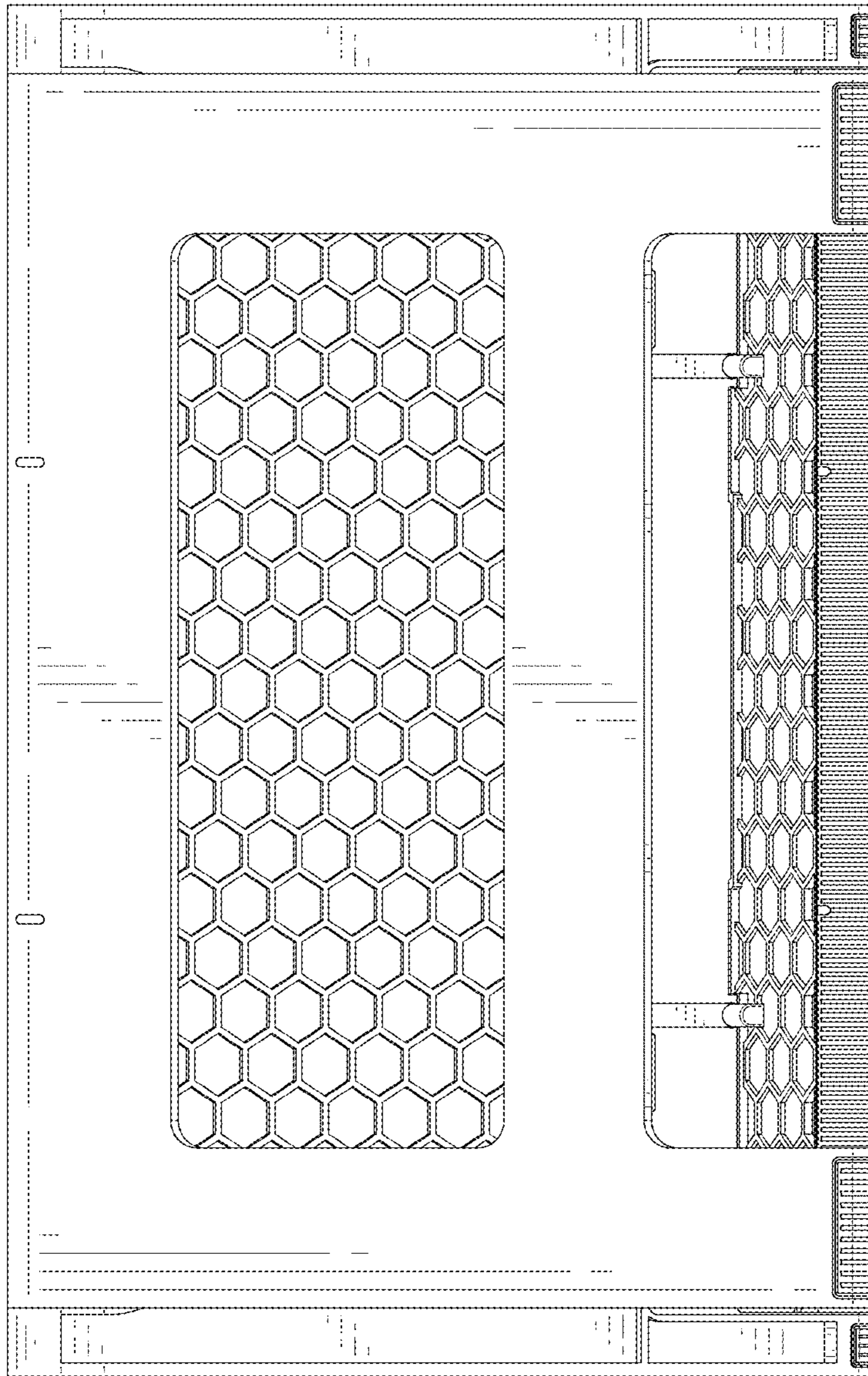


FIG. 6

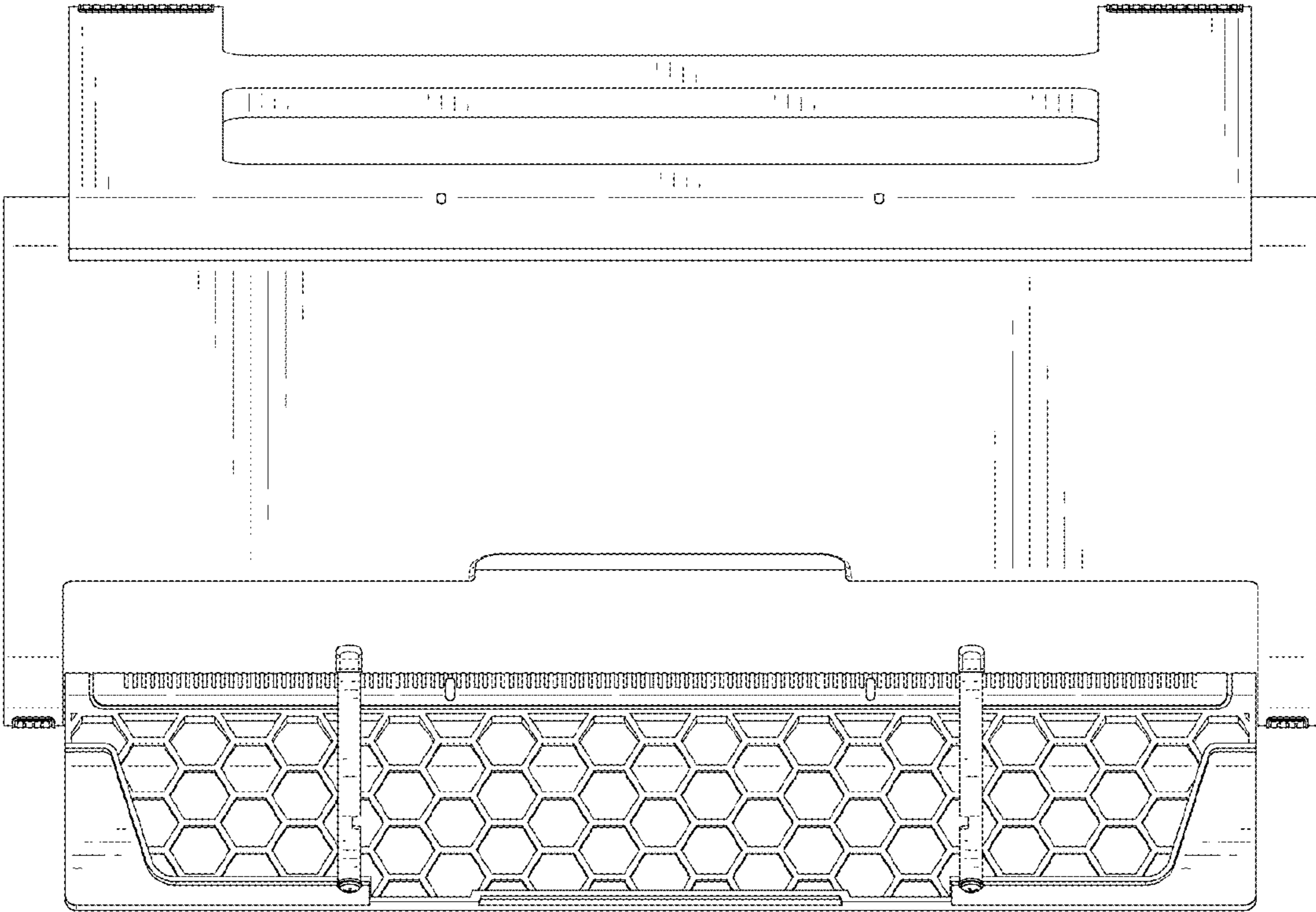


FIG. 7

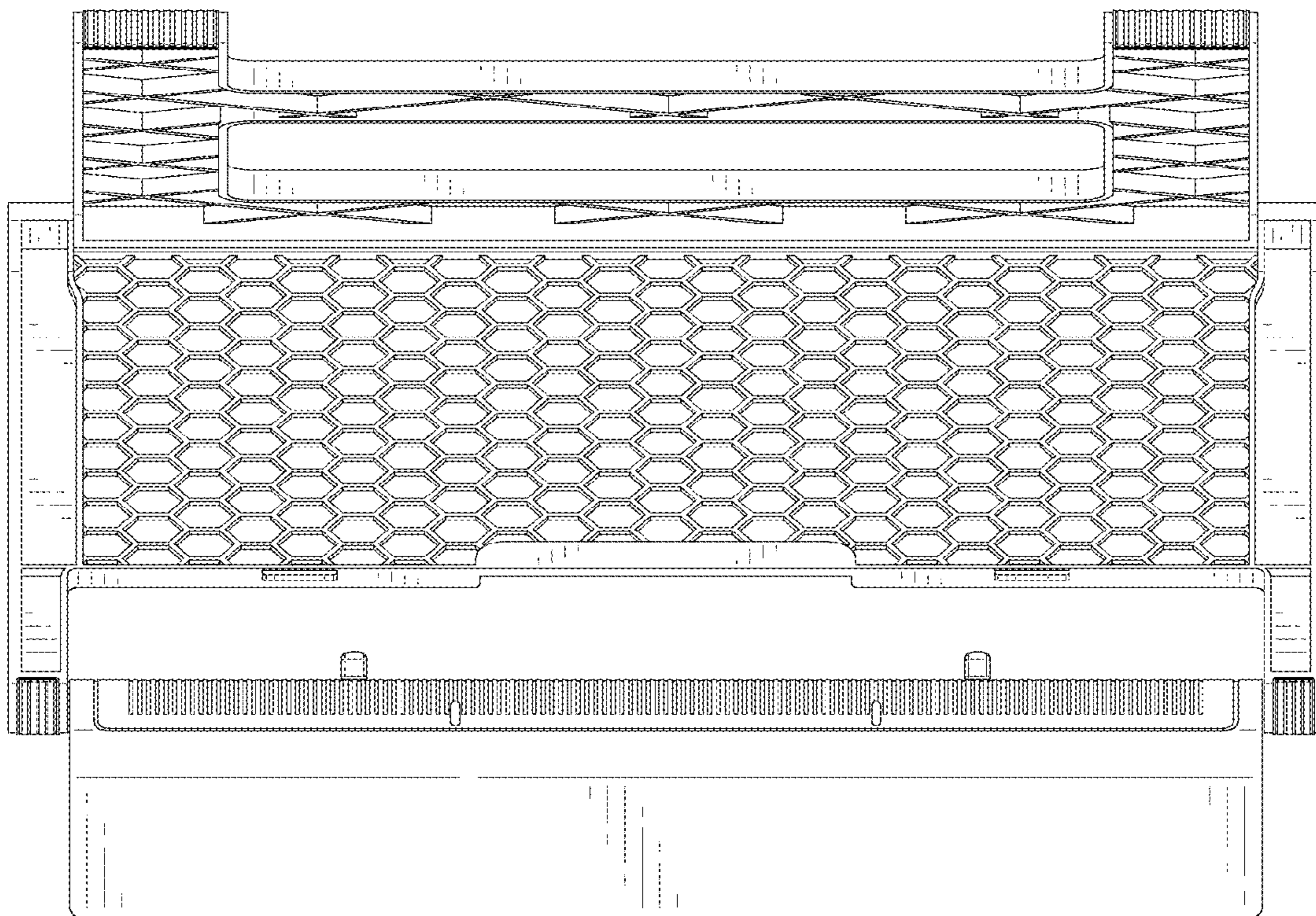


FIG. 8

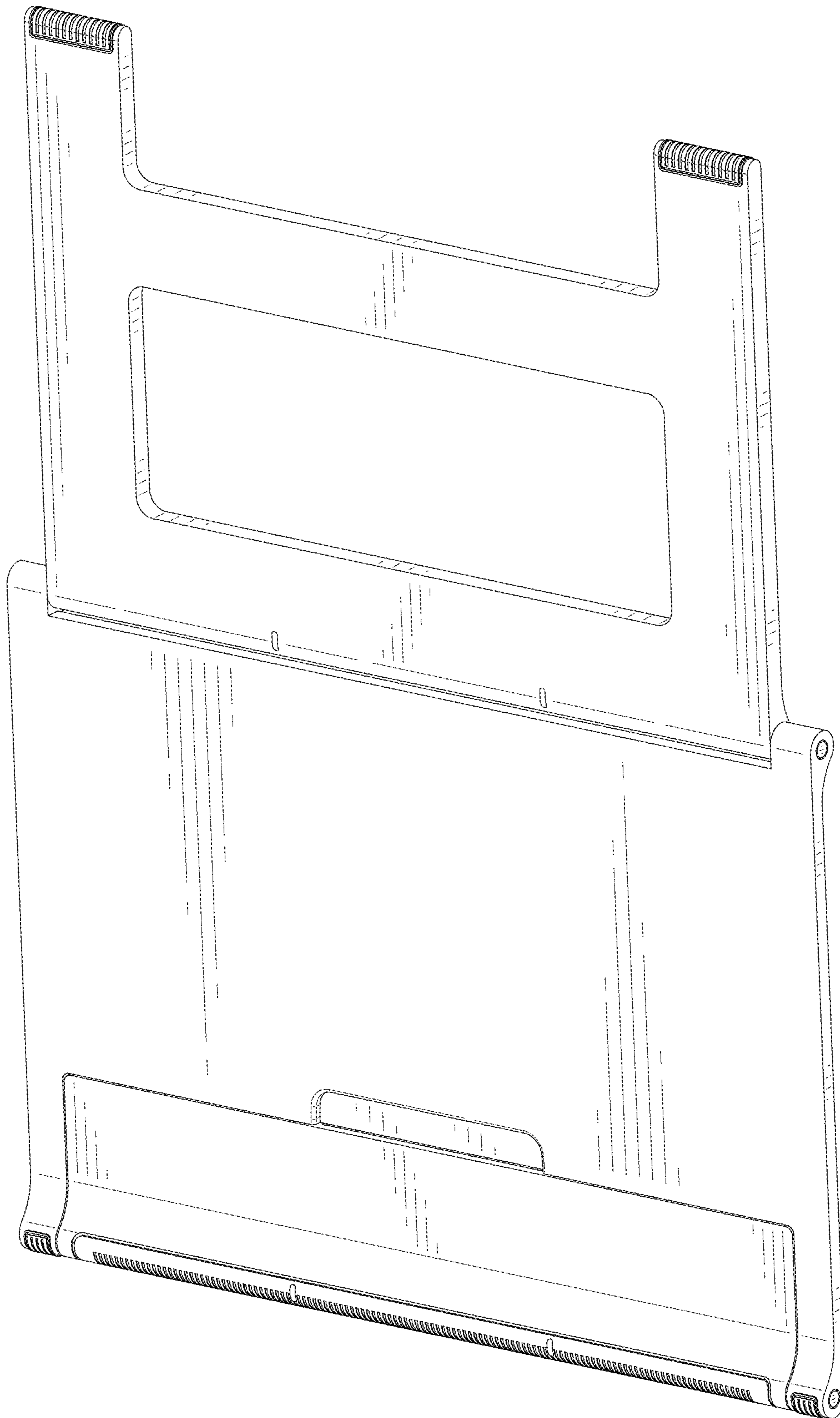


FIG. 9

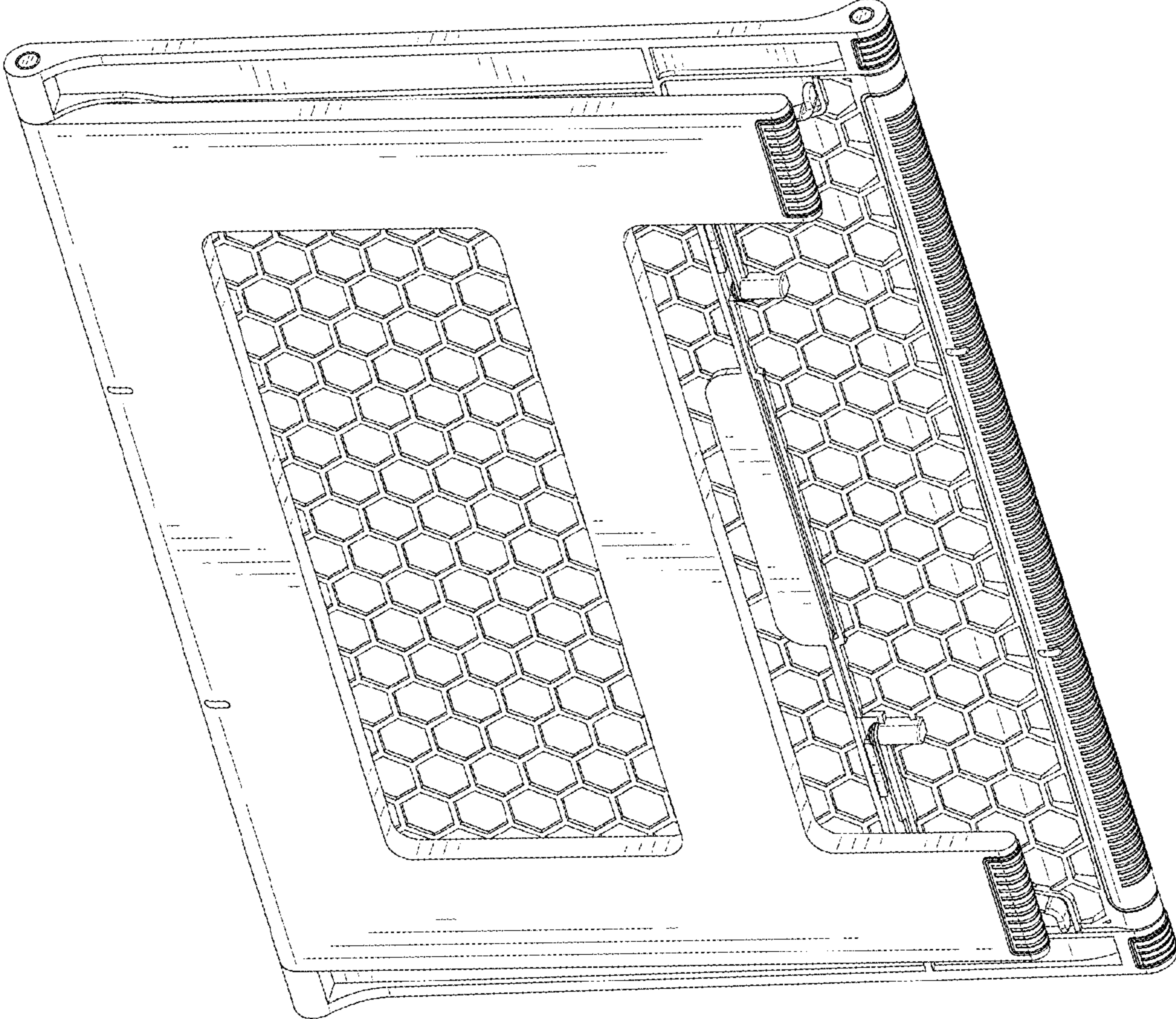


FIG. 10

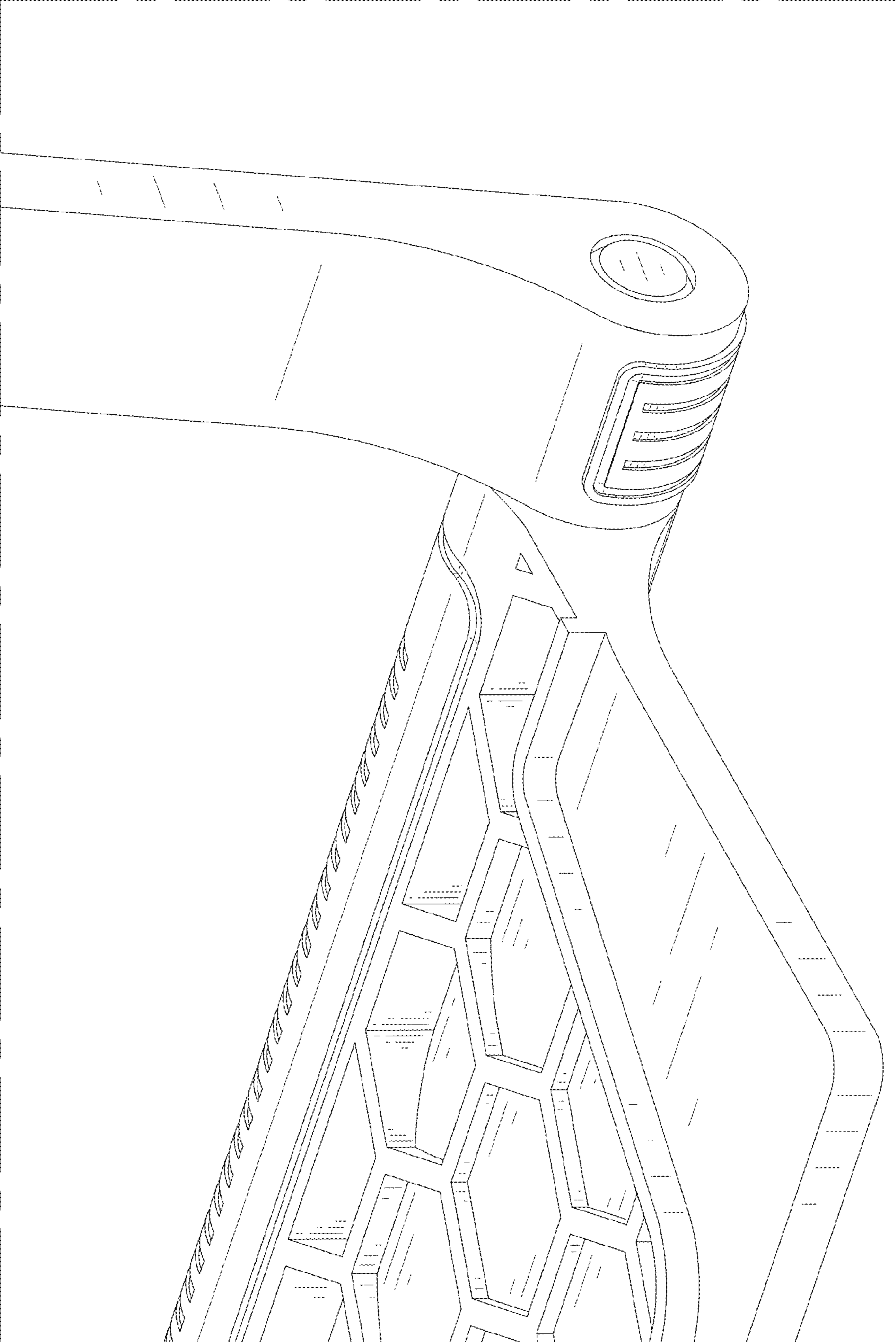


FIG. 11

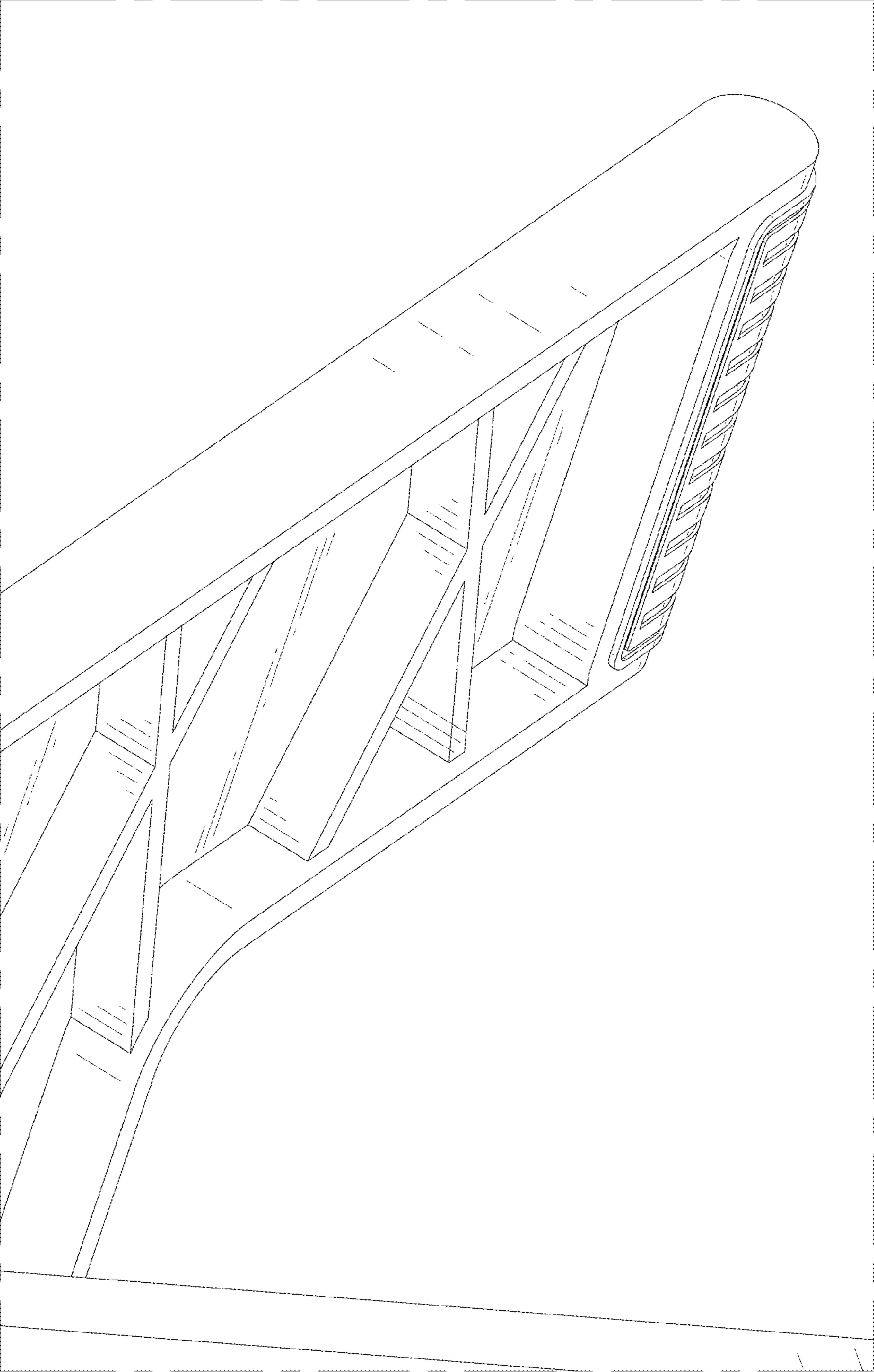


FIG. 12

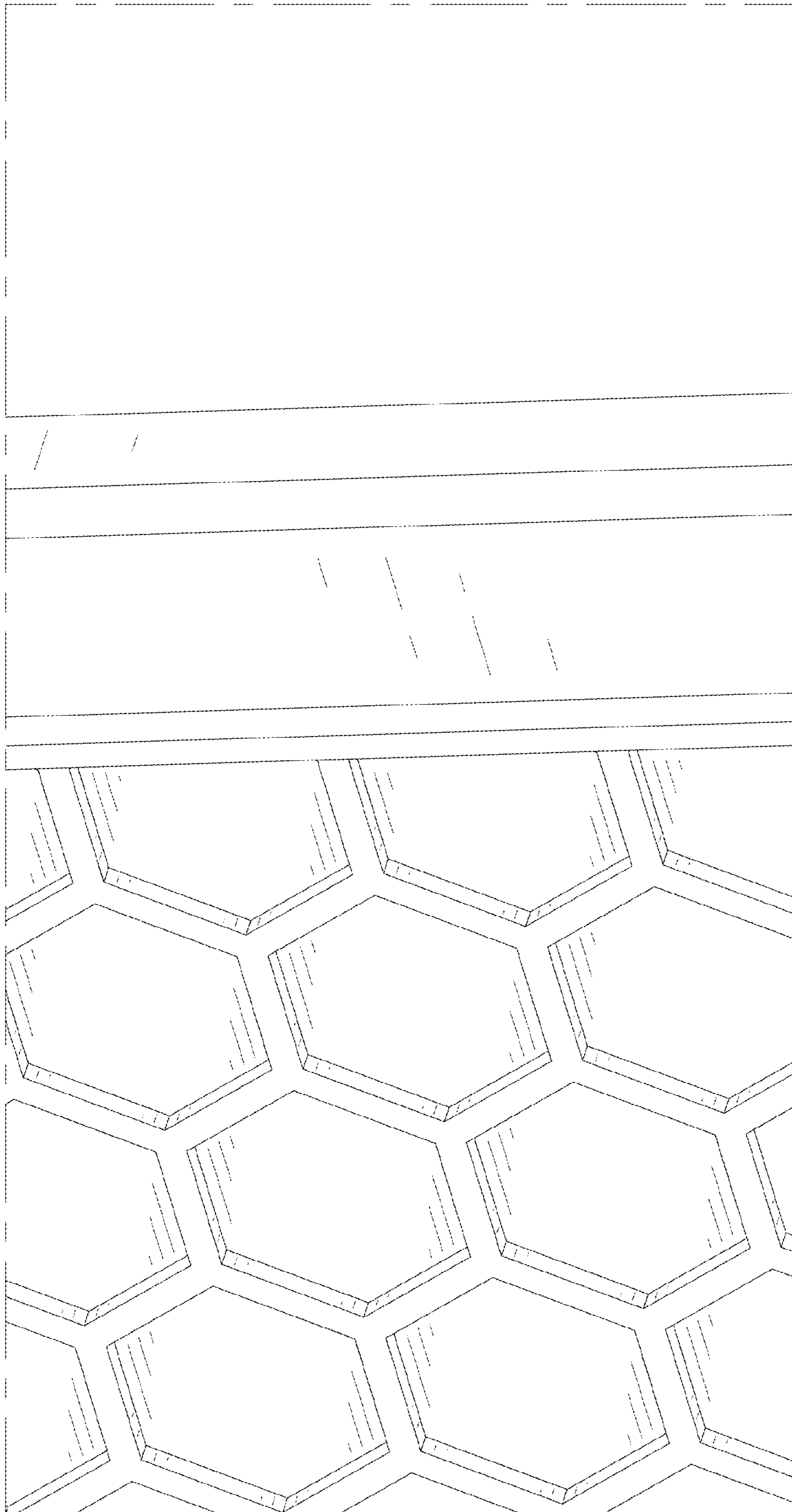


FIG. 13

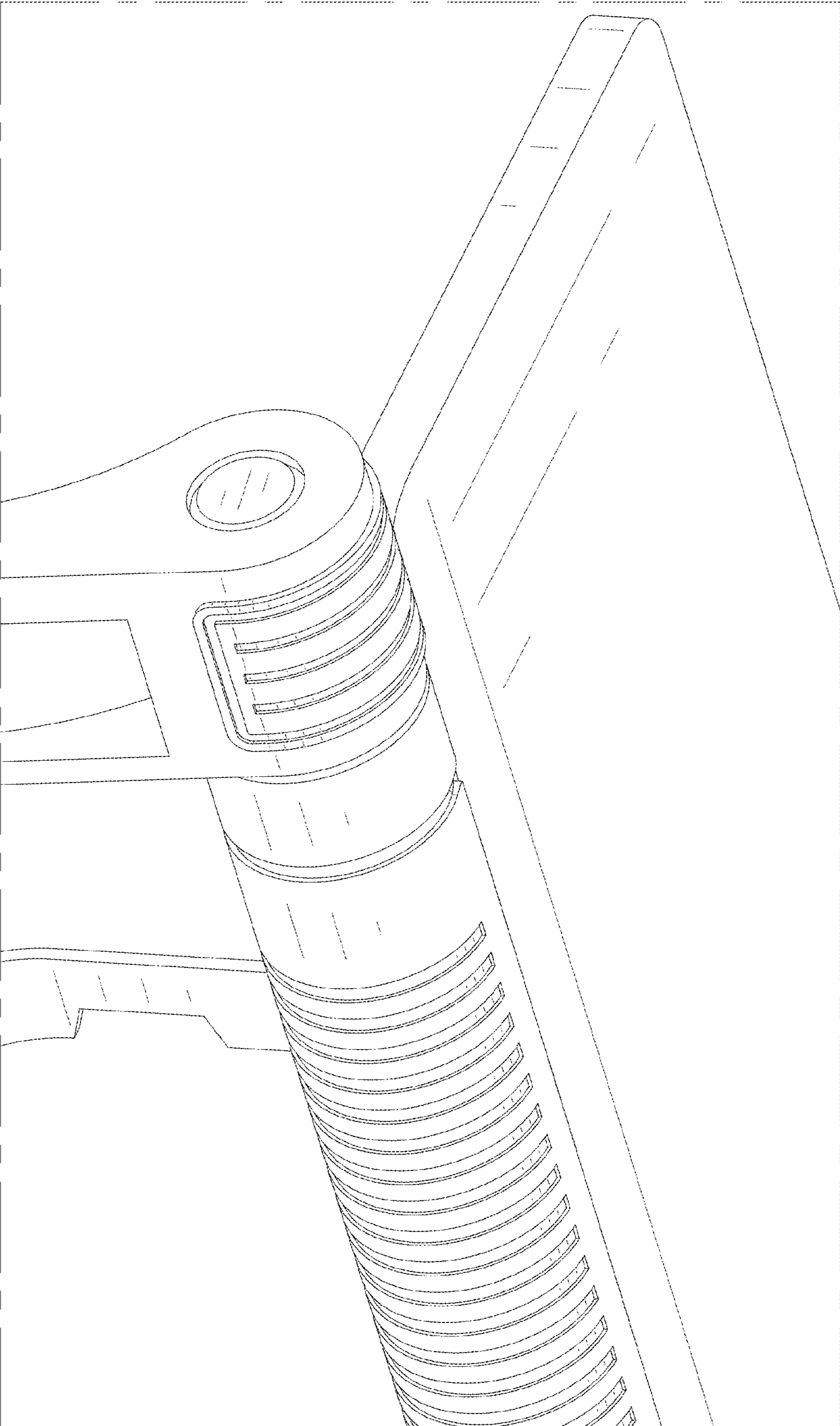


FIG. 14