



US00D895984S

(12) **United States Design Patent** (10) **Patent No.:** **US D895,984 S**  
**Matthewman et al.** (45) **Date of Patent:** **\*\* Sep. 15, 2020**

- (54) **SMART MIRROR WITH TABLET**
- (71) Applicant: **MKM Global Pty Ltd**, Woollahra (AU)
- (72) Inventors: **Richard John Matthewman**, Sydney (AU); **Richard Mathieson Kavanagh**, Sydney (AU)
- (73) Assignee: **MKM Global Pty Ltd.**, Woollahra, New South Wales (AU)
- (\*\*) Term: **15 Years**
- (21) Appl. No.: **29/682,488**
- (22) Filed: **Mar. 5, 2019**
- (51) **LOC (12) Cl.** ..... **06-06**
- (52) **U.S. Cl.**  
USPC ..... **D6/310**; D14/374
- (58) **Field of Classification Search**  
USPC ..... D6/300-314; D14/374, 336  
CPC ..... A47G 1/00; A47G 1/02; A47F 2007/195; G06F 1/1605  
See application file for complete search history.

(56) **References Cited**

**U.S. PATENT DOCUMENTS**

- D345,655 S \* 4/1994 Freebairn ..... D6/308  
D404,576 S \* 1/1999 McEachen ..... D19/113  
D462,181 S \* 9/2002 Vandebussche ..... D6/310  
D543,366 S \* 5/2007 Weatherly ..... D6/312  
D559,577 S \* 1/2008 Quinn ..... D6/300  
D642,148 S \* 7/2011 Kwon ..... D14/126  
D654,450 S \* 2/2012 McManigal ..... D14/129  
D662,071 S \* 6/2012 Chu ..... D14/126  
D727,995 S \* 4/2015 Vilcovsky ..... D16/221

- D787,840 S \* 5/2017 Spigler ..... D6/310  
D829,007 S \* 9/2018 Choi ..... D6/310  
10,318,145 B2 \* 6/2019 Broxson ..... A47G 1/02  
D868,014 S \* 11/2019 Kim ..... D14/126  
2013/0290139 A1 \* 10/2013 Stark ..... G06Q 30/0613  
705/26.61  
2019/0191850 A1 \* 6/2019 Yoganandan ..... G06K 9/00268

\* cited by examiner

*Primary Examiner* — Deanna L Pratt

(74) *Attorney, Agent, or Firm* — Finnegan, Henderson, Farabow, Garrett & Dunner LLP.

(57) **CLAIM**

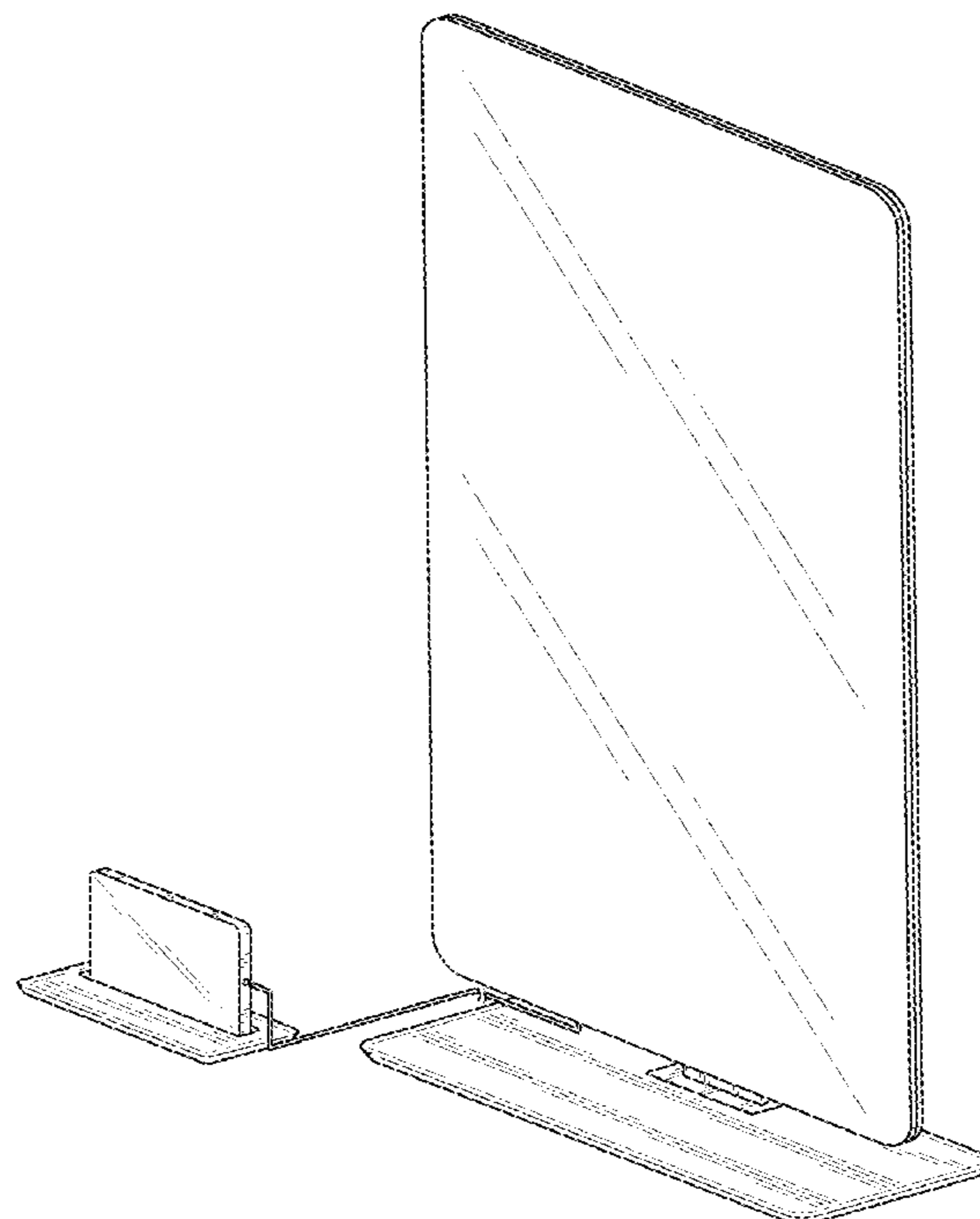
The ornamental design for a smart mirror with tablet, as shown and described.

**DESCRIPTION**

FIG. 1 is a top, front, right perspective view of a smart mirror with tablet, showing our new design;  
FIG. 2 is a bottom, rear, left perspective view thereof;  
FIG. 3 is a front elevation view thereof;  
FIG. 4 is a rear elevation view thereof;  
FIG. 5 is a left side elevation view thereof;  
FIG. 6 is a right side elevation view thereof;  
FIG. 7 is a top plan view thereof; and,  
FIG. 8 is a bottom plan view thereof.

The portions of the smart mirror with tablet depicted in broken dashed lines form no part of the claimed design. The claim is shown with a symbolic break in the length of the connection between the smart mirror with tablet. The appearance of any portion of the connection between the symbolic break forms no part of the claimed design.

**1 Claim, 8 Drawing Sheets**



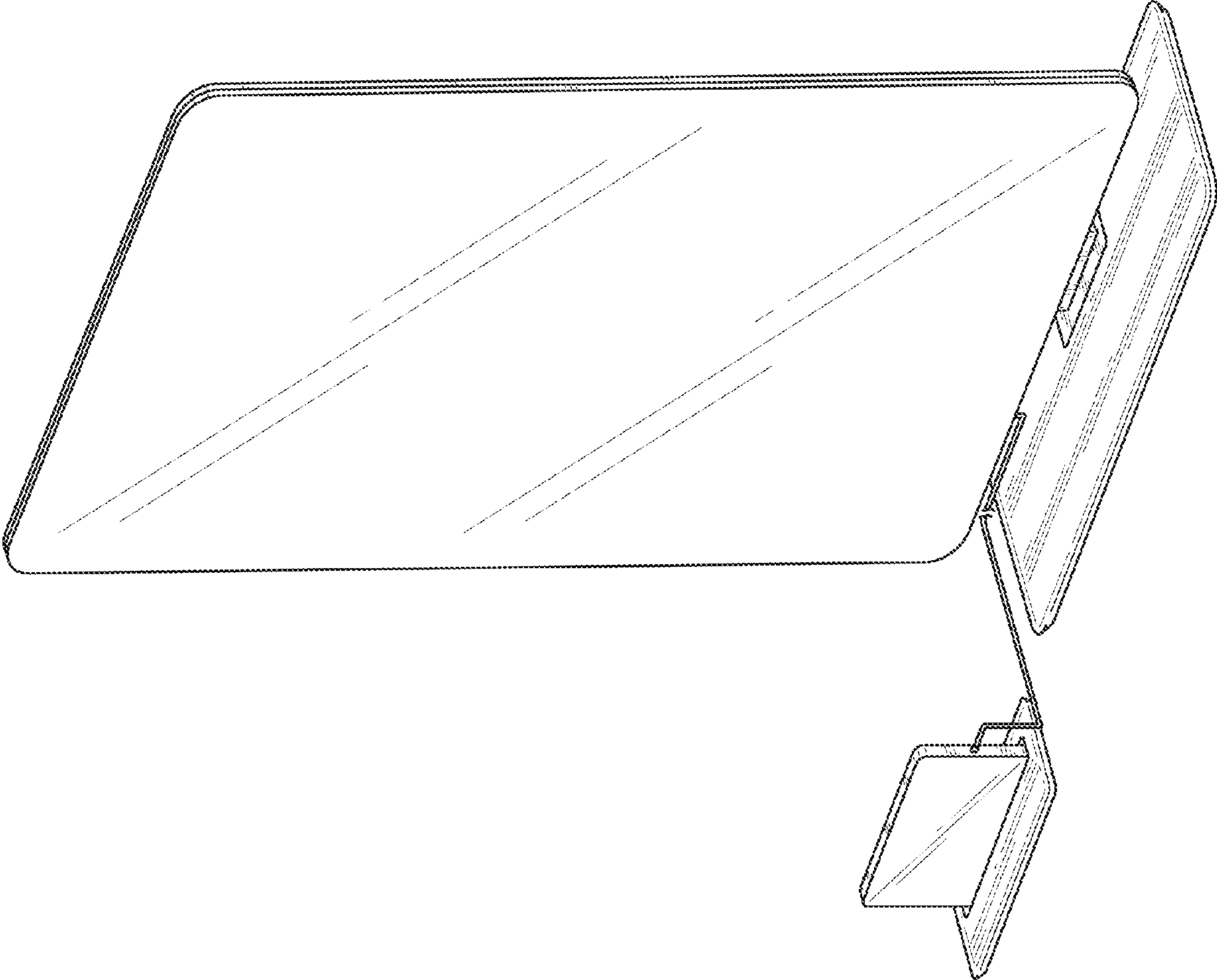


FIG. 1

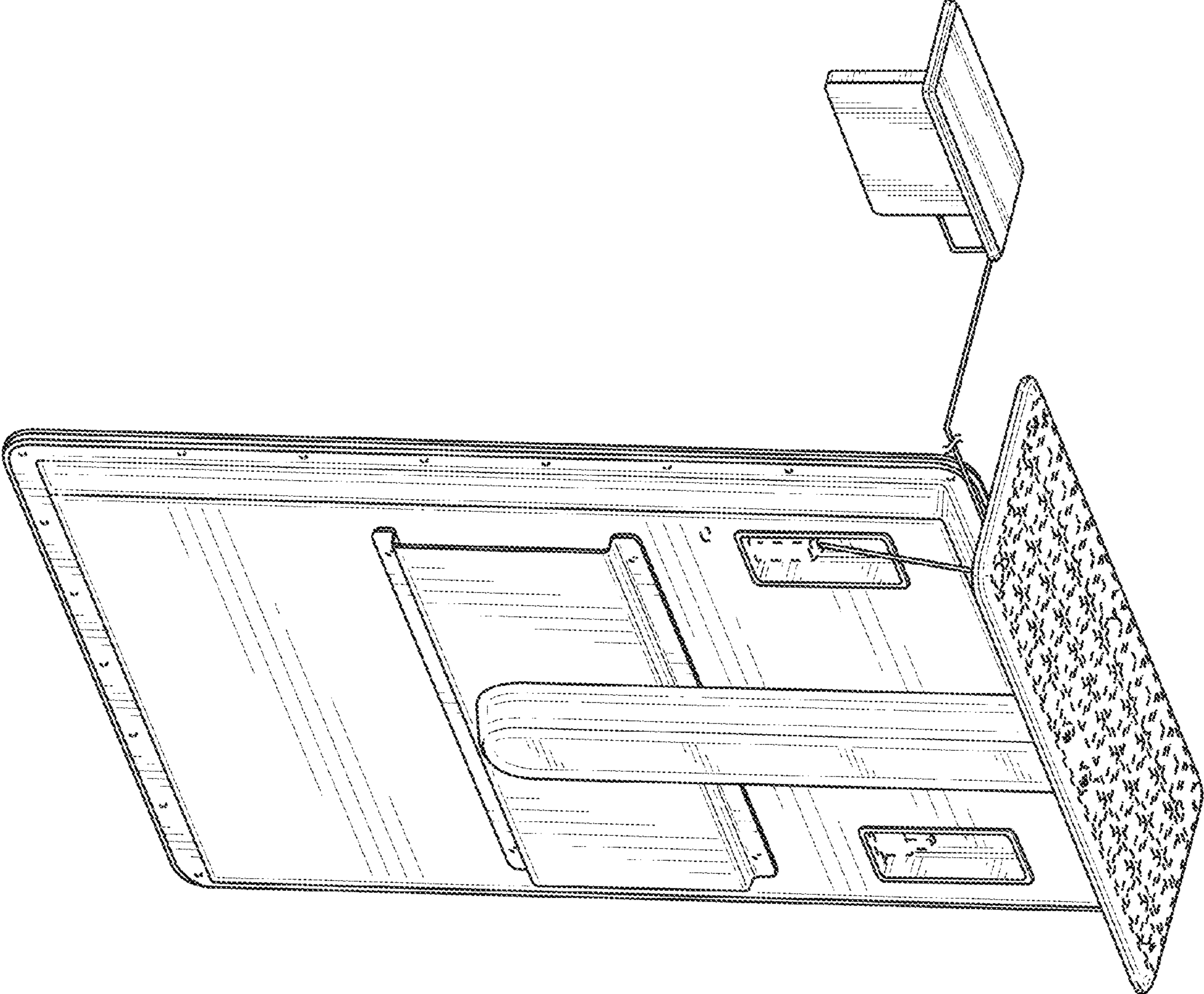


FIG. 2

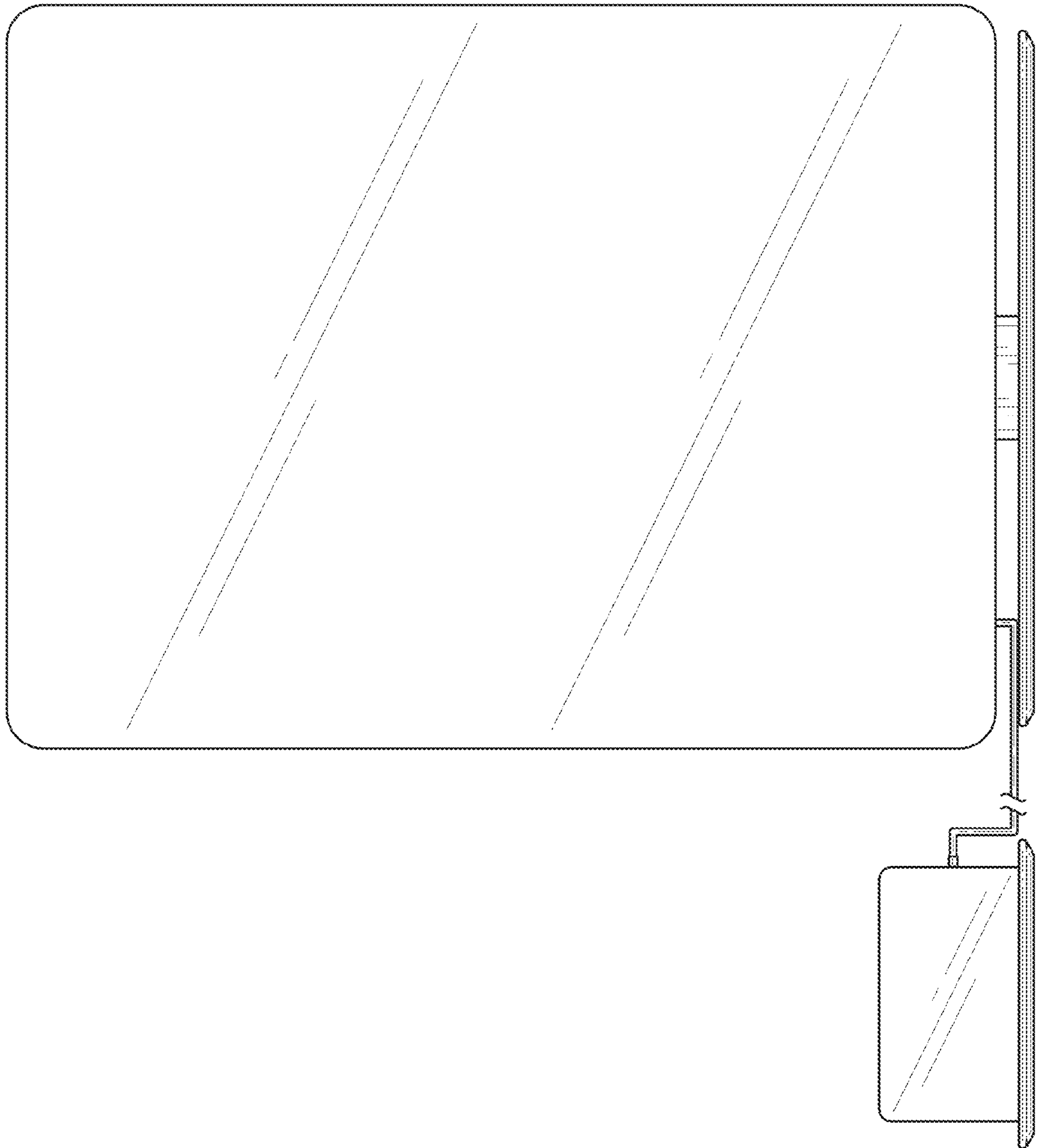


FIG. 3

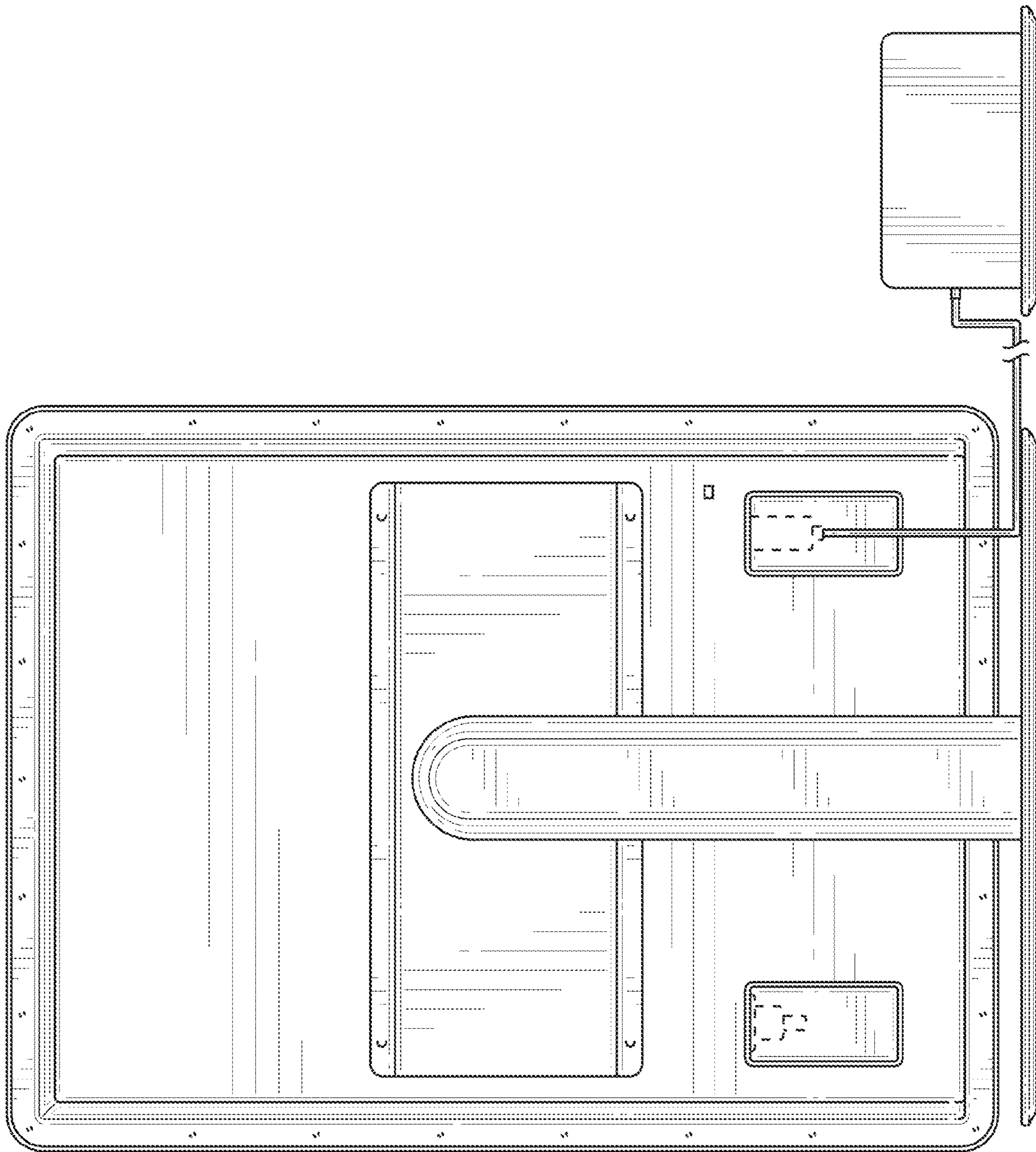


FIG. 4

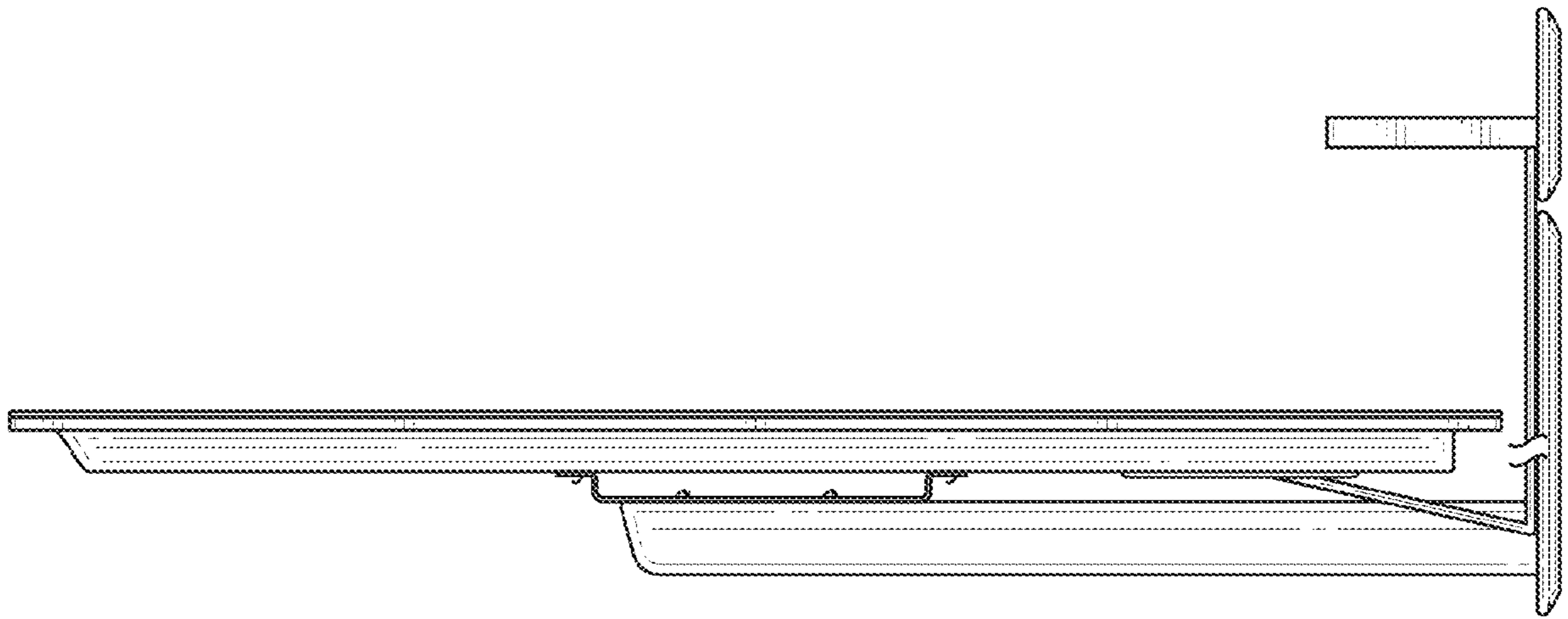


FIG. 5

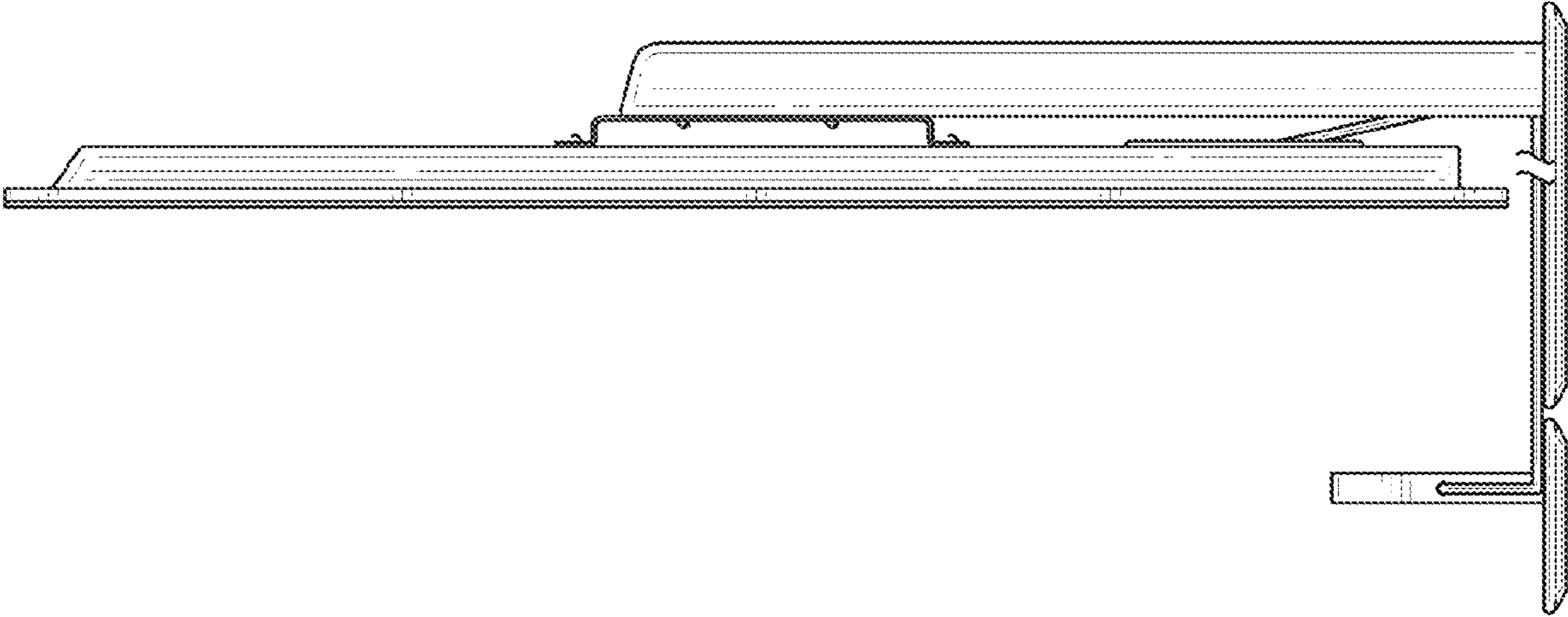


FIG. 6

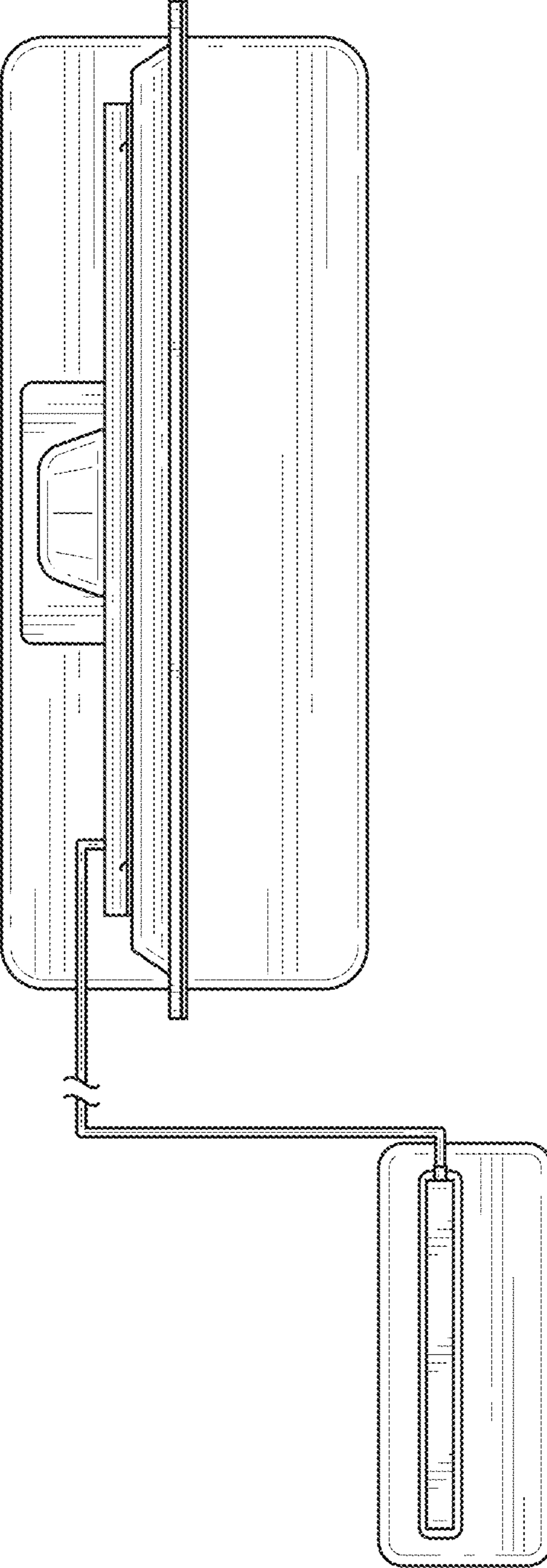
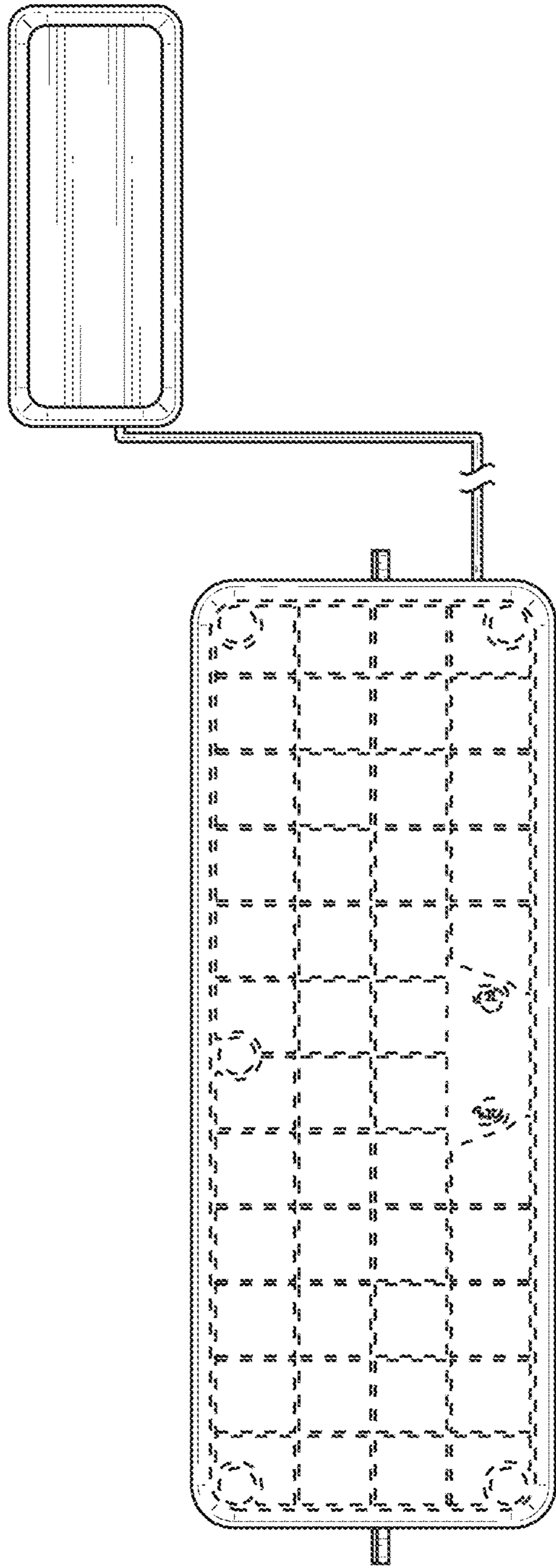


FIG. 7





**FIG. 8**