



US00D895983S

(12) **United States Design Patent**
Matthewman et al.

(10) **Patent No.:** **US D895,983 S**
(45) **Date of Patent:** **** Sep. 15, 2020**

- (54) **SMART MIRROR WITH TABLET**
- (71) Applicant: **MKM Global Pty Ltd**, Woollahra (AU)
- (72) Inventors: **Richard John Matthewman**, Sydney (AU); **Richard Mathieson Kavanagh**, Sydney (AU)
- (73) Assignee: **MKM Global Pty Ltd.**, Woollahra, New South Wales (AU)
- (**) Term: **15 Years**
- (21) Appl. No.: **29/653,753**
- (22) Filed: **Jun. 18, 2018**
- (51) **LOC (12) Cl.** **06-06**
- (52) **U.S. Cl.**
USPC **D6/310; D14/374**
- (58) **Field of Classification Search**
USPC D6/300-314; D14/374, 336
CPC A47G 1/00; A47G 1/02; A47F 2007/195; G06F 1/1605
See application file for complete search history.

- D787,840 S * 5/2017 Spigler D6/310
- D829,007 S * 9/2018 Choi D6/310
- 10,318,145 B2 * 6/2019 Broxson A47G 1/02
- D868,014 S * 11/2019 Kim D14/126
- 2013/0290139 A1 * 10/2013 Stark G06Q 30/0613
705/26.61
- 2019/0191850 A1 * 6/2019 Yoganandan G06K 9/00268

* cited by examiner

Primary Examiner — Deanna L Pratt

(74) *Attorney, Agent, or Firm* — Finnegan, Henderson, Farabow, Garrett & Dunner LLP.

(57) **CLAIM**

The ornamental design for a smart mirror with tablet, as shown and described.

DESCRIPTION

FIG. 1 is a top, front, right perspective view of a smart mirror with tablet, showing the new design; FIG. 2 is a bottom, rear, left perspective view thereof; FIG. 3 is a front elevation view thereof; FIG. 4 is a rear elevation view thereof; FIG. 5 is a left side elevation view thereof; FIG. 6 is a right side elevation view thereof; FIG. 7 is a top plan view thereof; and, FIG. 8 is a bottom plan view thereof.

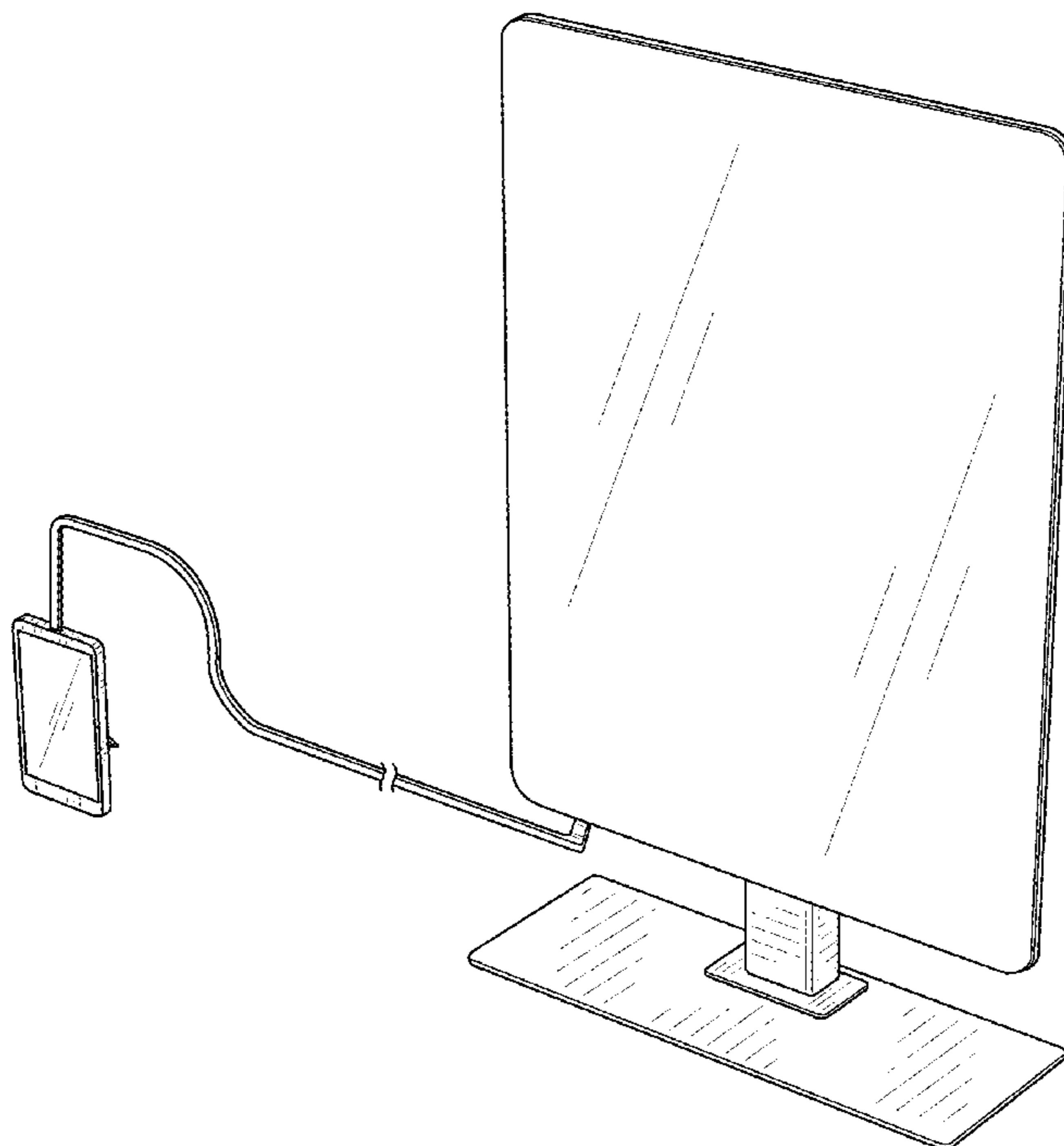
The portions of the smart mirror and tablet depicted in broken dashed lines form no part of the claimed design. The claim is shown with a symbolic break in the length of the connection between the smart mirror and tablet. The appearance of any portion of the connection between the symbolic break forms no part of the claimed design.

1 Claim, 8 Drawing Sheets

(56) **References Cited**

U.S. PATENT DOCUMENTS

- D345,655 S * 4/1994 Freebairn D6/308
- D404,576 S * 1/1999 McEachen D19/113
- D462,181 S * 9/2002 Vandebussche D6/310
- D543,366 S * 5/2007 Weatherly D6/312
- D559,577 S * 1/2008 Quinn D6/300
- D642,148 S * 7/2011 Kwon D14/126
- D654,450 S * 2/2012 McManigal D14/129
- D662,071 S * 6/2012 Chu D14/126
- D727,995 S * 4/2015 Vilcovsky D16/221



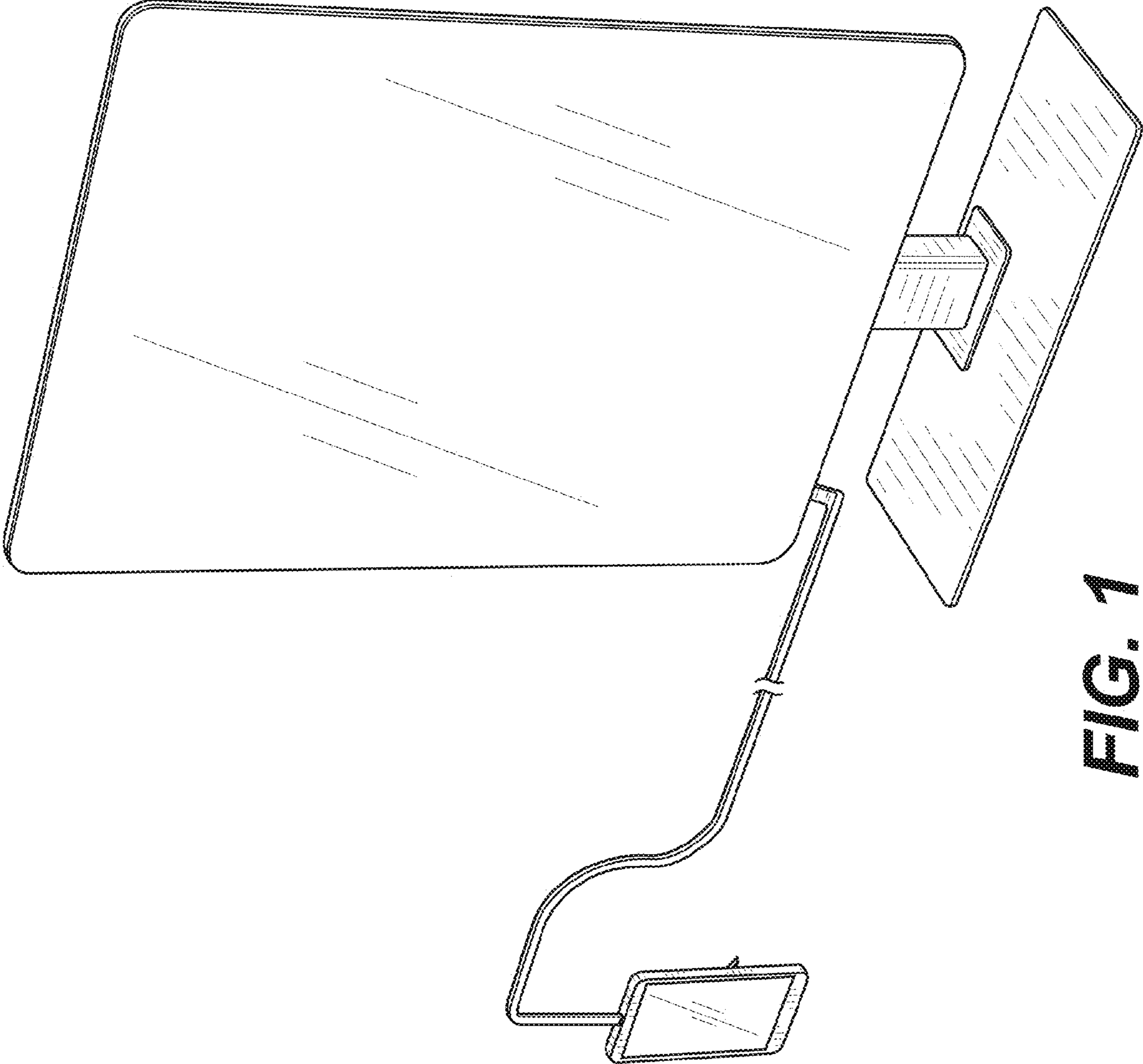


FIG. 1

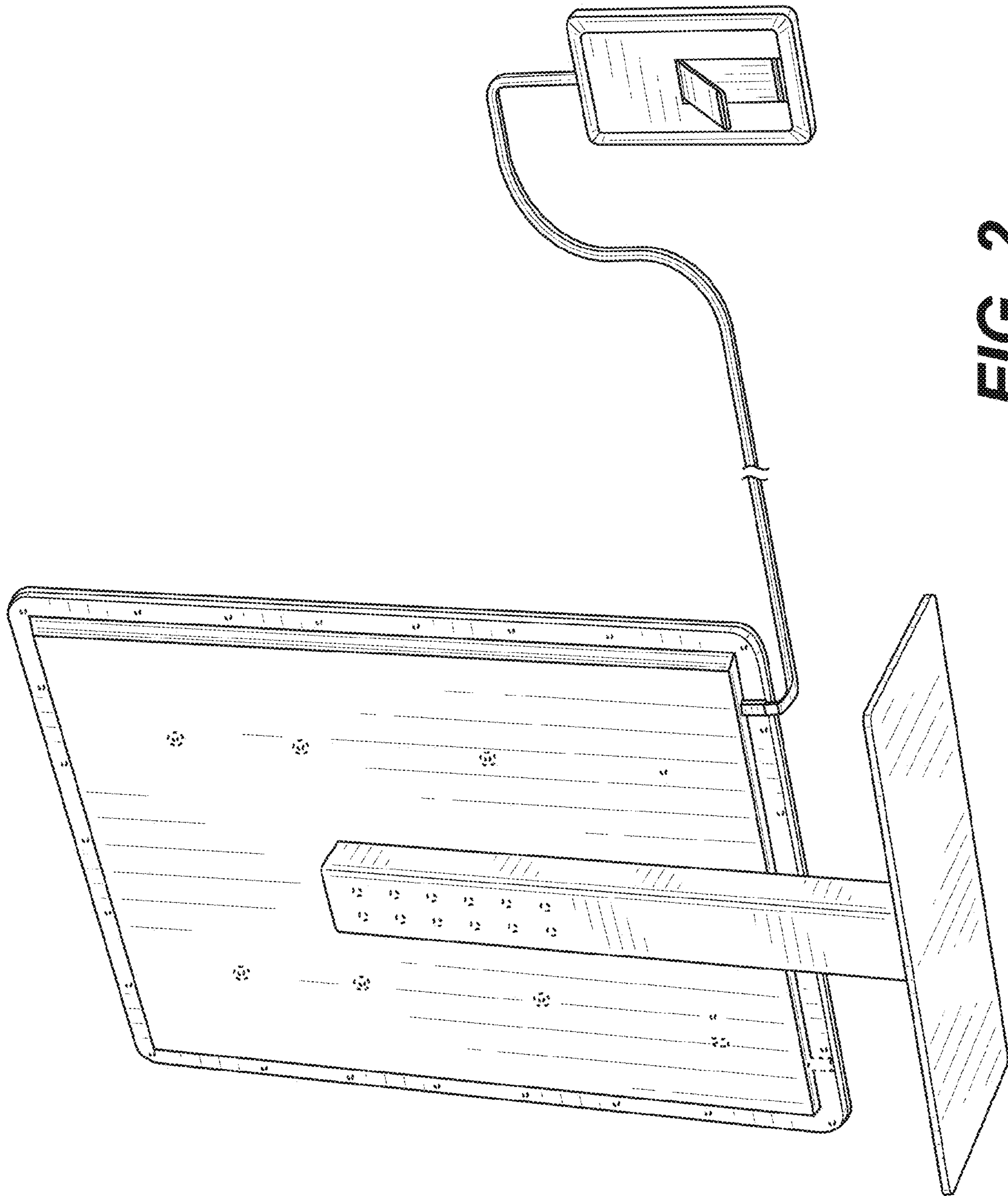


FIG. 2

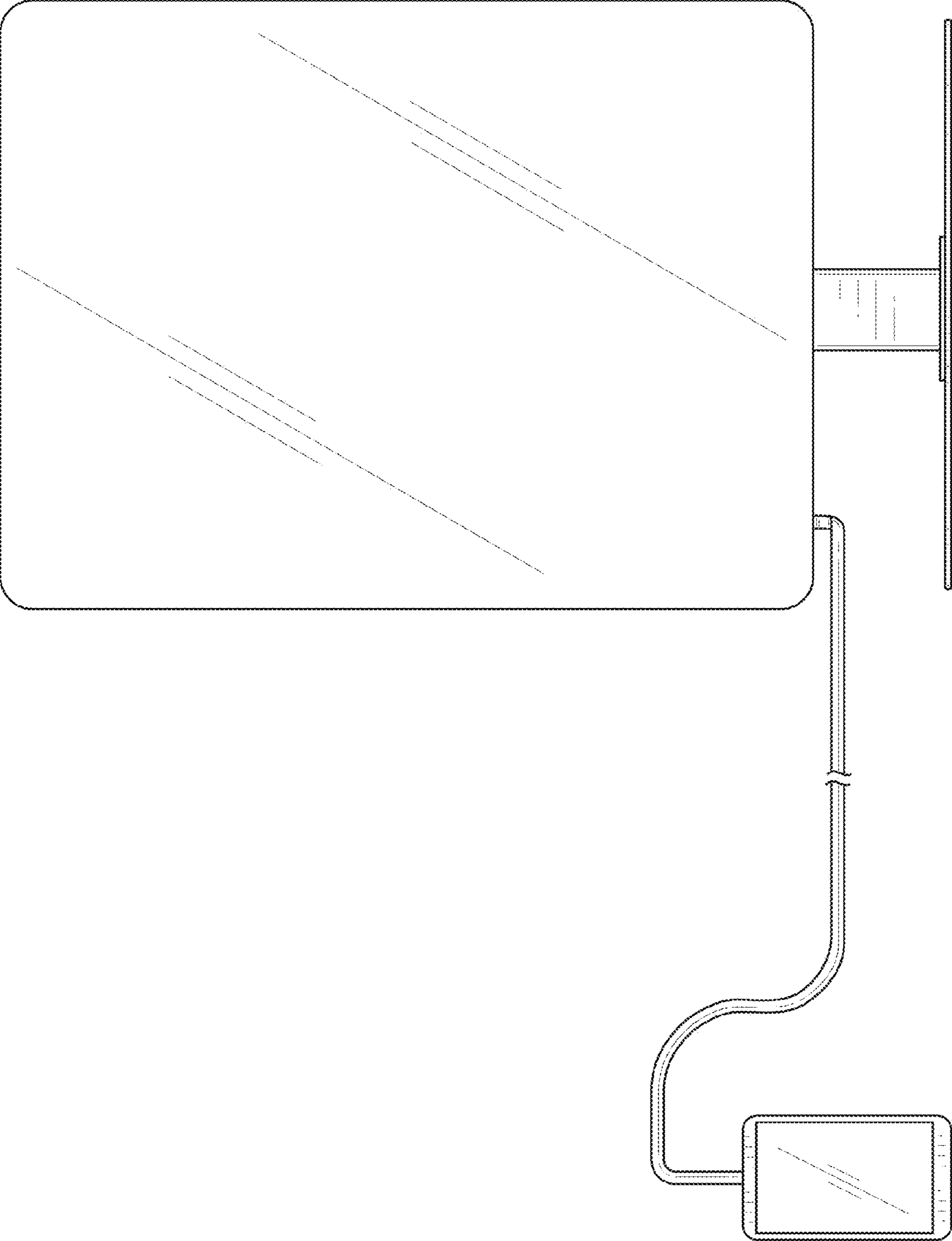


FIG. 3

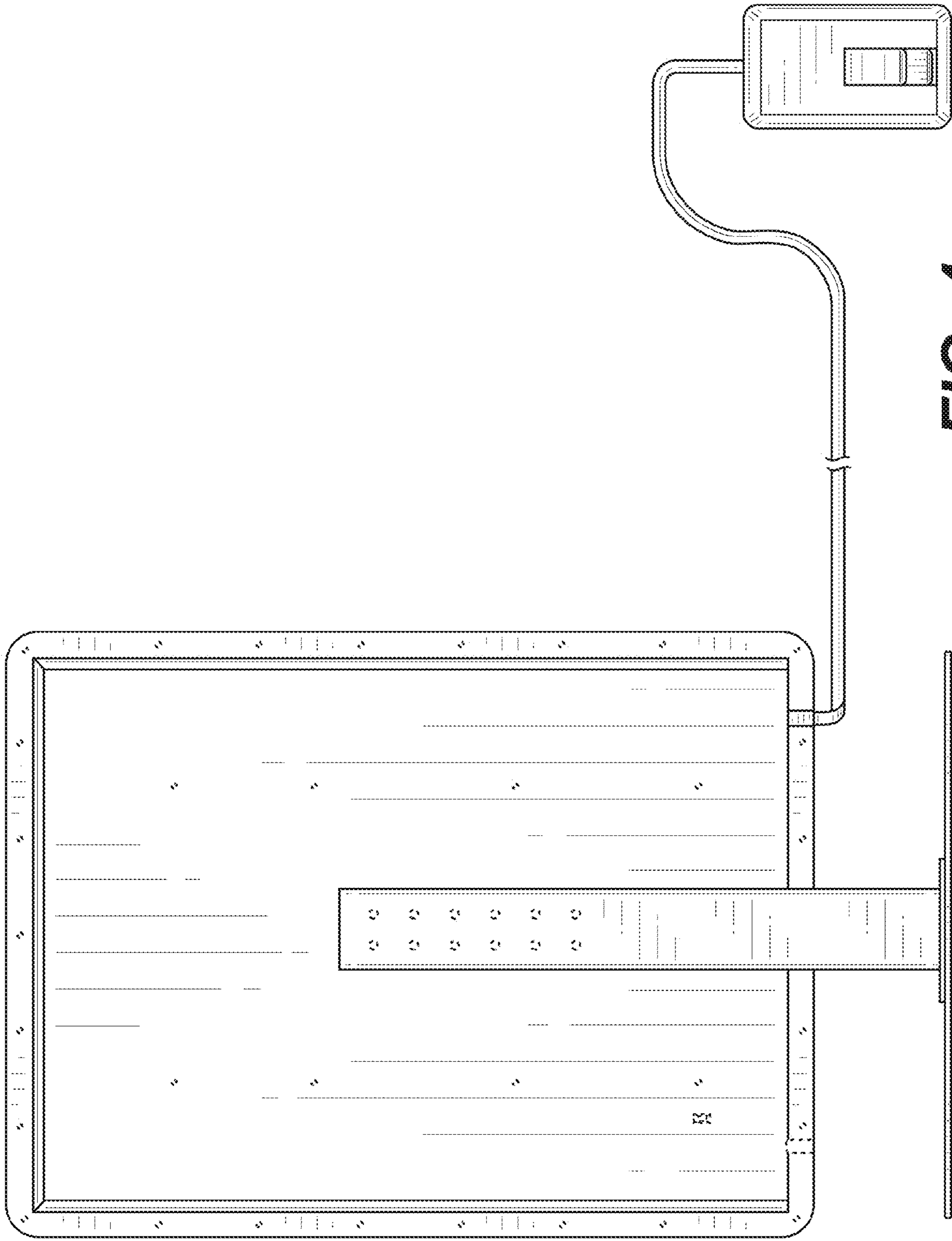


FIG. 4

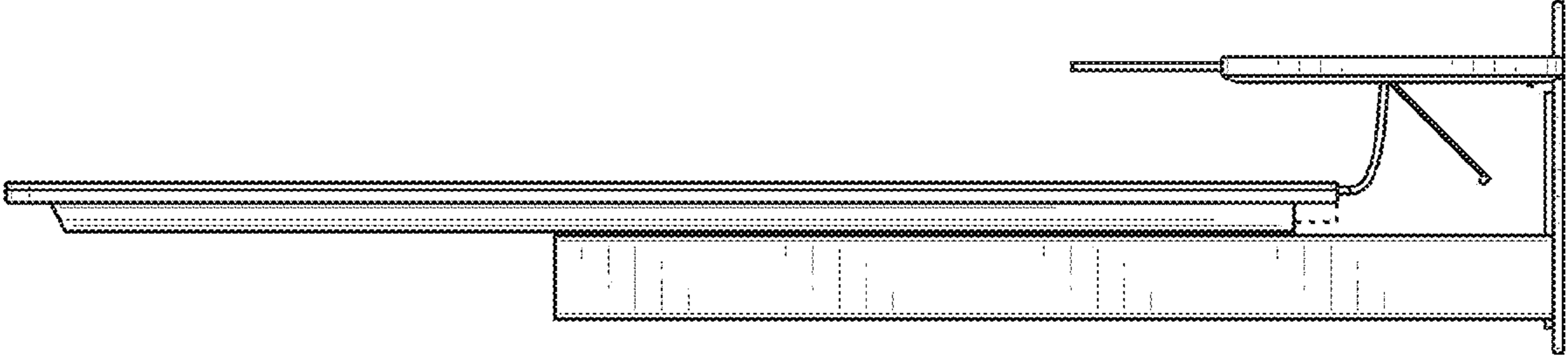


FIG. 5

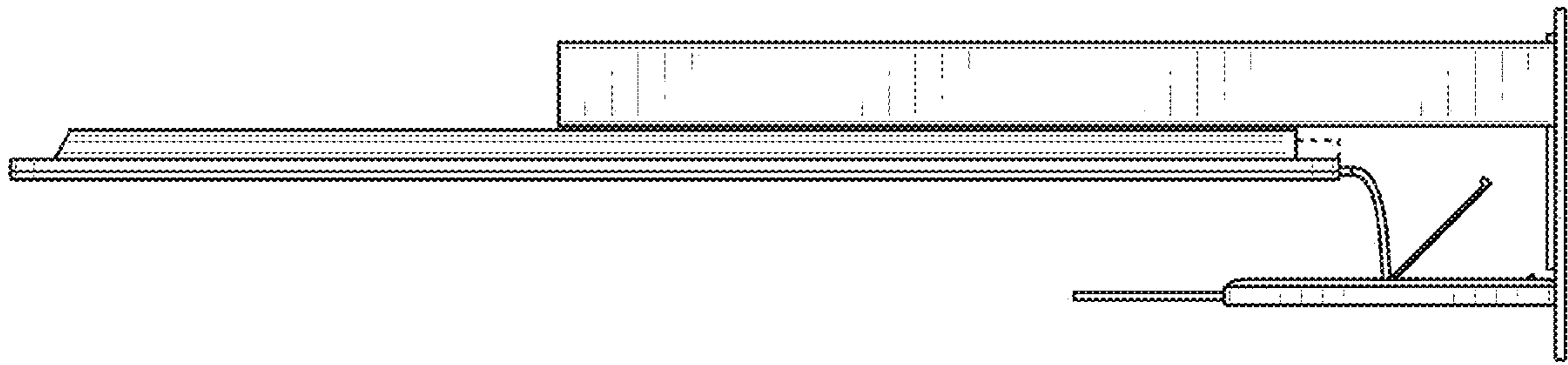


FIG. 6

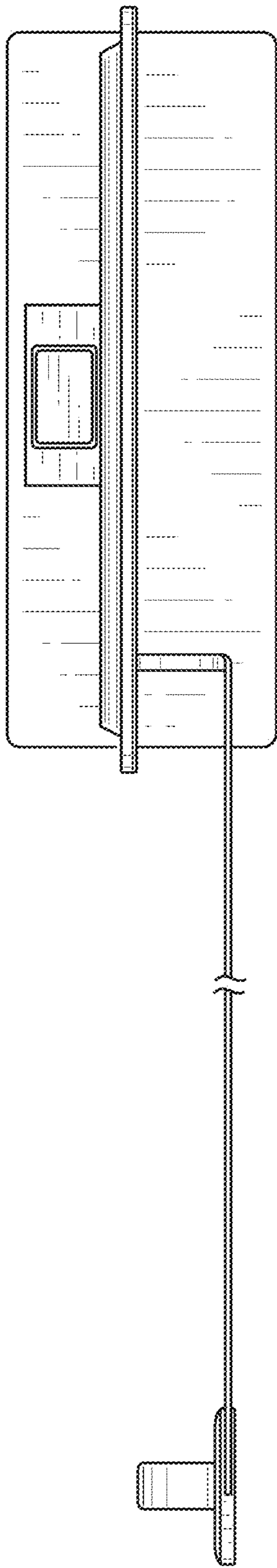


FIG. 7

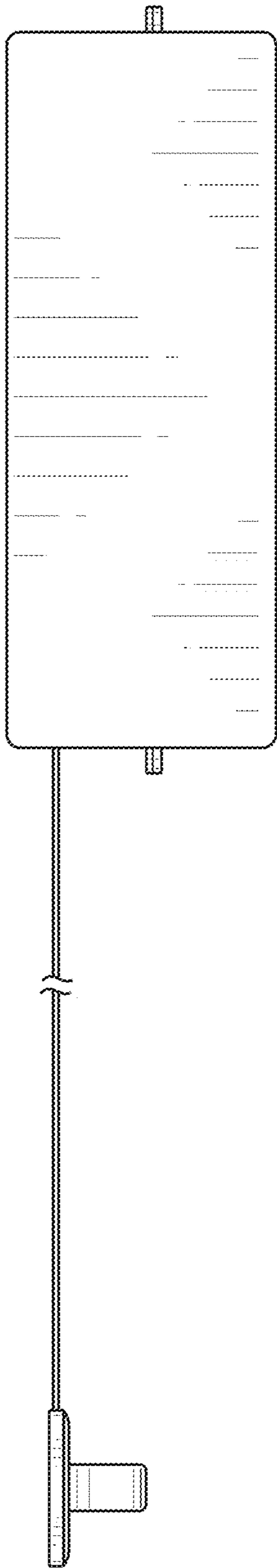


FIG. 8