



US00D895982S

(12) **United States Design Patent**
Yang

(10) **Patent No.:** **US D895,982 S**

(45) **Date of Patent:** **** Sep. 15, 2020**

(54) **BATHROOM MIRROR WITH RAZOR HOOK**

(71) Applicant: **Dongguan Powerme Plastic Mfg. Co., Ltd.**, Dongguan, GD (CN)

(72) Inventor: **Guowei Yang**, Jiangmen (CN)

(**) Term: **15 Years**

(21) Appl. No.: **29/694,097**

(22) Filed: **Jun. 7, 2019**

(51) **LOC (12) Cl.** **06-07**

(52) **U.S. Cl.**
USPC **D6/309**

(58) **Field of Classification Search**
USPC D6/300-314
CPC A45D 42/00; A45D 42/24; A45D 42/14;
A45D 42/16; A45D 42/10; A45D 42/08;
F21V 21/0965; F21V 21/30; F21V
33/004; A47G 1/00; A47G 1/02; A47G
1/06; A47G 1/0616; A47G 1/14; A47G
1/141

See application file for complete search history.

(56) **References Cited**

U.S. PATENT DOCUMENTS

D258,474 S *	3/1981	Edstrom	D6/526
D258,475 S *	3/1981	Edstrom	D6/526
D300,406 S *	3/1989	Bordian	248/304
D358,715 S *	5/1995	Young	D6/300
D377,421 S *	1/1997	Young	D6/300
D465,933 S *	11/2002	Henderson	D6/309

D486,962 S *	2/2004	Snell	D6/309
D491,502 S *	6/2004	Berger	D12/187
D492,493 S *	7/2004	Dretzka	D6/309
D505,555 S *	5/2005	Snell	D6/309
D569,671 S *	5/2008	Thompson	D6/568
D646,493 S *	10/2011	Yang	D6/300
D660,369 S *	5/2012	Podd	D20/42
D665,030 S *	8/2012	Podd	D20/42
D812,383 S *	3/2018	Kwiatkowski	D6/300
D865,375 S *	11/2019	Yang	D6/310
D870,645 S *	12/2019	Yang	D12/416
D873,580 S *	1/2020	McGarry	D6/526
D874,180 S *	2/2020	McGarry	D6/526
2007/0086183 A1 *	4/2007	Foster	A47G 1/02 362/135

* cited by examiner

Primary Examiner — W. A. Teddy Falloway

(74) *Attorney, Agent, or Firm* — Erson IP (Nelson IP)

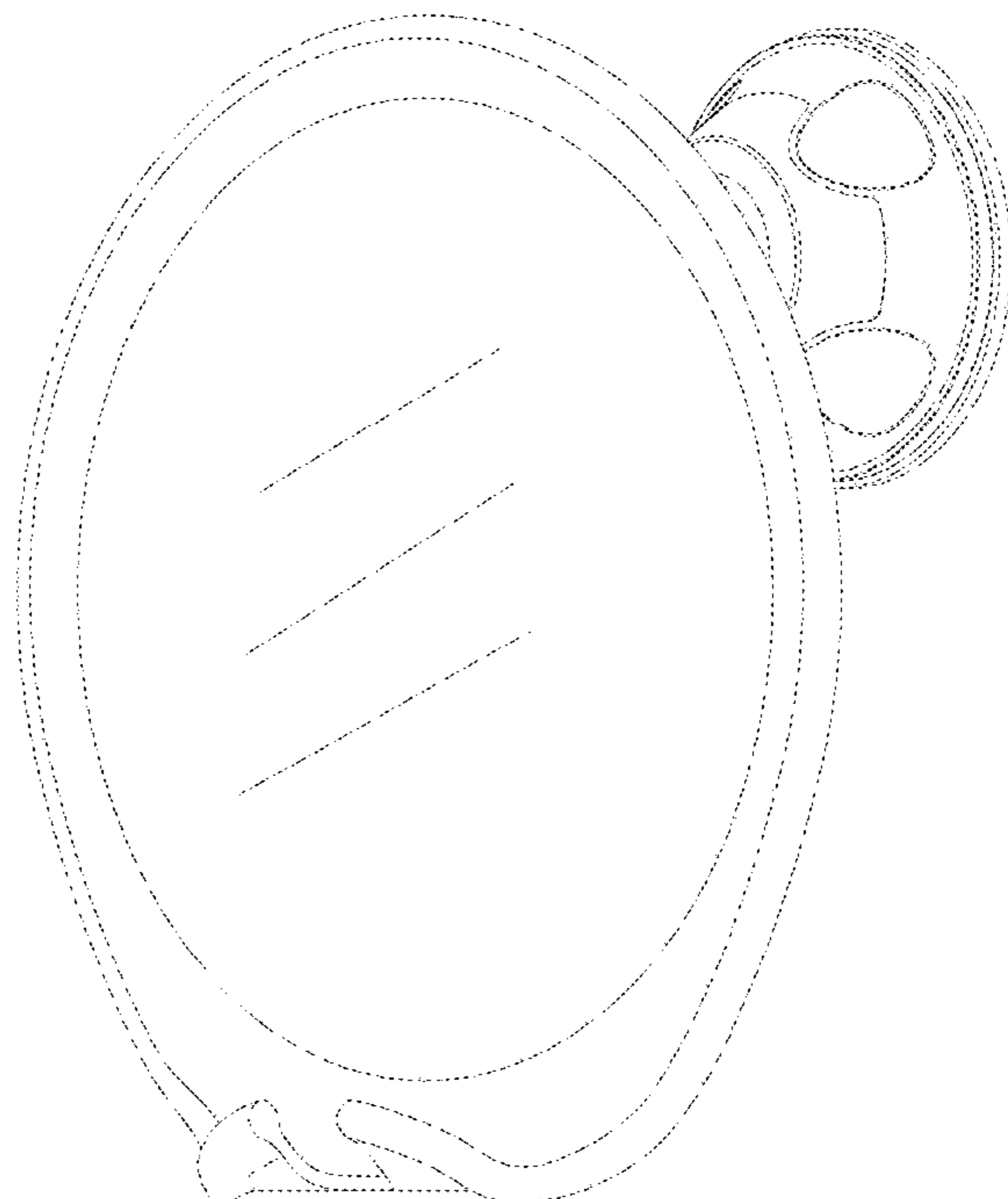
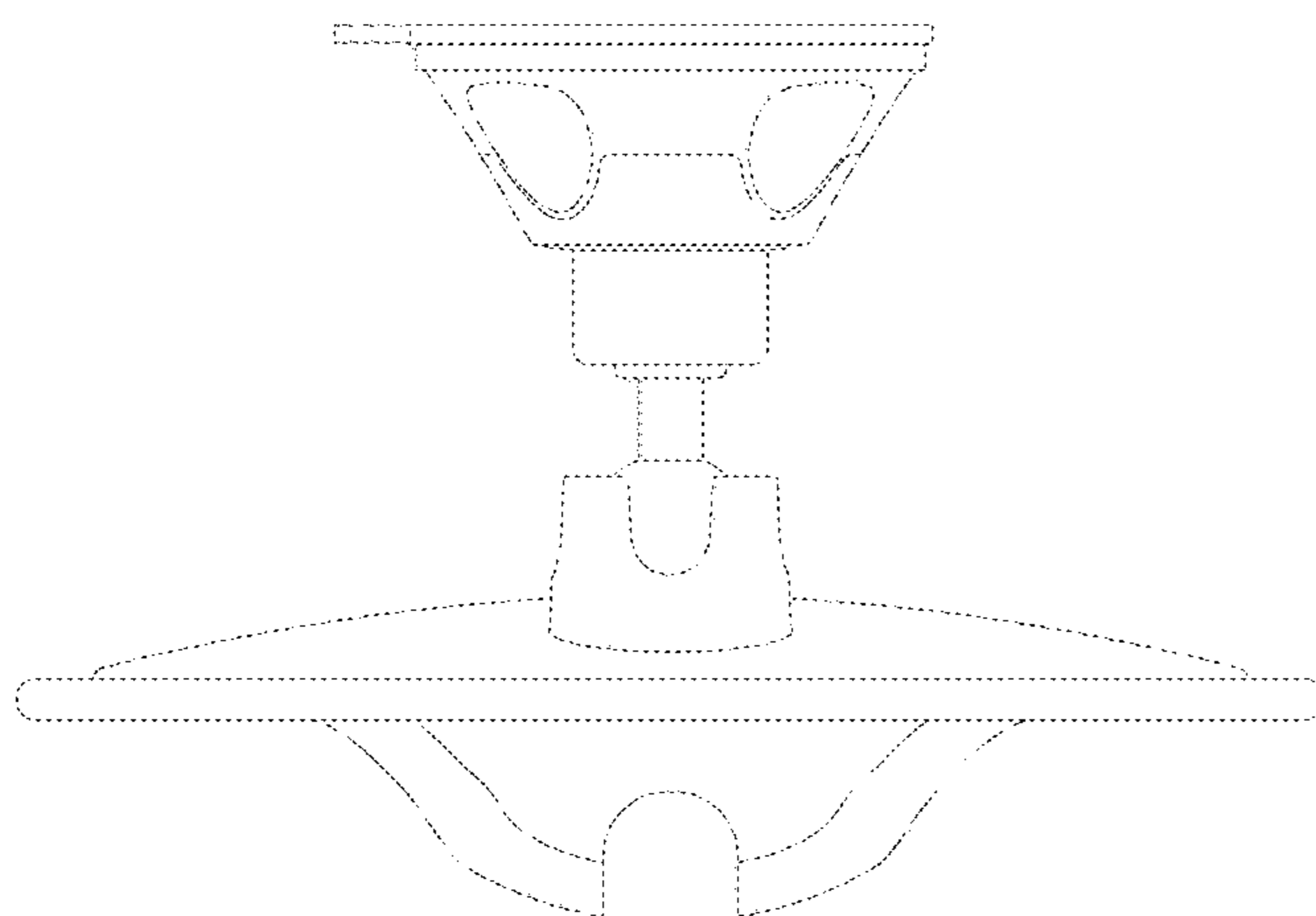
(57) **CLAIM**

The ornamental design for a bathroom mirror with razor hook, as shown and described.

DESCRIPTION

FIG. 1 is a front elevational view of a bathroom mirror with razor hook showing my new design;
FIG. 2 is a rear elevational view thereof;
FIG. 3 is a left side view thereof;
FIG. 4 is a right side view thereof;
FIG. 5 is a top plan view thereof;
FIG. 6 is a bottom plan view thereof; and,
FIG. 7 is a perspective view thereof.

1 Claim, 7 Drawing Sheets



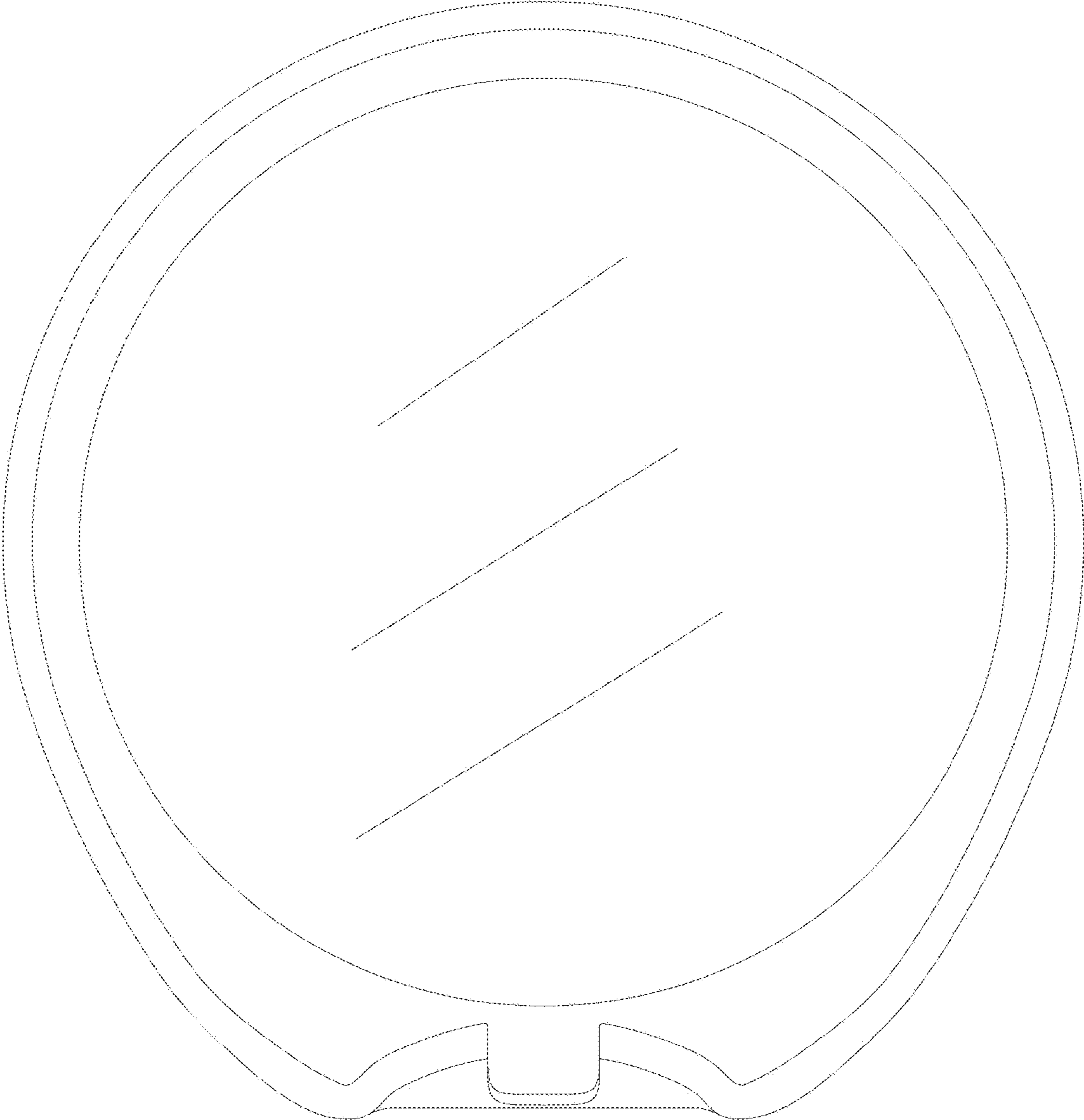


FIG. 1

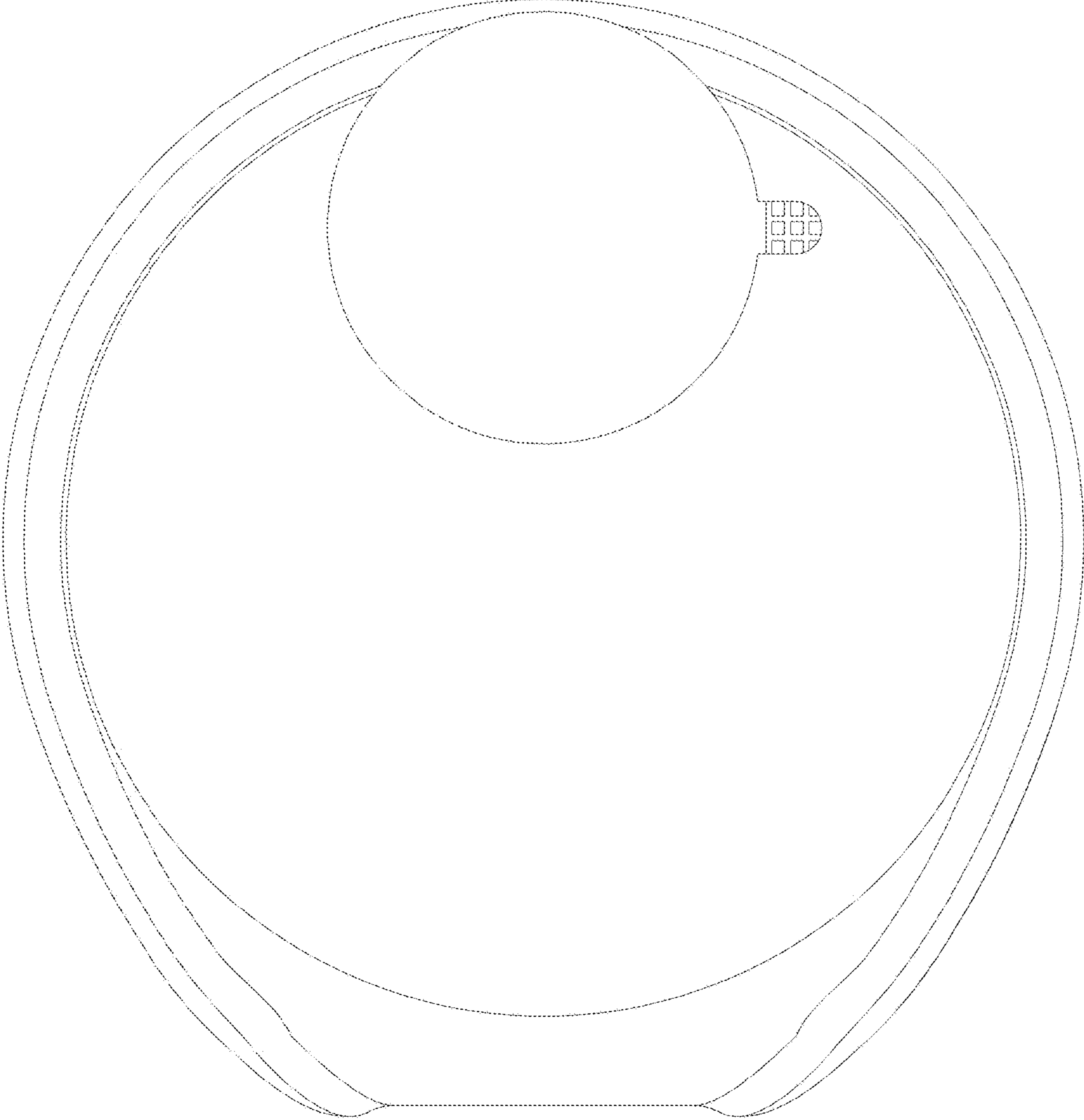


FIG. 2

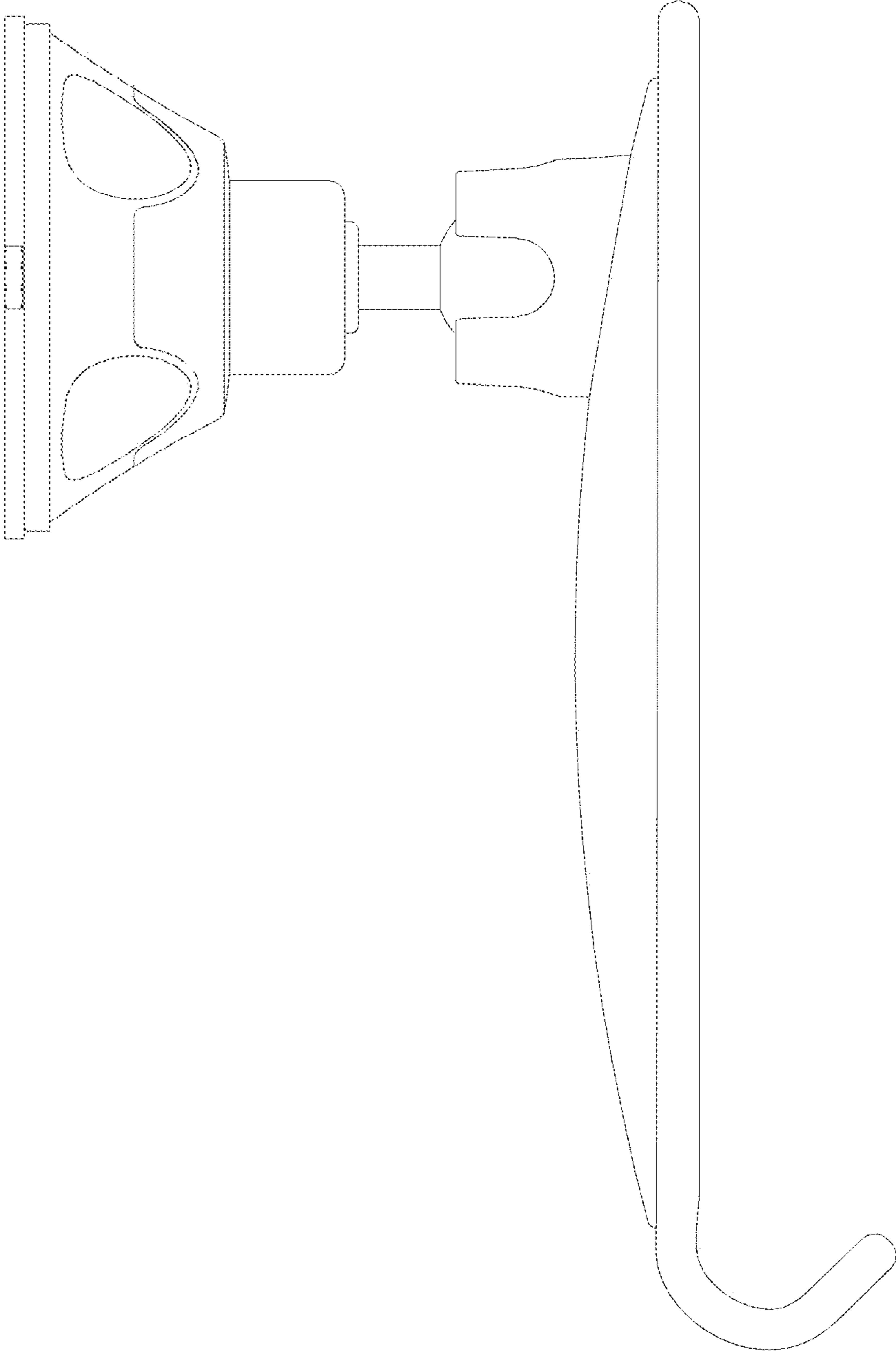


FIG. 3

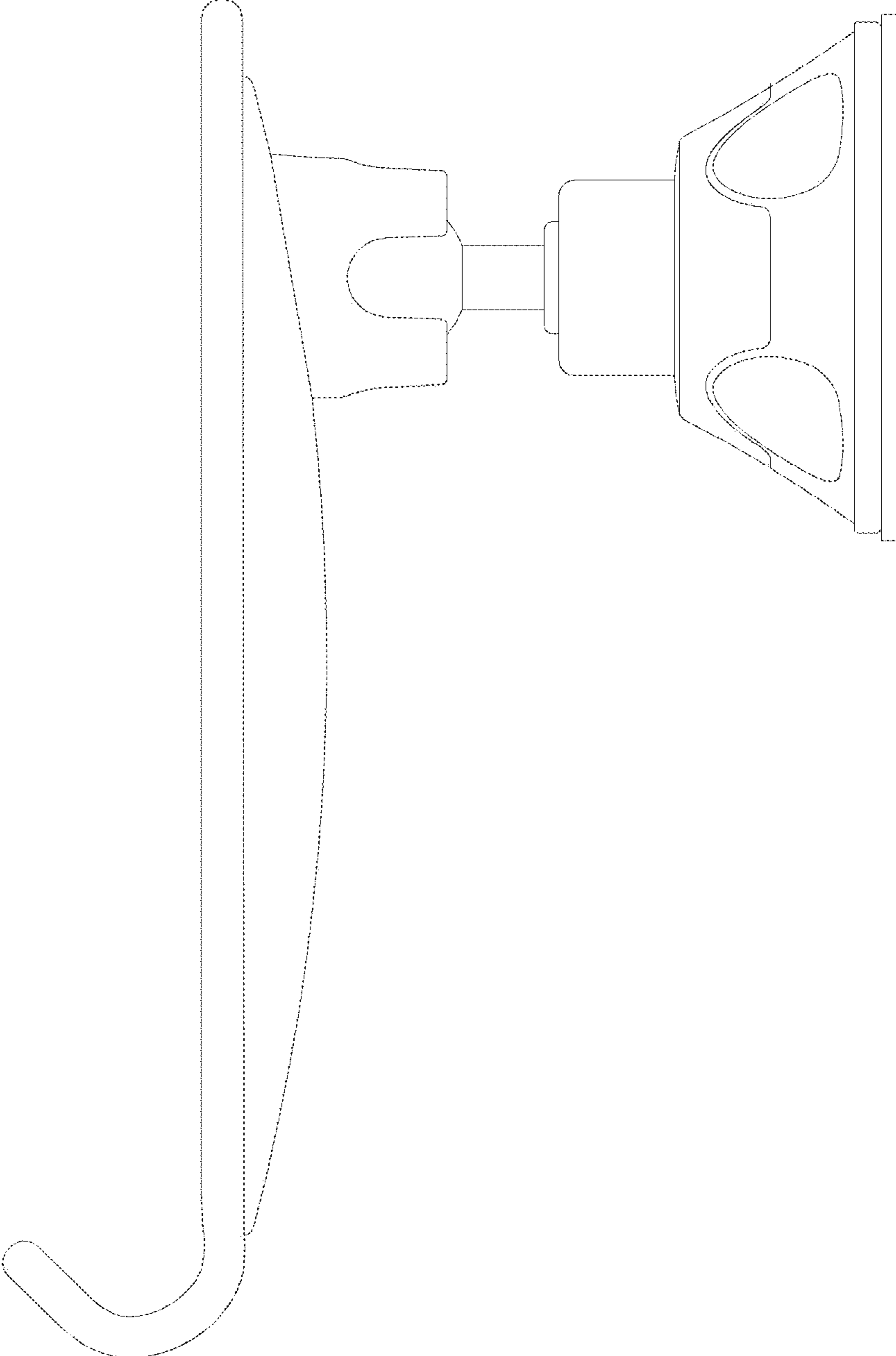


FIG. 4

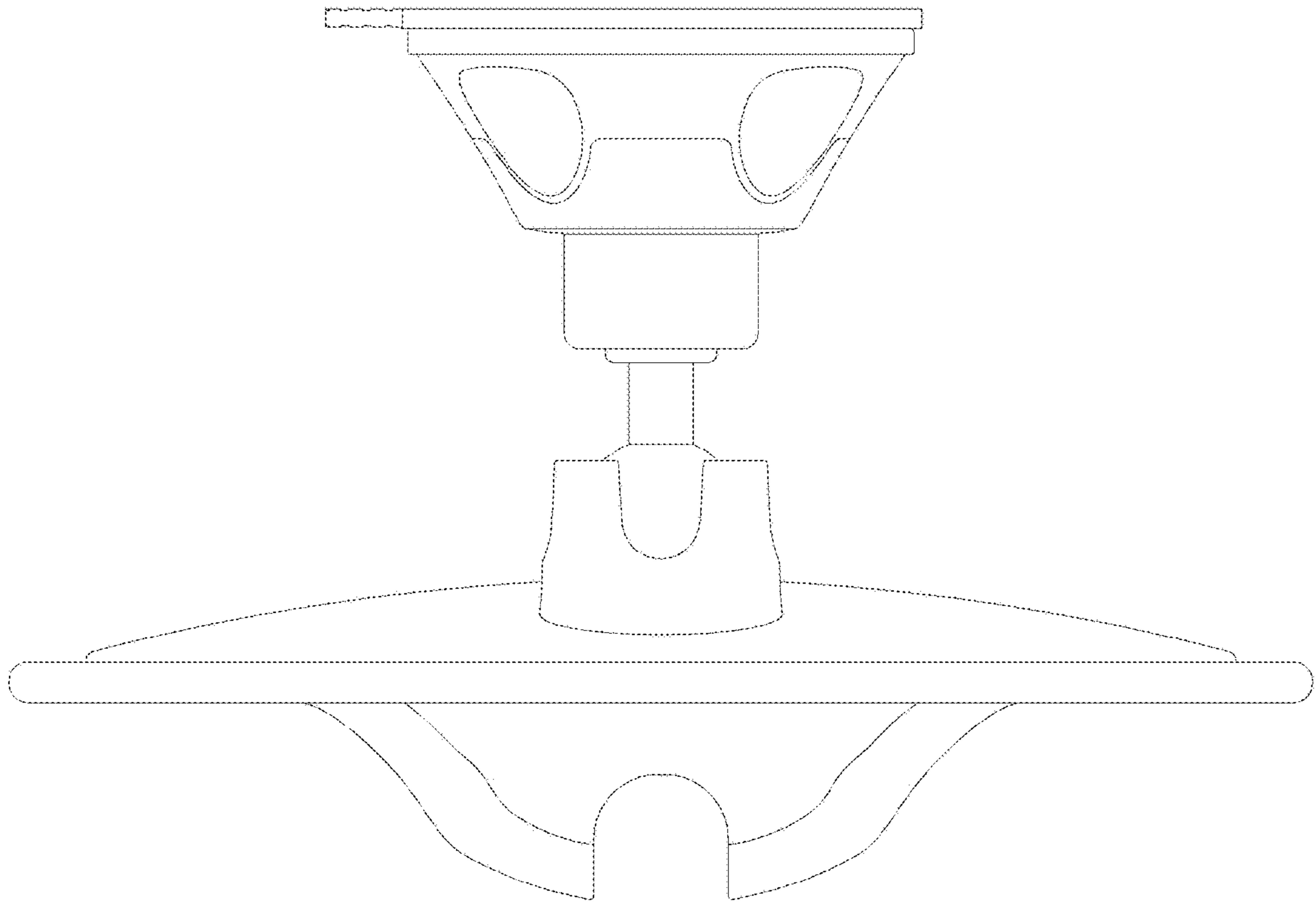


FIG. 5

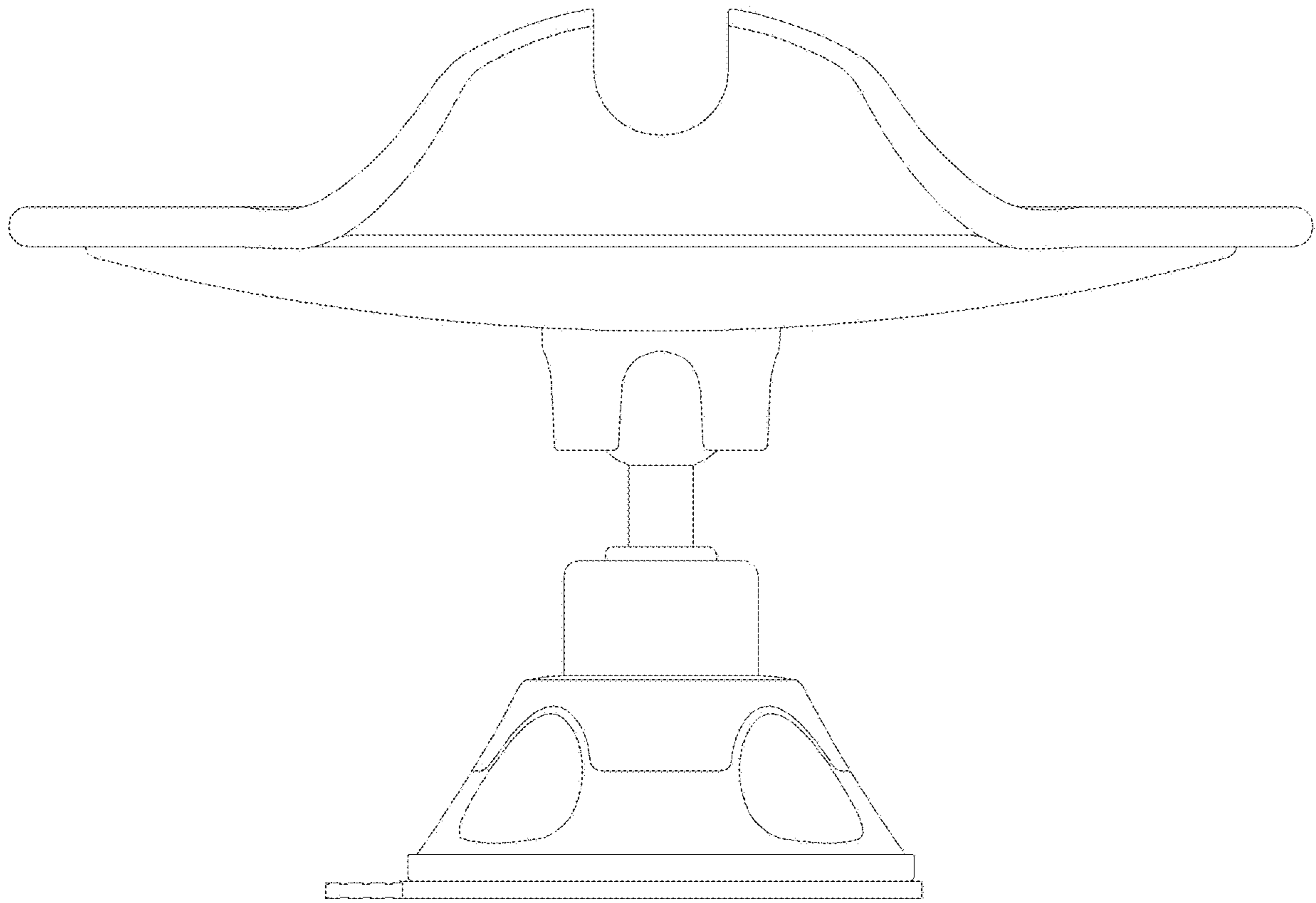


FIG. 6

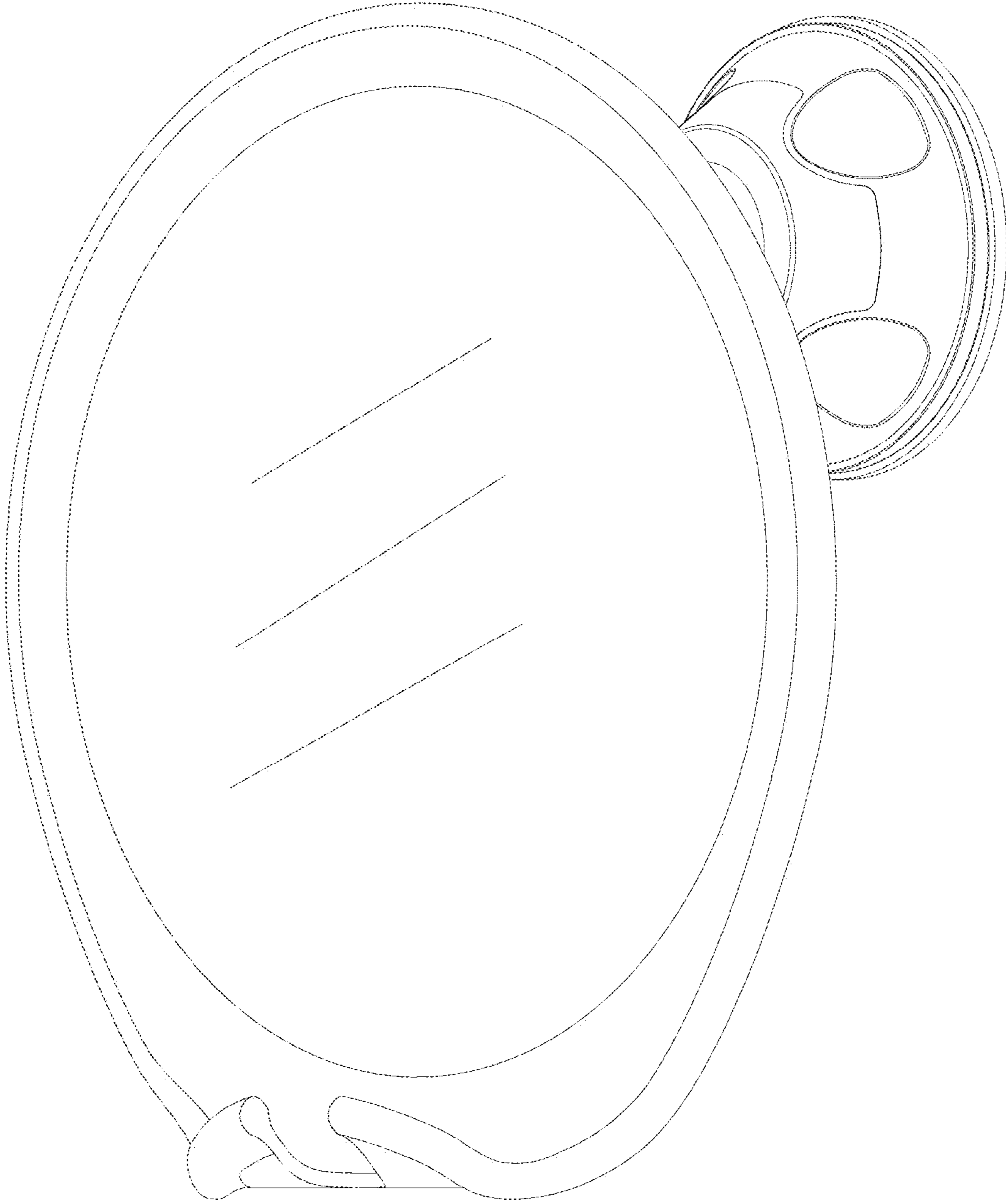


FIG. 7