



US00D895978S

(12) **United States Design Patent** (10) **Patent No.:** **US D895,978 S**
Yamamura (45) **Date of Patent:** **** Sep. 15, 2020**

- (54) **TOOTHBRUSH** D459,585 S * 7/2002 Moreno D4/108
7,917,986 B2 * 4/2011 Jimenez A46B 5/0095
15/167.1
- (71) Applicant: **MIND UP CORP.**, Shimoiiida, Kofu-shi, Yamanashi (JP) D812,912 S * 3/2018 Eidenbenz D4/111
D842,614 S * 3/2019 Zavalloni D4/110
10,231,808 B2 * 3/2019 Zmiyiwsky A61C 15/02
- (72) Inventor: **Satoshi Yamamura**, Kofu (JP) D853,732 S * 7/2019 Wainless D4/104
D871,769 S * 1/2020 Frand D4/101
- (73) Assignee: **MIND UP CORP.**, Yamanashi (JP) 2002/0138931 A1 * 10/2002 Davies A46B 5/02
15/167.1
- (**) Term: **15 Years** 2003/0088933 A1 * 5/2003 Woods A46B 5/00
15/167.1

(21) Appl. No.: **35/506,472**

(22) Filed: **Sep. 25, 2018**

(80) **Hague Agreement Data**

Int. Filing Date: **Sep. 25, 2018**
Int. Reg. No.: **DM/103192**
Int. Reg. Date: **Sep. 25, 2018**
Int. Reg. Pub. Date: **Mar. 29, 2019**

(51) **LOC (12) Cl.** **04-02**

(52) **U.S. Cl.**
USPC **D4/104**

(58) **Field of Classification Search**
USPC D4/104, 101, 110
CPC A46B 5/00; A46B 5/02; A46B 5/0095;
A61C 15/02
See application file for complete search history.

(56) **References Cited**

U.S. PATENT DOCUMENTS

D347,944 S * 6/1994 Honora D4/108
D420,804 S * 2/2000 Juhlin D4/104

* cited by examiner

Primary Examiner — Rhea Shields
(74) *Attorney, Agent, or Firm* — Browdy and Neimark, P.L.L.C.

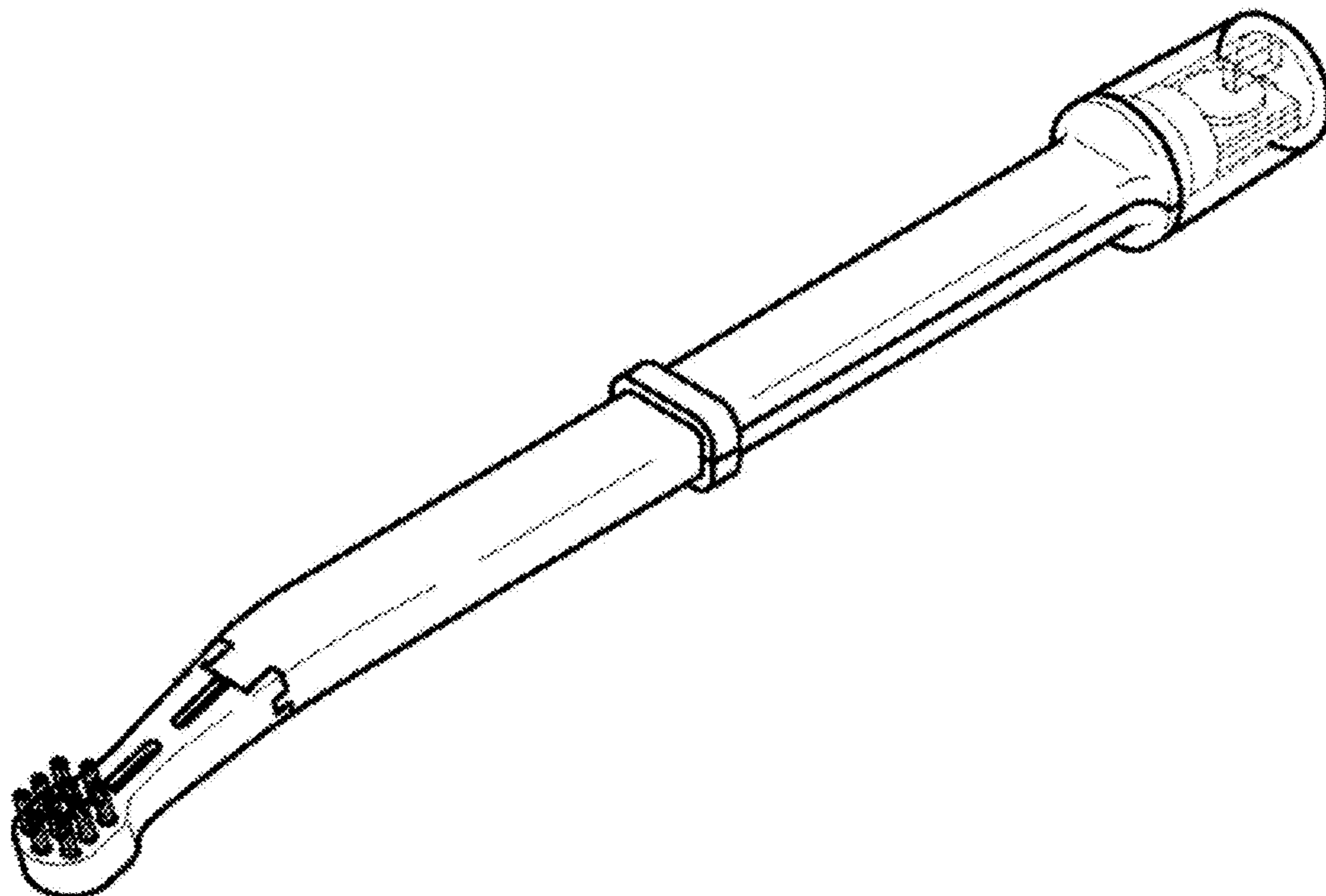
(57) **CLAIM**

The ornamental design for a toothbrush, as shown and described.

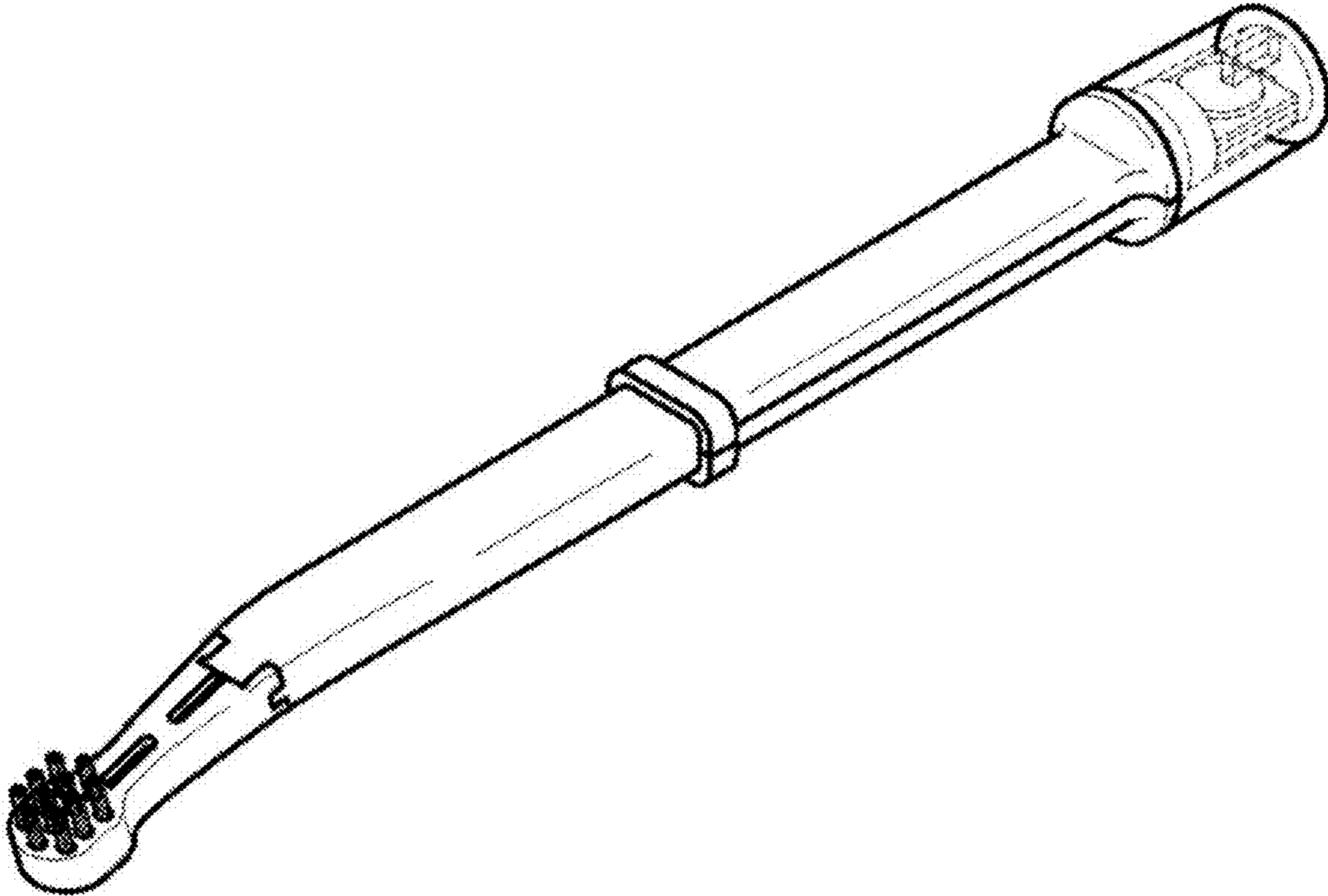
DESCRIPTION

1. Toothbrush
1.1 is a top perspective view;
1.2 is a bottom perspective view;
1.3 is a front view, the back view being a mirror image;
1.4 is a left view;
1.5 is a right view;
1.6 is a top view; and
1.7 is a bottom view.
In the reproductions, the broken lines are for the purpose of illustrating portions of the toothbrush which form no part of the claimed design. The thin lines in the views are for clarifying the shape of the three-dimensional surface.

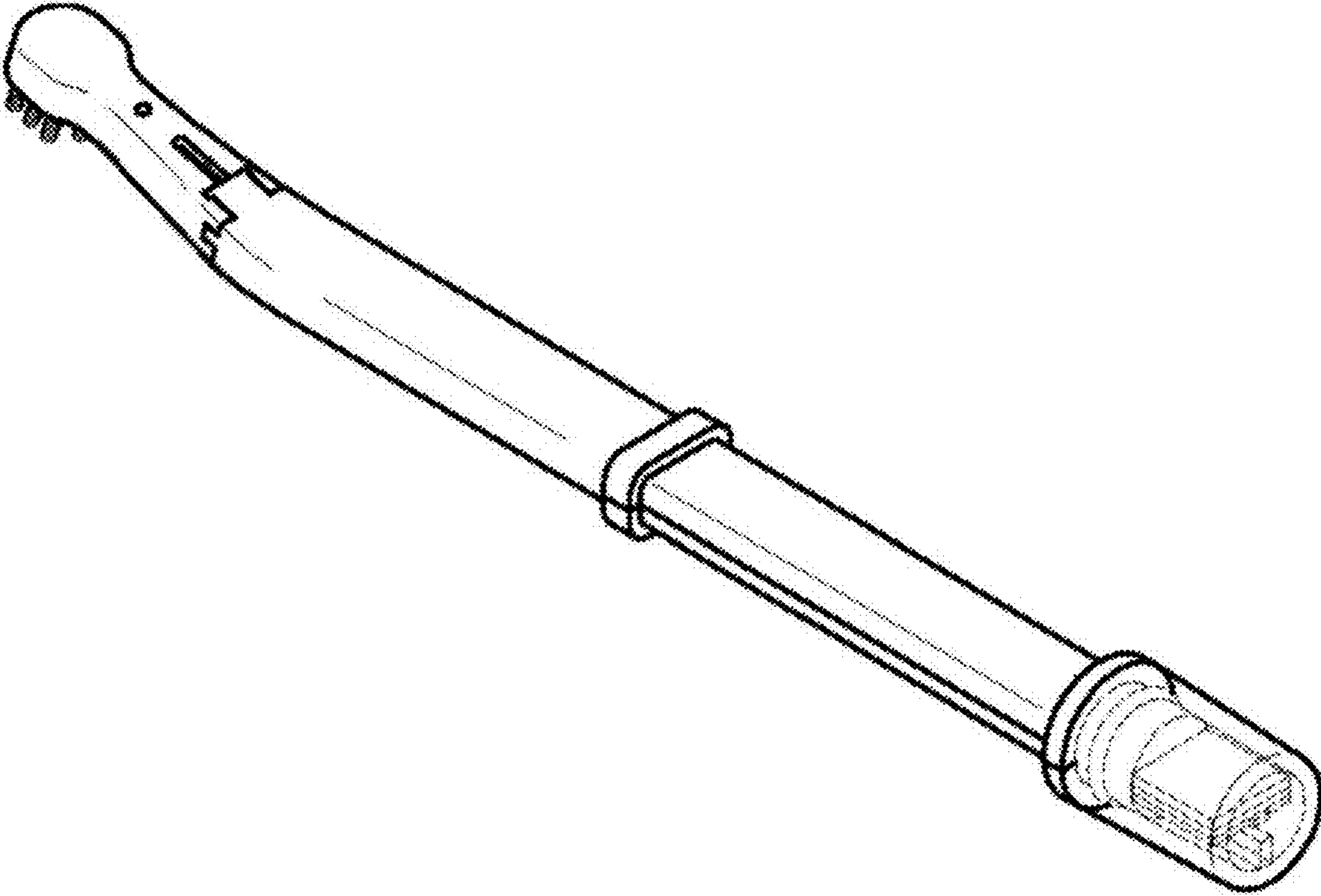
1 Claim, 7 Drawing Sheets



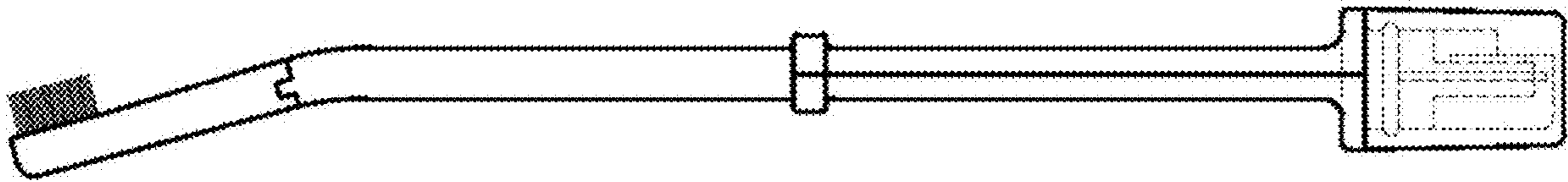
1.1



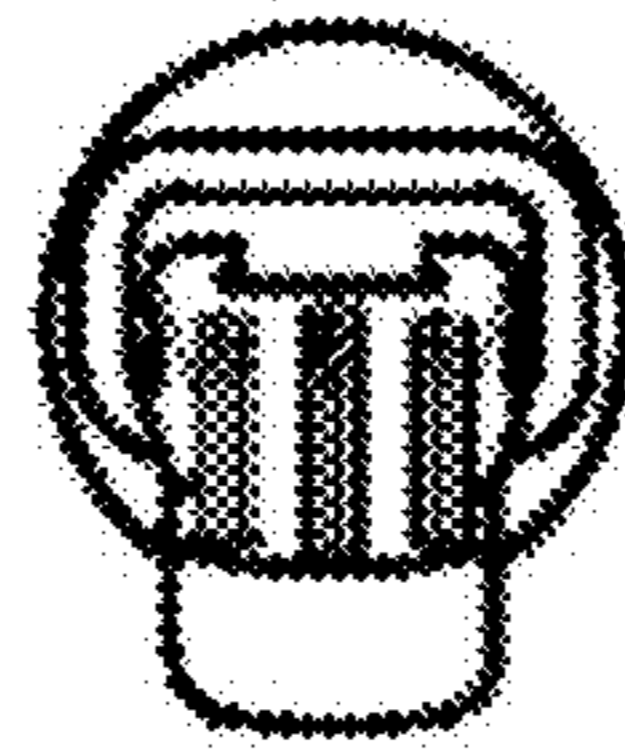
1.2



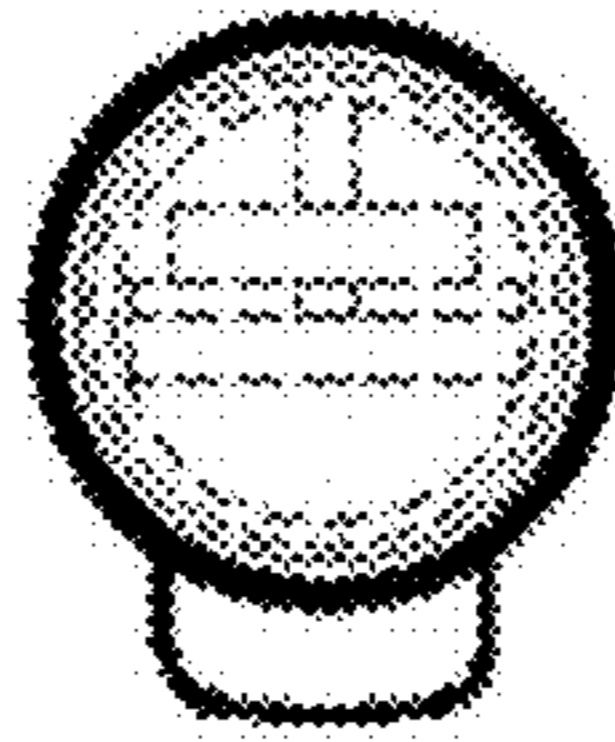
1.3



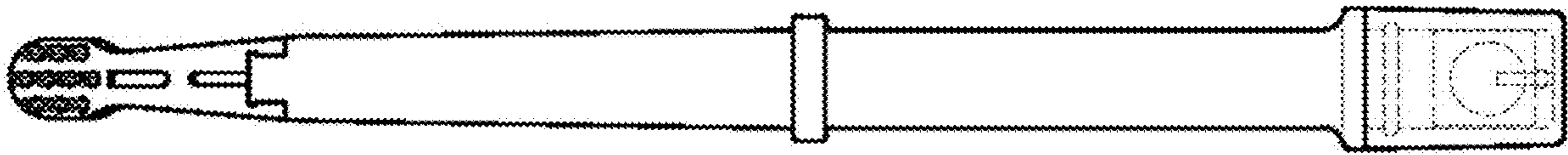
1.4



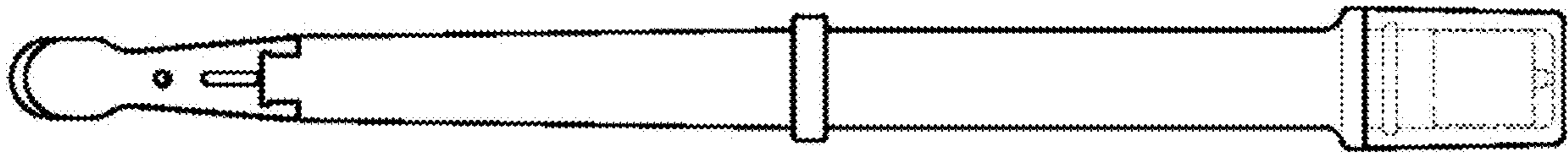
1.5



1.6



1.7



UNITED STATES PATENT AND TRADEMARK OFFICE
CERTIFICATE OF CORRECTION

PATENT NO. : D895,978 S
APPLICATION NO. : 35/506472
DATED : September 15, 2020
INVENTOR(S) : Satoshi Yamamura

Page 1 of 1

It is certified that error appears in the above-identified patent and that said Letters Patent is hereby corrected as shown below:

On the Title Page

Item (73) Assignee, correct the incorrect assignee address by deleting “MIND UP CORP., Yamanaski (JP)” and insert --MIND UP CORP., Yamanashi (JP)--.

Signed and Sealed this
Twenty-fourth Day of May, 2022
Katherine Kelly Vidal

Katherine Kelly Vidal
Director of the United States Patent and Trademark Office

UNITED STATES PATENT AND TRADEMARK OFFICE
CERTIFICATE OF CORRECTION

PATENT NO. : D895,978 S
APPLICATION NO. : 35/506472
DATED : September 15, 2020
INVENTOR(S) : Satoshi Yamamura

Page 1 of 1

It is certified that error appears in the above-identified patent and that said Letters Patent is hereby corrected as shown below:

On the Title Page

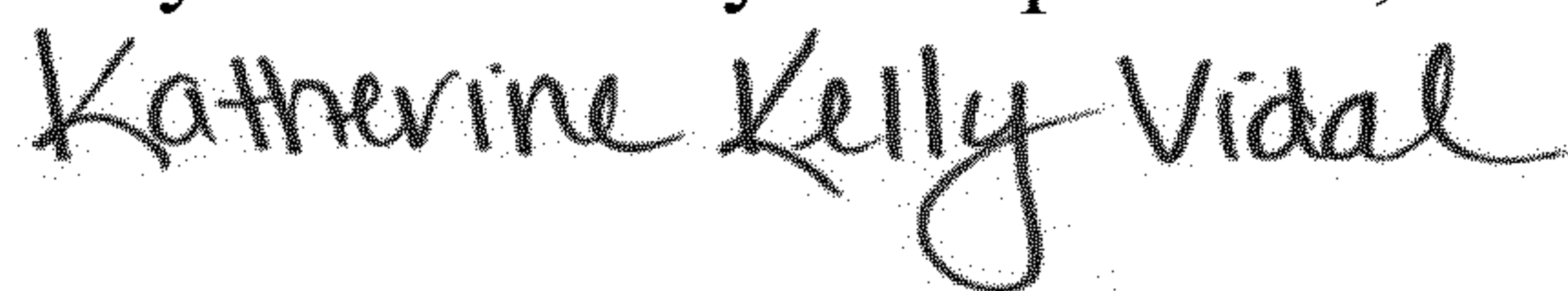
Add:

--(30) Foreign Application Priority Data

March 28, 2018 (JP).....2018-006635

March 28, 2018 (JP).....2018-006636--

Signed and Sealed this
Twenty-seventh Day of September, 2022



Katherine Kelly Vidal
Director of the United States Patent and Trademark Office