



US00D895976S

(12) **United States Design Patent** (10) **Patent No.:** **US D895,976 S**
Li (45) **Date of Patent:** **** Sep. 15, 2020**

(54) **TOOTHBRUSH HEAD**
(71) Applicant: **XiuFeng Li**, Shenzhen (CN)
(72) Inventor: **XiuFeng Li**, Shenzhen (CN)
(**) Term: **15 Years**
(21) Appl. No.: **29/733,700**
(22) Filed: **May 6, 2020**
(30) **Foreign Application Priority Data**
Apr. 22, 2020 (CN) 2020 3 0167753
(51) **LOC (12) Cl.** **04-02**
(52) **U.S. Cl.**
USPC **D4/104**
(58) **Field of Classification Search**
USPC D4/100, 101, 104, 110, 111, 130, 138;
D24/107, 133, 152; 15/167.1, 167.3, 171
CPC A46B 2200/10; A46B 2200/108; A46B
2200/1026; A46B 2200/1046; A46B
2200/1066; A46B 2200/1073; A46B
2200/1086; A46B 5/0004; A46B 5/0029;
A46B 5/0095; A46B 9/04; A61C 17/16;
A61C 17/22; A61C 17/34; A61C 17/222;
A61C 17/225; A61C 15/00; A61C
15/047; A61C 15/048
See application file for complete search history.

(56) **References Cited**
U.S. PATENT DOCUMENTS
D361,209 S * 8/1995 Curtis D4/104
5,799,355 A * 9/1998 Burch A46B 15/0002
15/167.1
D611,712 S * 3/2010 Stoerckel D4/104
D669,687 S * 10/2012 Heil D4/101
D676,660 S * 2/2013 Crossman D4/101

D688,045 S * 8/2013 Key D4/101
D700,436 S 3/2014 Fritsch et al.
D715,057 S * 10/2014 Adriaenssen D4/101
D759,380 S * 6/2016 Watkins D4/101
9,724,180 B1 * 8/2017 Liu A61C 17/222
D799,218 S * 10/2017 Okai D4/104
D799,835 S * 10/2017 Okai D4/101
D831,358 S 10/2018 Altmann et al.
D853,732 S * 7/2019 Wainless D4/104
D855,997 S * 8/2019 Hielscher D4/104
D863,771 S 10/2019 Zavalloni
10,631,964 B2 * 4/2020 Bloch A46B 5/0095
D887,145 S * 6/2020 Hu D4/101
D887,148 S * 6/2020 Okai D4/104
2017/0105824 A1 * 4/2017 Dengler A46B 3/04
2018/0064239 A1 * 3/2018 Xi A46B 15/0081

* cited by examiner

Primary Examiner — Wan Laymon
Assistant Examiner — Clint A Samuel

(57) **CLAIM**

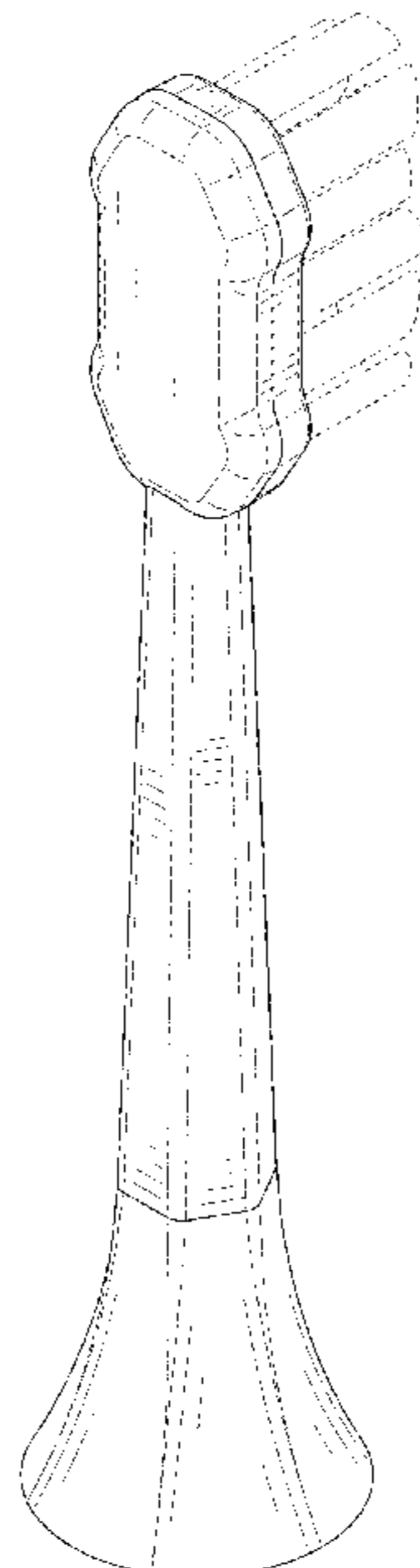
The ornamental design for a toothbrush head, as shown and described.

DESCRIPTION

FIG. 1 is a first perspective view of a toothbrush head showing my new design;
FIG. 2 is a second perspective view thereof;
FIG. 3 is a front view thereof;
FIG. 4 is a back view thereof;
FIG. 5 is a left side view thereof;
FIG. 6 is a right side view thereof;
FIG. 7 is a top view thereof; and,
FIG. 8 is a bottom view thereof.

The broken lines shown in the drawings depict portions of the toothbrush head in which the design is embodied that form no part of the claimed design.

1 Claim, 8 Drawing Sheets



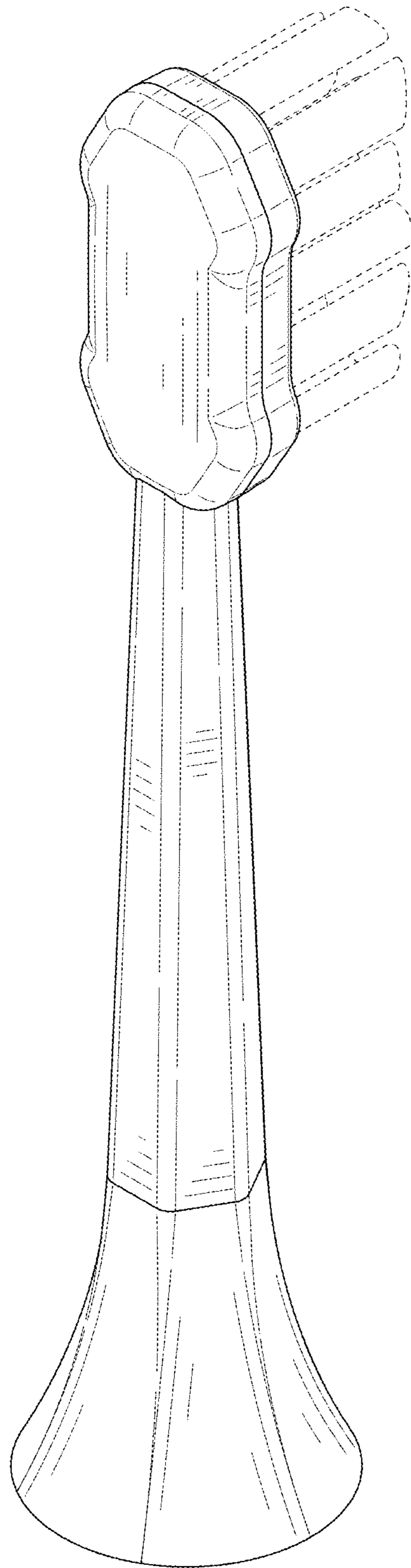


FIG. 1

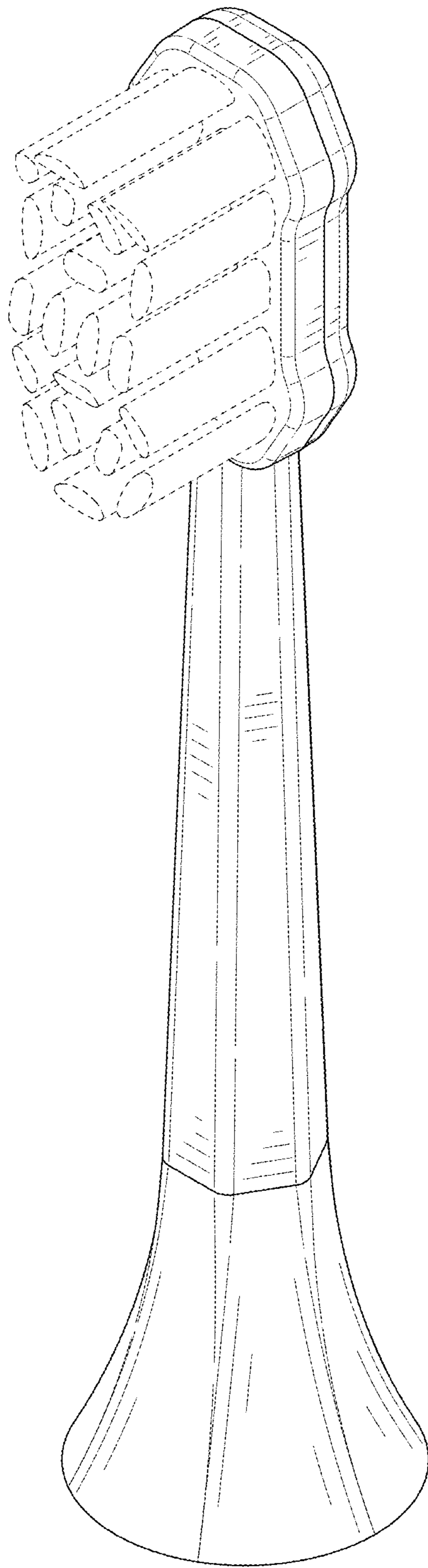


FIG. 2

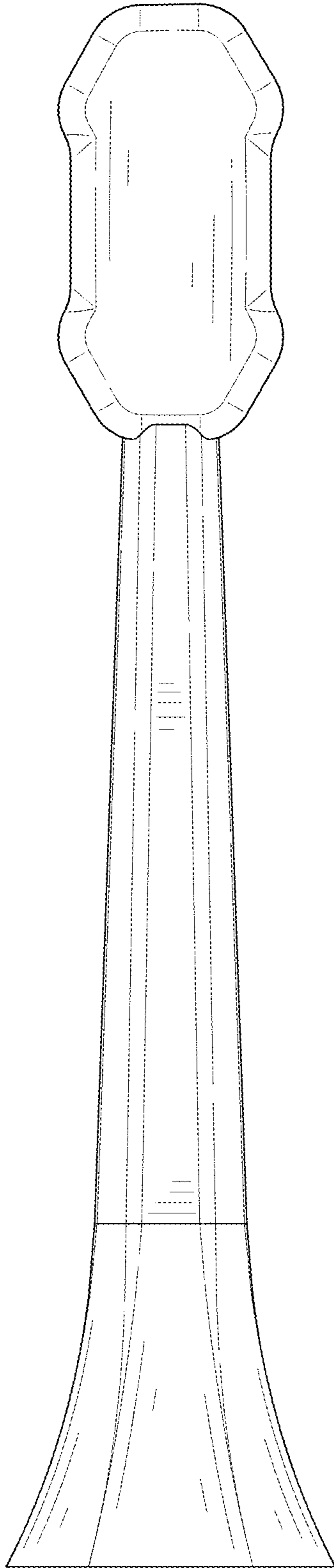


FIG. 3

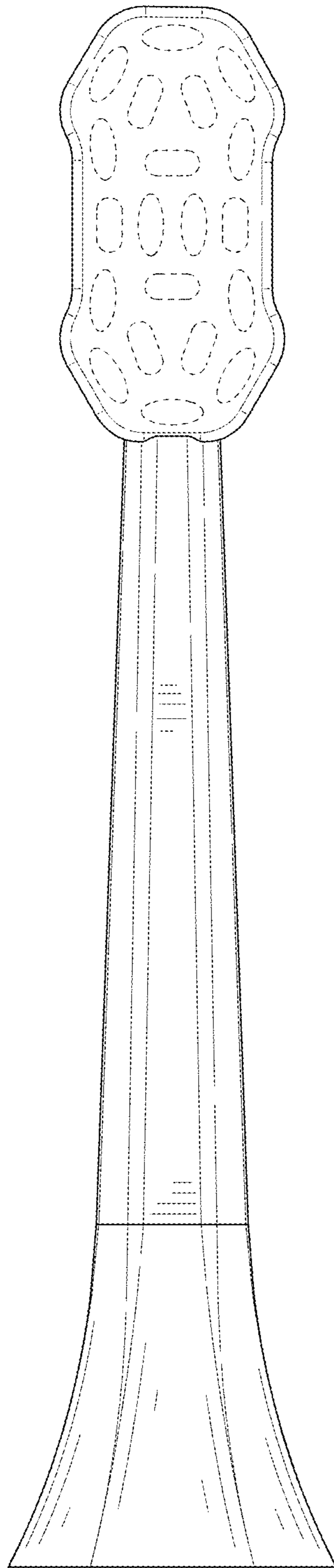


FIG. 4

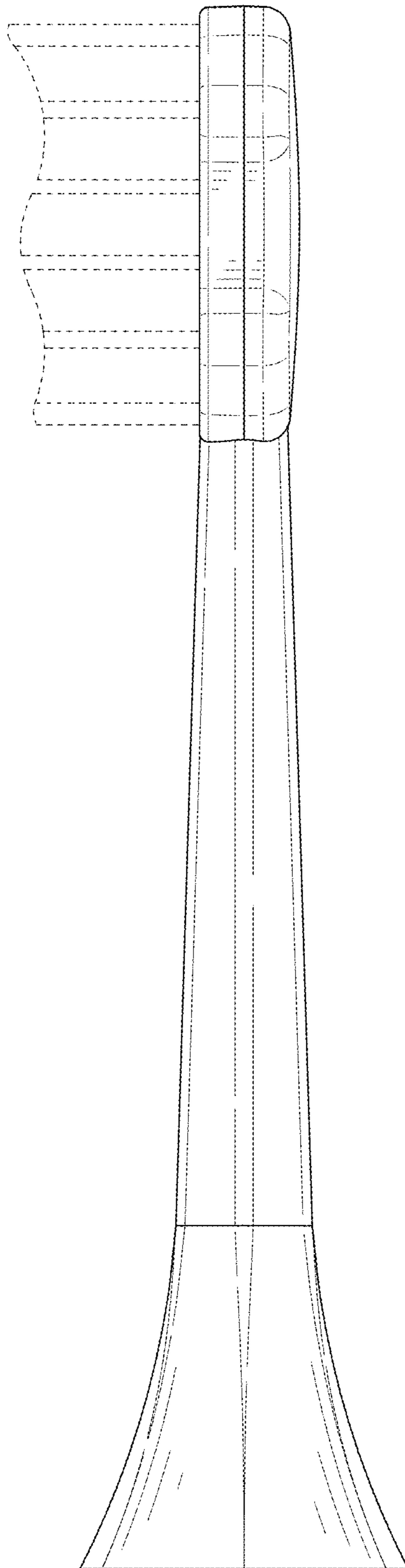


FIG. 5

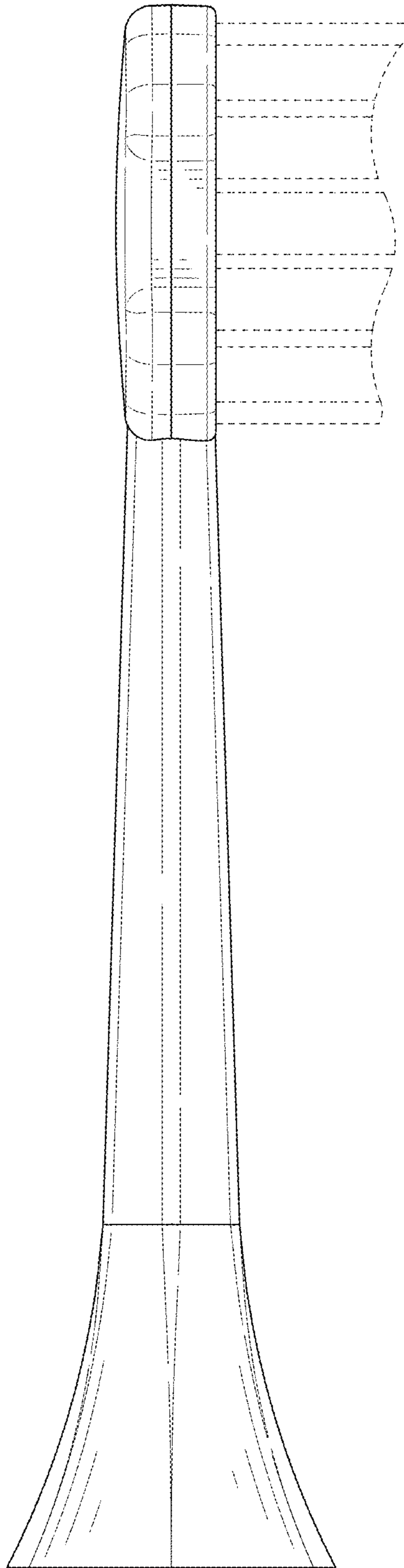


FIG. 6

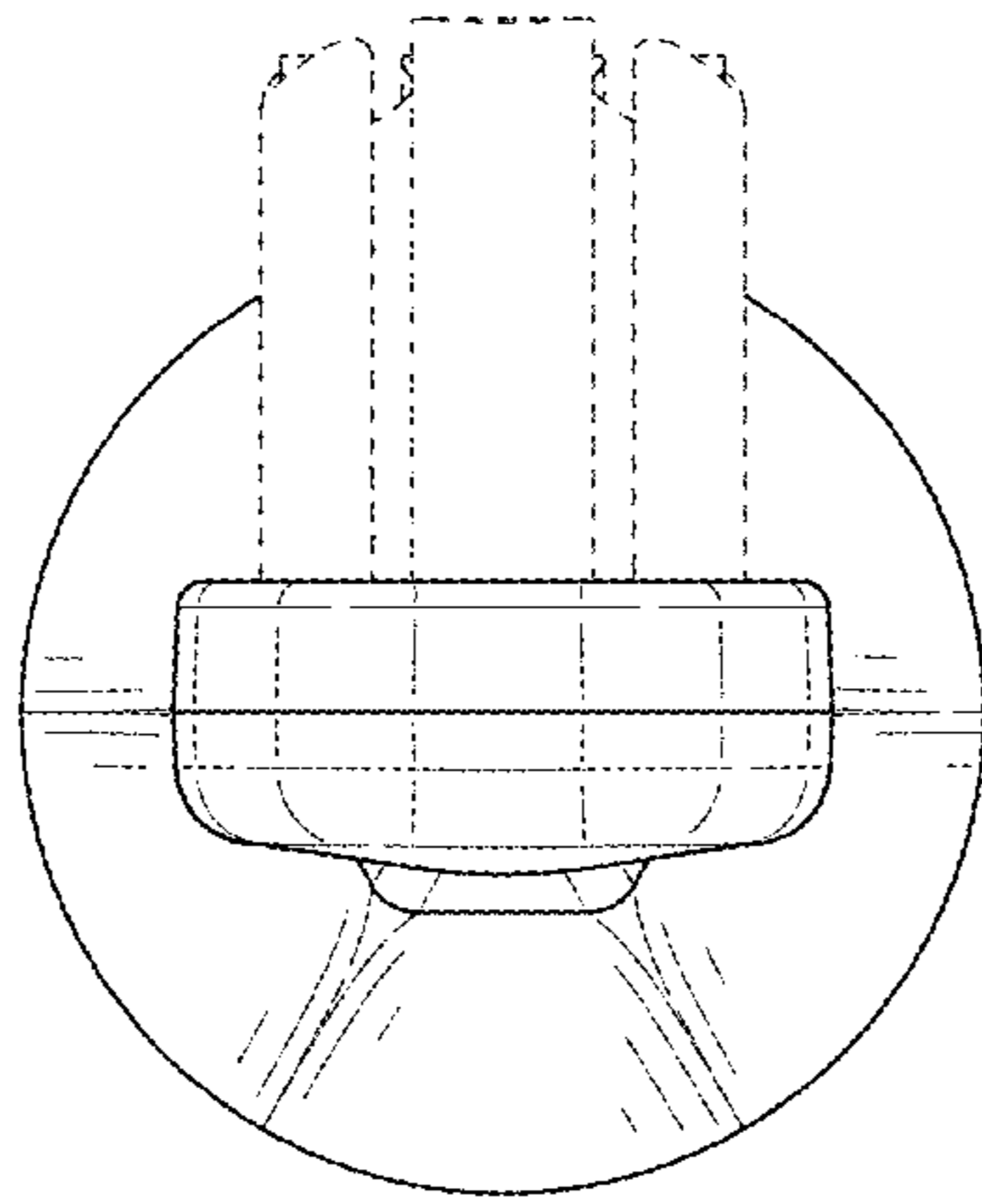


FIG. 7

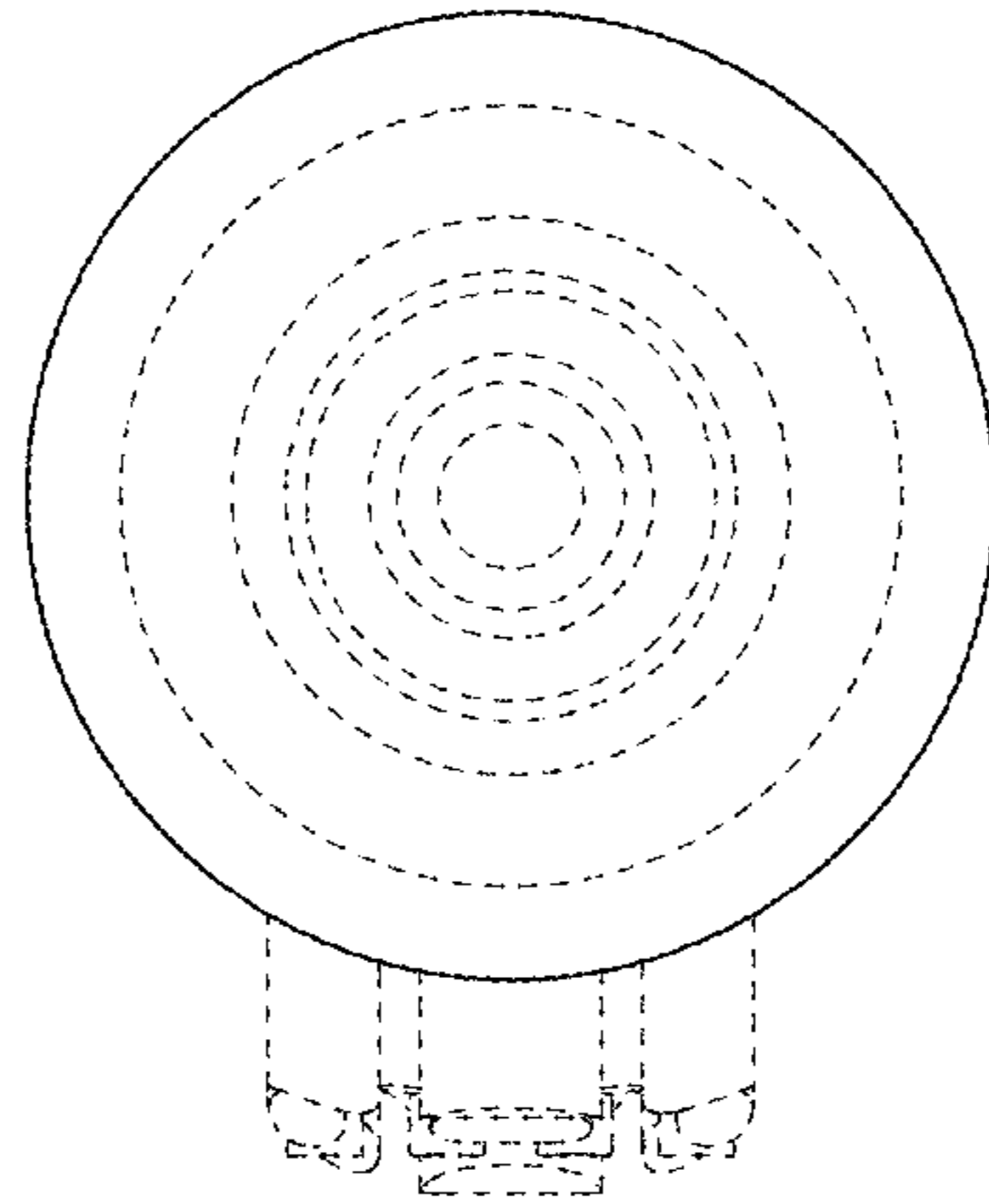


FIG. 8