



US00D895975S

(12) **United States Design Patent**
Jimenez

(10) **Patent No.:** **US D895,975 S**

(45) **Date of Patent:** **** Sep. 15, 2020**

- (54) **TOOTHBRUSH**
- (71) Applicant: **Colgate-Palmolive Company**, New York, NY (US)
- (72) Inventor: **Eduardo Jimenez**, Manalapan, NJ (US)
- (73) Assignee: **Colgate-Palmolive Company**, New York, NY (US)
- (**) Term: **15 Years**
- (21) Appl. No.: **29/696,458**
- (22) Filed: **Jun. 27, 2019**

5,683,421 A	11/1997	Guarani, Jr. et al.
D404,921 S	2/1999	Smith
D566,400 S	4/2008	Phillips
D619,370 S	7/2010	Tegeder et al.
D646,792 S	10/2011	Pope
D688,046 S	8/2013	Aslett et al.
D745,283 S	12/2015	Phillips et al.
D778,616 S	2/2017	Tegeder et al.
D799,836 S	10/2017	Bauernfeind et al.
9,826,822 B2	11/2017	Geiberger et al.
D828,037 S *	9/2018	Jimenez D4/110
D850,797 S *	6/2019	Jimenez D4/107
D856,684 S *	8/2019	Jimenez D4/138

(Continued)

Related U.S. Application Data

- (62) Division of application No. 29/657,728, filed on Jul. 25, 2017, now Pat. No. Des. 856,684, which is a division of application No. 29/606,133, filed on Jun. 1, 2017, now Pat. No. Des. 828,037.

(51) **LOC (12) Cl.** **04-02**

(52) **U.S. Cl.**
USPC **D4/104; D4/134**

(58) **Field of Classification Search**
USPC D4/100, 101, 102, 103, 104, 105, 106, D4/107, 108, 109, 110, 111, 112, 113, D4/114, 115, 116, 117, 118, 119, 120, D4/121, 122, 123, 134, 135, 126, 127, D4/128, 129, 130, 131, 132, 133, 136, D4/137, 138, 199; D24/194, 195
CPC A46B 9/02; A46B 9/04; A46B 15/0081; A46B 2200/1066; A46B 2200/1073; A46B 5/02; A46B 9/026

See application file for complete search history.

(56) **References Cited**

U.S. PATENT DOCUMENTS

D274,018 S	5/1984	Usui
5,138,737 A	8/1992	Thomas

FOREIGN PATENT DOCUMENTS

JP	D1246249	8/2005
WO	D089878-002	6/2016

OTHER PUBLICATIONS

Baby Banana Teething Toothbrush for Infants, <http://www.babybananabrush.com/product-category/brushes-and-teethers/>, downloaded from the internet prior to the date of this application, 2 pages.

Primary Examiner — Karen E Eldridge Powers

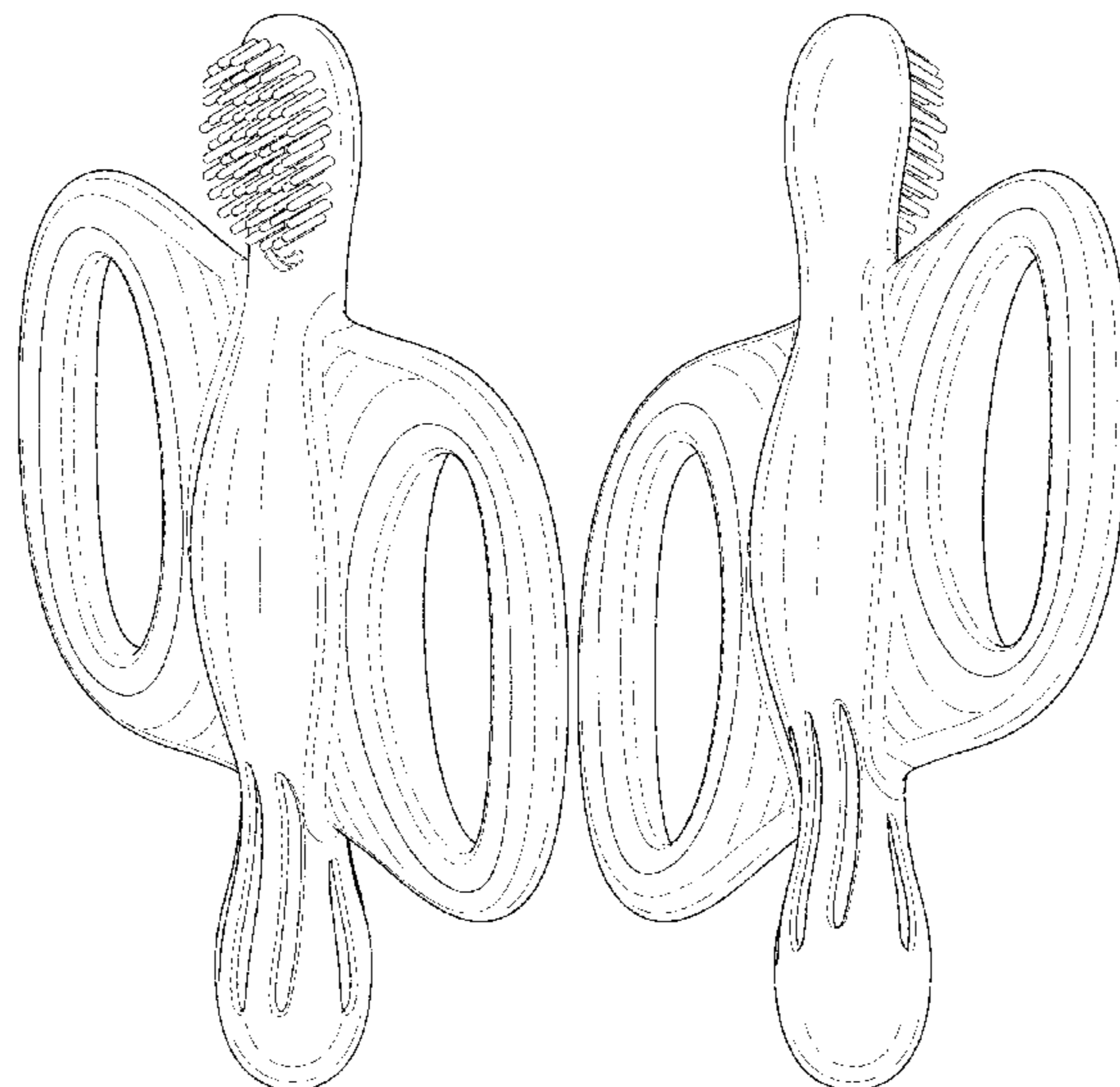
(57) **CLAIM**

The ornamental design for an toothbrush, as shown and described.

DESCRIPTION

FIG. 1 is a front right perspective view of an toothbrush according to the new design;
FIG. 2 is a rear left perspective view thereof;
FIG. 3 is a front view thereof;
FIG. 4 is a rear view thereof;
FIG. 5 is a right side view thereof;
FIG. 6 is a left side view thereof;
FIG. 7 is a top view thereof; and,
FIG. 8 is a bottom view thereof.

1 Claim, 6 Drawing Sheets



(56)

References Cited

U.S. PATENT DOCUMENTS

D865,368	S	*	11/2019	Jimenez	D4/107
D871,772	S	*	1/2020	Jimenez	D4/107
D876,099	S	*	2/2020	Murillo	D4/107
D876,839	S	*	3/2020	Murillo	D4/107
2010/0319149	A1		12/2010	Phillips		

* cited by examiner

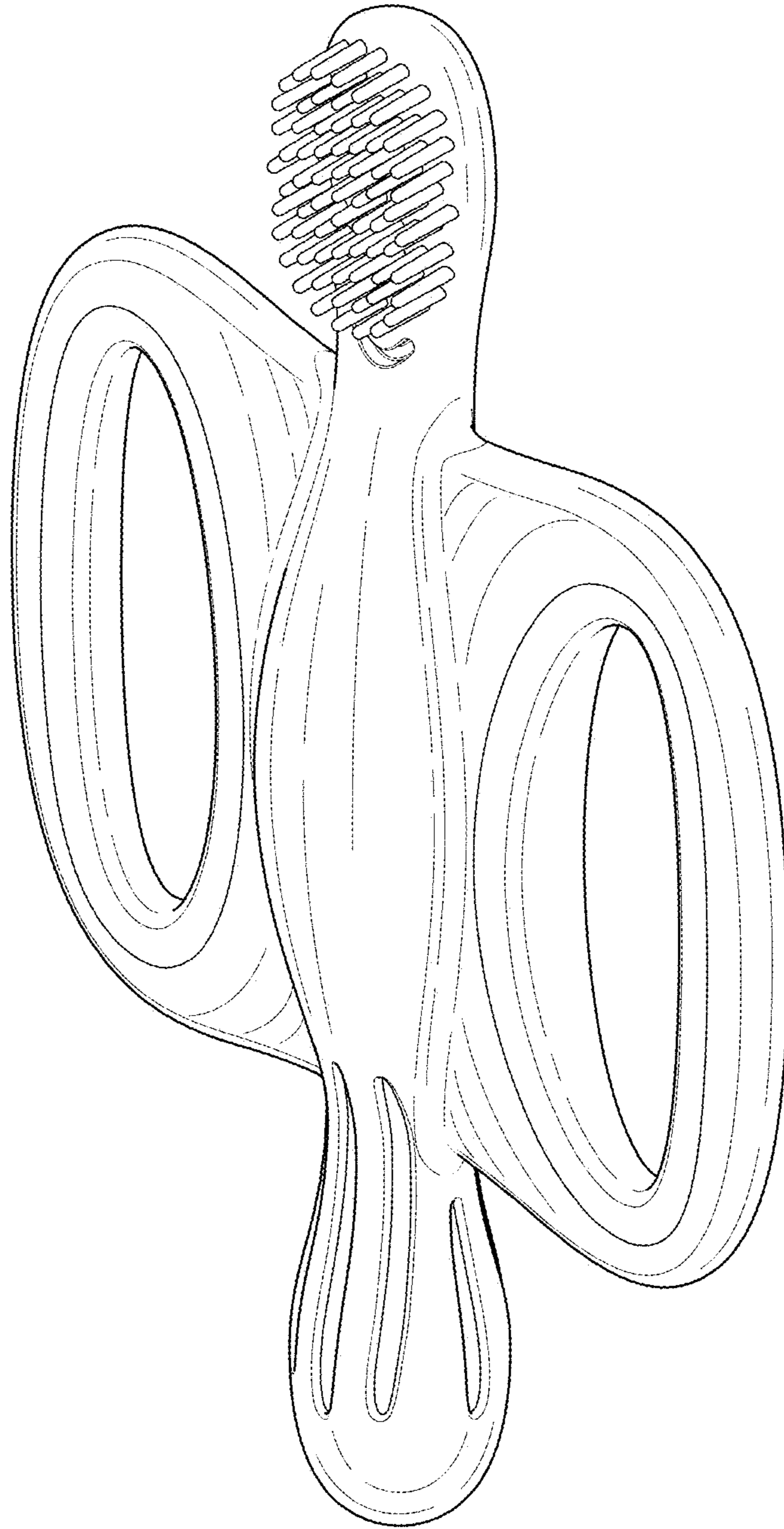


FIG. 1

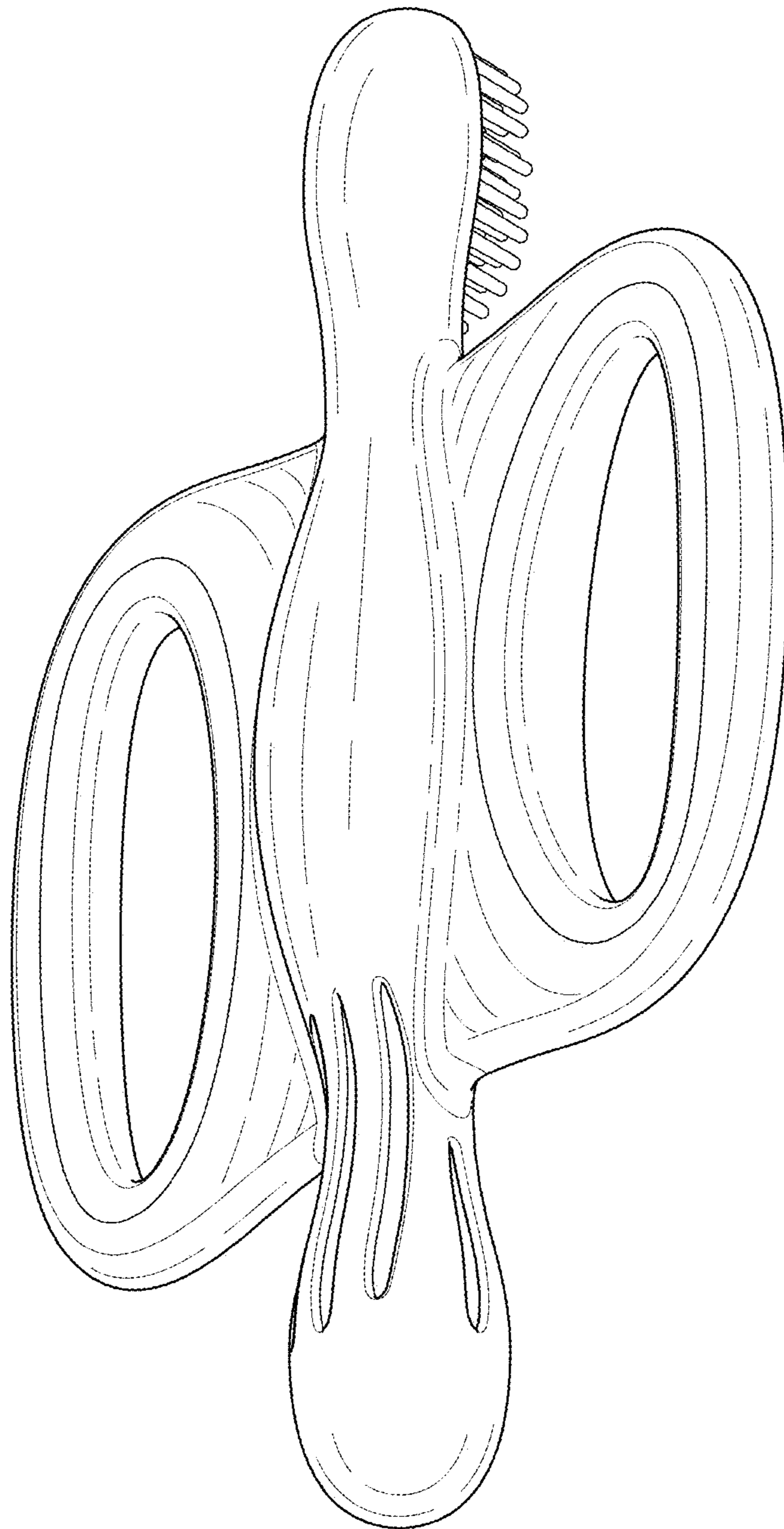


FIG. 2

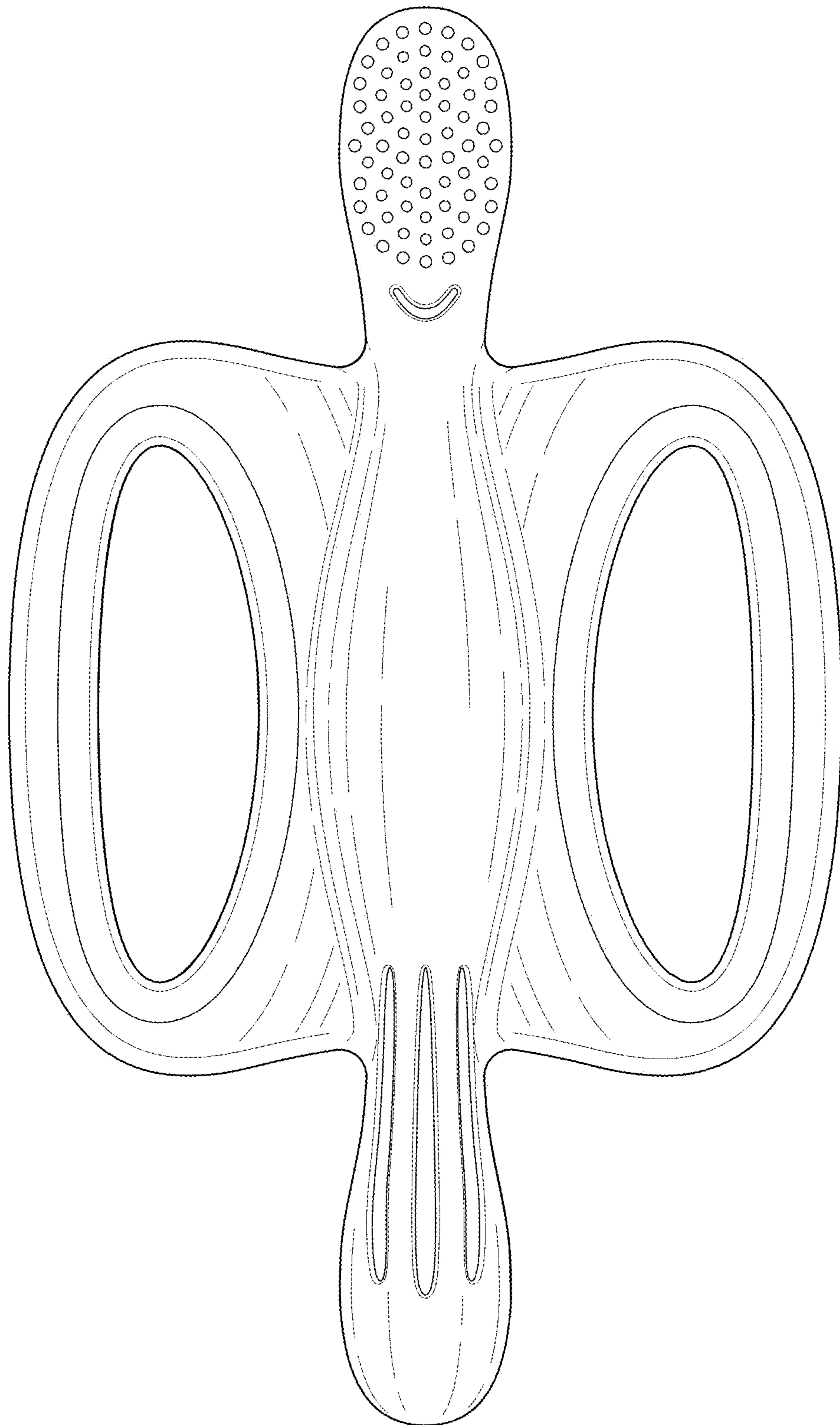


FIG. 3

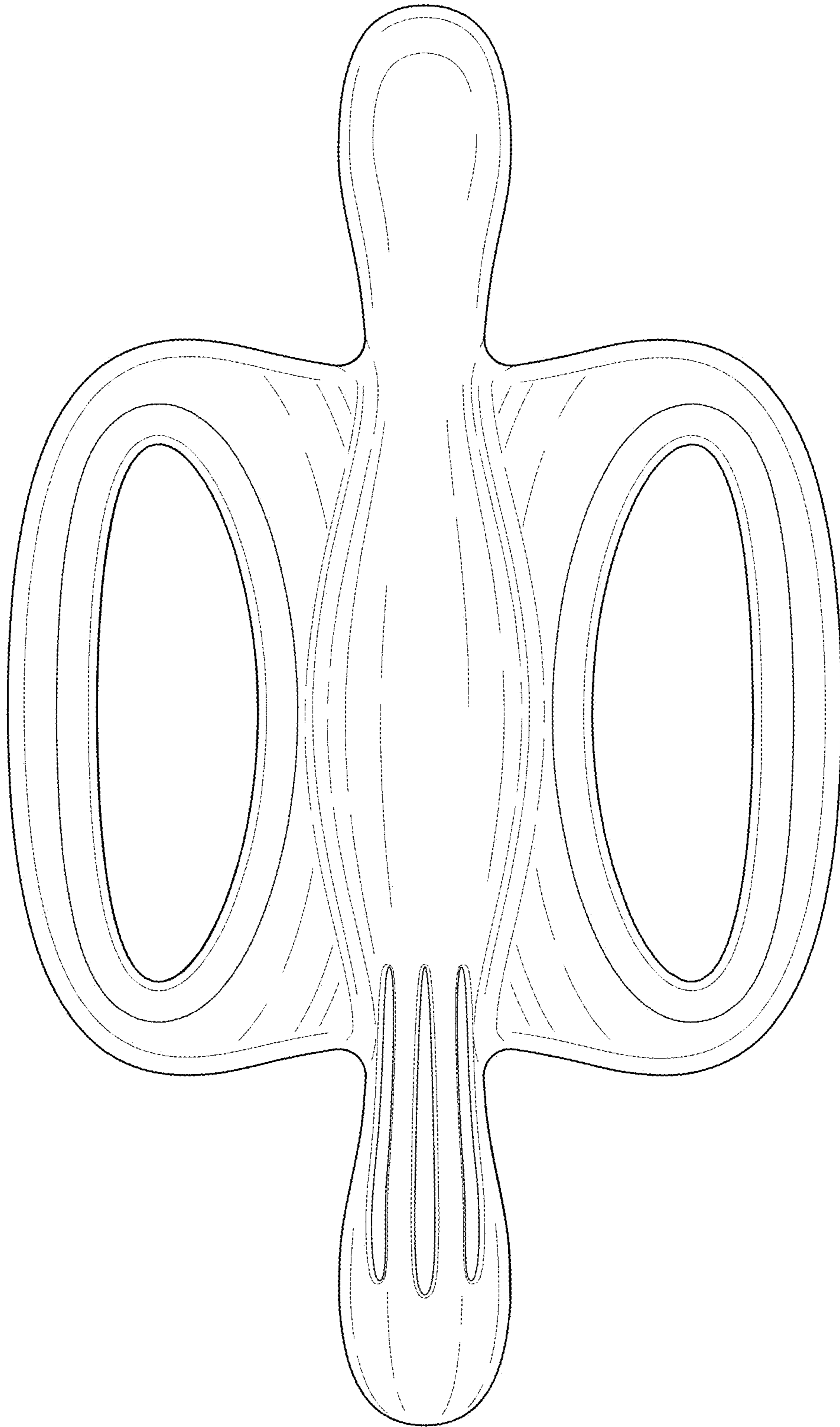


FIG. 4

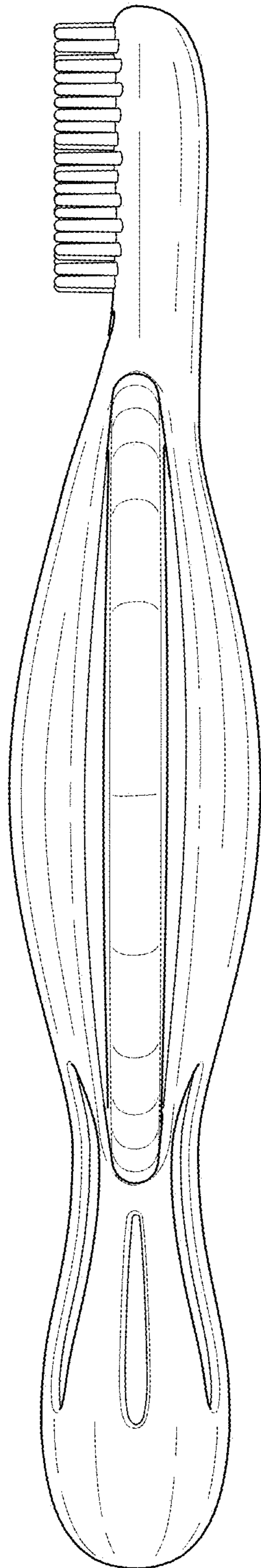


FIG. 5

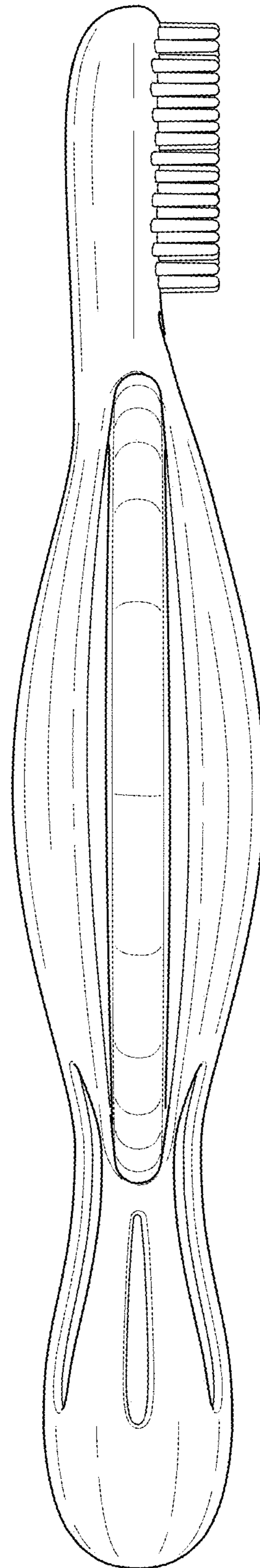


FIG. 6

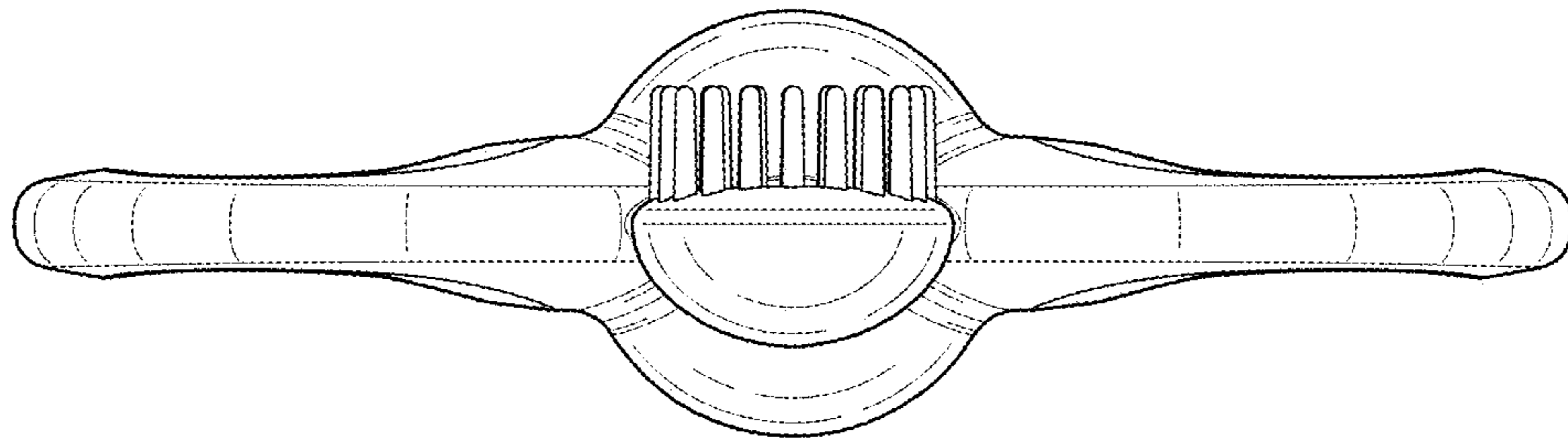


FIG. 7

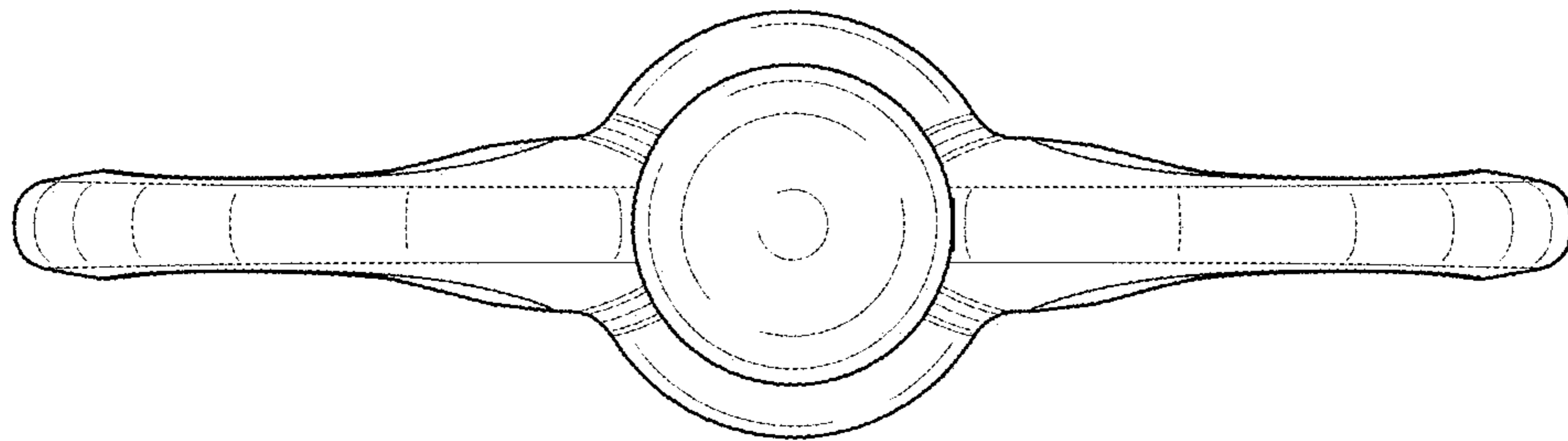


FIG. 8