



US00D895974S

(12) **United States Design Patent**
Xiong et al.

(10) **Patent No.:** **US D895,974 S**

(45) **Date of Patent:** **** Sep. 15, 2020**

(54) **ELECTRIC TOOTHBRUSH**

(71) Applicant: **Shenzhen Hongwang Nicemay Electric Co., Ltd, Shenzhen (CN)**

(72) Inventors: **Shasha Xiong, Shenzhen (CN); Kaiqiang Qiu, Shenzhen (CN)**

(73) Assignee: **SHENZHEN HONGWANG NICEMAY ELECTRIC CO., LTD, Shenzhen (CN)**

(**) Term: **15 Years**

(21) Appl. No.: **29/687,304**

(22) Filed: **Apr. 12, 2019**

(30) **Foreign Application Priority Data**

Jan. 4, 2019 (CN) 2019 3 0004099

(51) **LOC (12) Cl.** **28-03**

(52) **U.S. Cl.**
USPC **D4/101**

(58) **Field of Classification Search**
USPC D4/100, 101, 102, 104, 105, 106, 107, D4/108, 109, 110, 111, 112, 113, 114, D4/115, 121, 137, 199; 15/167.1; D24/152, 176; D28/65
CPC A46B 2200/1066
See application file for complete search history.

(56) **References Cited**

U.S. PATENT DOCUMENTS

6,954,961 B2 * 10/2005 Ferber A61C 17/22 15/22.1
8,413,286 B2 * 4/2013 Nanda A46B 15/0002 15/105

9,060,596 B2 * 6/2015 Nanda A46B 15/0002
9,084,473 B2 * 7/2015 Nanda A46B 15/0002
2012/0291212 A1 * 11/2012 Montagnino A61C 17/40 15/167.1
2013/0266361 A1 * 10/2013 Gilbert A46B 11/0041 401/137

* cited by examiner

Primary Examiner — Karen E Eldridge Powers

(57) **CLAIM**

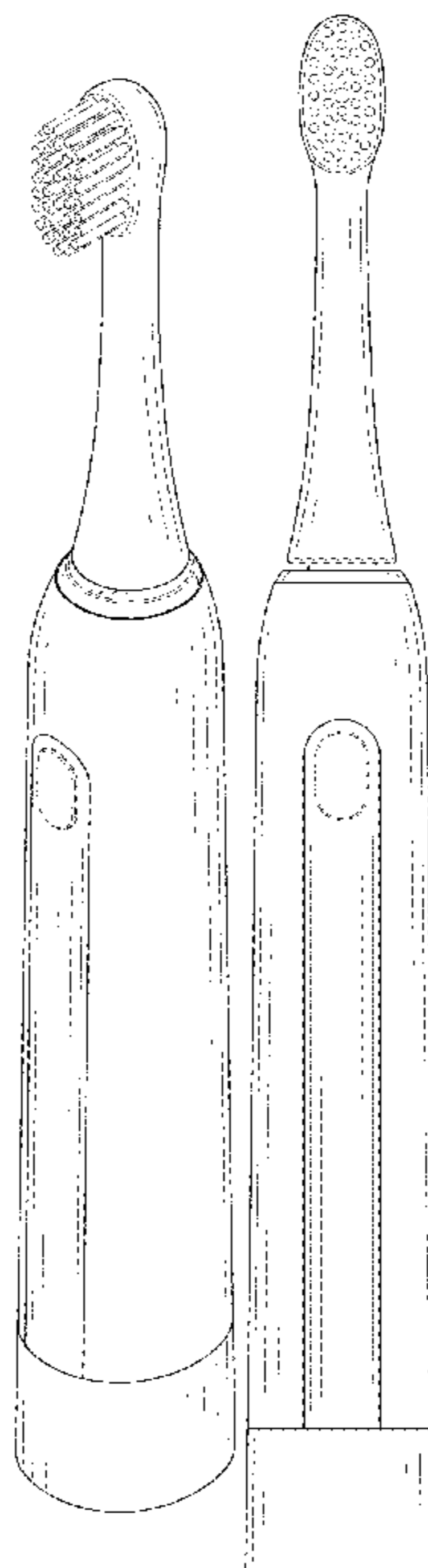
The ornamental design for an electric toothbrush, as shown and described.

DESCRIPTION

FIG. 1 is a perspective view of an electric toothbrush showing my new design;
FIG. 2 is another perspective view thereof;
FIG. 3 is a front elevational view thereof;
FIG. 4 is a rear elevational view thereof;
FIG. 5 is a left side elevational view thereof;
FIG. 6 is a right side elevational view thereof;
FIG. 7 is a top plan view thereof;
FIG. 8 is a bottom plan view thereof;
FIG. 9 is an exploded perspective view thereof; and,
FIG. 10 is a perspective view of the electric toothbrush on a cradle.

The broken lines in the drawings are for the purpose of illustrating portions of the electric toothbrush that form no part of the claimed design.

1 Claim, 10 Drawing Sheets



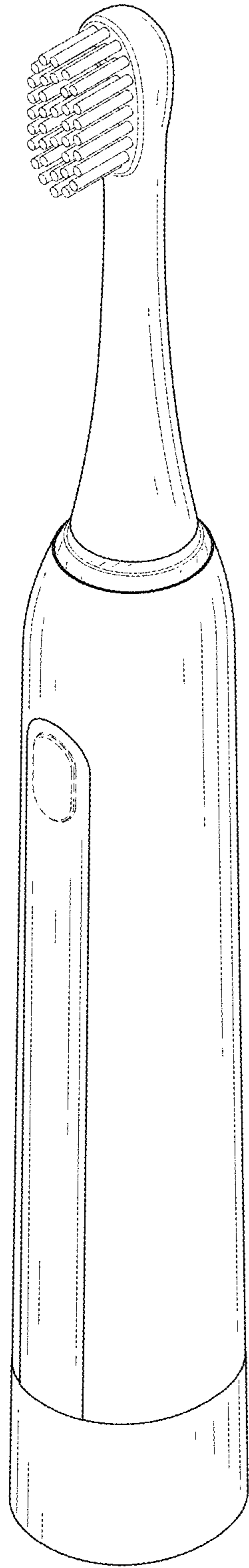


FIG. 1

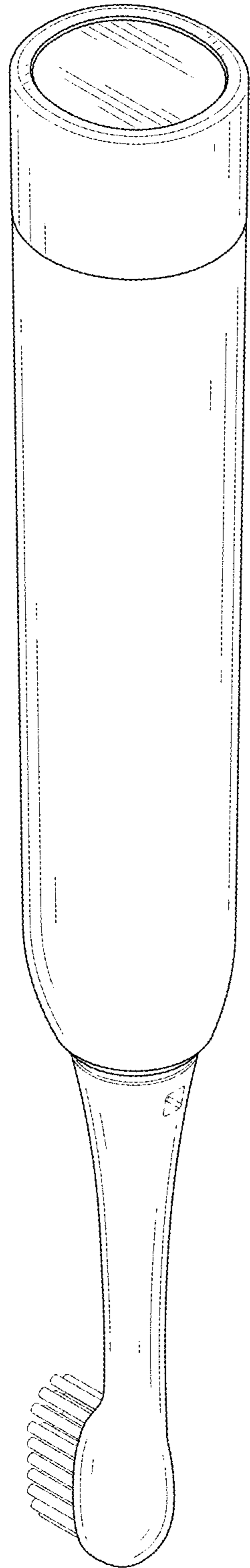


FIG. 2

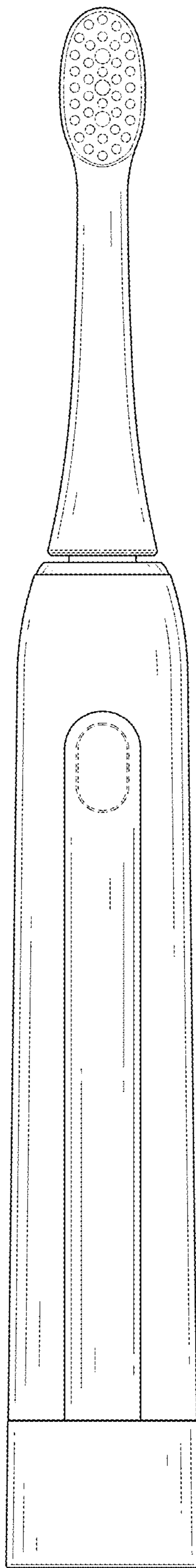


FIG. 3

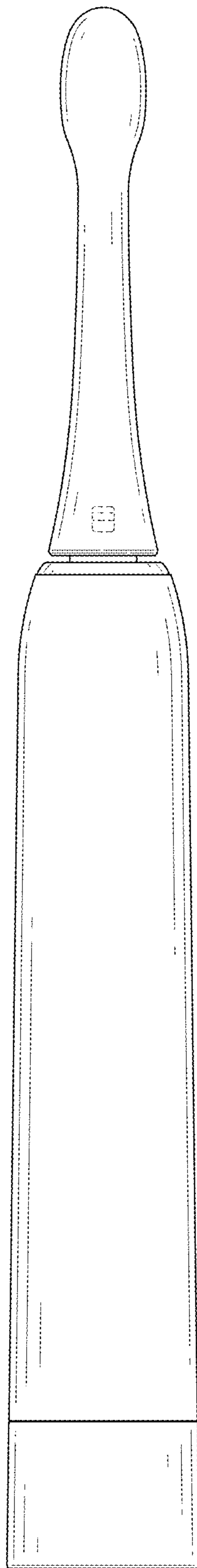


FIG. 4

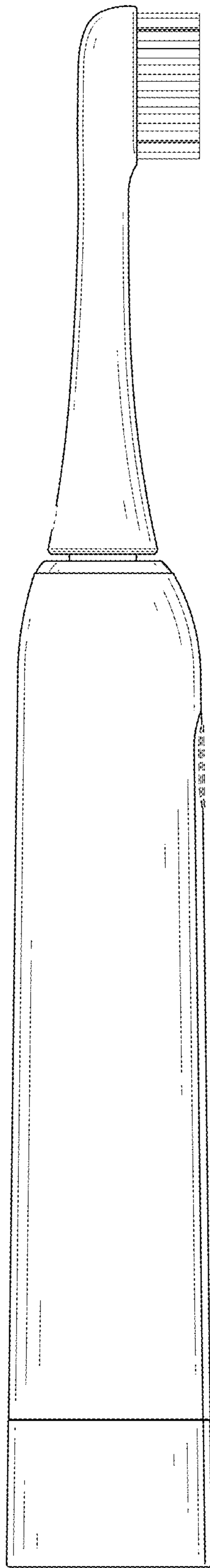


FIG. 5

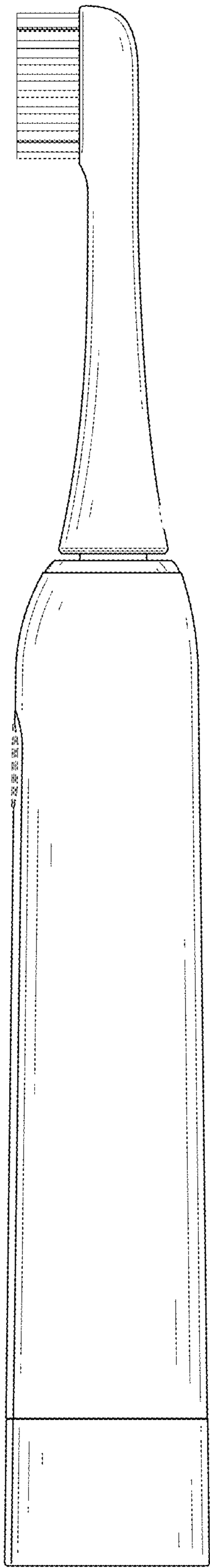


FIG. 6

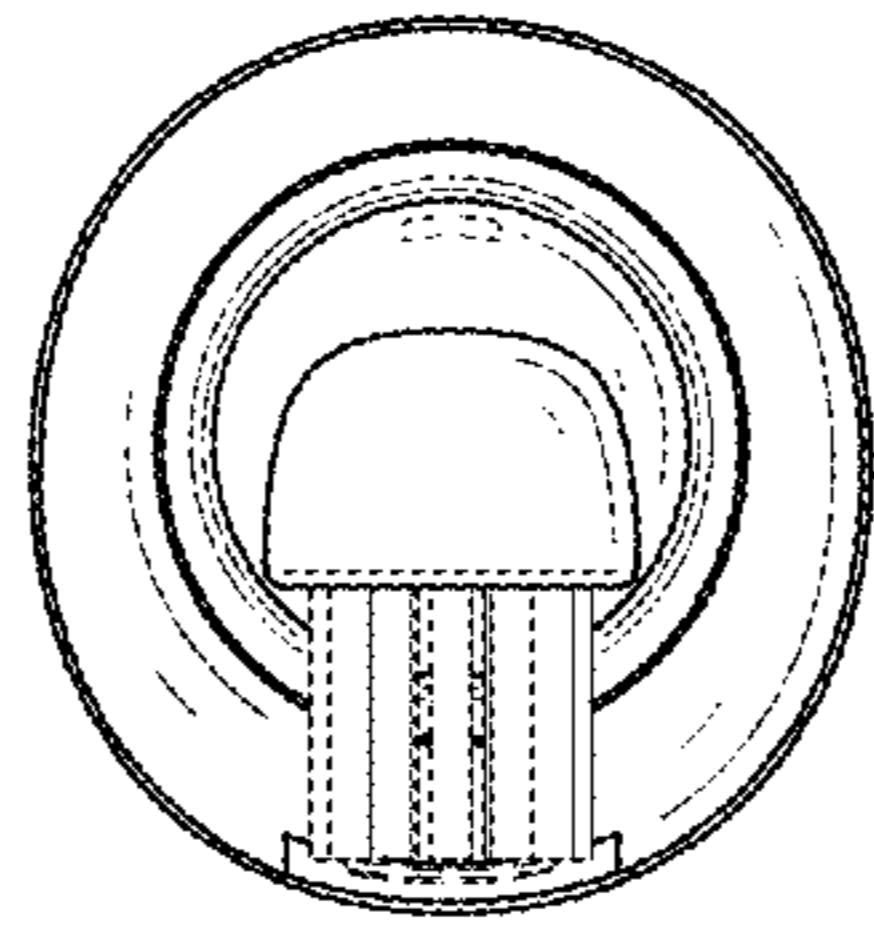


FIG. 7

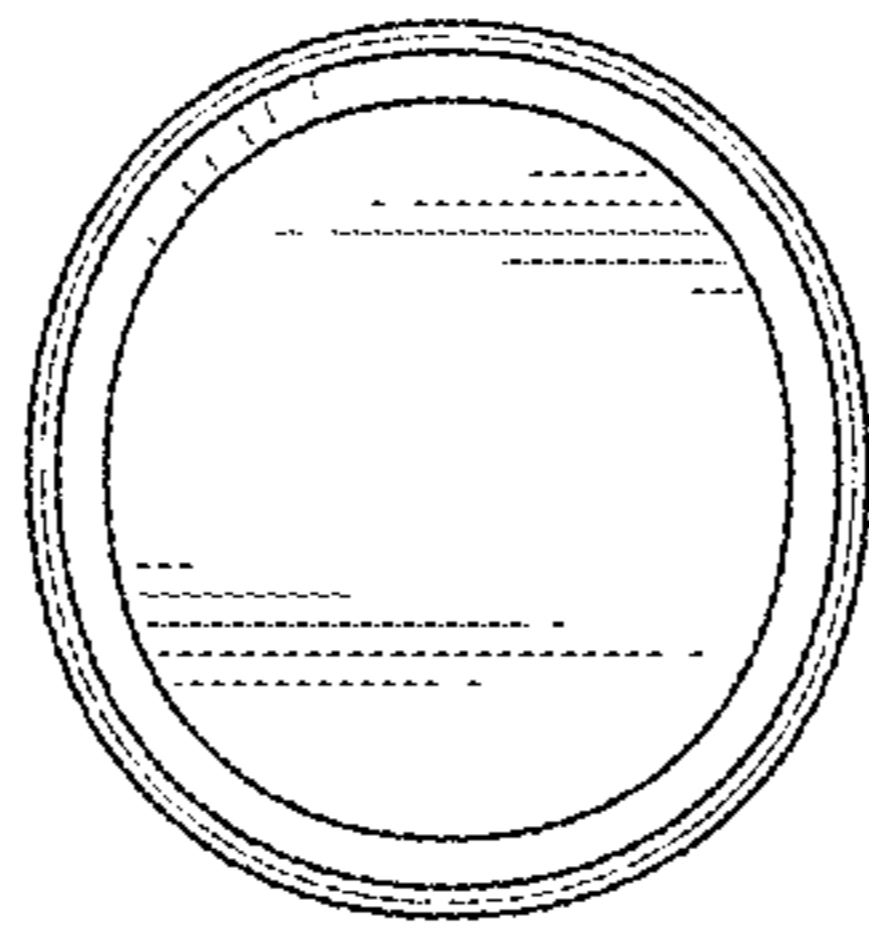


FIG. 8

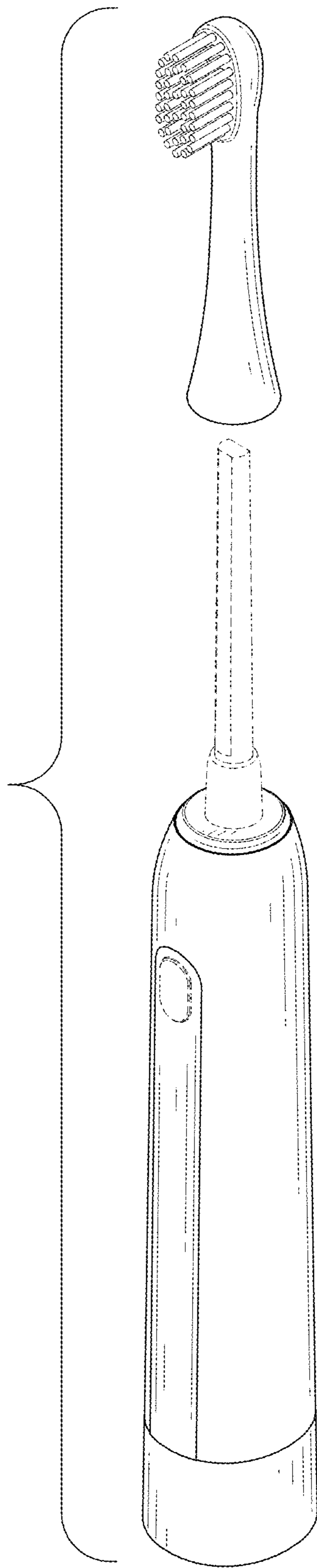


FIG. 9

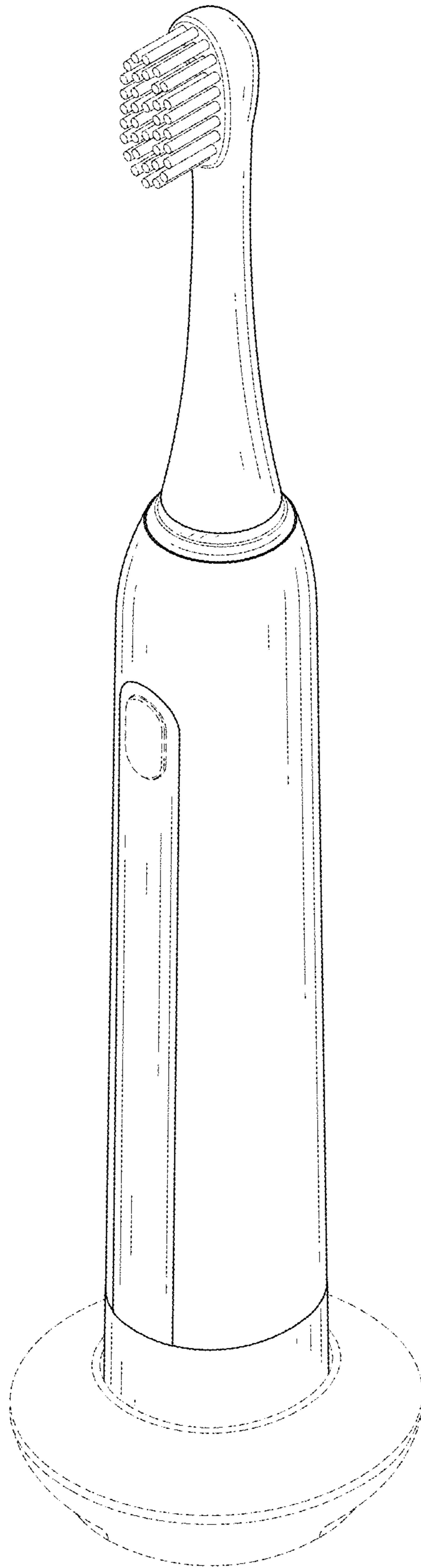


FIG. 10