



US00D895973S

(12) **United States Design Patent** (10) **Patent No.:** **US D895,973 S**
Ji et al. (45) **Date of Patent:** **** Sep. 15, 2020**

(54) **ORAL CARE IMPLEMENT**

10,016,053 B2 7/2018 Hohlbein
10,136,723 B2 11/2018 Moskovich
D851,938 S * 6/2019 Bloch D4/101
(Continued)

(71) Applicant: **Colgate-Palmolive Company**, New York, NY (US)

(72) Inventors: **Yanmei Ji**, YangZhou (CN); **Wen Jin Xi**, Shanghai (CN)

FOREIGN PATENT DOCUMENTS

CN 201831194 U 5/2011
CN 202104467 U 1/2012
(Continued)

(73) Assignee: **Colgate-Palmolive Company**, New York, NY (US)

(**) Term: **15 Years**

Primary Examiner — George A Bugg
Assistant Examiner — Tamara L Hahn

(21) Appl. No.: **29/684,593**

(57) **CLAIM**

The ornamental design for an oral care implement, as shown and described.

(22) Filed: **Mar. 22, 2019**

(51) **LOC (12) Cl.** **28-03**

(52) **U.S. Cl.**
USPC **D4/101**

DESCRIPTION

(58) **Field of Classification Search**
USPC D4/100–113, 116–121, 127, 128, 134,
D4/137, 138, 199; D24/107, 108, 133,
D24/152, 176
CPC A46B 9/00; A46B 9/02; A46B 9/04; A46B
13/023; A46B 15/0002; A46B 15/0071;
A46B 2200/1066; A46B 2200/1073;
A61C 17/221; A61C 17/222
See application file for complete search history.

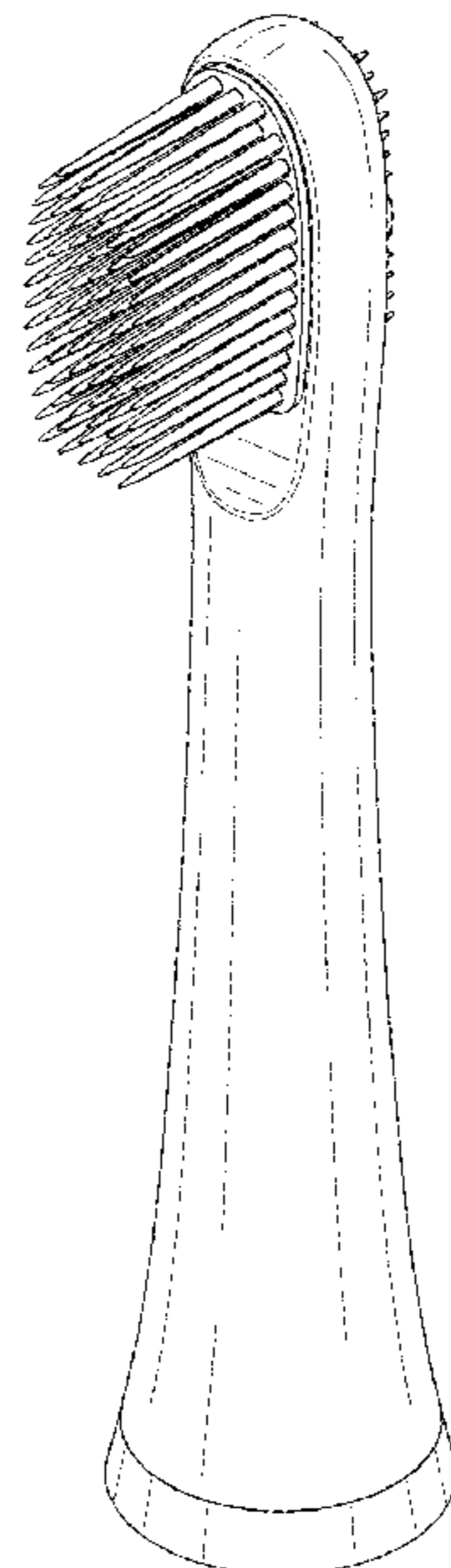
FIG. 1 is a front perspective view of an oral care implement according to a first embodiment of the new design;
FIG. 2 is a rear perspective view thereof;
FIG. 3 is a front view thereof;
FIG. 4 is a rear view thereof;
FIG. 5 is a left side view thereof,
FIG. 6 is a right side view thereof;
FIG. 7 is an enlarged top view thereof;
FIG. 8 is an enlarged bottom view thereof;
FIG. 9 is a front perspective view of an oral care implement according to a second embodiment of the new design;
FIG. 10 is a rear perspective view thereof;
FIG. 11 is a front view thereof;
FIG. 12 is a rear view thereof;
FIG. 13 is a left side view thereof,
FIG. 14 is a right side view thereof;
FIG. 15 is an enlarged top view thereof; and,
FIG. 16 is an enlarged bottom view thereof.
The broken lines in the drawings illustrate portions of the article that form no part of the claimed design.

(56) **References Cited**

U.S. PATENT DOCUMENTS

2,004,633 A 6/1935 Miller
2,224,788 A 12/1940 Jobst
4,382,309 A 5/1983 Collis
4,570,282 A 2/1986 Kaufman
5,065,470 A 11/1991 Diamond
D405,272 S * 2/1999 Khalaj D24/147
7,226,555 B2 6/2007 Weihrauch
D598,198 S * 8/2009 Crossman D4/101
9,210,995 B2 12/2015 Su et al.

1 Claim, 8 Drawing Sheets



(56)

References Cited

U.S. PATENT DOCUMENTS

2010/0257683 A1* 10/2010 Boyd A46B 9/06
15/167.1
2017/0215567 A1 8/2017 Waguespack
2018/0289143 A1 10/2018 Jimenez et al.
2019/0014897 A1 1/2019 Jimenez et al.
2019/0090623 A1* 3/2019 Gorich A46D 3/005
2020/0077781 A1* 3/2020 Wagstaff A46B 15/0081

FOREIGN PATENT DOCUMENTS

CN 103200840 A 7/2013
CN 303781887 8/2016
CN 304627051 5/2018
EP 1299017 4/2003
JP D1610138 7/2018
KR 3007328830000 3/2014
KR 3007329310000 3/2014
KR 3007329350000 3/2014
TW D182856 5/2017
WO 2010/062009 6/2010
WO 2017/076839 5/2017

* cited by examiner

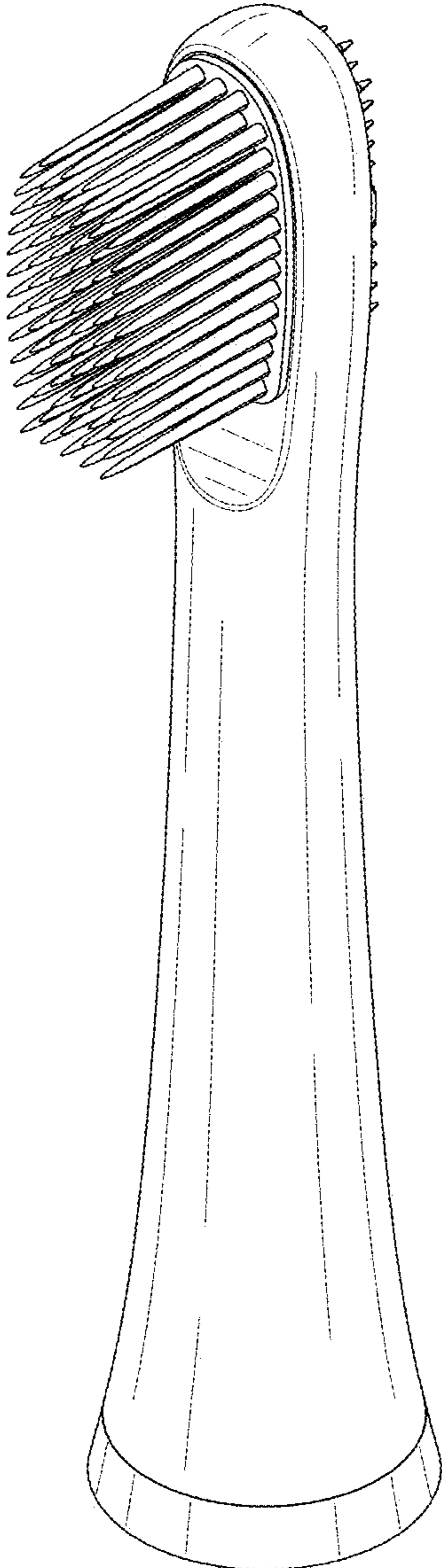


FIG. 1

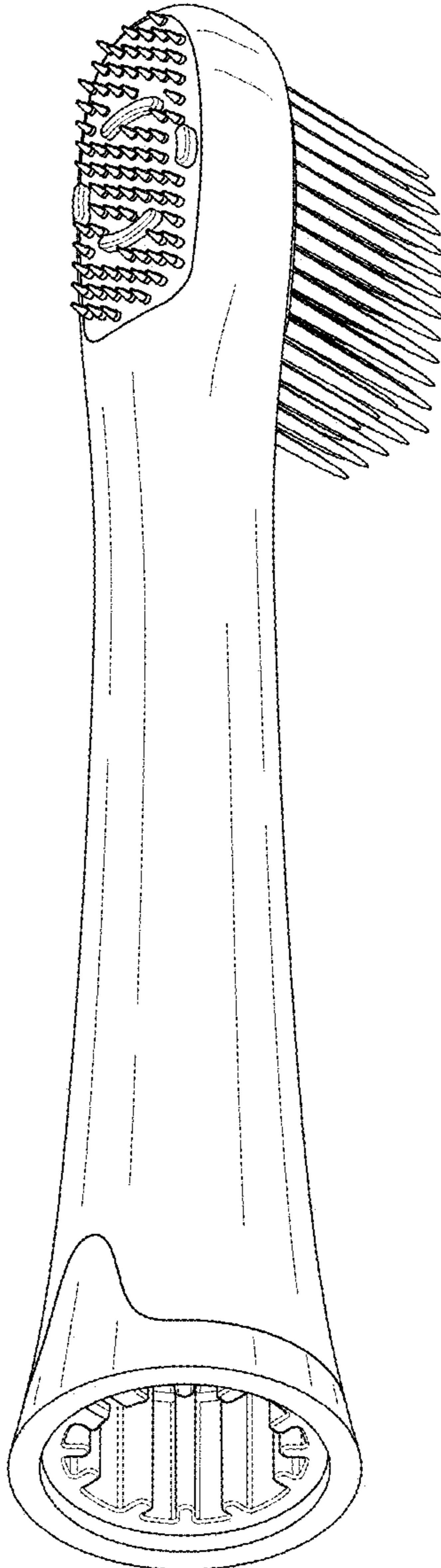


FIG. 2

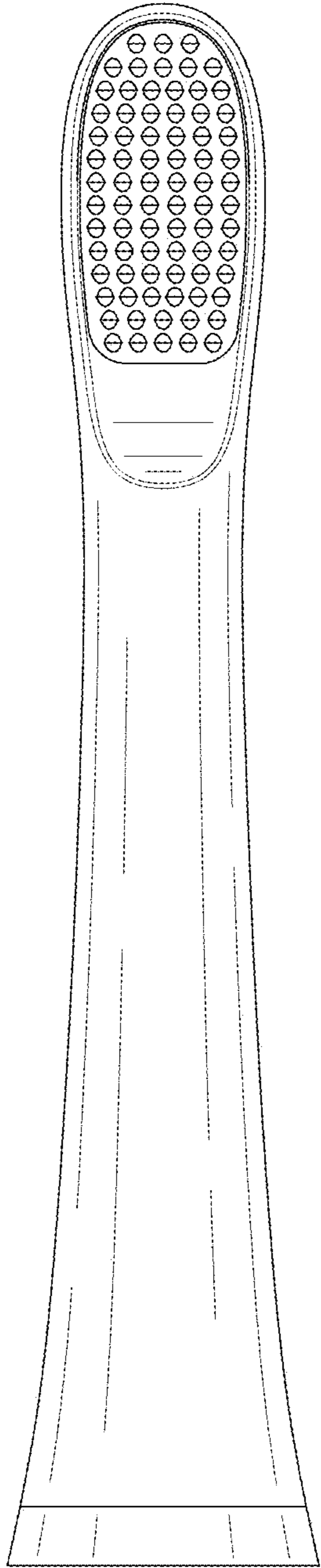


FIG. 3

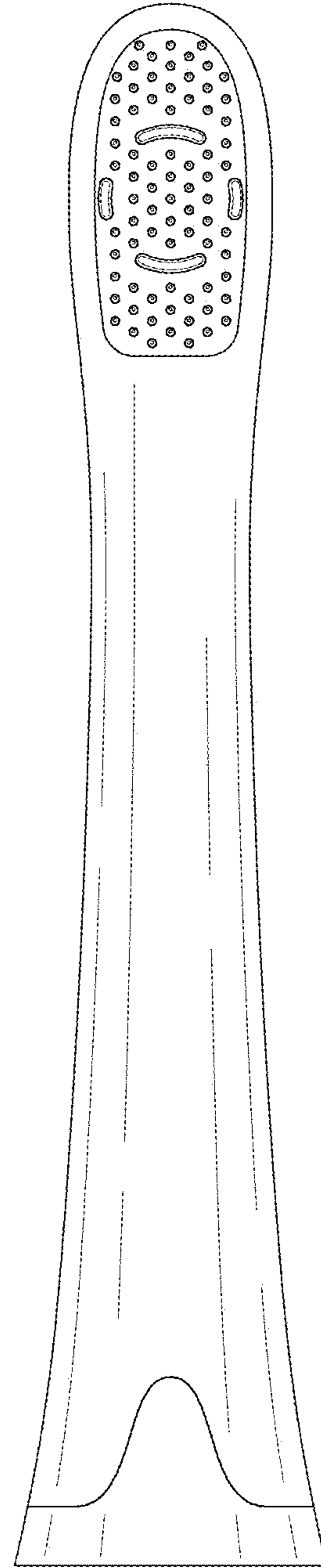


FIG. 4

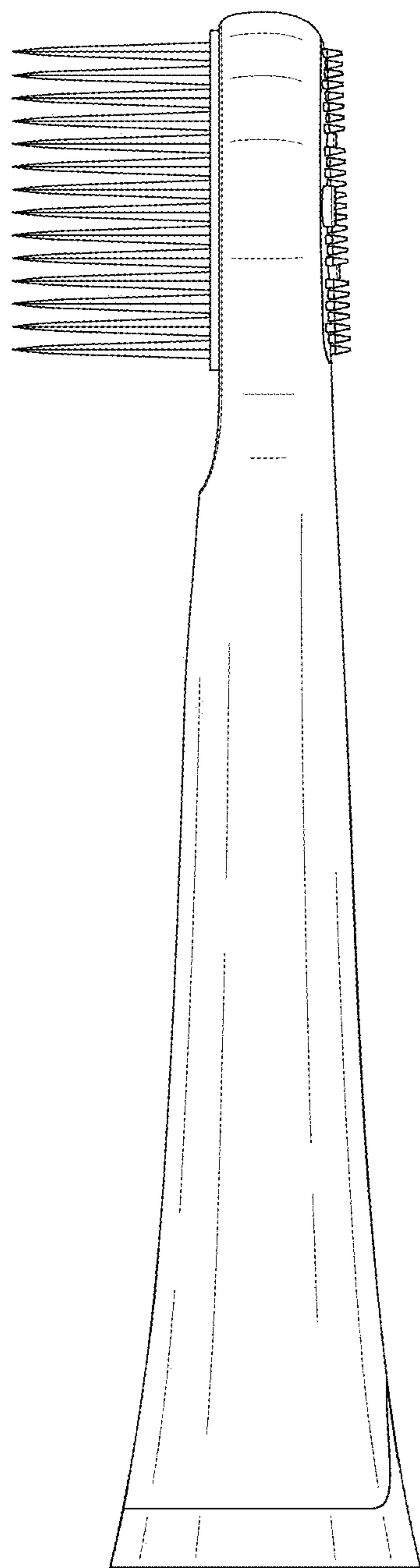


FIG. 5

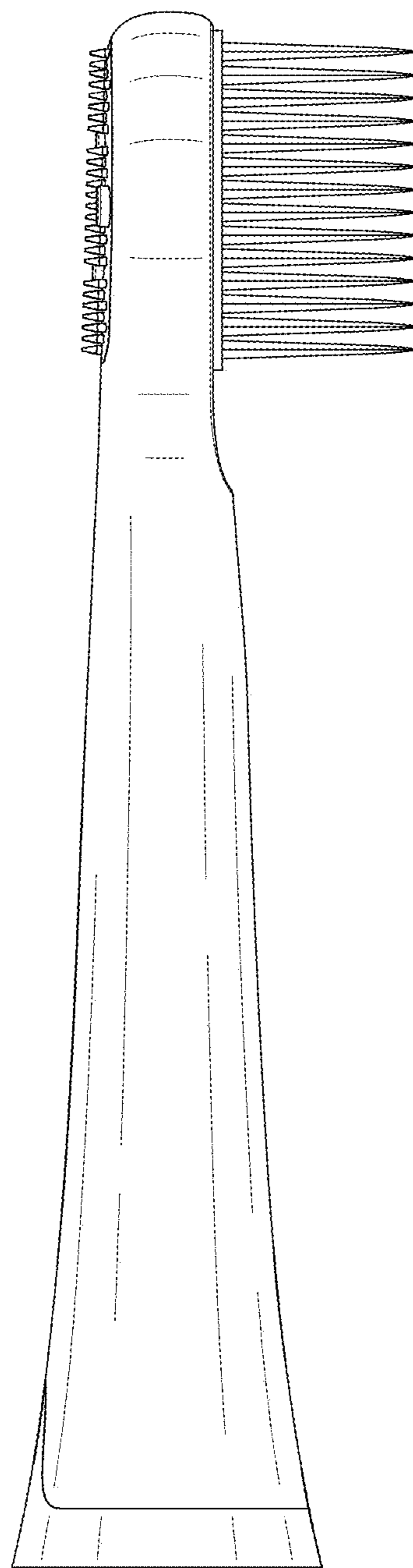


FIG. 6

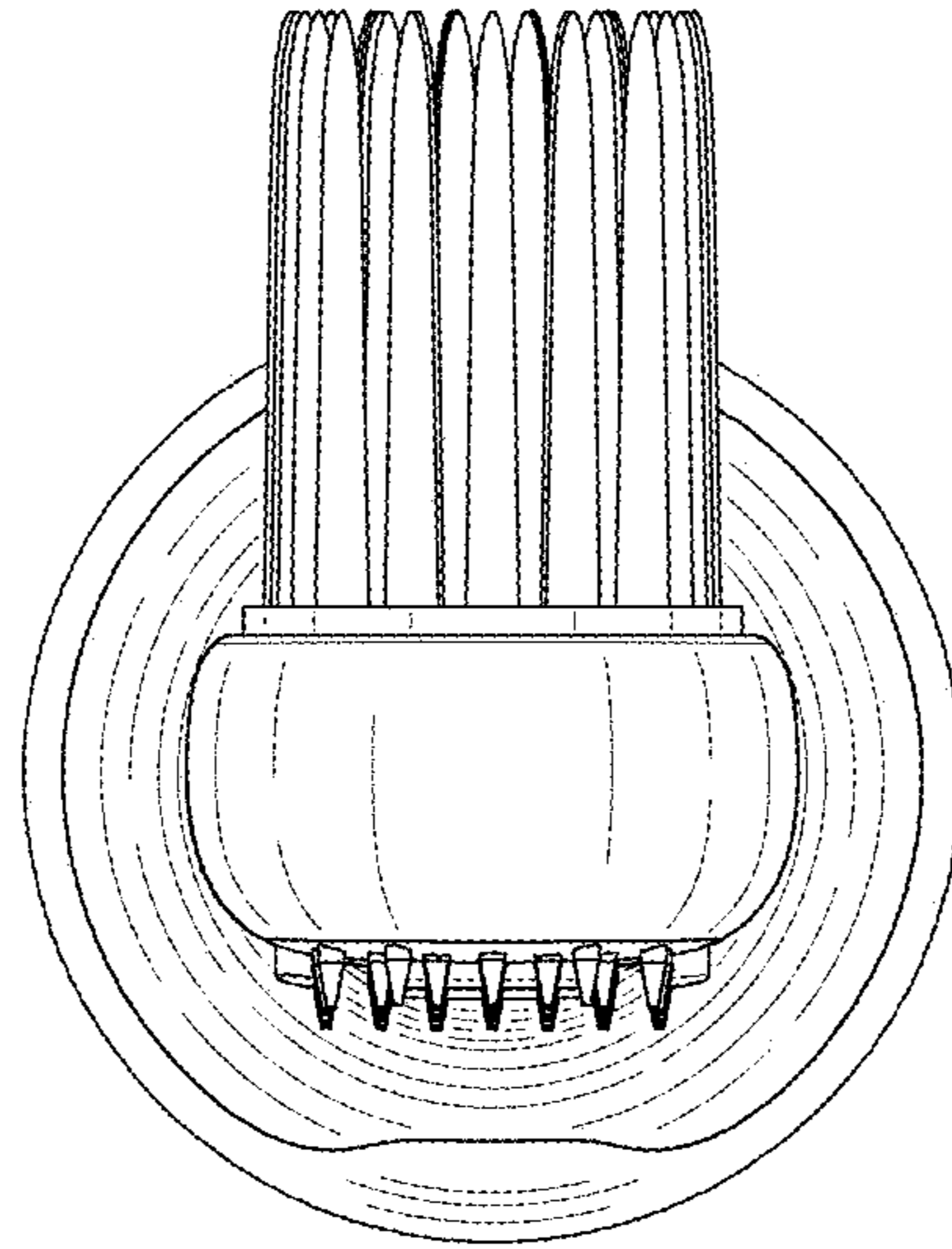


FIG. 7

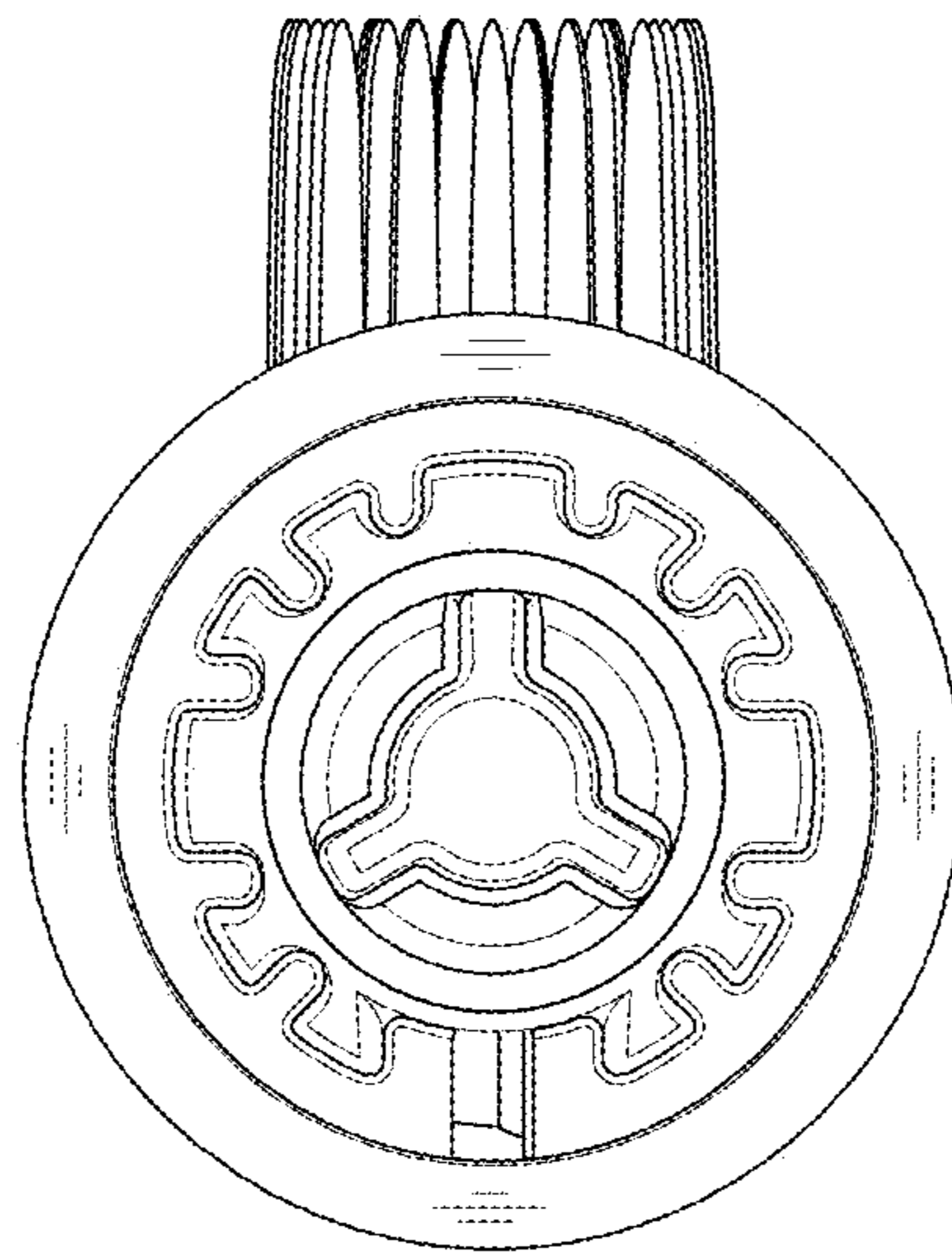


FIG. 8

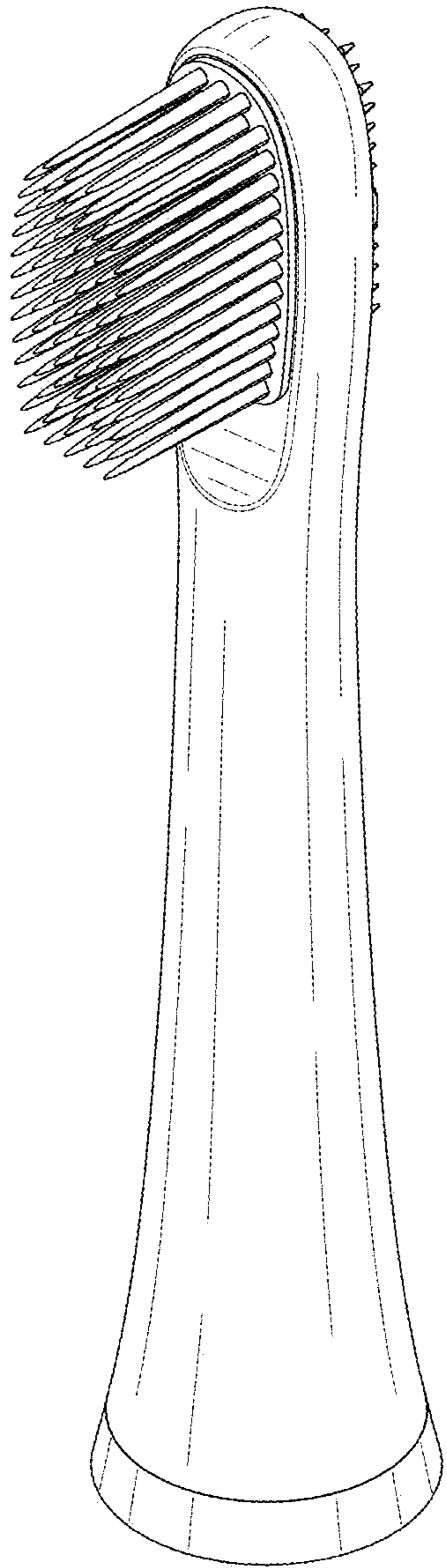


FIG. 9

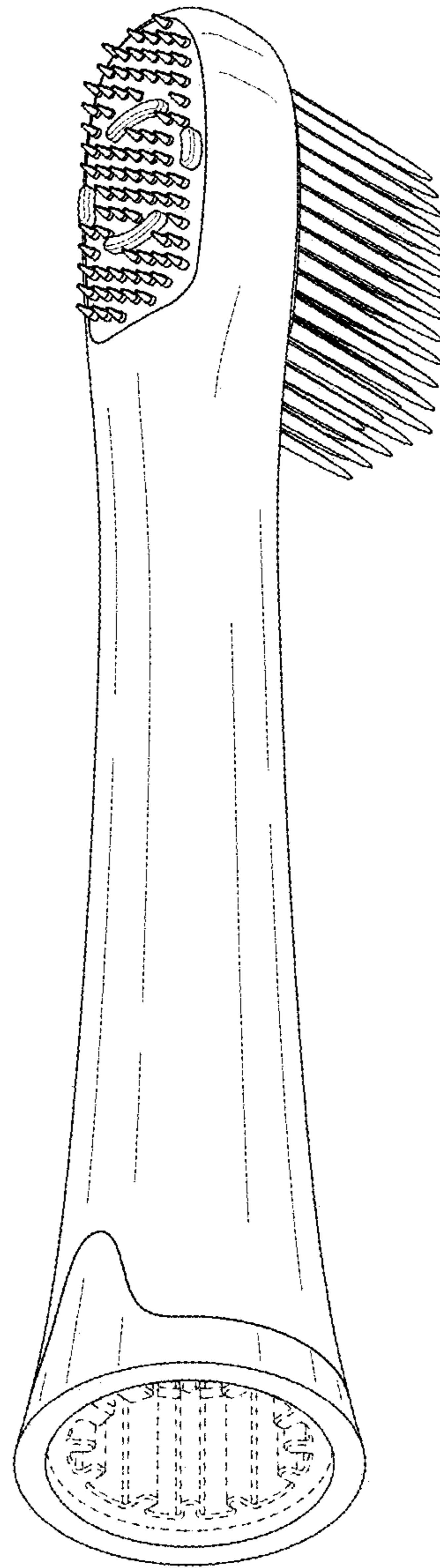


FIG. 10

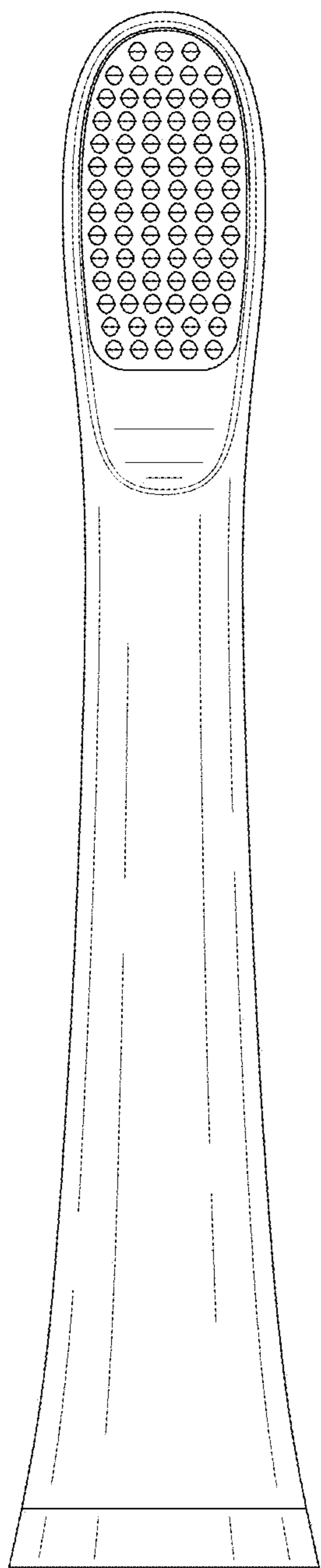


FIG. 11

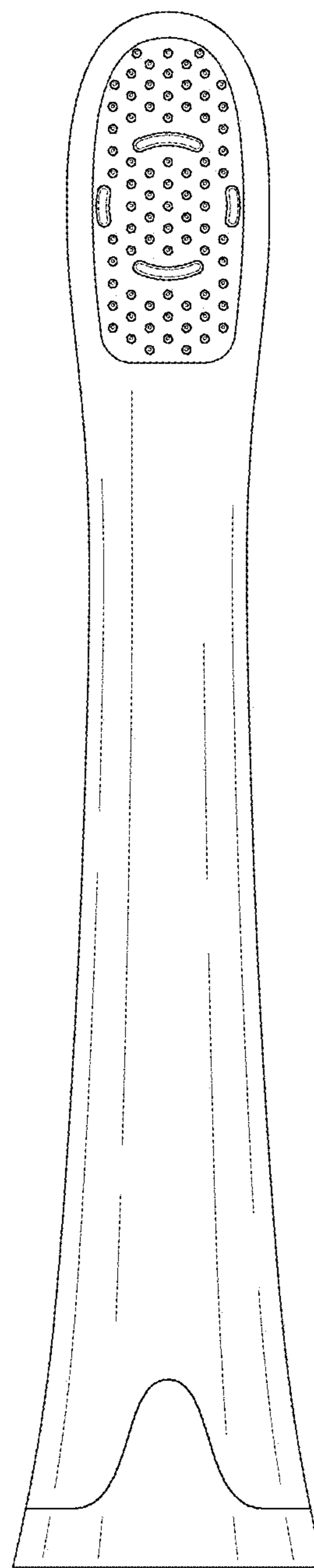


FIG. 12

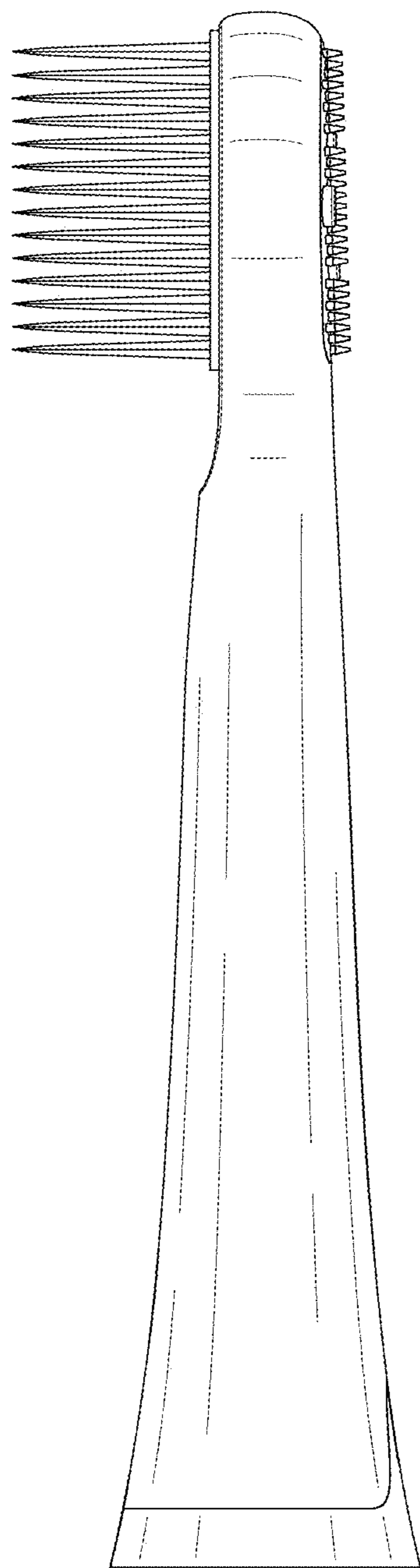


FIG. 13

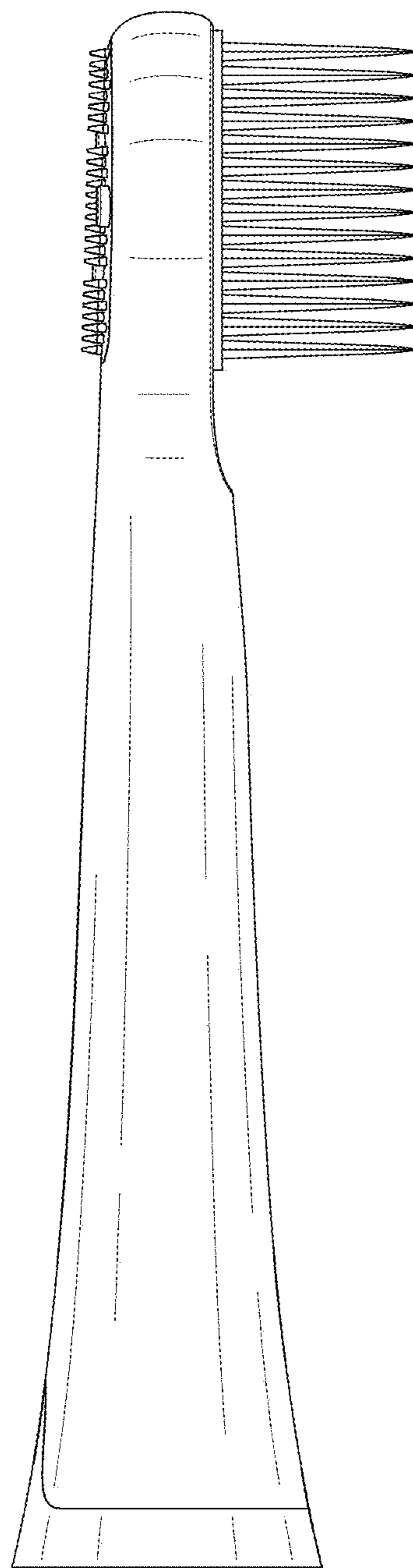


FIG. 14

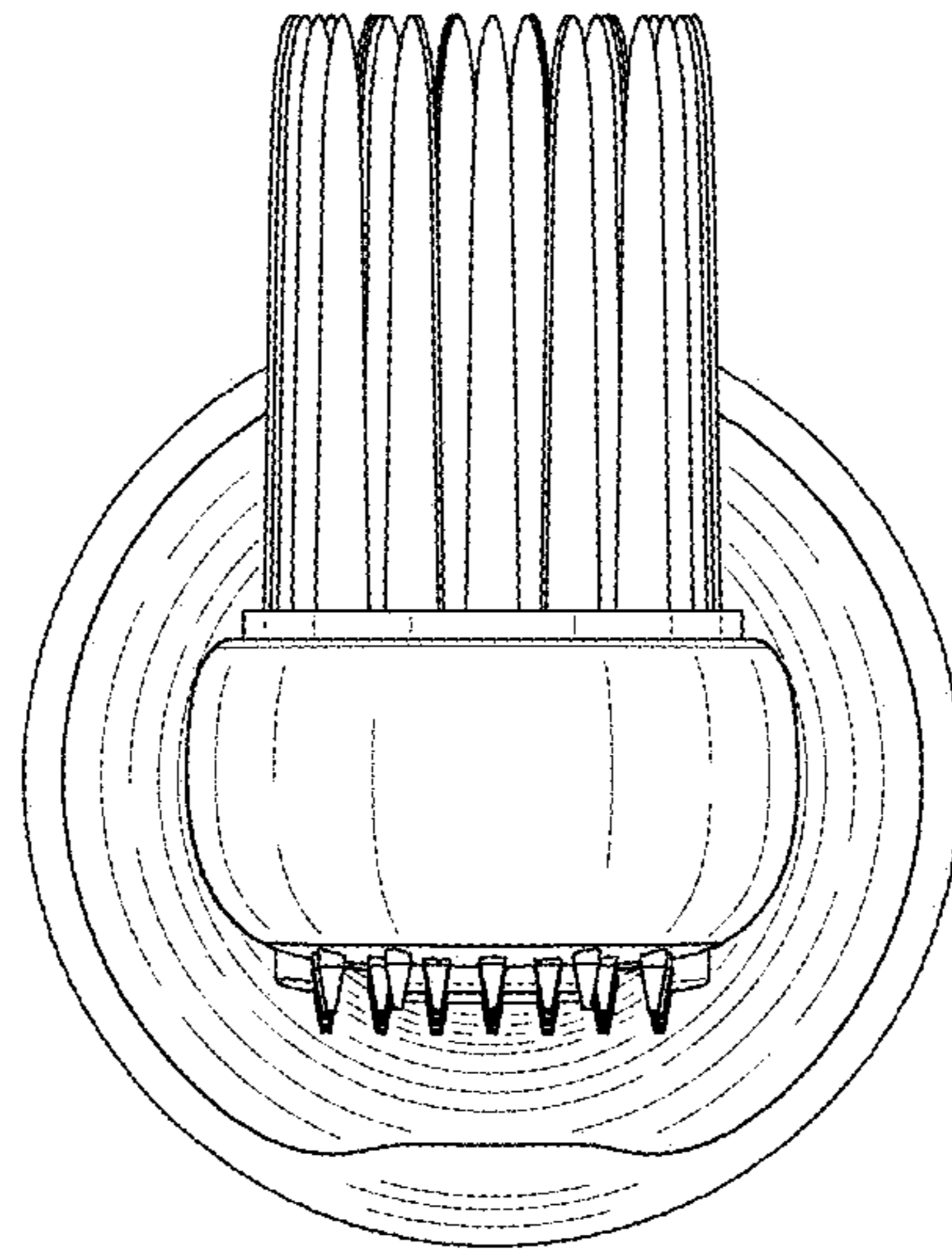


FIG. 15

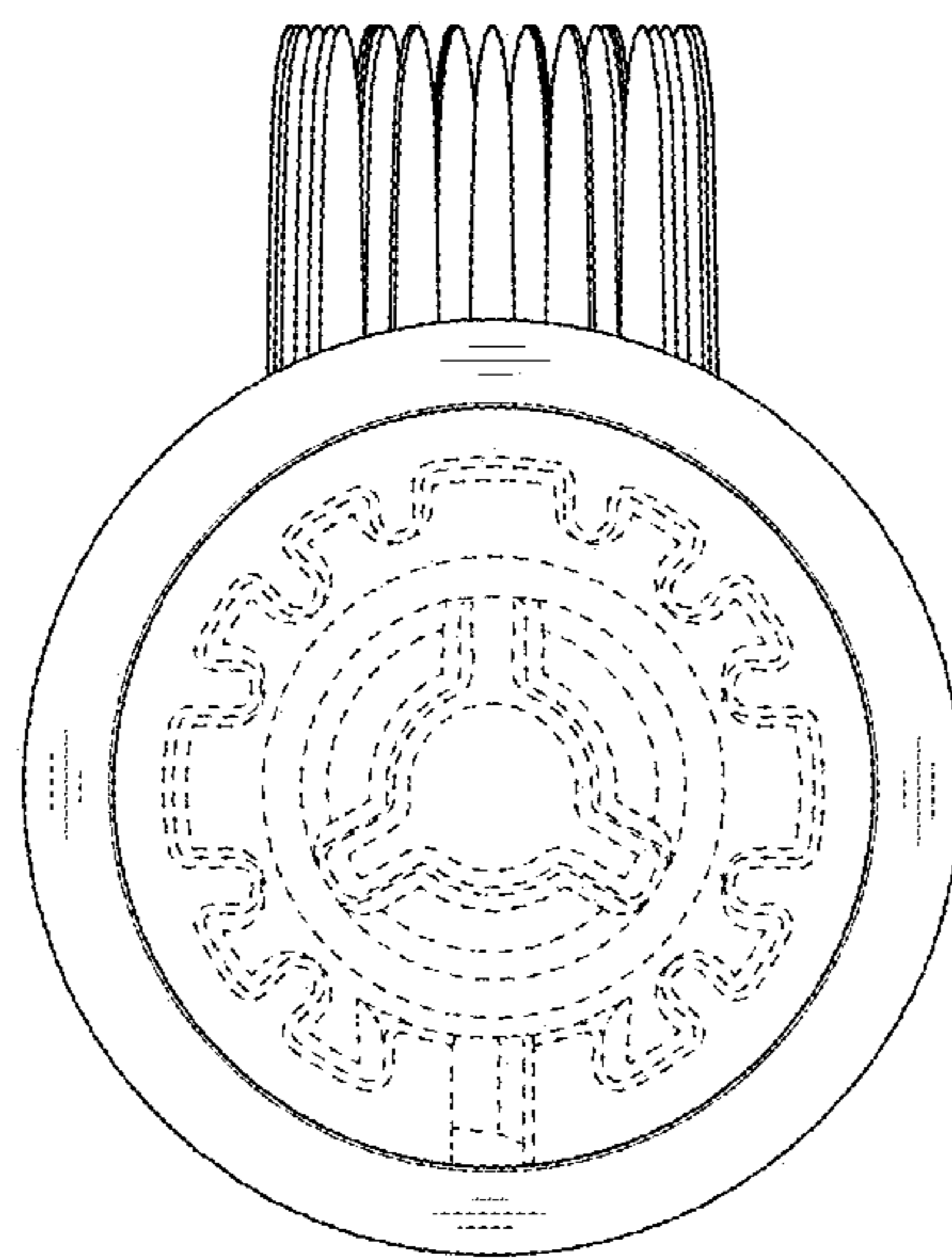


FIG. 16