



US00D895972S

(12) **United States Design Patent** (10) **Patent No.:** **US D895,972 S**  
**Janowick et al.** (45) **Date of Patent:** **\*\* \*Sep. 15, 2020**

(54) **STRAIGHTENING BRUSH**  
(71) Applicant: **Helen of Troy Limited**, St. Michael (BB)  
(72) Inventors: **David T. Janowick**, Santa Ana, CA (US); **Jane Yoojung Moon**, Fullerton, CA (US); **Stephen Joseph Gwin**, Playa del Rey, CA (US)

D838,989 S \* 1/2019 Yan ..... D4/100  
D842,539 S \* 3/2019 Guy-Rabi ..... D28/35  
D848,745 S \* 5/2019 Park ..... D4/100  
D855,996 S \* 8/2019 Park ..... D4/100

FOREIGN PATENT DOCUMENTS

CN 303953576 \* 11/2016  
CN 303962042 \* 12/2016  
CN 303990661 \* 12/2016

(73) Assignee: **Helen of Troy Limited**, St. Michael (BB)

OTHER PUBLICATIONS

(\* ) Notice: This patent is subject to a terminal disclaimer.

Screen captures from video, "DryBar Heated Straightening Brush Review," by Aislinn Giles [on-line]. [Published Dec. 30, 2018.] [Retrieved from the Internet Mar. 2, 2020.] URL: <https://www.youtube.com/watch?v=9nDmH1q0P4> (Year: 2018).\*  
"Beauty Review: DryBar Brush Crush and Hot Toddy Mist," by Kelsey Lynn [on-line]. [Published Sep. 18, 2018.] [Retrieved from the Internet Mar. 2, 2020.] URL: <https://kelseylynnb.com/beauty-review-drybar-brush-crush-and-hot-toddy-mist/> (Year: 2018).\*

(\*\*) Term: **15 Years**

\* cited by examiner

(21) Appl. No.: **29/672,251**

(22) Filed: **Dec. 4, 2018**

*Primary Examiner* — Karen E Eldridge Powers

(51) **LOC (12) Cl.** ..... **28-03**

(52) **U.S. Cl.**  
USPC ..... **D4/100; D28/35**

(58) **Field of Classification Search**  
USPC ..... D4/100, 117, 120, 121, 130, 136, 138, D4/199; 132/120; D28/24, 25, 35  
CPC ..... A45D 20/48; A45D 20/50; A45D 20/52; A45D 24/16; A45D 24/007; A45D 2/001; A45D 2/002; A45D 7/02; A46B 15/003; A46B 15/0059; A46B 9/023  
See application file for complete search history.

(57) **CLAIM**

The ornamental design for a straightening brush, as shown and described.

**DESCRIPTION**

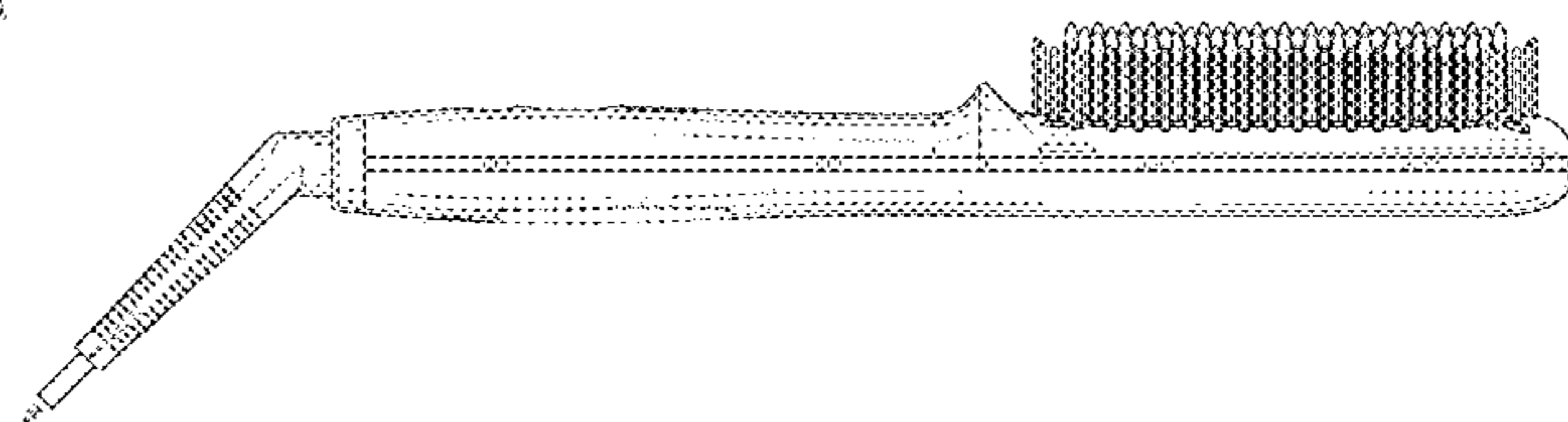
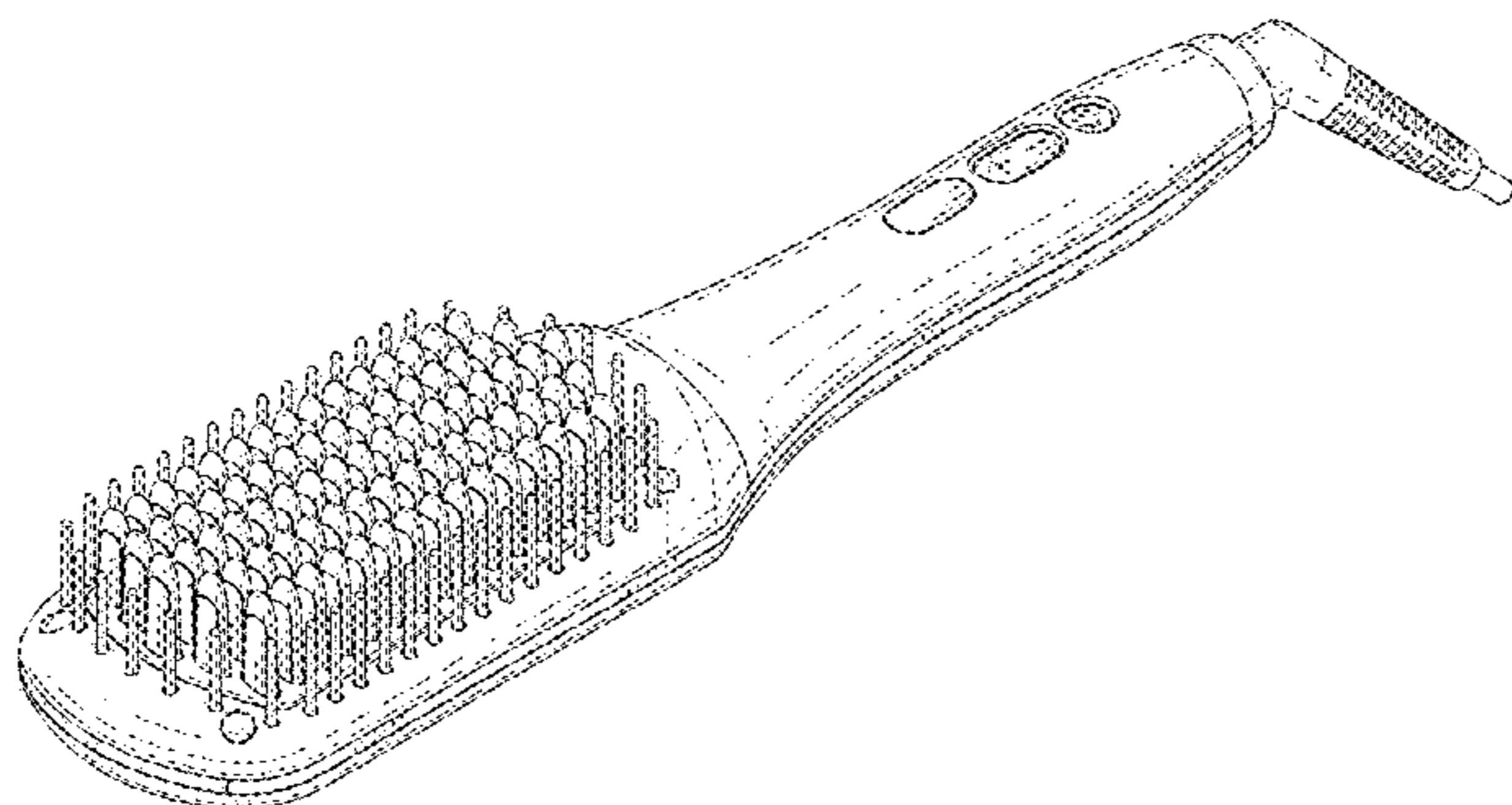
FIG. 1 is a front perspective view of a straightening brush embodying our design;  
FIG. 2 is a rear perspective view thereof;  
FIG. 3 is a right-side elevation view thereof;  
FIG. 4 is a left-side elevation view thereof;  
FIG. 5 is a front elevation view thereof;  
FIG. 6 is a rear elevation view thereof;  
FIG. 7 is a top plan view thereof; and,  
FIG. 8 is a bottom plan view thereof.  
The broken lines illustrate portions of the straightening brush and form no part of the claimed subject matter.

(56) **References Cited**

U.S. PATENT DOCUMENTS

D804,188 S \* 12/2017 Du ..... D4/100  
D815,774 S \* 4/2018 Mercier ..... D28/25  
D815,837 S \* 4/2018 Zhou ..... D4/100  
D821,648 S \* 6/2018 Qiu ..... D28/25  
D821,754 S \* 7/2018 Huang ..... D4/100  
D825,929 S \* 8/2018 Julemont ..... D4/100  
D826,567 S \* 8/2018 Yan ..... D4/100  
D836,344 S \* 12/2018 Keong ..... D4/100

**1 Claim, 7 Drawing Sheets**



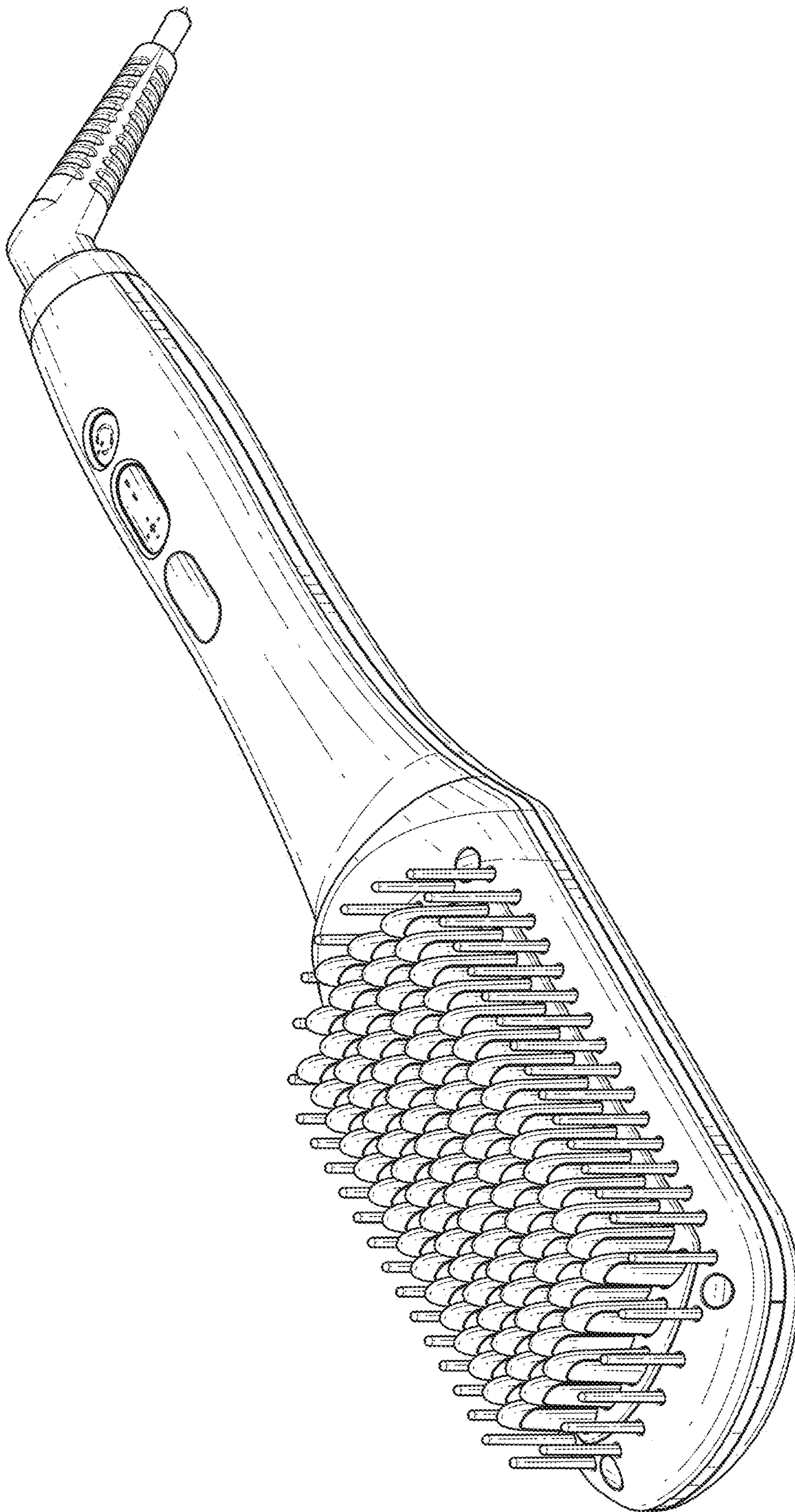


FIG. 1

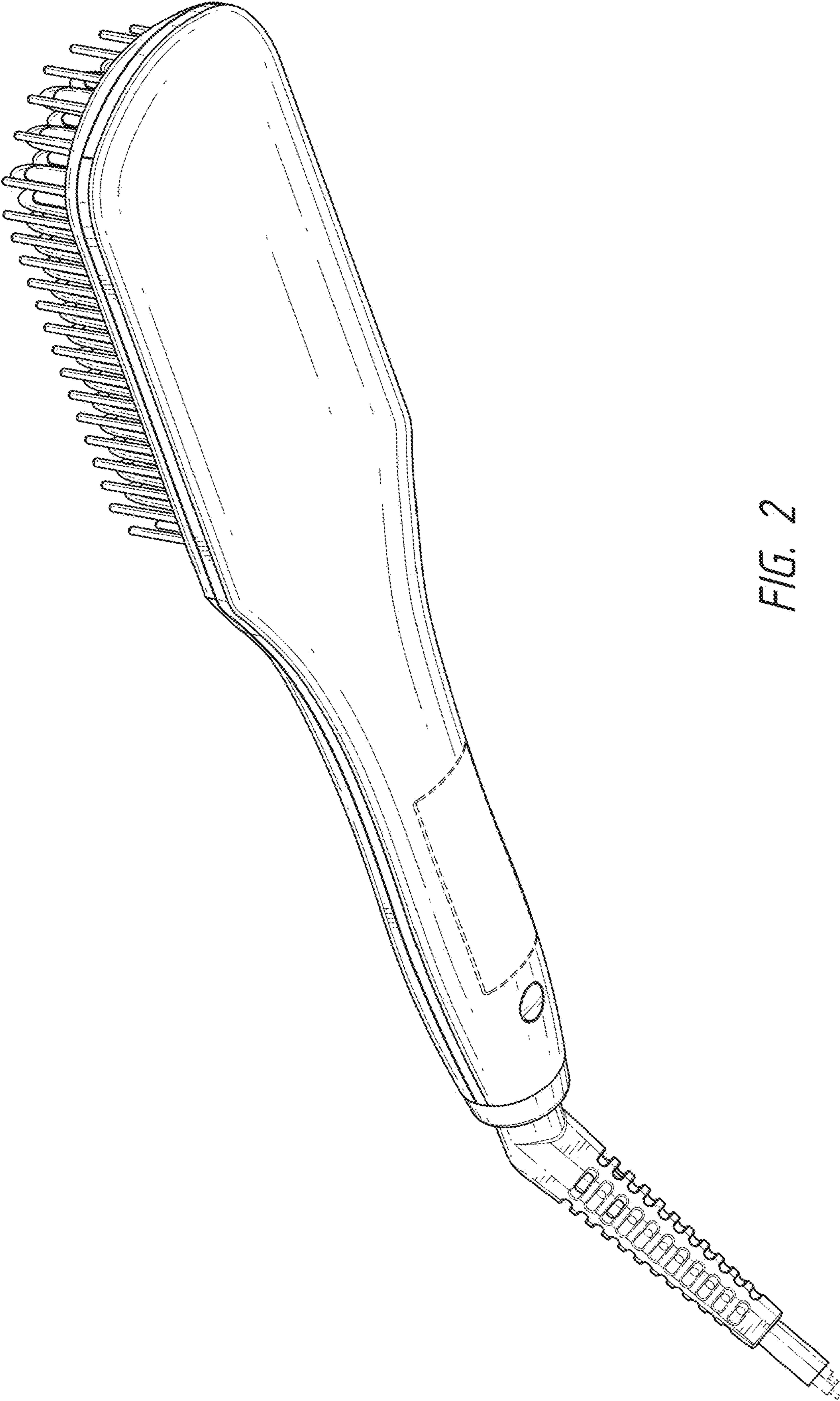


FIG. 2

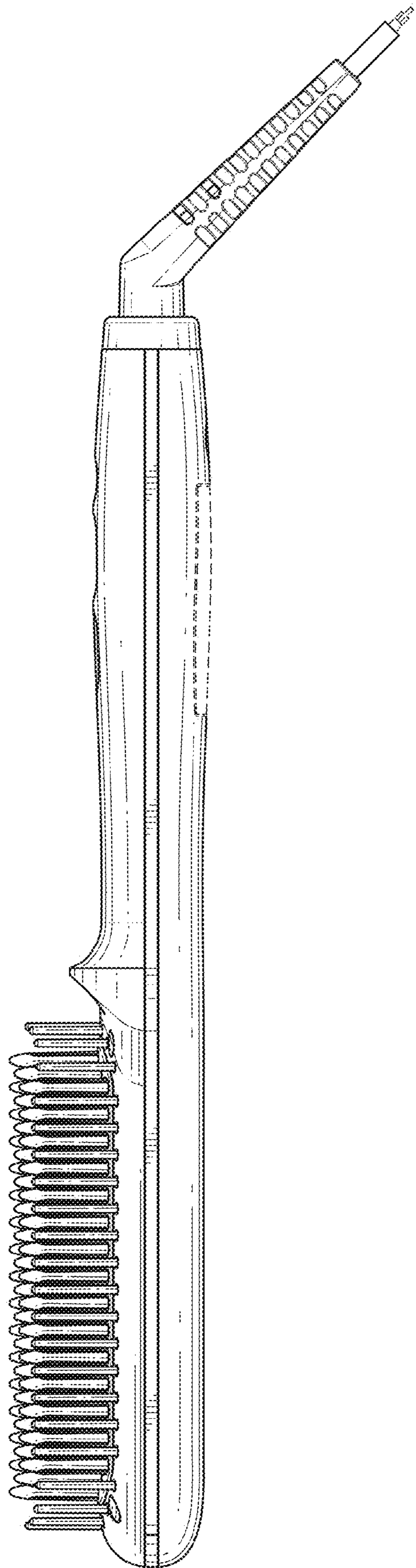


FIG. 3

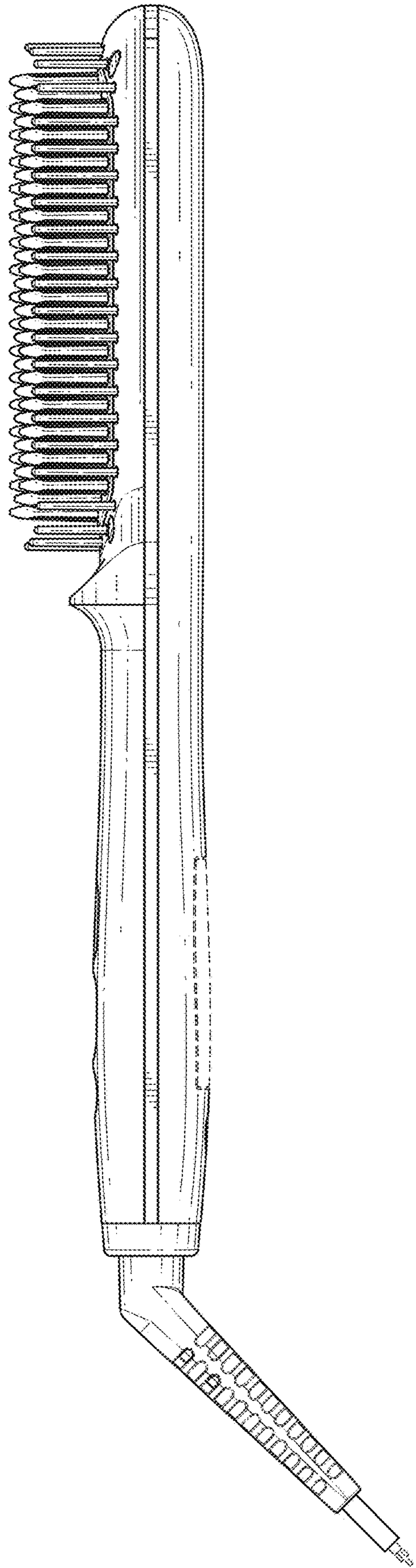


FIG. 4

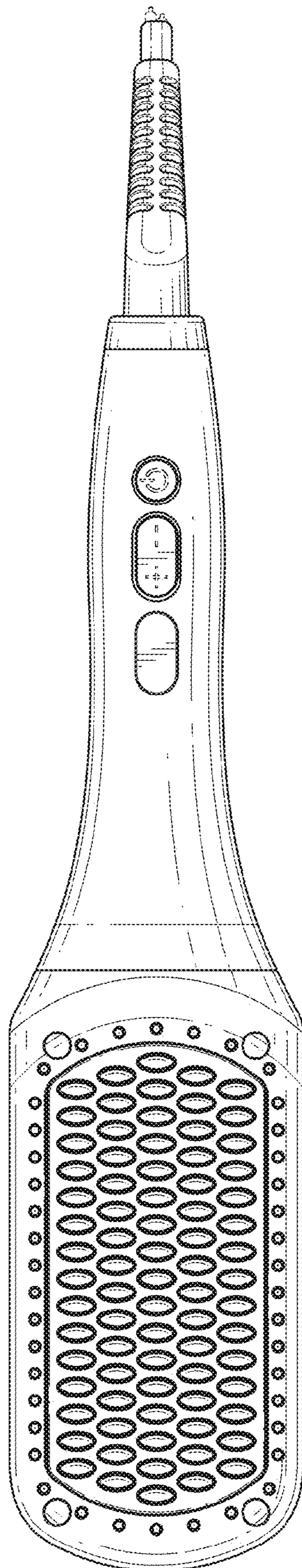


FIG. 5

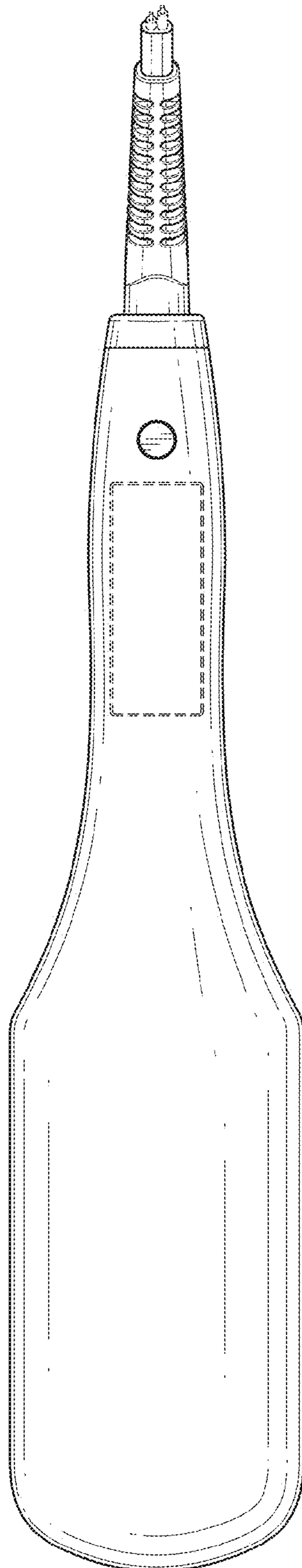


FIG. 6

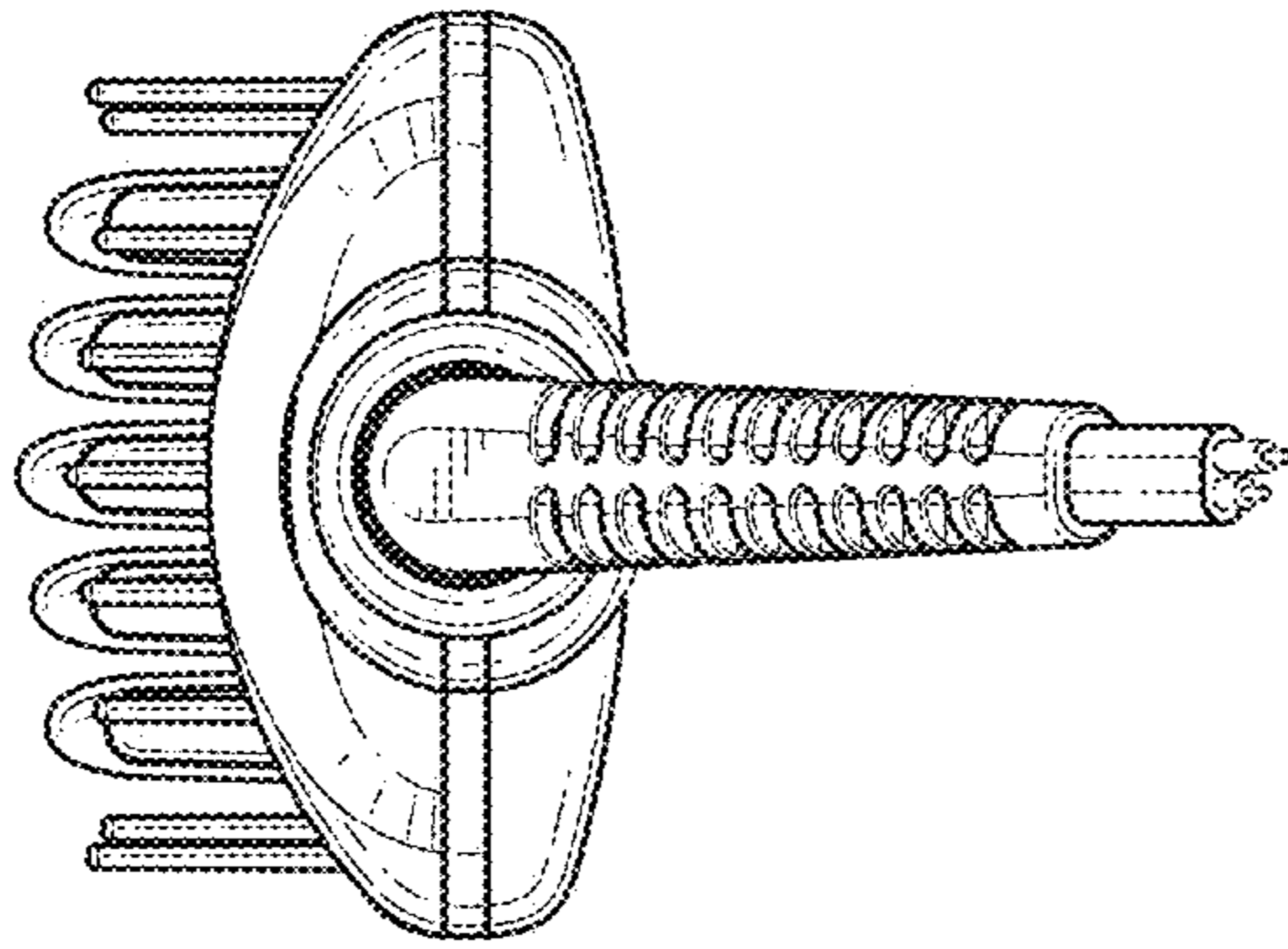


FIG. 8

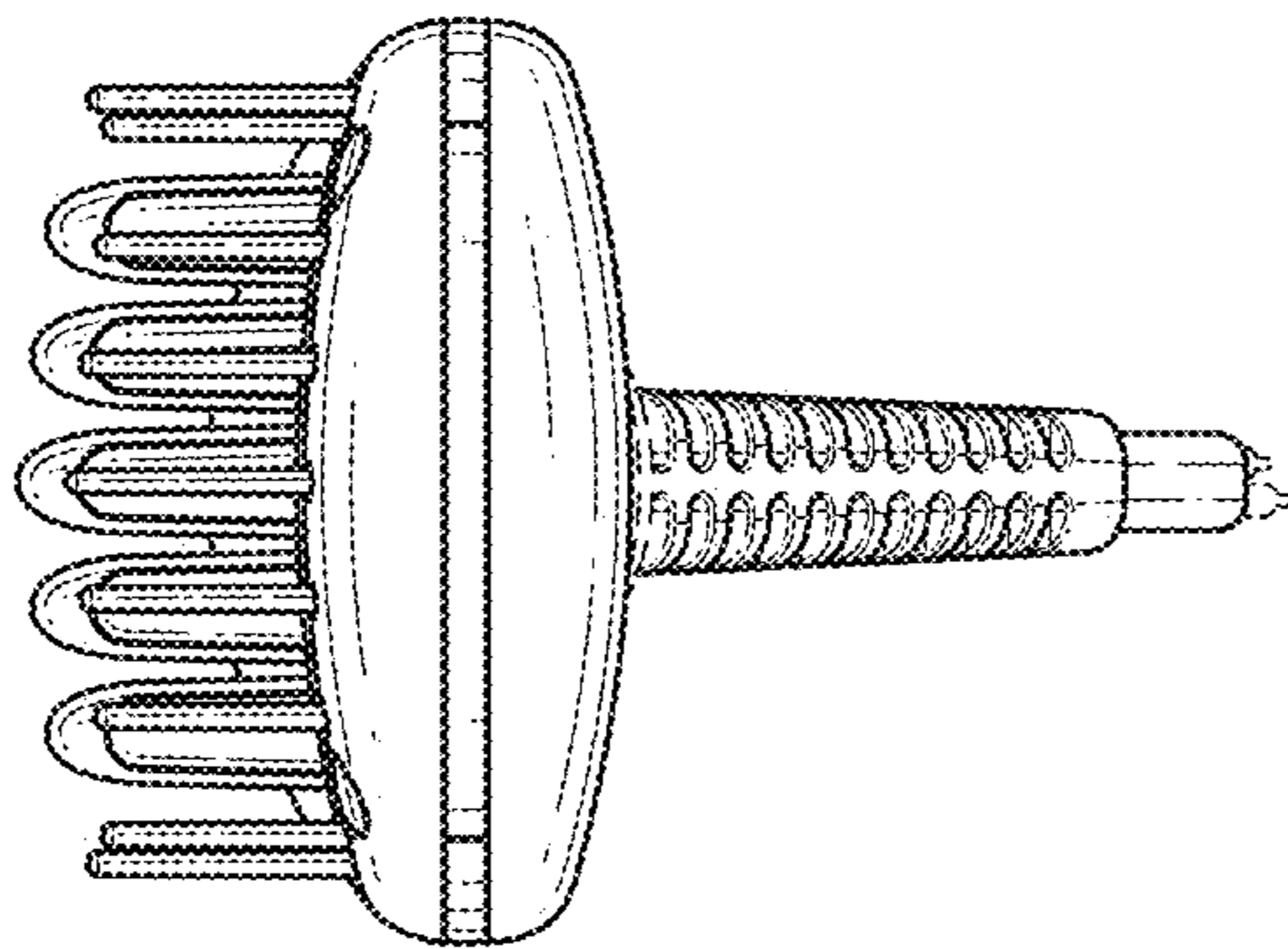


FIG. 7