



US00D895970S

(12) **United States Design Patent** (10) **Patent No.:** **US D895,970 S**  
**Kraemer** (45) **Date of Patent:** **\*\* Sep. 15, 2020**

- (54) **BIN**
- (71) Applicant: **InterDesign, Inc.**, Solon, OH (US)
- (72) Inventor: **Kevin Francis Kraemer**, Chagrin Falls, OH (US)
- (73) Assignee: **InterDesign, Inc.**, Solon, OH (US)
- (\*\*) Term: **15 Years**
- (21) Appl. No.: **29/712,035**
- (22) Filed: **Nov. 5, 2019**

**Related U.S. Application Data**

- (63) Continuation of application No. 29/678,011, filed on Jan. 25, 2019, now Pat. No. Des. 878,051, which is a continuation of application No. 29/636,788, filed on Feb. 12, 2018, now Pat. No. Des. 842,607, which is a continuation of application No. 29/552,628, filed on Jan. 25, 2016, now Pat. No. Des. 809,797, which is a continuation of application No. 29/471,492, filed on Nov. 1, 2013, now Pat. No. Des. 751,318, which is a continuation of application No. 29/411,666, filed on Jan. 25, 2012, now Pat. No. Des. 694,548.

- (51) **LOC (12) Cl.** ..... **03-01**
- (52) **U.S. Cl.**  
USPC ..... **D3/310; D3/307**

- (58) **Field of Classification Search**  
USPC ..... D3/200-201, 203.1, 203.3, 205-206, D3/303-315; D19/75, 77, 86, 90, 92, D19/100; 206/503-507, 510, 512, 564, 206/822; D32/37; D9/643-644, D9/645-647, 703, 425-426, 432; 220/607, 643, 659, 676, 657; 229/100, 229/406, 913-914  
CPC ... B65D 1/22; B65D 1/24; B65D 1/34; B65D 1/38; A47B 77/18; A47B 88/906; A47B 88/969; A47B 88/994; A47B 2210/175; A47B 2210/19; A47B 75/00; A47B

71/00; A47J 47/00; A47J 47/16; A47J 47/18; A47F 3/14; A47F 3/145; F25D 25/025; F25C 5/182

See application file for complete search history.

(56) **References Cited**

U.S. PATENT DOCUMENTS

2,728,485	A *	12/1955	Howard	.....	B65D 71/0014 206/200
D387,559	S *	12/1997	Williamson	.....	D3/313
D455,921	S *	4/2002	Quinn	.....	D3/304
D512,836	S *	12/2005	Marnell, II	.....	D3/313
D542,532	S *	5/2007	Kopenhaver	.....	D3/305
D549,457	S *	8/2007	Dretzka	.....	D3/304
D657,562	S *	4/2012	McNamara	.....	D3/304
D689,941	S *	9/2013	Hu	.....	D19/77
D830,060	S *	10/2018	Kraemer	.....	D3/310
D842,606	S *	3/2019	Kraemer	.....	D3/307
D842,607	S *	3/2019	Kraemer	.....	D3/310

(Continued)

*Primary Examiner* — Nathan M Johnston

(74) *Attorney, Agent, or Firm* — Calfee Halter & Griswold, LLP

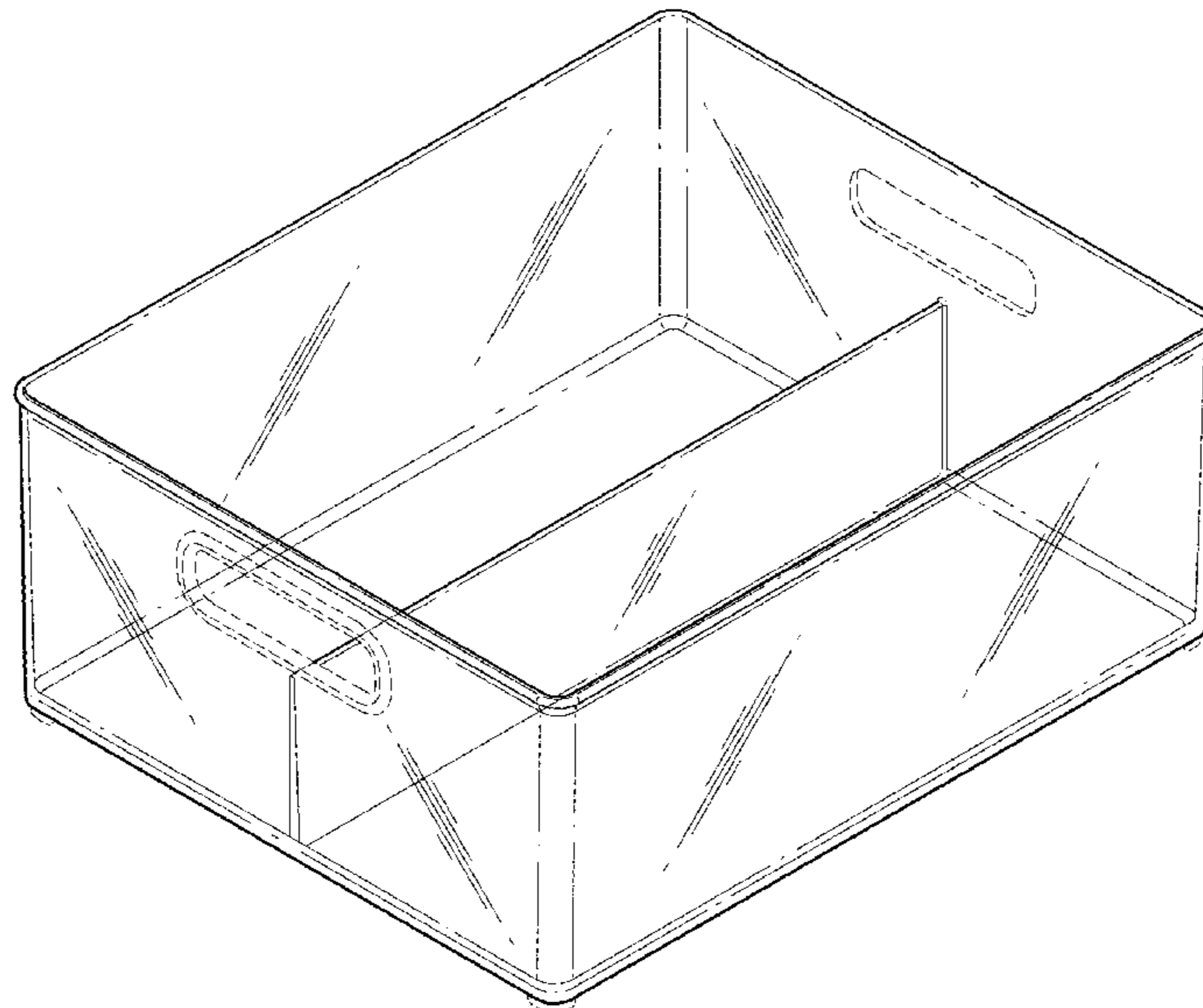
(57) **CLAIM**

I claim the ornamental design for a bin, as shown and described.

**DESCRIPTION**

FIG. 1 is a front/right/top perspective view of a bin;  
 FIG. 2 is a rear/left/bottom perspective view thereof;  
 FIG. 3 is a top plan view thereof;  
 FIG. 4 is a bottom plan view thereof;  
 FIG. 5 is a right side elevational view thereof;  
 FIG. 6 is a front elevational view thereof; and,  
 FIG. 7 is a rear elevational view thereof.  
 The broken lines depict portions that form no part of the claimed design.

**1 Claim, 6 Drawing Sheets**



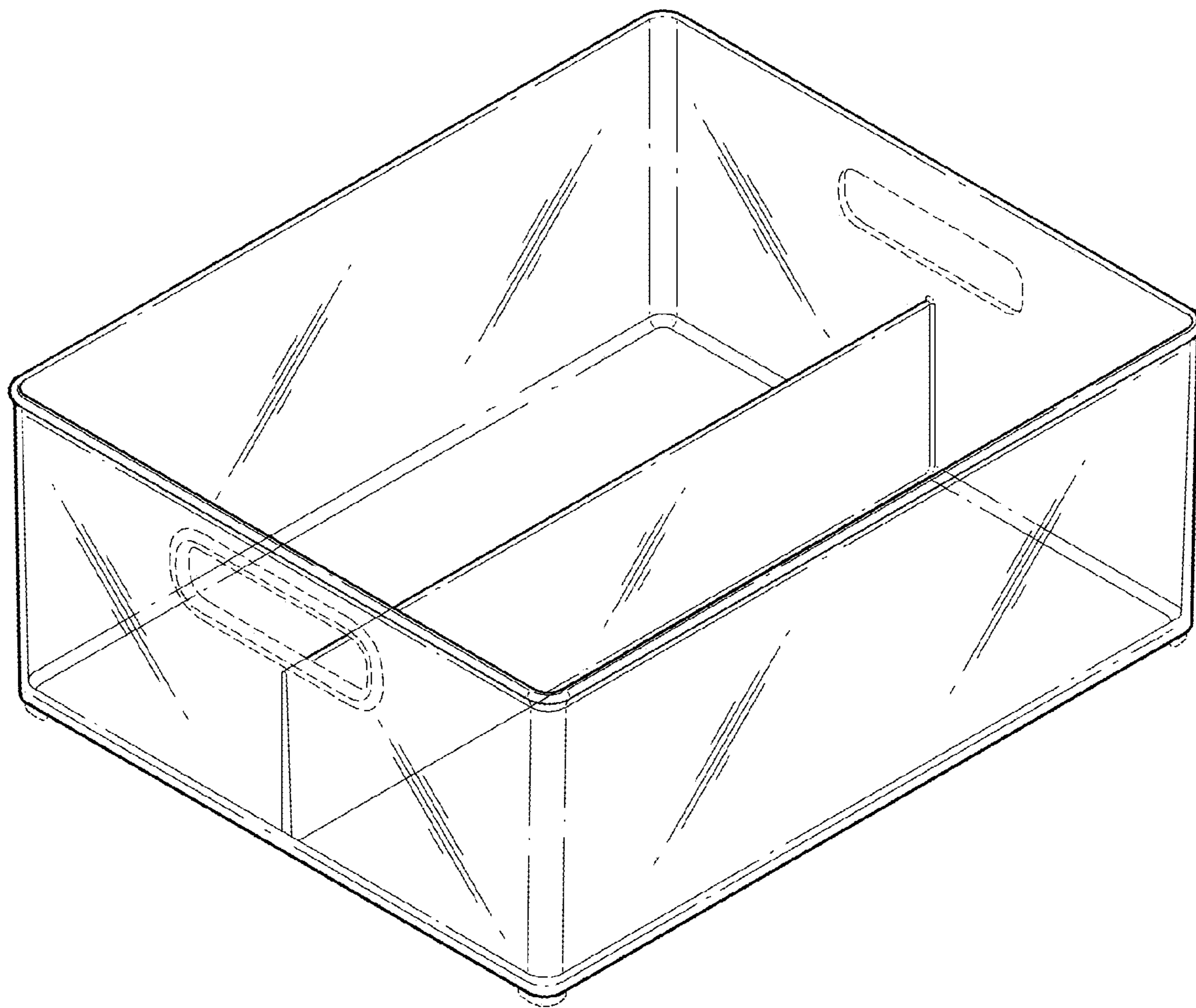
(56)

**References Cited**

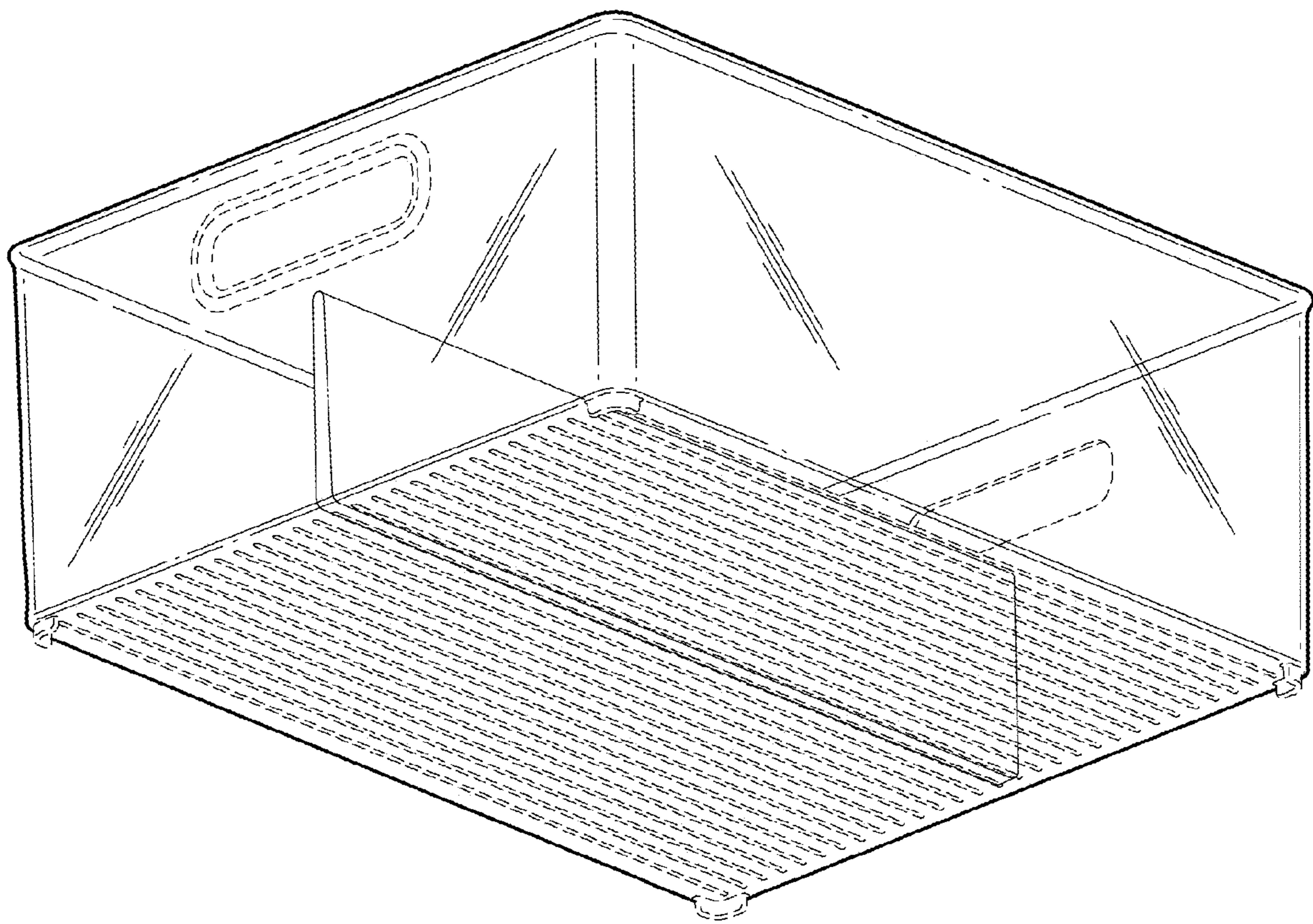
U.S. PATENT DOCUMENTS

D866,973 S \* 11/2019 Snell ..... D3/314  
D878,051 S \* 3/2020 Kraemer ..... D3/307

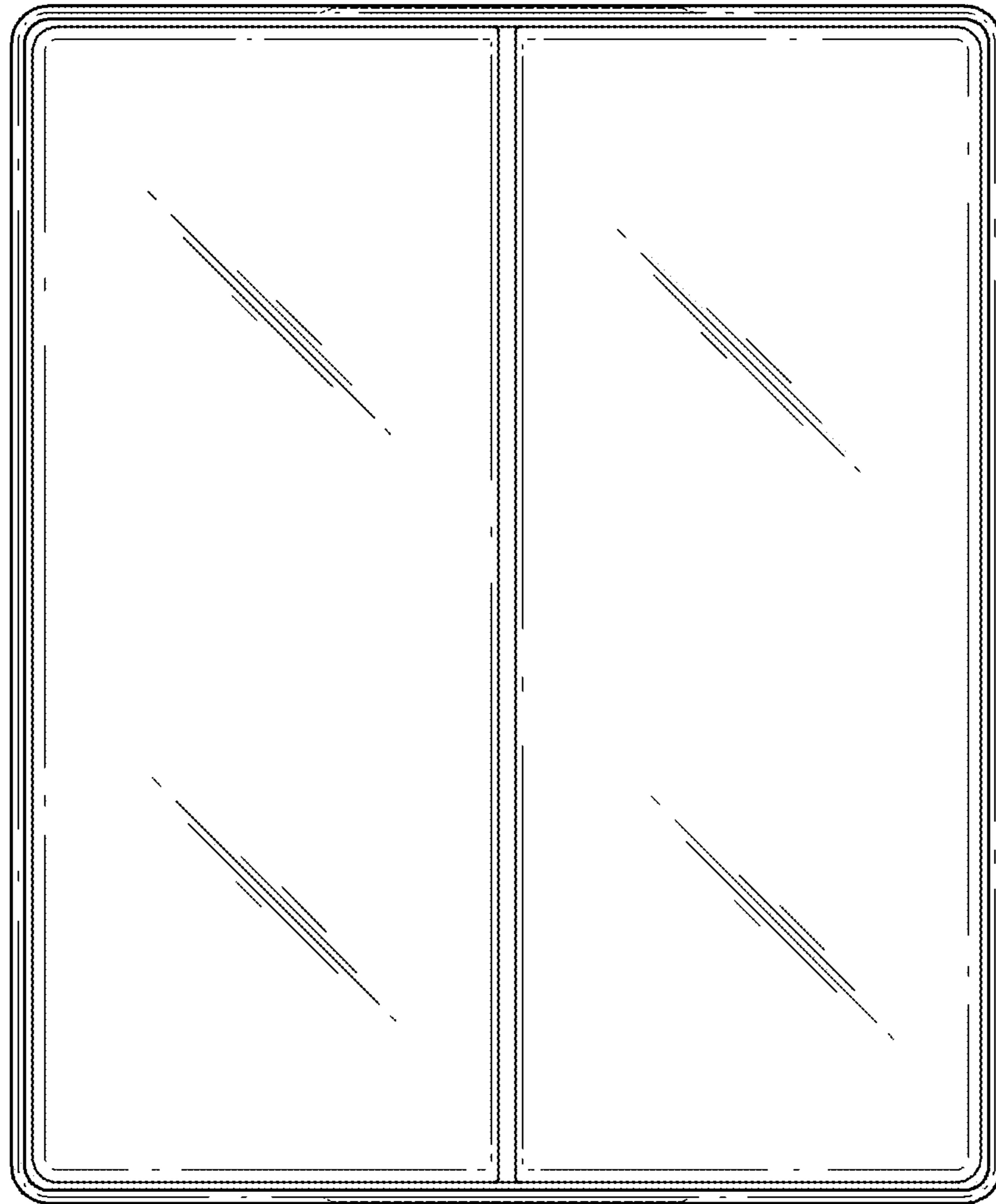
\* cited by examiner



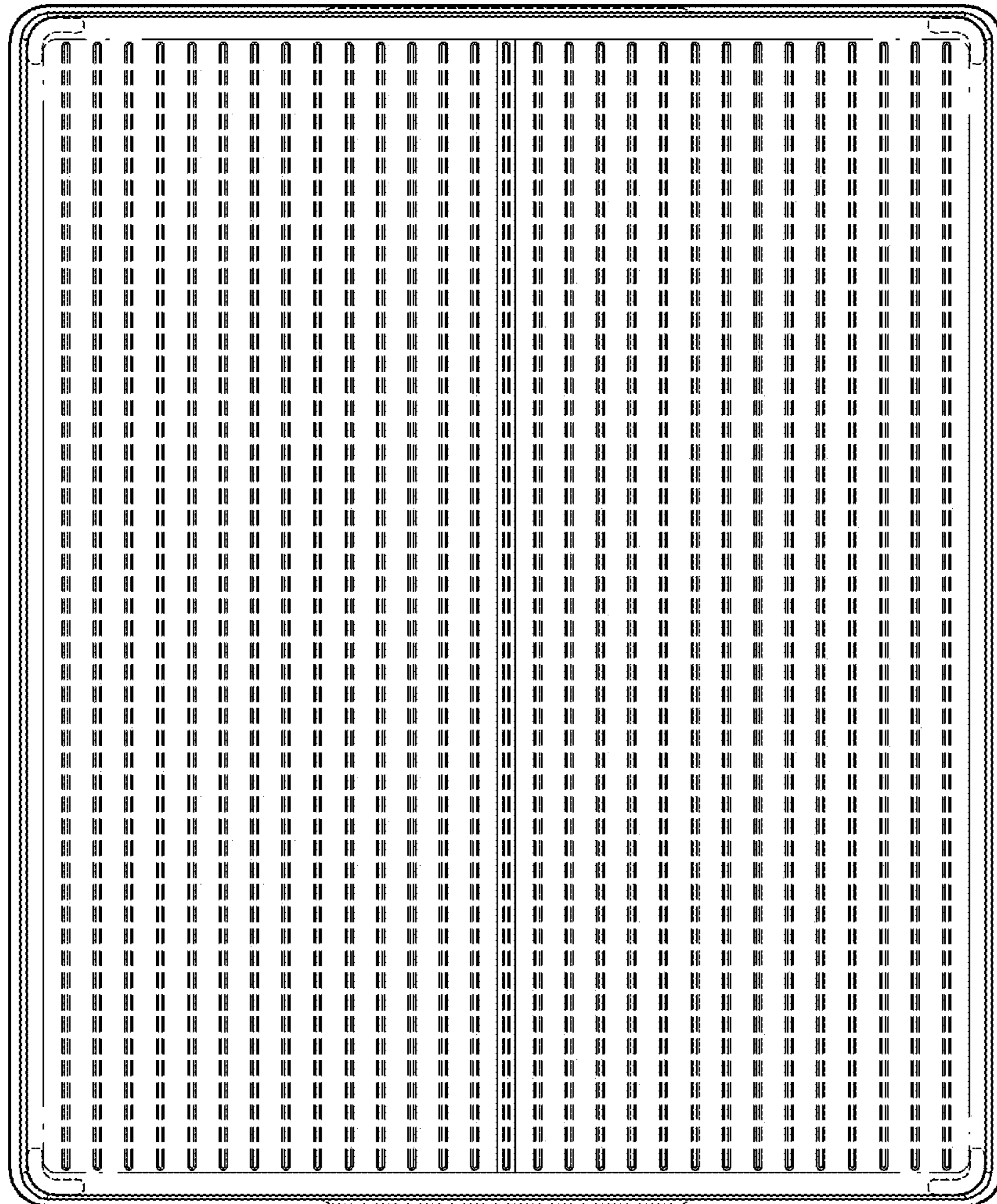
**FIG. 1**



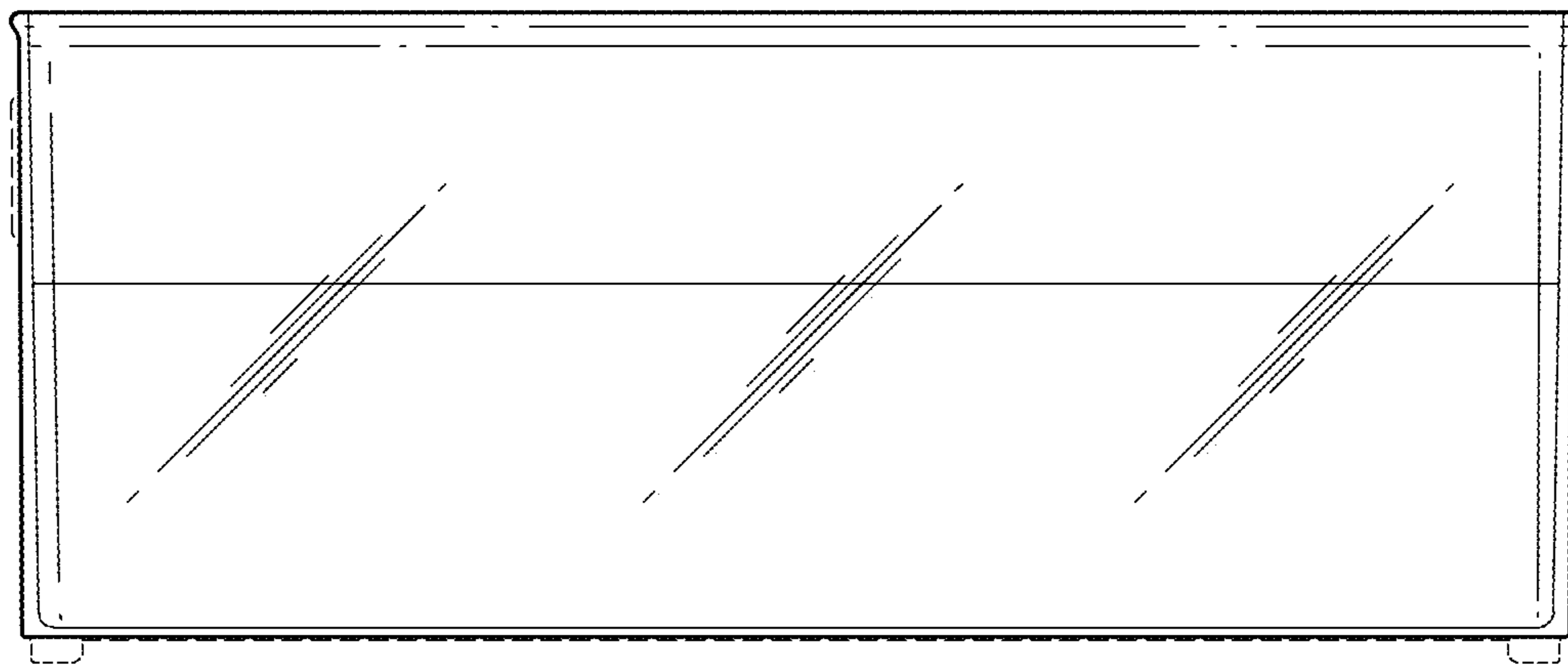
**FIG. 2**



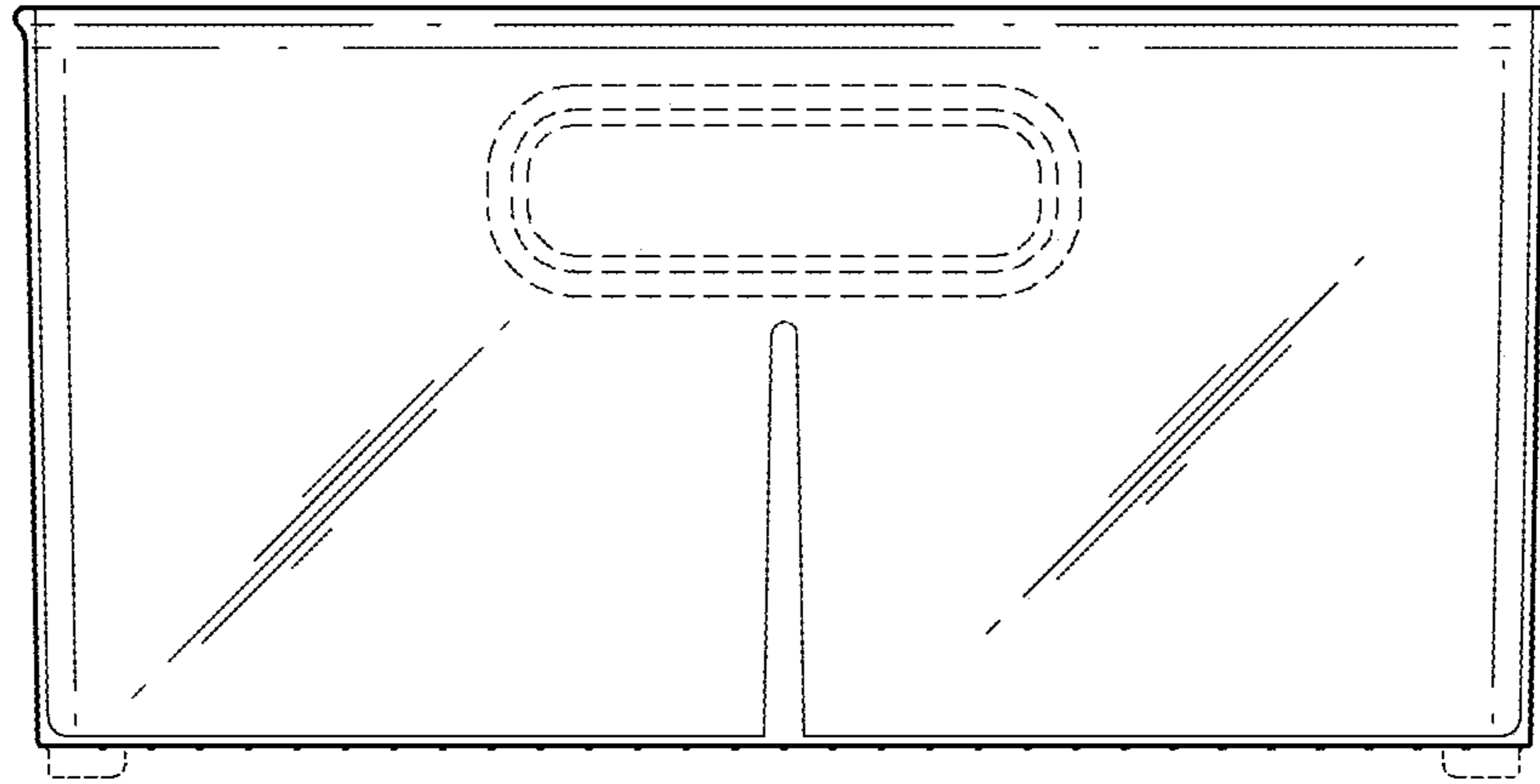
**FIG. 3**



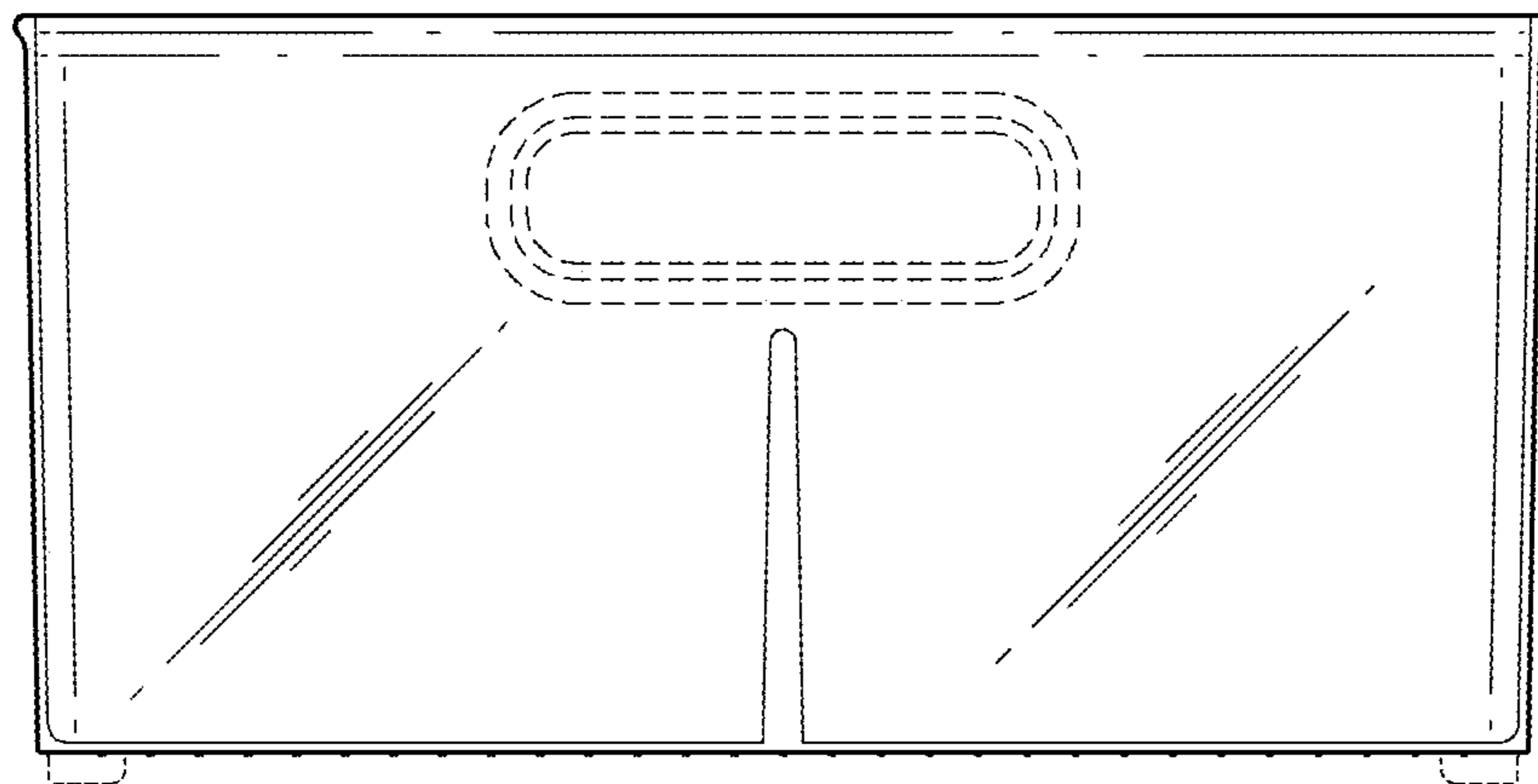
**FIG. 4**



**FIG. 5**



**FIG. 6**



**FIG. 7**