

US00D895967S

(12) **United States Design Patent** (10) **Patent No.:** **US D895,967 S**
Brunner et al. (45) **Date of Patent:** **** Sep. 15, 2020**

(54) **TOOL BOX**

FOREIGN PATENT DOCUMENTS

(71) Applicants: **Keter Plastic Ltd.**, Herzelyia (IL);
Milwaukee Electric Tool Corporation,
Brookfield, WI (US)

CN 102608238 Y 3/2004
CN 200947356 Y 9/2007

(Continued)

(72) Inventors: **Yaron Brunner**, Kibbutz Gvat (IL);
Omer Menashri, Kibbutz Afikim (IL);
Izhar Shani, Kibbutz Gvat (IL); **Uri**
Parizer, Kibbutz Hukok (IL); **Grant T.**
Squiers, Cudahy, WI (US)

OTHER PUBLICATIONS

International Search Report and Written Opinion for International
Application No. PCT/US2018/044629, dated Jan. 9, 2019 (20
pages).

(Continued)

(73) Assignees: **Keter Plastic Ltd.**, Herzelyia (IL);
Milwaukee Electric Tool Corporation,
Brookfield, WI (US)

Primary Examiner — Lilyana Bekic

Assistant Examiner — Mary Shannon Malley

(**) Term: **15 Years**

(74) *Attorney, Agent, or Firm* — Vorys, Sater, Seymour &
Pease LLP; William Klima

(21) Appl. No.: **29/703,788**

(57) **CLAIM**

(22) Filed: **Aug. 29, 2019**

The ornamental design for a tool box, as shown and
described.

Related U.S. Application Data

DESCRIPTION

(62) Division of application No. 29/613,377, filed on Aug.
9, 2017.

(51) **LOC (12) Cl.** **03-01**

(52) **U.S. Cl.**
USPC **D3/294**

(58) **Field of Classification Search**
USPC D3/203.1, 203.3, 205, 260, 272, 273,
D3/274, 275, 276, 279, 280, 281, 282,
(Continued)

FIG. 1 is a top perspective view showing our new design for
a tool box;

FIG. 2 is a top plan view of the tool box of FIG. 1;

FIG. 3 is a front elevational view of the tool box of FIG. 1;

FIG. 4 is a rear elevational view of the tool box of FIG. 1;

FIG. 5 is a right side elevational view of the tool box of FIG.
1;

FIG. 6 is a bottom plan view of the tool box of FIG. 1; and,

FIG. 7 is a bottom perspective view of the tool box of FIG.
1.

The translucent grey overlay and the broken lines in the
drawings depict portions of the tool box that form no part of
the claimed design.

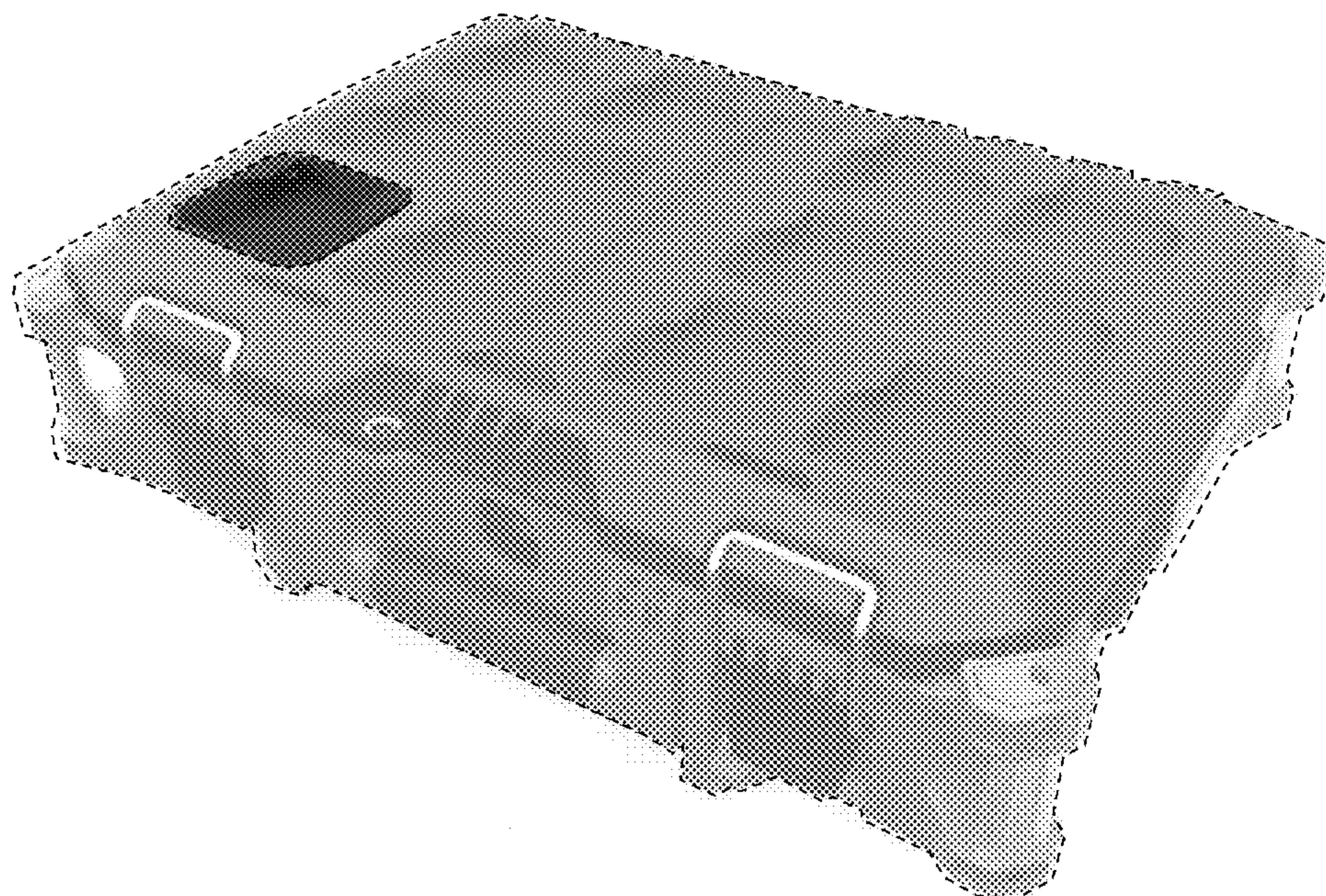
(56) **References Cited**

U.S. PATENT DOCUMENTS

2,042,387 A 5/1936 Cobb
2,430,200 A 11/1947 Wilson

(Continued)

1 Claim, 7 Drawing Sheets



US D895,967 S

- (58) **Field of Classification Search**
- | | | | | | | | | | | | | | | | | | | | | | | | | | | | | | | | | | | | | | | | | | | | | | | | | | | | | | | | | | | | | | | | | | | | | | | | | | | | | | | | | | | | | | | | | | | | | | | | | | | | | | | | | | | | | | | | | | | | | | | | | | | | | | | | | | | | | | | | | | | | | | | | | | | | | | | | | | | | | | | | | | | | | | | | | | | | | | | | | | | | | | | | | | | | | | | | | | | | | | | | | | | | | | | | | | | | | | | | | | | | | | | | | | | | | | | | | | | | | | | | | | | | | | | | | | | | | | | | | | | | | | | | | | | | | | | | | | | | | | | | | | | | | | | | | | | | | | | | | | | | | | | | | | | | | | | | | | | | | | | | | | | | | | | | | | | | | | | | | | | | | | | | | | | | | | | | | | | | | | | | | | | | | | | | | | | | | | | | | | | | | | | | | | | |
|---------------------------------------------------------------------------------------------------------------------------------------------------------------------------------------------------------------------------------------------------------------------------------------------------------------------------------------------------------------------------------------------------------------|-----------------------------------------------------------------------------------------------------------------------------------------------------------------------------------------------------------------------------------------------------------------------------------------------------------------------------------------------------------------------------------------------------------------------------------------------------------------------------------------------------------------------------------------------------------------------------------------------------------------------------------------------------------------------------------------------------------------------------------------------------------------------------------------------------------------------------------------------------------------------------------------------------------------------------------------------------------------------------------------------------------------------------------------------------------------------------------------------------------------------------------------------------------------------------------------------------------------------------------------------------------------------------------------------------------------------------------------------------------------------------------------------------------------------------------------------------------------------------------------------------------------------------------------------------------------------------------------------------------------------------------------------------------------------------------------------------------------------------------------------------------------------------------------------------------------------------------------------------------------------------------------------------------------------------------------------------------------------------------------------------------------------------------------------------------------------------------------------------------------------------------------------------------------------------------------------------------------------------------------------------------------------------------------------------------------------------------------------------------------------------------------------------------------------------------------------------------------------------------------------------------------------------------------------------------------------------------------------------------------------------------------------------------------------------------------------------------------------------------------------------------------------------------------------------------------------------------------------------------------------------------------------------------------------------------------------------------------------------------------------------------------------------------------------------------------------------------------------------------------------------------------------------------------------------------------------------------------------------------------------------------------------------------------------------------------------------------------------------------------------------------------------------------------------------------------------------------------------------------------------------------------------------------------------------------------------------------------------------------------------------------------------------------------------------------------------------------------------------------------------------------------------------------------------------------------------------------------------------------------------------------------------------------------------------------------------------------------------------------------------------------------------------------------------------------------------------------------------------------------------------------------------------------------------------------------------------------------------------------------------------------------------------------------------------------------------------------------------------------------------------------------------------------------------------------------------------------------------------------------------------------------------------------------------------------------------------------------------------------------------------------------------------------------------------------------------------------------------------------------------------------------------------------------------------------------------------------------------------------------------------------------------------------------------------------------------------------------------------------------------------------------------------------------------------------------------------------------------------------------------------------------------------------------------------------------------------------------------------------------------------------------------------------------------------------------------------------------------------------------------------------------------------------------------------------------------------------------------------------------------------------------------------------------------------------------------------------------------------------------------------------------------------------------------------------------------------------------------------------------------------------------------------------------------------------------------------------------------------------------------------------------------------------------------------------------------------------------------------------------------------------------------------------------------------------------------------------------------------------------------------------------------------------------------------------------------------------------------------------------------------------------------------------------------------------------------------------------------------------------------------------------------------------------------------------------------------------------------------------------------------------------------------------------------------------------------------------------------------------------------------------------------------------------------------------------------------------------------------------------------------------------------------------------------------------------------------------------------------------------------------------------------------------------------------------------------------------------------------------------------------|-----------|-------------------|---------------------------|-------|--|-----------|----|--------|----------|--|-----------|----|---------|---------------|--|-----------|------|--------|---------------|------------------------|-----------|----|--------|---------|--|----------|-----|--------|---------------|--------|-----------|----|--------|-----------------|--|----------|---|--------|---------|--|----------|---|--------|---------|--|----------|---|--------|----------------|--|----------|---|---------|----------|--|-----------|----|---------|----|--|-----------|------|---------|---------------|-----------|-----------|----|--------|-----------------|--|-----------|----|--------|--------------|--|-----------|----|--------|-----------------|--|----------|---|--------|--------------|--|-----------|----|--------|------|--|-----------|----|--------|---------|--|----------|---|--------|--------|--|----------|-----|--------|---------------|--------|----------|-----|--------|---------------|--------|----------|---|---------|--------------|--|----------|---|--------|----------|--|------------|----|---------|------|--|--------------|----|--------|-------|--|--------------|----|---------|------|--|--------------|----|--------|-----------|--|--------------|----|--------|--------------|--|--------------|----|---------|----------|--|--------------|----|---------|--------------|--|--------------|----|--------|-----------|--|--------------|----|---------|-----------------|--|--------------|----|---------|---------------|--|--------------|----|--------|------------|--|--------------|----|--------|--------|--|--------------|----|--------|-------------|--|--------------|----|--------|-----------|--|--------------|----|--------|----------------|--|--------------|----|--------|----------------|--|--------------|----|--------|-----------------|--|--------------|----|--------|------|--|--------------|----|---------|---------|--|--------------|----|--------|-----|--|--------------|----|--------|----------|--|--------------|----|--------|----------------|--|--------------|----|--------|-----------|--|--------------|----|--------|---------------|--|--------------|----|--------|-------------------|--|--------------|----|--------|------------|--|--------------|----|--------|---------------|--|--------------|----|--------|------------|--|--------------|----|---------|--------------|--|--------------|----|---------|-----------------|--|--------------|----|---------|-------|--|--------------|------|--------|------------|---------------------------|--------------|----|--------|----------------|--|--------------|----|--------|-----------------|--|--------------|----|--------|-----------------|--|--------------|----|--------|-----------------|--|--------------|----|--------|-----------------|--|--------------|----|--------|---------|--|--------------|----|--------|-------------|--|--------------|----|--------|-----------|--|--------------|----|--------|---------|--|--------------|----|--------|-----------|--|--------------|----|--------|--------|--|--------------|----|--------|---------------|--|--------------|----|--------|----------------|--|--------------|----|--------|----------------|--|--------------|----|--------|--------------|--|--------------|----|--------|-------------------|--|--------------|----|--------|-------|--|--------------|----|---------|-----------------|--|--------------|----|--------|--------|--|--------------|----|--------|------|--|--------------|----|--------|-------------|--|
| USPC D3/283, 284, 292, 294, 295, 296, 297,
D3/302, 315, 319, 900, 901, 903, 905,
D3/254, 256, 904, 329; 206/278, 579,
206/213, 315.1; D28/38, 83; D14/315;
D26/58; D27/180, 183, 186, 187, 189,
D27/191

CPC A45C 5/04; A45C 15/04; A45C 11/00;
A45C 11/008; A45C 11/16; A45C 11/24;
A63B 57/00; A63B 71/0036

See application file for complete search history. | <table style="width: 100%; border-collapse: collapse;"> <tr><td style="width: 15%;">8,714,355</td><td style="width: 15%;">B2</td><td style="width: 15%;">5/2014</td><td>Huang</td><td style="width: 45%;"></td></tr> <tr><td>8,813,960</td><td>B2</td><td>8/2014</td><td>Fjelland</td><td></td></tr> <tr><td>8,875,888</td><td>B2</td><td>11/2014</td><td>Koenig et al.</td><td></td></tr> <tr><td>8,979,100</td><td>B2 *</td><td>3/2015</td><td>Bensman</td><td>B62B 5/00
280/47.26</td></tr> <tr><td>8,985,922</td><td>B2</td><td>3/2015</td><td>Neumann</td><td></td></tr> <tr><td>D738,106</td><td>S *</td><td>9/2015</td><td>Shitrit</td><td>D3/276</td></tr> <tr><td>9,132,543</td><td>B2</td><td>9/2015</td><td>Bar-Erez et al.</td><td></td></tr> <tr><td>D753,394</td><td>S</td><td>4/2016</td><td>Brunner</td><td></td></tr> <tr><td>D753,395</td><td>S</td><td>4/2016</td><td>Brunner</td><td></td></tr> <tr><td>D765,974</td><td>S</td><td>9/2016</td><td>Tonelli et al.</td><td></td></tr> <tr><td>D770,179</td><td>S</td><td>11/2016</td><td>Meniromn</td><td></td></tr> <tr><td>9,506,489</td><td>B2</td><td>11/2016</td><td>Ko</td><td></td></tr> <tr><td>9,511,491</td><td>B2 *</td><td>12/2016</td><td>Brunner</td><td>B25H 3/02</td></tr> <tr><td>9,566,990</td><td>B2</td><td>2/2017</td><td>Bar-Erez et al.</td><td></td></tr> <tr><td>9,616,562</td><td>B2</td><td>4/2017</td><td>Hoppe et al.</td><td></td></tr> <tr><td>9,643,629</td><td>B2</td><td>5/2017</td><td>Bar-Erez et al.</td><td></td></tr> <tr><td>D790,221</td><td>S</td><td>6/2017</td><td>Yahav et al.</td><td></td></tr> <tr><td>9,701,443</td><td>B2</td><td>7/2017</td><td>Wang</td><td></td></tr> <tr><td>9,872,562</td><td>B2</td><td>1/2018</td><td>Brunner</td><td></td></tr> <tr><td>D814,187</td><td>S</td><td>4/2018</td><td>Caglar</td><td></td></tr> <tr><td>D816,334</td><td>S *</td><td>5/2018</td><td>Brunner</td><td>D3/273</td></tr> <tr><td>D826,510</td><td>S *</td><td>8/2018</td><td>Brunner</td><td>D34/24</td></tr> <tr><td>D833,744</td><td>S</td><td>11/2018</td><td>Yahav et al.</td><td></td></tr> <tr><td>D837,515</td><td>S</td><td>1/2019</td><td>Shpitzer</td><td></td></tr> <tr><td>10,434,638</td><td>B1</td><td>10/2019</td><td>Tsai</td><td></td></tr> <tr><td>2002/0000440</td><td>A1</td><td>1/2002</td><td>Sagol</td><td></td></tr> <tr><td>2002/0171228</td><td>A1</td><td>11/2002</td><td>Kady</td><td></td></tr> <tr><td>2003/0115715</td><td>A1</td><td>6/2003</td><td>Valentini</td><td></td></tr> <tr><td>2003/0146589</td><td>A1</td><td>8/2003</td><td>Jarko et al.</td><td></td></tr> <tr><td>2003/0184034</td><td>A1</td><td>10/2003</td><td>Pfeiffer</td><td></td></tr> <tr><td>2003/0205877</td><td>A1</td><td>11/2003</td><td>Verna et al.</td><td></td></tr> <tr><td>2004/0103494</td><td>A1</td><td>6/2004</td><td>Valentini</td><td></td></tr> <tr><td>2004/0195793</td><td>A1</td><td>10/2004</td><td>Sullivan et al.</td><td></td></tr> <tr><td>2004/0206656</td><td>A1</td><td>10/2004</td><td>Dubois et al.</td><td></td></tr> <tr><td>2005/0062244</td><td>A1</td><td>3/2005</td><td>Guirlinger</td><td></td></tr> <tr><td>2005/0104308</td><td>A1</td><td>5/2005</td><td>Barnes</td><td></td></tr> <tr><td>2005/0139745</td><td>A1</td><td>6/2005</td><td>Liao et al.</td><td></td></tr> <tr><td>2006/0006770</td><td>A1</td><td>1/2006</td><td>Valentini</td><td></td></tr> <tr><td>2006/0027475</td><td>A1</td><td>2/2006</td><td>Gleason et al.</td><td></td></tr> <tr><td>2006/0038367</td><td>A9</td><td>2/2006</td><td>Ferraro et al.</td><td></td></tr> <tr><td>2006/0119060</td><td>A1</td><td>6/2006</td><td>Sullivan et al.</td><td></td></tr> <tr><td>2006/0186624</td><td>A1</td><td>8/2006</td><td>Kady</td><td></td></tr> <tr><td>2006/0254946</td><td>A1</td><td>11/2006</td><td>Becklin</td><td></td></tr> <tr><td>2007/0068757</td><td>A1</td><td>3/2007</td><td>Tan</td><td></td></tr> <tr><td>2007/0090616</td><td>A1</td><td>4/2007</td><td>Tompkins</td><td></td></tr> <tr><td>2007/0145700</td><td>A1</td><td>6/2007</td><td>Ambrose et al.</td><td></td></tr> <tr><td>2007/0194543</td><td>A1</td><td>8/2007</td><td>Duvigneau</td><td></td></tr> <tr><td>2008/0104921</td><td>A1</td><td>5/2008</td><td>Pervan et al.</td><td></td></tr> <tr><td>2008/0115312</td><td>A1</td><td>5/2008</td><td>Dipasquale et al.</td><td></td></tr> <tr><td>2008/0121547</td><td>A1</td><td>5/2008</td><td>Dur et al.</td><td></td></tr> <tr><td>2008/0134607</td><td>A1</td><td>6/2008</td><td>Pervan et al.</td><td></td></tr> <tr><td>2008/0169739</td><td>A1</td><td>7/2008</td><td>Goldenberg</td><td></td></tr> <tr><td>2008/0271280</td><td>A1</td><td>11/2008</td><td>Tiede et al.</td><td></td></tr> <tr><td>2008/0277221</td><td>A1</td><td>11/2008</td><td>Josefson et al.</td><td></td></tr> <tr><td>2008/0308369</td><td>A1</td><td>12/2008</td><td>Louis</td><td></td></tr> <tr><td>2009/0026901</td><td>A1 *</td><td>1/2009</td><td>Nies</td><td>A61G 12/004
312/249.11</td></tr> <tr><td>2009/0071990</td><td>A1</td><td>3/2009</td><td>Jardine et al.</td><td></td></tr> <tr><td>2009/0145790</td><td>A1</td><td>6/2009</td><td>Panosian et al.</td><td></td></tr> <tr><td>2009/0145866</td><td>A1</td><td>6/2009</td><td>Panosian et al.</td><td></td></tr> <tr><td>2009/0145913</td><td>A1</td><td>6/2009</td><td>Panosian et al.</td><td></td></tr> <tr><td>2009/0178946</td><td>A1</td><td>7/2009</td><td>Patstone et al.</td><td></td></tr> <tr><td>2010/0052276</td><td>A1</td><td>3/2010</td><td>Brunner</td><td></td></tr> <tr><td>2010/0139566</td><td>A1</td><td>6/2010</td><td>Lopuszanski</td><td></td></tr> <tr><td>2010/0147642</td><td>A1</td><td>6/2010</td><td>Andochick</td><td></td></tr> <tr><td>2010/0219193</td><td>A1</td><td>9/2010</td><td>Becklin</td><td></td></tr> <tr><td>2011/0073516</td><td>A1</td><td>3/2011</td><td>Zelinskiy</td><td></td></tr> <tr><td>2011/0139665</td><td>A1</td><td>6/2011</td><td>Madsen</td><td></td></tr> <tr><td>2011/0155613</td><td>A1</td><td>6/2011</td><td>Koenig et al.</td><td></td></tr> <tr><td>2011/0181008</td><td>A1</td><td>7/2011</td><td>Bensman et al.</td><td></td></tr> <tr><td>2011/0220531</td><td>A1</td><td>9/2011</td><td>Meether et al.</td><td></td></tr> <tr><td>2012/0160886</td><td>A1</td><td>6/2012</td><td>Henny et al.</td><td></td></tr> <tr><td>2012/0180250</td><td>A1</td><td>7/2012</td><td>Ricklefsen et al.</td><td></td></tr> <tr><td>2012/0207571</td><td>A1</td><td>8/2012</td><td>Scott</td><td></td></tr> <tr><td>2012/0326406</td><td>A1</td><td>12/2012</td><td>Lifshitz et al.</td><td></td></tr> <tr><td>2013/0024468</td><td>A1</td><td>1/2013</td><td>Kocsis</td><td></td></tr> <tr><td>2013/0031731</td><td>A1</td><td>2/2013</td><td>Hess</td><td></td></tr> <tr><td>2013/0031732</td><td>A1</td><td>2/2013</td><td>Hess et al.</td><td></td></tr> </table> | 8,714,355 | B2 | 5/2014 | Huang | | 8,813,960 | B2 | 8/2014 | Fjelland | | 8,875,888 | B2 | 11/2014 | Koenig et al. | | 8,979,100 | B2 * | 3/2015 | Bensman | B62B 5/00
280/47.26 | 8,985,922 | B2 | 3/2015 | Neumann | | D738,106 | S * | 9/2015 | Shitrit | D3/276 | 9,132,543 | B2 | 9/2015 | Bar-Erez et al. | | D753,394 | S | 4/2016 | Brunner | | D753,395 | S | 4/2016 | Brunner | | D765,974 | S | 9/2016 | Tonelli et al. | | D770,179 | S | 11/2016 | Meniromn | | 9,506,489 | B2 | 11/2016 | Ko | | 9,511,491 | B2 * | 12/2016 | Brunner | B25H 3/02 | 9,566,990 | B2 | 2/2017 | Bar-Erez et al. | | 9,616,562 | B2 | 4/2017 | Hoppe et al. | | 9,643,629 | B2 | 5/2017 | Bar-Erez et al. | | D790,221 | S | 6/2017 | Yahav et al. | | 9,701,443 | B2 | 7/2017 | Wang | | 9,872,562 | B2 | 1/2018 | Brunner | | D814,187 | S | 4/2018 | Caglar | | D816,334 | S * | 5/2018 | Brunner | D3/273 | D826,510 | S * | 8/2018 | Brunner | D34/24 | D833,744 | S | 11/2018 | Yahav et al. | | D837,515 | S | 1/2019 | Shpitzer | | 10,434,638 | B1 | 10/2019 | Tsai | | 2002/0000440 | A1 | 1/2002 | Sagol | | 2002/0171228 | A1 | 11/2002 | Kady | | 2003/0115715 | A1 | 6/2003 | Valentini | | 2003/0146589 | A1 | 8/2003 | Jarko et al. | | 2003/0184034 | A1 | 10/2003 | Pfeiffer | | 2003/0205877 | A1 | 11/2003 | Verna et al. | | 2004/0103494 | A1 | 6/2004 | Valentini | | 2004/0195793 | A1 | 10/2004 | Sullivan et al. | | 2004/0206656 | A1 | 10/2004 | Dubois et al. | | 2005/0062244 | A1 | 3/2005 | Guirlinger | | 2005/0104308 | A1 | 5/2005 | Barnes | | 2005/0139745 | A1 | 6/2005 | Liao et al. | | 2006/0006770 | A1 | 1/2006 | Valentini | | 2006/0027475 | A1 | 2/2006 | Gleason et al. | | 2006/0038367 | A9 | 2/2006 | Ferraro et al. | | 2006/0119060 | A1 | 6/2006 | Sullivan et al. | | 2006/0186624 | A1 | 8/2006 | Kady | | 2006/0254946 | A1 | 11/2006 | Becklin | | 2007/0068757 | A1 | 3/2007 | Tan | | 2007/0090616 | A1 | 4/2007 | Tompkins | | 2007/0145700 | A1 | 6/2007 | Ambrose et al. | | 2007/0194543 | A1 | 8/2007 | Duvigneau | | 2008/0104921 | A1 | 5/2008 | Pervan et al. | | 2008/0115312 | A1 | 5/2008 | Dipasquale et al. | | 2008/0121547 | A1 | 5/2008 | Dur et al. | | 2008/0134607 | A1 | 6/2008 | Pervan et al. | | 2008/0169739 | A1 | 7/2008 | Goldenberg | | 2008/0271280 | A1 | 11/2008 | Tiede et al. | | 2008/0277221 | A1 | 11/2008 | Josefson et al. | | 2008/0308369 | A1 | 12/2008 | Louis | | 2009/0026901 | A1 * | 1/2009 | Nies | A61G 12/004
312/249.11 | 2009/0071990 | A1 | 3/2009 | Jardine et al. | | 2009/0145790 | A1 | 6/2009 | Panosian et al. | | 2009/0145866 | A1 | 6/2009 | Panosian et al. | | 2009/0145913 | A1 | 6/2009 | Panosian et al. | | 2009/0178946 | A1 | 7/2009 | Patstone et al. | | 2010/0052276 | A1 | 3/2010 | Brunner | | 2010/0139566 | A1 | 6/2010 | Lopuszanski | | 2010/0147642 | A1 | 6/2010 | Andochick | | 2010/0219193 | A1 | 9/2010 | Becklin | | 2011/0073516 | A1 | 3/2011 | Zelinskiy | | 2011/0139665 | A1 | 6/2011 | Madsen | | 2011/0155613 | A1 | 6/2011 | Koenig et al. | | 2011/0181008 | A1 | 7/2011 | Bensman et al. | | 2011/0220531 | A1 | 9/2011 | Meether et al. | | 2012/0160886 | A1 | 6/2012 | Henny et al. | | 2012/0180250 | A1 | 7/2012 | Ricklefsen et al. | | 2012/0207571 | A1 | 8/2012 | Scott | | 2012/0326406 | A1 | 12/2012 | Lifshitz et al. | | 2013/0024468 | A1 | 1/2013 | Kocsis | | 2013/0031731 | A1 | 2/2013 | Hess | | 2013/0031732 | A1 | 2/2013 | Hess et al. | |
| 8,714,355 | B2 | 5/2014 | Huang | | | | | | | | | | | | | | | | | | | | | | | | | | | | | | | | | | | | | | | | | | | | | | | | | | | | | | | | | | | | | | | | | | | | | | | | | | | | | | | | | | | | | | | | | | | | | | | | | | | | | | | | | | | | | | | | | | | | | | | | | | | | | | | | | | | | | | | | | | | | | | | | | | | | | | | | | | | | | | | | | | | | | | | | | | | | | | | | | | | | | | | | | | | | | | | | | | | | | | | | | | | | | | | | | | | | | | | | | | | | | | | | | | | | | | | | | | | | | | | | | | | | | | | | | | | | | | | | | | | | | | | | | | | | | | | | | | | | | | | | | | | | | | | | | | | | | | | | | | | | | | | | | | | | | | | | | | | | | | | | | | | | | | | | | | | | | | | | | | | | | | | | | | | | | | | | | | | | | | | | | | | | | | | | | | | | | | | | | | | | | | | |
| 8,813,960 | B2 | 8/2014 | Fjelland | | | | | | | | | | | | | | | | | | | | | | | | | | | | | | | | | | | | | | | | | | | | | | | | | | | | | | | | | | | | | | | | | | | | | | | | | | | | | | | | | | | | | | | | | | | | | | | | | | | | | | | | | | | | | | | | | | | | | | | | | | | | | | | | | | | | | | | | | | | | | | | | | | | | | | | | | | | | | | | | | | | | | | | | | | | | | | | | | | | | | | | | | | | | | | | | | | | | | | | | | | | | | | | | | | | | | | | | | | | | | | | | | | | | | | | | | | | | | | | | | | | | | | | | | | | | | | | | | | | | | | | | | | | | | | | | | | | | | | | | | | | | | | | | | | | | | | | | | | | | | | | | | | | | | | | | | | | | | | | | | | | | | | | | | | | | | | | | | | | | | | | | | | | | | | | | | | | | | | | | | | | | | | | | | | | | | | | | | | | | | | | |
| 8,875,888 | B2 | 11/2014 | Koenig et al. | | | | | | | | | | | | | | | | | | | | | | | | | | | | | | | | | | | | | | | | | | | | | | | | | | | | | | | | | | | | | | | | | | | | | | | | | | | | | | | | | | | | | | | | | | | | | | | | | | | | | | | | | | | | | | | | | | | | | | | | | | | | | | | | | | | | | | | | | | | | | | | | | | | | | | | | | | | | | | | | | | | | | | | | | | | | | | | | | | | | | | | | | | | | | | | | | | | | | | | | | | | | | | | | | | | | | | | | | | | | | | | | | | | | | | | | | | | | | | | | | | | | | | | | | | | | | | | | | | | | | | | | | | | | | | | | | | | | | | | | | | | | | | | | | | | | | | | | | | | | | | | | | | | | | | | | | | | | | | | | | | | | | | | | | | | | | | | | | | | | | | | | | | | | | | | | | | | | | | | | | | | | | | | | | | | | | | | | | | | | | | | |
| 8,979,100 | B2 * | 3/2015 | Bensman | B62B 5/00
280/47.26 | | | | | | | | | | | | | | | | | | | | | | | | | | | | | | | | | | | | | | | | | | | | | | | | | | | | | | | | | | | | | | | | | | | | | | | | | | | | | | | | | | | | | | | | | | | | | | | | | | | | | | | | | | | | | | | | | | | | | | | | | | | | | | | | | | | | | | | | | | | | | | | | | | | | | | | | | | | | | | | | | | | | | | | | | | | | | | | | | | | | | | | | | | | | | | | | | | | | | | | | | | | | | | | | | | | | | | | | | | | | | | | | | | | | | | | | | | | | | | | | | | | | | | | | | | | | | | | | | | | | | | | | | | | | | | | | | | | | | | | | | | | | | | | | | | | | | | | | | | | | | | | | | | | | | | | | | | | | | | | | | | | | | | | | | | | | | | | | | | | | | | | | | | | | | | | | | | | | | | | | | | | | | | | | | | | | | | | | | | | | | | |
| 8,985,922 | B2 | 3/2015 | Neumann | | | | | | | | | | | | | | | | | | | | | | | | | | | | | | | | | | | | | | | | | | | | | | | | | | | | | | | | | | | | | | | | | | | | | | | | | | | | | | | | | | | | | | | | | | | | | | | | | | | | | | | | | | | | | | | | | | | | | | | | | | | | | | | | | | | | | | | | | | | | | | | | | | | | | | | | | | | | | | | | | | | | | | | | | | | | | | | | | | | | | | | | | | | | | | | | | | | | | | | | | | | | | | | | | | | | | | | | | | | | | | | | | | | | | | | | | | | | | | | | | | | | | | | | | | | | | | | | | | | | | | | | | | | | | | | | | | | | | | | | | | | | | | | | | | | | | | | | | | | | | | | | | | | | | | | | | | | | | | | | | | | | | | | | | | | | | | | | | | | | | | | | | | | | | | | | | | | | | | | | | | | | | | | | | | | | | | | | | | | | | | | |
| D738,106 | S * | 9/2015 | Shitrit | D3/276 | | | | | | | | | | | | | | | | | | | | | | | | | | | | | | | | | | | | | | | | | | | | | | | | | | | | | | | | | | | | | | | | | | | | | | | | | | | | | | | | | | | | | | | | | | | | | | | | | | | | | | | | | | | | | | | | | | | | | | | | | | | | | | | | | | | | | | | | | | | | | | | | | | | | | | | | | | | | | | | | | | | | | | | | | | | | | | | | | | | | | | | | | | | | | | | | | | | | | | | | | | | | | | | | | | | | | | | | | | | | | | | | | | | | | | | | | | | | | | | | | | | | | | | | | | | | | | | | | | | | | | | | | | | | | | | | | | | | | | | | | | | | | | | | | | | | | | | | | | | | | | | | | | | | | | | | | | | | | | | | | | | | | | | | | | | | | | | | | | | | | | | | | | | | | | | | | | | | | | | | | | | | | | | | | | | | | | | | | | | | | | |
| 9,132,543 | B2 | 9/2015 | Bar-Erez et al. | | | | | | | | | | | | | | | | | | | | | | | | | | | | | | | | | | | | | | | | | | | | | | | | | | | | | | | | | | | | | | | | | | | | | | | | | | | | | | | | | | | | | | | | | | | | | | | | | | | | | | | | | | | | | | | | | | | | | | | | | | | | | | | | | | | | | | | | | | | | | | | | | | | | | | | | | | | | | | | | | | | | | | | | | | | | | | | | | | | | | | | | | | | | | | | | | | | | | | | | | | | | | | | | | | | | | | | | | | | | | | | | | | | | | | | | | | | | | | | | | | | | | | | | | | | | | | | | | | | | | | | | | | | | | | | | | | | | | | | | | | | | | | | | | | | | | | | | | | | | | | | | | | | | | | | | | | | | | | | | | | | | | | | | | | | | | | | | | | | | | | | | | | | | | | | | | | | | | | | | | | | | | | | | | | | | | | | | | | | | | | | |
| D753,394 | S | 4/2016 | Brunner | | | | | | | | | | | | | | | | | | | | | | | | | | | | | | | | | | | | | | | | | | | | | | | | | | | | | | | | | | | | | | | | | | | | | | | | | | | | | | | | | | | | | | | | | | | | | | | | | | | | | | | | | | | | | | | | | | | | | | | | | | | | | | | | | | | | | | | | | | | | | | | | | | | | | | | | | | | | | | | | | | | | | | | | | | | | | | | | | | | | | | | | | | | | | | | | | | | | | | | | | | | | | | | | | | | | | | | | | | | | | | | | | | | | | | | | | | | | | | | | | | | | | | | | | | | | | | | | | | | | | | | | | | | | | | | | | | | | | | | | | | | | | | | | | | | | | | | | | | | | | | | | | | | | | | | | | | | | | | | | | | | | | | | | | | | | | | | | | | | | | | | | | | | | | | | | | | | | | | | | | | | | | | | | | | | | | | | | | | | | | | | |
| D753,395 | S | 4/2016 | Brunner | | | | | | | | | | | | | | | | | | | | | | | | | | | | | | | | | | | | | | | | | | | | | | | | | | | | | | | | | | | | | | | | | | | | | | | | | | | | | | | | | | | | | | | | | | | | | | | | | | | | | | | | | | | | | | | | | | | | | | | | | | | | | | | | | | | | | | | | | | | | | | | | | | | | | | | | | | | | | | | | | | | | | | | | | | | | | | | | | | | | | | | | | | | | | | | | | | | | | | | | | | | | | | | | | | | | | | | | | | | | | | | | | | | | | | | | | | | | | | | | | | | | | | | | | | | | | | | | | | | | | | | | | | | | | | | | | | | | | | | | | | | | | | | | | | | | | | | | | | | | | | | | | | | | | | | | | | | | | | | | | | | | | | | | | | | | | | | | | | | | | | | | | | | | | | | | | | | | | | | | | | | | | | | | | | | | | | | | | | | | | | | |
| D765,974 | S | 9/2016 | Tonelli et al. | | | | | | | | | | | | | | | | | | | | | | | | | | | | | | | | | | | | | | | | | | | | | | | | | | | | | | | | | | | | | | | | | | | | | | | | | | | | | | | | | | | | | | | | | | | | | | | | | | | | | | | | | | | | | | | | | | | | | | | | | | | | | | | | | | | | | | | | | | | | | | | | | | | | | | | | | | | | | | | | | | | | | | | | | | | | | | | | | | | | | | | | | | | | | | | | | | | | | | | | | | | | | | | | | | | | | | | | | | | | | | | | | | | | | | | | | | | | | | | | | | | | | | | | | | | | | | | | | | | | | | | | | | | | | | | | | | | | | | | | | | | | | | | | | | | | | | | | | | | | | | | | | | | | | | | | | | | | | | | | | | | | | | | | | | | | | | | | | | | | | | | | | | | | | | | | | | | | | | | | | | | | | | | | | | | | | | | | | | | | | | | |
| D770,179 | S | 11/2016 | Meniromn | | | | | | | | | | | | | | | | | | | | | | | | | | | | | | | | | | | | | | | | | | | | | | | | | | | | | | | | | | | | | | | | | | | | | | | | | | | | | | | | | | | | | | | | | | | | | | | | | | | | | | | | | | | | | | | | | | | | | | | | | | | | | | | | | | | | | | | | | | | | | | | | | | | | | | | | | | | | | | | | | | | | | | | | | | | | | | | | | | | | | | | | | | | | | | | | | | | | | | | | | | | | | | | | | | | | | | | | | | | | | | | | | | | | | | | | | | | | | | | | | | | | | | | | | | | | | | | | | | | | | | | | | | | | | | | | | | | | | | | | | | | | | | | | | | | | | | | | | | | | | | | | | | | | | | | | | | | | | | | | | | | | | | | | | | | | | | | | | | | | | | | | | | | | | | | | | | | | | | | | | | | | | | | | | | | | | | | | | | | | | | | |
| 9,506,489 | B2 | 11/2016 | Ko | | | | | | | | | | | | | | | | | | | | | | | | | | | | | | | | | | | | | | | | | | | | | | | | | | | | | | | | | | | | | | | | | | | | | | | | | | | | | | | | | | | | | | | | | | | | | | | | | | | | | | | | | | | | | | | | | | | | | | | | | | | | | | | | | | | | | | | | | | | | | | | | | | | | | | | | | | | | | | | | | | | | | | | | | | | | | | | | | | | | | | | | | | | | | | | | | | | | | | | | | | | | | | | | | | | | | | | | | | | | | | | | | | | | | | | | | | | | | | | | | | | | | | | | | | | | | | | | | | | | | | | | | | | | | | | | | | | | | | | | | | | | | | | | | | | | | | | | | | | | | | | | | | | | | | | | | | | | | | | | | | | | | | | | | | | | | | | | | | | | | | | | | | | | | | | | | | | | | | | | | | | | | | | | | | | | | | | | | | | | | | | |
| 9,511,491 | B2 * | 12/2016 | Brunner | B25H 3/02 | | | | | | | | | | | | | | | | | | | | | | | | | | | | | | | | | | | | | | | | | | | | | | | | | | | | | | | | | | | | | | | | | | | | | | | | | | | | | | | | | | | | | | | | | | | | | | | | | | | | | | | | | | | | | | | | | | | | | | | | | | | | | | | | | | | | | | | | | | | | | | | | | | | | | | | | | | | | | | | | | | | | | | | | | | | | | | | | | | | | | | | | | | | | | | | | | | | | | | | | | | | | | | | | | | | | | | | | | | | | | | | | | | | | | | | | | | | | | | | | | | | | | | | | | | | | | | | | | | | | | | | | | | | | | | | | | | | | | | | | | | | | | | | | | | | | | | | | | | | | | | | | | | | | | | | | | | | | | | | | | | | | | | | | | | | | | | | | | | | | | | | | | | | | | | | | | | | | | | | | | | | | | | | | | | | | | | | | | | | | | | |
| 9,566,990 | B2 | 2/2017 | Bar-Erez et al. | | | | | | | | | | | | | | | | | | | | | | | | | | | | | | | | | | | | | | | | | | | | | | | | | | | | | | | | | | | | | | | | | | | | | | | | | | | | | | | | | | | | | | | | | | | | | | | | | | | | | | | | | | | | | | | | | | | | | | | | | | | | | | | | | | | | | | | | | | | | | | | | | | | | | | | | | | | | | | | | | | | | | | | | | | | | | | | | | | | | | | | | | | | | | | | | | | | | | | | | | | | | | | | | | | | | | | | | | | | | | | | | | | | | | | | | | | | | | | | | | | | | | | | | | | | | | | | | | | | | | | | | | | | | | | | | | | | | | | | | | | | | | | | | | | | | | | | | | | | | | | | | | | | | | | | | | | | | | | | | | | | | | | | | | | | | | | | | | | | | | | | | | | | | | | | | | | | | | | | | | | | | | | | | | | | | | | | | | | | | | | | |
| 9,616,562 | B2 | 4/2017 | Hoppe et al. | | | | | | | | | | | | | | | | | | | | | | | | | | | | | | | | | | | | | | | | | | | | | | | | | | | | | | | | | | | | | | | | | | | | | | | | | | | | | | | | | | | | | | | | | | | | | | | | | | | | | | | | | | | | | | | | | | | | | | | | | | | | | | | | | | | | | | | | | | | | | | | | | | | | | | | | | | | | | | | | | | | | | | | | | | | | | | | | | | | | | | | | | | | | | | | | | | | | | | | | | | | | | | | | | | | | | | | | | | | | | | | | | | | | | | | | | | | | | | | | | | | | | | | | | | | | | | | | | | | | | | | | | | | | | | | | | | | | | | | | | | | | | | | | | | | | | | | | | | | | | | | | | | | | | | | | | | | | | | | | | | | | | | | | | | | | | | | | | | | | | | | | | | | | | | | | | | | | | | | | | | | | | | | | | | | | | | | | | | | | | | | |
| 9,643,629 | B2 | 5/2017 | Bar-Erez et al. | | | | | | | | | | | | | | | | | | | | | | | | | | | | | | | | | | | | | | | | | | | | | | | | | | | | | | | | | | | | | | | | | | | | | | | | | | | | | | | | | | | | | | | | | | | | | | | | | | | | | | | | | | | | | | | | | | | | | | | | | | | | | | | | | | | | | | | | | | | | | | | | | | | | | | | | | | | | | | | | | | | | | | | | | | | | | | | | | | | | | | | | | | | | | | | | | | | | | | | | | | | | | | | | | | | | | | | | | | | | | | | | | | | | | | | | | | | | | | | | | | | | | | | | | | | | | | | | | | | | | | | | | | | | | | | | | | | | | | | | | | | | | | | | | | | | | | | | | | | | | | | | | | | | | | | | | | | | | | | | | | | | | | | | | | | | | | | | | | | | | | | | | | | | | | | | | | | | | | | | | | | | | | | | | | | | | | | | | | | | | | | |
| D790,221 | S | 6/2017 | Yahav et al. | | | | | | | | | | | | | | | | | | | | | | | | | | | | | | | | | | | | | | | | | | | | | | | | | | | | | | | | | | | | | | | | | | | | | | | | | | | | | | | | | | | | | | | | | | | | | | | | | | | | | | | | | | | | | | | | | | | | | | | | | | | | | | | | | | | | | | | | | | | | | | | | | | | | | | | | | | | | | | | | | | | | | | | | | | | | | | | | | | | | | | | | | | | | | | | | | | | | | | | | | | | | | | | | | | | | | | | | | | | | | | | | | | | | | | | | | | | | | | | | | | | | | | | | | | | | | | | | | | | | | | | | | | | | | | | | | | | | | | | | | | | | | | | | | | | | | | | | | | | | | | | | | | | | | | | | | | | | | | | | | | | | | | | | | | | | | | | | | | | | | | | | | | | | | | | | | | | | | | | | | | | | | | | | | | | | | | | | | | | | | | | |
| 9,701,443 | B2 | 7/2017 | Wang | | | | | | | | | | | | | | | | | | | | | | | | | | | | | | | | | | | | | | | | | | | | | | | | | | | | | | | | | | | | | | | | | | | | | | | | | | | | | | | | | | | | | | | | | | | | | | | | | | | | | | | | | | | | | | | | | | | | | | | | | | | | | | | | | | | | | | | | | | | | | | | | | | | | | | | | | | | | | | | | | | | | | | | | | | | | | | | | | | | | | | | | | | | | | | | | | | | | | | | | | | | | | | | | | | | | | | | | | | | | | | | | | | | | | | | | | | | | | | | | | | | | | | | | | | | | | | | | | | | | | | | | | | | | | | | | | | | | | | | | | | | | | | | | | | | | | | | | | | | | | | | | | | | | | | | | | | | | | | | | | | | | | | | | | | | | | | | | | | | | | | | | | | | | | | | | | | | | | | | | | | | | | | | | | | | | | | | | | | | | | | | |
| 9,872,562 | B2 | 1/2018 | Brunner | | | | | | | | | | | | | | | | | | | | | | | | | | | | | | | | | | | | | | | | | | | | | | | | | | | | | | | | | | | | | | | | | | | | | | | | | | | | | | | | | | | | | | | | | | | | | | | | | | | | | | | | | | | | | | | | | | | | | | | | | | | | | | | | | | | | | | | | | | | | | | | | | | | | | | | | | | | | | | | | | | | | | | | | | | | | | | | | | | | | | | | | | | | | | | | | | | | | | | | | | | | | | | | | | | | | | | | | | | | | | | | | | | | | | | | | | | | | | | | | | | | | | | | | | | | | | | | | | | | | | | | | | | | | | | | | | | | | | | | | | | | | | | | | | | | | | | | | | | | | | | | | | | | | | | | | | | | | | | | | | | | | | | | | | | | | | | | | | | | | | | | | | | | | | | | | | | | | | | | | | | | | | | | | | | | | | | | | | | | | | | | |
| D814,187 | S | 4/2018 | Caglar | | | | | | | | | | | | | | | | | | | | | | | | | | | | | | | | | | | | | | | | | | | | | | | | | | | | | | | | | | | | | | | | | | | | | | | | | | | | | | | | | | | | | | | | | | | | | | | | | | | | | | | | | | | | | | | | | | | | | | | | | | | | | | | | | | | | | | | | | | | | | | | | | | | | | | | | | | | | | | | | | | | | | | | | | | | | | | | | | | | | | | | | | | | | | | | | | | | | | | | | | | | | | | | | | | | | | | | | | | | | | | | | | | | | | | | | | | | | | | | | | | | | | | | | | | | | | | | | | | | | | | | | | | | | | | | | | | | | | | | | | | | | | | | | | | | | | | | | | | | | | | | | | | | | | | | | | | | | | | | | | | | | | | | | | | | | | | | | | | | | | | | | | | | | | | | | | | | | | | | | | | | | | | | | | | | | | | | | | | | | | | | |
| D816,334 | S * | 5/2018 | Brunner | D3/273 | | | | | | | | | | | | | | | | | | | | | | | | | | | | | | | | | | | | | | | | | | | | | | | | | | | | | | | | | | | | | | | | | | | | | | | | | | | | | | | | | | | | | | | | | | | | | | | | | | | | | | | | | | | | | | | | | | | | | | | | | | | | | | | | | | | | | | | | | | | | | | | | | | | | | | | | | | | | | | | | | | | | | | | | | | | | | | | | | | | | | | | | | | | | | | | | | | | | | | | | | | | | | | | | | | | | | | | | | | | | | | | | | | | | | | | | | | | | | | | | | | | | | | | | | | | | | | | | | | | | | | | | | | | | | | | | | | | | | | | | | | | | | | | | | | | | | | | | | | | | | | | | | | | | | | | | | | | | | | | | | | | | | | | | | | | | | | | | | | | | | | | | | | | | | | | | | | | | | | | | | | | | | | | | | | | | | | | | | | | | | | |
| D826,510 | S * | 8/2018 | Brunner | D34/24 | | | | | | | | | | | | | | | | | | | | | | | | | | | | | | | | | | | | | | | | | | | | | | | | | | | | | | | | | | | | | | | | | | | | | | | | | | | | | | | | | | | | | | | | | | | | | | | | | | | | | | | | | | | | | | | | | | | | | | | | | | | | | | | | | | | | | | | | | | | | | | | | | | | | | | | | | | | | | | | | | | | | | | | | | | | | | | | | | | | | | | | | | | | | | | | | | | | | | | | | | | | | | | | | | | | | | | | | | | | | | | | | | | | | | | | | | | | | | | | | | | | | | | | | | | | | | | | | | | | | | | | | | | | | | | | | | | | | | | | | | | | | | | | | | | | | | | | | | | | | | | | | | | | | | | | | | | | | | | | | | | | | | | | | | | | | | | | | | | | | | | | | | | | | | | | | | | | | | | | | | | | | | | | | | | | | | | | | | | | | | | |
| D833,744 | S | 11/2018 | Yahav et al. | | | | | | | | | | | | | | | | | | | | | | | | | | | | | | | | | | | | | | | | | | | | | | | | | | | | | | | | | | | | | | | | | | | | | | | | | | | | | | | | | | | | | | | | | | | | | | | | | | | | | | | | | | | | | | | | | | | | | | | | | | | | | | | | | | | | | | | | | | | | | | | | | | | | | | | | | | | | | | | | | | | | | | | | | | | | | | | | | | | | | | | | | | | | | | | | | | | | | | | | | | | | | | | | | | | | | | | | | | | | | | | | | | | | | | | | | | | | | | | | | | | | | | | | | | | | | | | | | | | | | | | | | | | | | | | | | | | | | | | | | | | | | | | | | | | | | | | | | | | | | | | | | | | | | | | | | | | | | | | | | | | | | | | | | | | | | | | | | | | | | | | | | | | | | | | | | | | | | | | | | | | | | | | | | | | | | | | | | | | | | | | |
| D837,515 | S | 1/2019 | Shpitzer | | | | | | | | | | | | | | | | | | | | | | | | | | | | | | | | | | | | | | | | | | | | | | | | | | | | | | | | | | | | | | | | | | | | | | | | | | | | | | | | | | | | | | | | | | | | | | | | | | | | | | | | | | | | | | | | | | | | | | | | | | | | | | | | | | | | | | | | | | | | | | | | | | | | | | | | | | | | | | | | | | | | | | | | | | | | | | | | | | | | | | | | | | | | | | | | | | | | | | | | | | | | | | | | | | | | | | | | | | | | | | | | | | | | | | | | | | | | | | | | | | | | | | | | | | | | | | | | | | | | | | | | | | | | | | | | | | | | | | | | | | | | | | | | | | | | | | | | | | | | | | | | | | | | | | | | | | | | | | | | | | | | | | | | | | | | | | | | | | | | | | | | | | | | | | | | | | | | | | | | | | | | | | | | | | | | | | | | | | | | | | | |
| 10,434,638 | B1 | 10/2019 | Tsai | | | | | | | | | | | | | | | | | | | | | | | | | | | | | | | | | | | | | | | | | | | | | | | | | | | | | | | | | | | | | | | | | | | | | | | | | | | | | | | | | | | | | | | | | | | | | | | | | | | | | | | | | | | | | | | | | | | | | | | | | | | | | | | | | | | | | | | | | | | | | | | | | | | | | | | | | | | | | | | | | | | | | | | | | | | | | | | | | | | | | | | | | | | | | | | | | | | | | | | | | | | | | | | | | | | | | | | | | | | | | | | | | | | | | | | | | | | | | | | | | | | | | | | | | | | | | | | | | | | | | | | | | | | | | | | | | | | | | | | | | | | | | | | | | | | | | | | | | | | | | | | | | | | | | | | | | | | | | | | | | | | | | | | | | | | | | | | | | | | | | | | | | | | | | | | | | | | | | | | | | | | | | | | | | | | | | | | | | | | | | | | |
| 2002/0000440 | A1 | 1/2002 | Sagol | | | | | | | | | | | | | | | | | | | | | | | | | | | | | | | | | | | | | | | | | | | | | | | | | | | | | | | | | | | | | | | | | | | | | | | | | | | | | | | | | | | | | | | | | | | | | | | | | | | | | | | | | | | | | | | | | | | | | | | | | | | | | | | | | | | | | | | | | | | | | | | | | | | | | | | | | | | | | | | | | | | | | | | | | | | | | | | | | | | | | | | | | | | | | | | | | | | | | | | | | | | | | | | | | | | | | | | | | | | | | | | | | | | | | | | | | | | | | | | | | | | | | | | | | | | | | | | | | | | | | | | | | | | | | | | | | | | | | | | | | | | | | | | | | | | | | | | | | | | | | | | | | | | | | | | | | | | | | | | | | | | | | | | | | | | | | | | | | | | | | | | | | | | | | | | | | | | | | | | | | | | | | | | | | | | | | | | | | | | | | | | |
| 2002/0171228 | A1 | 11/2002 | Kady | | | | | | | | | | | | | | | | | | | | | | | | | | | | | | | | | | | | | | | | | | | | | | | | | | | | | | | | | | | | | | | | | | | | | | | | | | | | | | | | | | | | | | | | | | | | | | | | | | | | | | | | | | | | | | | | | | | | | | | | | | | | | | | | | | | | | | | | | | | | | | | | | | | | | | | | | | | | | | | | | | | | | | | | | | | | | | | | | | | | | | | | | | | | | | | | | | | | | | | | | | | | | | | | | | | | | | | | | | | | | | | | | | | | | | | | | | | | | | | | | | | | | | | | | | | | | | | | | | | | | | | | | | | | | | | | | | | | | | | | | | | | | | | | | | | | | | | | | | | | | | | | | | | | | | | | | | | | | | | | | | | | | | | | | | | | | | | | | | | | | | | | | | | | | | | | | | | | | | | | | | | | | | | | | | | | | | | | | | | | | | | |
| 2003/0115715 | A1 | 6/2003 | Valentini | | | | | | | | | | | | | | | | | | | | | | | | | | | | | | | | | | | | | | | | | | | | | | | | | | | | | | | | | | | | | | | | | | | | | | | | | | | | | | | | | | | | | | | | | | | | | | | | | | | | | | | | | | | | | | | | | | | | | | | | | | | | | | | | | | | | | | | | | | | | | | | | | | | | | | | | | | | | | | | | | | | | | | | | | | | | | | | | | | | | | | | | | | | | | | | | | | | | | | | | | | | | | | | | | | | | | | | | | | | | | | | | | | | | | | | | | | | | | | | | | | | | | | | | | | | | | | | | | | | | | | | | | | | | | | | | | | | | | | | | | | | | | | | | | | | | | | | | | | | | | | | | | | | | | | | | | | | | | | | | | | | | | | | | | | | | | | | | | | | | | | | | | | | | | | | | | | | | | | | | | | | | | | | | | | | | | | | | | | | | | | | |
| 2003/0146589 | A1 | 8/2003 | Jarko et al. | | | | | | | | | | | | | | | | | | | | | | | | | | | | | | | | | | | | | | | | | | | | | | | | | | | | | | | | | | | | | | | | | | | | | | | | | | | | | | | | | | | | | | | | | | | | | | | | | | | | | | | | | | | | | | | | | | | | | | | | | | | | | | | | | | | | | | | | | | | | | | | | | | | | | | | | | | | | | | | | | | | | | | | | | | | | | | | | | | | | | | | | | | | | | | | | | | | | | | | | | | | | | | | | | | | | | | | | | | | | | | | | | | | | | | | | | | | | | | | | | | | | | | | | | | | | | | | | | | | | | | | | | | | | | | | | | | | | | | | | | | | | | | | | | | | | | | | | | | | | | | | | | | | | | | | | | | | | | | | | | | | | | | | | | | | | | | | | | | | | | | | | | | | | | | | | | | | | | | | | | | | | | | | | | | | | | | | | | | | | | | | |
| 2003/0184034 | A1 | 10/2003 | Pfeiffer | | | | | | | | | | | | | | | | | | | | | | | | | | | | | | | | | | | | | | | | | | | | | | | | | | | | | | | | | | | | | | | | | | | | | | | | | | | | | | | | | | | | | | | | | | | | | | | | | | | | | | | | | | | | | | | | | | | | | | | | | | | | | | | | | | | | | | | | | | | | | | | | | | | | | | | | | | | | | | | | | | | | | | | | | | | | | | | | | | | | | | | | | | | | | | | | | | | | | | | | | | | | | | | | | | | | | | | | | | | | | | | | | | | | | | | | | | | | | | | | | | | | | | | | | | | | | | | | | | | | | | | | | | | | | | | | | | | | | | | | | | | | | | | | | | | | | | | | | | | | | | | | | | | | | | | | | | | | | | | | | | | | | | | | | | | | | | | | | | | | | | | | | | | | | | | | | | | | | | | | | | | | | | | | | | | | | | | | | | | | | | | |
| 2003/0205877 | A1 | 11/2003 | Verna et al. | | | | | | | | | | | | | | | | | | | | | | | | | | | | | | | | | | | | | | | | | | | | | | | | | | | | | | | | | | | | | | | | | | | | | | | | | | | | | | | | | | | | | | | | | | | | | | | | | | | | | | | | | | | | | | | | | | | | | | | | | | | | | | | | | | | | | | | | | | | | | | | | | | | | | | | | | | | | | | | | | | | | | | | | | | | | | | | | | | | | | | | | | | | | | | | | | | | | | | | | | | | | | | | | | | | | | | | | | | | | | | | | | | | | | | | | | | | | | | | | | | | | | | | | | | | | | | | | | | | | | | | | | | | | | | | | | | | | | | | | | | | | | | | | | | | | | | | | | | | | | | | | | | | | | | | | | | | | | | | | | | | | | | | | | | | | | | | | | | | | | | | | | | | | | | | | | | | | | | | | | | | | | | | | | | | | | | | | | | | | | | | |
| 2004/0103494 | A1 | 6/2004 | Valentini | | | | | | | | | | | | | | | | | | | | | | | | | | | | | | | | | | | | | | | | | | | | | | | | | | | | | | | | | | | | | | | | | | | | | | | | | | | | | | | | | | | | | | | | | | | | | | | | | | | | | | | | | | | | | | | | | | | | | | | | | | | | | | | | | | | | | | | | | | | | | | | | | | | | | | | | | | | | | | | | | | | | | | | | | | | | | | | | | | | | | | | | | | | | | | | | | | | | | | | | | | | | | | | | | | | | | | | | | | | | | | | | | | | | | | | | | | | | | | | | | | | | | | | | | | | | | | | | | | | | | | | | | | | | | | | | | | | | | | | | | | | | | | | | | | | | | | | | | | | | | | | | | | | | | | | | | | | | | | | | | | | | | | | | | | | | | | | | | | | | | | | | | | | | | | | | | | | | | | | | | | | | | | | | | | | | | | | | | | | | | | | |
| 2004/0195793 | A1 | 10/2004 | Sullivan et al. | | | | | | | | | | | | | | | | | | | | | | | | | | | | | | | | | | | | | | | | | | | | | | | | | | | | | | | | | | | | | | | | | | | | | | | | | | | | | | | | | | | | | | | | | | | | | | | | | | | | | | | | | | | | | | | | | | | | | | | | | | | | | | | | | | | | | | | | | | | | | | | | | | | | | | | | | | | | | | | | | | | | | | | | | | | | | | | | | | | | | | | | | | | | | | | | | | | | | | | | | | | | | | | | | | | | | | | | | | | | | | | | | | | | | | | | | | | | | | | | | | | | | | | | | | | | | | | | | | | | | | | | | | | | | | | | | | | | | | | | | | | | | | | | | | | | | | | | | | | | | | | | | | | | | | | | | | | | | | | | | | | | | | | | | | | | | | | | | | | | | | | | | | | | | | | | | | | | | | | | | | | | | | | | | | | | | | | | | | | | | | | |
| 2004/0206656 | A1 | 10/2004 | Dubois et al. | | | | | | | | | | | | | | | | | | | | | | | | | | | | | | | | | | | | | | | | | | | | | | | | | | | | | | | | | | | | | | | | | | | | | | | | | | | | | | | | | | | | | | | | | | | | | | | | | | | | | | | | | | | | | | | | | | | | | | | | | | | | | | | | | | | | | | | | | | | | | | | | | | | | | | | | | | | | | | | | | | | | | | | | | | | | | | | | | | | | | | | | | | | | | | | | | | | | | | | | | | | | | | | | | | | | | | | | | | | | | | | | | | | | | | | | | | | | | | | | | | | | | | | | | | | | | | | | | | | | | | | | | | | | | | | | | | | | | | | | | | | | | | | | | | | | | | | | | | | | | | | | | | | | | | | | | | | | | | | | | | | | | | | | | | | | | | | | | | | | | | | | | | | | | | | | | | | | | | | | | | | | | | | | | | | | | | | | | | | | | | | |
| 2005/0062244 | A1 | 3/2005 | Guirlinger | | | | | | | | | | | | | | | | | | | | | | | | | | | | | | | | | | | | | | | | | | | | | | | | | | | | | | | | | | | | | | | | | | | | | | | | | | | | | | | | | | | | | | | | | | | | | | | | | | | | | | | | | | | | | | | | | | | | | | | | | | | | | | | | | | | | | | | | | | | | | | | | | | | | | | | | | | | | | | | | | | | | | | | | | | | | | | | | | | | | | | | | | | | | | | | | | | | | | | | | | | | | | | | | | | | | | | | | | | | | | | | | | | | | | | | | | | | | | | | | | | | | | | | | | | | | | | | | | | | | | | | | | | | | | | | | | | | | | | | | | | | | | | | | | | | | | | | | | | | | | | | | | | | | | | | | | | | | | | | | | | | | | | | | | | | | | | | | | | | | | | | | | | | | | | | | | | | | | | | | | | | | | | | | | | | | | | | | | | | | | | | |
| 2005/0104308 | A1 | 5/2005 | Barnes | | | | | | | | | | | | | | | | | | | | | | | | | | | | | | | | | | | | | | | | | | | | | | | | | | | | | | | | | | | | | | | | | | | | | | | | | | | | | | | | | | | | | | | | | | | | | | | | | | | | | | | | | | | | | | | | | | | | | | | | | | | | | | | | | | | | | | | | | | | | | | | | | | | | | | | | | | | | | | | | | | | | | | | | | | | | | | | | | | | | | | | | | | | | | | | | | | | | | | | | | | | | | | | | | | | | | | | | | | | | | | | | | | | | | | | | | | | | | | | | | | | | | | | | | | | | | | | | | | | | | | | | | | | | | | | | | | | | | | | | | | | | | | | | | | | | | | | | | | | | | | | | | | | | | | | | | | | | | | | | | | | | | | | | | | | | | | | | | | | | | | | | | | | | | | | | | | | | | | | | | | | | | | | | | | | | | | | | | | | | | | | |
| 2005/0139745 | A1 | 6/2005 | Liao et al. | | | | | | | | | | | | | | | | | | | | | | | | | | | | | | | | | | | | | | | | | | | | | | | | | | | | | | | | | | | | | | | | | | | | | | | | | | | | | | | | | | | | | | | | | | | | | | | | | | | | | | | | | | | | | | | | | | | | | | | | | | | | | | | | | | | | | | | | | | | | | | | | | | | | | | | | | | | | | | | | | | | | | | | | | | | | | | | | | | | | | | | | | | | | | | | | | | | | | | | | | | | | | | | | | | | | | | | | | | | | | | | | | | | | | | | | | | | | | | | | | | | | | | | | | | | | | | | | | | | | | | | | | | | | | | | | | | | | | | | | | | | | | | | | | | | | | | | | | | | | | | | | | | | | | | | | | | | | | | | | | | | | | | | | | | | | | | | | | | | | | | | | | | | | | | | | | | | | | | | | | | | | | | | | | | | | | | | | | | | | | | | |
| 2006/0006770 | A1 | 1/2006 | Valentini | | | | | | | | | | | | | | | | | | | | | | | | | | | | | | | | | | | | | | | | | | | | | | | | | | | | | | | | | | | | | | | | | | | | | | | | | | | | | | | | | | | | | | | | | | | | | | | | | | | | | | | | | | | | | | | | | | | | | | | | | | | | | | | | | | | | | | | | | | | | | | | | | | | | | | | | | | | | | | | | | | | | | | | | | | | | | | | | | | | | | | | | | | | | | | | | | | | | | | | | | | | | | | | | | | | | | | | | | | | | | | | | | | | | | | | | | | | | | | | | | | | | | | | | | | | | | | | | | | | | | | | | | | | | | | | | | | | | | | | | | | | | | | | | | | | | | | | | | | | | | | | | | | | | | | | | | | | | | | | | | | | | | | | | | | | | | | | | | | | | | | | | | | | | | | | | | | | | | | | | | | | | | | | | | | | | | | | | | | | | | | | |
| 2006/0027475 | A1 | 2/2006 | Gleason et al. | | | | | | | | | | | | | | | | | | | | | | | | | | | | | | | | | | | | | | | | | | | | | | | | | | | | | | | | | | | | | | | | | | | | | | | | | | | | | | | | | | | | | | | | | | | | | | | | | | | | | | | | | | | | | | | | | | | | | | | | | | | | | | | | | | | | | | | | | | | | | | | | | | | | | | | | | | | | | | | | | | | | | | | | | | | | | | | | | | | | | | | | | | | | | | | | | | | | | | | | | | | | | | | | | | | | | | | | | | | | | | | | | | | | | | | | | | | | | | | | | | | | | | | | | | | | | | | | | | | | | | | | | | | | | | | | | | | | | | | | | | | | | | | | | | | | | | | | | | | | | | | | | | | | | | | | | | | | | | | | | | | | | | | | | | | | | | | | | | | | | | | | | | | | | | | | | | | | | | | | | | | | | | | | | | | | | | | | | | | | | | | |
| 2006/0038367 | A9 | 2/2006 | Ferraro et al. | | | | | | | | | | | | | | | | | | | | | | | | | | | | | | | | | | | | | | | | | | | | | | | | | | | | | | | | | | | | | | | | | | | | | | | | | | | | | | | | | | | | | | | | | | | | | | | | | | | | | | | | | | | | | | | | | | | | | | | | | | | | | | | | | | | | | | | | | | | | | | | | | | | | | | | | | | | | | | | | | | | | | | | | | | | | | | | | | | | | | | | | | | | | | | | | | | | | | | | | | | | | | | | | | | | | | | | | | | | | | | | | | | | | | | | | | | | | | | | | | | | | | | | | | | | | | | | | | | | | | | | | | | | | | | | | | | | | | | | | | | | | | | | | | | | | | | | | | | | | | | | | | | | | | | | | | | | | | | | | | | | | | | | | | | | | | | | | | | | | | | | | | | | | | | | | | | | | | | | | | | | | | | | | | | | | | | | | | | | | | | | |
| 2006/0119060 | A1 | 6/2006 | Sullivan et al. | | | | | | | | | | | | | | | | | | | | | | | | | | | | | | | | | | | | | | | | | | | | | | | | | | | | | | | | | | | | | | | | | | | | | | | | | | | | | | | | | | | | | | | | | | | | | | | | | | | | | | | | | | | | | | | | | | | | | | | | | | | | | | | | | | | | | | | | | | | | | | | | | | | | | | | | | | | | | | | | | | | | | | | | | | | | | | | | | | | | | | | | | | | | | | | | | | | | | | | | | | | | | | | | | | | | | | | | | | | | | | | | | | | | | | | | | | | | | | | | | | | | | | | | | | | | | | | | | | | | | | | | | | | | | | | | | | | | | | | | | | | | | | | | | | | | | | | | | | | | | | | | | | | | | | | | | | | | | | | | | | | | | | | | | | | | | | | | | | | | | | | | | | | | | | | | | | | | | | | | | | | | | | | | | | | | | | | | | | | | | | | |
| 2006/0186624 | A1 | 8/2006 | Kady | | | | | | | | | | | | | | | | | | | | | | | | | | | | | | | | | | | | | | | | | | | | | | | | | | | | | | | | | | | | | | | | | | | | | | | | | | | | | | | | | | | | | | | | | | | | | | | | | | | | | | | | | | | | | | | | | | | | | | | | | | | | | | | | | | | | | | | | | | | | | | | | | | | | | | | | | | | | | | | | | | | | | | | | | | | | | | | | | | | | | | | | | | | | | | | | | | | | | | | | | | | | | | | | | | | | | | | | | | | | | | | | | | | | | | | | | | | | | | | | | | | | | | | | | | | | | | | | | | | | | | | | | | | | | | | | | | | | | | | | | | | | | | | | | | | | | | | | | | | | | | | | | | | | | | | | | | | | | | | | | | | | | | | | | | | | | | | | | | | | | | | | | | | | | | | | | | | | | | | | | | | | | | | | | | | | | | | | | | | | | | | |
| 2006/0254946 | A1 | 11/2006 | Becklin | | | | | | | | | | | | | | | | | | | | | | | | | | | | | | | | | | | | | | | | | | | | | | | | | | | | | | | | | | | | | | | | | | | | | | | | | | | | | | | | | | | | | | | | | | | | | | | | | | | | | | | | | | | | | | | | | | | | | | | | | | | | | | | | | | | | | | | | | | | | | | | | | | | | | | | | | | | | | | | | | | | | | | | | | | | | | | | | | | | | | | | | | | | | | | | | | | | | | | | | | | | | | | | | | | | | | | | | | | | | | | | | | | | | | | | | | | | | | | | | | | | | | | | | | | | | | | | | | | | | | | | | | | | | | | | | | | | | | | | | | | | | | | | | | | | | | | | | | | | | | | | | | | | | | | | | | | | | | | | | | | | | | | | | | | | | | | | | | | | | | | | | | | | | | | | | | | | | | | | | | | | | | | | | | | | | | | | | | | | | | | | |
| 2007/0068757 | A1 | 3/2007 | Tan | | | | | | | | | | | | | | | | | | | | | | | | | | | | | | | | | | | | | | | | | | | | | | | | | | | | | | | | | | | | | | | | | | | | | | | | | | | | | | | | | | | | | | | | | | | | | | | | | | | | | | | | | | | | | | | | | | | | | | | | | | | | | | | | | | | | | | | | | | | | | | | | | | | | | | | | | | | | | | | | | | | | | | | | | | | | | | | | | | | | | | | | | | | | | | | | | | | | | | | | | | | | | | | | | | | | | | | | | | | | | | | | | | | | | | | | | | | | | | | | | | | | | | | | | | | | | | | | | | | | | | | | | | | | | | | | | | | | | | | | | | | | | | | | | | | | | | | | | | | | | | | | | | | | | | | | | | | | | | | | | | | | | | | | | | | | | | | | | | | | | | | | | | | | | | | | | | | | | | | | | | | | | | | | | | | | | | | | | | | | | | | |
| 2007/0090616 | A1 | 4/2007 | Tompkins | | | | | | | | | | | | | | | | | | | | | | | | | | | | | | | | | | | | | | | | | | | | | | | | | | | | | | | | | | | | | | | | | | | | | | | | | | | | | | | | | | | | | | | | | | | | | | | | | | | | | | | | | | | | | | | | | | | | | | | | | | | | | | | | | | | | | | | | | | | | | | | | | | | | | | | | | | | | | | | | | | | | | | | | | | | | | | | | | | | | | | | | | | | | | | | | | | | | | | | | | | | | | | | | | | | | | | | | | | | | | | | | | | | | | | | | | | | | | | | | | | | | | | | | | | | | | | | | | | | | | | | | | | | | | | | | | | | | | | | | | | | | | | | | | | | | | | | | | | | | | | | | | | | | | | | | | | | | | | | | | | | | | | | | | | | | | | | | | | | | | | | | | | | | | | | | | | | | | | | | | | | | | | | | | | | | | | | | | | | | | | | |
| 2007/0145700 | A1 | 6/2007 | Ambrose et al. | | | | | | | | | | | | | | | | | | | | | | | | | | | | | | | | | | | | | | | | | | | | | | | | | | | | | | | | | | | | | | | | | | | | | | | | | | | | | | | | | | | | | | | | | | | | | | | | | | | | | | | | | | | | | | | | | | | | | | | | | | | | | | | | | | | | | | | | | | | | | | | | | | | | | | | | | | | | | | | | | | | | | | | | | | | | | | | | | | | | | | | | | | | | | | | | | | | | | | | | | | | | | | | | | | | | | | | | | | | | | | | | | | | | | | | | | | | | | | | | | | | | | | | | | | | | | | | | | | | | | | | | | | | | | | | | | | | | | | | | | | | | | | | | | | | | | | | | | | | | | | | | | | | | | | | | | | | | | | | | | | | | | | | | | | | | | | | | | | | | | | | | | | | | | | | | | | | | | | | | | | | | | | | | | | | | | | | | | | | | | | | |
| 2007/0194543 | A1 | 8/2007 | Duvigneau | | | | | | | | | | | | | | | | | | | | | | | | | | | | | | | | | | | | | | | | | | | | | | | | | | | | | | | | | | | | | | | | | | | | | | | | | | | | | | | | | | | | | | | | | | | | | | | | | | | | | | | | | | | | | | | | | | | | | | | | | | | | | | | | | | | | | | | | | | | | | | | | | | | | | | | | | | | | | | | | | | | | | | | | | | | | | | | | | | | | | | | | | | | | | | | | | | | | | | | | | | | | | | | | | | | | | | | | | | | | | | | | | | | | | | | | | | | | | | | | | | | | | | | | | | | | | | | | | | | | | | | | | | | | | | | | | | | | | | | | | | | | | | | | | | | | | | | | | | | | | | | | | | | | | | | | | | | | | | | | | | | | | | | | | | | | | | | | | | | | | | | | | | | | | | | | | | | | | | | | | | | | | | | | | | | | | | | | | | | | | | | |
| 2008/0104921 | A1 | 5/2008 | Pervan et al. | | | | | | | | | | | | | | | | | | | | | | | | | | | | | | | | | | | | | | | | | | | | | | | | | | | | | | | | | | | | | | | | | | | | | | | | | | | | | | | | | | | | | | | | | | | | | | | | | | | | | | | | | | | | | | | | | | | | | | | | | | | | | | | | | | | | | | | | | | | | | | | | | | | | | | | | | | | | | | | | | | | | | | | | | | | | | | | | | | | | | | | | | | | | | | | | | | | | | | | | | | | | | | | | | | | | | | | | | | | | | | | | | | | | | | | | | | | | | | | | | | | | | | | | | | | | | | | | | | | | | | | | | | | | | | | | | | | | | | | | | | | | | | | | | | | | | | | | | | | | | | | | | | | | | | | | | | | | | | | | | | | | | | | | | | | | | | | | | | | | | | | | | | | | | | | | | | | | | | | | | | | | | | | | | | | | | | | | | | | | | | | |
| 2008/0115312 | A1 | 5/2008 | Dipasquale et al. | | | | | | | | | | | | | | | | | | | | | | | | | | | | | | | | | | | | | | | | | | | | | | | | | | | | | | | | | | | | | | | | | | | | | | | | | | | | | | | | | | | | | | | | | | | | | | | | | | | | | | | | | | | | | | | | | | | | | | | | | | | | | | | | | | | | | | | | | | | | | | | | | | | | | | | | | | | | | | | | | | | | | | | | | | | | | | | | | | | | | | | | | | | | | | | | | | | | | | | | | | | | | | | | | | | | | | | | | | | | | | | | | | | | | | | | | | | | | | | | | | | | | | | | | | | | | | | | | | | | | | | | | | | | | | | | | | | | | | | | | | | | | | | | | | | | | | | | | | | | | | | | | | | | | | | | | | | | | | | | | | | | | | | | | | | | | | | | | | | | | | | | | | | | | | | | | | | | | | | | | | | | | | | | | | | | | | | | | | | | | | | |
| 2008/0121547 | A1 | 5/2008 | Dur et al. | | | | | | | | | | | | | | | | | | | | | | | | | | | | | | | | | | | | | | | | | | | | | | | | | | | | | | | | | | | | | | | | | | | | | | | | | | | | | | | | | | | | | | | | | | | | | | | | | | | | | | | | | | | | | | | | | | | | | | | | | | | | | | | | | | | | | | | | | | | | | | | | | | | | | | | | | | | | | | | | | | | | | | | | | | | | | | | | | | | | | | | | | | | | | | | | | | | | | | | | | | | | | | | | | | | | | | | | | | | | | | | | | | | | | | | | | | | | | | | | | | | | | | | | | | | | | | | | | | | | | | | | | | | | | | | | | | | | | | | | | | | | | | | | | | | | | | | | | | | | | | | | | | | | | | | | | | | | | | | | | | | | | | | | | | | | | | | | | | | | | | | | | | | | | | | | | | | | | | | | | | | | | | | | | | | | | | | | | | | | | | | |
| 2008/0134607 | A1 | 6/2008 | Pervan et al. | | | | | | | | | | | | | | | | | | | | | | | | | | | | | | | | | | | | | | | | | | | | | | | | | | | | | | | | | | | | | | | | | | | | | | | | | | | | | | | | | | | | | | | | | | | | | | | | | | | | | | | | | | | | | | | | | | | | | | | | | | | | | | | | | | | | | | | | | | | | | | | | | | | | | | | | | | | | | | | | | | | | | | | | | | | | | | | | | | | | | | | | | | | | | | | | | | | | | | | | | | | | | | | | | | | | | | | | | | | | | | | | | | | | | | | | | | | | | | | | | | | | | | | | | | | | | | | | | | | | | | | | | | | | | | | | | | | | | | | | | | | | | | | | | | | | | | | | | | | | | | | | | | | | | | | | | | | | | | | | | | | | | | | | | | | | | | | | | | | | | | | | | | | | | | | | | | | | | | | | | | | | | | | | | | | | | | | | | | | | | | | |
| 2008/0169739 | A1 | 7/2008 | Goldenberg | | | | | | | | | | | | | | | | | | | | | | | | | | | | | | | | | | | | | | | | | | | | | | | | | | | | | | | | | | | | | | | | | | | | | | | | | | | | | | | | | | | | | | | | | | | | | | | | | | | | | | | | | | | | | | | | | | | | | | | | | | | | | | | | | | | | | | | | | | | | | | | | | | | | | | | | | | | | | | | | | | | | | | | | | | | | | | | | | | | | | | | | | | | | | | | | | | | | | | | | | | | | | | | | | | | | | | | | | | | | | | | | | | | | | | | | | | | | | | | | | | | | | | | | | | | | | | | | | | | | | | | | | | | | | | | | | | | | | | | | | | | | | | | | | | | | | | | | | | | | | | | | | | | | | | | | | | | | | | | | | | | | | | | | | | | | | | | | | | | | | | | | | | | | | | | | | | | | | | | | | | | | | | | | | | | | | | | | | | | | | | | |
| 2008/0271280 | A1 | 11/2008 | Tiede et al. | | | | | | | | | | | | | | | | | | | | | | | | | | | | | | | | | | | | | | | | | | | | | | | | | | | | | | | | | | | | | | | | | | | | | | | | | | | | | | | | | | | | | | | | | | | | | | | | | | | | | | | | | | | | | | | | | | | | | | | | | | | | | | | | | | | | | | | | | | | | | | | | | | | | | | | | | | | | | | | | | | | | | | | | | | | | | | | | | | | | | | | | | | | | | | | | | | | | | | | | | | | | | | | | | | | | | | | | | | | | | | | | | | | | | | | | | | | | | | | | | | | | | | | | | | | | | | | | | | | | | | | | | | | | | | | | | | | | | | | | | | | | | | | | | | | | | | | | | | | | | | | | | | | | | | | | | | | | | | | | | | | | | | | | | | | | | | | | | | | | | | | | | | | | | | | | | | | | | | | | | | | | | | | | | | | | | | | | | | | | | | | |
| 2008/0277221 | A1 | 11/2008 | Josefson et al. | | | | | | | | | | | | | | | | | | | | | | | | | | | | | | | | | | | | | | | | | | | | | | | | | | | | | | | | | | | | | | | | | | | | | | | | | | | | | | | | | | | | | | | | | | | | | | | | | | | | | | | | | | | | | | | | | | | | | | | | | | | | | | | | | | | | | | | | | | | | | | | | | | | | | | | | | | | | | | | | | | | | | | | | | | | | | | | | | | | | | | | | | | | | | | | | | | | | | | | | | | | | | | | | | | | | | | | | | | | | | | | | | | | | | | | | | | | | | | | | | | | | | | | | | | | | | | | | | | | | | | | | | | | | | | | | | | | | | | | | | | | | | | | | | | | | | | | | | | | | | | | | | | | | | | | | | | | | | | | | | | | | | | | | | | | | | | | | | | | | | | | | | | | | | | | | | | | | | | | | | | | | | | | | | | | | | | | | | | | | | | | |
| 2008/0308369 | A1 | 12/2008 | Louis | | | | | | | | | | | | | | | | | | | | | | | | | | | | | | | | | | | | | | | | | | | | | | | | | | | | | | | | | | | | | | | | | | | | | | | | | | | | | | | | | | | | | | | | | | | | | | | | | | | | | | | | | | | | | | | | | | | | | | | | | | | | | | | | | | | | | | | | | | | | | | | | | | | | | | | | | | | | | | | | | | | | | | | | | | | | | | | | | | | | | | | | | | | | | | | | | | | | | | | | | | | | | | | | | | | | | | | | | | | | | | | | | | | | | | | | | | | | | | | | | | | | | | | | | | | | | | | | | | | | | | | | | | | | | | | | | | | | | | | | | | | | | | | | | | | | | | | | | | | | | | | | | | | | | | | | | | | | | | | | | | | | | | | | | | | | | | | | | | | | | | | | | | | | | | | | | | | | | | | | | | | | | | | | | | | | | | | | | | | | | | | |
| 2009/0026901 | A1 * | 1/2009 | Nies | A61G 12/004
312/249.11 | | | | | | | | | | | | | | | | | | | | | | | | | | | | | | | | | | | | | | | | | | | | | | | | | | | | | | | | | | | | | | | | | | | | | | | | | | | | | | | | | | | | | | | | | | | | | | | | | | | | | | | | | | | | | | | | | | | | | | | | | | | | | | | | | | | | | | | | | | | | | | | | | | | | | | | | | | | | | | | | | | | | | | | | | | | | | | | | | | | | | | | | | | | | | | | | | | | | | | | | | | | | | | | | | | | | | | | | | | | | | | | | | | | | | | | | | | | | | | | | | | | | | | | | | | | | | | | | | | | | | | | | | | | | | | | | | | | | | | | | | | | | | | | | | | | | | | | | | | | | | | | | | | | | | | | | | | | | | | | | | | | | | | | | | | | | | | | | | | | | | | | | | | | | | | | | | | | | | | | | | | | | | | | | | | | | | | | | | | | | | | |
| 2009/0071990 | A1 | 3/2009 | Jardine et al. | | | | | | | | | | | | | | | | | | | | | | | | | | | | | | | | | | | | | | | | | | | | | | | | | | | | | | | | | | | | | | | | | | | | | | | | | | | | | | | | | | | | | | | | | | | | | | | | | | | | | | | | | | | | | | | | | | | | | | | | | | | | | | | | | | | | | | | | | | | | | | | | | | | | | | | | | | | | | | | | | | | | | | | | | | | | | | | | | | | | | | | | | | | | | | | | | | | | | | | | | | | | | | | | | | | | | | | | | | | | | | | | | | | | | | | | | | | | | | | | | | | | | | | | | | | | | | | | | | | | | | | | | | | | | | | | | | | | | | | | | | | | | | | | | | | | | | | | | | | | | | | | | | | | | | | | | | | | | | | | | | | | | | | | | | | | | | | | | | | | | | | | | | | | | | | | | | | | | | | | | | | | | | | | | | | | | | | | | | | | | | | |
| 2009/0145790 | A1 | 6/2009 | Panosian et al. | | | | | | | | | | | | | | | | | | | | | | | | | | | | | | | | | | | | | | | | | | | | | | | | | | | | | | | | | | | | | | | | | | | | | | | | | | | | | | | | | | | | | | | | | | | | | | | | | | | | | | | | | | | | | | | | | | | | | | | | | | | | | | | | | | | | | | | | | | | | | | | | | | | | | | | | | | | | | | | | | | | | | | | | | | | | | | | | | | | | | | | | | | | | | | | | | | | | | | | | | | | | | | | | | | | | | | | | | | | | | | | | | | | | | | | | | | | | | | | | | | | | | | | | | | | | | | | | | | | | | | | | | | | | | | | | | | | | | | | | | | | | | | | | | | | | | | | | | | | | | | | | | | | | | | | | | | | | | | | | | | | | | | | | | | | | | | | | | | | | | | | | | | | | | | | | | | | | | | | | | | | | | | | | | | | | | | | | | | | | | | | |
| 2009/0145866 | A1 | 6/2009 | Panosian et al. | | | | | | | | | | | | | | | | | | | | | | | | | | | | | | | | | | | | | | | | | | | | | | | | | | | | | | | | | | | | | | | | | | | | | | | | | | | | | | | | | | | | | | | | | | | | | | | | | | | | | | | | | | | | | | | | | | | | | | | | | | | | | | | | | | | | | | | | | | | | | | | | | | | | | | | | | | | | | | | | | | | | | | | | | | | | | | | | | | | | | | | | | | | | | | | | | | | | | | | | | | | | | | | | | | | | | | | | | | | | | | | | | | | | | | | | | | | | | | | | | | | | | | | | | | | | | | | | | | | | | | | | | | | | | | | | | | | | | | | | | | | | | | | | | | | | | | | | | | | | | | | | | | | | | | | | | | | | | | | | | | | | | | | | | | | | | | | | | | | | | | | | | | | | | | | | | | | | | | | | | | | | | | | | | | | | | | | | | | | | | | | |
| 2009/0145913 | A1 | 6/2009 | Panosian et al. | | | | | | | | | | | | | | | | | | | | | | | | | | | | | | | | | | | | | | | | | | | | | | | | | | | | | | | | | | | | | | | | | | | | | | | | | | | | | | | | | | | | | | | | | | | | | | | | | | | | | | | | | | | | | | | | | | | | | | | | | | | | | | | | | | | | | | | | | | | | | | | | | | | | | | | | | | | | | | | | | | | | | | | | | | | | | | | | | | | | | | | | | | | | | | | | | | | | | | | | | | | | | | | | | | | | | | | | | | | | | | | | | | | | | | | | | | | | | | | | | | | | | | | | | | | | | | | | | | | | | | | | | | | | | | | | | | | | | | | | | | | | | | | | | | | | | | | | | | | | | | | | | | | | | | | | | | | | | | | | | | | | | | | | | | | | | | | | | | | | | | | | | | | | | | | | | | | | | | | | | | | | | | | | | | | | | | | | | | | | | | | |
| 2009/0178946 | A1 | 7/2009 | Patstone et al. | | | | | | | | | | | | | | | | | | | | | | | | | | | | | | | | | | | | | | | | | | | | | | | | | | | | | | | | | | | | | | | | | | | | | | | | | | | | | | | | | | | | | | | | | | | | | | | | | | | | | | | | | | | | | | | | | | | | | | | | | | | | | | | | | | | | | | | | | | | | | | | | | | | | | | | | | | | | | | | | | | | | | | | | | | | | | | | | | | | | | | | | | | | | | | | | | | | | | | | | | | | | | | | | | | | | | | | | | | | | | | | | | | | | | | | | | | | | | | | | | | | | | | | | | | | | | | | | | | | | | | | | | | | | | | | | | | | | | | | | | | | | | | | | | | | | | | | | | | | | | | | | | | | | | | | | | | | | | | | | | | | | | | | | | | | | | | | | | | | | | | | | | | | | | | | | | | | | | | | | | | | | | | | | | | | | | | | | | | | | | | | |
| 2010/0052276 | A1 | 3/2010 | Brunner | | | | | | | | | | | | | | | | | | | | | | | | | | | | | | | | | | | | | | | | | | | | | | | | | | | | | | | | | | | | | | | | | | | | | | | | | | | | | | | | | | | | | | | | | | | | | | | | | | | | | | | | | | | | | | | | | | | | | | | | | | | | | | | | | | | | | | | | | | | | | | | | | | | | | | | | | | | | | | | | | | | | | | | | | | | | | | | | | | | | | | | | | | | | | | | | | | | | | | | | | | | | | | | | | | | | | | | | | | | | | | | | | | | | | | | | | | | | | | | | | | | | | | | | | | | | | | | | | | | | | | | | | | | | | | | | | | | | | | | | | | | | | | | | | | | | | | | | | | | | | | | | | | | | | | | | | | | | | | | | | | | | | | | | | | | | | | | | | | | | | | | | | | | | | | | | | | | | | | | | | | | | | | | | | | | | | | | | | | | | | | | |
| 2010/0139566 | A1 | 6/2010 | Lopuszanski | | | | | | | | | | | | | | | | | | | | | | | | | | | | | | | | | | | | | | | | | | | | | | | | | | | | | | | | | | | | | | | | | | | | | | | | | | | | | | | | | | | | | | | | | | | | | | | | | | | | | | | | | | | | | | | | | | | | | | | | | | | | | | | | | | | | | | | | | | | | | | | | | | | | | | | | | | | | | | | | | | | | | | | | | | | | | | | | | | | | | | | | | | | | | | | | | | | | | | | | | | | | | | | | | | | | | | | | | | | | | | | | | | | | | | | | | | | | | | | | | | | | | | | | | | | | | | | | | | | | | | | | | | | | | | | | | | | | | | | | | | | | | | | | | | | | | | | | | | | | | | | | | | | | | | | | | | | | | | | | | | | | | | | | | | | | | | | | | | | | | | | | | | | | | | | | | | | | | | | | | | | | | | | | | | | | | | | | | | | | | | | |
| 2010/0147642 | A1 | 6/2010 | Andochick | | | | | | | | | | | | | | | | | | | | | | | | | | | | | | | | | | | | | | | | | | | | | | | | | | | | | | | | | | | | | | | | | | | | | | | | | | | | | | | | | | | | | | | | | | | | | | | | | | | | | | | | | | | | | | | | | | | | | | | | | | | | | | | | | | | | | | | | | | | | | | | | | | | | | | | | | | | | | | | | | | | | | | | | | | | | | | | | | | | | | | | | | | | | | | | | | | | | | | | | | | | | | | | | | | | | | | | | | | | | | | | | | | | | | | | | | | | | | | | | | | | | | | | | | | | | | | | | | | | | | | | | | | | | | | | | | | | | | | | | | | | | | | | | | | | | | | | | | | | | | | | | | | | | | | | | | | | | | | | | | | | | | | | | | | | | | | | | | | | | | | | | | | | | | | | | | | | | | | | | | | | | | | | | | | | | | | | | | | | | | | | |
| 2010/0219193 | A1 | 9/2010 | Becklin | | | | | | | | | | | | | | | | | | | | | | | | | | | | | | | | | | | | | | | | | | | | | | | | | | | | | | | | | | | | | | | | | | | | | | | | | | | | | | | | | | | | | | | | | | | | | | | | | | | | | | | | | | | | | | | | | | | | | | | | | | | | | | | | | | | | | | | | | | | | | | | | | | | | | | | | | | | | | | | | | | | | | | | | | | | | | | | | | | | | | | | | | | | | | | | | | | | | | | | | | | | | | | | | | | | | | | | | | | | | | | | | | | | | | | | | | | | | | | | | | | | | | | | | | | | | | | | | | | | | | | | | | | | | | | | | | | | | | | | | | | | | | | | | | | | | | | | | | | | | | | | | | | | | | | | | | | | | | | | | | | | | | | | | | | | | | | | | | | | | | | | | | | | | | | | | | | | | | | | | | | | | | | | | | | | | | | | | | | | | | | | |
| 2011/0073516 | A1 | 3/2011 | Zelinskiy | | | | | | | | | | | | | | | | | | | | | | | | | | | | | | | | | | | | | | | | | | | | | | | | | | | | | | | | | | | | | | | | | | | | | | | | | | | | | | | | | | | | | | | | | | | | | | | | | | | | | | | | | | | | | | | | | | | | | | | | | | | | | | | | | | | | | | | | | | | | | | | | | | | | | | | | | | | | | | | | | | | | | | | | | | | | | | | | | | | | | | | | | | | | | | | | | | | | | | | | | | | | | | | | | | | | | | | | | | | | | | | | | | | | | | | | | | | | | | | | | | | | | | | | | | | | | | | | | | | | | | | | | | | | | | | | | | | | | | | | | | | | | | | | | | | | | | | | | | | | | | | | | | | | | | | | | | | | | | | | | | | | | | | | | | | | | | | | | | | | | | | | | | | | | | | | | | | | | | | | | | | | | | | | | | | | | | | | | | | | | | | |
| 2011/0139665 | A1 | 6/2011 | Madsen | | | | | | | | | | | | | | | | | | | | | | | | | | | | | | | | | | | | | | | | | | | | | | | | | | | | | | | | | | | | | | | | | | | | | | | | | | | | | | | | | | | | | | | | | | | | | | | | | | | | | | | | | | | | | | | | | | | | | | | | | | | | | | | | | | | | | | | | | | | | | | | | | | | | | | | | | | | | | | | | | | | | | | | | | | | | | | | | | | | | | | | | | | | | | | | | | | | | | | | | | | | | | | | | | | | | | | | | | | | | | | | | | | | | | | | | | | | | | | | | | | | | | | | | | | | | | | | | | | | | | | | | | | | | | | | | | | | | | | | | | | | | | | | | | | | | | | | | | | | | | | | | | | | | | | | | | | | | | | | | | | | | | | | | | | | | | | | | | | | | | | | | | | | | | | | | | | | | | | | | | | | | | | | | | | | | | | | | | | | | | | | |
| 2011/0155613 | A1 | 6/2011 | Koenig et al. | | | | | | | | | | | | | | | | | | | | | | | | | | | | | | | | | | | | | | | | | | | | | | | | | | | | | | | | | | | | | | | | | | | | | | | | | | | | | | | | | | | | | | | | | | | | | | | | | | | | | | | | | | | | | | | | | | | | | | | | | | | | | | | | | | | | | | | | | | | | | | | | | | | | | | | | | | | | | | | | | | | | | | | | | | | | | | | | | | | | | | | | | | | | | | | | | | | | | | | | | | | | | | | | | | | | | | | | | | | | | | | | | | | | | | | | | | | | | | | | | | | | | | | | | | | | | | | | | | | | | | | | | | | | | | | | | | | | | | | | | | | | | | | | | | | | | | | | | | | | | | | | | | | | | | | | | | | | | | | | | | | | | | | | | | | | | | | | | | | | | | | | | | | | | | | | | | | | | | | | | | | | | | | | | | | | | | | | | | | | | | | |
| 2011/0181008 | A1 | 7/2011 | Bensman et al. | | | | | | | | | | | | | | | | | | | | | | | | | | | | | | | | | | | | | | | | | | | | | | | | | | | | | | | | | | | | | | | | | | | | | | | | | | | | | | | | | | | | | | | | | | | | | | | | | | | | | | | | | | | | | | | | | | | | | | | | | | | | | | | | | | | | | | | | | | | | | | | | | | | | | | | | | | | | | | | | | | | | | | | | | | | | | | | | | | | | | | | | | | | | | | | | | | | | | | | | | | | | | | | | | | | | | | | | | | | | | | | | | | | | | | | | | | | | | | | | | | | | | | | | | | | | | | | | | | | | | | | | | | | | | | | | | | | | | | | | | | | | | | | | | | | | | | | | | | | | | | | | | | | | | | | | | | | | | | | | | | | | | | | | | | | | | | | | | | | | | | | | | | | | | | | | | | | | | | | | | | | | | | | | | | | | | | | | | | | | | | | |
| 2011/0220531 | A1 | 9/2011 | Meether et al. | | | | | | | | | | | | | | | | | | | | | | | | | | | | | | | | | | | | | | | | | | | | | | | | | | | | | | | | | | | | | | | | | | | | | | | | | | | | | | | | | | | | | | | | | | | | | | | | | | | | | | | | | | | | | | | | | | | | | | | | | | | | | | | | | | | | | | | | | | | | | | | | | | | | | | | | | | | | | | | | | | | | | | | | | | | | | | | | | | | | | | | | | | | | | | | | | | | | | | | | | | | | | | | | | | | | | | | | | | | | | | | | | | | | | | | | | | | | | | | | | | | | | | | | | | | | | | | | | | | | | | | | | | | | | | | | | | | | | | | | | | | | | | | | | | | | | | | | | | | | | | | | | | | | | | | | | | | | | | | | | | | | | | | | | | | | | | | | | | | | | | | | | | | | | | | | | | | | | | | | | | | | | | | | | | | | | | | | | | | | | | | |
| 2012/0160886 | A1 | 6/2012 | Henny et al. | | | | | | | | | | | | | | | | | | | | | | | | | | | | | | | | | | | | | | | | | | | | | | | | | | | | | | | | | | | | | | | | | | | | | | | | | | | | | | | | | | | | | | | | | | | | | | | | | | | | | | | | | | | | | | | | | | | | | | | | | | | | | | | | | | | | | | | | | | | | | | | | | | | | | | | | | | | | | | | | | | | | | | | | | | | | | | | | | | | | | | | | | | | | | | | | | | | | | | | | | | | | | | | | | | | | | | | | | | | | | | | | | | | | | | | | | | | | | | | | | | | | | | | | | | | | | | | | | | | | | | | | | | | | | | | | | | | | | | | | | | | | | | | | | | | | | | | | | | | | | | | | | | | | | | | | | | | | | | | | | | | | | | | | | | | | | | | | | | | | | | | | | | | | | | | | | | | | | | | | | | | | | | | | | | | | | | | | | | | | | | | |
| 2012/0180250 | A1 | 7/2012 | Ricklefsen et al. | | | | | | | | | | | | | | | | | | | | | | | | | | | | | | | | | | | | | | | | | | | | | | | | | | | | | | | | | | | | | | | | | | | | | | | | | | | | | | | | | | | | | | | | | | | | | | | | | | | | | | | | | | | | | | | | | | | | | | | | | | | | | | | | | | | | | | | | | | | | | | | | | | | | | | | | | | | | | | | | | | | | | | | | | | | | | | | | | | | | | | | | | | | | | | | | | | | | | | | | | | | | | | | | | | | | | | | | | | | | | | | | | | | | | | | | | | | | | | | | | | | | | | | | | | | | | | | | | | | | | | | | | | | | | | | | | | | | | | | | | | | | | | | | | | | | | | | | | | | | | | | | | | | | | | | | | | | | | | | | | | | | | | | | | | | | | | | | | | | | | | | | | | | | | | | | | | | | | | | | | | | | | | | | | | | | | | | | | | | | | | | |
| 2012/0207571 | A1 | 8/2012 | Scott | | | | | | | | | | | | | | | | | | | | | | | | | | | | | | | | | | | | | | | | | | | | | | | | | | | | | | | | | | | | | | | | | | | | | | | | | | | | | | | | | | | | | | | | | | | | | | | | | | | | | | | | | | | | | | | | | | | | | | | | | | | | | | | | | | | | | | | | | | | | | | | | | | | | | | | | | | | | | | | | | | | | | | | | | | | | | | | | | | | | | | | | | | | | | | | | | | | | | | | | | | | | | | | | | | | | | | | | | | | | | | | | | | | | | | | | | | | | | | | | | | | | | | | | | | | | | | | | | | | | | | | | | | | | | | | | | | | | | | | | | | | | | | | | | | | | | | | | | | | | | | | | | | | | | | | | | | | | | | | | | | | | | | | | | | | | | | | | | | | | | | | | | | | | | | | | | | | | | | | | | | | | | | | | | | | | | | | | | | | | | | | |
| 2012/0326406 | A1 | 12/2012 | Lifshitz et al. | | | | | | | | | | | | | | | | | | | | | | | | | | | | | | | | | | | | | | | | | | | | | | | | | | | | | | | | | | | | | | | | | | | | | | | | | | | | | | | | | | | | | | | | | | | | | | | | | | | | | | | | | | | | | | | | | | | | | | | | | | | | | | | | | | | | | | | | | | | | | | | | | | | | | | | | | | | | | | | | | | | | | | | | | | | | | | | | | | | | | | | | | | | | | | | | | | | | | | | | | | | | | | | | | | | | | | | | | | | | | | | | | | | | | | | | | | | | | | | | | | | | | | | | | | | | | | | | | | | | | | | | | | | | | | | | | | | | | | | | | | | | | | | | | | | | | | | | | | | | | | | | | | | | | | | | | | | | | | | | | | | | | | | | | | | | | | | | | | | | | | | | | | | | | | | | | | | | | | | | | | | | | | | | | | | | | | | | | | | | | | | |
| 2013/0024468 | A1 | 1/2013 | Kocsis | | | | | | | | | | | | | | | | | | | | | | | | | | | | | | | | | | | | | | | | | | | | | | | | | | | | | | | | | | | | | | | | | | | | | | | | | | | | | | | | | | | | | | | | | | | | | | | | | | | | | | | | | | | | | | | | | | | | | | | | | | | | | | | | | | | | | | | | | | | | | | | | | | | | | | | | | | | | | | | | | | | | | | | | | | | | | | | | | | | | | | | | | | | | | | | | | | | | | | | | | | | | | | | | | | | | | | | | | | | | | | | | | | | | | | | | | | | | | | | | | | | | | | | | | | | | | | | | | | | | | | | | | | | | | | | | | | | | | | | | | | | | | | | | | | | | | | | | | | | | | | | | | | | | | | | | | | | | | | | | | | | | | | | | | | | | | | | | | | | | | | | | | | | | | | | | | | | | | | | | | | | | | | | | | | | | | | | | | | | | | | | |
| 2013/0031731 | A1 | 2/2013 | Hess | | | | | | | | | | | | | | | | | | | | | | | | | | | | | | | | | | | | | | | | | | | | | | | | | | | | | | | | | | | | | | | | | | | | | | | | | | | | | | | | | | | | | | | | | | | | | | | | | | | | | | | | | | | | | | | | | | | | | | | | | | | | | | | | | | | | | | | | | | | | | | | | | | | | | | | | | | | | | | | | | | | | | | | | | | | | | | | | | | | | | | | | | | | | | | | | | | | | | | | | | | | | | | | | | | | | | | | | | | | | | | | | | | | | | | | | | | | | | | | | | | | | | | | | | | | | | | | | | | | | | | | | | | | | | | | | | | | | | | | | | | | | | | | | | | | | | | | | | | | | | | | | | | | | | | | | | | | | | | | | | | | | | | | | | | | | | | | | | | | | | | | | | | | | | | | | | | | | | | | | | | | | | | | | | | | | | | | | | | | | | | | |
| 2013/0031732 | A1 | 2/2013 | Hess et al. | | | | | | | | | | | | | | | | | | | | | | | | | | | | | | | | | | | | | | | | | | | | | | | | | | | | | | | | | | | | | | | | | | | | | | | | | | | | | | | | | | | | | | | | | | | | | | | | | | | | | | | | | | | | | | | | | | | | | | | | | | | | | | | | | | | | | | | | | | | | | | | | | | | | | | | | | | | | | | | | | | | | | | | | | | | | | | | | | | | | | | | | | | | | | | | | | | | | | | | | | | | | | | | | | | | | | | | | | | | | | | | | | | | | | | | | | | | | | | | | | | | | | | | | | | | | | | | | | | | | | | | | | | | | | | | | | | | | | | | | | | | | | | | | | | | | | | | | | | | | | | | | | | | | | | | | | | | | | | | | | | | | | | | | | | | | | | | | | | | | | | | | | | | | | | | | | | | | | | | | | | | | | | | | | | | | | | | | | | | | | | | |

(56) **References Cited**
 U.S. PATENT DOCUMENTS

2,970,358	A	2/1961	Elsner	
3,117,692	A	1/1964	Carpenter et al.	
3,506,321	A	4/1970	Hampel	
3,974,898	A	8/1976	Tullis et al.	
4,168,076	A	9/1979	Johnson	
5,035,445	A	7/1991	Poulin	
5,105,947	A	4/1992	Wise	
5,240,264	A	8/1993	Williams	
5,301,829	A	4/1994	Chrisco	
5,429,260	A	7/1995	Vollers	
5,595,228	A	1/1997	Meisner et al.	
5,608,603	A	3/1997	Su	
5,628,443	A	5/1997	Deutsch	
5,797,617	A	8/1998	Lin	
5,951,037	A	9/1999	Hsieh et al.	
5,988,473	A	11/1999	Hagan et al.	
6,050,660	A	4/2000	Gurley	
6,085,925	A	7/2000	Chung	
6,109,627	A	8/2000	Be	
6,176,559	B1	1/2001	Tiramani et al.	
6,347,847	B1	2/2002	Tiramani et al.	
6,367,631	B1	4/2002	Steigerwald	
6,371,320	B2	4/2002	Sagol	
6,431,580	B1	8/2002	Kady	
6,547,347	B2	4/2003	Saito et al.	
6,601,930	B2	8/2003	Tiramani et al.	
6,619,772	B2	9/2003	Dierbeck	
6,637,707	B1	10/2003	Gates et al.	
6,641,013	B2	11/2003	Dise	
6,945,546	B2	9/2005	Guirlinger	
6,948,691	B2	9/2005	Brock et al.	
6,983,946	B2	1/2006	Sullivan et al.	
7,044,484	B2	5/2006	Wang	
7,066,475	B2	6/2006	Barnes	
D525,789	S	8/2006	Hosking	
7,147,243	B2	12/2006	Kady	
7,263,742	B2	9/2007	Valentini	
7,367,571	B1	5/2008	Nichols	
7,503,569	B2	3/2009	Duvigneau	
7,658,887	B2	2/2010	Hovatter	
7,780,026	B1	8/2010	Zuckerman	
7,841,144	B2	11/2010	Pervan	
D630,851	S	1/2011	Landau et al.	
8,028,845	B2	10/2011	Himes	
D653,832	S *	2/2012	Vilkomirski	D34/25
8,132,819	B2	3/2012	Landau et al.	
8,177,463	B2	5/2012	Walker	
D661,858	S *	6/2012	Lifshitz	D34/25
8,191,910	B2	6/2012	Landau et al.	
D663,952	S	7/2012	Crevling, Jr. et al.	
D664,354	S	7/2012	Crevling, Jr. et al.	
D674,605	S	1/2013	Vilkomirski et al.	
8,454,033	B2	6/2013	Tsai	
8,459,495	B2	6/2013	Koenig et al.	
8,505,729	B2 *	8/2013	Sosnovsky	B25H 3/021 206/503
8,567,796	B2 *	10/2013	Bar-Erez	B25H 3/023 280/47.18
8,677,661	B2	3/2014	Michels et al.	
D701,696	S	4/2014	Shitrit et al.	
8,689,396	B2	4/2014	Wolfe et al.	

(56)

References Cited

U.S. PATENT DOCUMENTS

2013/0121783 A1 5/2013 Kelly
 2013/0127129 A1 5/2013 Bensman et al.
 2013/0223971 A1 8/2013 Grace, IV
 2014/0161518 A1 6/2014 Ko
 2014/0166516 A1 6/2014 Martinez et al.
 2015/0376917 A1* 12/2015 Brunner E05B 65/463
 312/108
 2016/0023349 A1 1/2016 Hoppe et al.
 2016/0130034 A1 5/2016 Kuhls et al.
 2016/0144500 A1 5/2016 Chen
 2016/0168880 A1 6/2016 Phelan
 2017/0121056 A1 5/2017 Wang
 2017/0138382 A1 5/2017 Ko
 2017/0165828 A1 6/2017 Fleischmann
 2017/0166352 A1 6/2017 Hoppe et al.
 2017/0174392 A1 6/2017 De Loynes
 2017/0217464 A1 8/2017 Bar-Erez et al.
 2017/0239808 A1 8/2017 Hoppe et al.
 2017/0257958 A1 9/2017 Sabbag et al.
 2017/0266804 A1 9/2017 Kinsky
 2017/0318927 A1 11/2017 Kraus et al.
 2018/0044059 A1* 2/2018 Brunner B25H 3/02
 2018/0161975 A1 6/2018 Brunner
 2018/0186513 A1 7/2018 Brunner
 2018/0220758 A1 8/2018 Burchia
 2018/0290288 A1 10/2018 Brunner
 2019/0002004 A1 1/2019 Brunner
 2019/0039781 A1 2/2019 Kogel et al.
 2019/0106244 A1 4/2019 Brunner et al.
 2019/0225371 A1 7/2019 Hoppe

FOREIGN PATENT DOCUMENTS

CN 101068661 A 11/2007
 CN 102248523 A 11/2011
 CN 102469899 A 5/2012
 CN 102834035 A 12/2012
 CN 103118578 A 5/2013
 DE 3510307 A1 9/1986
 DE 9313802 U1 1/1994
 DE 4415638 A1 11/1995
 DE 29708343 U1 8/1997
 DE 19750543 A1 5/1999
 DE 20218996 U1 3/2003
 DE 102004057870 A1 6/2006
 DE 202011002617 U1 6/2011
 DE 102010003754 A1 10/2011
 DE 102010003756 A1 10/2011
 DE 102012106482 A1 1/2014
 DE 102012220837 A1 5/2014
 DE 202015105053 U1 10/2016
 DE 202015005752 U1 11/2016
 DE 102015112204 A1 2/2017
 DE 102015013053 A1 4/2017
 EM 000705231-0001 4/2007
 EM 002419283-0001 3/2014
 EP 916302 A2 5/1999
 EP 1321247 A2 6/2003
 EP 1428764 B1 6/2004
 EP 1819487 A0 8/2007
 EP 2346741 A1 7/2011
 EP 2456341 A0 5/2012
 EP 2555660 A0 2/2013
 EP 2555661 A1 2/2013
 EP 2805799 A2 11/2014

EP 3141354 A1 3/2017
 GB 694707 A 7/1953
 GB 2047181 B 2/1983
 GB 2330521 A 4/1999
 GB 2406331 A 3/2005
 GB 2413265 A 10/2005
 JP 2003194020 A 7/2003
 JP 1276744 S 7/2006
 JP 1477050 S 8/2013
 KR 30-0271616 2/2000
 KR 30-0320243 6/2002
 TW 135074 S 6/2010
 TW 168686 S 7/2015
 TW 174412 S1 3/2016
 WO WO-2005045886 A2 5/2005
 WO WO-2007121745 A1 11/2007
 WO WO-2007121746 A2 11/2007
 WO WO-2009140965 A1 11/2009
 WO WO-2011009480 A1 1/2011
 WO WO-2013026084 A1 2/2013
 WO WO-14125488 A2 8/2014
 WO WO-2016142935 A1 9/2016
 WO WO-2017028845 A1 2/2017
 WO WO-2017191628 A1 11/2017
 WO WO-2017212840 A1 12/2017

OTHER PUBLICATIONS

Sortimo Logistixx Sortimo International GmbH, Mobile Sortimente, http://p125638.mittwaldserver.info/fileadmin/media/PDFs/Logistixx_Broschuere_DE_WEB.pdf.
 ToolGuyd. Sys-Cart Base, SYSTAINER Mounting Platform, <https://toolguyd.com/systainer-sys-cart-mounting-base/>.
 Batavia GmbH. BluCave Storage System. <https://protect-us.mimecast.com/s/5XIGCR6KypcgJnIKi9EDoim?domain=batavia.eu>.
 ITS. DEWALT 171229 Dewalt TSTAK Carrier Trolley, <https://www.its.co.uk/pd/171229-Dewalt-TSTAK-Carrier-Trolley-DEW171229.htm>.
 Youtube. TSTAK Phase 2 Upgrades Video. <https://www.youtube.com/watch?v=jb06y6J1dr4&feature=youtu.be&t=197>.
 Get Tools Direct. TSTAC Vac Rack (Suits DWV902M & DWV900L) DwV9500-XJ, <https://www.gettoolsdirect.com.au/dewalt-tstak-vac-rack-suits-dwv902m-and-dwv900l-dwv9500-xj.html>.
 ToolGuyd. RYOBI ToolBlox Tool Cabinet System, <https://toolguyd.com/ryobi-toolblox-cabinets/>.
 Batavia. BluCave Universal Storage System, <https://batavia.eu/blucave-storage-system/>.
 The Greenhead. Blitz Box—Portable Storage Box/Shelf, <https://www.thegreenhead.com/2013/03/blitz-box-portable-storage-box-shelf.php>.
 Amazon. Hopkins FloTool 91002 Thino Box with Mount, <https://www.amazon.com/exec/obidos/ASIN/B003K15F3I/20140000-20>.
 International Search Report and Written Opinion for International Application No. PCT/US2018/033161, dated Aug. 6, 2018 (14 pages).
 Non-Final Rejection issued Jun. 14, 2018 in U.S. Appl. No. 15/826,232 (12 pages).
 Final Rejection issued Nov. 28, 2018 in U.S. Appl. No. 15/826,232 (14 pages).
 Final Rejection issued Nov. 28, 2018 in U.S. Appl. No. 15/826,201 (17 pages).
 Non-Final Rejection issued Apr. 12, 2018 in U.S. Appl. No. 15/826,201 (16 pages).

* cited by examiner

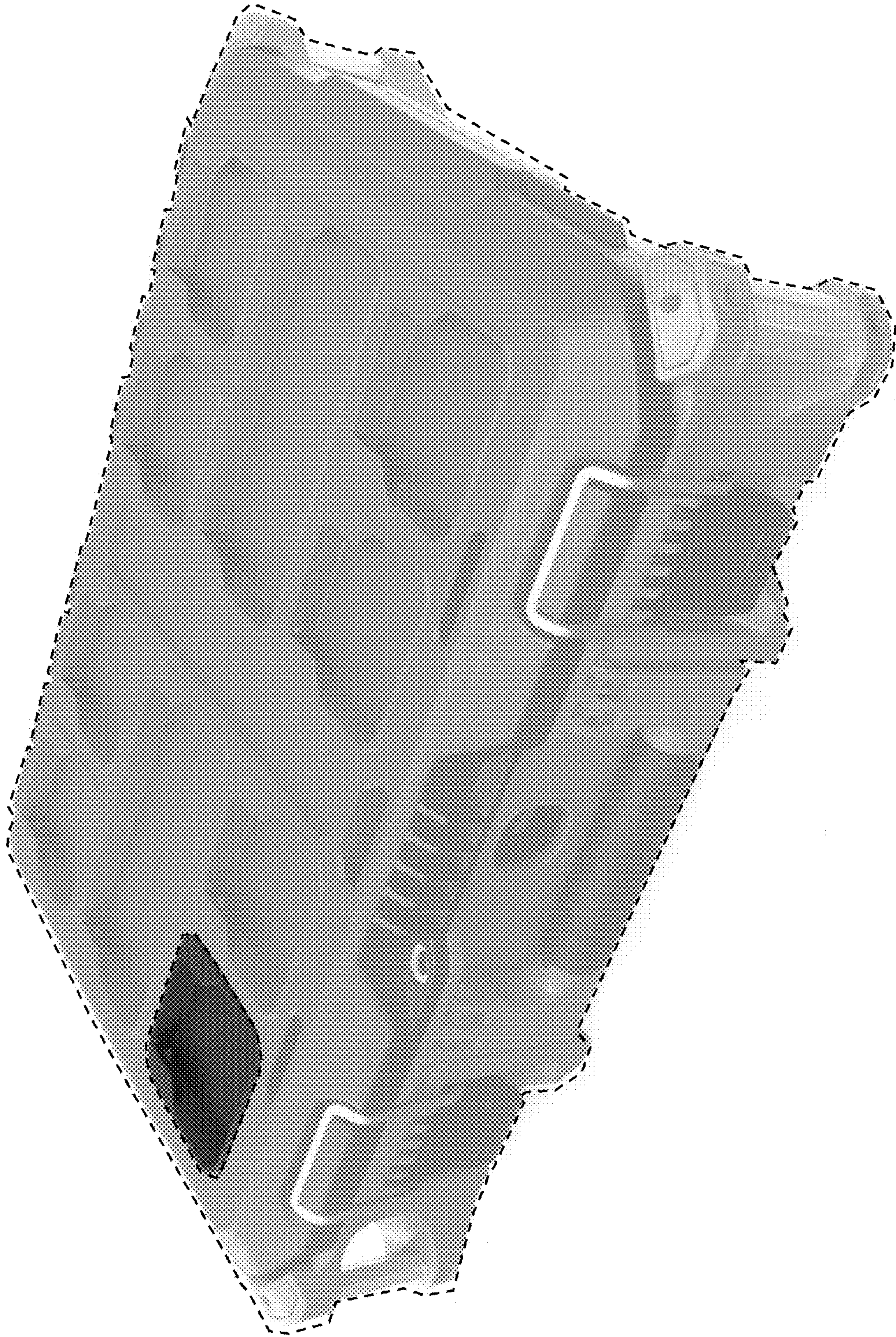


FIG. 1

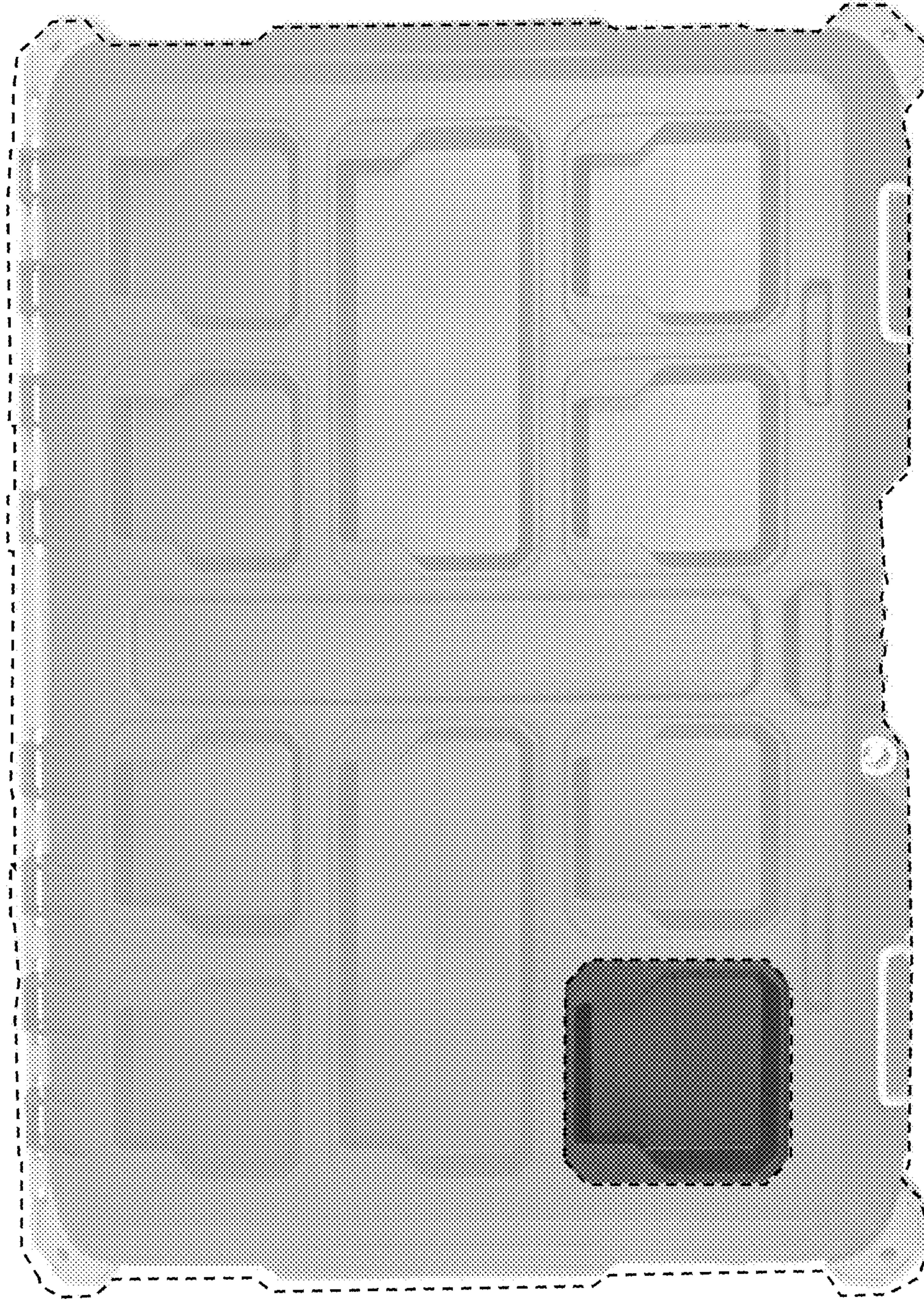


FIG. 2

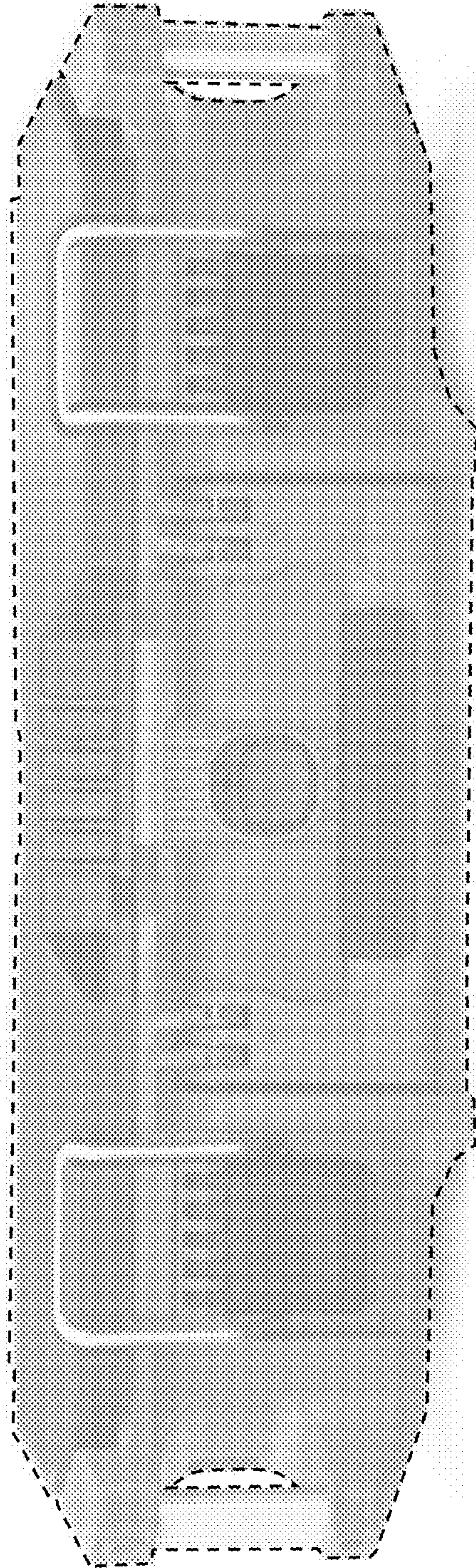


FIG. 3

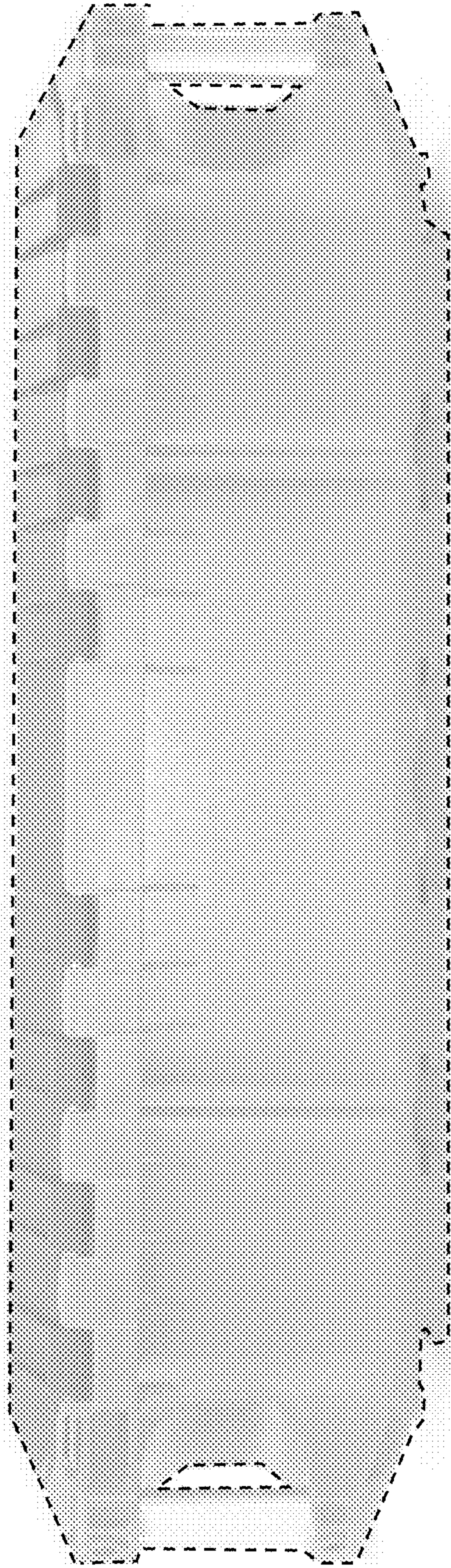


FIG. 4

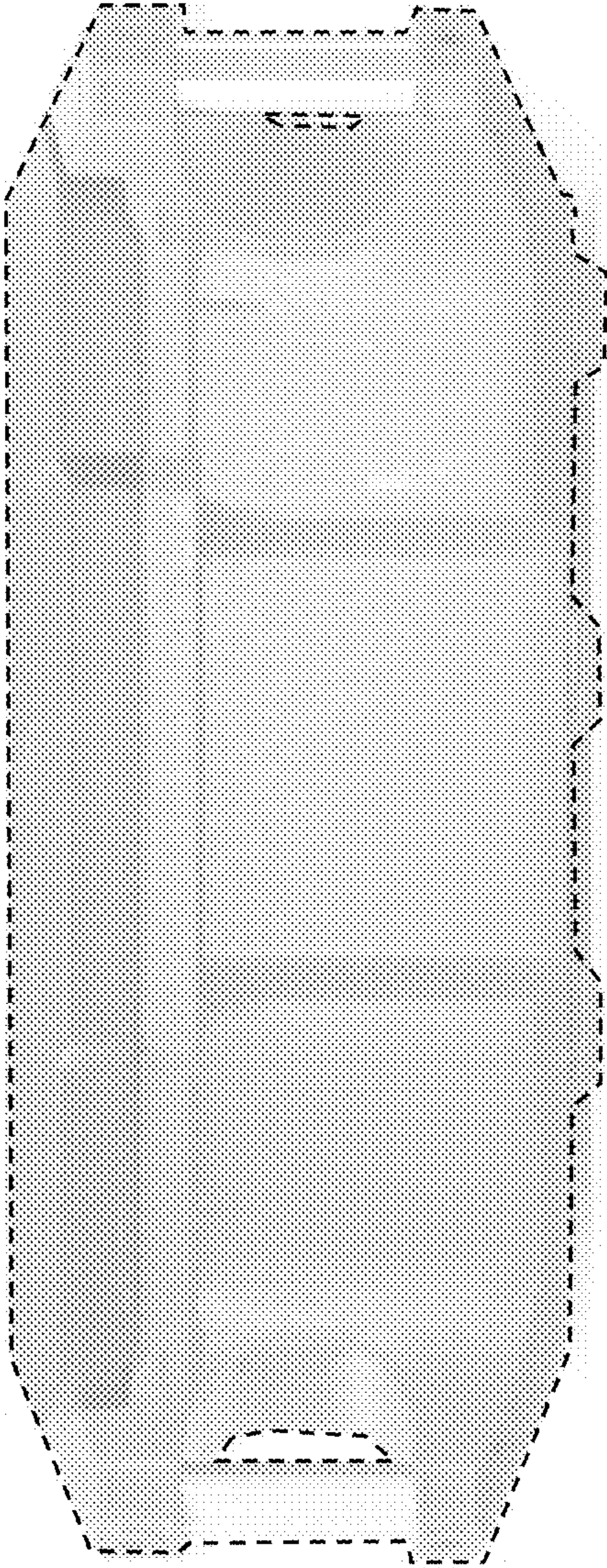


FIG. 5

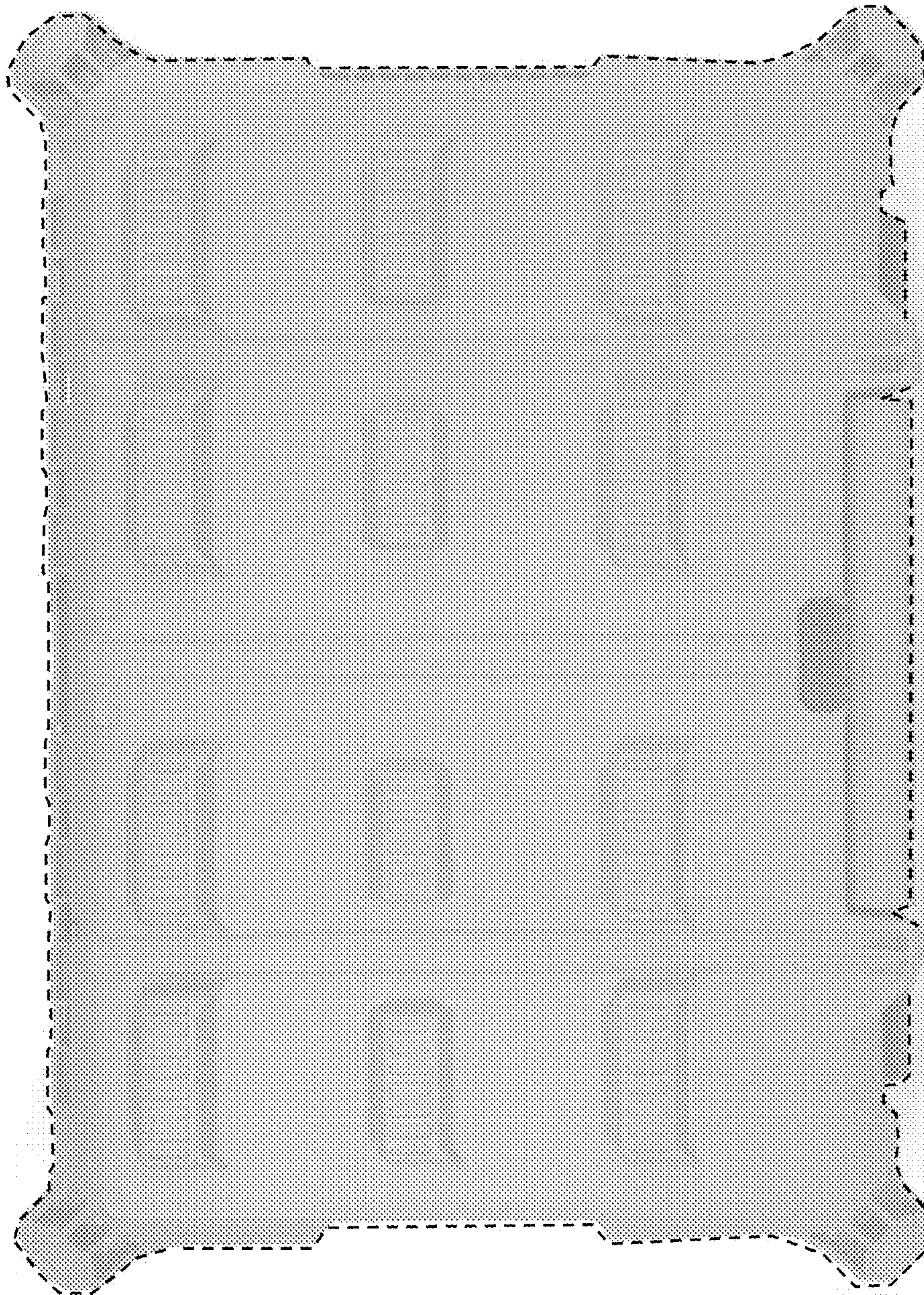


FIG. 6

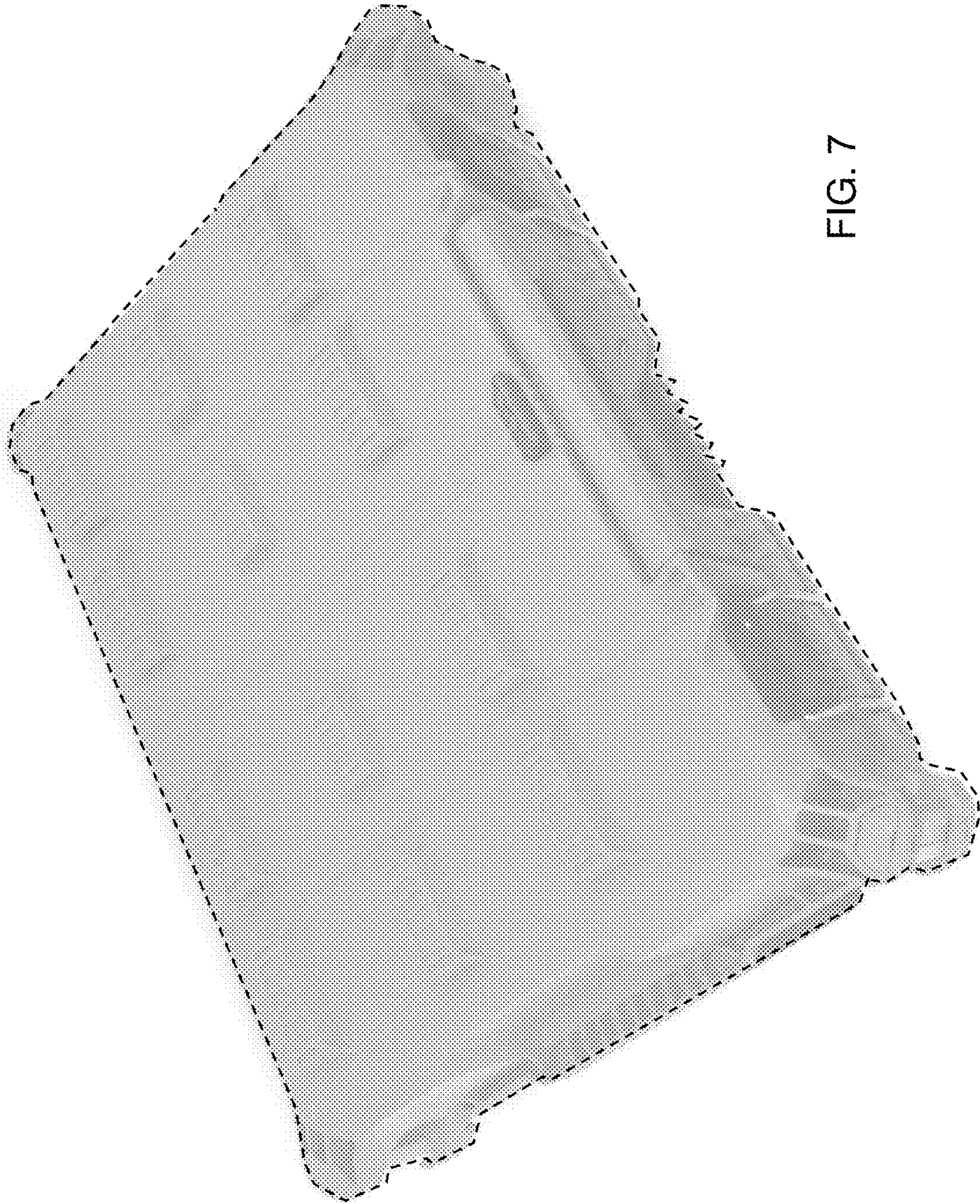


FIG. 7