



US00D895963S

(12) **United States Design Patent** (10) **Patent No.:** **US D895,963 S**
Anderson (45) **Date of Patent:** **** Sep. 15, 2020**

(54) **WALLET**
(71) Applicant: **WESTSIDE INNOVATIONS INC.,**
Surrey (CA)
(72) Inventor: **Scott D. Anderson,** Surrey (CA)
(73) Assignee: **Westside Innovations Inc.,** Surrey,
British Columbia (CA)
(**) Term: **15 Years**
(21) Appl. No.: **29/686,706**
(22) Filed: **Apr. 5, 2019**
(51) **LOC (12) Cl.** **03-01**
(52) **U.S. Cl.**
USPC **D3/247**
(58) **Field of Classification Search**
USPC D3/247, 249–253
CPC A45C 1/06; A45C 3/08
See application file for complete search history.

D814,183 S * 4/2018 Haarburger D3/247
D817,316 S * 5/2018 Srour D14/251
10,080,409 B2 * 9/2018 King A45C 11/182
D831,349 S * 10/2018 Deng D3/247
D835,410 S * 12/2018 Chan D3/247

* cited by examiner

Primary Examiner — Holly H Baynham
(74) *Attorney, Agent, or Firm* — Kanika Radhakrishnan;
Evergreen Valley Law Group

(57) **CLAIM**

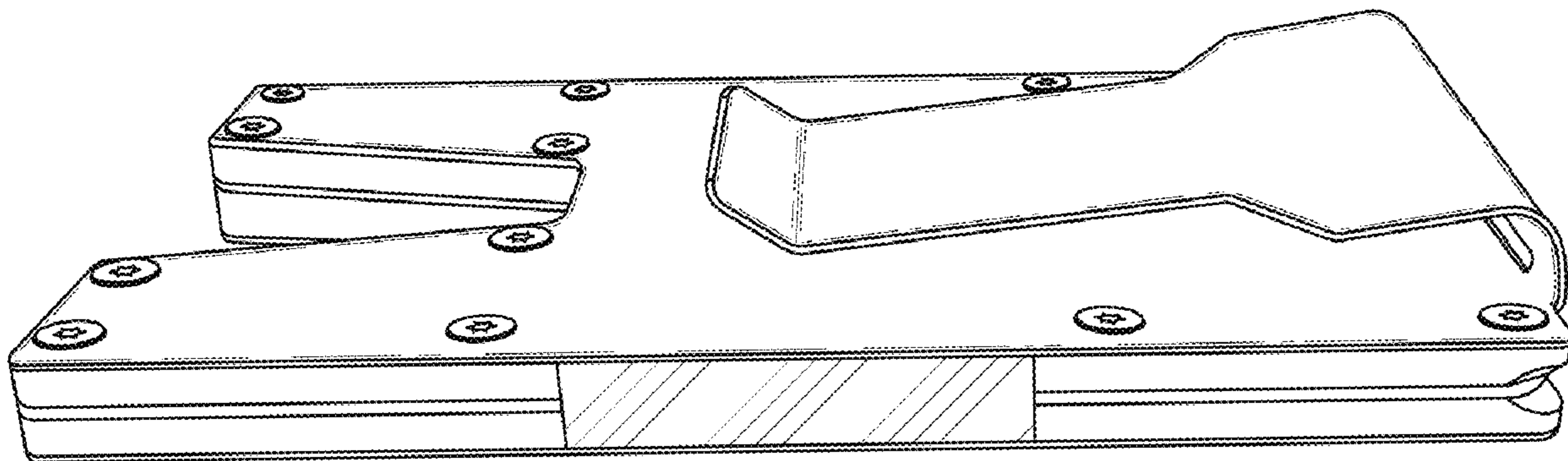
The ornamental design for a “wallet,” as shown and described.

DESCRIPTION

FIG. 1 is a perspective view of a wallet, in accordance with an embodiment of the present disclosure; FIG. 2 is a top view of the wallet of FIG. 1; FIG. 3 is a bottom view of the wallet of FIG. 1; FIG. 4 is a left side view of the wallet of FIG. 1, the right side being a mirror image thereof; FIG. 5 is an enlarged front view of the wallet of FIG. 1; FIG. 6 is a rear view of the wallet of FIG. 1; FIG. 7 is a perspective view of the wallet of FIG. 1 in closed position holding multiple cards and a currency bill; and, FIG. 8 is a perspective view of the wallet of FIG. 1 in open position holding multiple cards and a currency bill. The evenly spaced broken lines showing currency and a partial hand are for the purposes of illustrating environment and form no part of the claimed design. The dot-dashed lines represent stitching and form no part of the claimed design.

1 Claim, 8 Drawing Sheets

(56) **References Cited**
U.S. PATENT DOCUMENTS
D653,851 S 2/2012 Flyvholm
D690,931 S * 10/2013 Minn D3/247
D695,013 S * 12/2013 Minn D3/247
D718,525 S 12/2014 Kim
D745,273 S 12/2015 Hageman et al.
D745,274 S 12/2015 Minn et al.
D768,383 S * 10/2016 Wu D3/247
D775,824 S * 1/2017 King D3/247
D780,449 S * 3/2017 King D3/247
D782,189 S 3/2017 Bauer et al.
D798,591 S * 10/2017 King D3/247
D806,386 S * 1/2018 King D3/247
D814,182 S * 4/2018 Haarburger D3/247



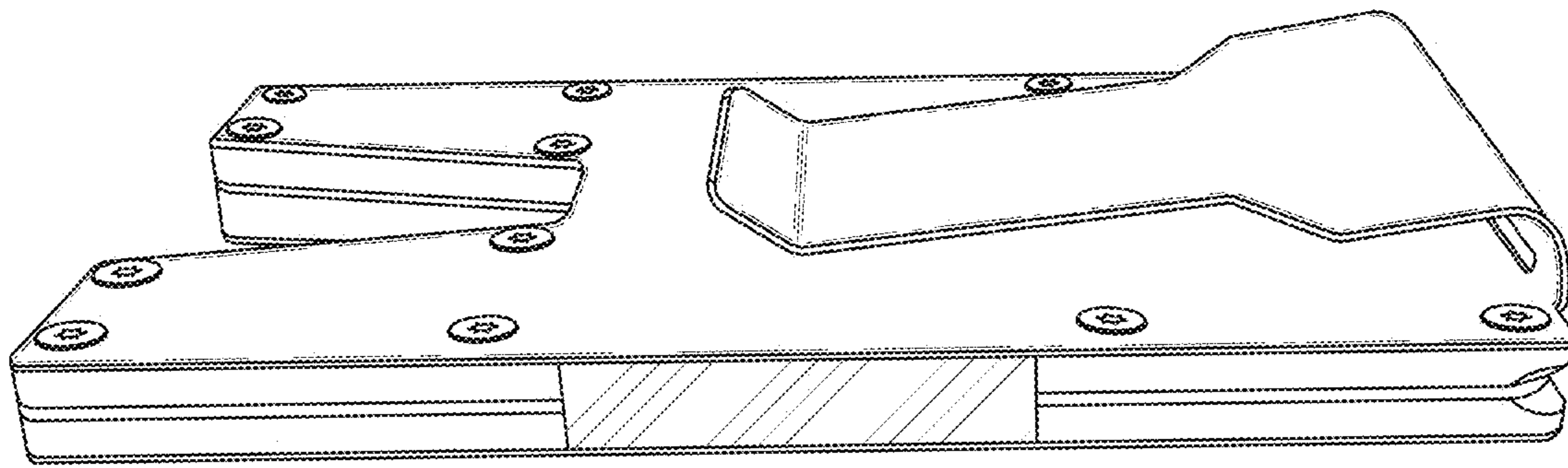


FIG. 1

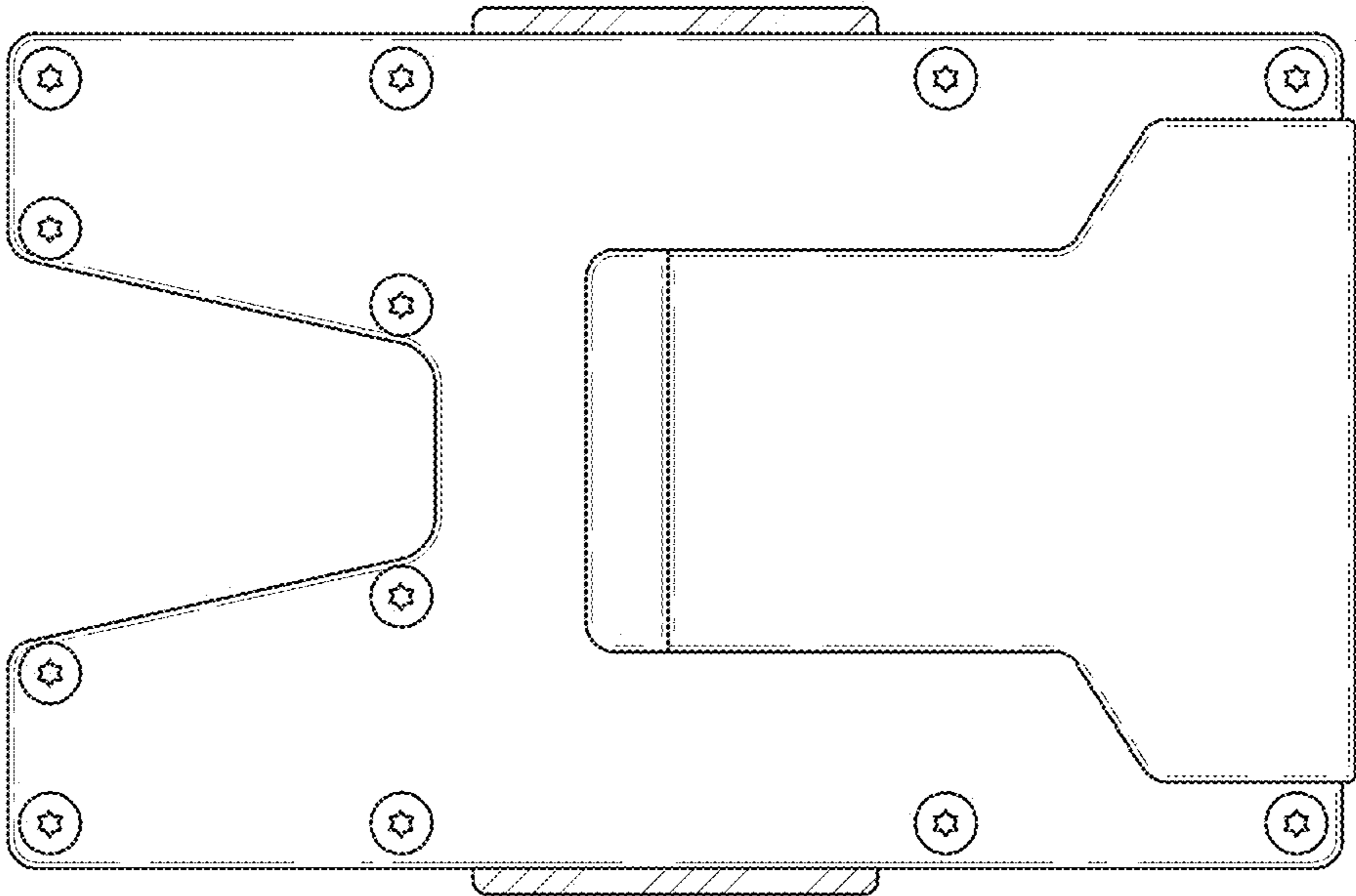


FIG. 2

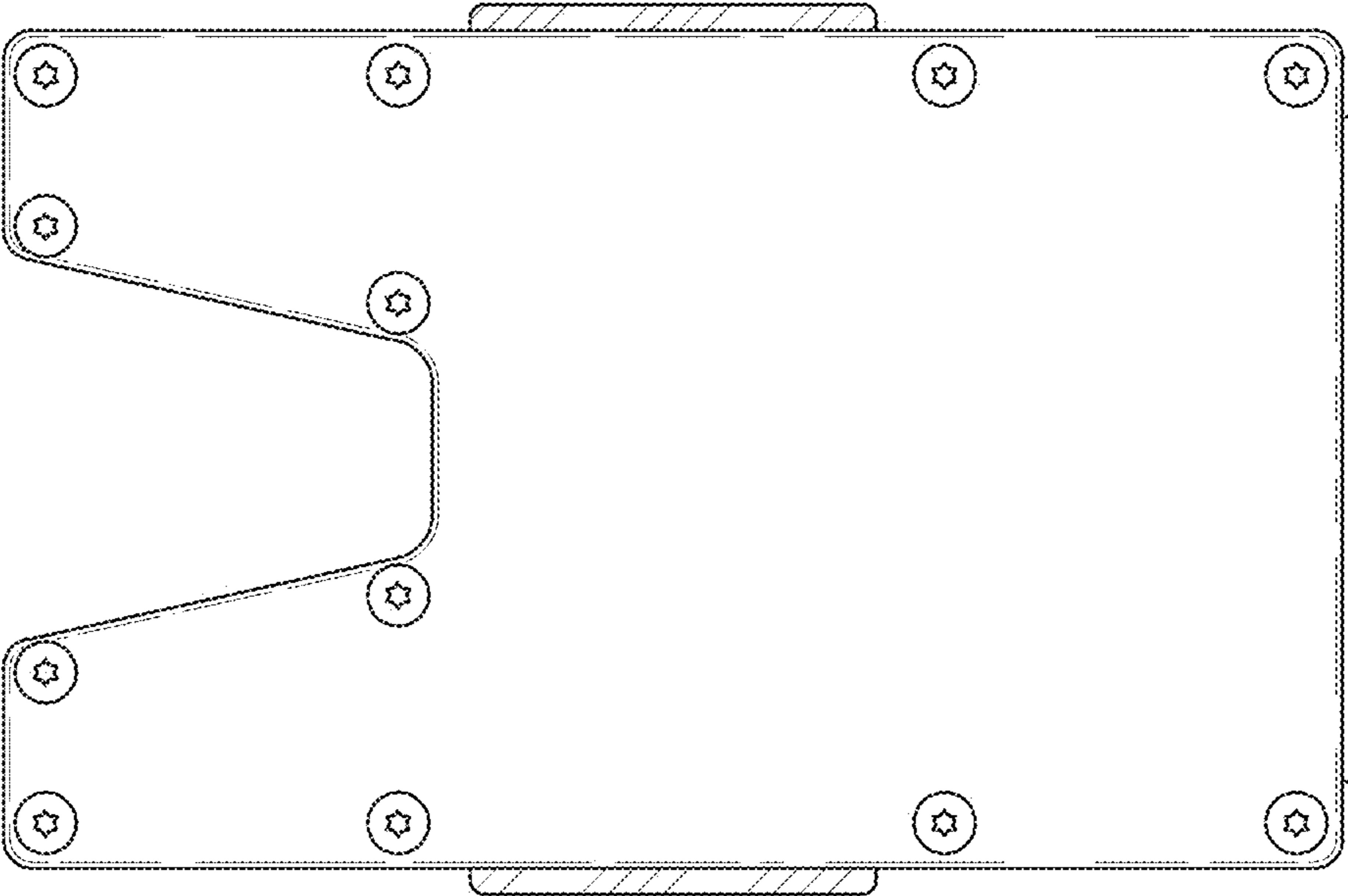


FIG. 3

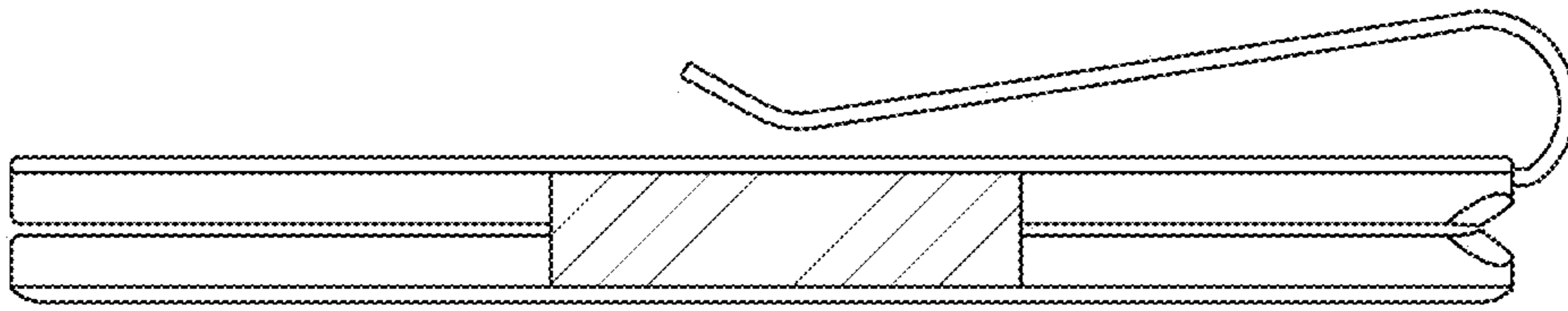


FIG. 4

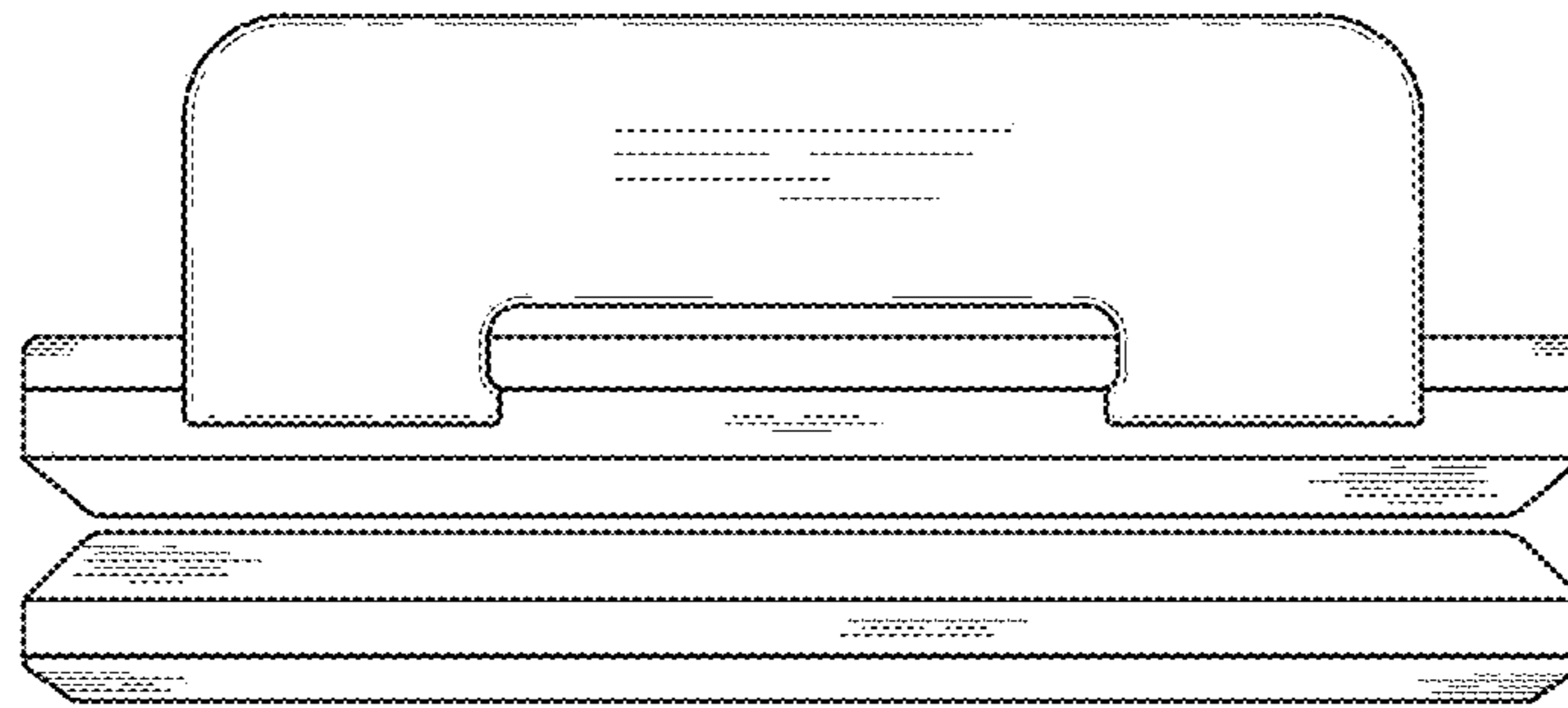


FIG. 5

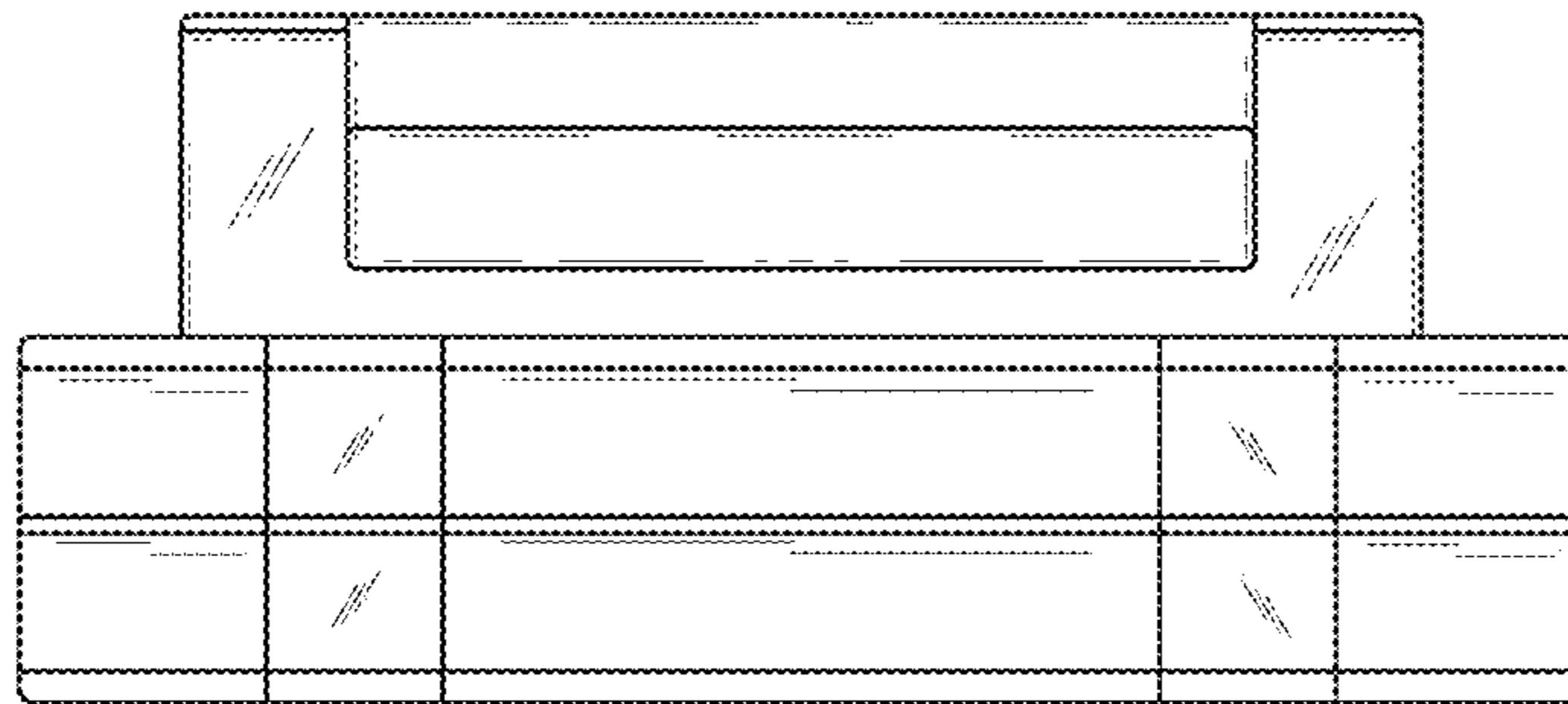


FIG. 6

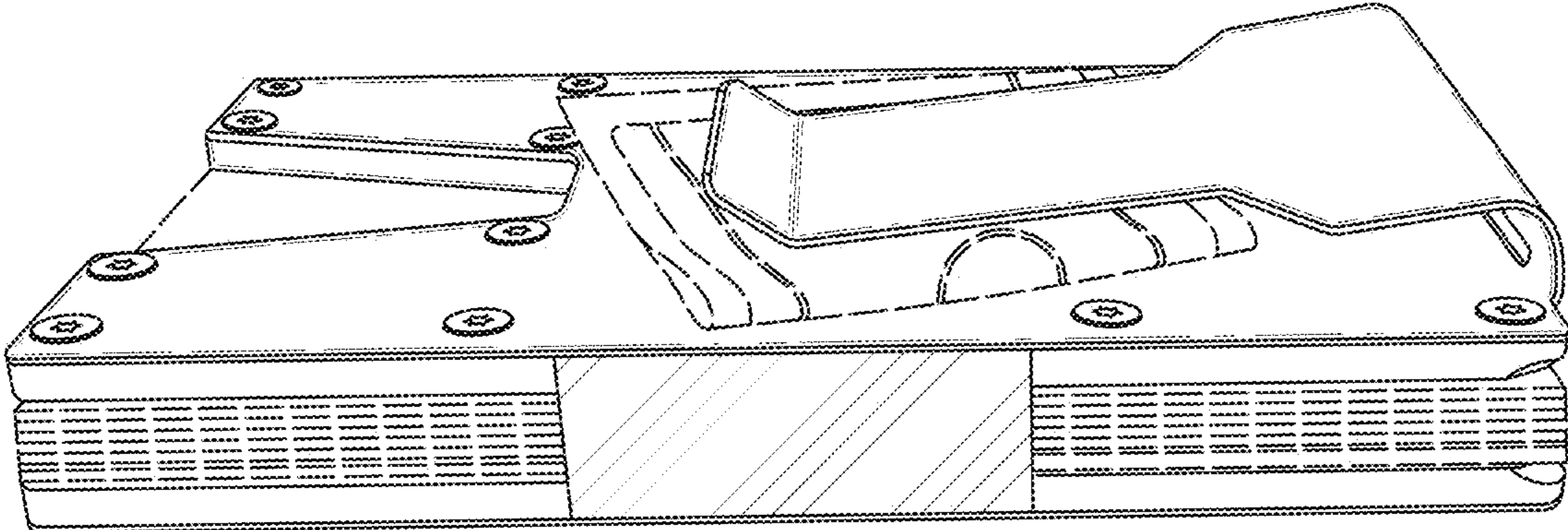


FIG. 7

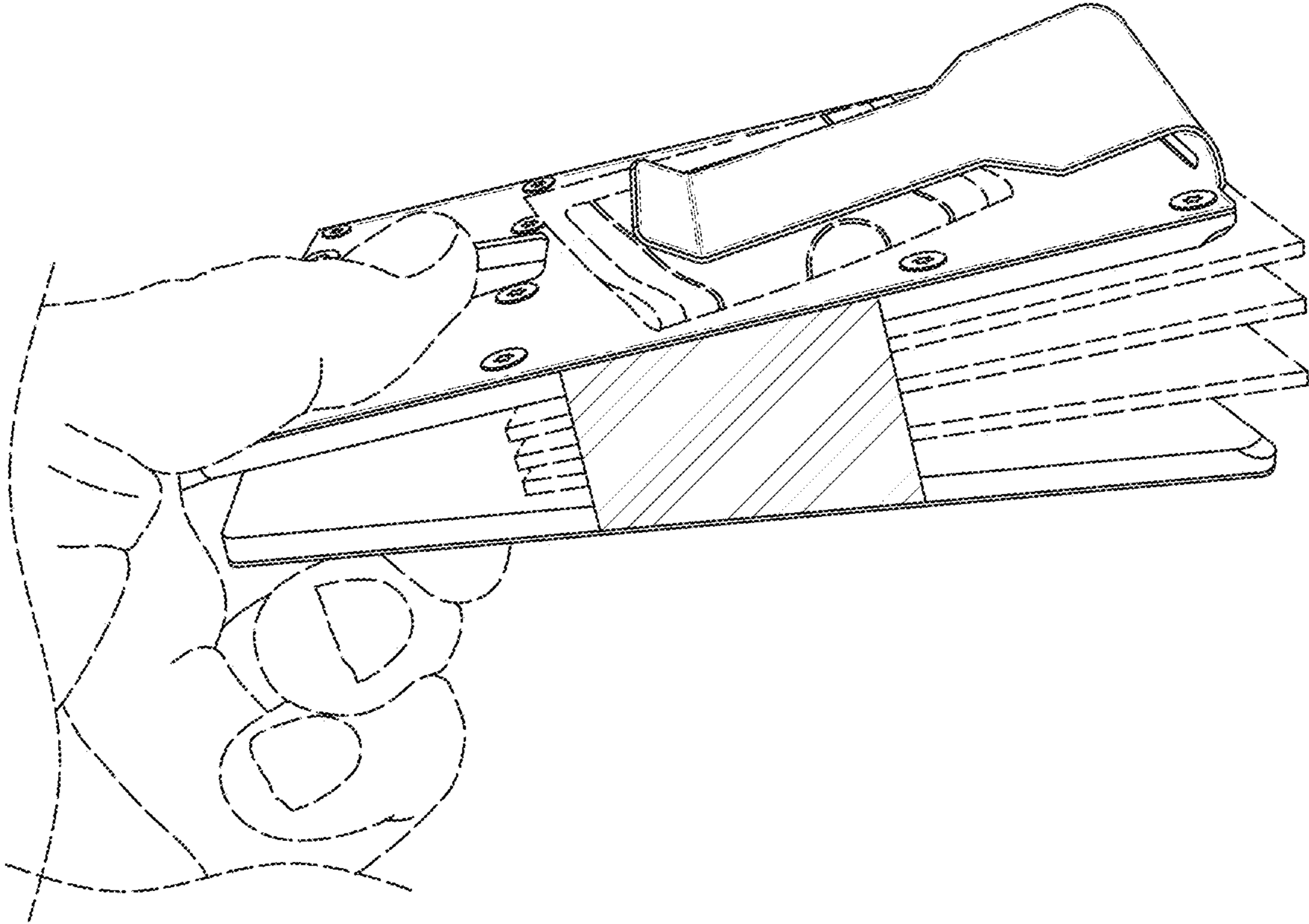


FIG. 8