



US00D895962S

(12) **United States Design Patent** (10) **Patent No.:** **US D895,962 S**
Main (45) **Date of Patent:** **** Sep. 15, 2020**

(54) **FIREARM HOLSTER**
(71) Applicant: **BLACKPOINT TACTICAL LLC**,
Alpharetta, GA (US)
(72) Inventor: **Adam Main**, Alpharetta, GA (US)
(73) Assignee: **BLACKPOINT TACTICAL LLC**,
Alpharetta, GA (US)

4,398,655 A * 8/1983 Perry F41C 33/0209
224/191
D773,806 S * 12/2016 Laemmlen F41C 33/048
D3/222
D780,438 S * 3/2017 Marques D3/222
D840,147 S * 2/2019 Shults D3/222

(**) Term: **15 Years**

(21) Appl. No.: **29/693,232**

(22) Filed: **May 31, 2019**

(51) **LOC (12) Cl.** **03-01**

(52) **U.S. Cl.**
USPC **D3/222**

(58) **Field of Classification Search**
USPC D3/222-223; 224/183, 191-193,
224/238-239, 243-244, 587, 672,
224/911-912

CPC A45F 5/00; A45F 5/02; A45F 2003/003;
A45F 2200/0591; A45F 2200/105; F41C
33/02; F41C 33/0209; F41C 33/0227;
F41C 33/0236; F41C 33/041; F41C
33/0263; F41C 33/048

See application file for complete search history.

(56) **References Cited**

U.S. PATENT DOCUMENTS

3,923,214 A * 12/1975 Kippen F41C 33/0209
224/243
4,062,481 A * 12/1977 Clark F41C 33/0236
224/243

OTHER PUBLICATIONS

Blackhawk T-Series L2C Compact Holster, Glock 19/26/27,
sportsmansguide.com (Year: 2020).*

* cited by examiner

Primary Examiner — Catherine R Oliver-Garcia
(74) *Attorney, Agent, or Firm* — Eversheds Sutherland
(US) LLP

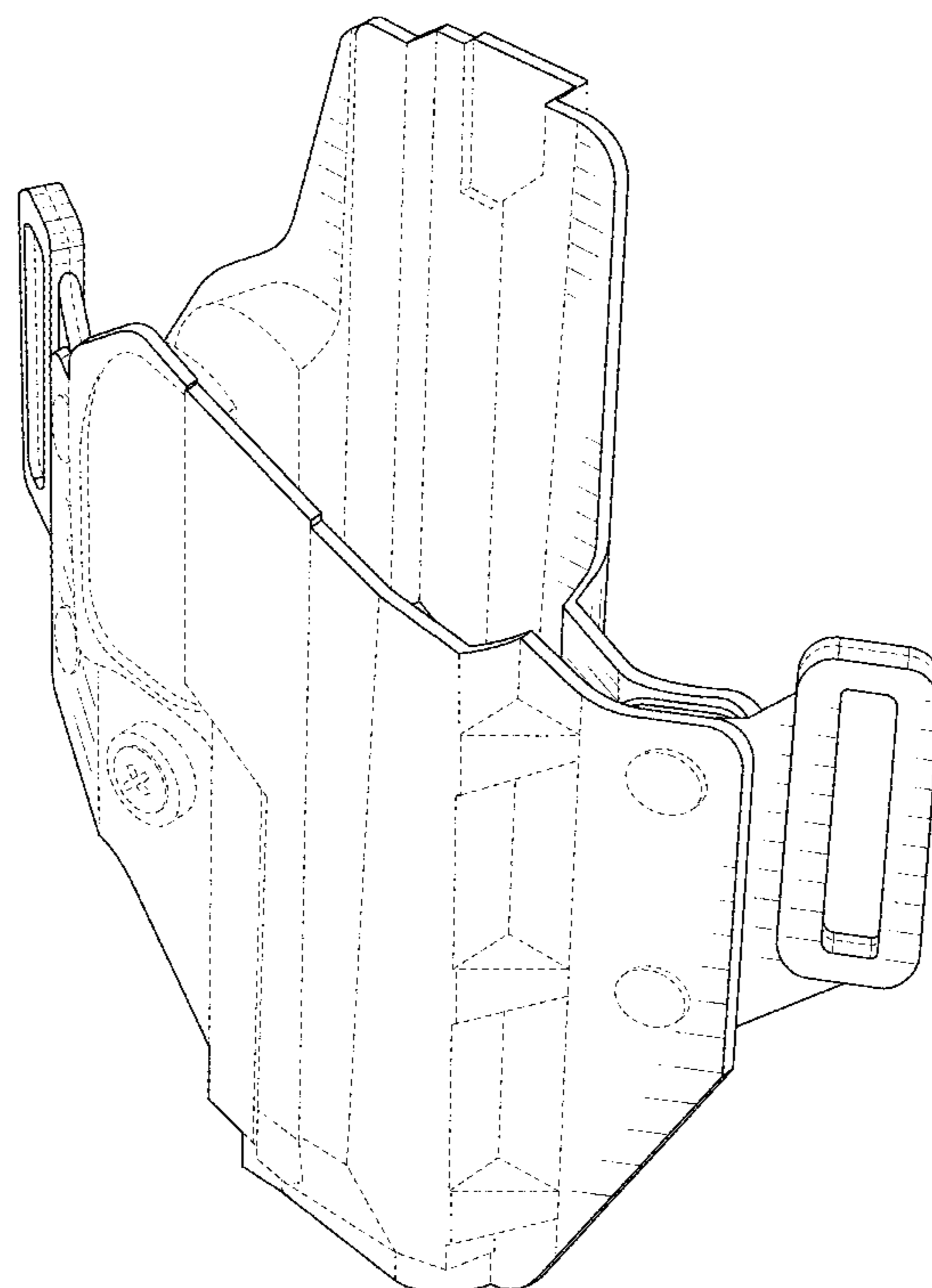
(57) **CLAIM**

The ornamental design for a firearm holster, as shown and
described.

DESCRIPTION

FIG. 1 is an upper perspective view of a firearm holster;
FIG. 2 is a front view thereof;
FIG. 3 is a rear view thereof;
FIG. 4 is a first side view thereof;
FIG. 5 is a second side view thereof; and,
FIG. 6 is a top view thereof.
In the figures, the broken lines are for illustrative purposes
only and form no part of the claimed design.

1 Claim, 5 Drawing Sheets



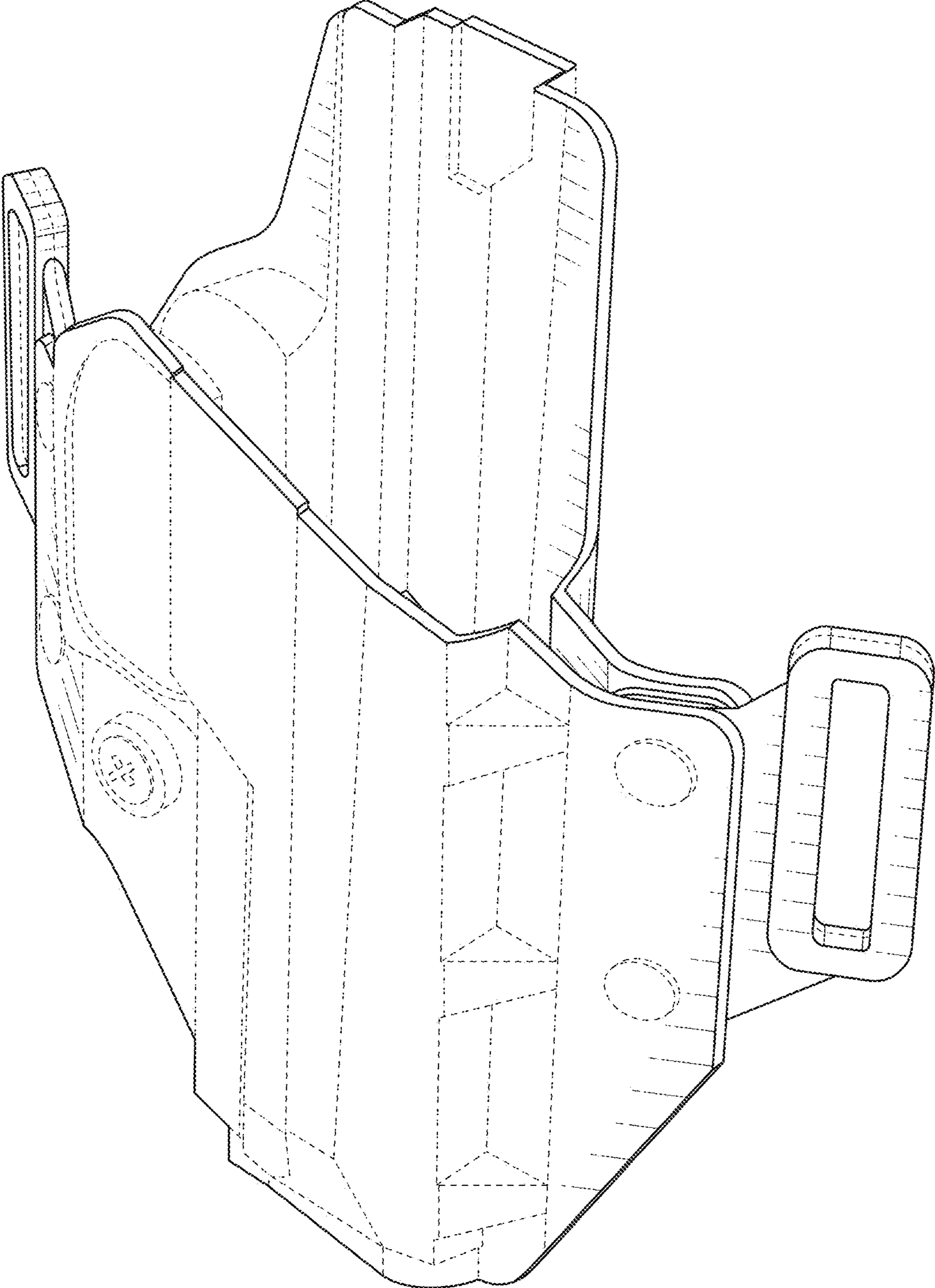


FIG. 1

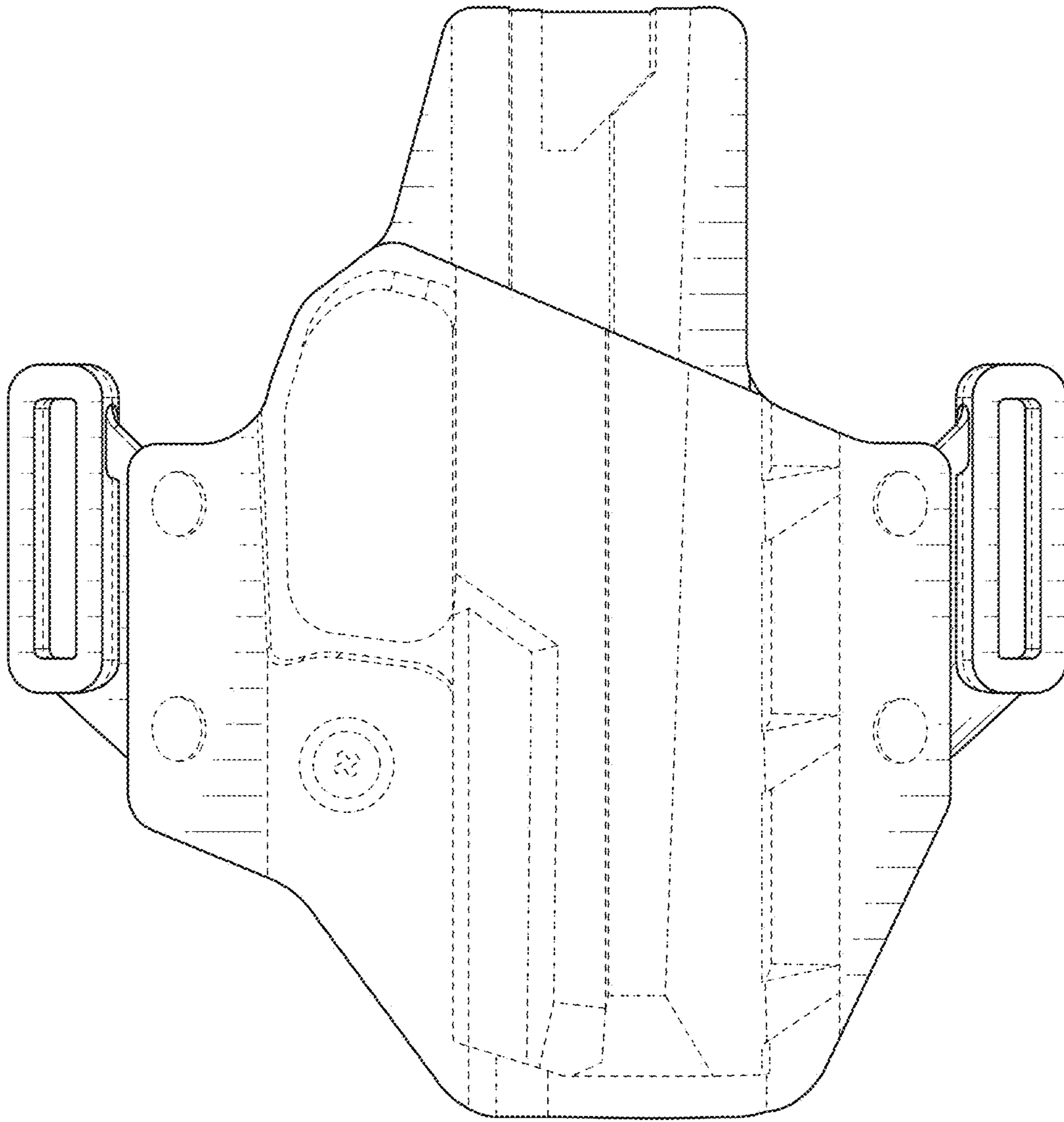


FIG. 2

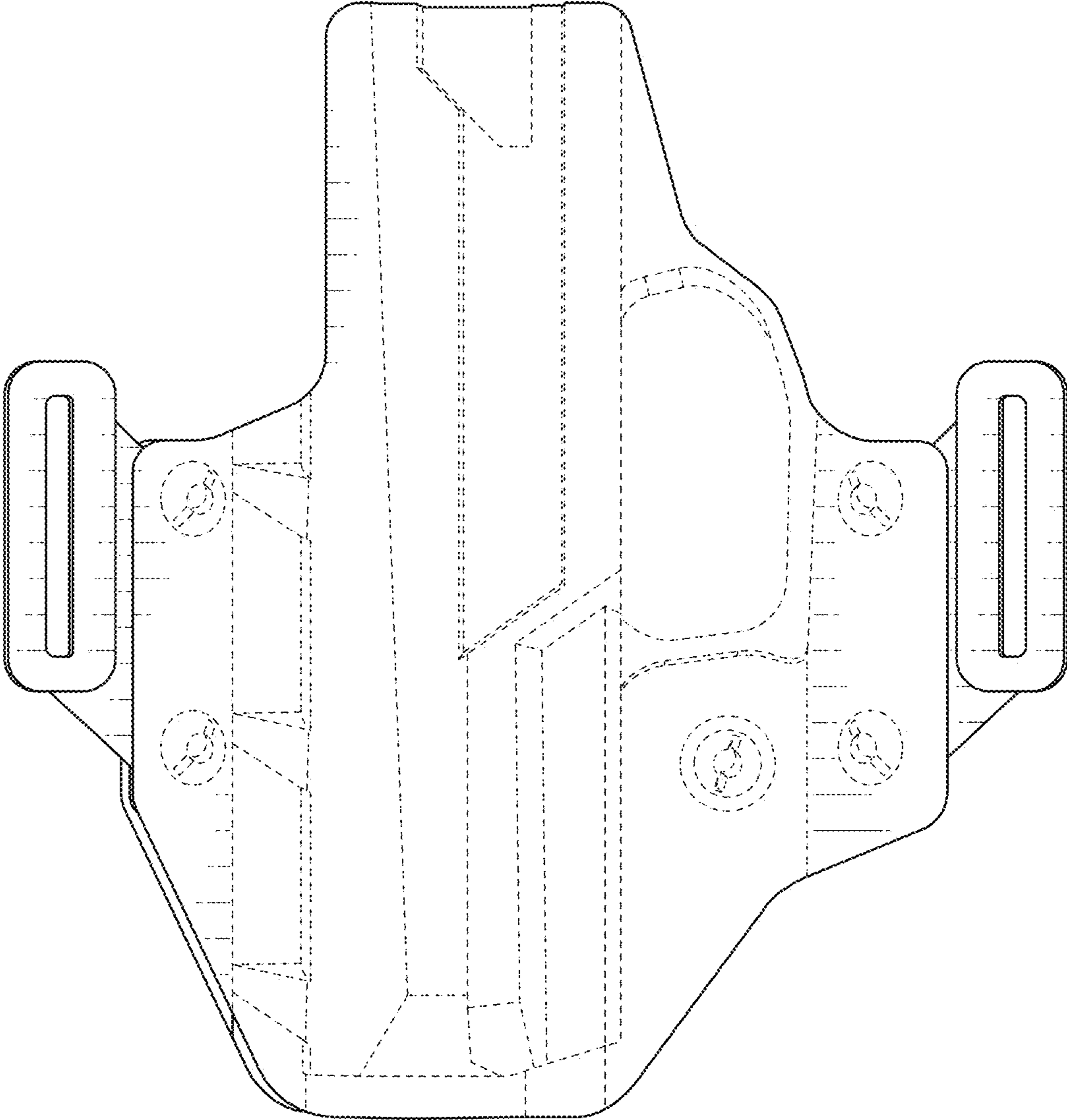


FIG. 3

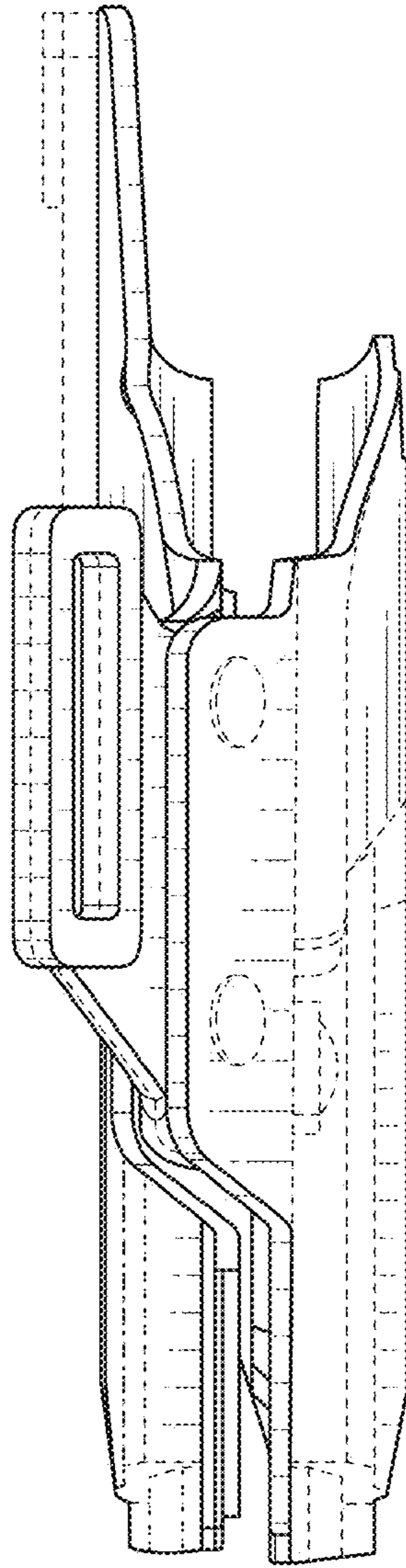


FIG. 4

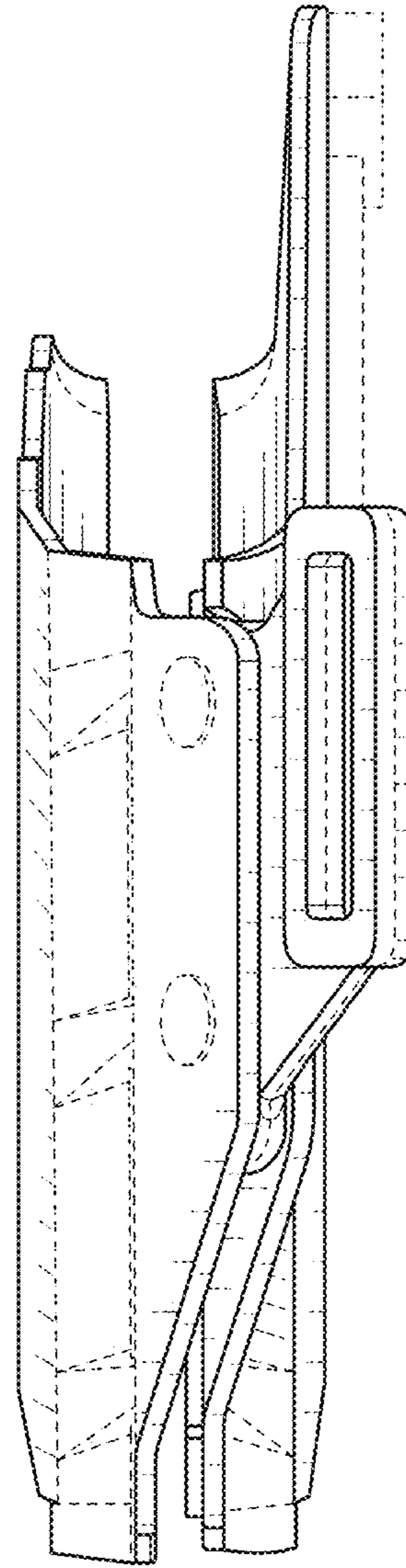


FIG. 5

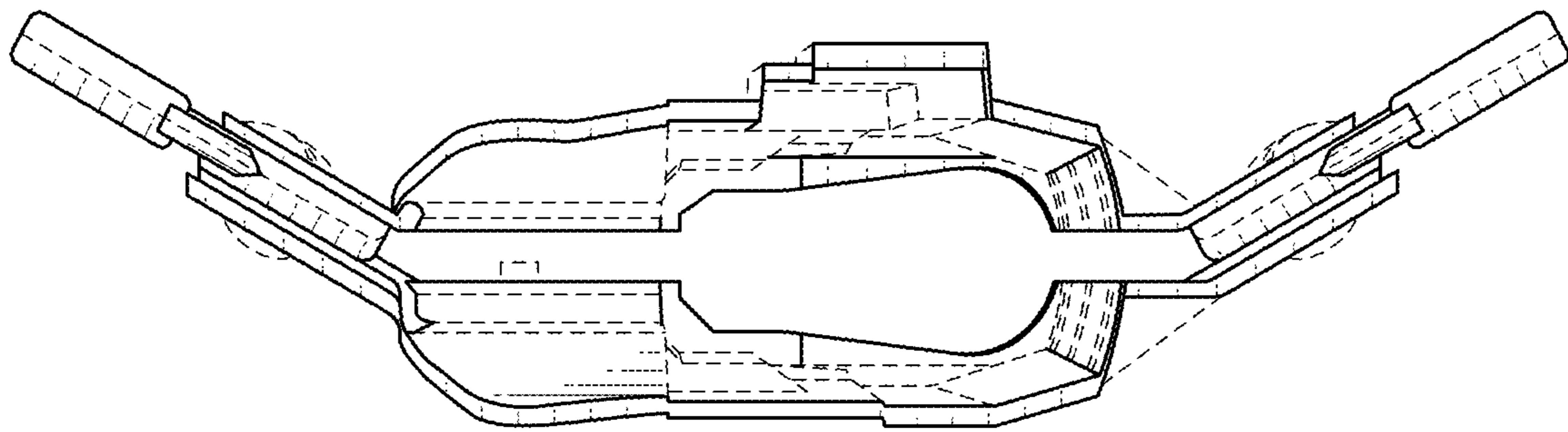


FIG. 6