



US00D895961S

(12) **United States Design Patent** (10) **Patent No.:** **US D895,961 S**
Swan et al. (45) **Date of Patent:** **** Sep. 15, 2020**

- (54) **MULTI-PIECE TACTICAL GEAR BELT MOUNT WITH INSERT**
- (71) Applicant: **S&S Precision, LLC**, Virginia Beach, VA (US)
- (72) Inventors: **Johnny E. Swan**, Virginia Beach, VA (US); **Andrew C. Borland**, Virginia Beach, VA (US); **William-Joseph Basan Elizalde**, Virginia Beach, VT (US)
- (73) Assignee: **S&S Precision, LLC**, Virginia Beach, VA (US)
- (**) Term: **15 Years**
- (21) Appl. No.: **29/659,005**
- (22) Filed: **Aug. 5, 2018**
- (51) **LOC (12) Cl.** **03-01**
- (52) **U.S. Cl.**
USPC **D3/222**
- (58) **Field of Classification Search**
USPC D3/222-223; D8/356; D22/108-109; 224/191-193, 197-198, 238, 243-244, 224/676-679, 661, 911-912; 248/118.3, 248/222.51, 689
CPC A45F 5/00; A45F 5/02; A45F 5/021; A45F 2005/008; A45F 2200/0591; A45F 2003/006; F41C 33/046; F41C 33/041; F41C 33/0227; F41C 33/0263; F41C 33/045; Y10S 224/912
See application file for complete search history.

- 6,189,751 B1 * 2/2001 Tserng F41C 33/0227
224/198
- D447,979 S 9/2001 Anscher
- 6,351,876 B1 3/2002 Uehara
- D458,870 S 6/2002 Anscher
- D473,782 S 4/2003 Wu et al.
- 6,588,640 B1 * 7/2003 Rogers A45F 5/021
224/192
- D480,841 S 10/2003 Bird
- D507,509 S 7/2005 Hou
- D509,459 S 9/2005 Pontaoe
- D511,960 S 11/2005 Ogino
- D525,168 S 7/2006 Pontaoe
- D542,123 S 5/2007 Symons
- 7,320,420 B2 * 1/2008 Buis F41C 33/041
224/192
- D591,200 S 4/2009 Freeman
- D592,939 S 5/2009 Kelleghan
- D593,403 S 6/2009 Salentine
- D625,654 S 10/2010 Spater
- D625,985 S 10/2010 Mori et al.
- D630,495 S 1/2011 Allina et al.
- D635,891 S 4/2011 Grimm et al.

(Continued)

Primary Examiner — Catherine R Oliver-Garcia
 (74) *Attorney, Agent, or Firm* — Tanner IP, PLLC

(57) **CLAIM**

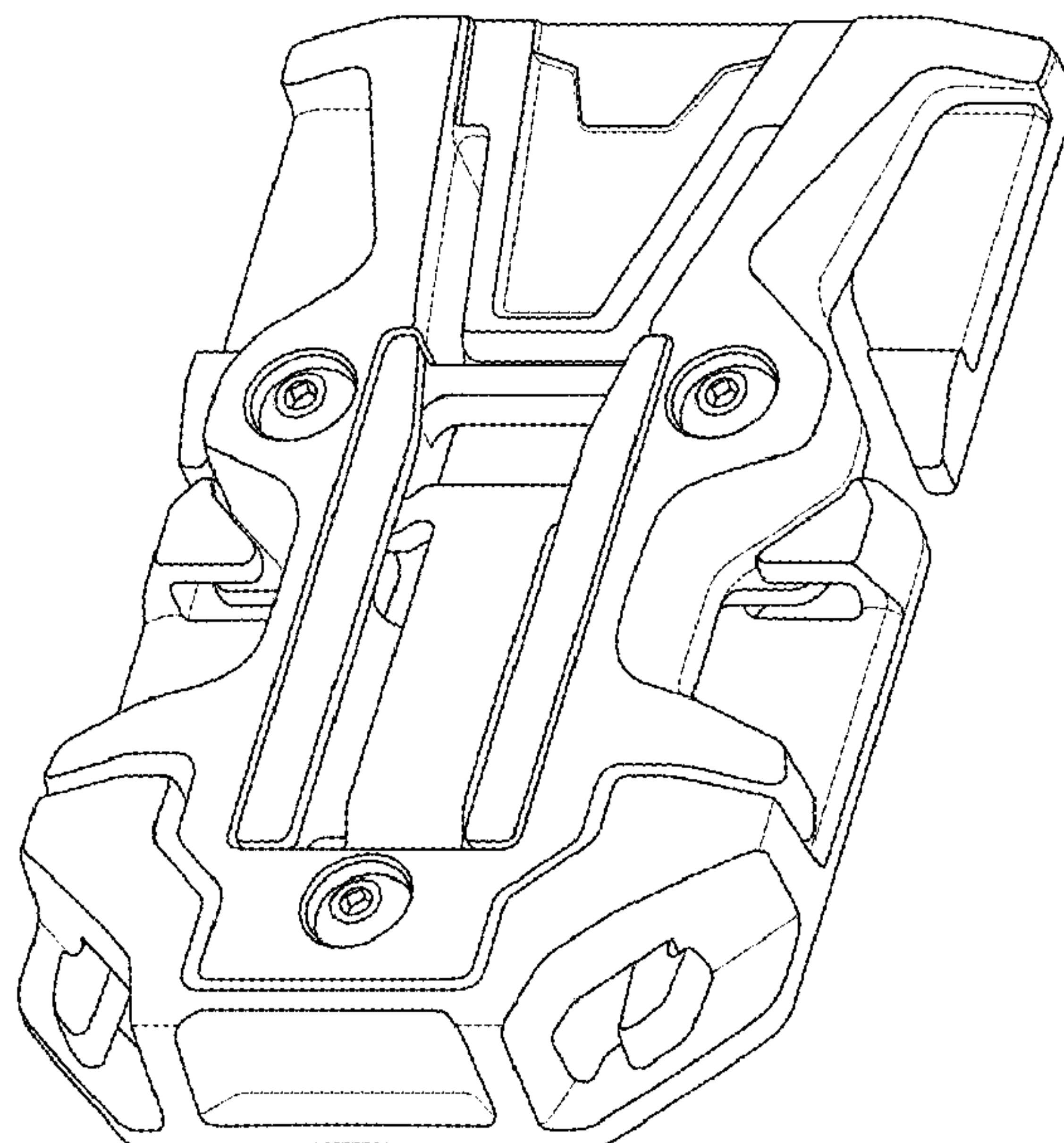
The ornamental design for a multi-piece tactical gear belt mount with insert, as shown and described.

DESCRIPTION

FIG. 1 is a front perspective view of a multi-piece tactical gear belt mount, showing our new design;
 FIG. 2 is a top plan view thereof;
 FIG. 3 is a bottom plan view thereof;
 FIG. 4 is a right side elevation view thereof;
 FIG. 5 is a left side elevation view thereof;
 FIG. 6 is a front elevation view thereof; and,
 FIG. 7 is a rear elevation view thereof.

1 Claim, 2 Drawing Sheets

- (56) **References Cited**
 U.S. PATENT DOCUMENTS
- D362,741 S 10/1995 Hollinger
 5,949,339 A 9/1999 Ettinger et al.



(56)

References Cited

U.S. PATENT DOCUMENTS

7,971,762 B2 *	7/2011	Clifton, Jr.	A45F 5/02 224/197
D649,907 S	12/2011	Kataguchi	
D661,573 S	6/2012	Paik et al.	
8,196,792 B2 *	6/2012	Clifton, Jr.	A45F 5/00 224/661
D682,663 S	5/2013	Evon	
D685,051 S	6/2013	Melville	
D687,509 S	8/2013	Iannello et al.	
D688,977 S	9/2013	Mohr	
8,523,029 B2 *	9/2013	Rogers	A45F 5/02 224/191
D695,870 S	12/2013	Melville	
D699,151 S	2/2014	Kolasa	
D699,625 S	2/2014	Grimm et al.	
D724,484 S	3/2015	Swan	
D731,294 S	6/2015	Swan	
D771,376 S	11/2016	Ray	
9,879,943 B2	1/2018	Ray	

* cited by examiner

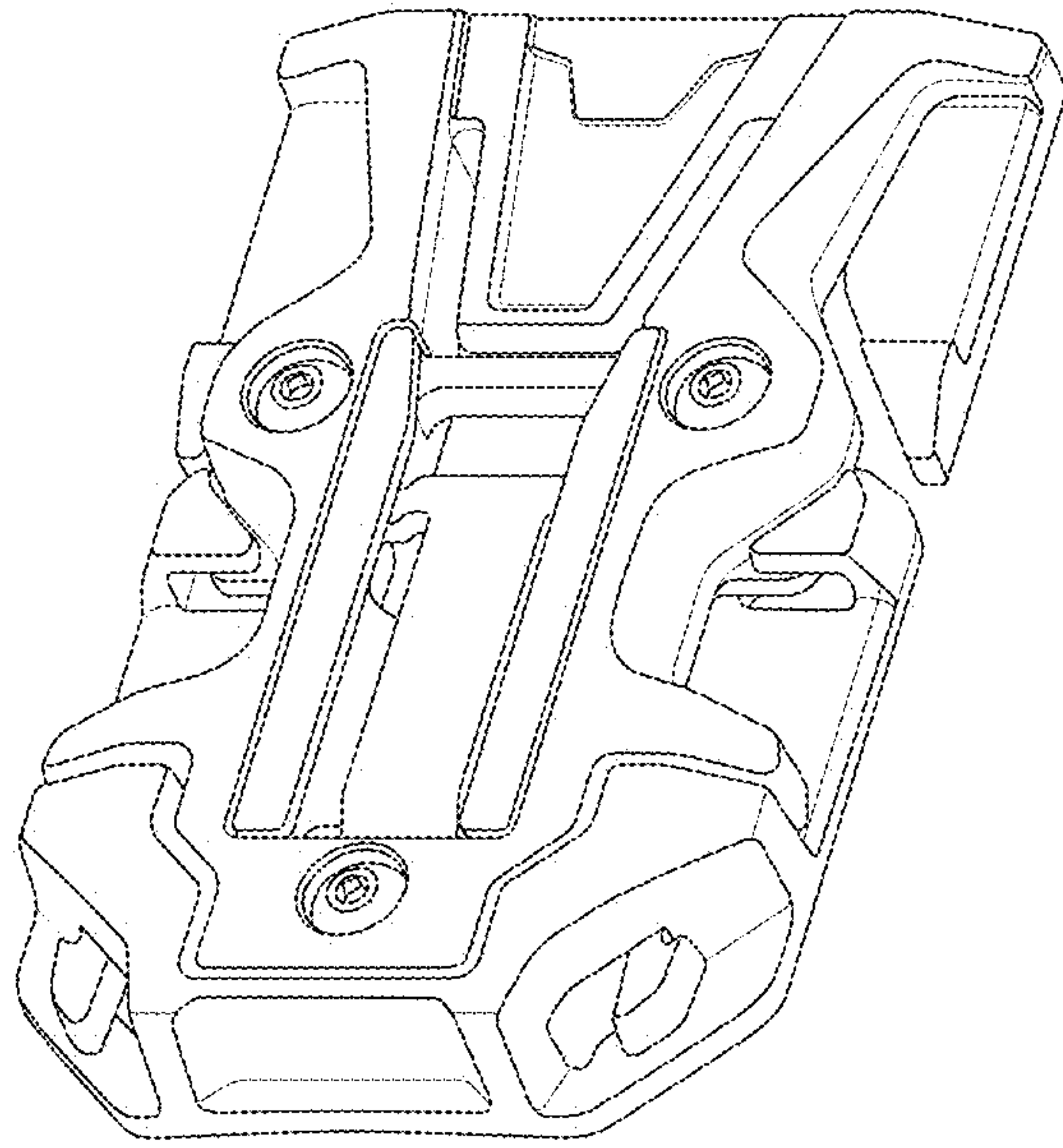


FIG. 1

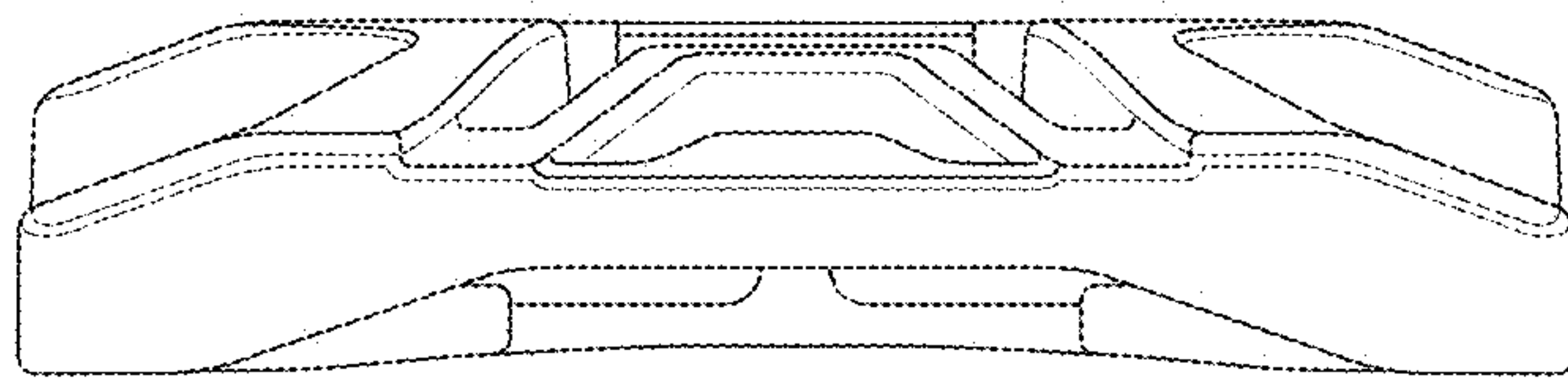


FIG. 2

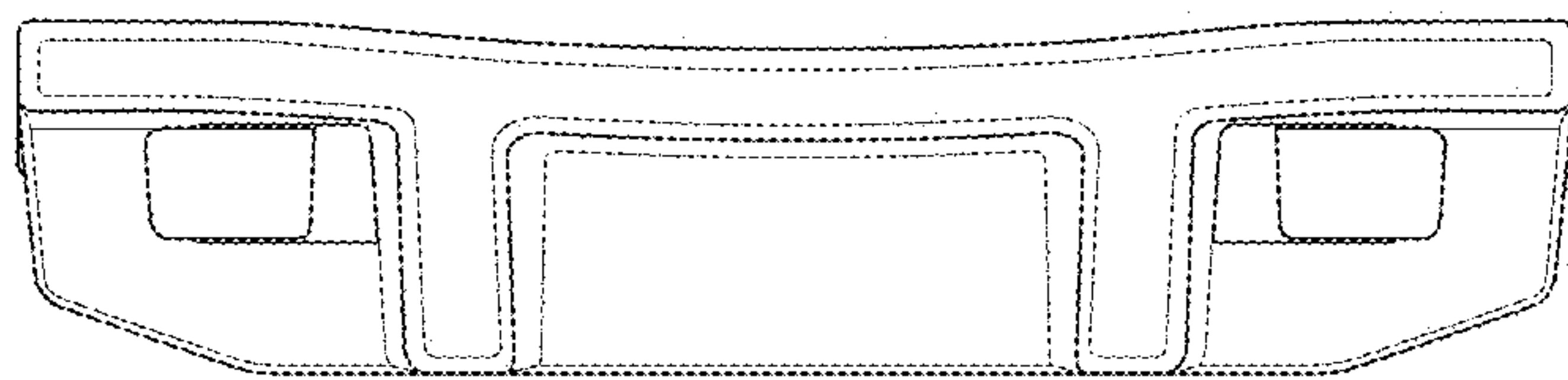


FIG. 3

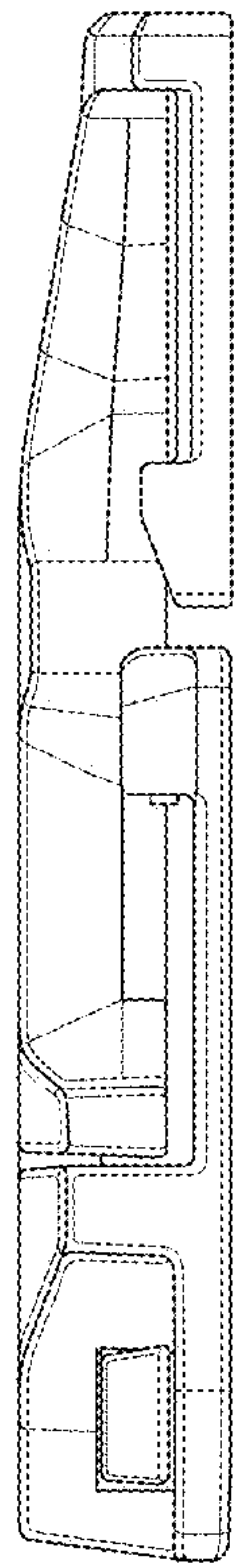


FIG. 4

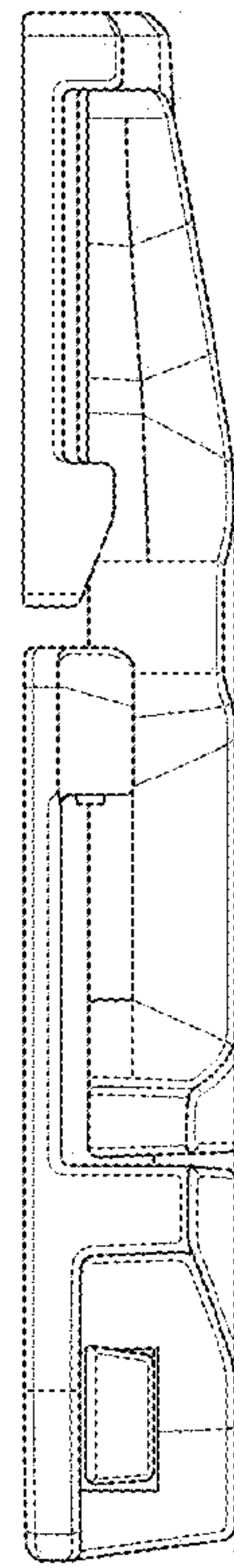


FIG. 5

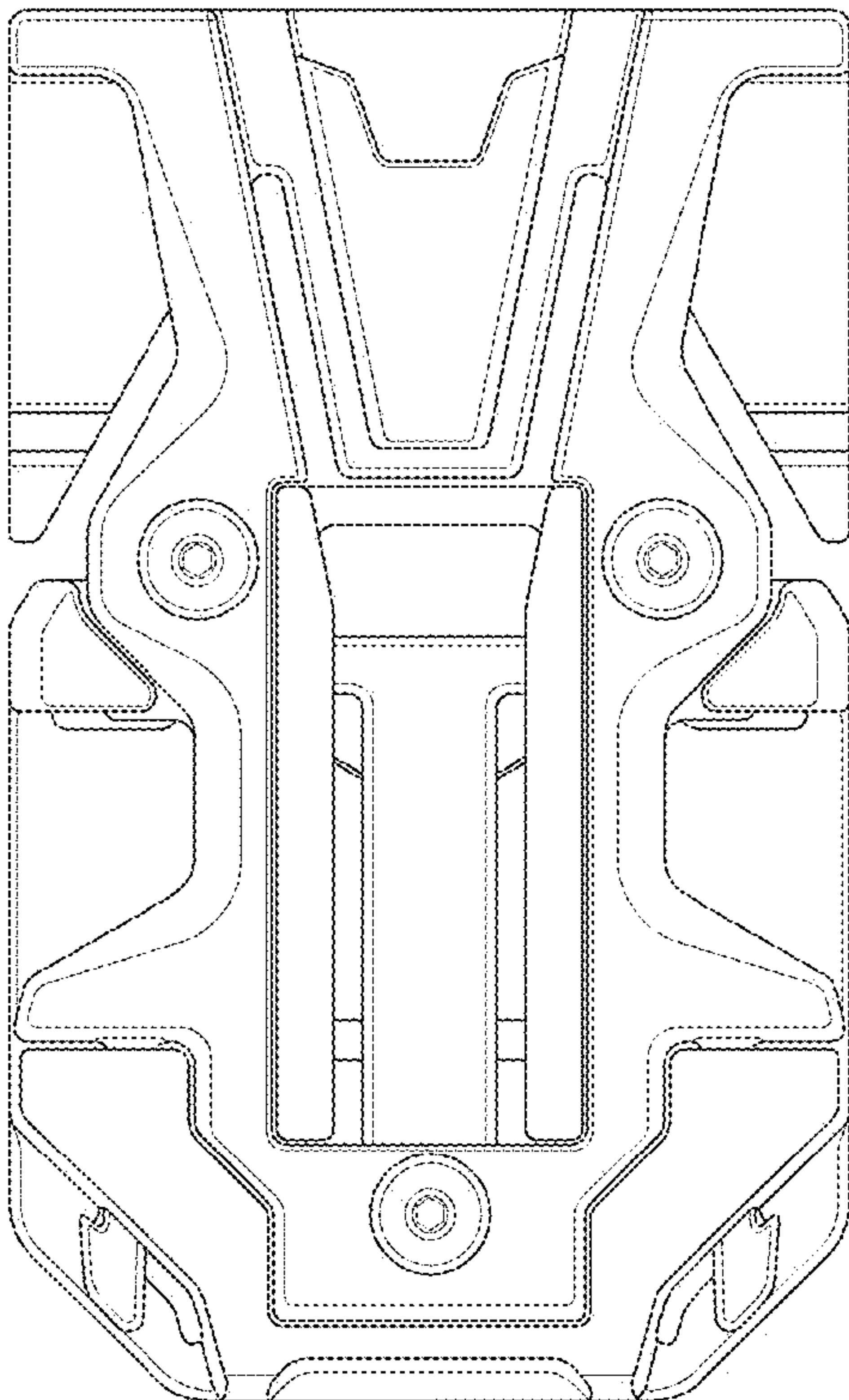


FIG. 6

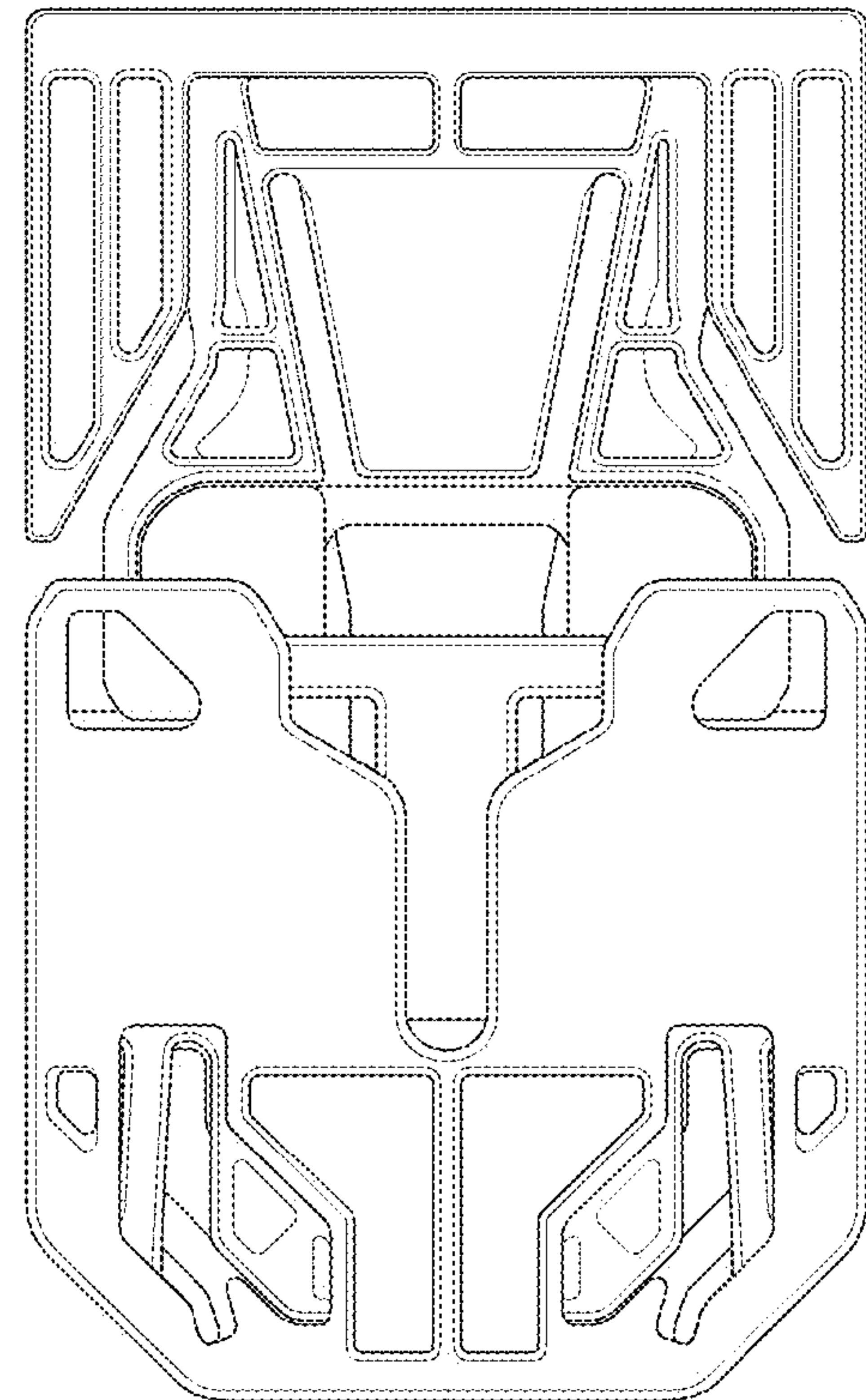


FIG. 7