



US00D895960S

(12) **United States Design Patent** (10) **Patent No.:** **US D895,960 S**  
**Goeder** (45) **Date of Patent:** **\*\* Sep. 15, 2020**

- (54) **CASE FOR A SHAVING RAZOR**
- (71) Applicant: **The Gillette Company LLC**, Boston, MA (US)
- (72) Inventor: **Philipp Goeder**, Frankfurt (DE)
- (73) Assignee: **The Gillette Company LLC**, Boston, MA (US)
- (\*\*) Term: **15 Years**
- (21) Appl. No.: **29/642,553**
- (22) Filed: **Mar. 30, 2018**
- (51) **LOC (12) Cl.** ..... **03-02**
- (52) **U.S. Cl.**  
USPC ..... **D3/205**
- (58) **Field of Classification Search**  
USPC ..... D3/205  
CPC ..... A45C 11/00; A45C 11/008; A45C 11/26;  
A45C 2011/007; A45C 9/00; A45D 44/18  
See application file for complete search history.

- (56) **References Cited**
- U.S. PATENT DOCUMENTS
- |               |         |               |                        |
|---------------|---------|---------------|------------------------|
| D258,270 S *  | 2/1981  | Gray          | 206/349                |
| D313,175 S *  | 12/1990 | Motta         | D9/721                 |
| D326,017 S    | 5/1992  | Orosy et al.  |                        |
| 5,782,346 A * | 7/1998  | Gray          | B65D 81/025<br>206/228 |
| D404,917 S    | 2/1999  | Miller et al. |                        |
| 5,894,922 A   | 4/1999  | Miller et al. |                        |
| D425,296 S *  | 5/2000  | Shurtleff     | D3/201                 |
| D466,283 S    | 12/2002 | Kim           |                        |
| D479,401 S    | 9/2003  | Claypool      |                        |

- |                   |         |                   |                      |
|-------------------|---------|-------------------|----------------------|
| D484,684 S        | 1/2004  | Eldon, III et al. |                      |
| D529,711 S        | 10/2006 | Shamoon           |                      |
| D681,938 S        | 5/2013  | Pan               |                      |
| D740,692 S        | 10/2015 | Christie et al.   |                      |
| D829,168 S *      | 9/2018  | Massee            | D13/108              |
| D860,813 S *      | 9/2019  | Swatty            | D9/749               |
| D873,556 S *      | 1/2020  | McGarry           | D3/205               |
| 2007/0220754 A1 * | 9/2007  | Barbaro           | A45D 27/22<br>30/41  |
| 2011/0308098 A1 * | 12/2011 | De'Rennaux        | A45D 27/22<br>30/541 |
| 2015/0059197 A1 * | 3/2015  | Sassano           | A45D 27/48<br>34/80  |
| 2018/0160790 A1 * | 6/2018  | Swatty            | A45D 27/22           |
- \* cited by examiner

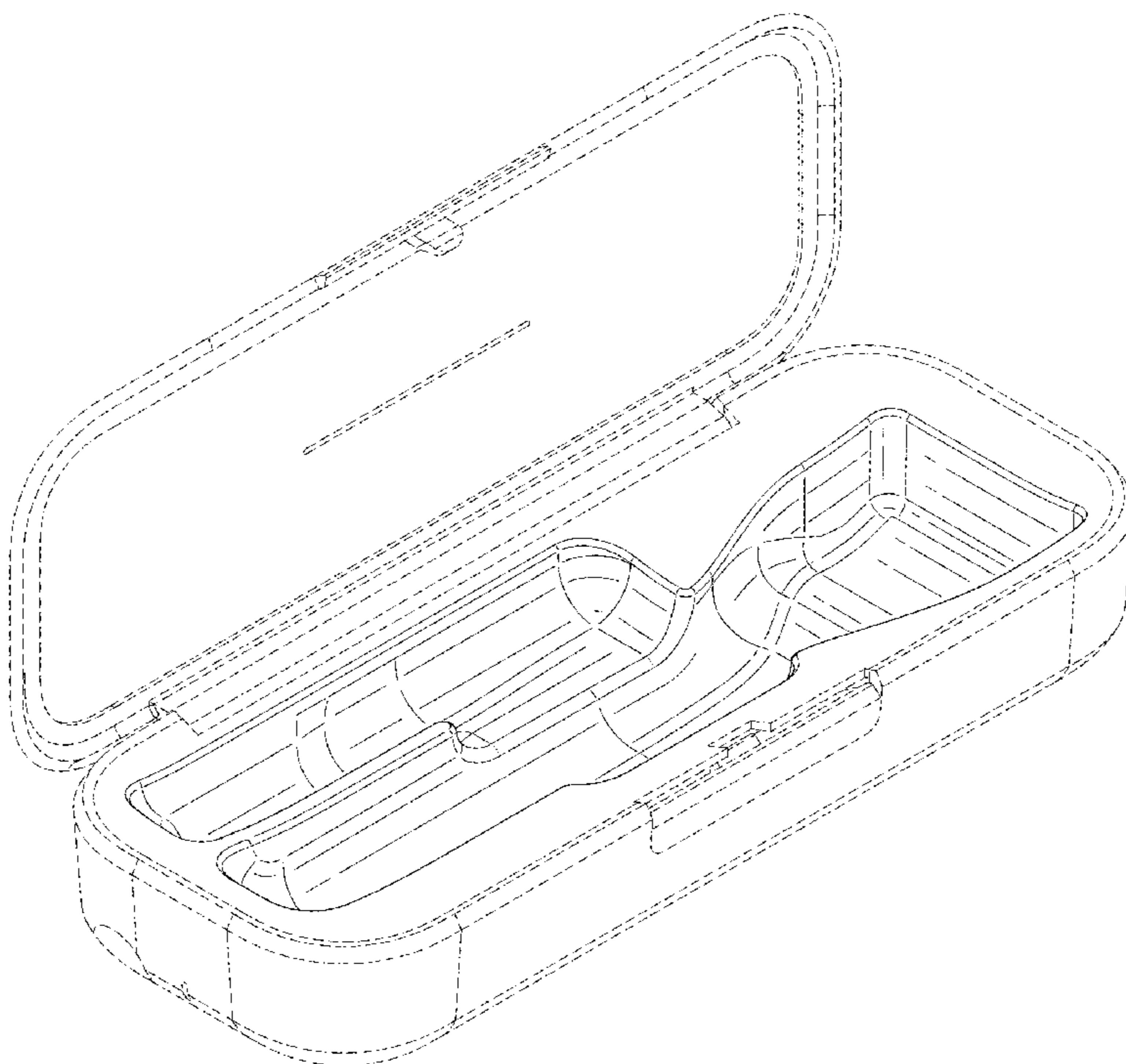
*Primary Examiner* — Charles D Hanson  
(74) *Attorney, Agent, or Firm* — John M. Lipchitz

(57) **CLAIM**  
The ornamental design for a case for a shaving razor, as shown and described.

**DESCRIPTION**

FIG. 1 is a first perspective view of a case for a shaving razor showing my new design;  
FIG. 2 is a front view thereof;  
FIG. 3 is a rear view hereof;  
FIG. 4 is a right side view thereof;  
FIG. 5 is a left side view thereof;  
FIG. 6 is a top view thereof;  
FIG. 7 is a bottom view thereof; and,  
FIG. 8 is a second perspective view thereof.  
The broken lines shown illustrate portions of the case and form no part of the claimed design.

**1 Claim, 7 Drawing Sheets**



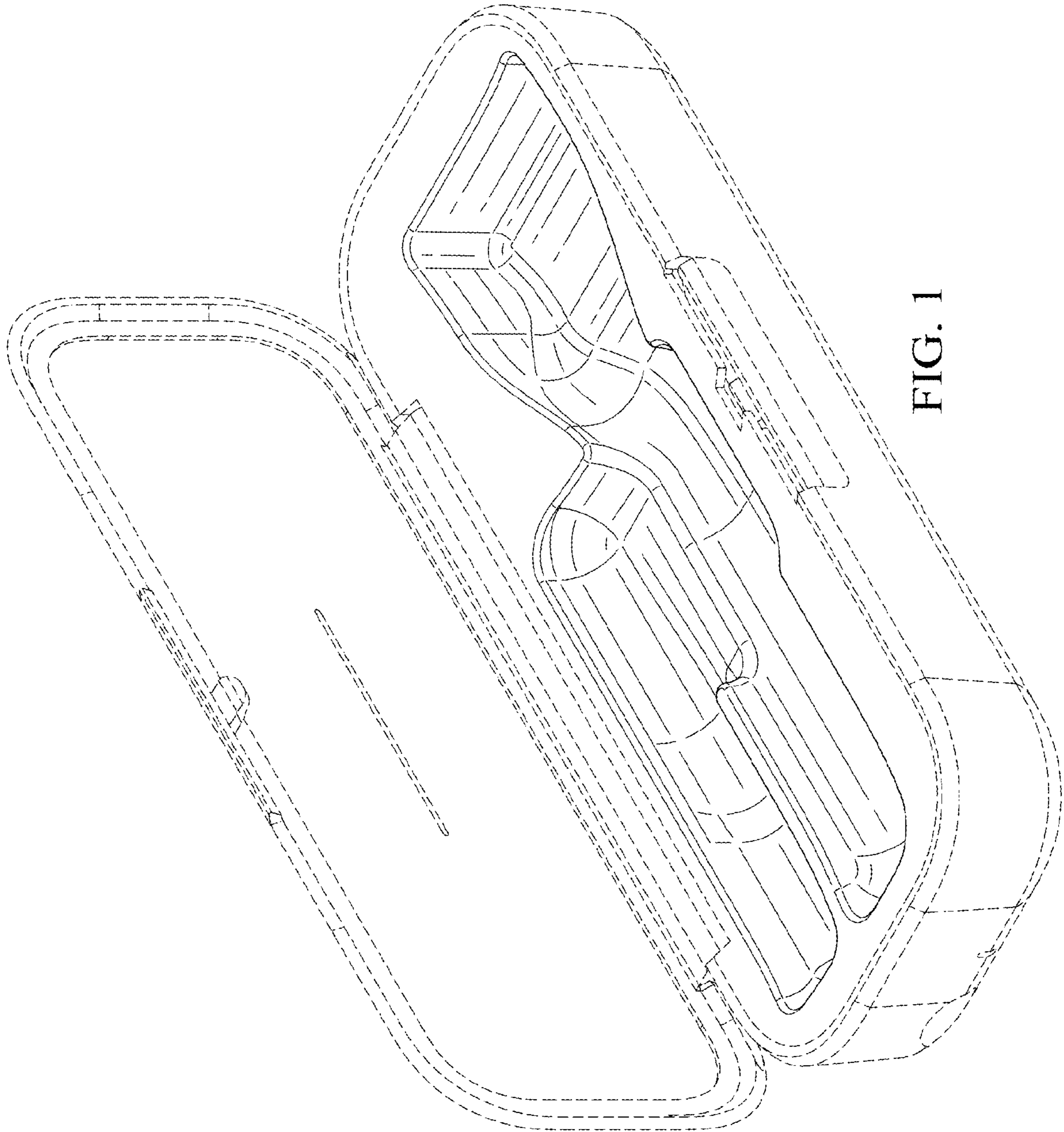


FIG. 1

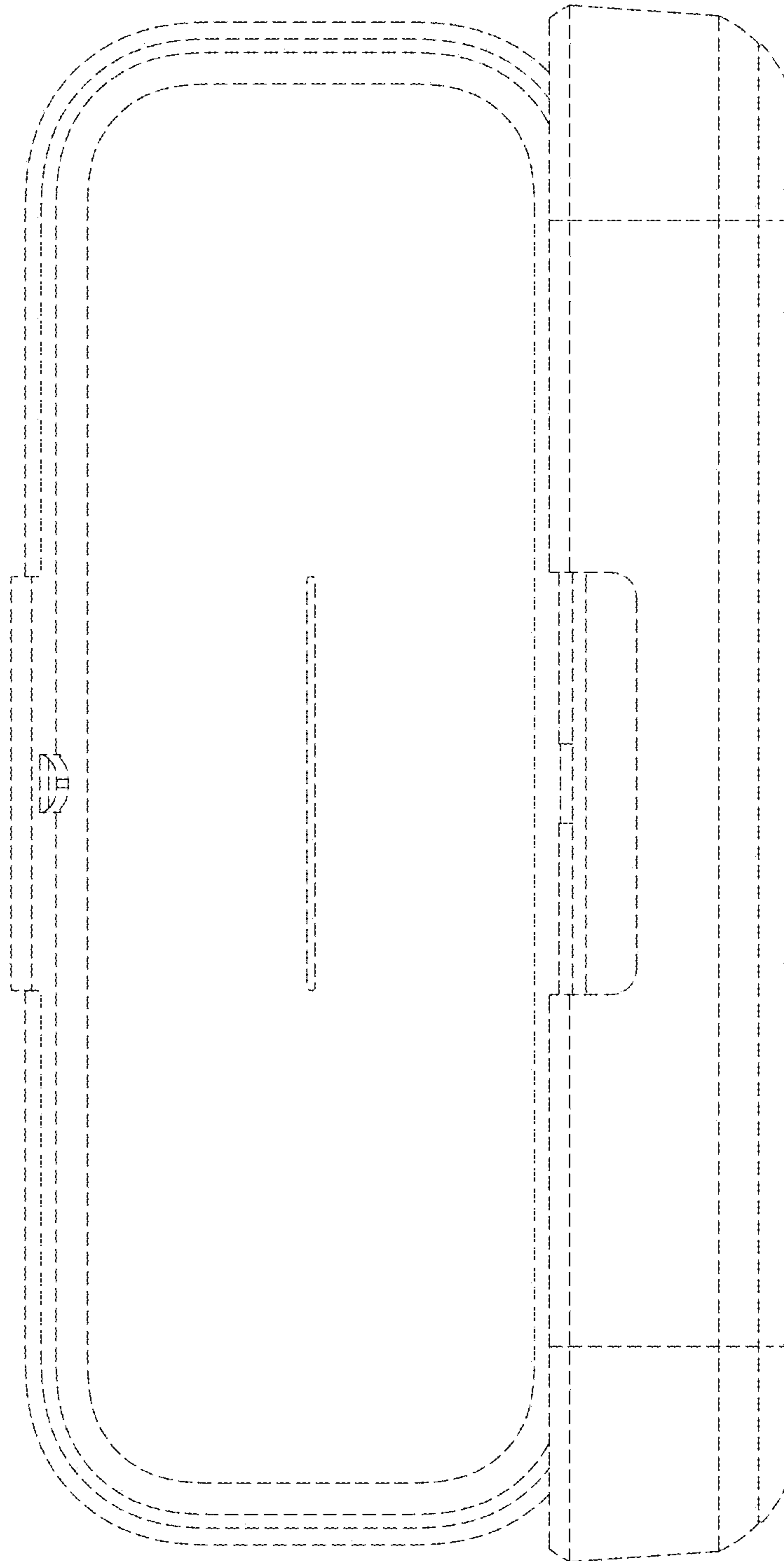


FIG. 2

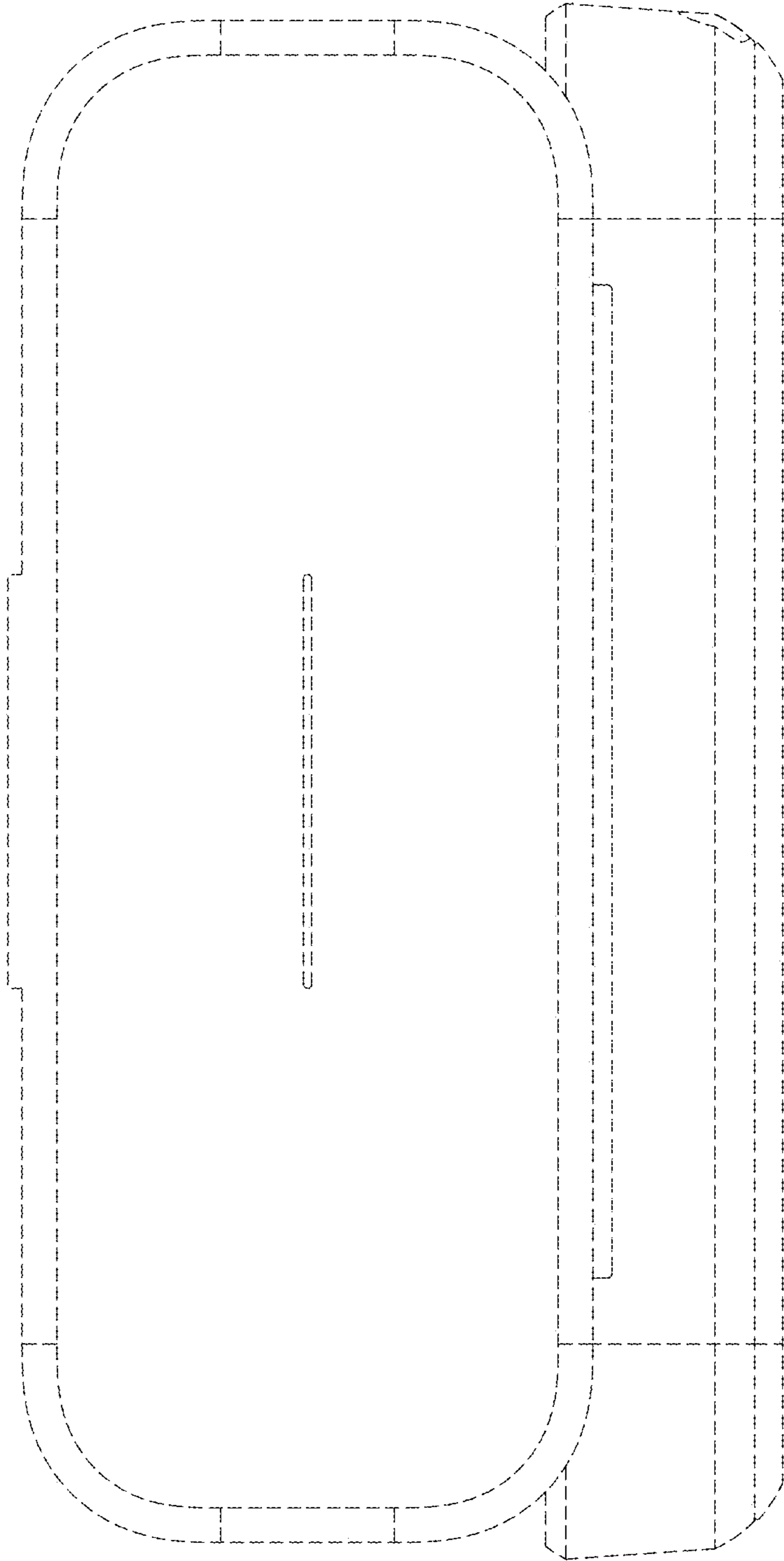


FIG. 3

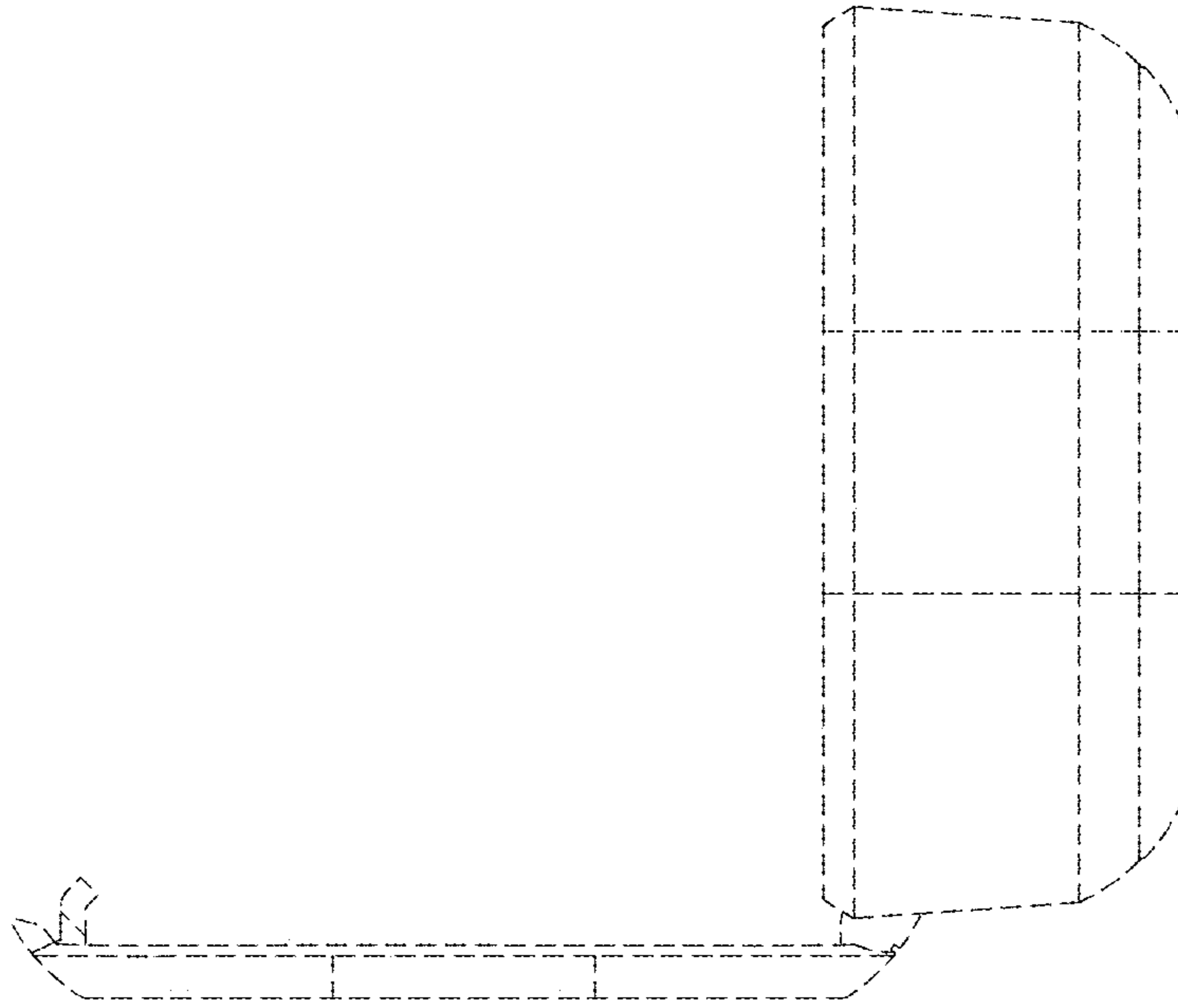


FIG. 5

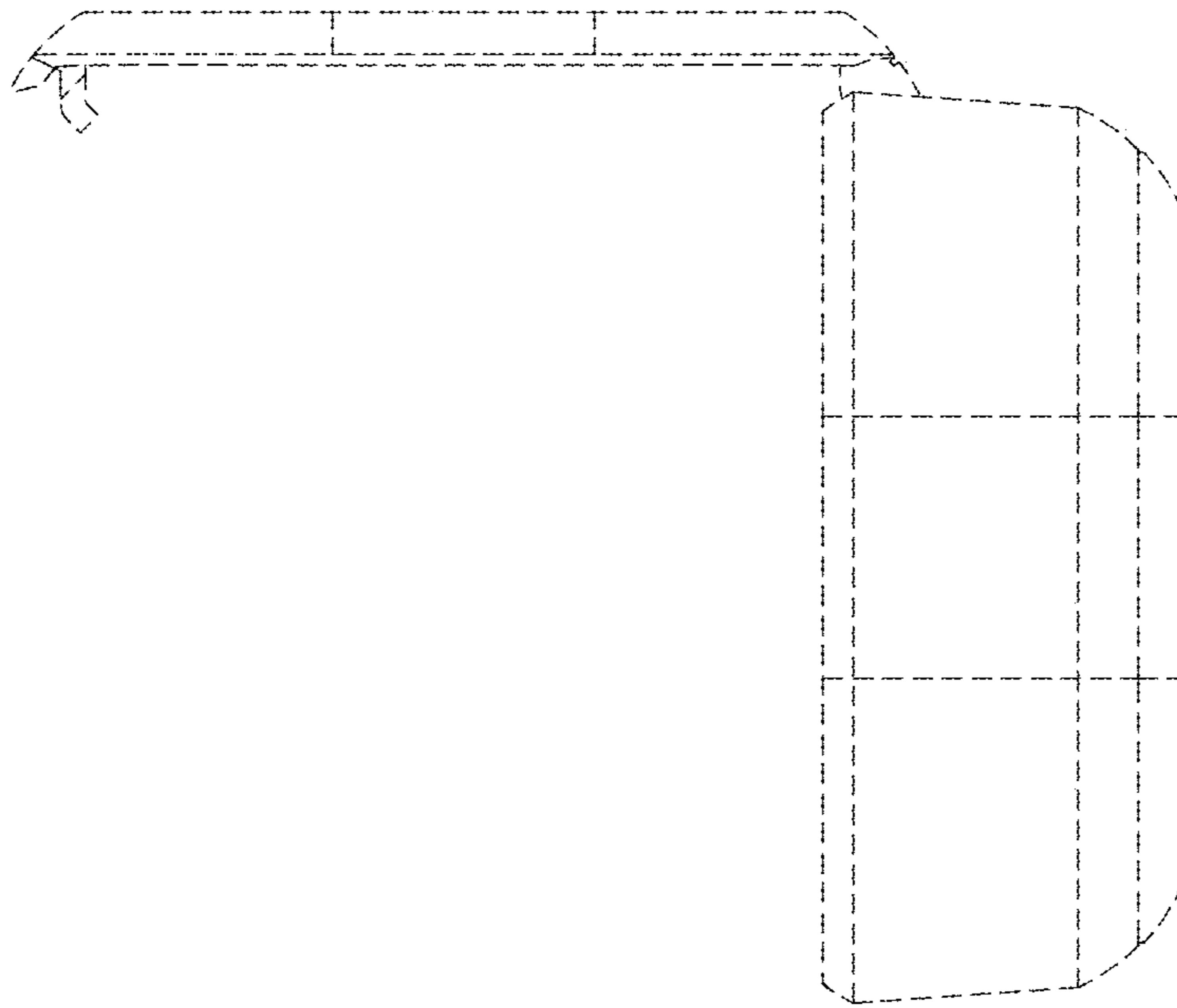


FIG. 4

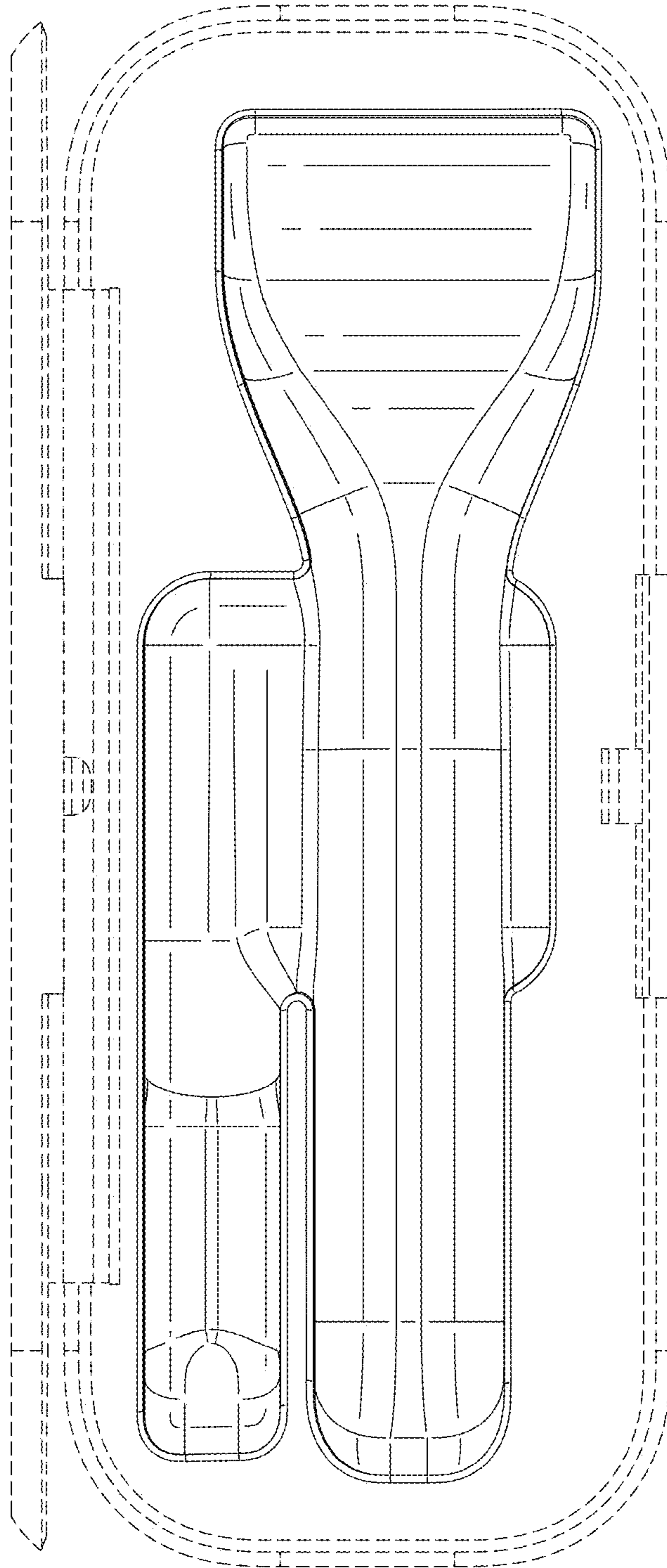


FIG. 6

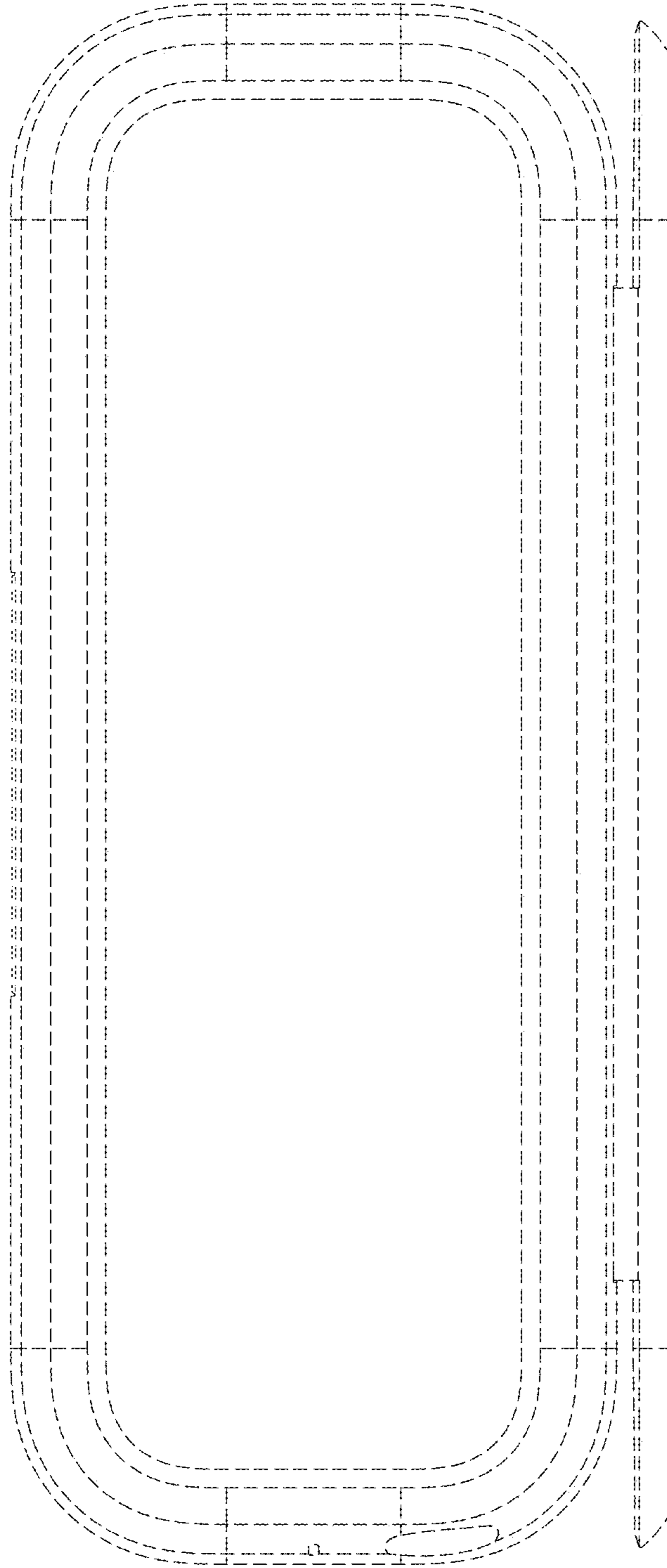


FIG. 7

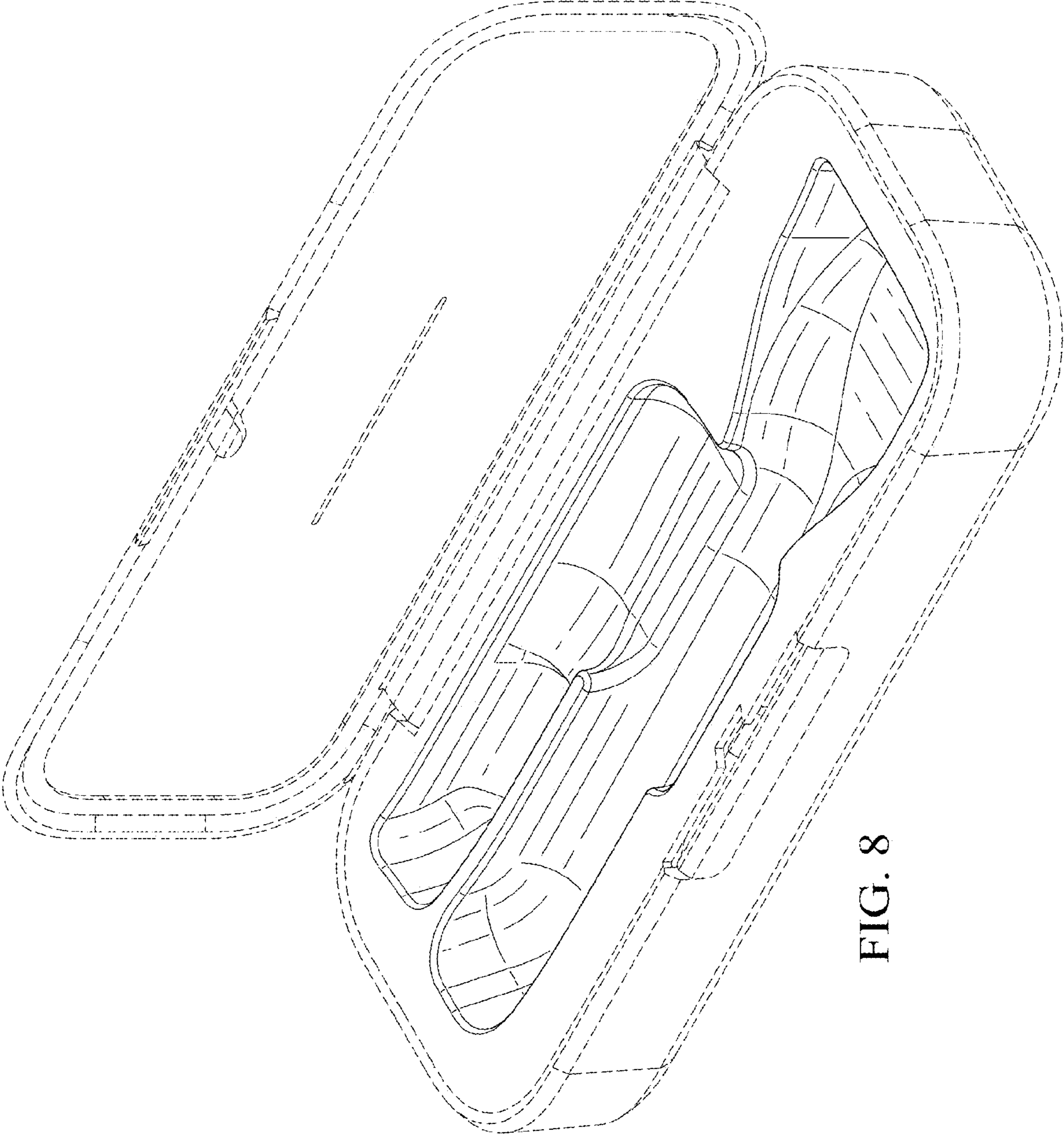


FIG. 8