



US00D895959S

(12) **United States Design Patent**  
**Guo et al.**

(10) **Patent No.:** **US D895,959 S**

(45) **Date of Patent:** **\*\* Sep. 15, 2020**

(54) **PILL ORGANIZER**

(71) Applicant: **ZHUHAI EKTOUCH TECHNOLOGY CO., LTD.**, Zhuhai (CN)

(72) Inventors: **Jinpeng Guo**, Zhuhai (CN); **Wei Du**, Zhuhai (CN)

(73) Assignee: **ZHUHAI EKTOUCH TECHNOLOGY CO., LTD.**, Zhuhai (CN)

(\*\*) Term: **15 Years**

(21) Appl. No.: **29/732,438**

(22) Filed: **Apr. 24, 2020**

(51) **LOC (12) Cl.** ..... **03-01**

(52) **U.S. Cl.**  
USPC ..... **D3/203.3**

(58) **Field of Classification Search**  
USPC ..... D3/201, 203.1–203.6, 273, 294, 295;  
D9/420, 421, 757, 759  
CPC ..... B65D 1/00; B65D 2583/04; B65D 83/04;  
B65D 83/0445; B65D 83/0481; A61J  
1/00; A61J 1/03; A61J 7/04; A61J 7/0084  
See application file for complete search history.

(56) **References Cited**

**U.S. PATENT DOCUMENTS**

D253,933	S	*	1/1980	Bridges	.....	D3/203.3
4,735,318	A	*	4/1988	Keffeler	.....	A61J 1/03 206/532
D298,803	S	*	12/1988	Ebling	.....	D3/203.3
D304,905	S	*	12/1989	Zimmerman	.....	D3/203.3
D337,725	S	*	7/1993	Bunin	.....	D3/203.3
D393,203	S	*	4/1998	Saltzman	.....	D24/226
D430,392	S	*	9/2000	Noble	.....	D3/201
D457,819	S	*	5/2002	Noble	.....	D10/40
D466,801	S	*	12/2002	Holland	.....	D3/203.3
D525,777	S	*	8/2006	Priebe	.....	D3/203.3

D528,782	S	*	9/2006	Oas	.....	D3/203.3
D545,563	S	*	7/2007	Margiotta	.....	D3/203.3
D547,052	S	*	7/2007	Cooper	.....	D3/203.3
7,387,207	B2	*	6/2008	Priebe	.....	A61J 1/03 206/532

(Continued)

*Primary Examiner* — Steven J Czyz

(57) **CLAIM**

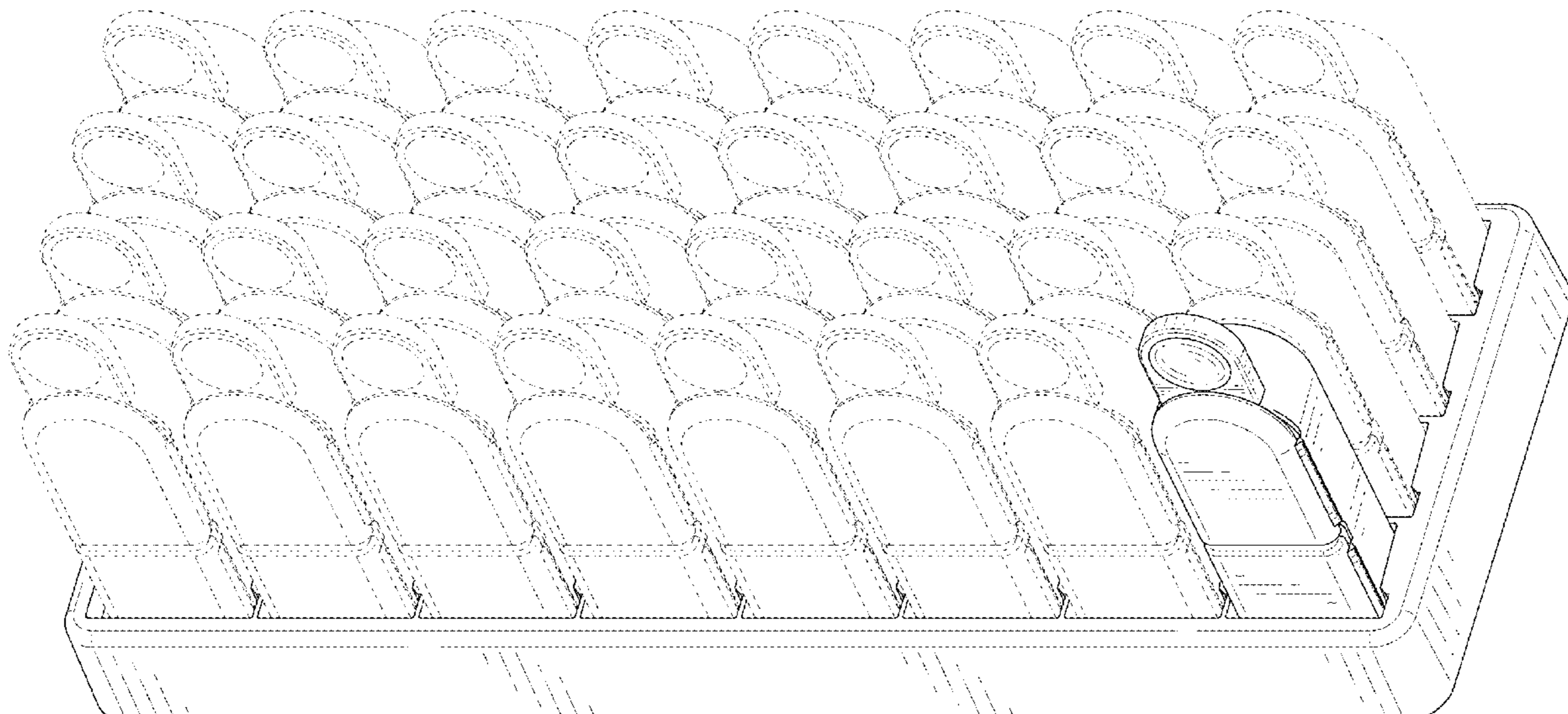
The ornamental design for a pill organizer, as shown and described.

**DESCRIPTION**

FIG. 1 is a rear perspective view of the pill box portion of a pill organizer, shown separately for ease of disclosure; FIG. 2 is a front perspective view thereof; FIG. 3 is a front elevational view thereof; FIG. 4 is a rear elevational view thereof; FIG. 5 is a left side elevational view thereof; FIG. 6 is a right side elevational view thereof; FIG. 7 is a top plan view thereof; FIG. 8 is a bottom plan view thereof; FIG. 9 is a front perspective view of the pill box portion of the pill organizer, shown separately and in an open configuration; FIG. 10 is a top perspective view of the tray portion of the pill organizer, shown separately for ease of disclosure; FIG. 11 is a bottom perspective view thereof; FIG. 12 is a front elevational view thereof; FIG. 13 is a rear elevational view thereof; FIG. 14 is a left side elevational view thereof; FIG. 15 is a right side elevational view thereof; FIG. 16 is a top plan view thereof; FIG. 17 is a bottom plan view thereof; and, FIG. 18 is a top perspective view of the pill organizer, shown in use with pill boxes attached to the tray.

The broken lines in the drawings depict portions of the pill organizer that form no part of the claimed design.

**1 Claim, 18 Drawing Sheets**



(56)

References Cited

U.S. PATENT DOCUMENTS

7,395,929 B2 *	7/2008	Keffeler	.....	B65D 83/0445	D697,303 S *	1/2014	Priebe	.....	D3/203.3
				206/528	D698,141 S *	1/2014	Priebe	.....	D3/203.3
D575,956 S *	9/2008	Reardon	.....	D3/295	D698,540 S *	2/2014	Priebe	.....	D3/203.3
D576,404 S *	9/2008	Cooper	.....	D3/203.3	D703,943 S *	5/2014	Priebe	.....	D3/203.3
D576,787 S *	9/2008	Fulmer Mason	.....	D3/203.3	8,744,620 B2 *	6/2014	Shavelsky	.....	A61J 7/04
D580,655 S *	11/2008	Kao	.....	D3/295					700/237
7,494,012 B1 *	2/2009	Priebe	.....	A61J 1/03	D709,282 S *	7/2014	Priebe	.....	D3/203.3
				206/1.5	9,066,849 B2 *	6/2015	Fung	.....	A61J 1/03
7,624,890 B2 *	12/2009	Noble	.....	B65D 43/162	9,161,885 B1 *	10/2015	Zhou	.....	A61J 7/0418
				220/324	9,211,233 B2 *	12/2015	Shavelsky	.....	A61J 7/04
7,793,785 B2 *	9/2010	Keffeler	.....	A61J 1/03	D747,869 S *	1/2016	Priebe	.....	D3/203.3
				206/532	D761,009 S *	7/2016	Jewell	.....	D3/203.3
7,798,330 B2 *	9/2010	Noble	.....	B65D 83/04	D770,770 S *	11/2016	White	.....	D3/295
				206/1.5	D775,462 S *	1/2017	Noble	.....	D3/203.3
D660,583 S	5/2012	Mlinarevic			D812,368 S *	3/2018	Noble	.....	D3/203.3
8,174,370 B1 *	5/2012	Fulmer-Mason	.....	A61J 7/0409	9,937,101 B2 *	4/2018	Sheu	.....	A61J 7/0084
				206/534	D821,738 S *	7/2018	Small	.....	D3/203.2
8,381,911 B2 *	2/2013	Buchner	.....	B65D 83/04	D828,012 S *	9/2018	Suess	.....	D3/203.3
				206/530	D831,331 S *	10/2018	Lee	.....	D3/203.3
D684,355 S *	6/2013	Priebe	.....	D3/203.3	D833,733 S *	11/2018	Chen	.....	D3/203.3
D686,407 S *	7/2013	Mazur	.....	D3/203.3	10,391,027 B1 *	8/2019	Pande	.....	B65D 83/0445
D691,366 S *	10/2013	Muncy	.....	D3/203.3	10,391,028 B2 *	8/2019	Deluca	.....	A61J 7/0463
D696,007 S *	12/2013	Priebe	.....	D3/203.3	10,524,986 B2 *	1/2020	Meritt	.....	B65D 83/0445
D696,010 S *	12/2013	Priebe	.....	D3/203.3	D877,489 S *	3/2020	Lee	.....	D3/203.2
D696,856 S *	1/2014	Priebe	.....	D3/203.3	D882,940 S *	5/2020	Arn	.....	D3/203.3
					D882,941 S *	5/2020	Deluca	.....	D3/203.3
					2015/0366753 A1 *	12/2015	Ryan	.....	A61J 7/04
									206/570

\* cited by examiner

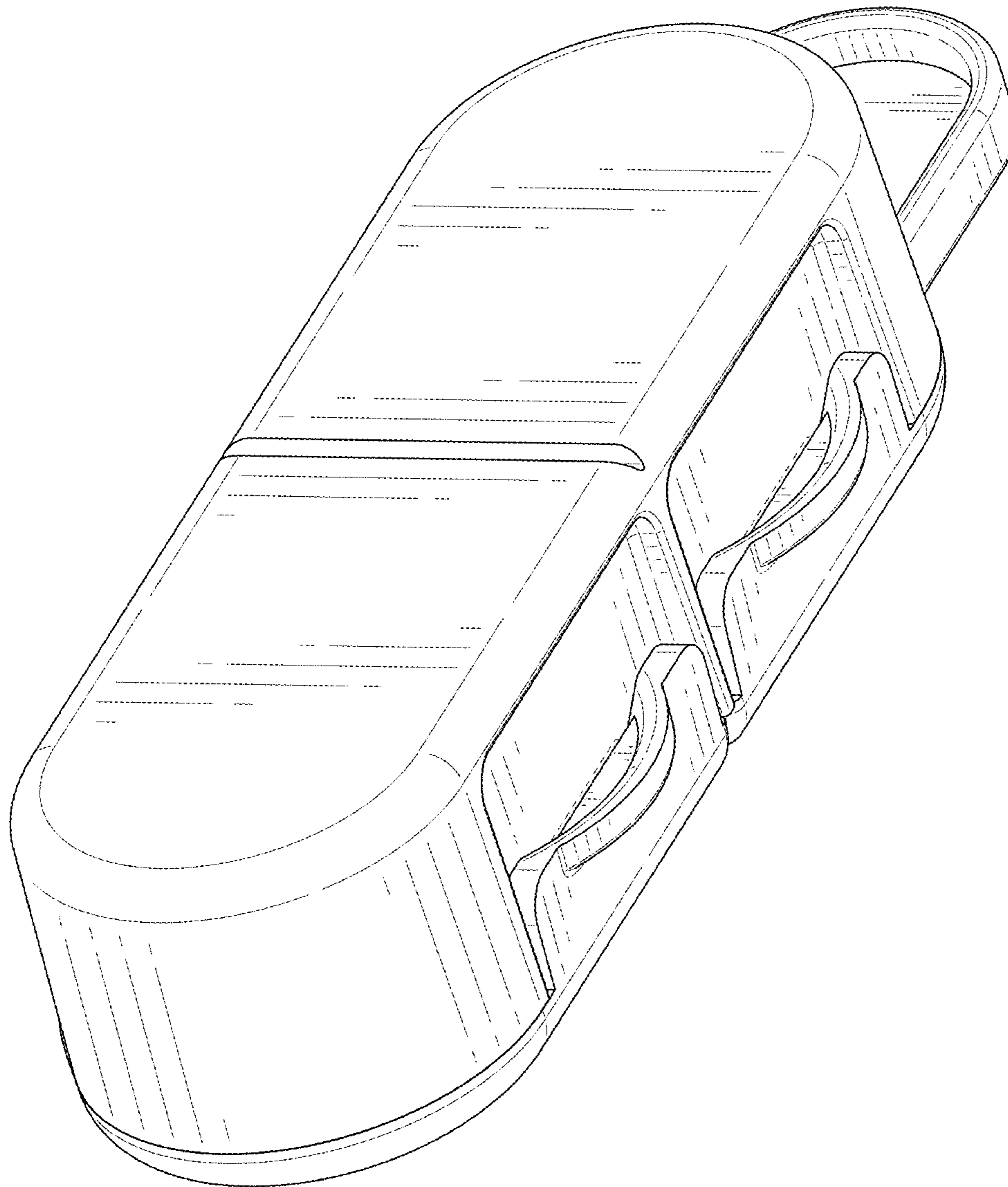


FIG. 1



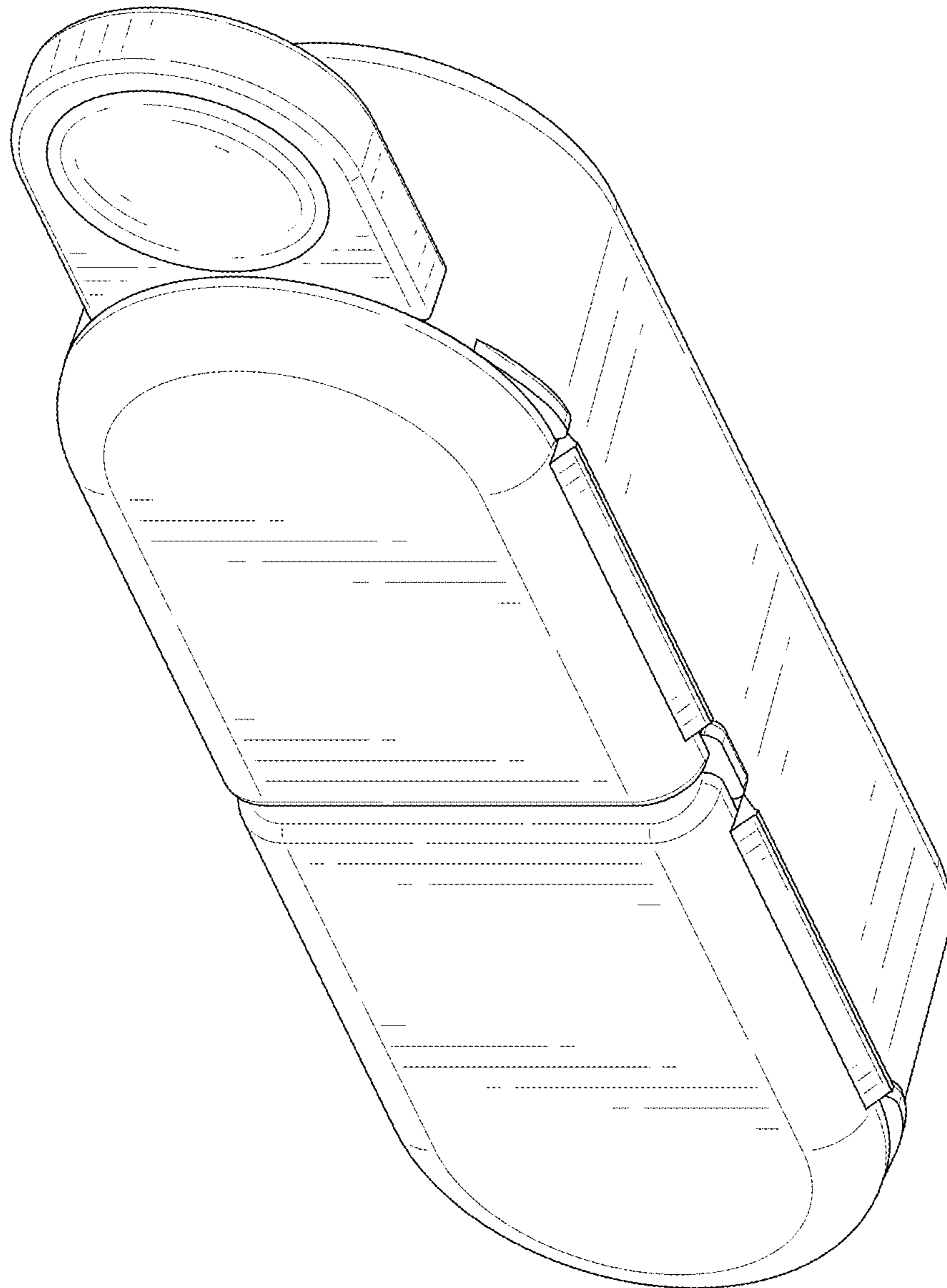


FIG. 2

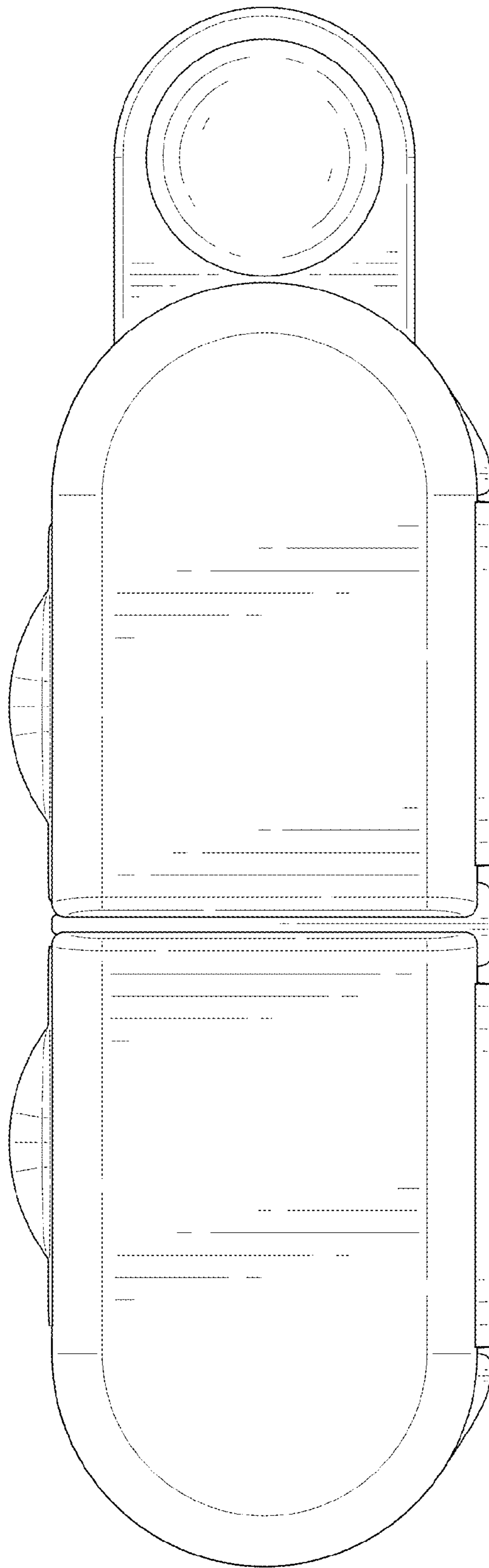


FIG. 3

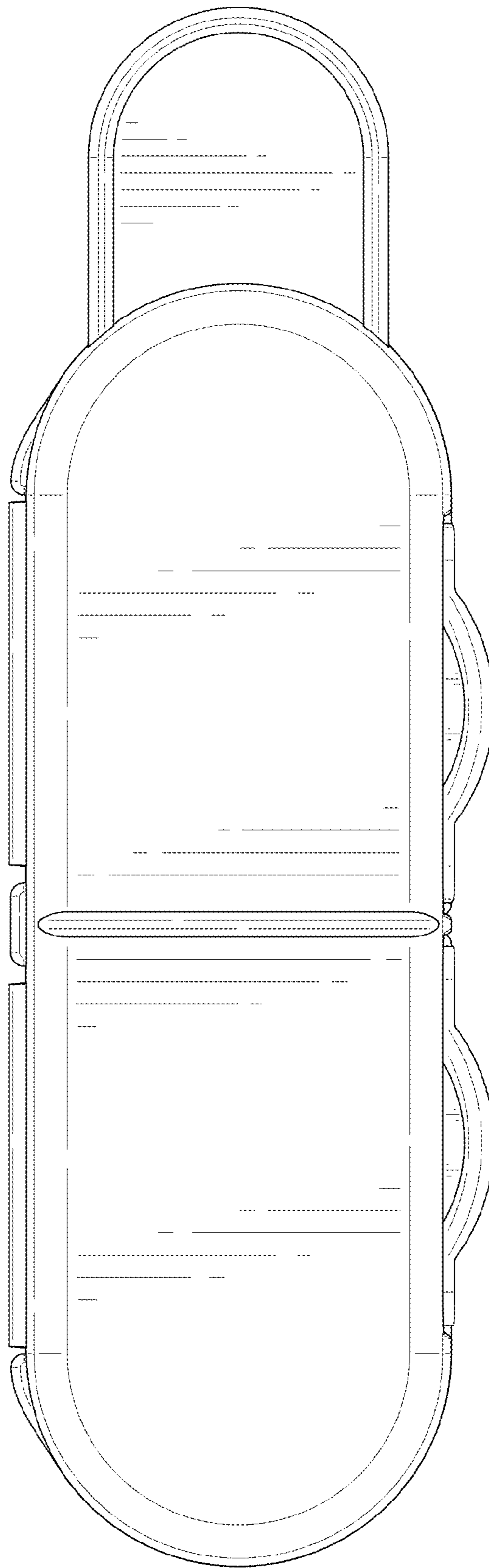


FIG. 4

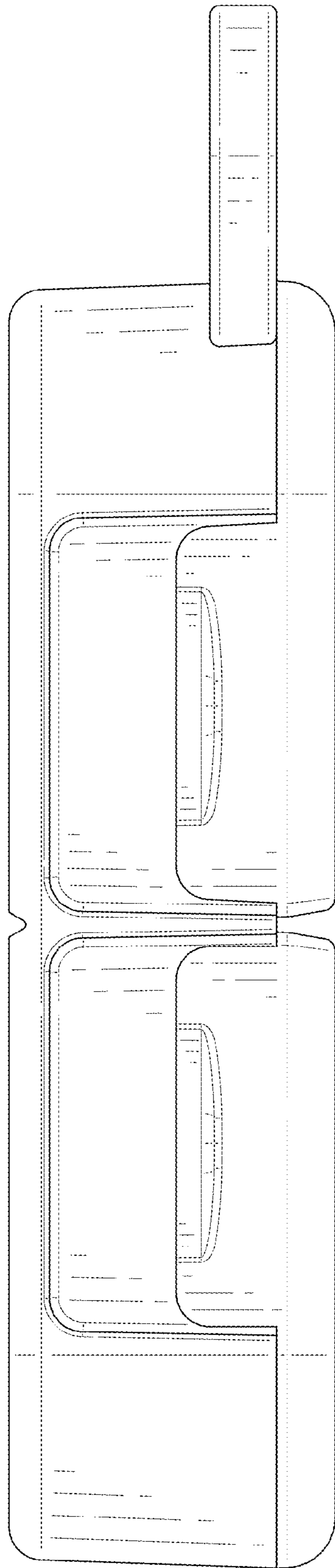


FIG. 5

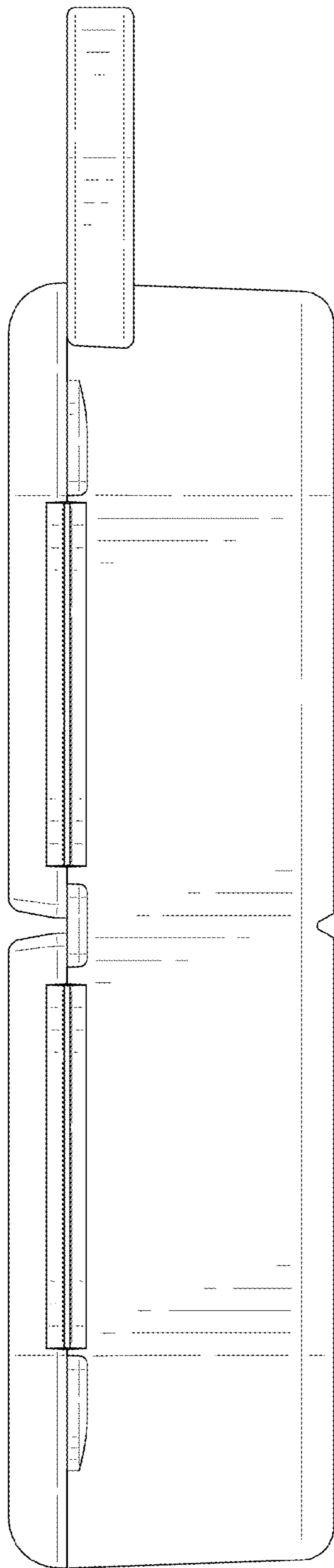


FIG. 6



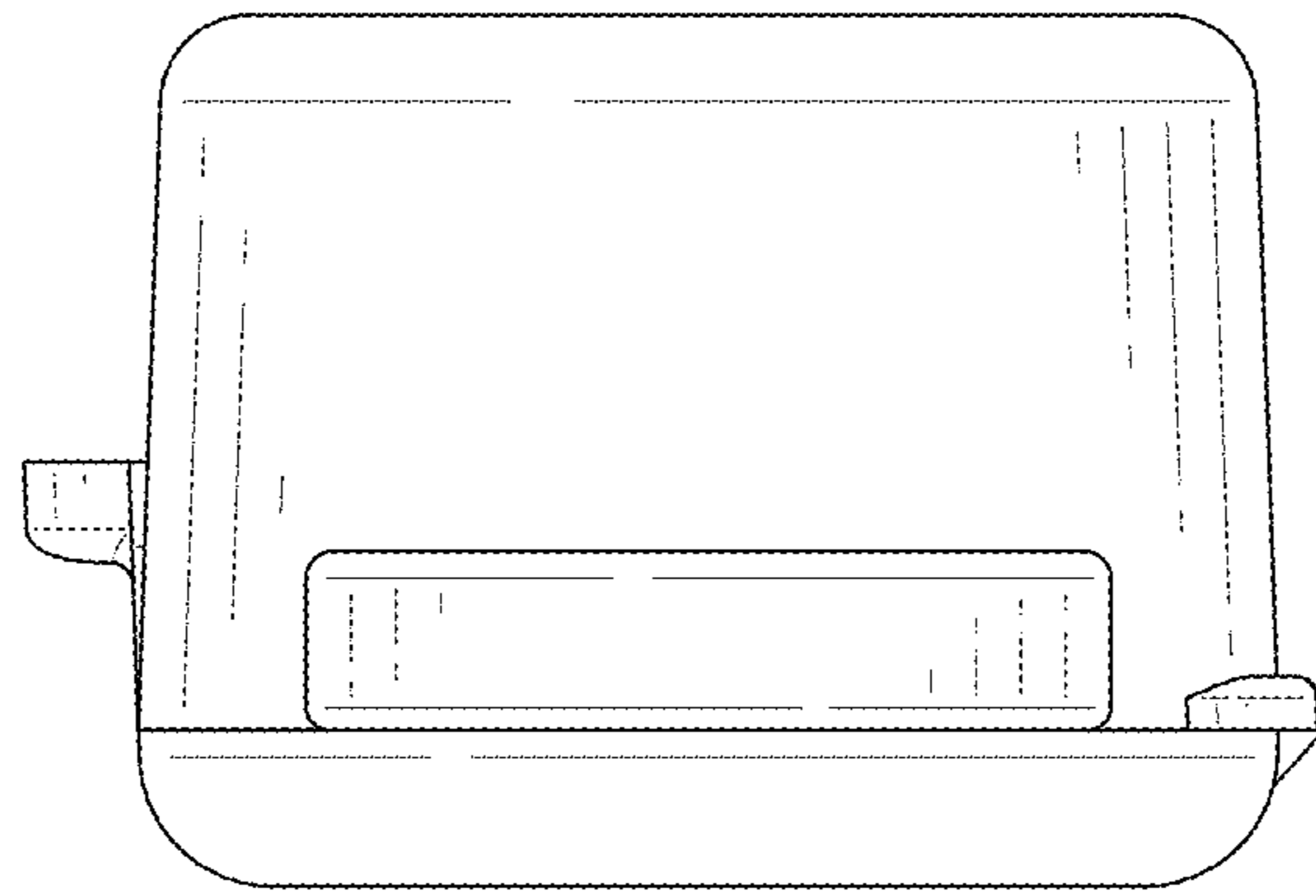


FIG. 7

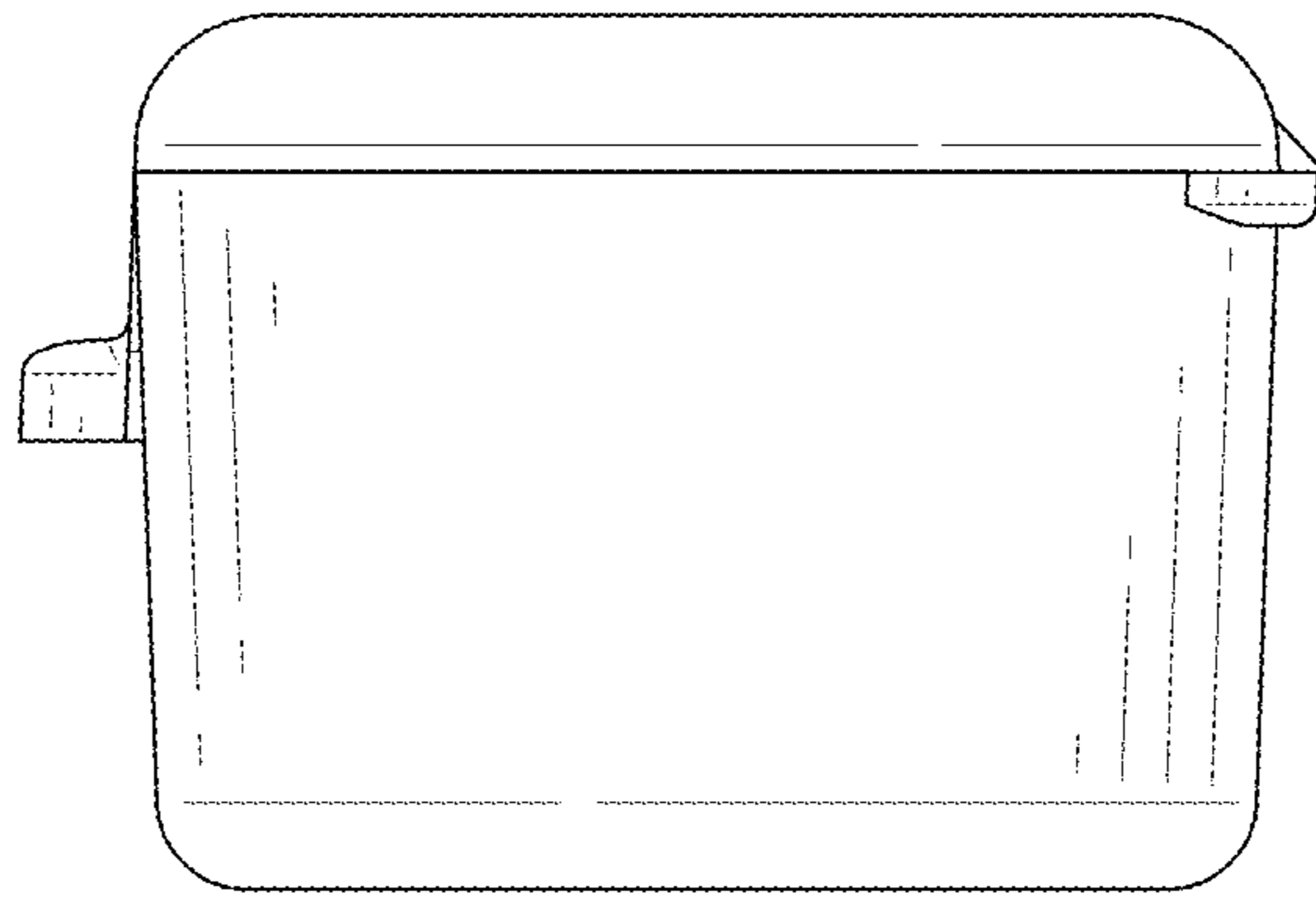


FIG. 8

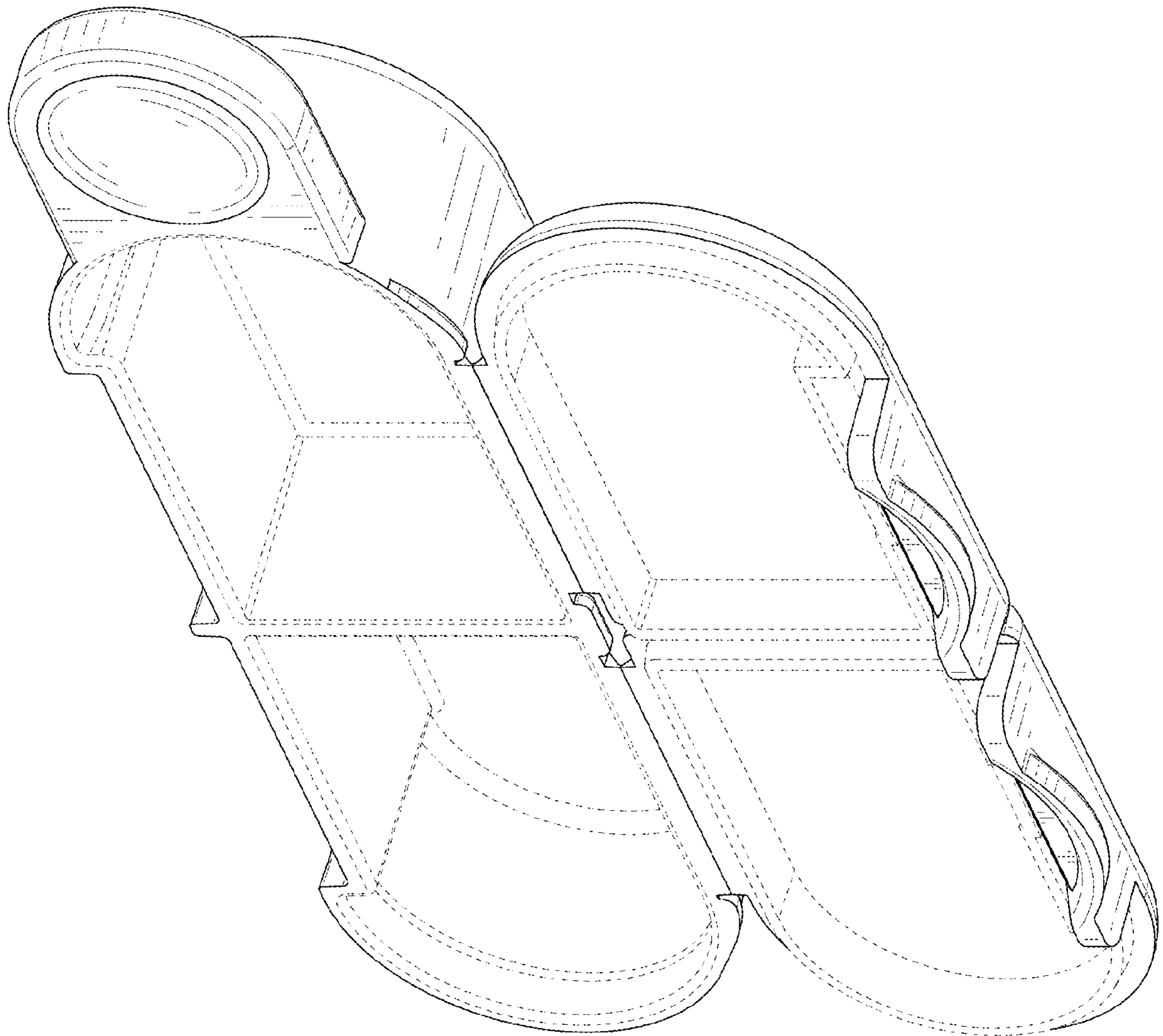


FIG. 9

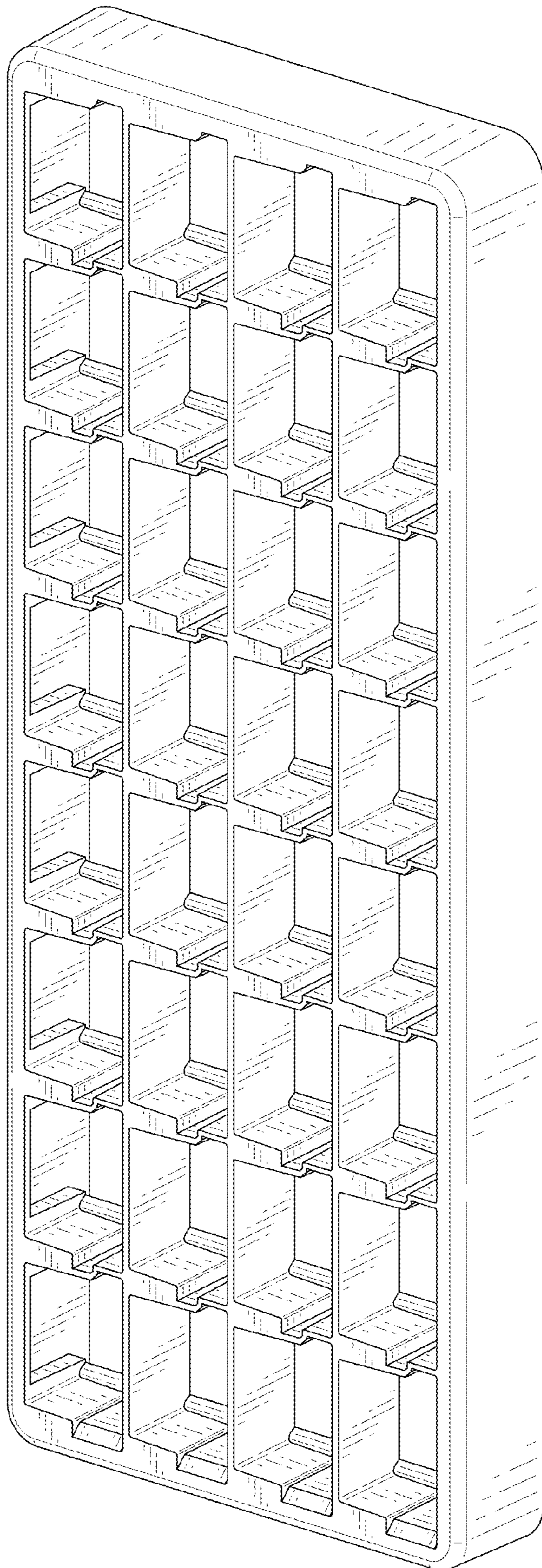


FIG. 10



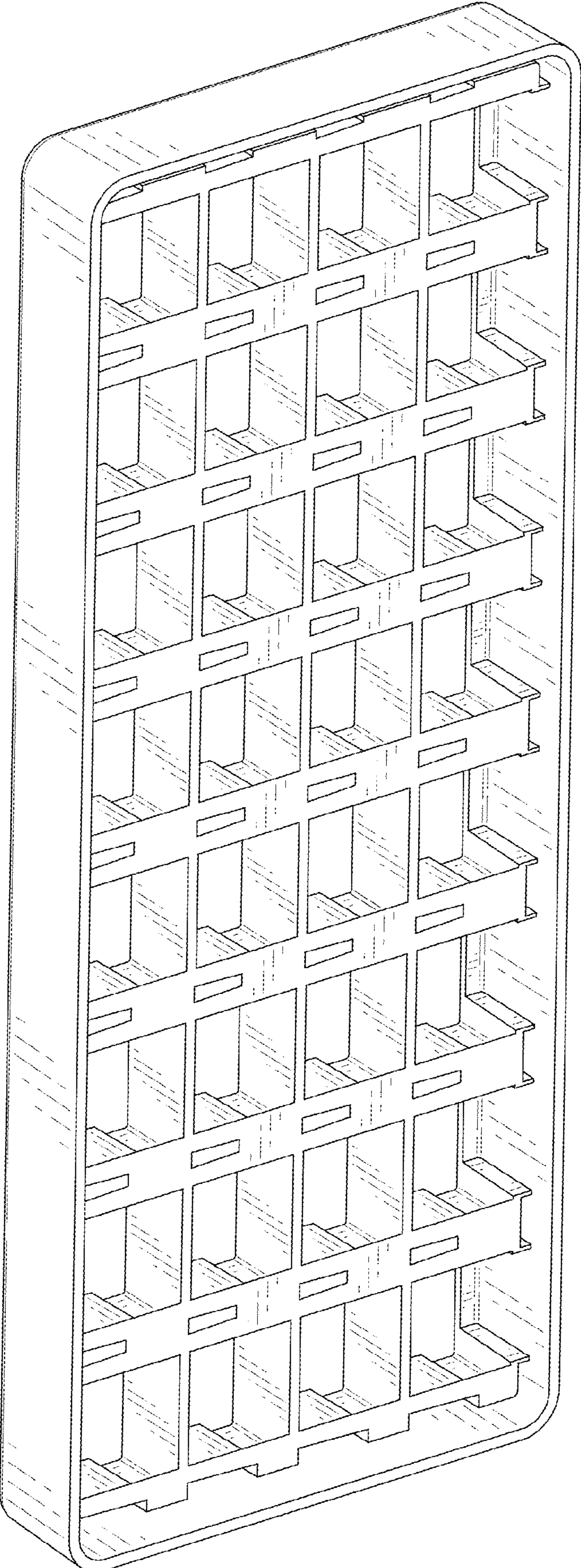


FIG. 11



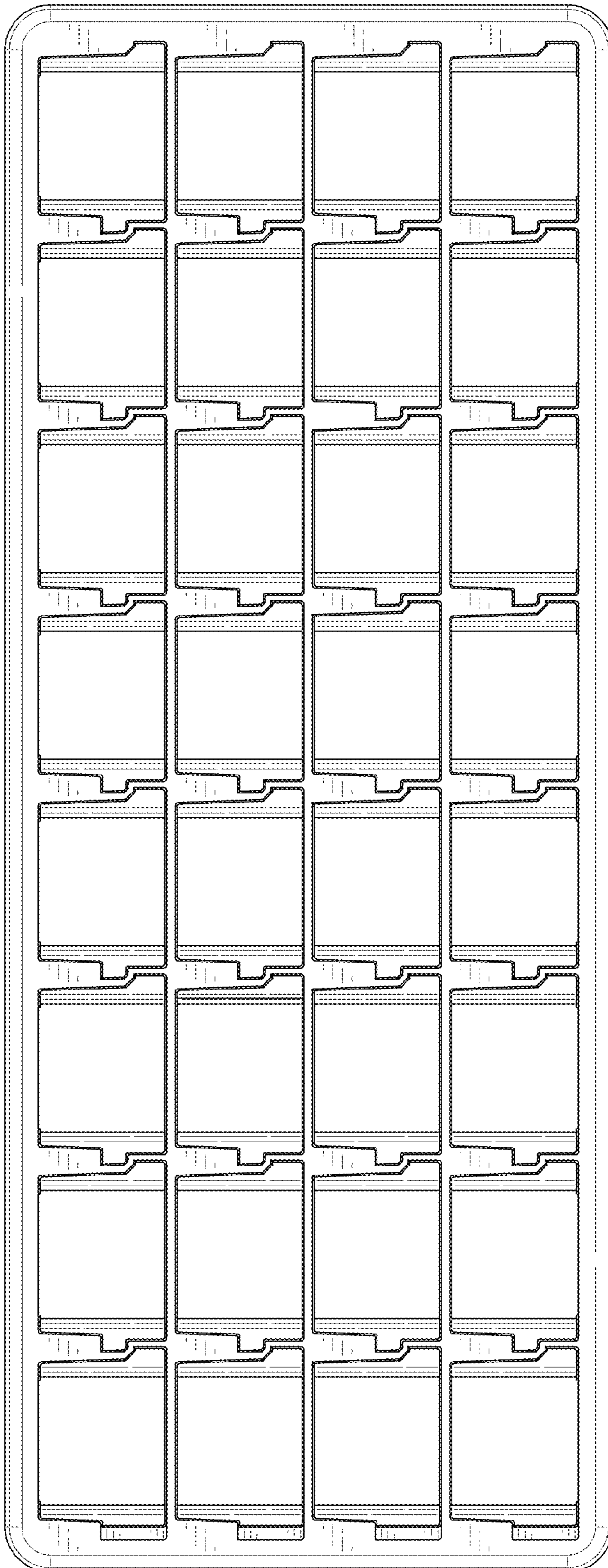


FIG. 12

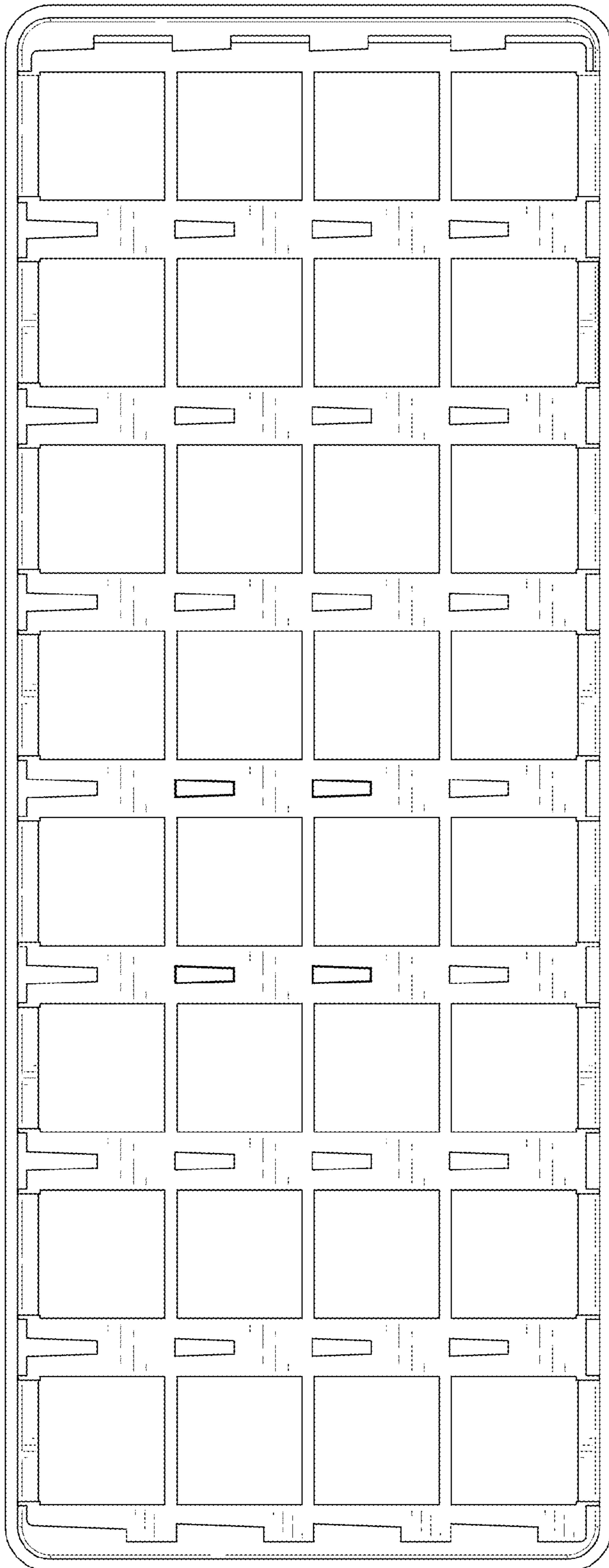


FIG. 13

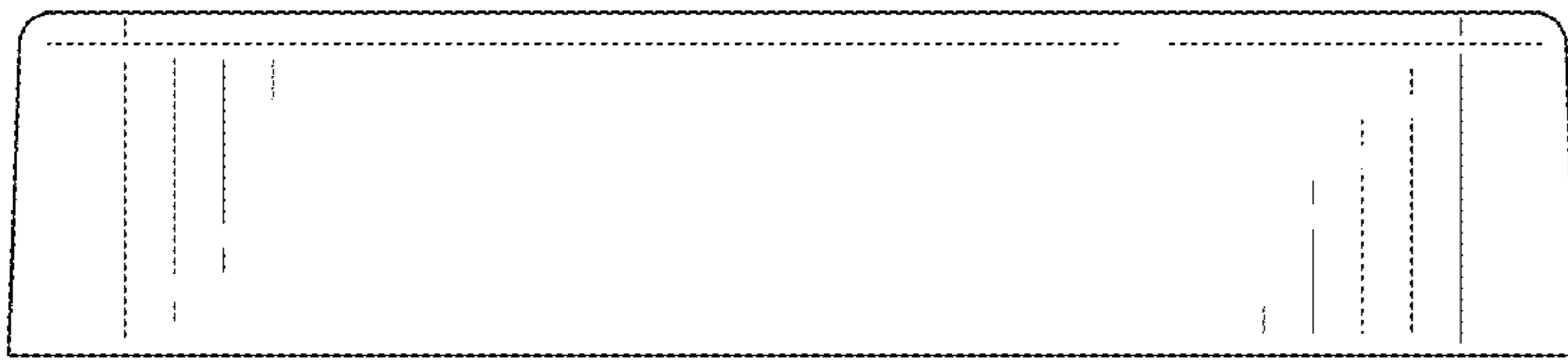


FIG. 14

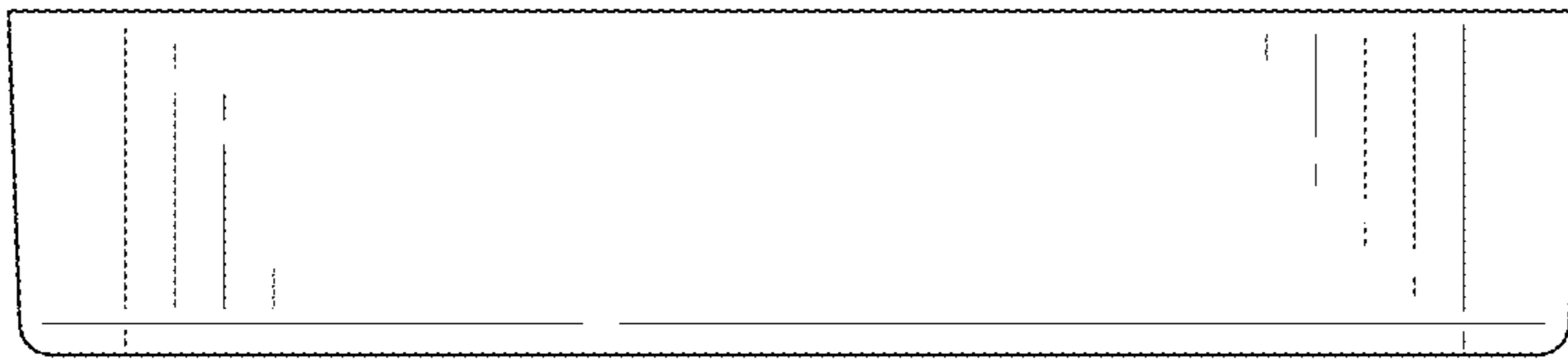


FIG. 15

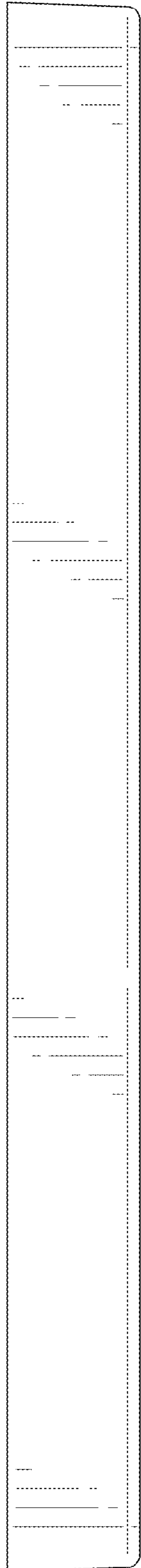


FIG. 16



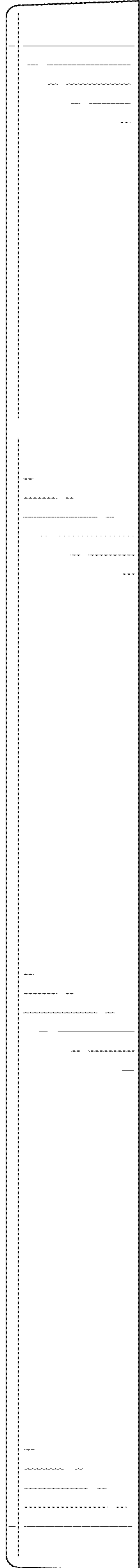


FIG. 17

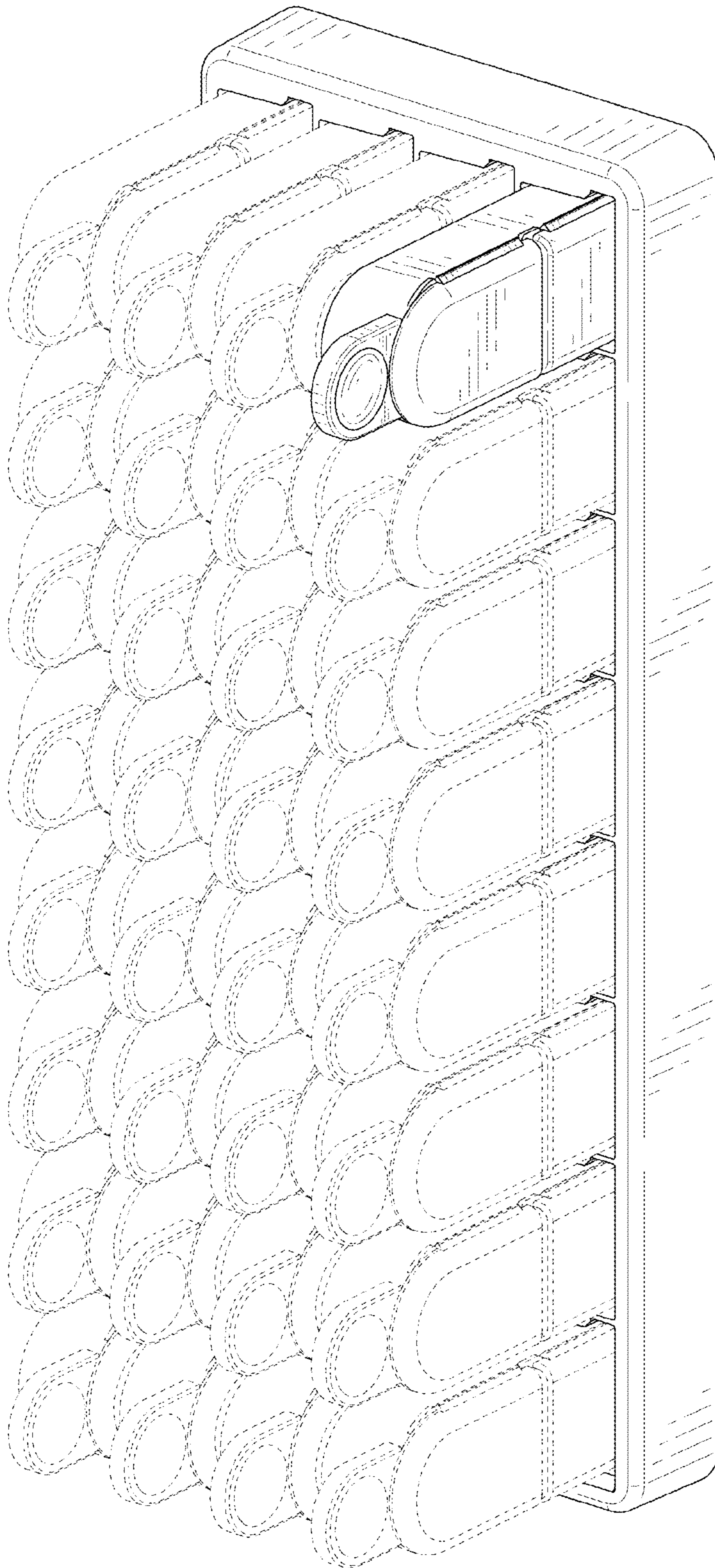


FIG. 18