



US00D895958S

(12) **United States Design Patent**
Guo et al.

(10) **Patent No.:** **US D895,958 S**

(45) **Date of Patent:** **** Sep. 15, 2020**

(54) **PILL BOX WITH PILL ORGANIZER**

D528,782 S * 9/2006 Oas D3/203.3
D545,563 S * 7/2007 Margiotta D3/203.3
7,387,207 B2 * 6/2008 Priebe A61J 1/03
206/532

(71) Applicant: **ZHUHAI EKTOUCH TECHNOLOGY CO., LTD.**, Zhuhai (CN)

(Continued)

Primary Examiner — Steven J Cxyz

(72) Inventors: **Jinpeng Guo**, Zhuhai (CN); **Wei Du**, Zhuhai (CN)

(57) **CLAIM**

The ornamental design for a pill box with pill organizer, as shown and described.

(73) Assignee: **ZHUHAI EKTOUCH TECHNOLOGY CO., LTD.**, Zhuhai (CN)

DESCRIPTION

(**) Term: **15 Years**

FIG. 1 is a top perspective view of the pill organizer portion of a pill box with pill organizer, shown separately for ease of disclosure;

(21) Appl. No.: **29/732,436**

FIG. 2 is a bottom perspective view thereof;

(22) Filed: **Apr. 24, 2020**

FIG. 3 is a front elevational view thereof;

(51) **LOC (12) Cl.** **03-01**

FIG. 4 is a rear elevational view thereof;

(52) **U.S. Cl.**

FIG. 5 is a left side elevational view thereof;

USPC **D3/203.3**

FIG. 6 is a right side elevational view thereof;

(58) **Field of Classification Search**

FIG. 7 is a top plan view thereof;

USPC D3/201, 203.1–203.6, 273, 294, 295;
D9/420, 421, 757, 759

FIG. 8 is a bottom plan view thereof;

CPC B65D 1/36; B65D 2583/04; B65D 83/04;
B65D 83/0445; B65D 83/0481; A61J

FIG. 9 is a top perspective view of the pill organizer portion of the pill box with pill organizer, shown separately and in an open configuration;

1/00; A61J 1/03; A61J 7/04; A61J 7/0084
See application file for complete search history.

FIG. 10 is a top perspective view of the pill box portion of the pill box with pill organizer, shown separately for ease of disclosure;

(56) **References Cited**

FIG. 11 is a bottom perspective view thereof;

U.S. PATENT DOCUMENTS

D227,552 S * 7/1973 Bridges et al. D3/203.3
D281,225 S * 11/1985 Leman D3/203.3
4,735,318 A * 4/1988 Keffeler A61J 1/03
206/532
D298,803 S * 12/1988 Ebling D3/203.3
D304,905 S * 12/1989 Zimmerman D3/203.3
D337,725 S * 7/1993 Bunin D3/203.3
D457,819 S * 5/2002 Noble D10/40
D525,777 S * 8/2006 Priebe D3/203.3

FIG. 12 is a front elevational view thereof;

FIG. 13 is a rear elevational view thereof;

FIG. 14 is a left side elevational view thereof;

FIG. 15 is a right side elevational view thereof;

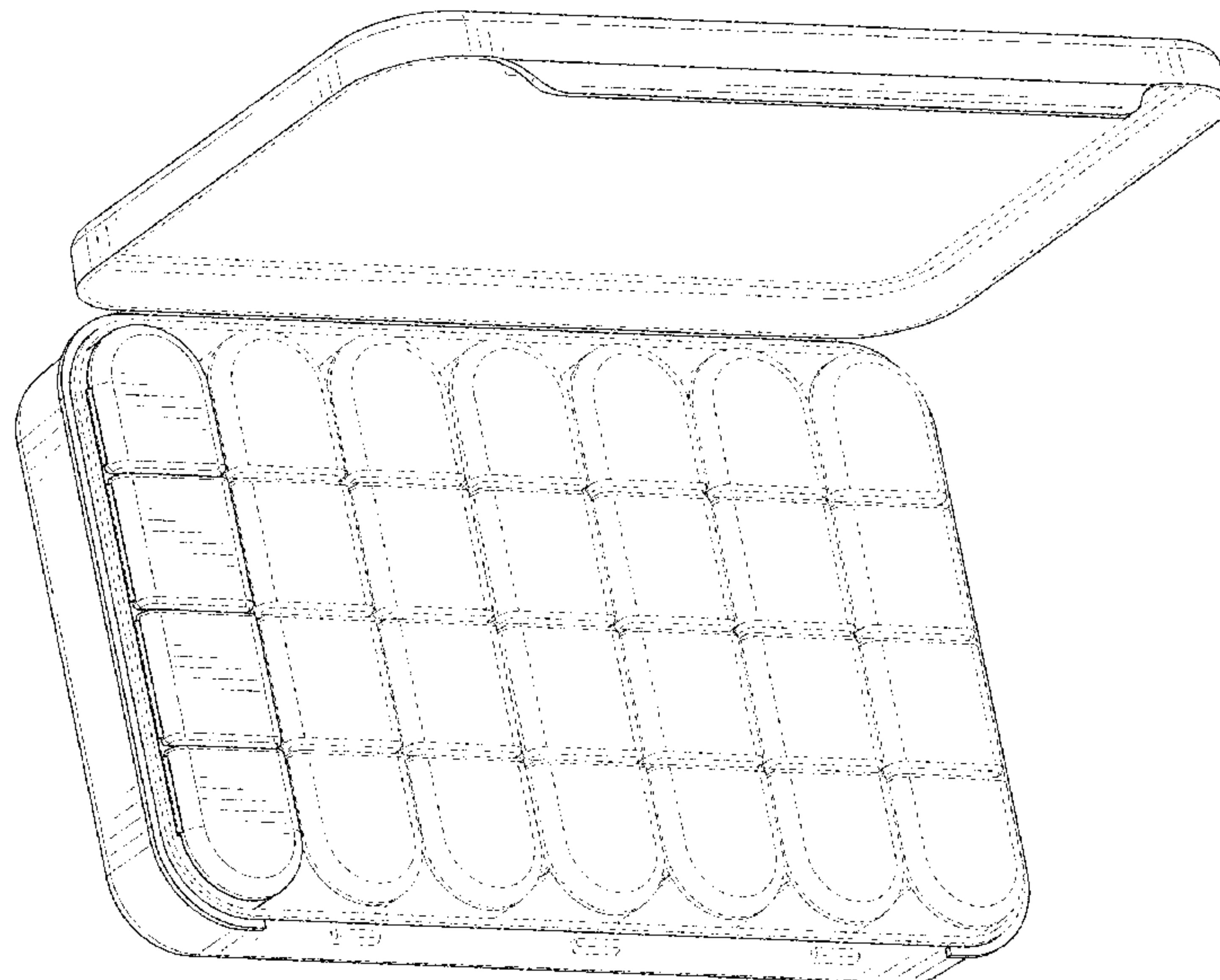
FIG. 16 is a top plan view thereof;

FIG. 17 is a bottom plan view thereof; and,

FIG. 18 is a top perspective view of the pill box with pill organizer, shown in use and in an open configuration.

The broken lines in the drawings depict portions of the pill box with pill organizer that form no part of the claimed design.

1 Claim, 18 Drawing Sheets



(56)

References Cited

U.S. PATENT DOCUMENTS

7,395,929 B2 * 7/2008 Keffeler B65D 83/0445
206/528
D576,404 S * 9/2008 Cooper D3/203.3
D587,005 S * 2/2009 Gardner D3/203.3
7,494,012 B1 * 2/2009 Priebe A61J 1/03
206/1.5
D587,898 S * 3/2009 Cetera D3/203.2
7,624,890 B2 * 12/2009 Noble B65D 43/162
220/324
D612,894 S * 3/2010 Evans D21/392
7,798,330 B2 * 9/2010 Noble B65D 83/04
206/1.5
8,174,370 B1 * 5/2012 Fulmer-Mason A61J 7/0409
206/534
D684,355 S * 6/2013 Priebe D3/203.3
D686,407 S * 7/2013 Mazur D3/203.3
D691,366 S * 10/2013 Muncy D3/203.3
D696,008 S * 12/2013 Priebe D3/203.3
D696,010 S * 12/2013 Priebe D3/203.3
D698,141 S * 1/2014 Priebe D3/203.3
D698,540 S * 2/2014 Priebe D3/203.3
D709,282 S * 7/2014 Priebe D3/203.3
9,161,885 B1 * 10/2015 Zhou A61J 7/0418
D747,869 S * 1/2016 Priebe D3/203.3
9,289,354 B2 * 3/2016 Ryan A61J 1/03
D775,462 S * 1/2017 Noble D3/203.3
9,937,101 B2 * 4/2018 Sheu A61J 7/0084
D821,738 S * 7/2018 Small D3/203.2
D831,331 S * 10/2018 Lee D3/203.3
D833,733 S * 11/2018 Chen D3/203.3
10,420,703 B1 * 9/2019 Lee A61J 7/0084
D877,489 S * 3/2020 Lee D3/203.2
2004/0251165 A1 * 12/2004 Girzaitis A61J 7/04
206/534
2006/0144748 A1 7/2006 Slaughter

* cited by examiner

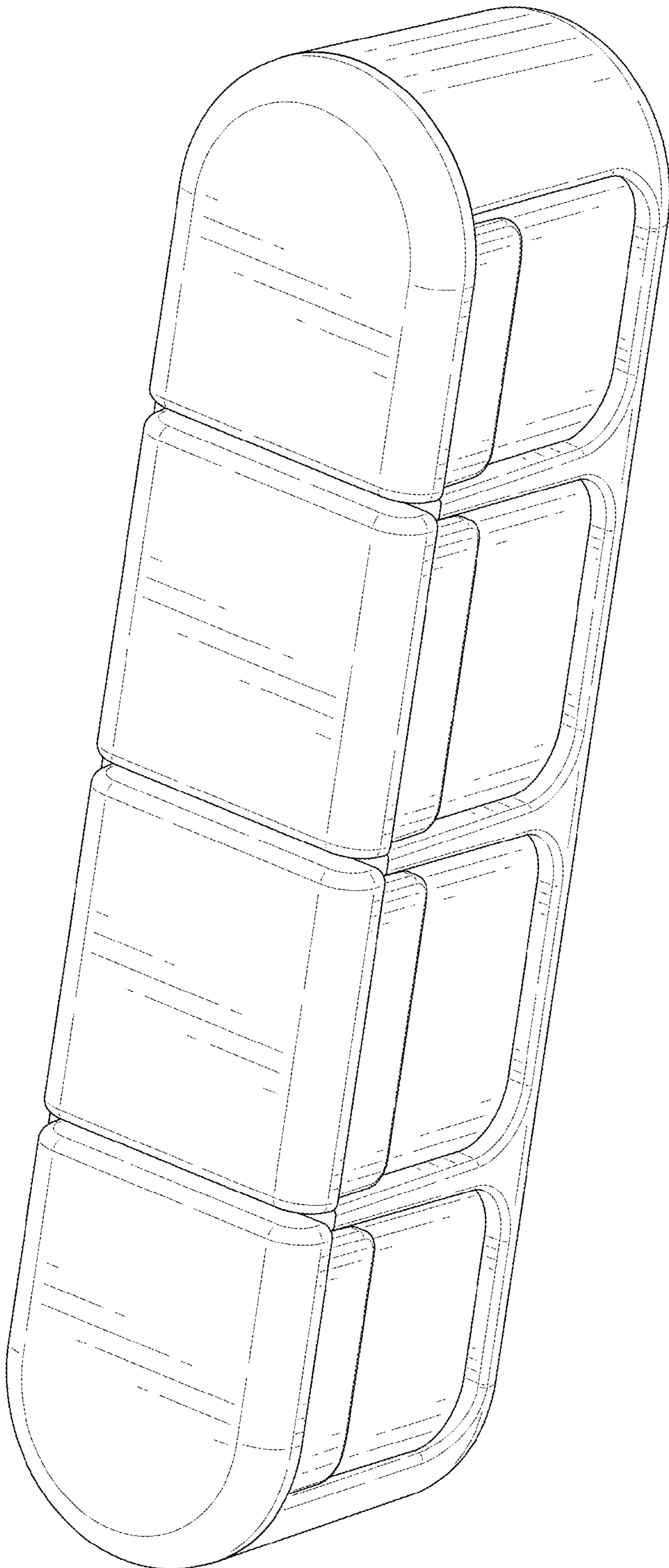


FIG. 1

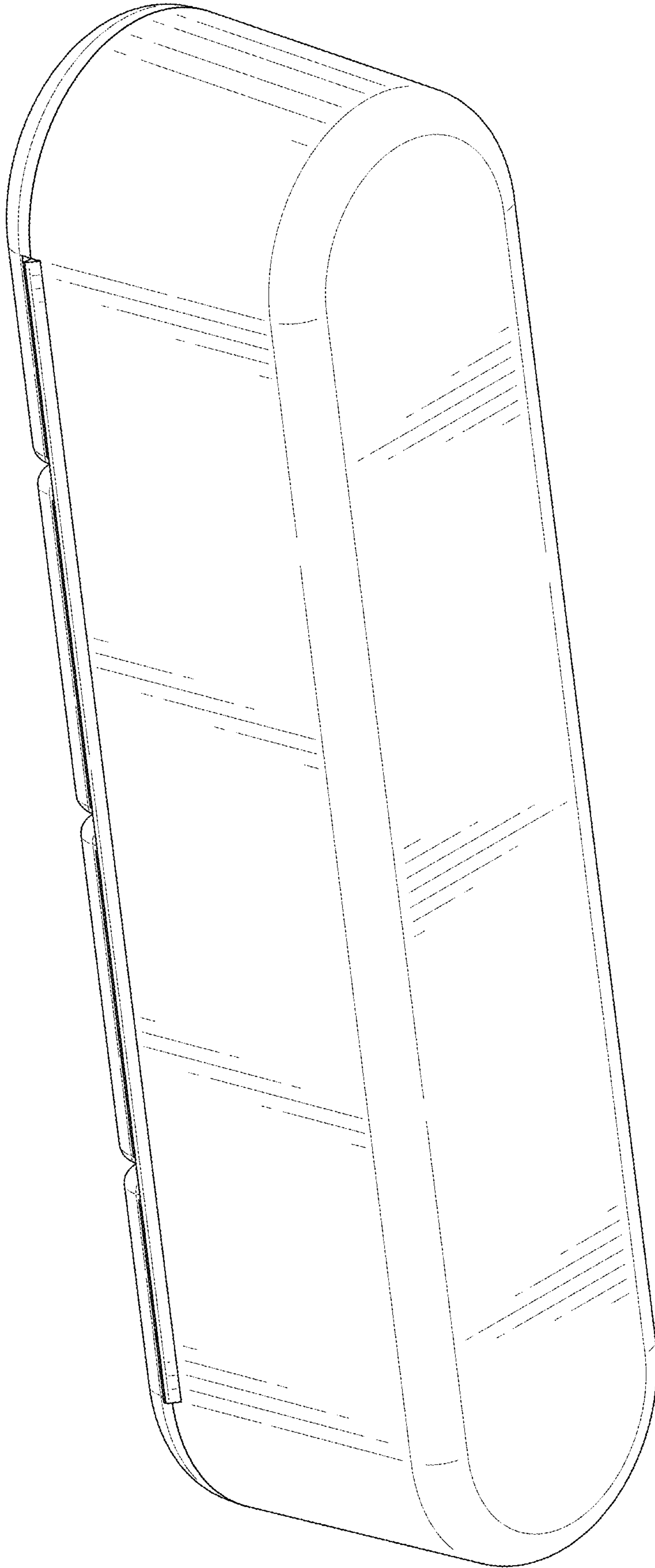


FIG. 2

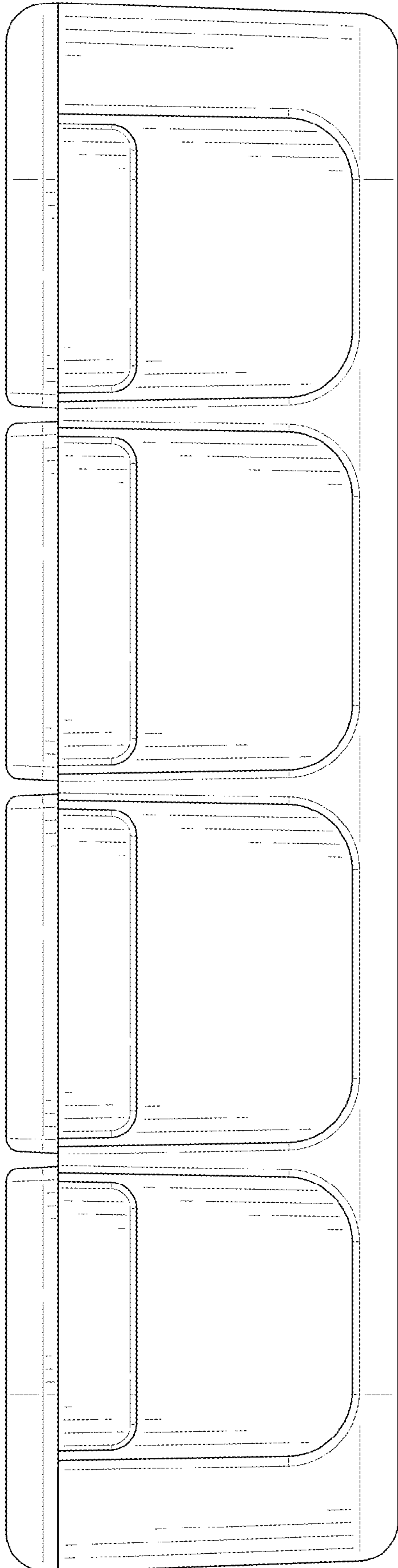


FIG. 3

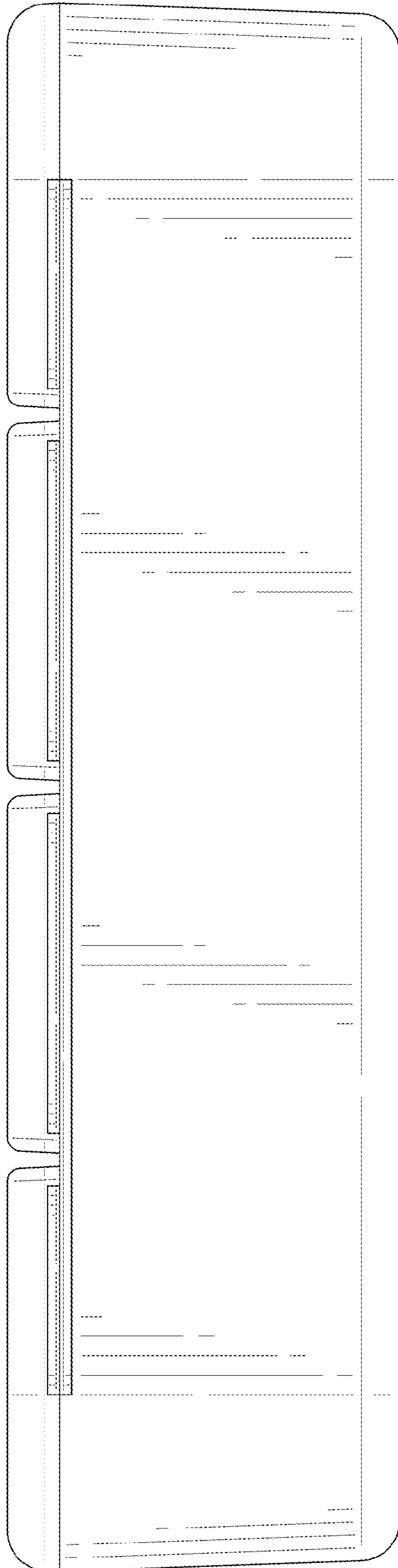


FIG. 4

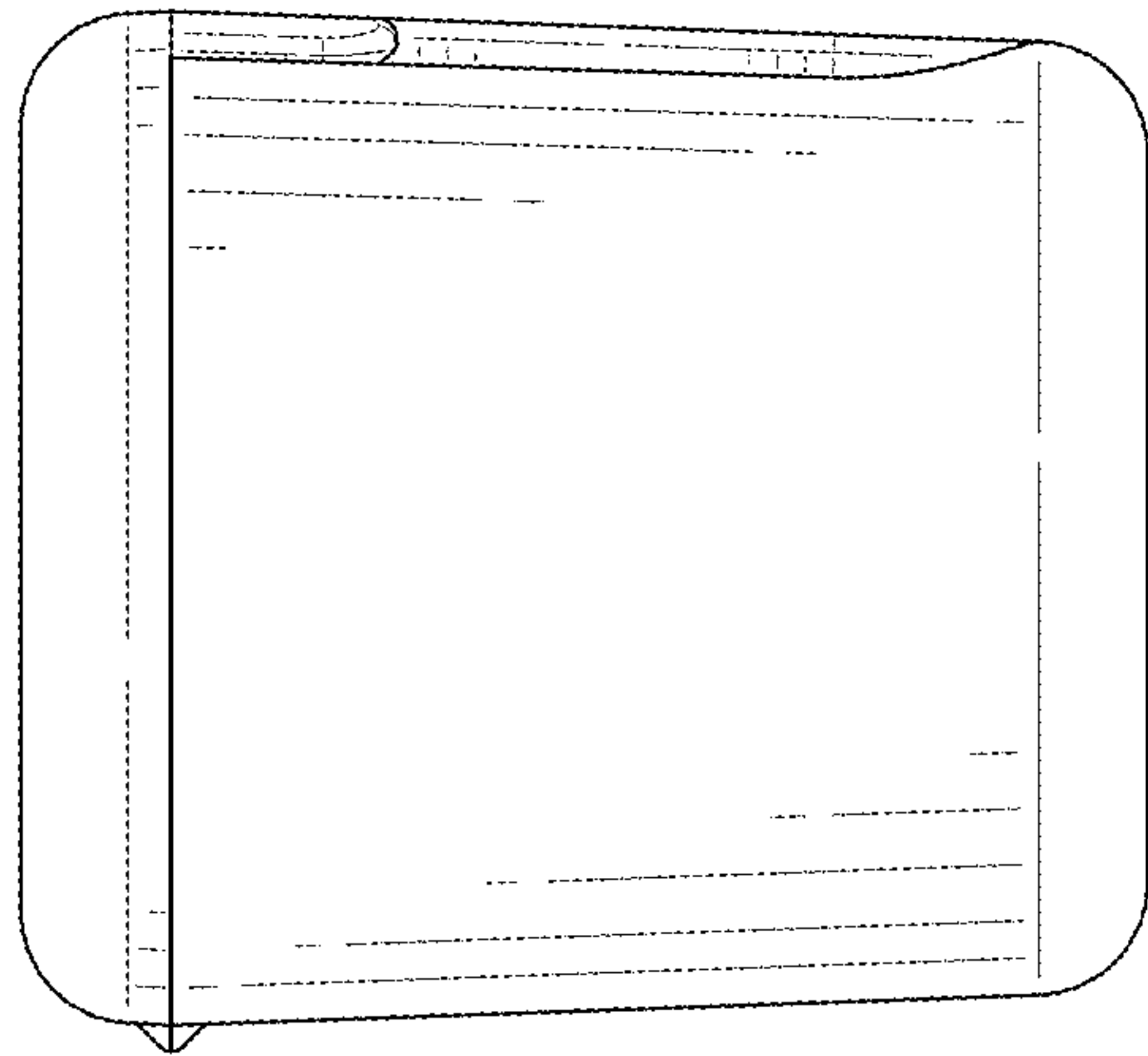


FIG. 5

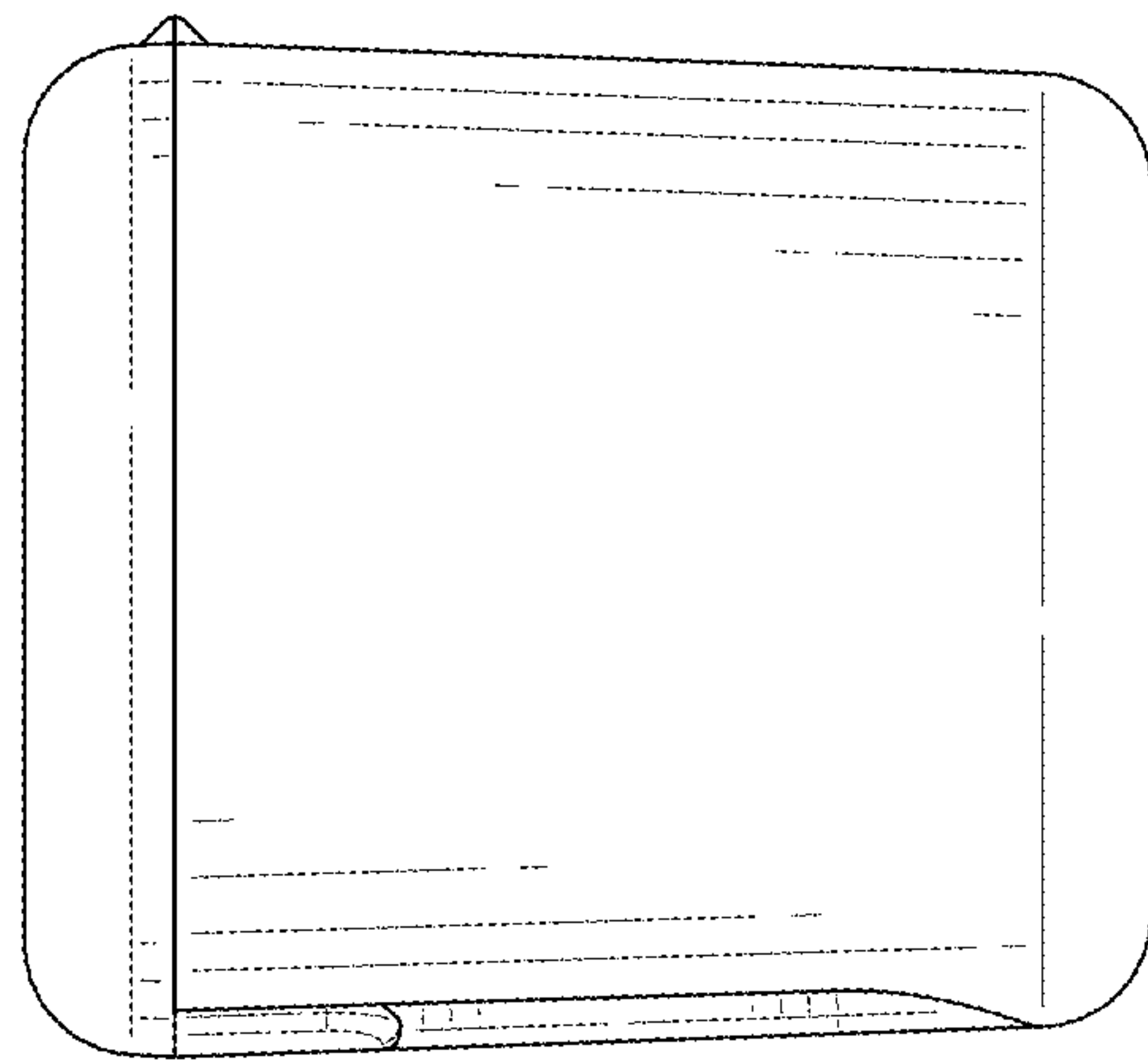


FIG. 6

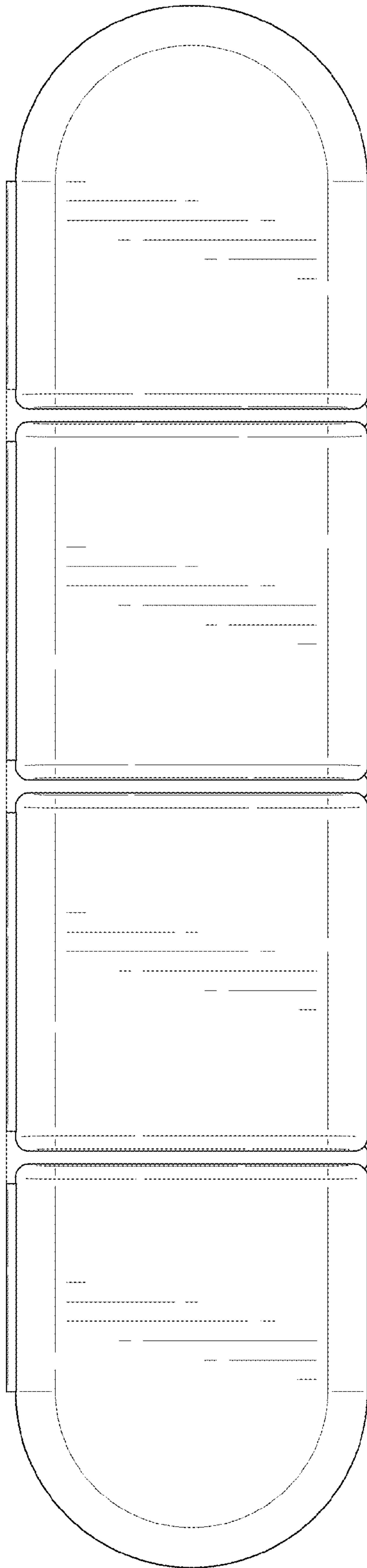


FIG. 7

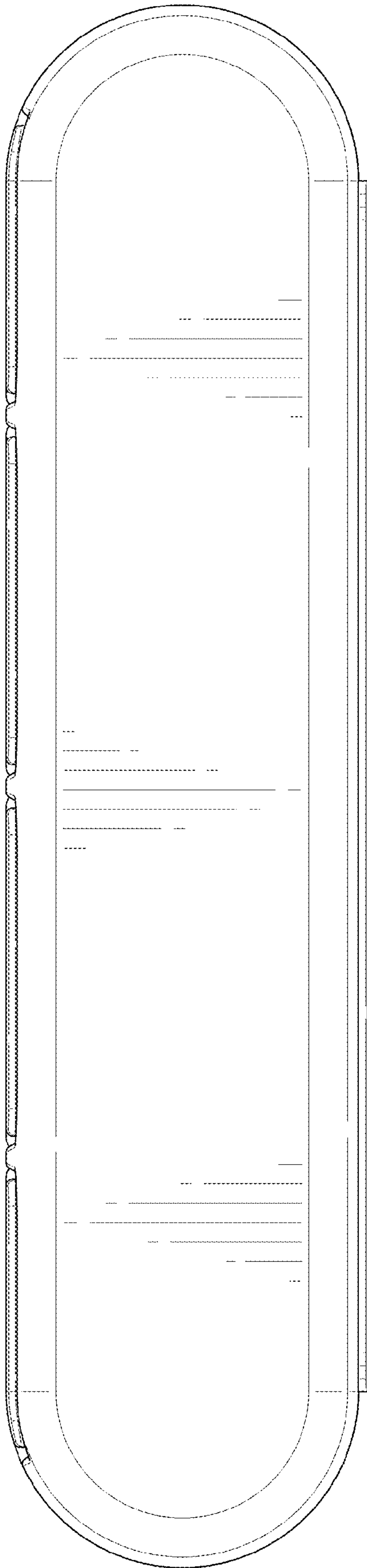


FIG. 8

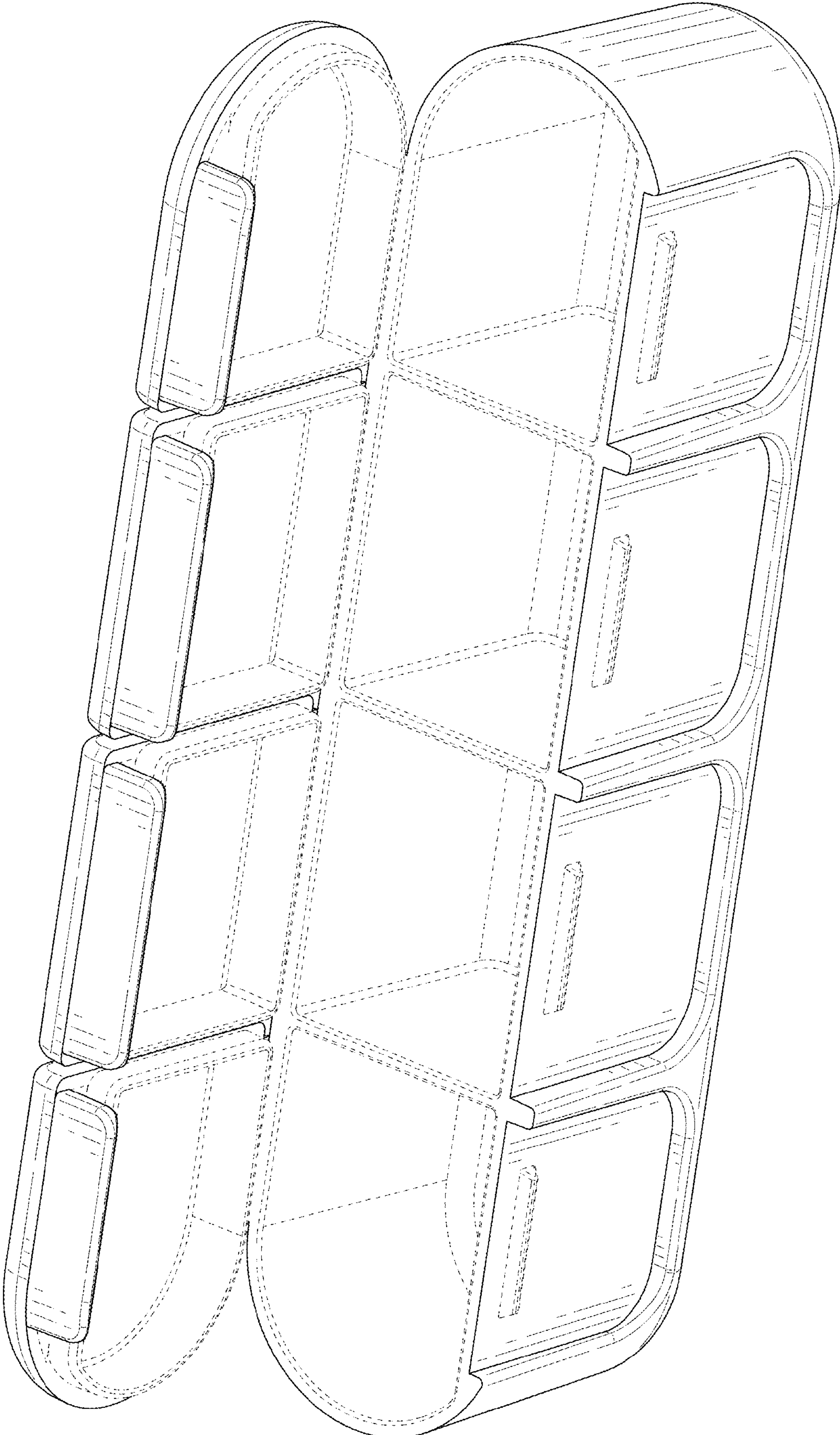


FIG. 9

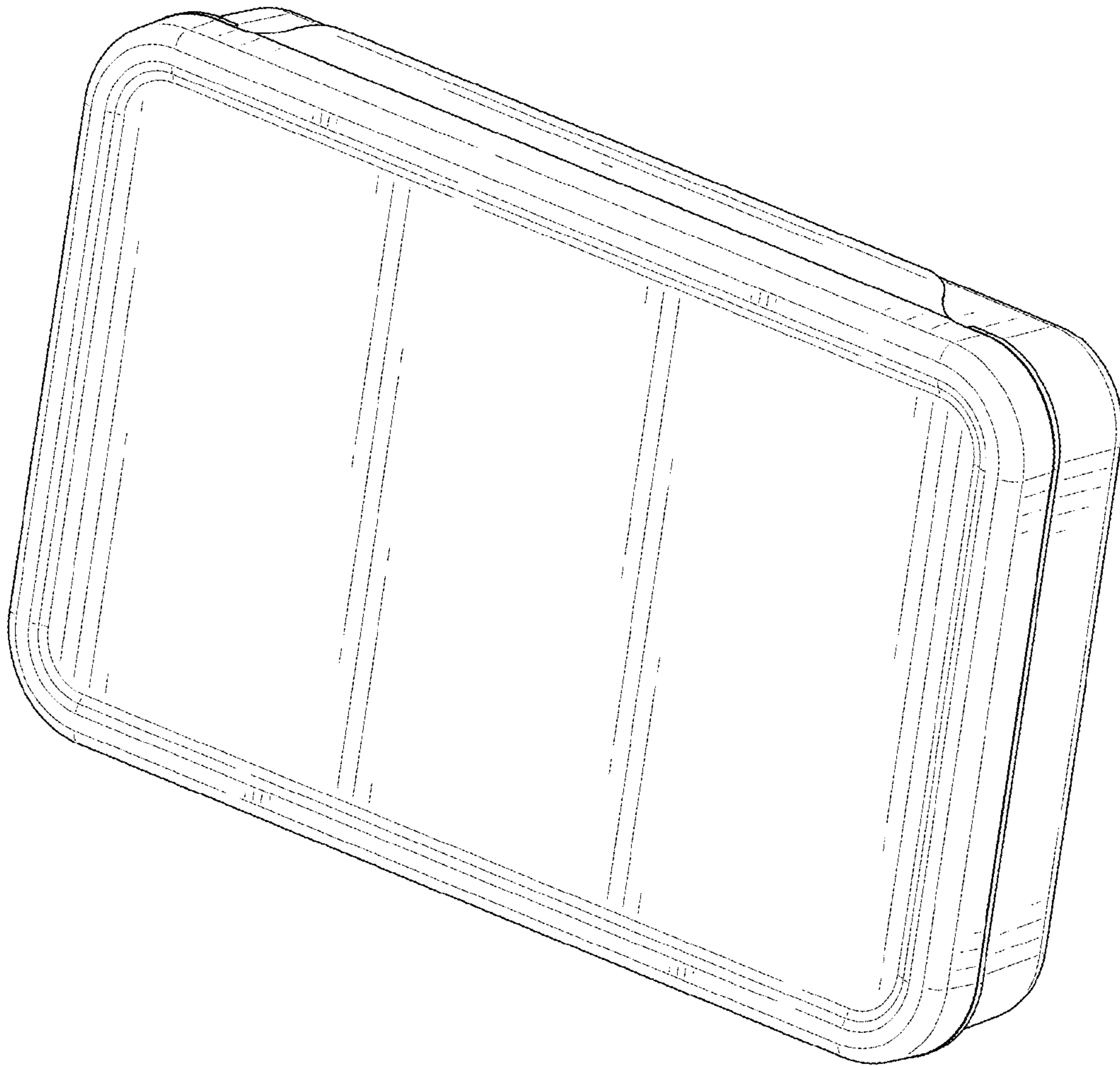


FIG. 10

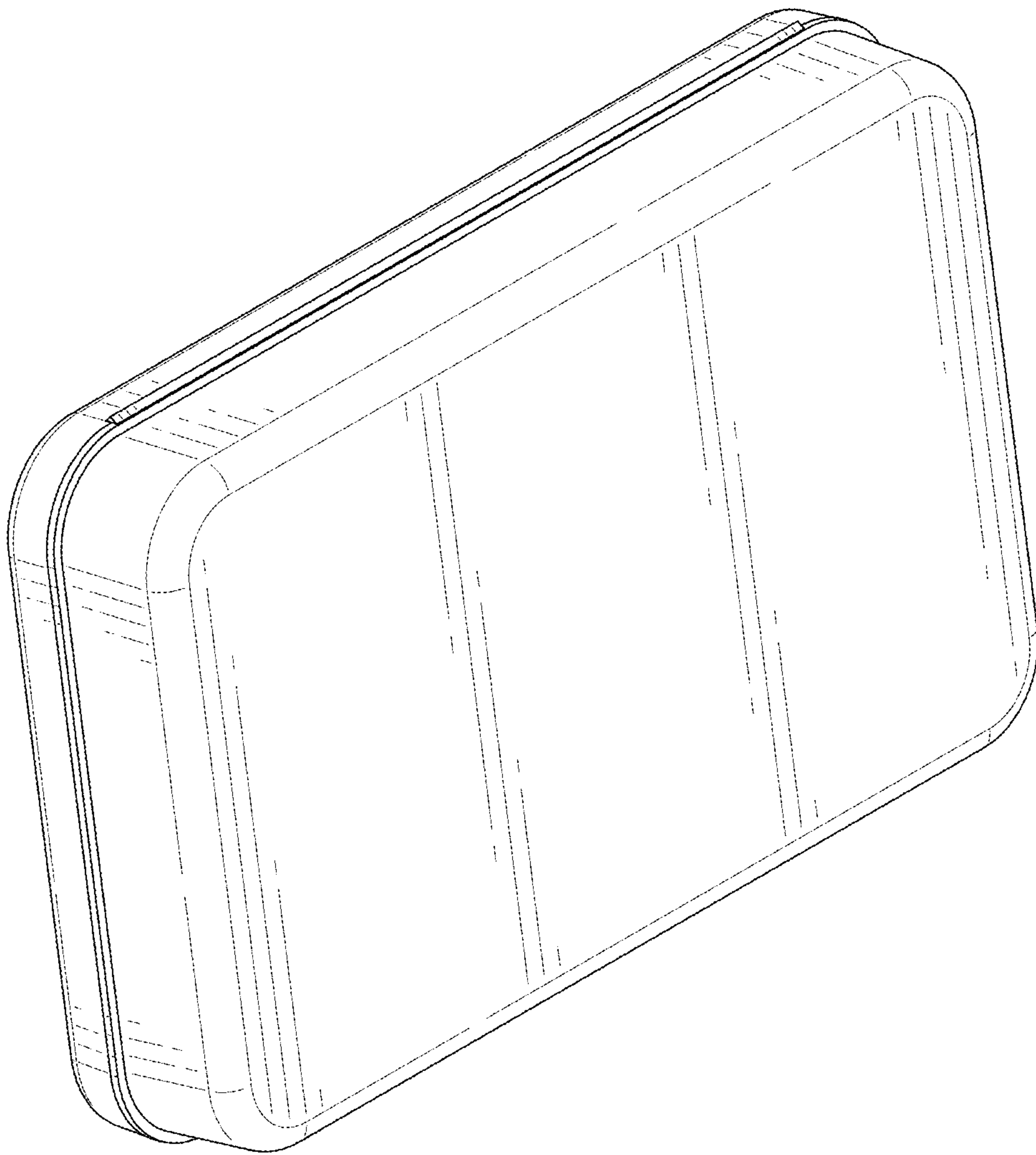


FIG. 11

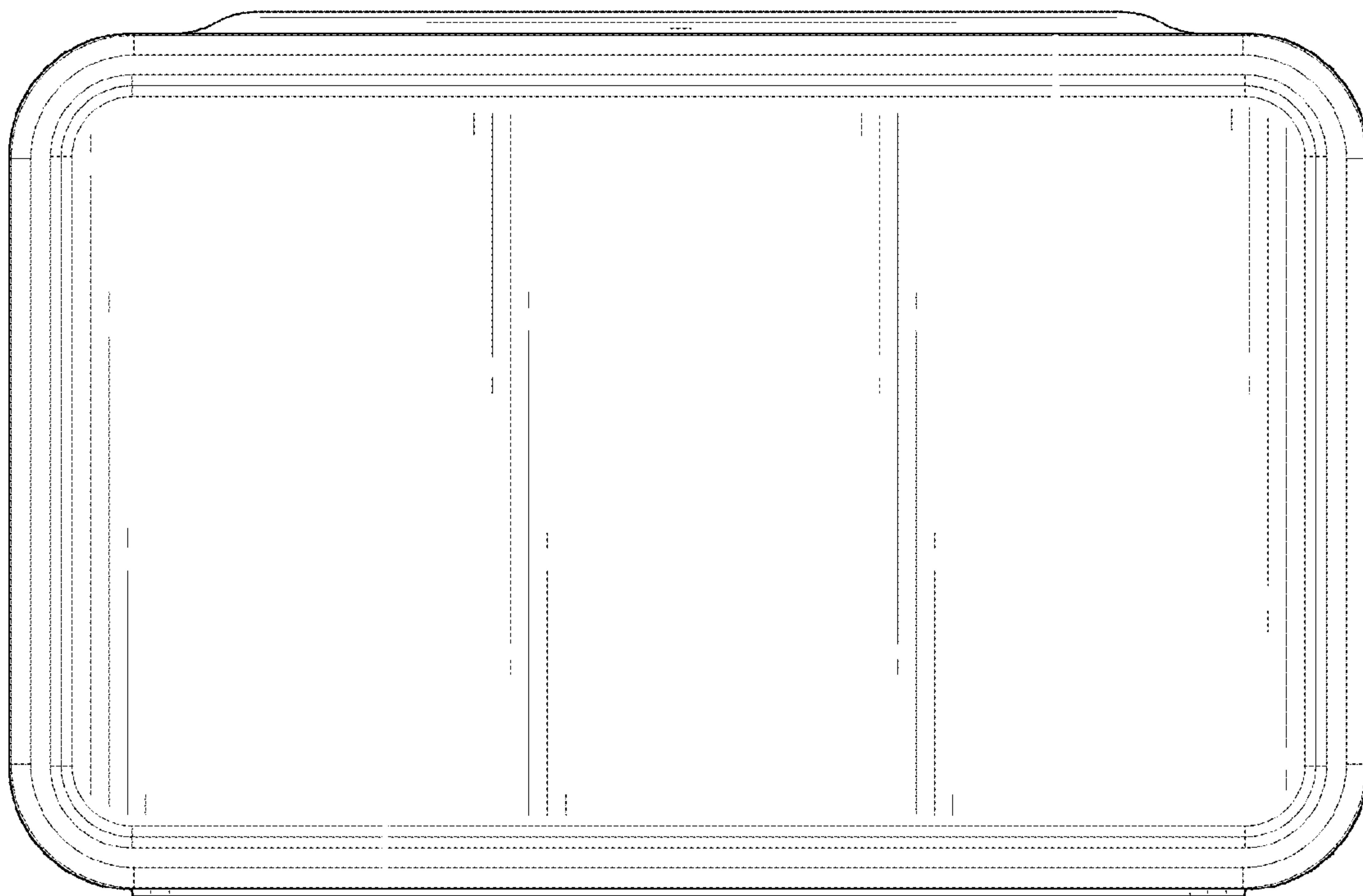


FIG. 12

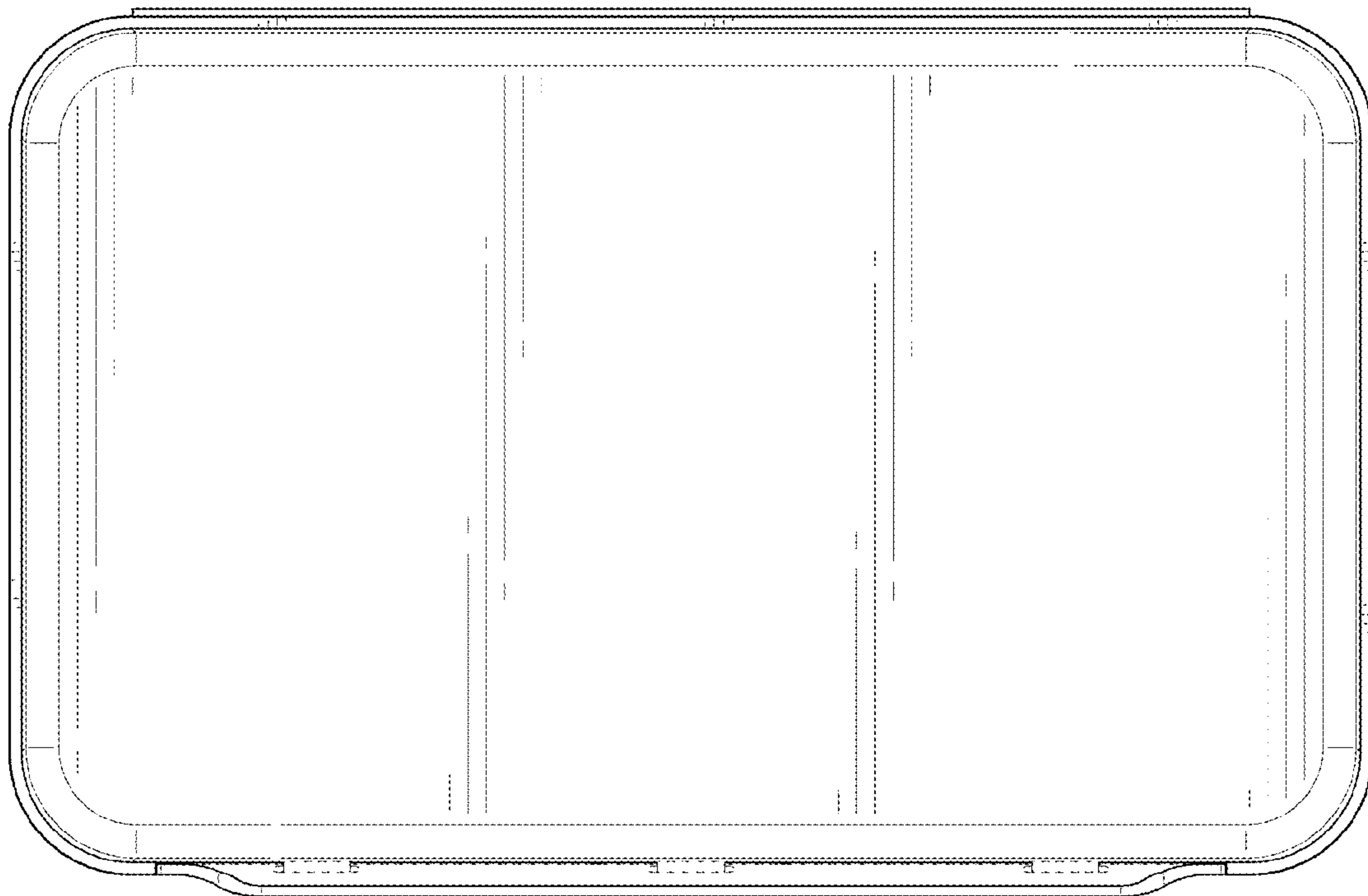


FIG. 13

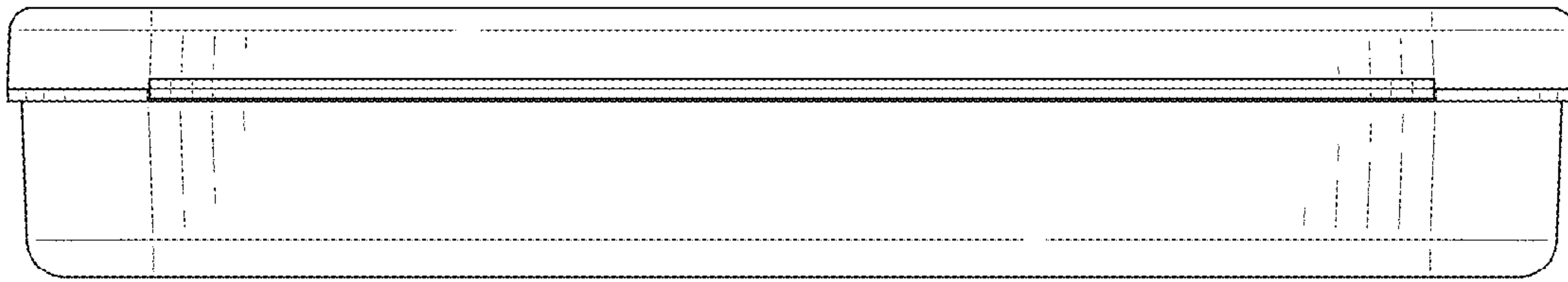


FIG. 14

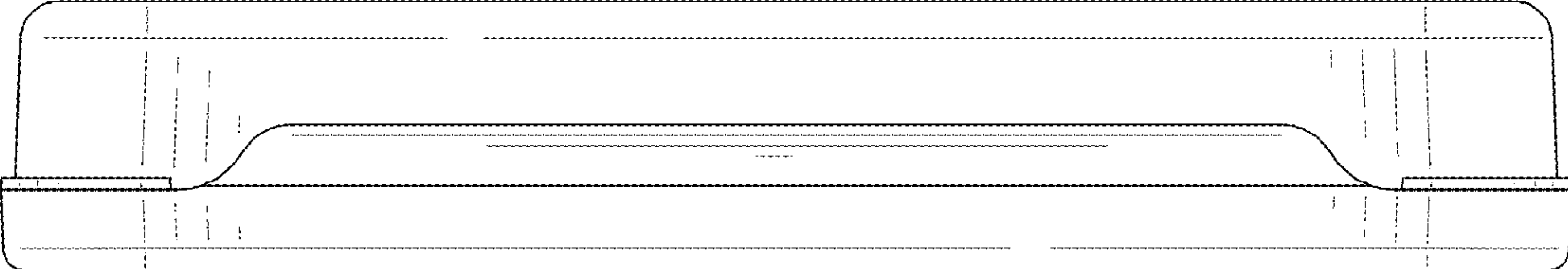


FIG. 15

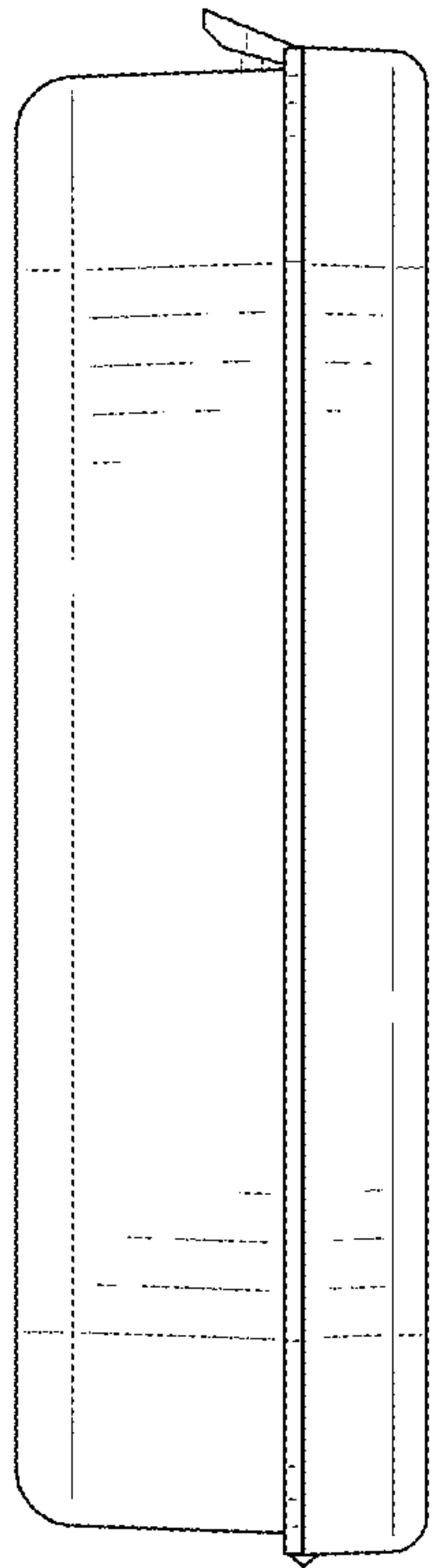


FIG. 16

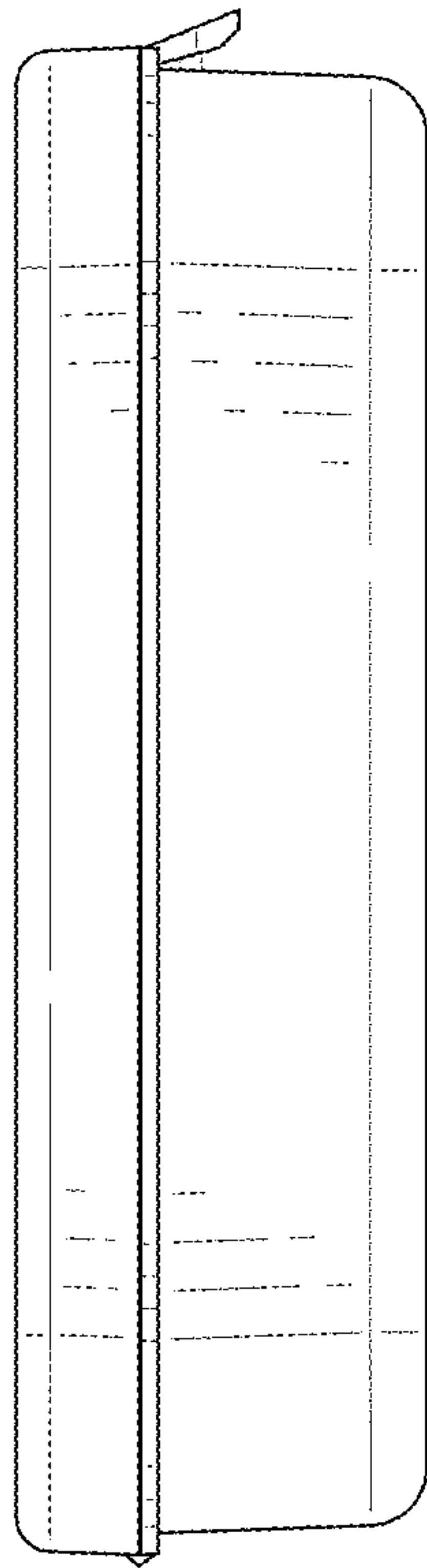


FIG. 17

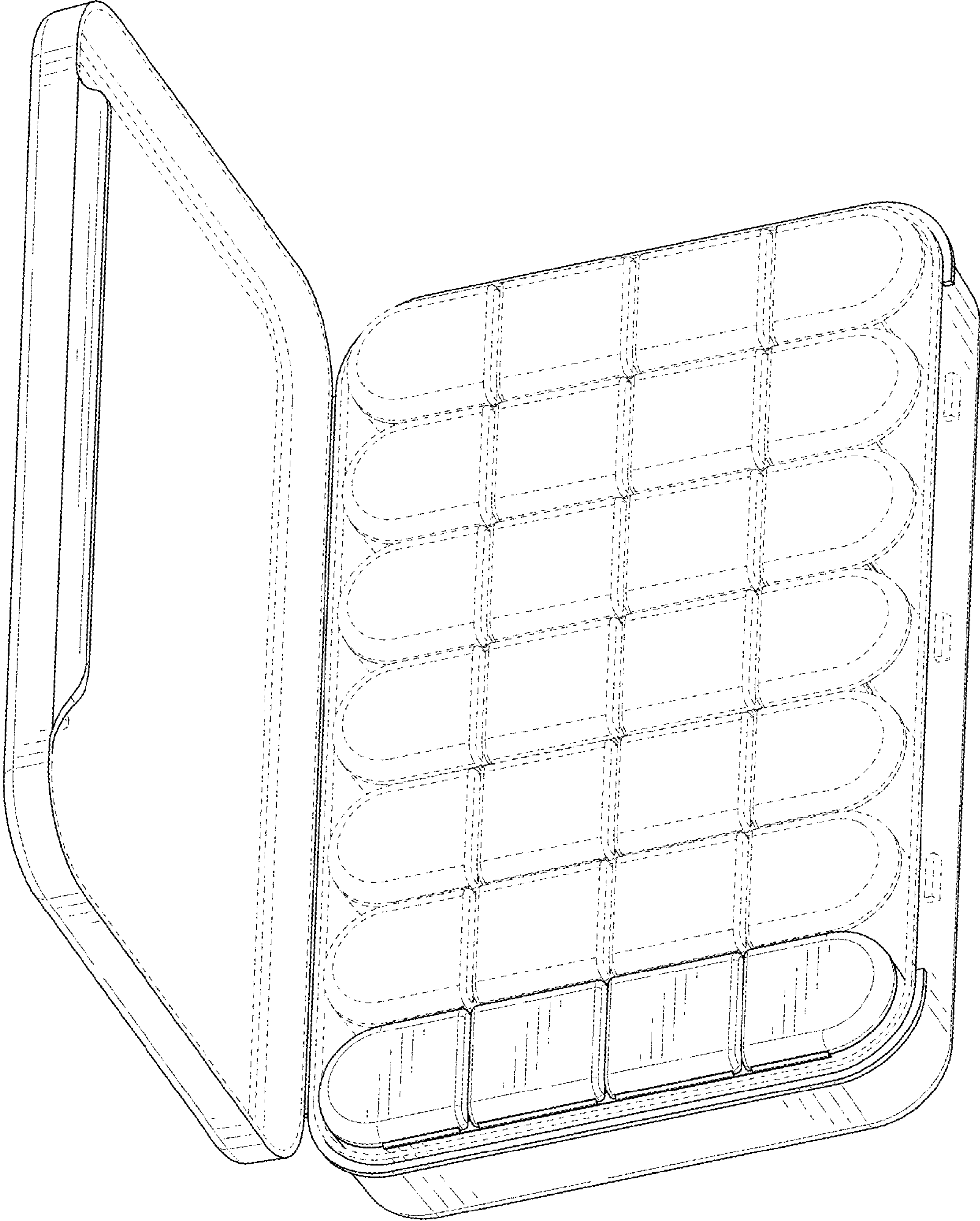


FIG. 18