



US00D895955S

(12) **United States Design Patent**
Sciutto

(10) **Patent No.:** **US D895,955 S**

(45) **Date of Patent:** **** Sep. 15, 2020**

(54) **SHOE DECORATION**

(71) Applicant: **SERGIO ROSSI S.P.A.**, San Mauro
Pascoli (FC) (IT)

(72) Inventor: **Riccardo Sciutto**, Milan (IT)

(**) Term: **15 Years**

(21) Appl. No.: **35/507,055**

(22) Filed: **Jan. 8, 2019**

(80) **Hague Agreement Data**

Int. Filing Date: **Jan. 8, 2019**

Int. Reg. No.: **DM/201639**

Int. Reg. Date: **Jan. 8, 2019**

Int. Reg. Pub. Date: **Jul. 12, 2019**

(51) **LOC (12) Cl.** **02-07**

(52) **U.S. Cl.**
USPC **D2/976**

(58) **Field of Classification Search**

USPC D2/896, 902, 905, 906, 907, 908, 943,
D2/944, 945, 946, 947, 951, 960, 972,
D2/973, 976, 977

CPC ... A43B 13/141; A43B 23/0235; A43B 13/16;
A43B 13/181; A43B 13/184; A43B
13/187; A43B 13/188; A43B 1/0027;
A43B 23/25; A43B 3/16; A41D 20/00;
A41D 23/00; A45D 2008/004; A45D
2008/006; A45D 8/34

See application file for complete search history.

(56) **References Cited**

U.S. PATENT DOCUMENTS

D100,038 S * 6/1936 O'Brien D2/976
D522,726 S * 6/2006 Choi D2/971

D656,717 S * 4/2012 Abramowitz D2/946
D748,901 S * 2/2016 Weitzman D2/950
D787,172 S * 5/2017 Buscemi D2/973
D797,414 S * 9/2017 Castilho De Brito D2/929
D812,364 S * 3/2018 Rawlins D2/976
D812,869 S * 3/2018 Castilho De Brito D2/941
D814,165 S * 4/2018 McClaskie D2/971
D876,072 S * 2/2020 Lee D2/971
2006/0101673 A1* 5/2006 Robinson A43B 23/24
36/136
2010/0037488 A1* 2/2010 Moffitt A43B 1/0081
36/136
2010/0115793 A1* 5/2010 Kraisosky A43B 3/24
36/94

* cited by examiner

Primary Examiner — Jennifer L Watkins

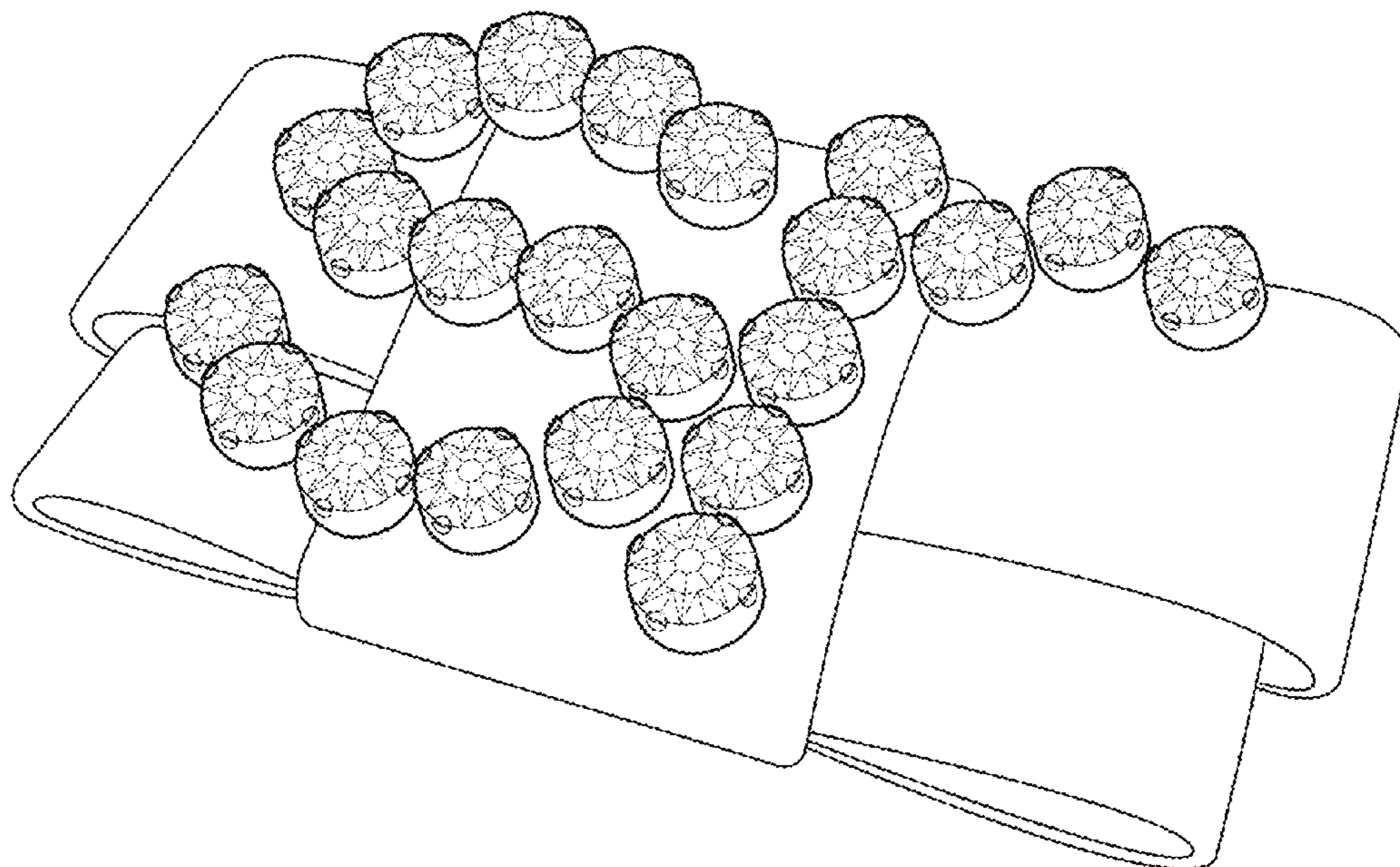
(57) **CLAIM**

The ornamental design for a shoe decoration, as shown and described.

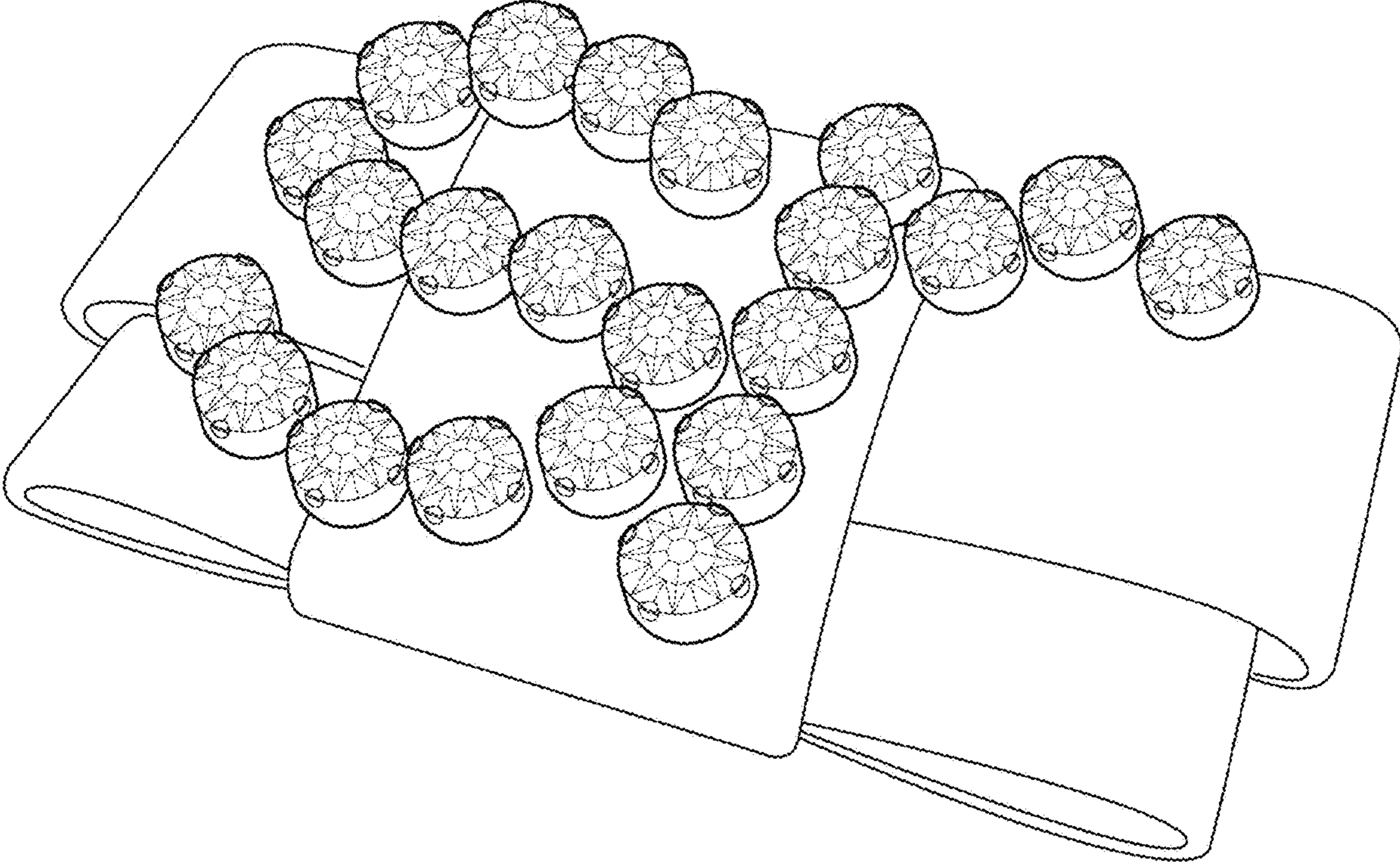
DESCRIPTION

1. Shoe decoration
fig. 1.1 is a perspective view of the design; fig. 1.2 is a front view of the design; fig. 1.3 is a rear view of the design; fig. 1.4 is a right view of the design; fig. 1.5 is a left view of the design; fig. 1.6 is a top view of the design; fig. 1.7 is a bottom view of the design; figs. 1.8 and 1.9 shows possible applications of the design to a footwear; in figs. 1.8 and 1.9 features shown in broken lines do not form part of the design.

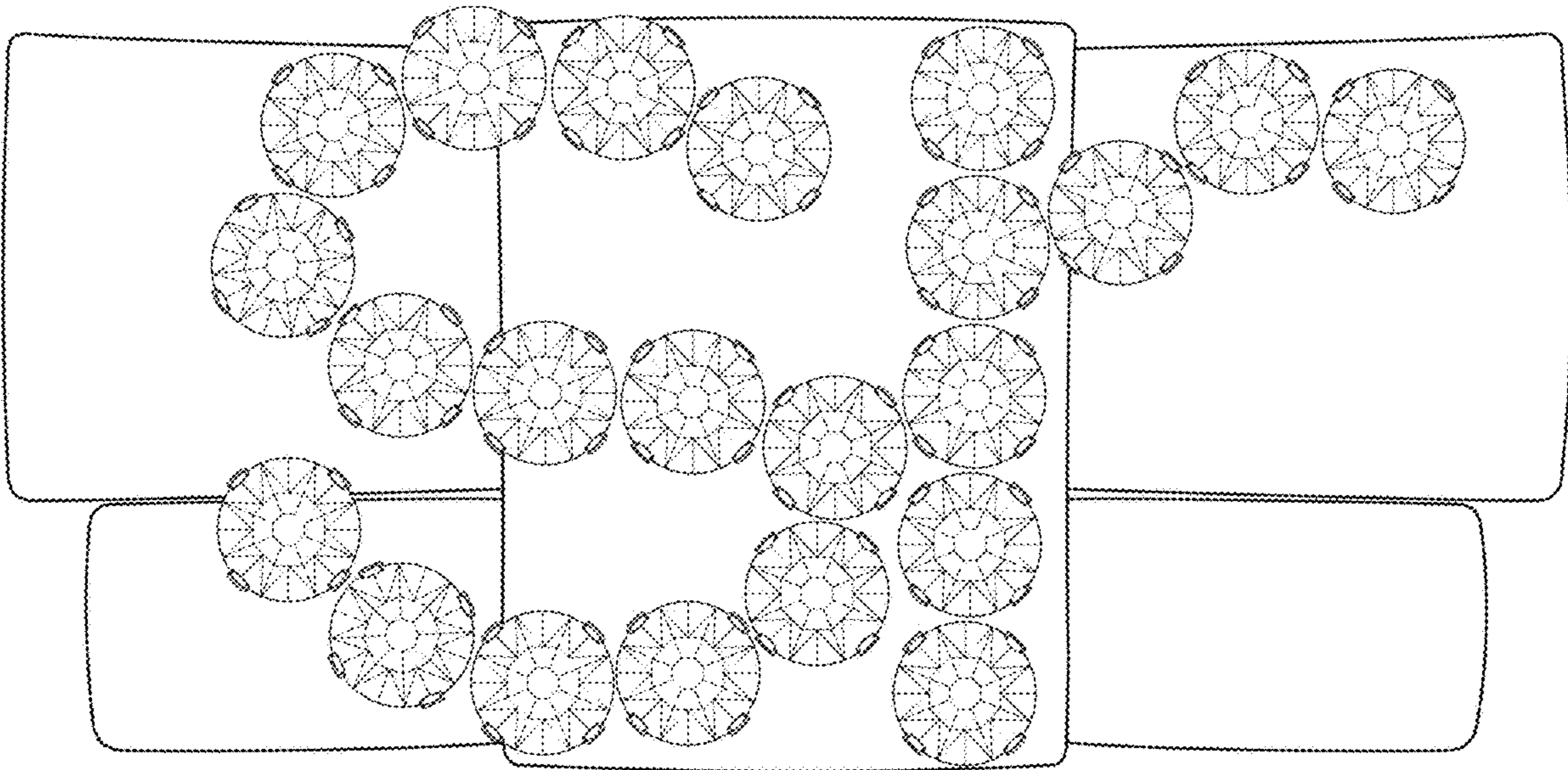
1 Claim, 9 Drawing Sheets



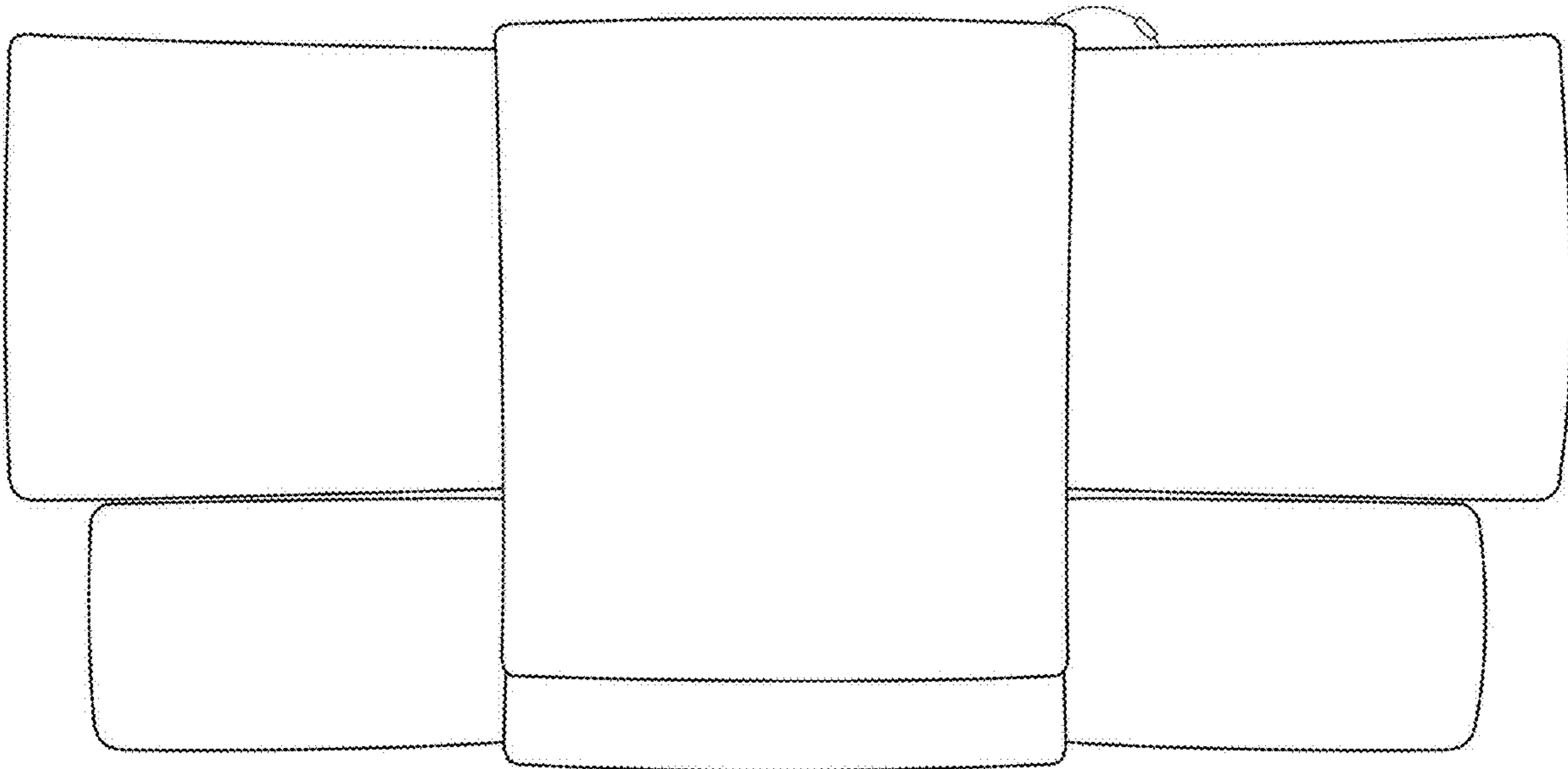
1.1



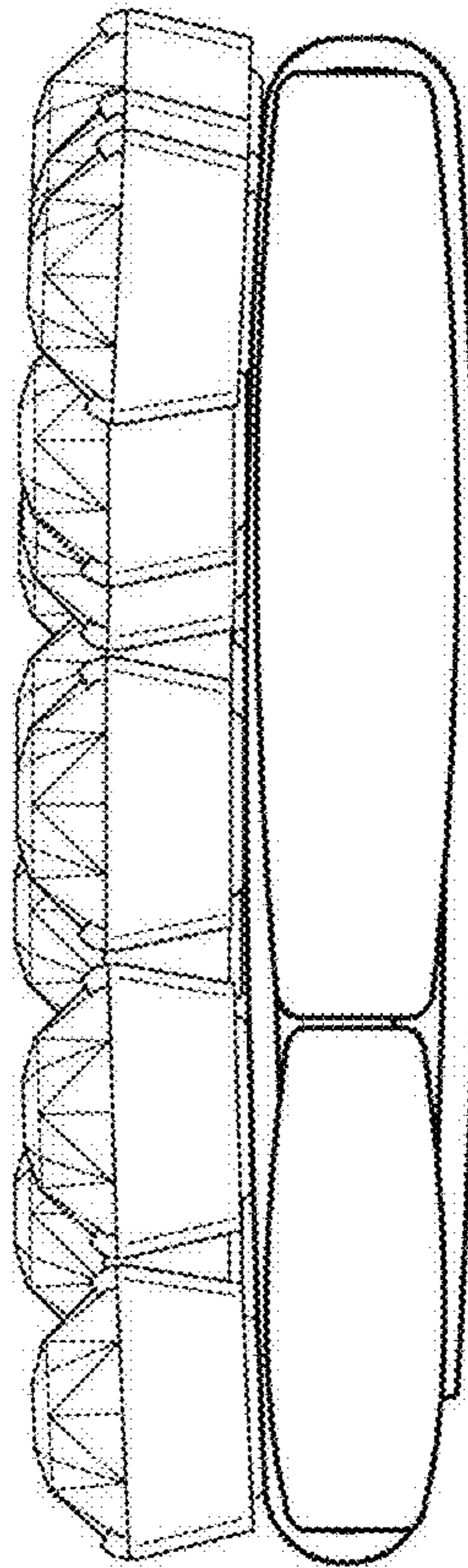
1.2



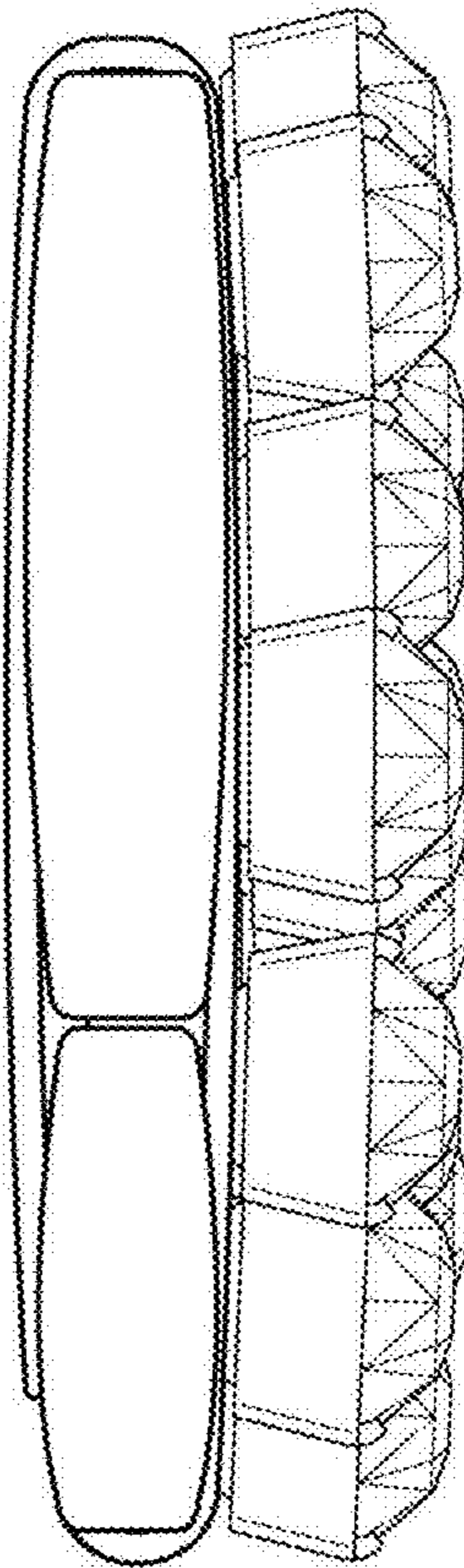
1.3

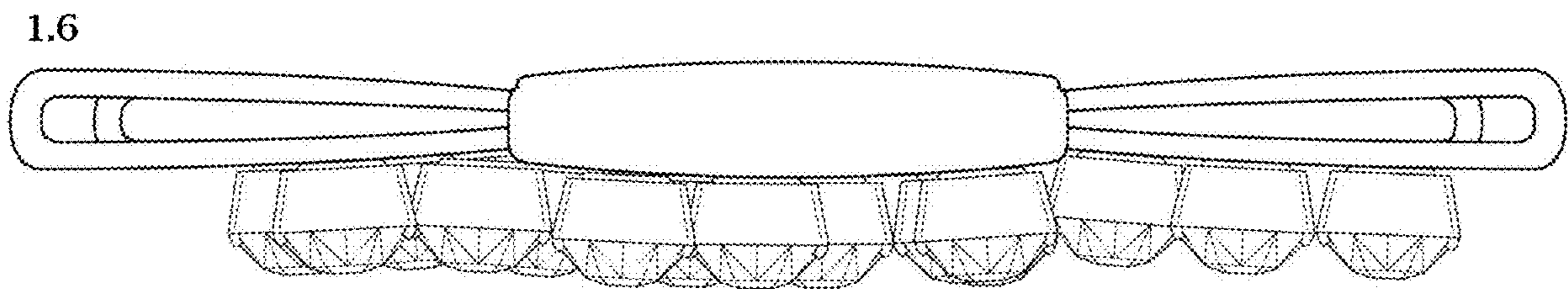


1.4

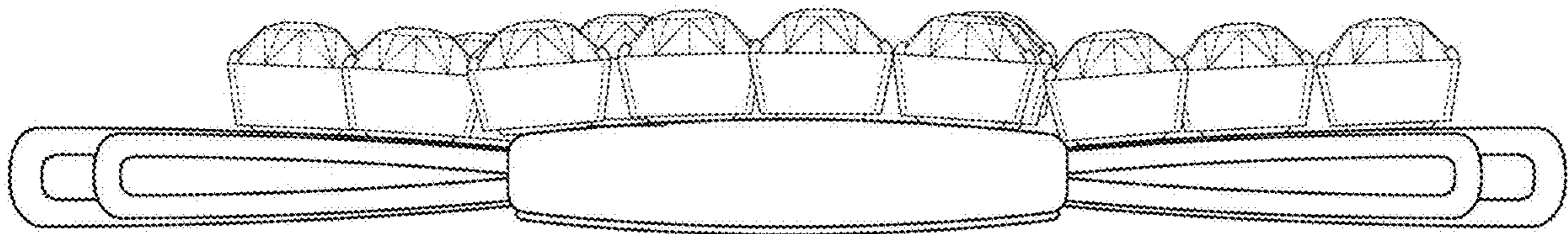


1.5

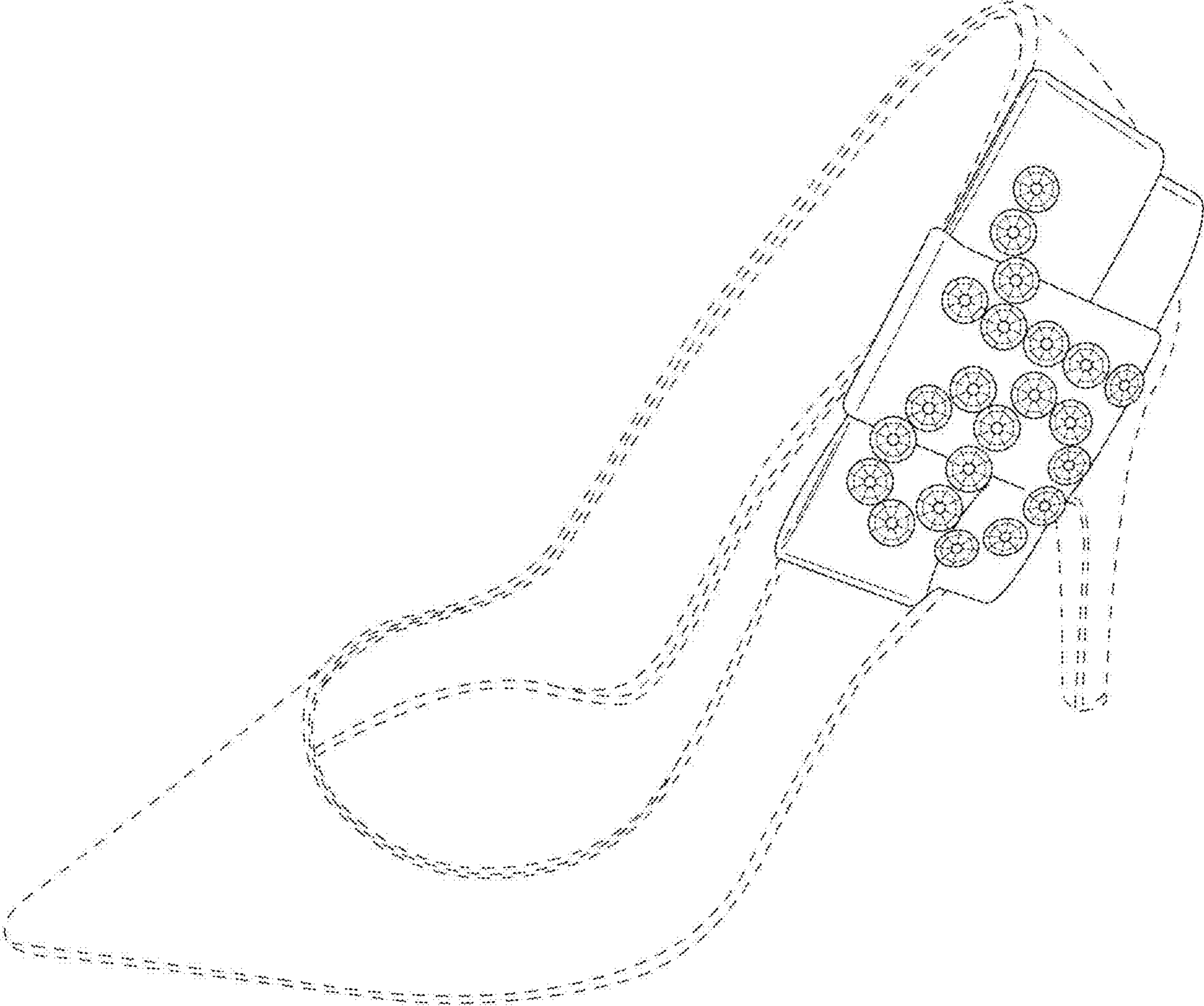




1.7



1.8



1.9

