



US00D895937S

(12) **United States Design Patent** (10) **Patent No.:** **US D895,937 S**
Eldridge et al. (45) **Date of Patent:** **** Sep. 15, 2020**

(54) **ATTACHMENT FOR A CAP**

FOREIGN PATENT DOCUMENTS

(71) Applicant: **Snaps Ventures Inc.**, New York, NY (US)

EM DM/093473 4/2017
EM DM/099239 1/2018

(Continued)

(72) Inventors: **Matthew Ryan Eldridge**, Moncton (CA); **Sydney Diane Bakich**, New York, NY (US)

OTHER PUBLICATIONS

(73) Assignee: **Snaps Ventures Inc.**, New York, NY (US)

Snaps Facebook photo, [online]; [published to the Internet on Nov. 18, 2018]; [retrieved from the Internet on Jan. 24, 20202]; URL: <https://www.facebook.com/snaps.ltd/photos/a.1151668998318962/1168036280015567/?type=3>. (1 pg.). (Year: 2018).*

(**) Term: **15 Years**

(Continued)

(21) Appl. No.: **29/680,339**

Primary Examiner — Jasmine Mlinarcik

(22) Filed: **Feb. 14, 2019**

(74) *Attorney, Agent, or Firm* — Wolf, Greenfield & Sacks, P.C.

(51) **LOC (12) Cl.** **02-03**

(52) **U.S. Cl.**

(57) **CLAIM**

USPC **D2/891**

The ornamental design for an attachment for a cap, as shown and described.

(58) **Field of Classification Search**

DESCRIPTION

USPC D2/865, 866, 867, 869, 870, 871, 872, D2/873, 874, 875, 876, 877, 878, 879, D2/880, 881, 882, 883, 884, 885, 886, D2/887, 888, 889, 890, 891, 892, 893, D2/894, 895, 639, 976; D11/91, 222; D19/65; D26/39; D29/122, 129, 110
CPC A42B 1/00; A42B 1/002; A42B 1/004; A42B 1/006; A42B 1/02; A42B 1/062; A42B 1/064; A42B 1/205; A42B 1/22; A42B 1/24; A42B 1/248; A42B 7/00

See application file for complete search history.

FIG. 1 is a front perspective view of an attachment for a cap showing our new design;
FIG. 2 is a rear perspective view thereof;
FIG. 3 is a front elevation view thereof;
FIG. 4 is a rear elevation view thereof;
FIG. 5 is a left-side elevation view thereof;
FIG. 6 is a right-side elevation view thereof;
FIG. 7 is a top plan view thereof;
FIG. 8 is a bottom plan view thereof; and,
FIG. 9 is a front perspective view thereof shown in the environment of a cap.

(56) **References Cited**

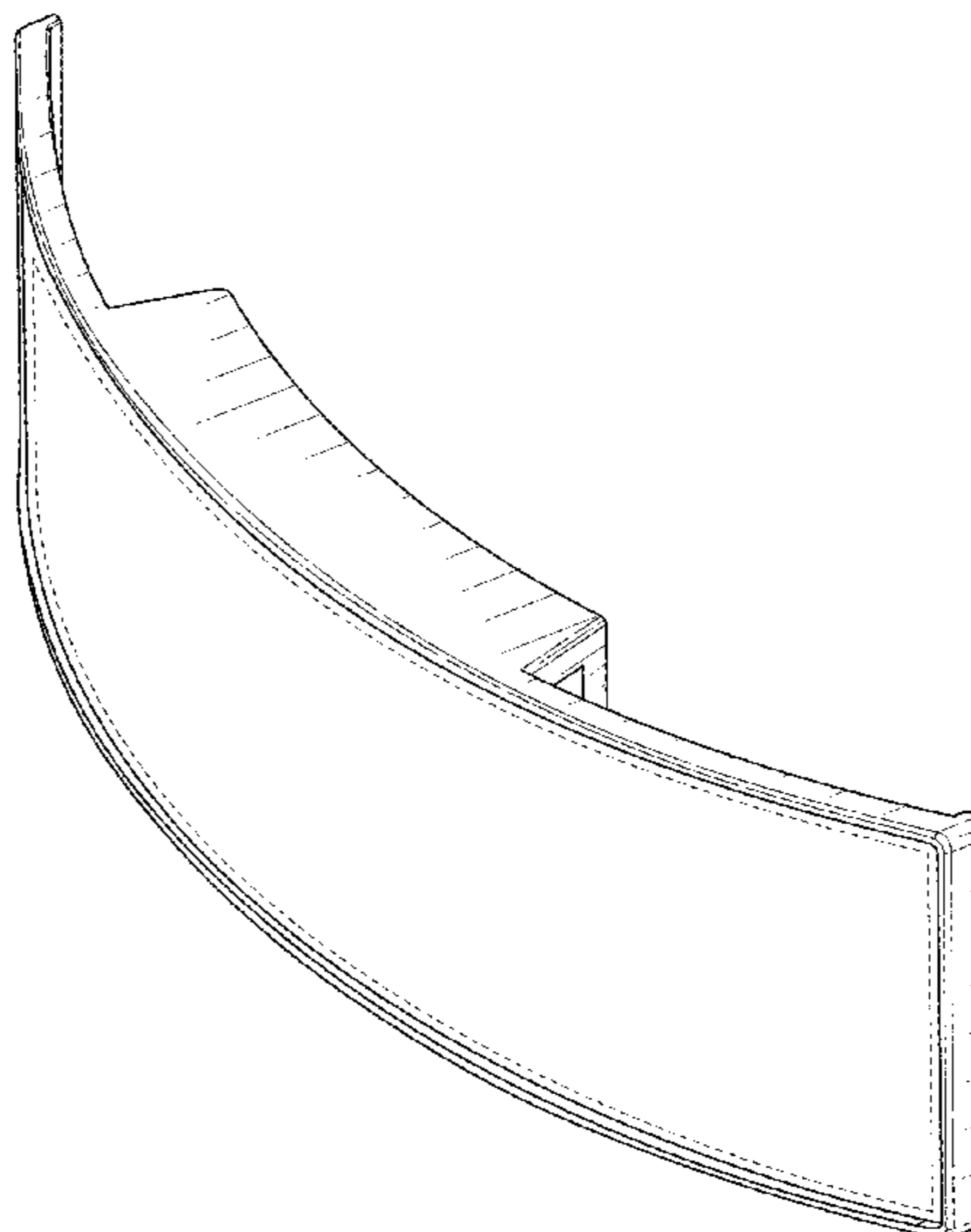
U.S. PATENT DOCUMENTS

1,053,974 A 2/1913 Cohen
1,236,654 A 8/1917 Baltzley
2,181,446 A 11/1939 Ames
2,737,220 A 3/1956 Hoff
D254,845 S 4/1980 Young

(Continued)

The broken line outline of the cap in FIG. 9 depicts environmental structure of the attachment for a cap and forms no part of the claimed design. All other broken lines in the drawings depict portions of the attachment for a cap that form no part of the claimed design.

1 Claim, 5 Drawing Sheets



(56)

References Cited

U.S. PATENT DOCUMENTS

4,776,043 A 10/1988 Coleman
 5,003,640 A 4/1991 Pizzacar
 D326,932 S * 6/1992 Millar 128/201.15
 5,165,190 A 11/1992 Smyth
 D340,345 S * 10/1993 Russell D2/894
 D341,712 S * 11/1993 Fulcher D2/639
 D343,372 S 1/1994 Ferré
 5,315,714 A 5/1994 Peters et al.
 5,418,981 A 5/1995 Miner
 5,499,402 A 3/1996 Rose
 5,519,892 A * 5/1996 Pizzacar A42B 1/248
 2/181
 5,533,213 A 7/1996 Reiner et al.
 D373,454 S 9/1996 Ramirez
 D375,827 S 11/1996 Will
 5,600,855 A 2/1997 Ramirez
 5,632,047 A 5/1997 Van Den Heuvel
 D412,937 S 8/1999 Franklin
 5,997,662 A 12/1999 Norio
 6,021,525 A 2/2000 Mertins
 6,185,750 B1 * 2/2001 Dumas A41D 13/0055
 2/171.2
 D486,862 S 2/2004 Coe
 6,729,058 B2 5/2004 Ferguson
 D491,714 S * 6/2004 Upcott D2/875
 D497,858 S 11/2004 Fabian
 6,871,486 B2 3/2005 Moehnke et al.
 D579,194 S 10/2008 Caylor
 D591,934 S 5/2009 Gore
 D601,792 S 10/2009 Kennedy
 D605,381 S 12/2009 Mastrantonio et al.
 D613,638 S 4/2010 Jorst et al.
 D627,146 S 11/2010 Kantor et al.
 D635,336 S 4/2011 Alger
 D637,106 S 5/2011 Babyak
 D638,964 S * 5/2011 Cappuccio D26/39
 D645,211 S * 9/2011 Hill D29/110
 D645,231 S * 9/2011 Perry D2/891
 D667,212 S 9/2012 Reilly
 D677,193 S * 3/2013 MacDonald D11/78.1
 8,573,773 B1 11/2013 Acosta
 D695,454 S * 12/2013 Moore D28/41
 D724,479 S 3/2015 Cerrato
 D724,487 S * 3/2015 Dighton D11/222
 D729,502 S * 5/2015 Aldridge D2/895
 D737,564 S 9/2015 Hamilton et al.
 9,198,483 B2 12/2015 Adams et al.

D749,306 S * 2/2016 Benz D2/891
 D757,402 S 5/2016 White
 D757,403 S 5/2016 Skinner
 D761,001 S 7/2016 Kouns et al.
 D770,733 S 11/2016 Hwang
 D771,914 S 11/2016 Cho
 D774,283 S * 12/2016 Rollins D2/882
 D778,767 S 2/2017 Nicolas
 D793,675 S 8/2017 Gates
 D801,644 S * 11/2017 Zenoff D2/882
 D838,941 S 1/2019 Leatherman
 10,292,444 B2 * 5/2019 Dotzenrod A42B 1/24
 D852,468 S * 7/2019 Patel D2/891
 D865,334 S 11/2019 Kang
 D876,755 S * 3/2020 Gonzalez D2/866
 2002/0042941 A1 4/2002 Grundy
 2002/0108165 A1 8/2002 Porter et al.
 2004/0064871 A1 4/2004 Schlapkohl
 2005/0177925 A1 * 8/2005 Peeples A41D 23/00
 2/321
 2008/0104801 A1 5/2008 Yeh
 2008/0109940 A1 5/2008 Van den Heuvel et al.
 2013/0111650 A1 5/2013 Hong
 2017/0027250 A1 * 2/2017 Paquette A41D 13/05
 2019/0142096 A1 * 5/2019 Skinner A42B 1/18
 2/175.6
 2019/0313724 A1 * 10/2019 Jackson A42B 1/24

FOREIGN PATENT DOCUMENTS

JP D1606101 S 6/2018
 WO WO 2018/217186 A1 11/2018

OTHER PUBLICATIONS

Snaps photo, [online]; [Internet publication date unknown]; [retrieved from the Internet on Jan. 24, 2020]; URL: <https://snaps.ltd/collections/nbaa-crisp/products/pre-order-now-board-man-gets-paid-limited-quantities>. (1 pg.). (Year: 2020).*
 U.S. Appl. No. 16/473,617, filed Jun. 25, 2019, Eldridge et al.
 U.S. Appl. No. 35/001,372, filed May 21, 2017, Eldridge et al.
 U.S. Appl. No. 35/001,578, filed Sep. 22, 2018, Eldridge et al.
 U.S. Appl. No. 29/703,199, filed Aug. 26, 2019, Eldridge et al.
 U.S. Appl. No. 29/680,373, filed Feb. 15, 2019, Eldridge et al.
 [No Author Listed] Screenshot of SNAPS Facebook page. Facebook.com. <https://www.facebook.com/snaps.ltd>, 1 page [last accessed Nov. 19, 2018].

* cited by examiner

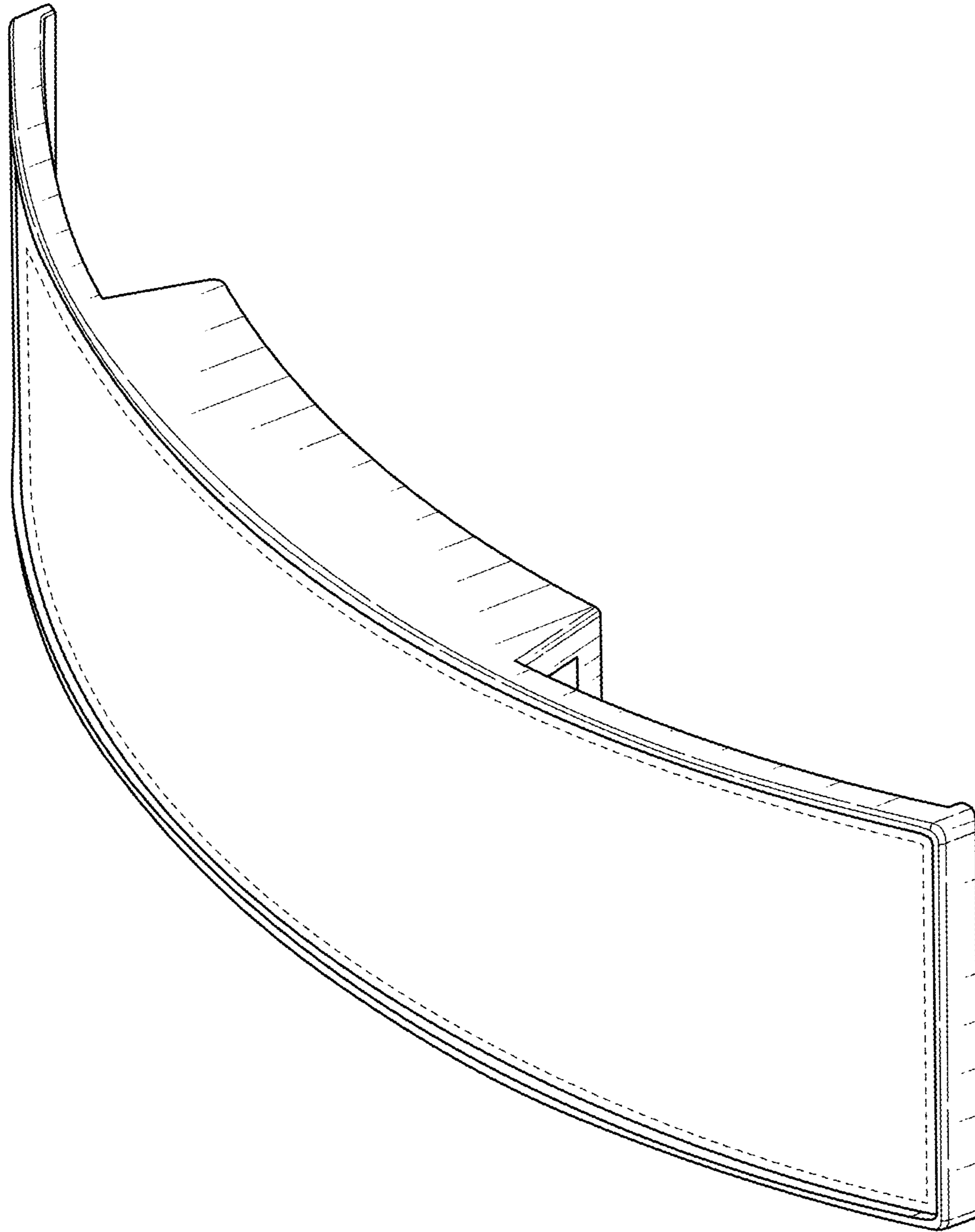


FIG. 1

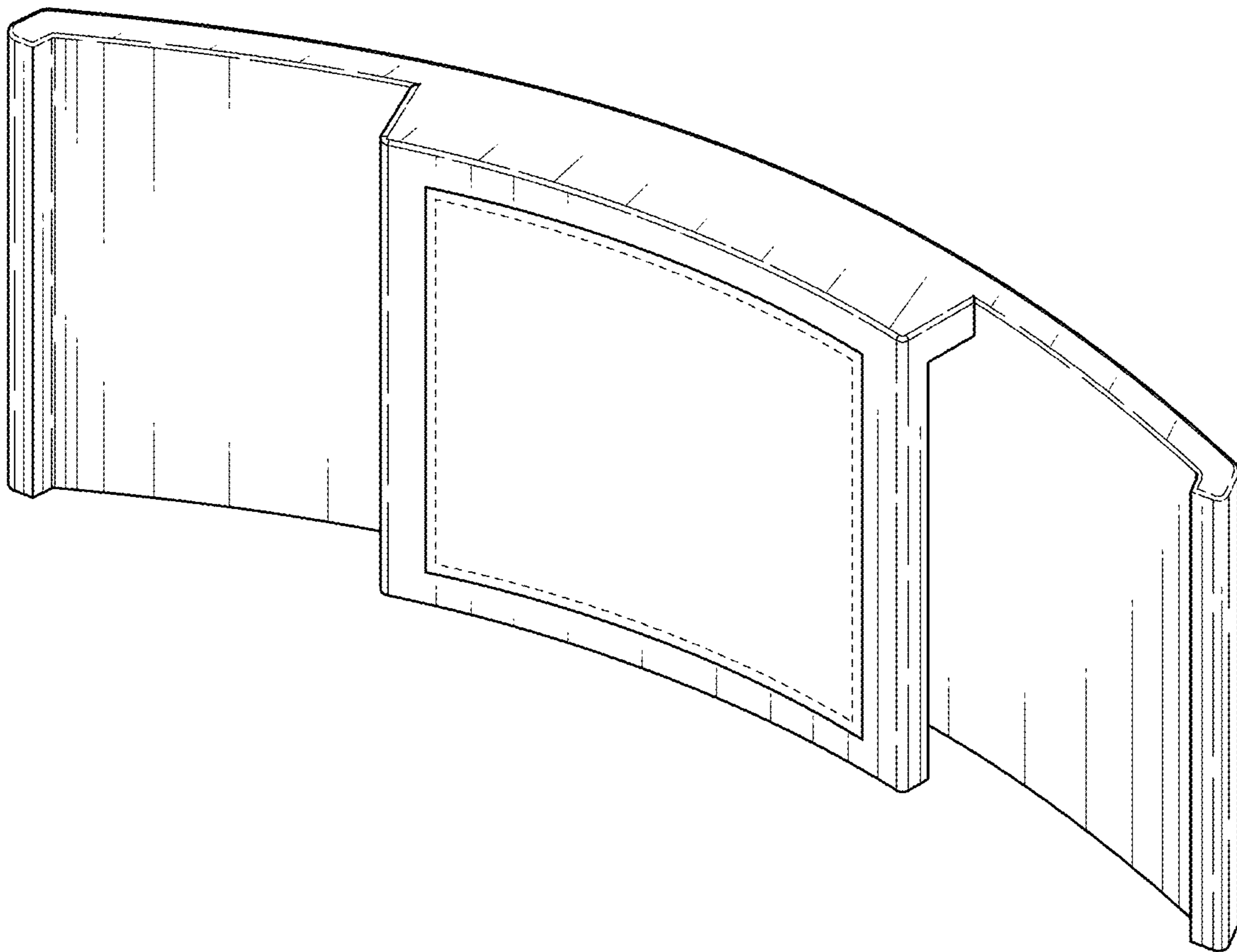


FIG. 2

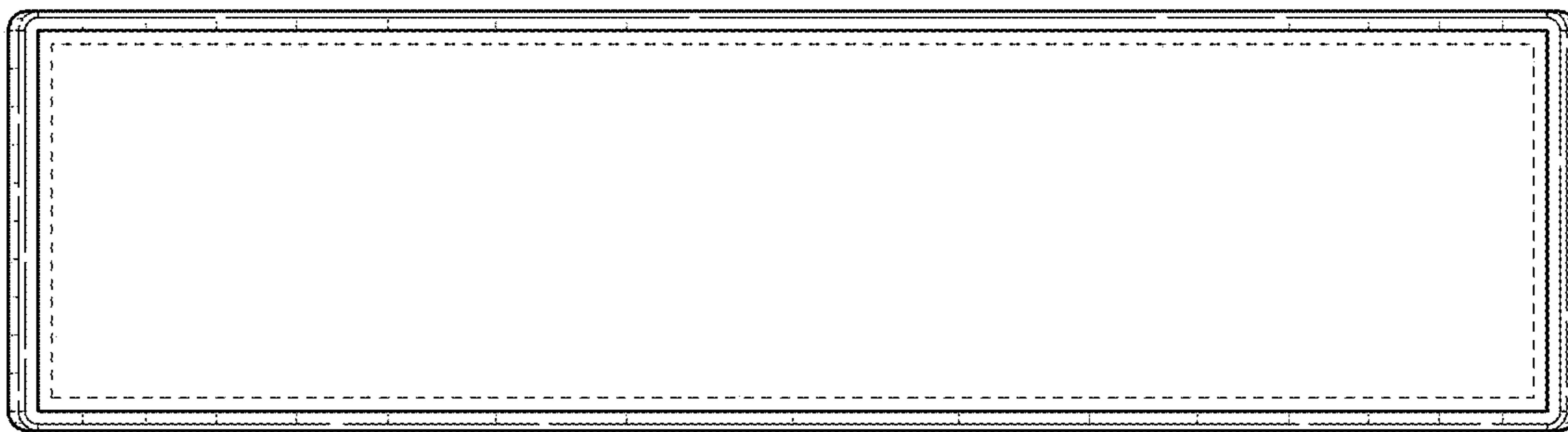


FIG. 3

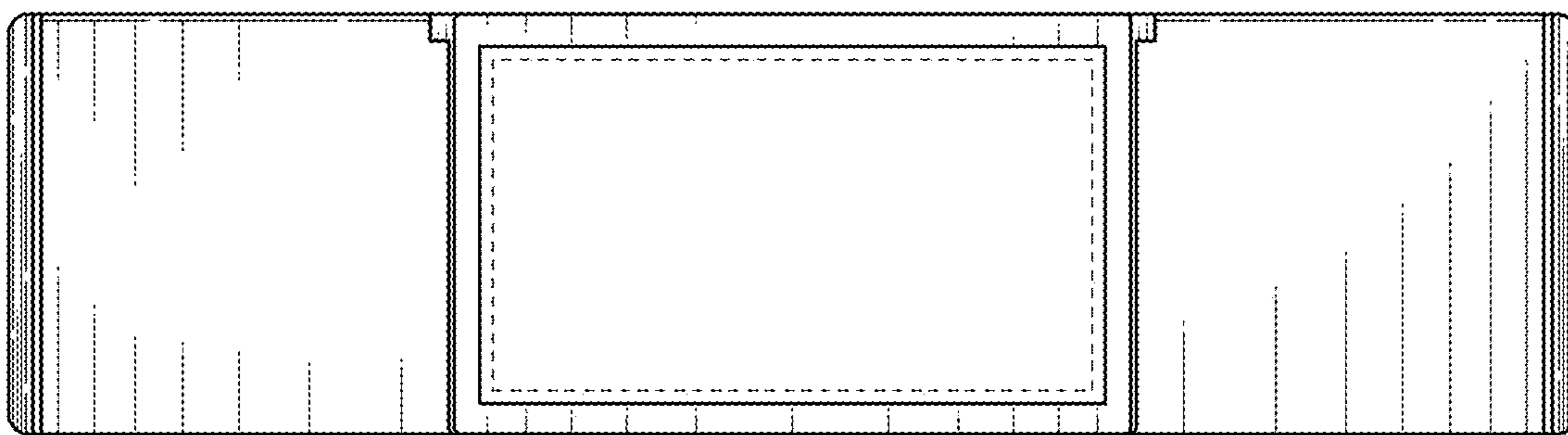


FIG. 4

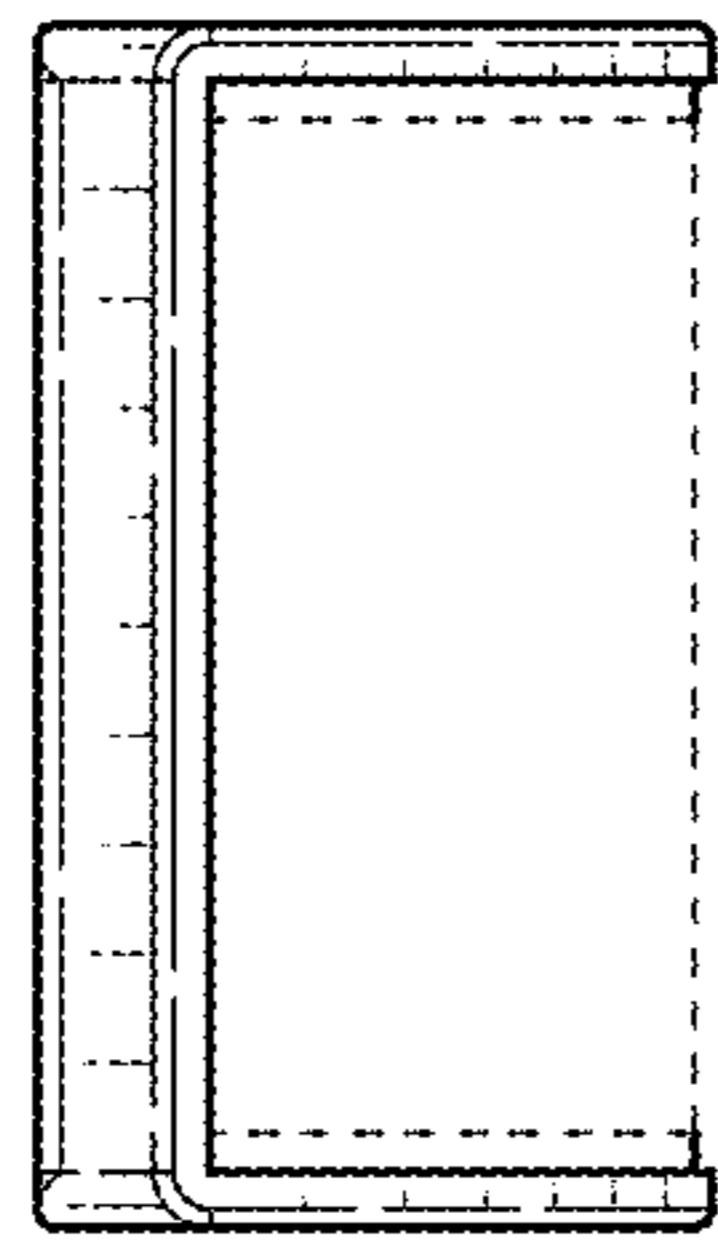


FIG. 5

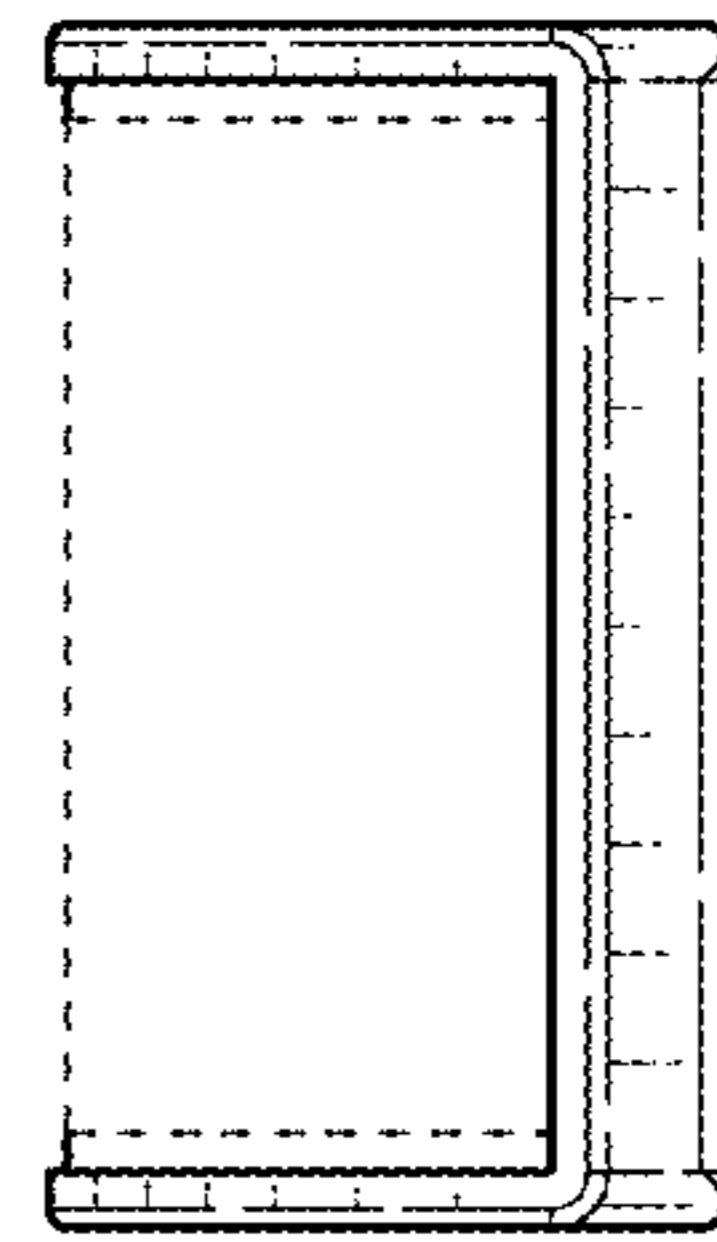


FIG. 6

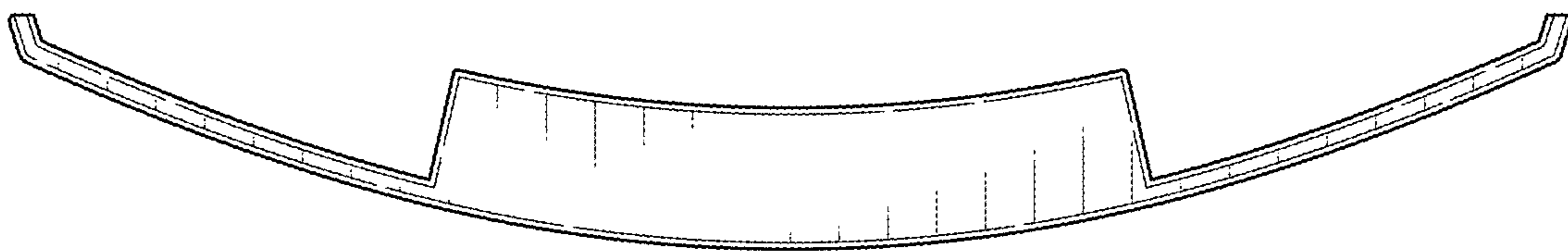


FIG. 7

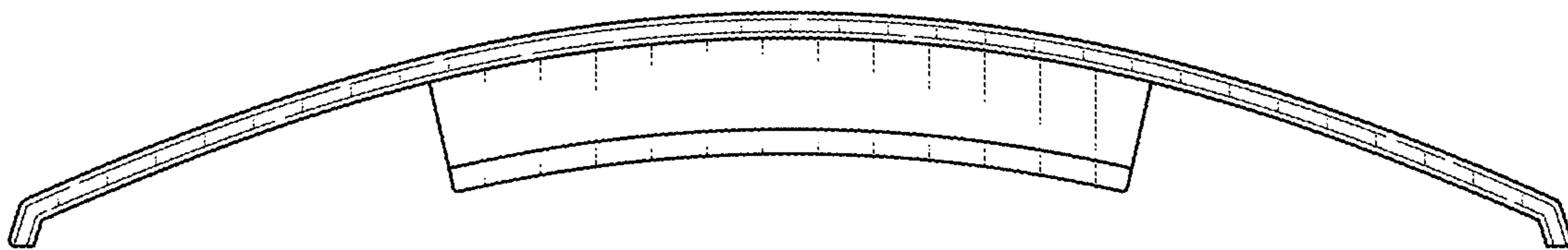


FIG. 8

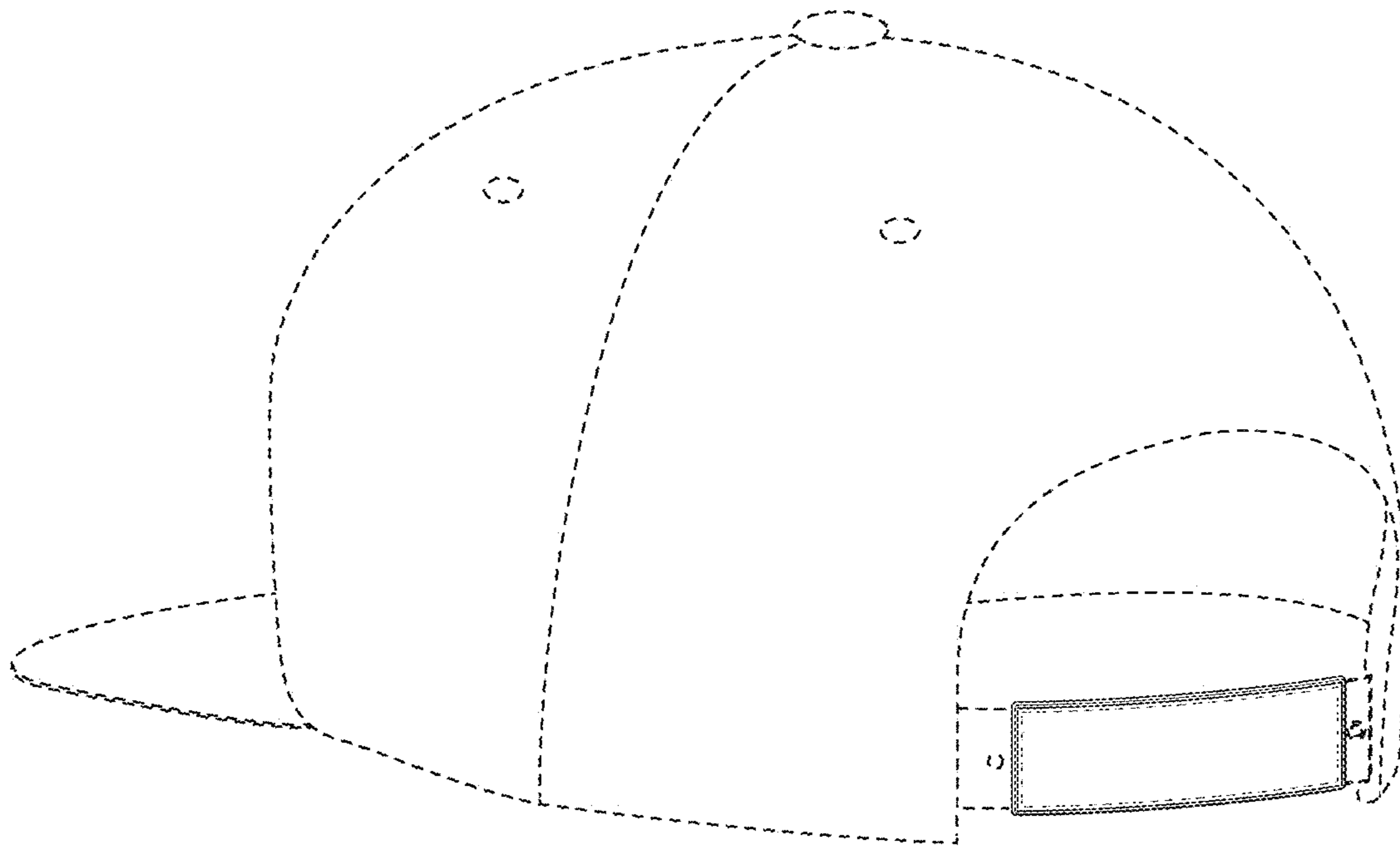


FIG. 9