



US00D895932S

(12) **United States Design Patent**
Garcia

(10) **Patent No.:** **US D895,932 S**

(45) **Date of Patent:** **** Sep. 15, 2020**

(54) **GARMENT**

(71) Applicant: **Javier Garcia**, San Jose, CA (US)

(72) Inventor: **Javier Garcia**, San Jose, CA (US)

(**) Term: **15 Years**

(21) Appl. No.: **29/648,057**

(22) Filed: **May 17, 2018**

(51) **LOC (12) Cl.** **02-02**

(52) **U.S. Cl.**
USPC **D2/742**

(58) **Field of Classification Search**
USPC D2/742-743, 731; 2/79
CPC A41D 27/201; A41D 1/06
See application file for complete search history.

(56) **References Cited**

U.S. PATENT DOCUMENTS

D134,695 S	*	12/1942	Graber	D2/742
D273,434 S	*	4/1984	Galbreath	2/227
D577,878 S	*	10/2008	Perrine	D2/742
D693,091 S	*	11/2013	Peters	D2/742
D751,273 S	*	3/2016	Ramon	D2/742
D782,159 S	*	3/2017	Pollitt	D2/742
D786,534 S	*	5/2017	Alligood	D2/731
D789,038 S	*	6/2017	McKisic	D2/742
D812,856 S	*	3/2018	Korver	D2/742

D864,524 S	*	10/2019	Lyon	D2/742
2007/0256208	A1*	11/2007	Yoo	A41D 1/06
					2/79
2008/0115252	A1*	5/2008	Dahan	A41D 31/14
					2/79

* cited by examiner

Primary Examiner — Manpreet S Matharu

Assistant Examiner — J. Thorn, Sr.

(74) *Attorney, Agent, or Firm* — Intellectual Property Law GRP LLP

(57) **CLAIM**

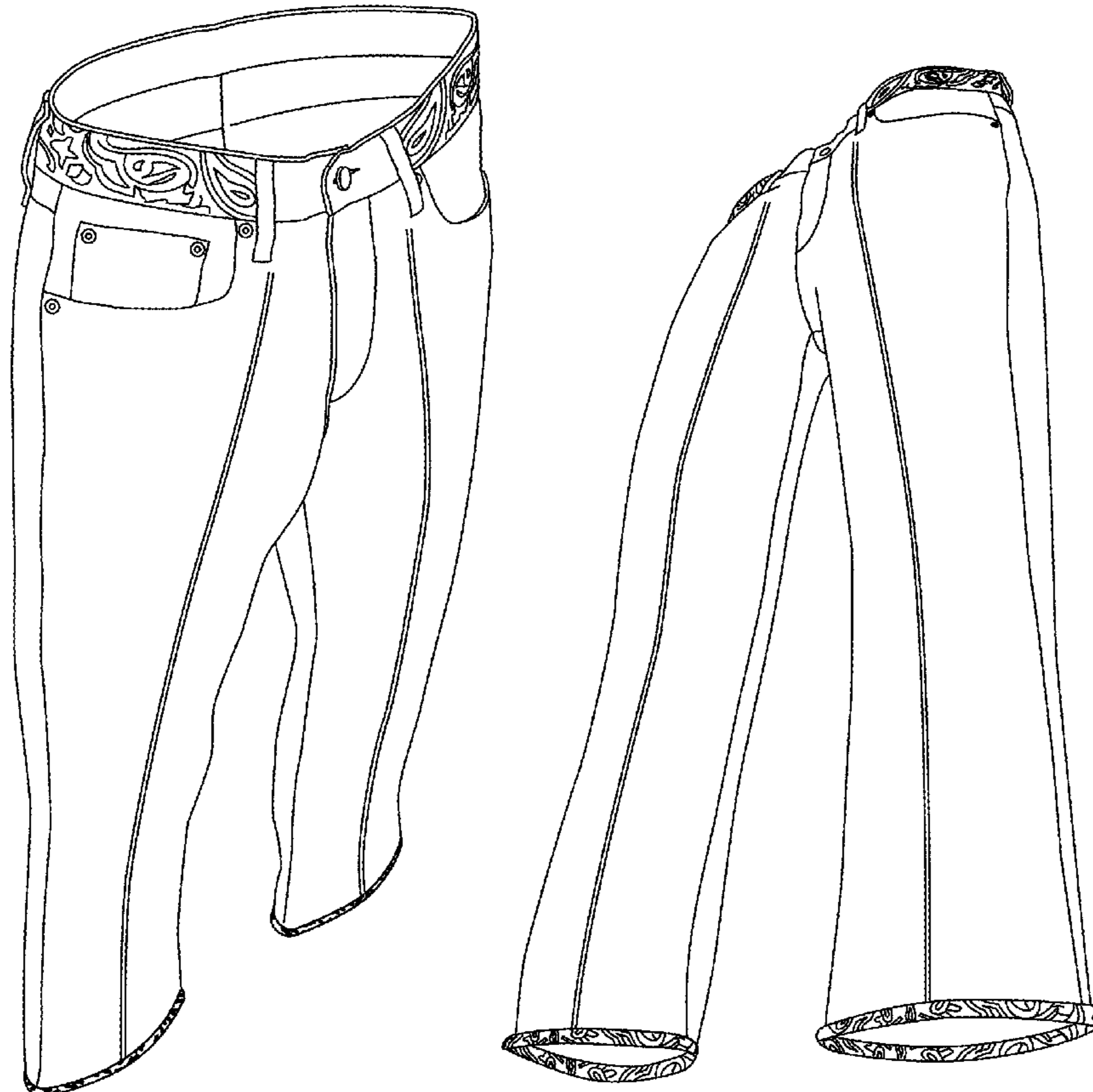
The ornamental design for a garment, as shown and described.

DESCRIPTION

FIG. 1 is a top, front, left perspective view of a garment, embodying my new design;
FIG. 2 is a bottom, front, right perspective view thereof;
FIG. 3 is a front view thereof;
FIG. 4 is a rear view thereof;
FIG. 5 is a left side view thereof;
FIG. 6 is a right side view thereof;
FIG. 7 is a top view thereof; and,
FIG. 8 is a bottom view thereof.

The solid line seams along the front and rear of the garment legs are a part of the same fabric as the garment.

1 Claim, 5 Drawing Sheets



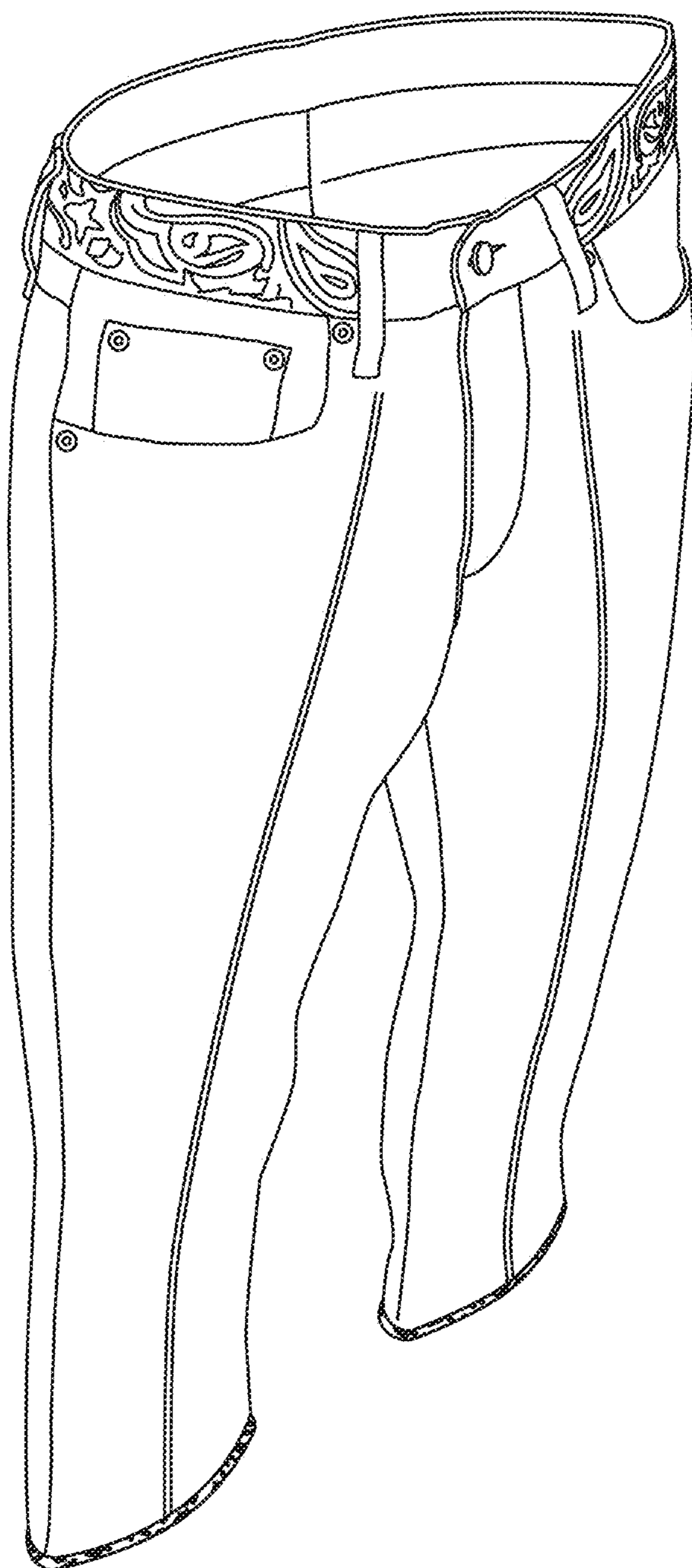


FIG. 1



FIG. 2

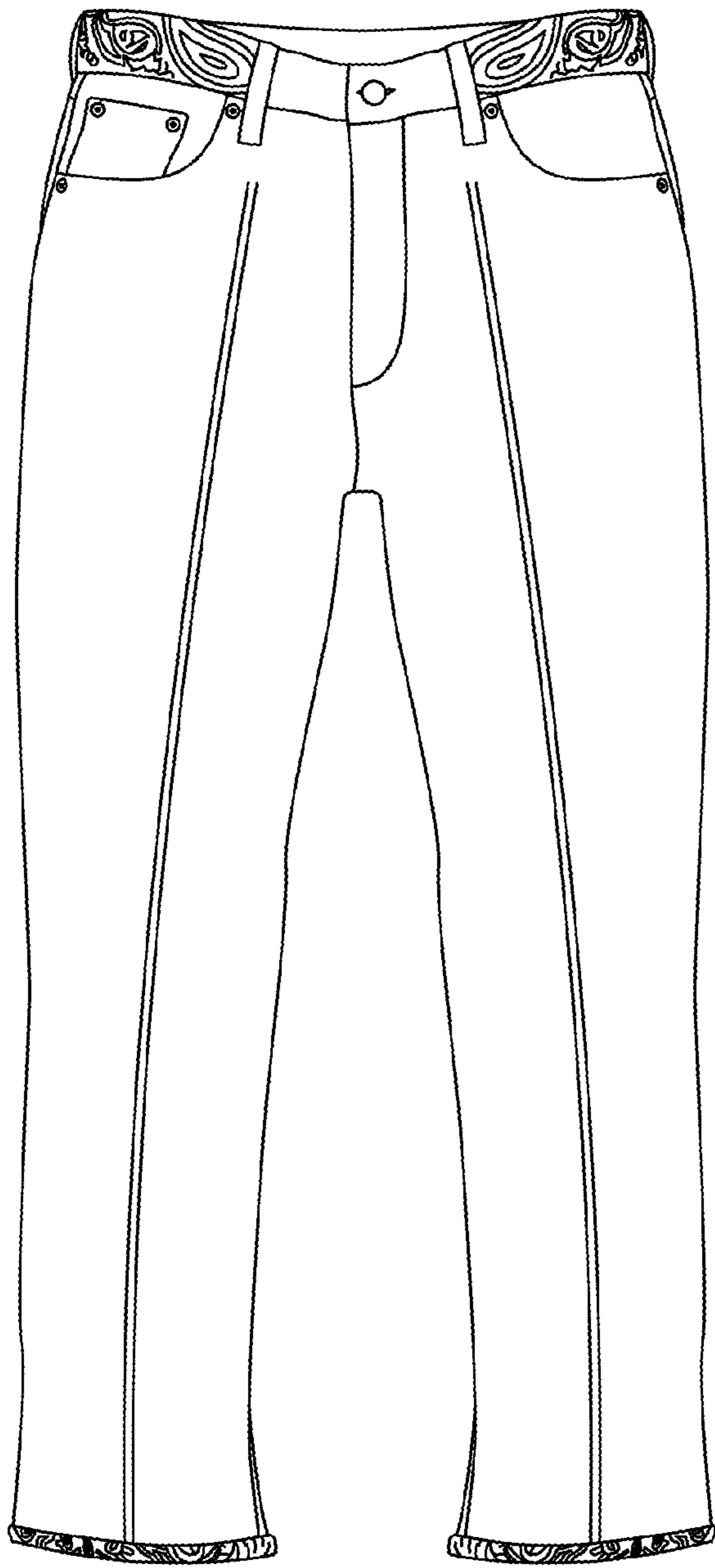


FIG. 3

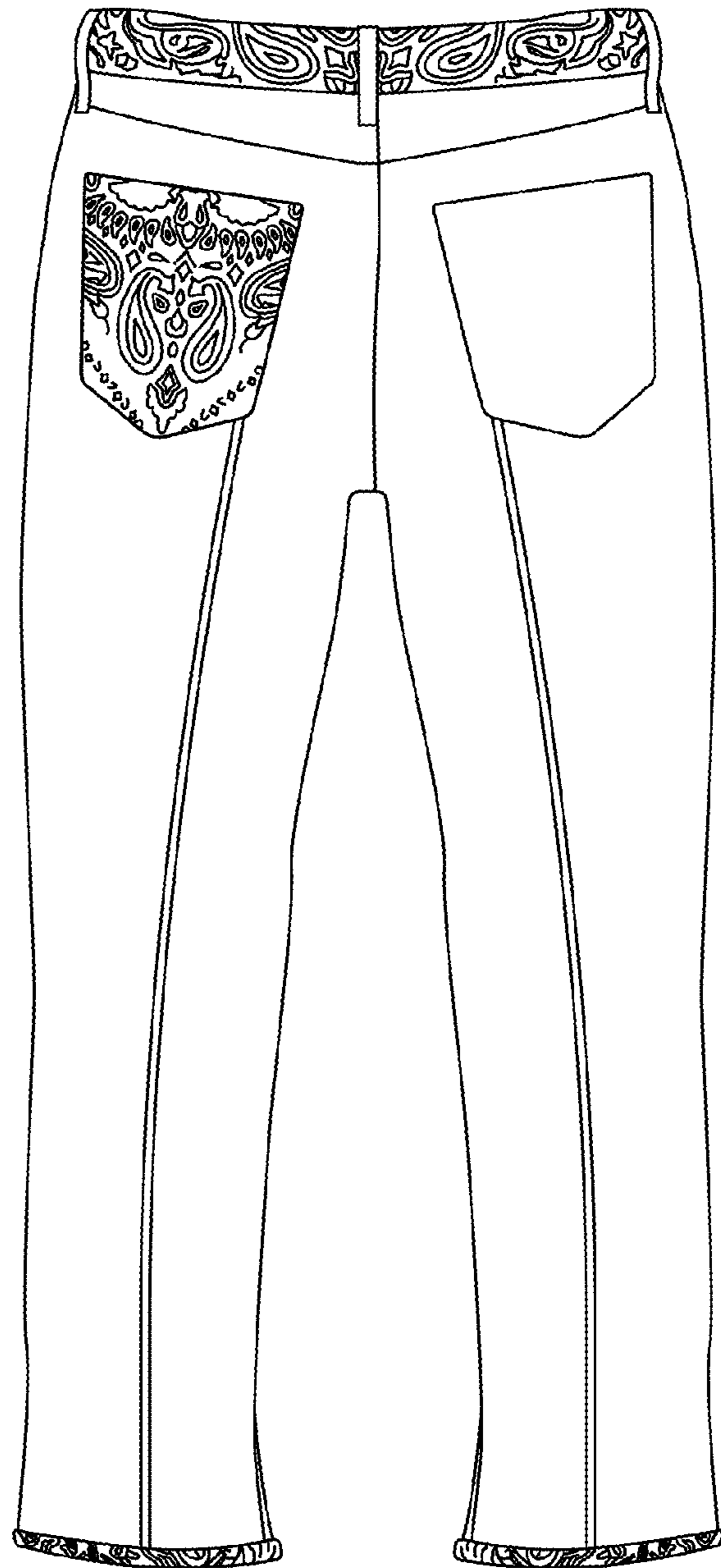


FIG. 4

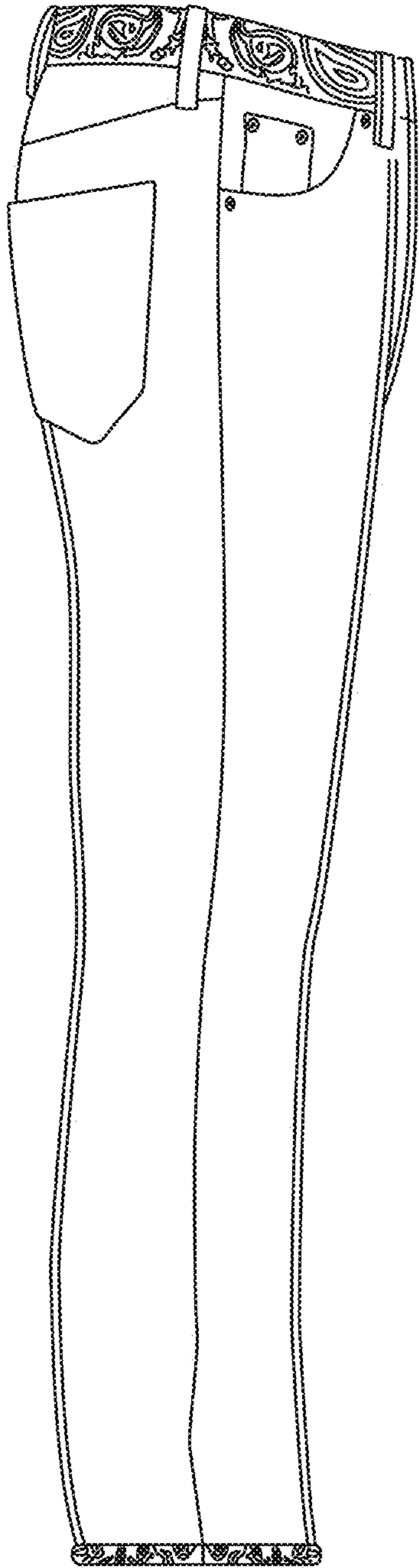


FIG. 5

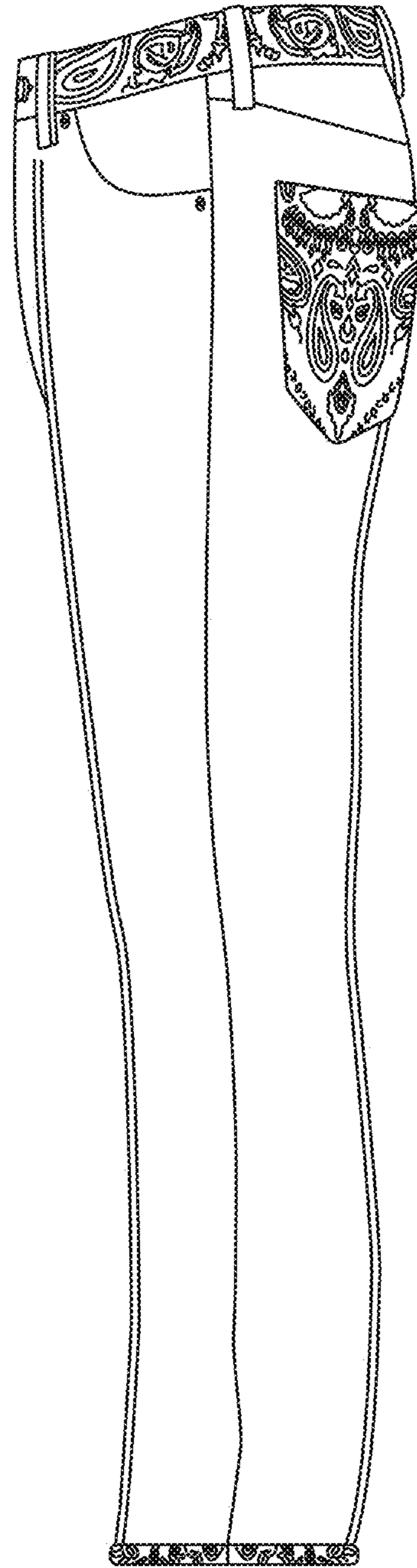


FIG. 6

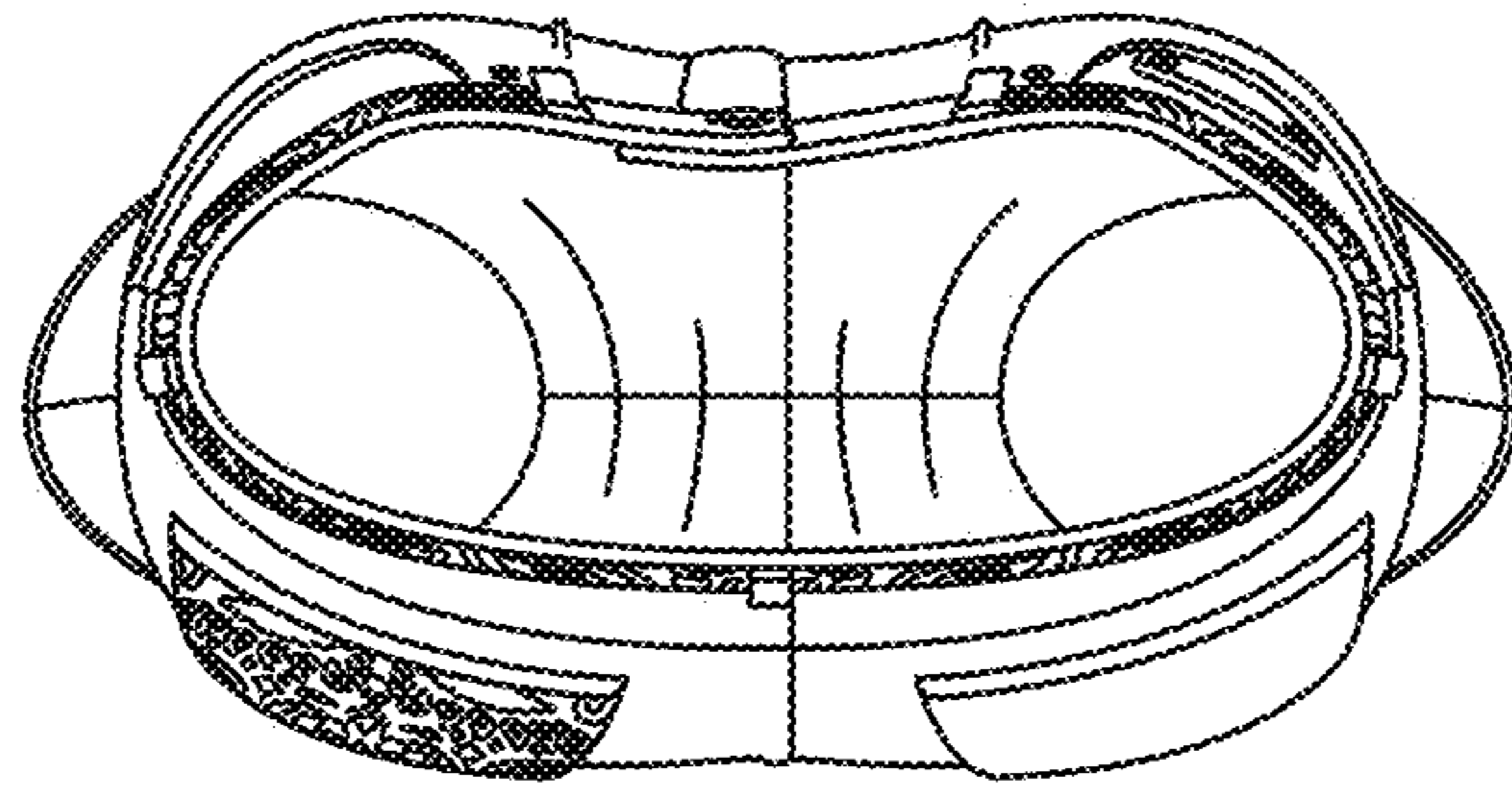


FIG. 7

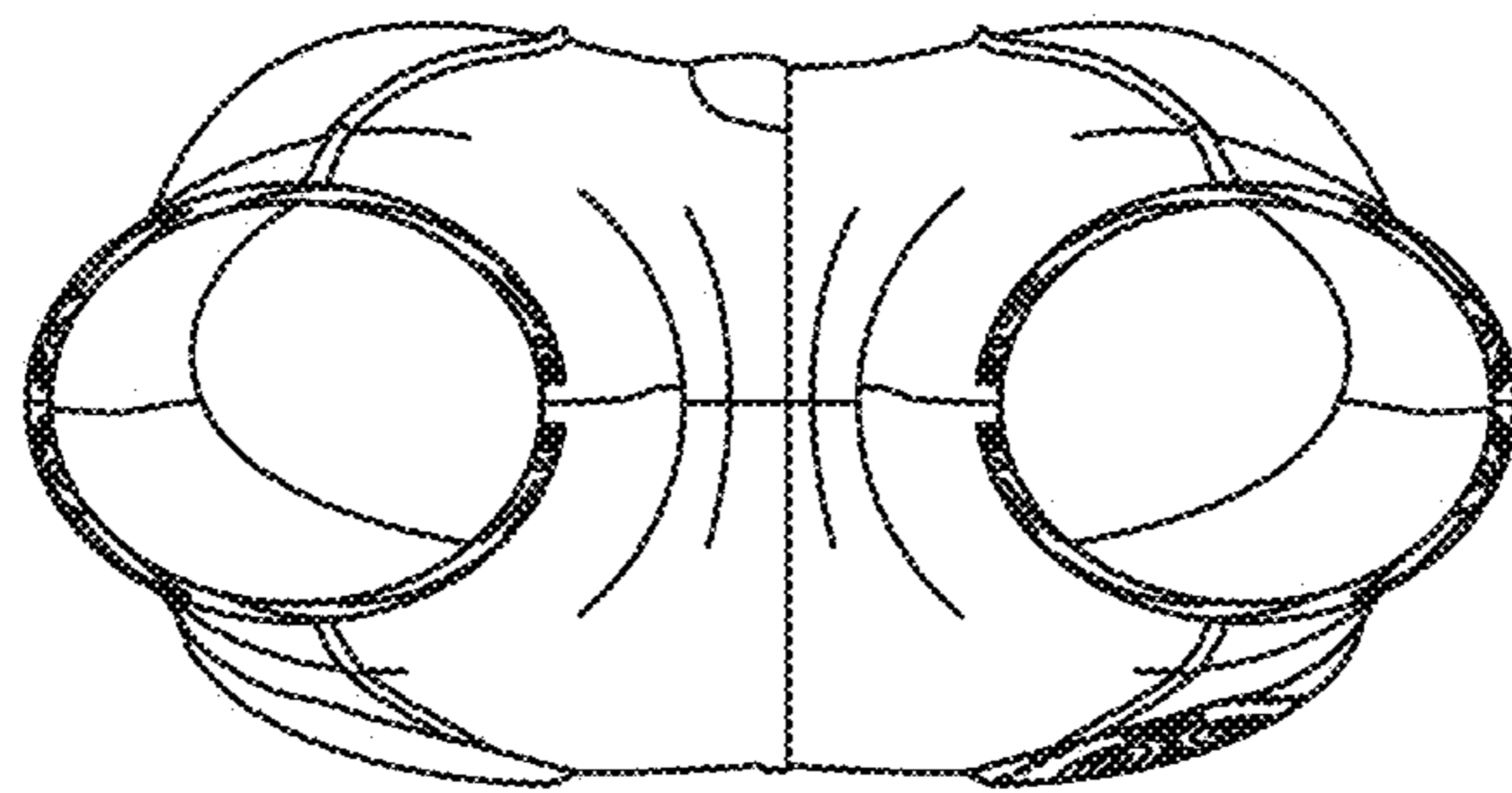


FIG. 8