



US00D895930S

(12) **United States Design Patent** (10) **Patent No.:** **US D895,930 S**
Hill (45) **Date of Patent:** **** Sep. 15, 2020**

- (54) **SLEEPING BAG**
- (71) Applicant: **Bright Path Enterprises LLC**, Layton, UT (US)
- (72) Inventor: **Aaron Hill**, Layton, UT (US)
- (73) Assignee: **Bright Path Enterprises LLC**, Layton, UT (US)
- (**) Term: **15 Years**
- (21) Appl. No.: **29/679,496**
- (22) Filed: **Feb. 6, 2019**
- (51) **LOC (12) Cl.** **02-01**
- (52) **U.S. Cl.**
USPC **D2/719**
- (58) **Field of Classification Search**
USPC D12/719; D6/595, 596, 598, 601–603, D6/604; D21/803–809
CPC A47G 9/08; A47G 9/086; A41B 13/06; A41B 13/065
See application file for complete search history.

(56) **References Cited**

U.S. PATENT DOCUMENTS

2,888,009	A	5/1959	Taylor	
D230,455	S *	2/1974	Hunt	D2/719
4,354,281	A *	10/1982	Satoh	A47G 9/086
				2/97
D304,256	S *	10/1989	McEntee	D2/719
D365,485	S *	12/1995	Rossmann	D6/596
D401,736	S *	12/1998	Shaw	D2/719
D405,585	S *	2/1999	Stevens	D2/718
D416,123	S *	11/1999	Hwang	D2/700
D420,780	S *	2/2000	Cox	D2/700
6,073,282	A *	6/2000	Leeper	A47G 9/086
				2/69.5
D458,730	S *	6/2002	Jeong	D2/719
D476,516	S *	7/2003	Pigg	D6/596
D504,552	S *	5/2005	Michaelis	D2/719

D513,657	S *	1/2006	Jaskuloski	D2/719
D542,467	S *	5/2007	Martin	D28/38
D569,159	S *	5/2008	Walker	D6/595
D571,594	S *	6/2008	Klepy	D6/595
D623,379	S *	9/2010	Dunson	D2/719
D643,182	S *	8/2011	Harris	D2/719
D644,820	S *	9/2011	Dunson	D2/719

(Continued)

FOREIGN PATENT DOCUMENTS

WO WO 85/04316 A1 10/1985

OTHER PUBLICATIONS

International Search Report and Written Opinion from PCT/US2019/022837, dated Jun. 3, 2019.

(Continued)

Primary Examiner — Michelle E. Wilson
Assistant Examiner — Clese Moore, Jr.
(74) *Attorney, Agent, or Firm* — Maschoff Brennan

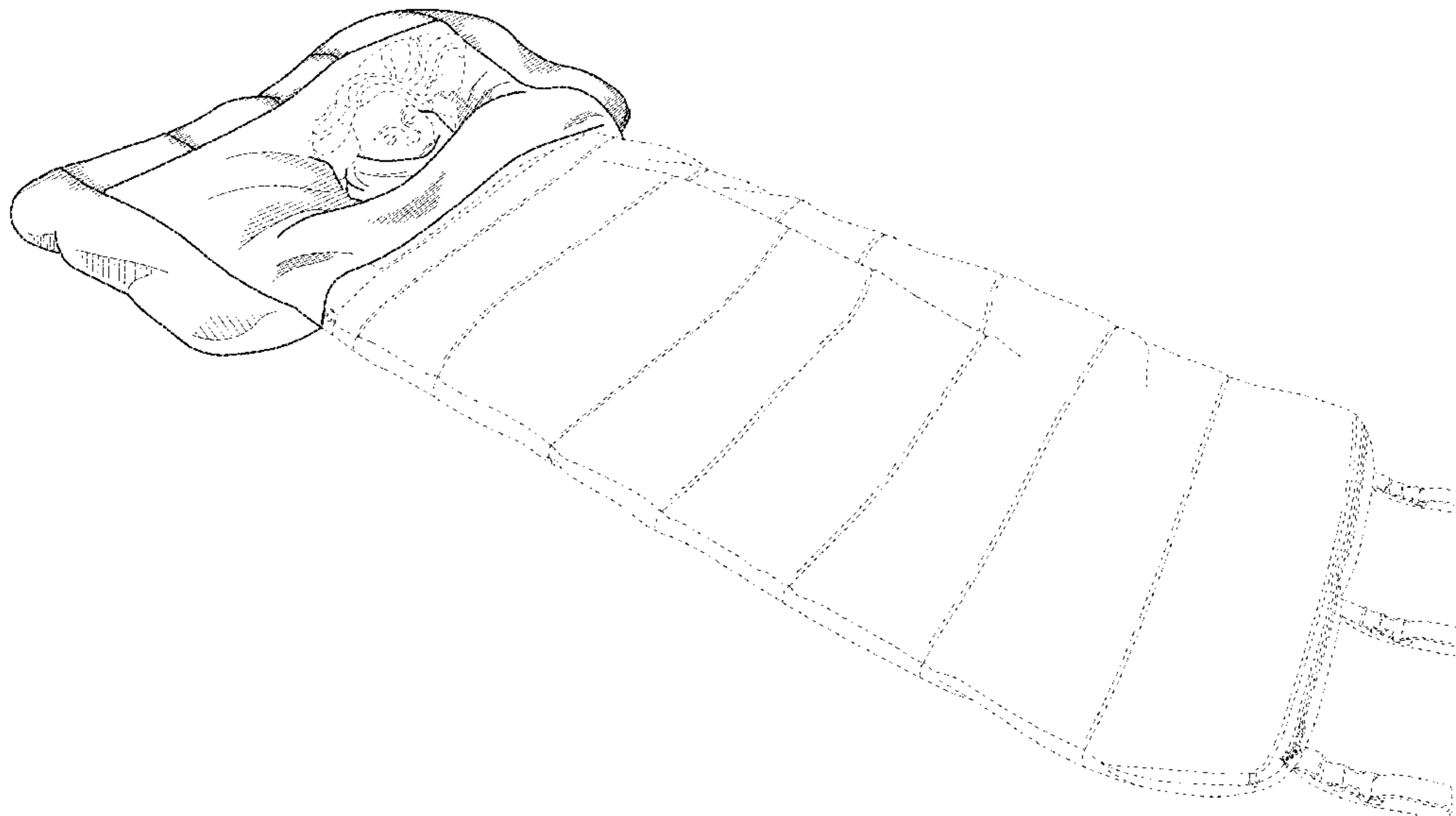
(57) **CLAIM**

The ornamental design for a sleeping bag, as shown and described.

DESCRIPTION

FIG. 1 is an upper perspective view of a sleeping bag, illustrating an exemplary person in an exemplary position while using the sleeping bag;
FIG. 2 is another upper perspective view of the sleeping bag;
FIG. 3 is top view of the sleeping bag;
FIG. 4 is a bottom view of the sleeping bag;
FIG. 5 is a left side view of the sleeping bag;
FIG. 6 is a right side view of the sleeping bag;
FIG. 7 is a front view of the sleeping bag; and,
FIG. 8 is a rear view of the sleeping bag.
The broken lines shown illustrate portions of the sleeping bag that form no part of the claimed design.

1 Claim, 6 Drawing Sheets



(56)

References Cited

U.S. PATENT DOCUMENTS

D676,220 S * 2/2013 Bostajian D2/719
D688,442 S * 8/2013 Lesinski D2/719
D715,028 S * 10/2014 Harris D2/719
D737,023 S * 8/2015 Tolbert D2/719
D789,033 S * 6/2017 Sumnicht D2/719
D799,857 S * 10/2017 Takagi D6/596
D863,829 S * 10/2019 Huang D6/604
2005/0028277 A1 2/2005 Gordon et al.
2006/0230533 A1* 10/2006 Liang A47G 9/086
5/413 R
2008/0256705 A1 10/2008 Maguire
2011/0173749 A1 7/2011 Martray
2012/0180213 A1 7/2012 Storms
2012/0284915 A1* 11/2012 Najari Ehsani A47G 9/086
5/120
2012/0292853 A1* 11/2012 Walker A47G 9/083
273/286
2012/0324647 A1 12/2012 McKee
2014/0298584 A1* 10/2014 Sumnicht A47G 9/0207
5/413 R
2014/0345051 A1 11/2014 Benninger
2019/0239664 A1* 8/2019 Hill A47G 9/1045
2019/0290032 A1* 9/2019 Hill A47G 9/086

OTHER PUBLICATIONS

International Search Report and Written Opinion from PCT/US2019/
017089, dated Apr. 8, 2019.

* cited by examiner

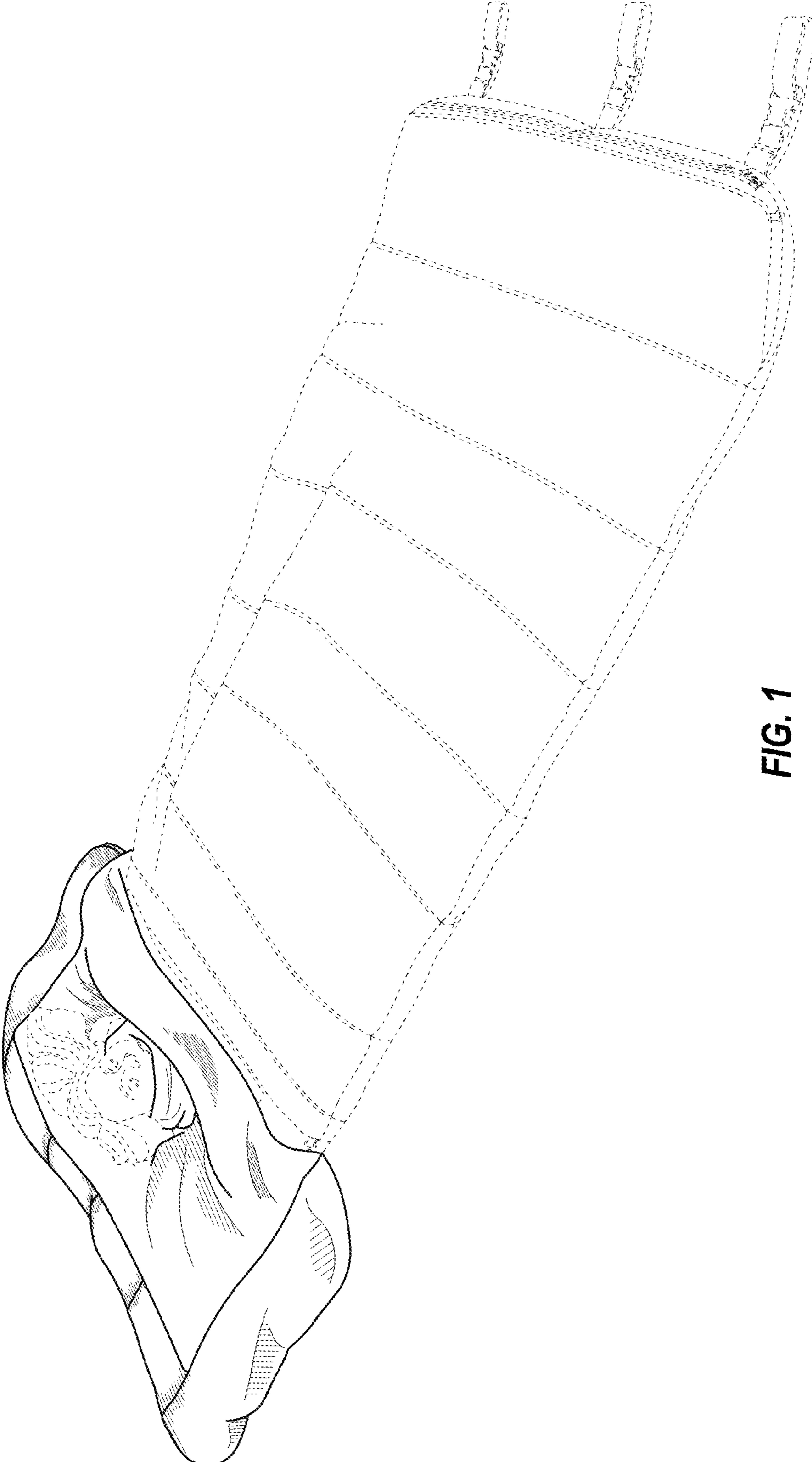


FIG. 1

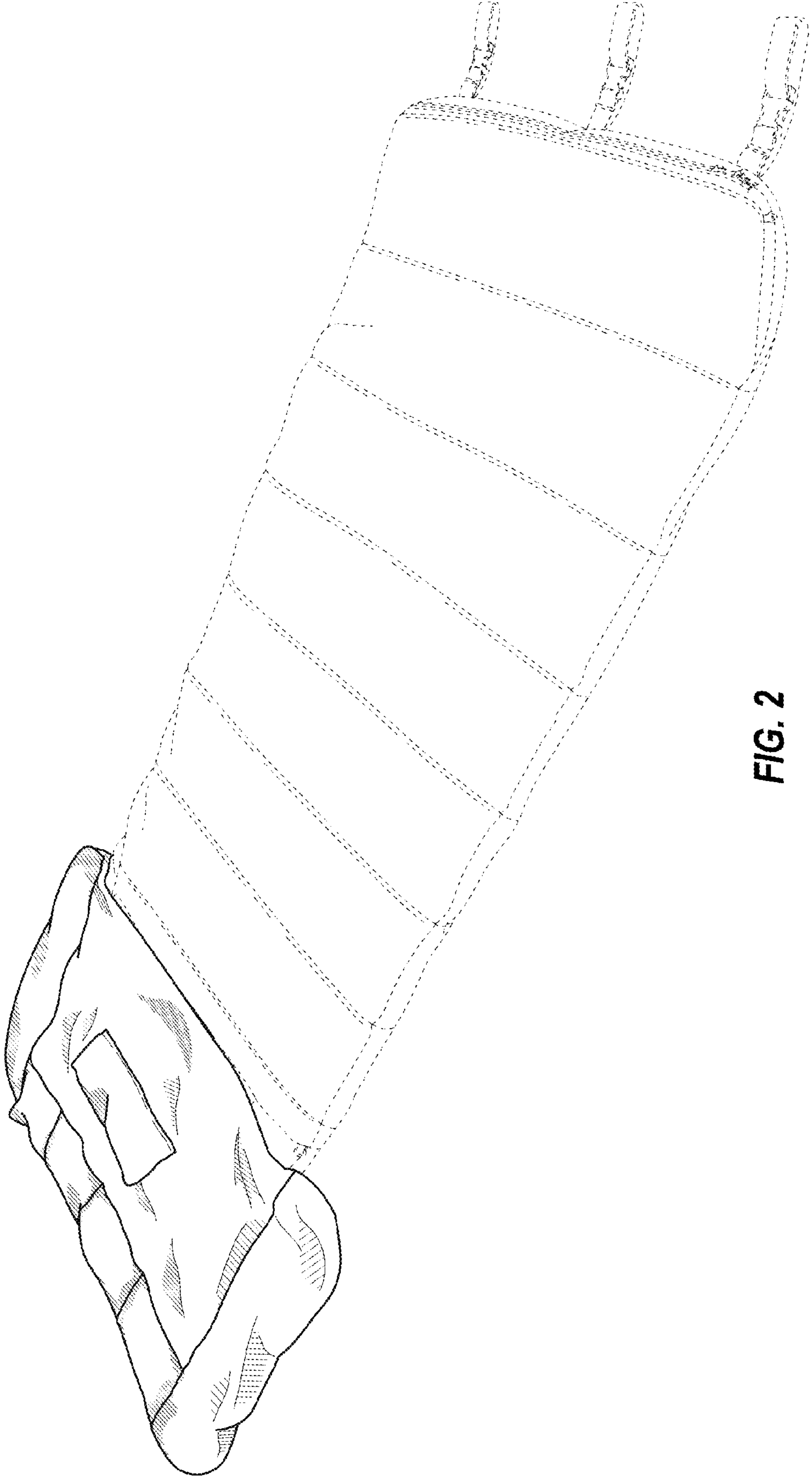


FIG. 2

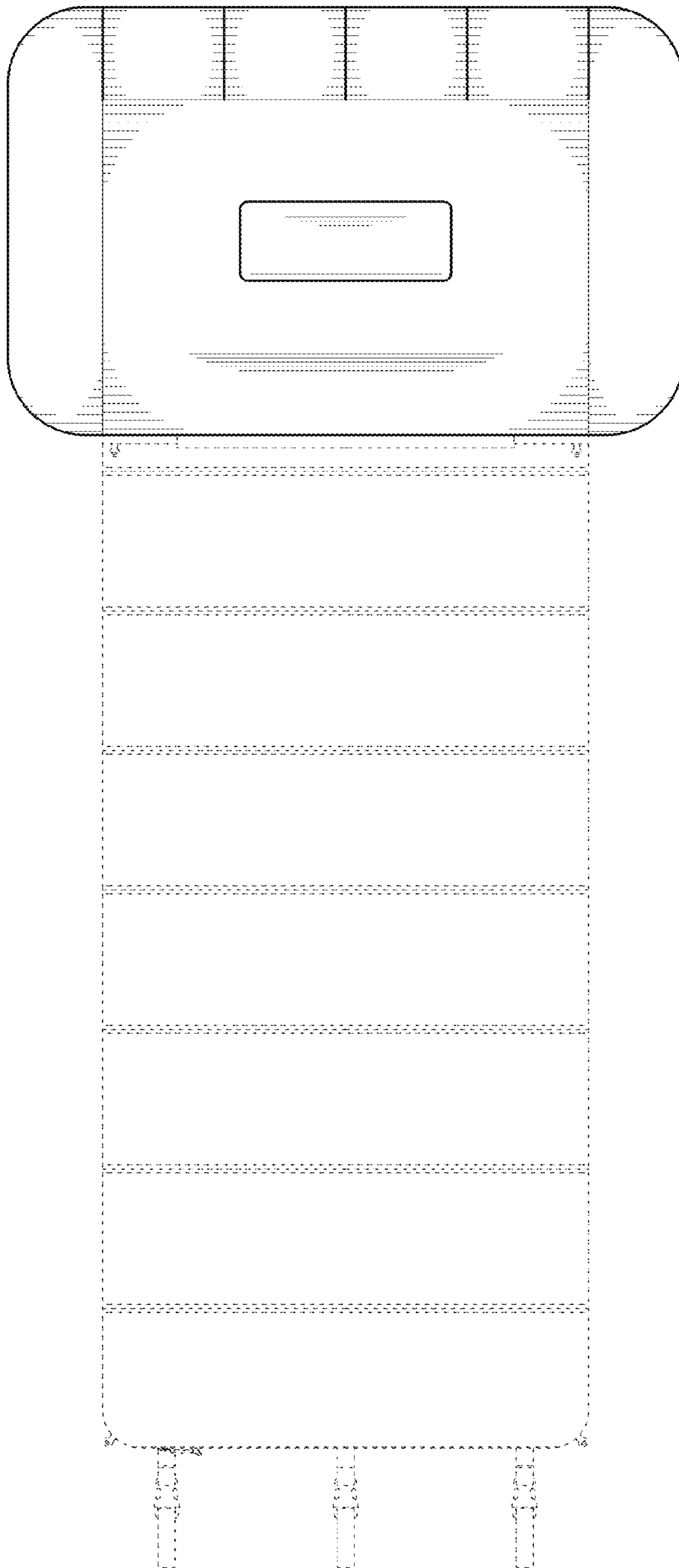


FIG. 3

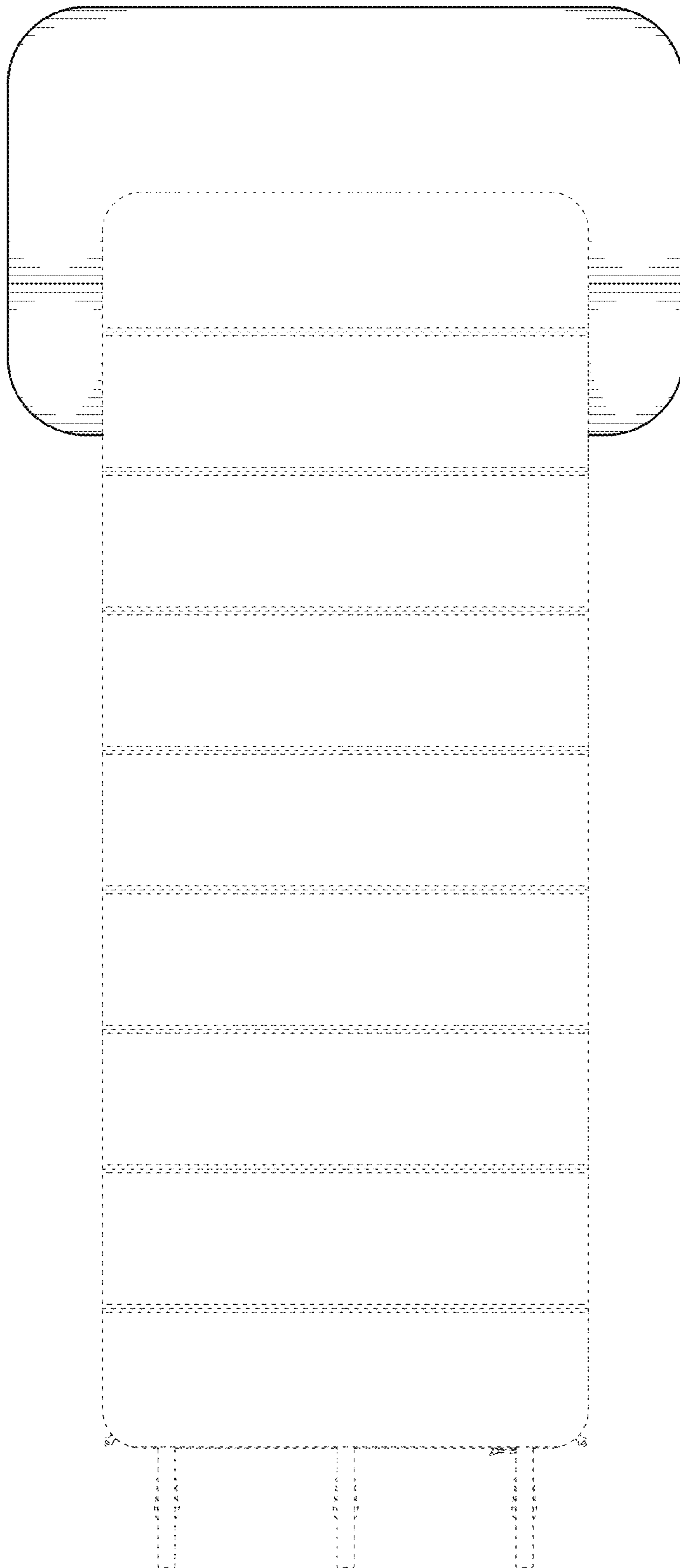


FIG. 4

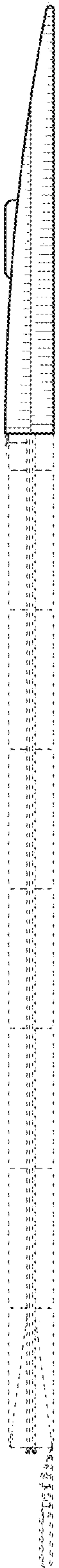


FIG. 5

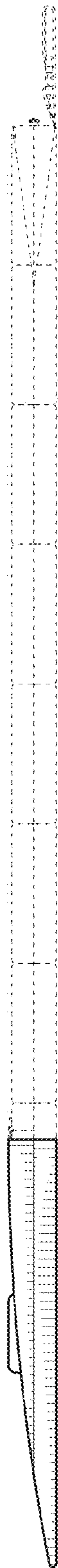


FIG. 6



FIG. 7

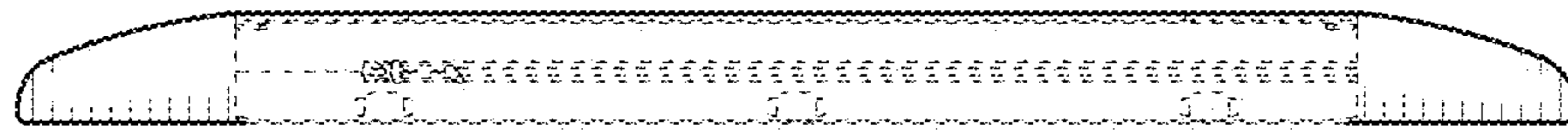


FIG. 8