



US00D895925S

(12) **United States Design Patent**
Wieser

(10) **Patent No.:** **US D895,925 S**
(45) **Date of Patent:** **** Sep. 8, 2020**

- (54) **BURIAL URN VAULT LID**
- (71) Applicant: **Wieser Company LLC**, New Brighton, MN (US)
- (72) Inventor: **Matthew Richard Wieser**, Crystal, MN (US)
- (73) Assignee: **WIESER COMPANY LLC**, New Brighton, MN (US)
- (**) Term: **15 Years**
- (21) Appl. No.: **29/658,449**
- (22) Filed: **Jul. 31, 2018**
- (51) **LOC (12) Cl.** **99-01**
- (52) **U.S. Cl.**
USPC **D99/5; D99/8**
- (58) **Field of Classification Search**
USPC D99/5, 8; 27/1, 2; D9/430, 503, 504, D9/443, 452; D7/391, 392.1, 325, 612; 220/287, 276, 783, 784; D8/311; 206/508, 525, 220; 16/121, 110.1, 414; 215/251, 252, 276, 355, 270, 329; 137/318; D23/250
CPC A61G 17/08; A61G 17/00; E05B 1/04; B65D 41/40; B65D 53/00; B65D 41/06; D65D 2543/00092; A47G 19/22
See application file for complete search history.

(56) **References Cited**
U.S. PATENT DOCUMENTS

1,638,584 A *	8/1927	Krank	A45D 33/025
			132/298
D127,326 S *	5/1941	Petzold	D28/76
D143,382 S *	12/1945	Zinkil et al.	D23/250
D157,363 S *	2/1950	Frankel	D7/391
2,627,991 A *	2/1953	Maersch	A47G 19/00
			220/4.25

2,631,722 A *	3/1953	Klippert	B65D 51/18
			206/525
3,065,875 A *	11/1962	Negoro	B65D 43/0212
			220/784
3,255,907 A *	6/1966	Eddy	B65D 41/0428
			215/329
3,295,730 A *	1/1967	Moran	B65D 47/263
			222/553
3,389,851 A *	6/1968	Clark	A47J 47/14
			206/508
D212,843 S *	12/1968	Hart et al.	D9/452
3,451,540 A *	6/1969	Walter	A61C 5/66
			206/220
D228,345 S *	9/1973	Kleinman	D9/439
D242,921 S *	1/1977	Bake	D23/250
4,110,393 A *	8/1978	Trame	B29C 51/36
			264/132
4,143,785 A *	3/1979	Ferrell	B65D 41/0421
			215/270
D255,439 S *	6/1980	Ashton	D11/152
D259,710 S *	6/1981	Stein	D11/152
4,326,639 A *	4/1982	Stahl	B65D 41/3409
			215/252

(Continued)

Primary Examiner — Paula Allen Greene
(74) *Attorney, Agent, or Firm* — Benjamin C. Armitage; Billion & Armitage

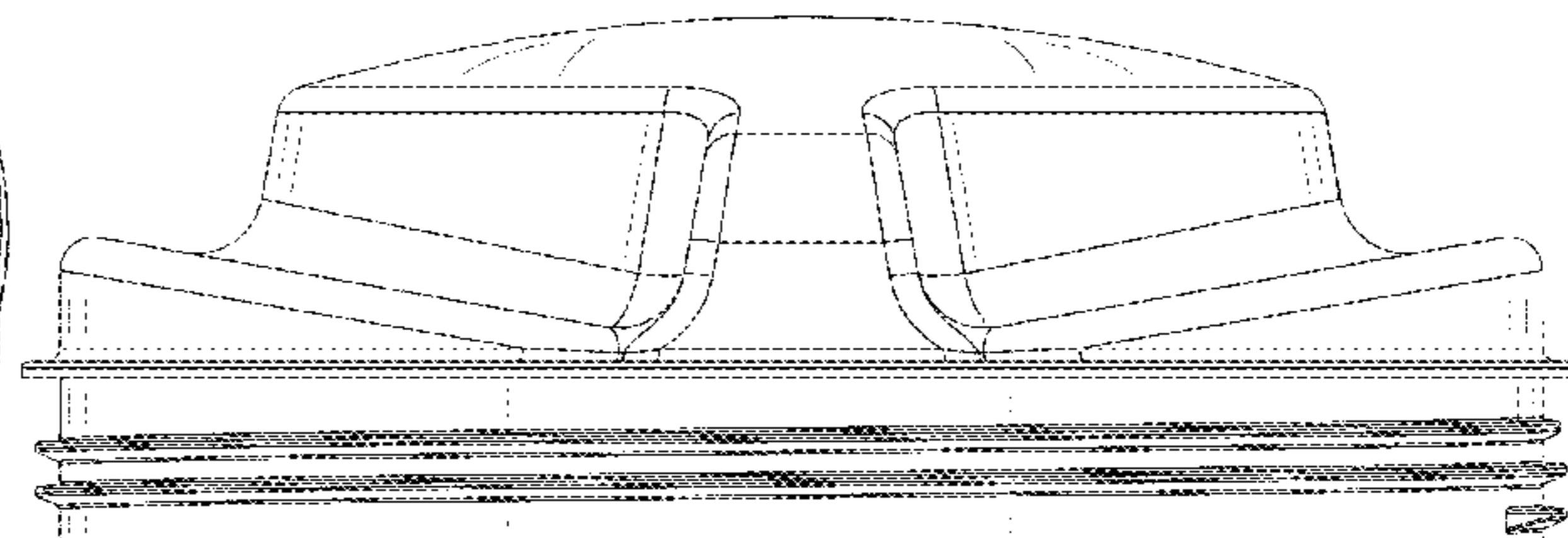
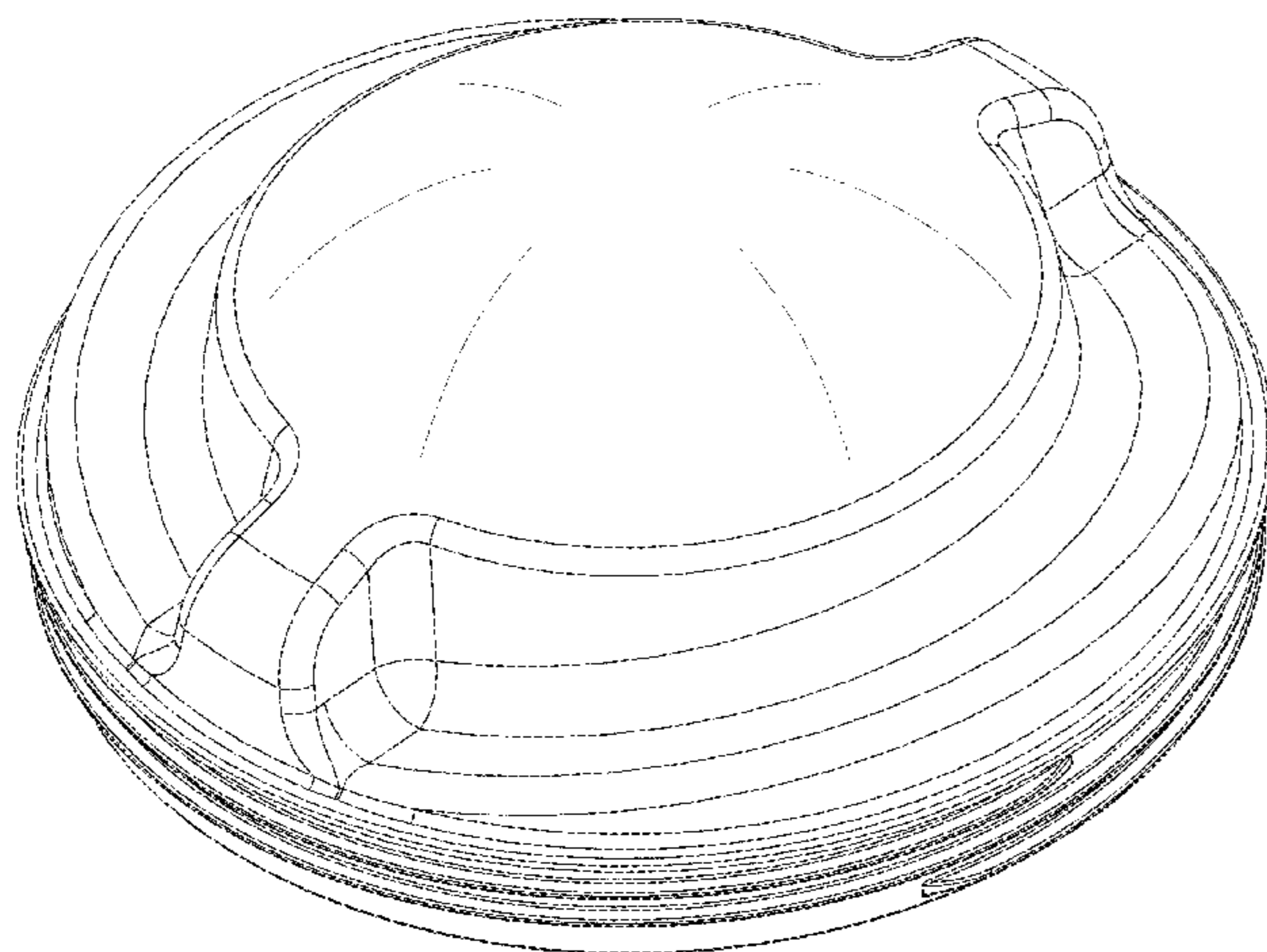
(57) **CLAIM**

The ornamental design for a burial urn vault lid, as shown and described.

DESCRIPTION

FIG. 1 is a perspective view of a burial urn vault lid showing my new design;
FIG. 2 is a front view thereof;
FIG. 3 is a rear view thereof;
FIG. 4 is a left side view thereof;
FIG. 5 is a right side view thereof;
FIG. 6 is a top view thereof; and,
FIG. 7 is a bottom view thereof.

1 Claim, 7 Drawing Sheets



(56)

References Cited

U.S. PATENT DOCUMENTS

D275,636 S * 9/1984 Picozza D7/392.1
 4,489,845 A * 12/1984 Aichinger B65D 41/0421
 215/329
 4,569,456 A * 2/1986 Weiler B65D 41/58
 215/251
 D294,446 S * 3/1988 Tardif D7/612
 D333,065 S * 2/1993 Murphy D7/391
 D336,817 S * 6/1993 Wilcox, Jr. D7/392
 D350,837 S * 9/1994 Kirby D28/82
 D351,793 S * 10/1994 Stoller D9/443
 D352,887 S * 11/1994 Schlack D8/343
 D372,854 S * 8/1996 Jimenez D8/307
 D394,184 S * 5/1998 Demore D7/391
 5,941,404 A * 8/1999 Charrette B65D 41/04
 215/305
 D416,060 S * 11/1999 Angeles D21/694
 6,006,930 A * 12/1999 Dreyer B65D 51/1688
 215/44
 6,056,145 A * 5/2000 Rush B65D 43/0212
 215/318
 D474,978 S * 5/2003 Varlet D9/549
 D525,518 S * 7/2006 Baldwin D8/310
 D533,396 S * 12/2006 Lipson D7/392.1
 D567,060 S * 4/2008 Busalt D8/310
 D587,375 S * 2/2009 Mao D24/168

D612,705 S * 3/2010 Baker D8/311
 D616,174 S * 5/2010 Beigel D99/5
 D621,124 S * 8/2010 Biegel D99/5
 D621,706 S * 8/2010 Breckan D9/443
 D621,707 S * 8/2010 Breckan D9/443
 D640,553 S * 6/2011 Eiteljorg D9/443
 D643,993 S * 8/2011 Biegel D99/5
 D644,950 S * 9/2011 Cooper D10/128
 D646,950 S * 10/2011 Going D8/307
 D653,011 S * 1/2012 Myers D99/5
 D684,813 S * 6/2013 Eyal D7/392
 D703,913 S * 4/2014 Irvine A61G 17/08
 D99/5
 D719,714 S * 12/2014 Khan D99/5
 D739,204 S * 9/2015 Arthurs D8/307
 D758,122 S * 6/2016 Simpson B65D 43/0212
 D7/325
 D759,338 S * 6/2016 Reynolds A61G 17/08
 D99/5
 D777,342 S * 1/2017 Piramoon D24/224
 D812,337 S * 3/2018 Reynolds D99/5
 D856,629 S * 8/2019 Reynolds D99/5
 2005/0269328 A1 * 12/2005 Crider B65D 43/0249
 220/276
 2010/0187247 A1 * 7/2010 Ziegler B65D 25/2817
 220/783
 2014/0047684 A1 * 2/2014 Reynolds A61G 17/08
 27/1

* cited by examiner

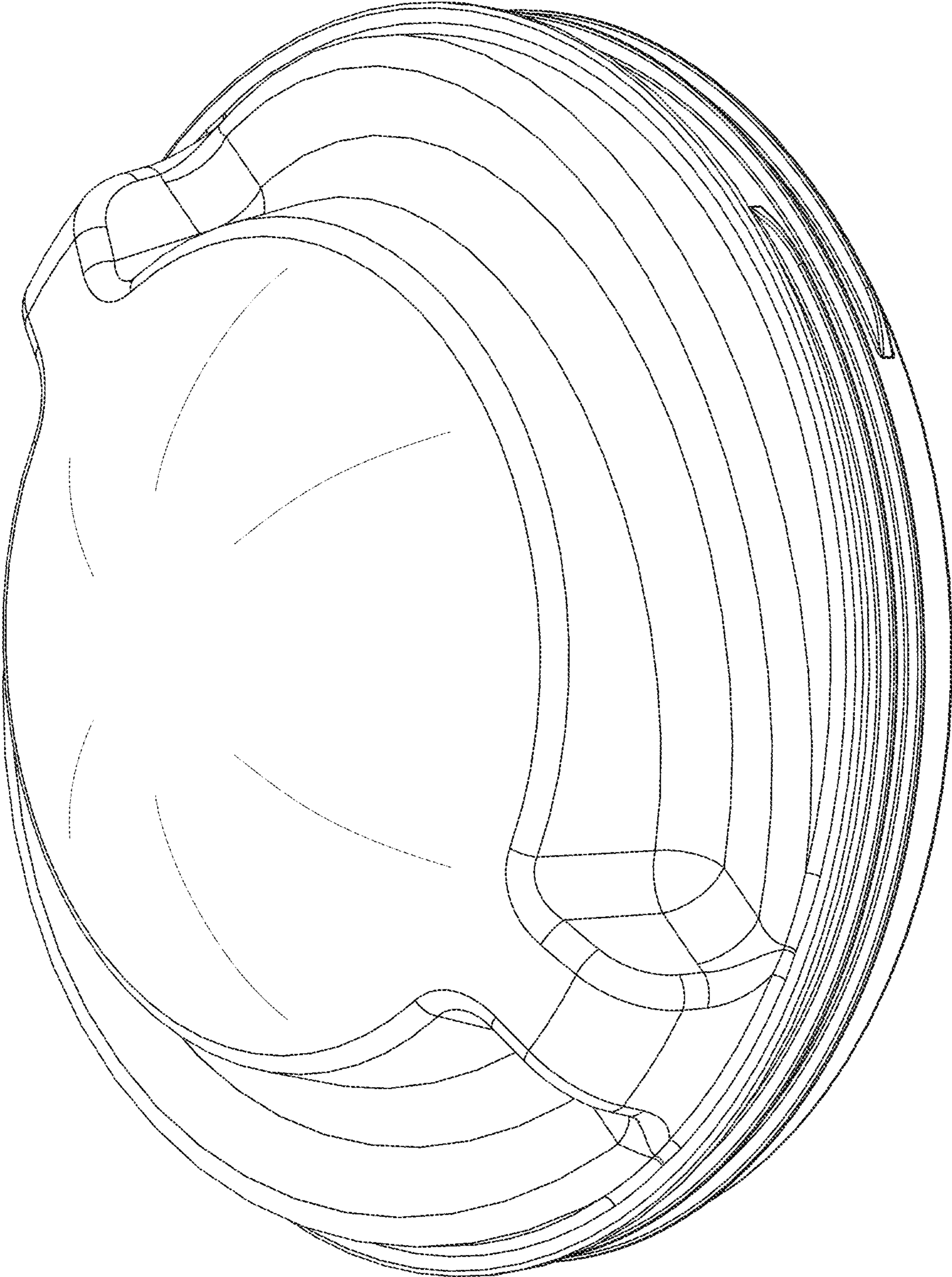


FIG. 1

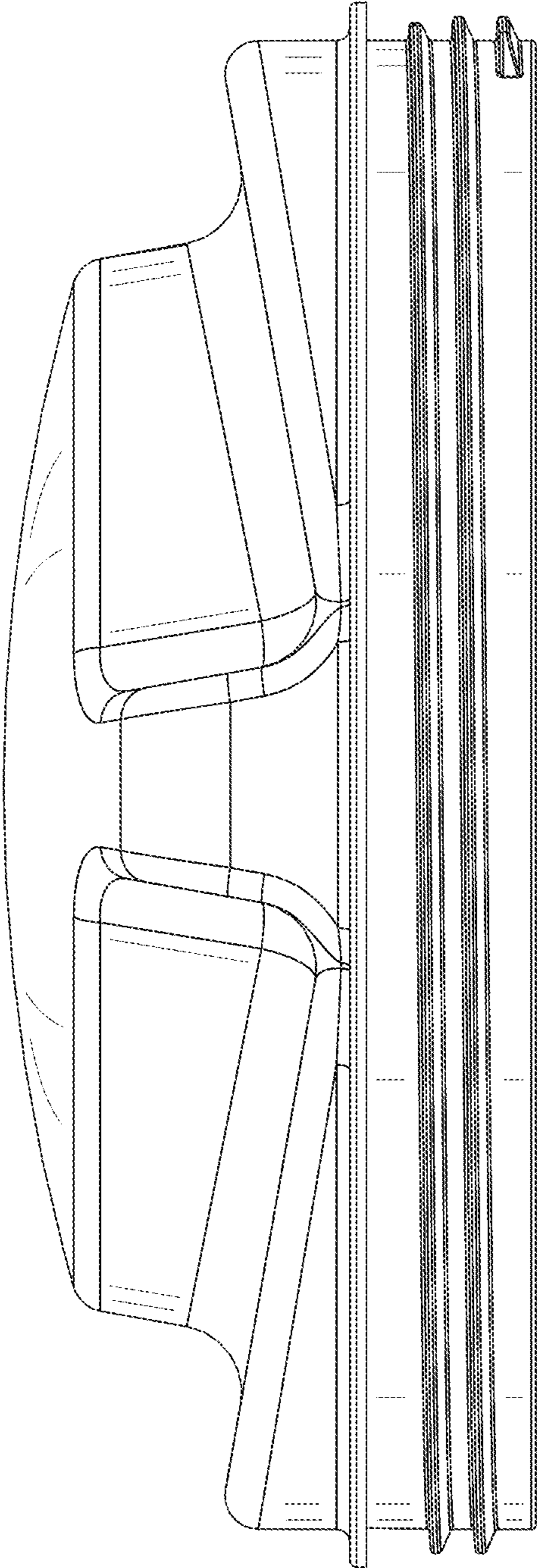


FIG. 2

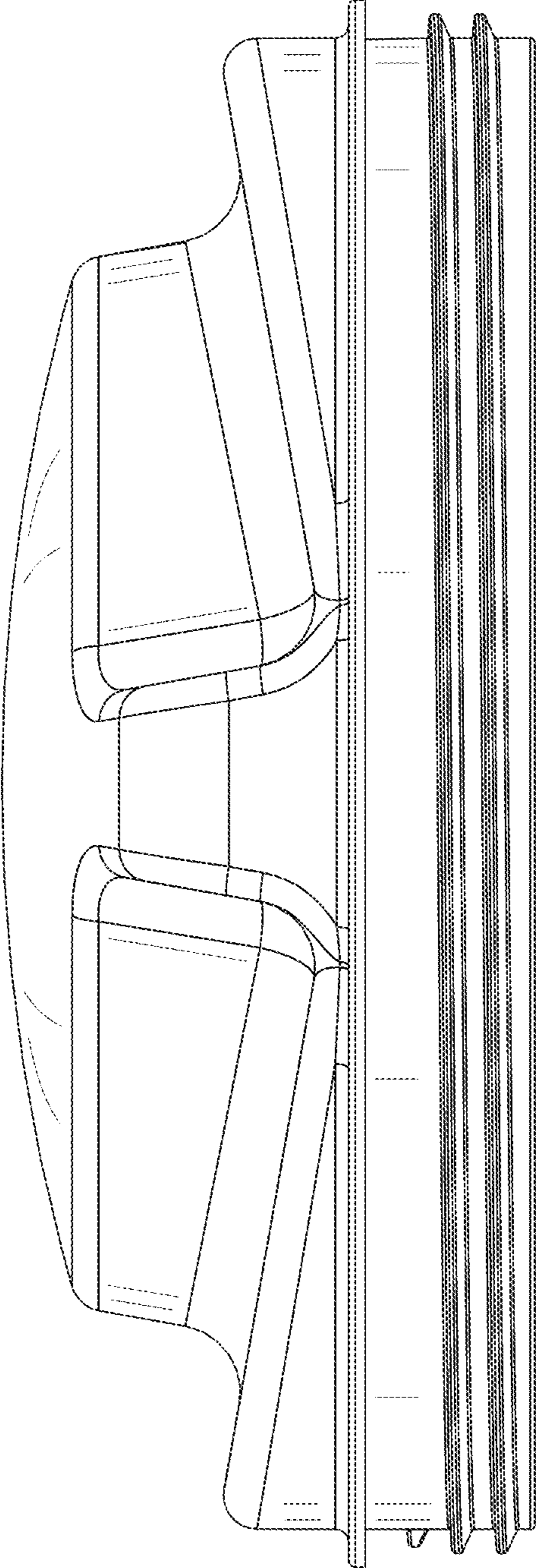


FIG. 3

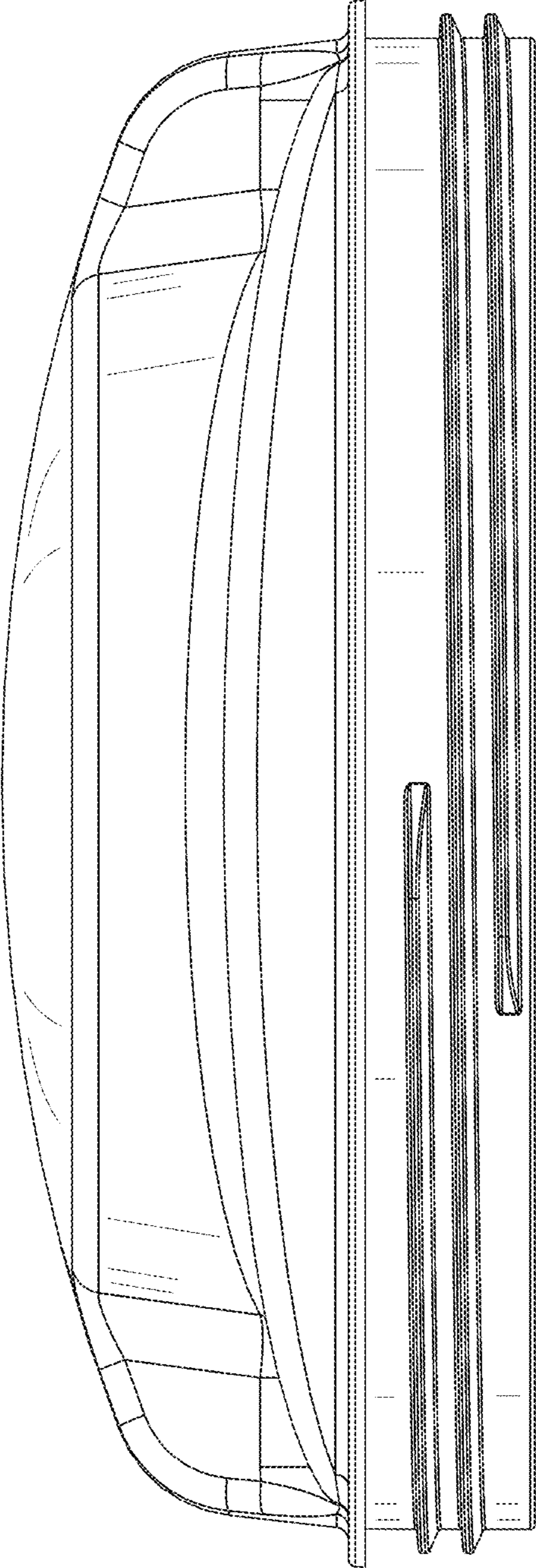


FIG. 4

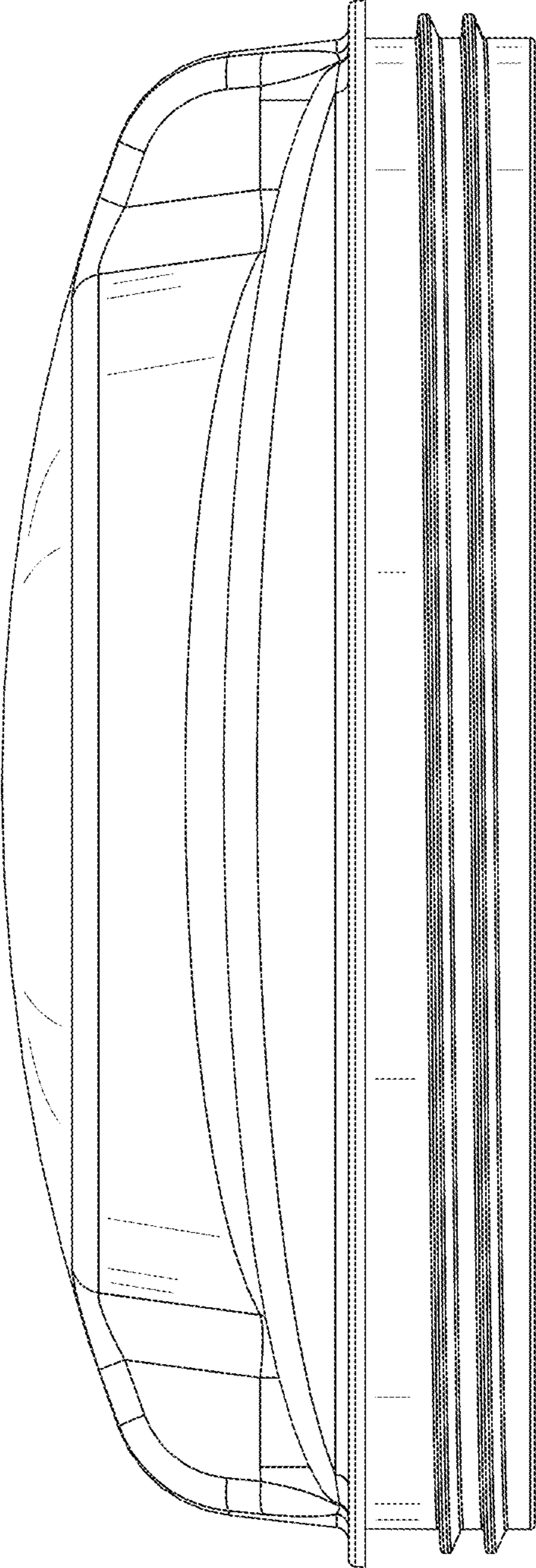


FIG. 5

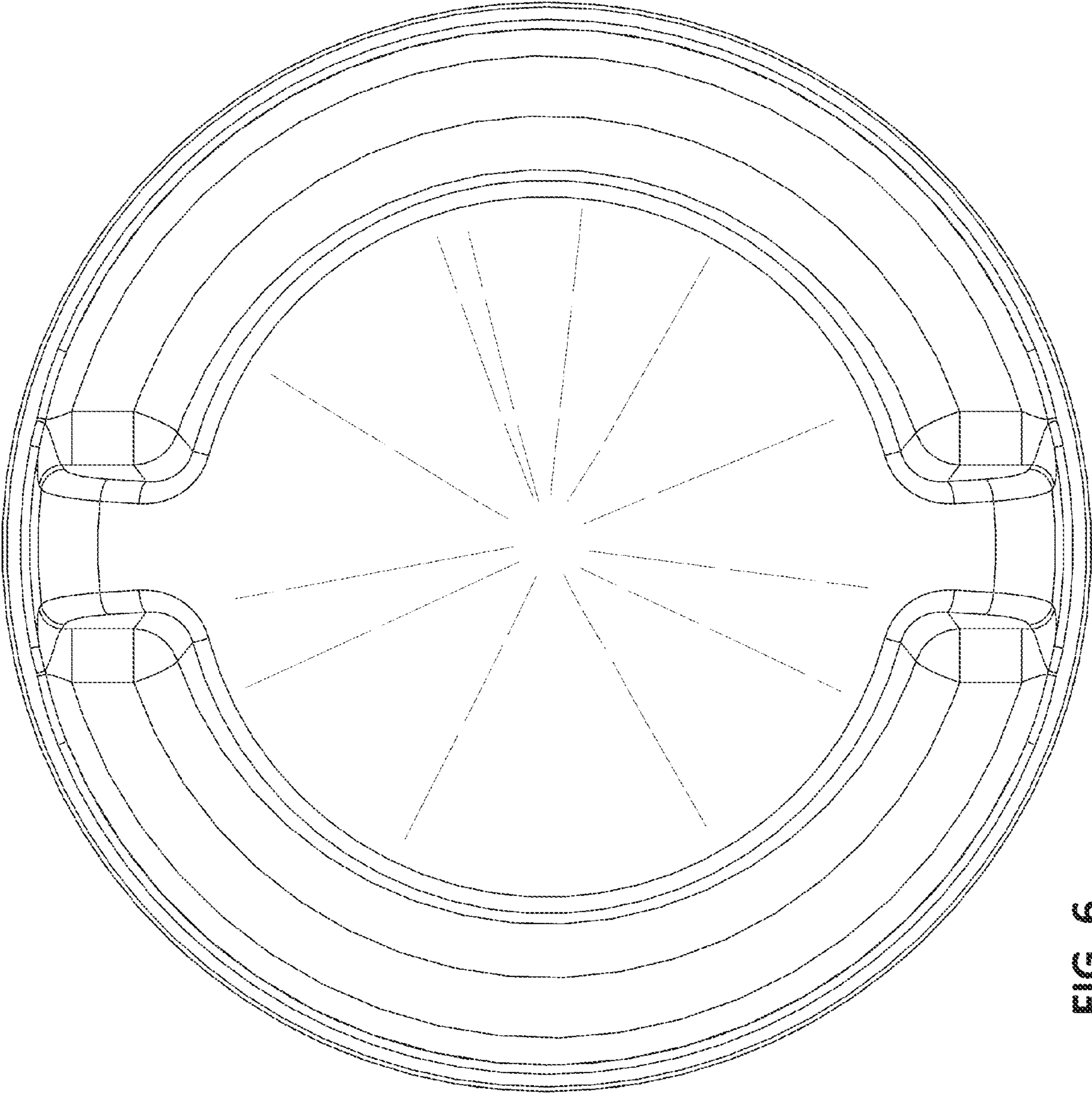


FIG. 6

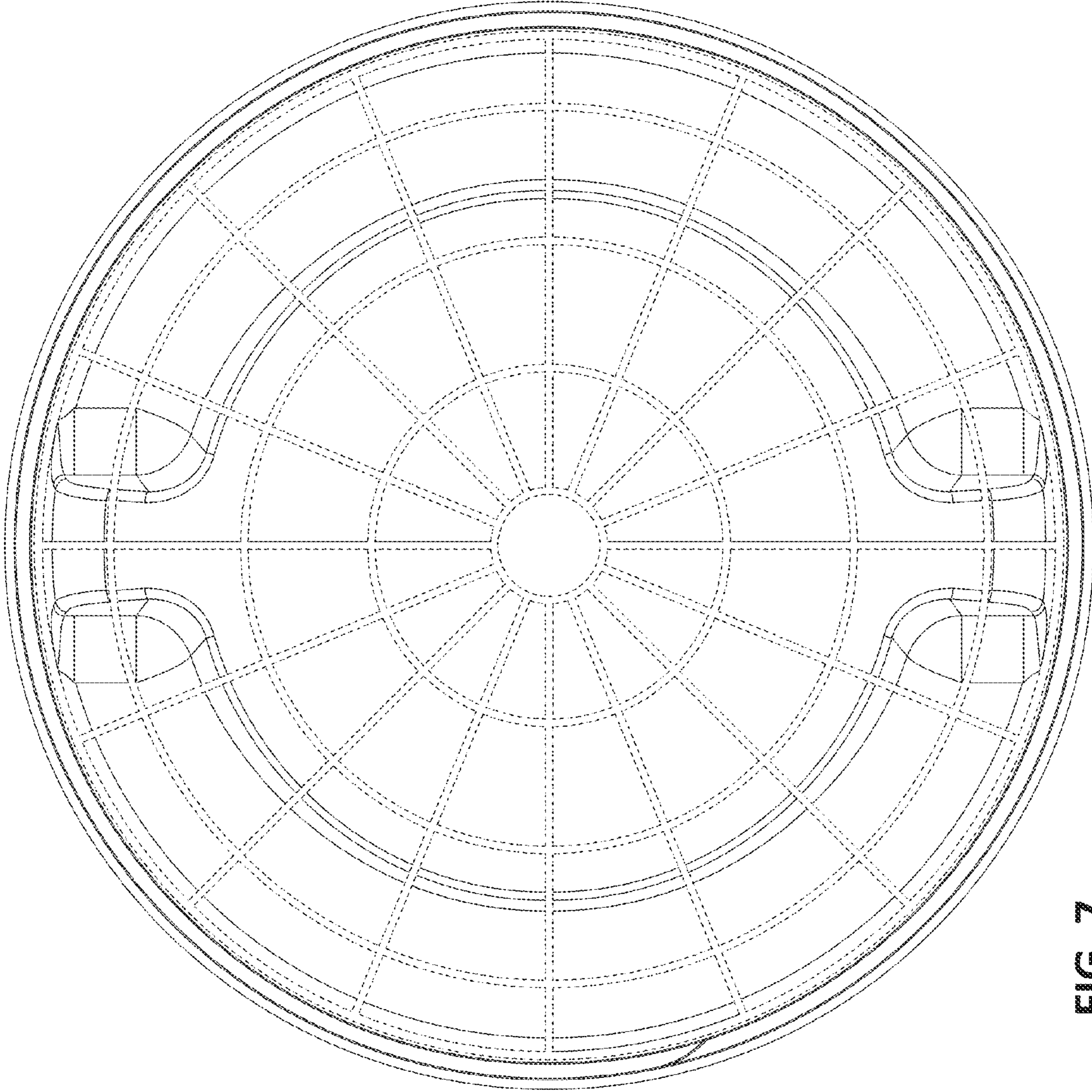


FIG. 7