



US00D895924S

(12) **United States Design Patent** (10) **Patent No.:** **US D895,924 S**
Heinzmann et al. (45) **Date of Patent:** **** Sep. 8, 2020**

(54) **PALLET** 6,234,087 B1 * 5/2001 Brown B65D 19/0034
108/55.1
(71) Applicant: **Big 3 Precision Products, Inc.**, D464,186 S 10/2002 Medoff et al.
Centralia, IL (US) 7,908,980 B2 * 3/2011 Schmidt B65D 77/0466
108/57.25
(72) Inventors: **Roger Heinzmann**, Walnut Hill, IL 9,487,326 B2 11/2016 Banik et al.
(US); **Alan Scheidt**, Troy, IL (US); **Joe** 9,487,329 B2 11/2016 Balazs et al.
Biagi, Centralia, IL (US) 9,580,237 B2 2/2017 Nolan et al.
D825,882 S 8/2018 Thompson
10,301,068 B2 5/2019 Nottestad et al.
(73) Assignee: **BIG 3 PRECISION PRODUCTS,** 10,457,444 B2 10/2019 Banik et al.
INC., Centralia, IL (US) D887,665 S * 6/2020 Peng D34/38
2009/0263228 A1 * 10/2009 Tygard B65D 19/38
414/800
(**) Term: **15 Years** 2012/0125802 A1 * 5/2012 Rayner B65D 19/0065
206/524.6
(21) Appl. No.: **29/728,029** 2019/0092523 A1 * 3/2019 Wu B27N 5/00

* cited by examiner

(22) Filed: **Mar. 16, 2020**
(51) **LOC (12) Cl.** **09-08**
(52) **U.S. Cl.**
USPC **D34/38**
(58) **Field of Classification Search**
USPC D34/38; D3/307
CPC B65D 2519/00323; B65D 2519/00293;
B65D 2519/00333; B65D 2519/00273;
B65D 2519/00572; B65D 2519/00338;
B65D 2519/00288; B65D 2519/0094;
B65D 2519/00069; B65D 2519/00318
See application file for complete search history.

Primary Examiner — Cynthia Ramirez
(74) *Attorney, Agent, or Firm* — Eric B. Fugett; Mark A. Pitchford; Pitchford Fugett, PLLC

(57) **CLAIM**

The ornamental design for a pallet, as shown and described.

DESCRIPTION

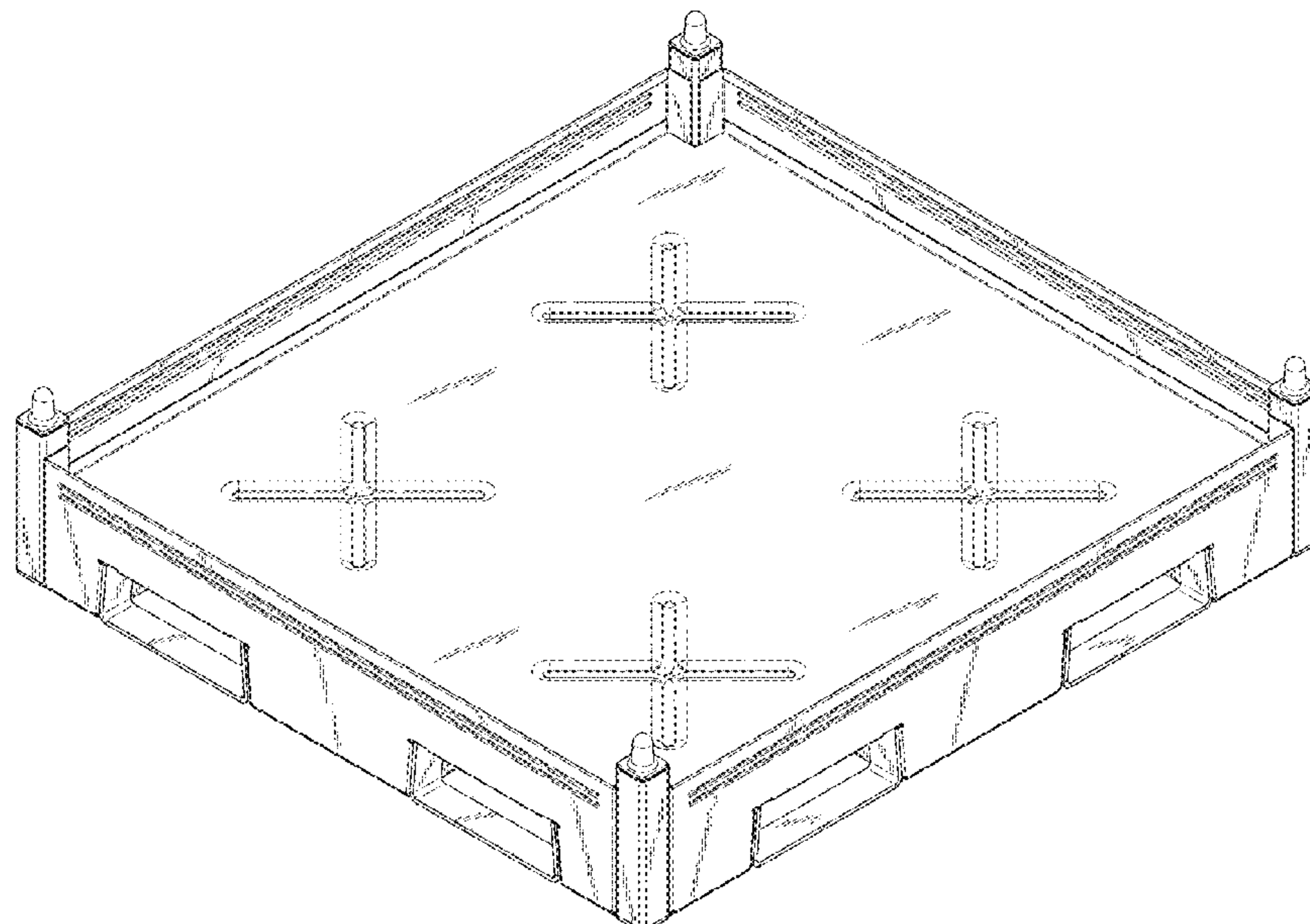
FIG. 1 is an elevated perspective view of a pallet showing Applicant's invention.
FIG. 2 is a depressed perspective view of the pallet of FIG. 1.
FIG. 3 is a top plan view of the pallet of FIG. 1.
FIG. 4 is front side elevational view of the pallet of FIG. 1, the back side being a mirror image thereof.
FIG. 5 is bottom plan view of the pallet of FIG. 1; and, FIG. 6 is a left side elevational view of the pallet of FIG. 1, the right side being a mirror image thereof.
The broken lines in FIGS. 1-3 and 5 depict portions of the pallet that form no part of the claimed design.

(56) **References Cited**

U.S. PATENT DOCUMENTS

4,226,192 A * 10/1980 Myers B65D 19/0018
108/53.1
D258,948 S 4/1981 Stump
4,674,414 A * 6/1987 Nulle B65D 19/004
108/53.3
5,094,175 A 3/1992 Christie
5,667,065 A * 9/1997 Fahrion B65D 19/004
108/53.1
D404,179 S 1/1999 Apps et al.

1 Claim, 4 Drawing Sheets



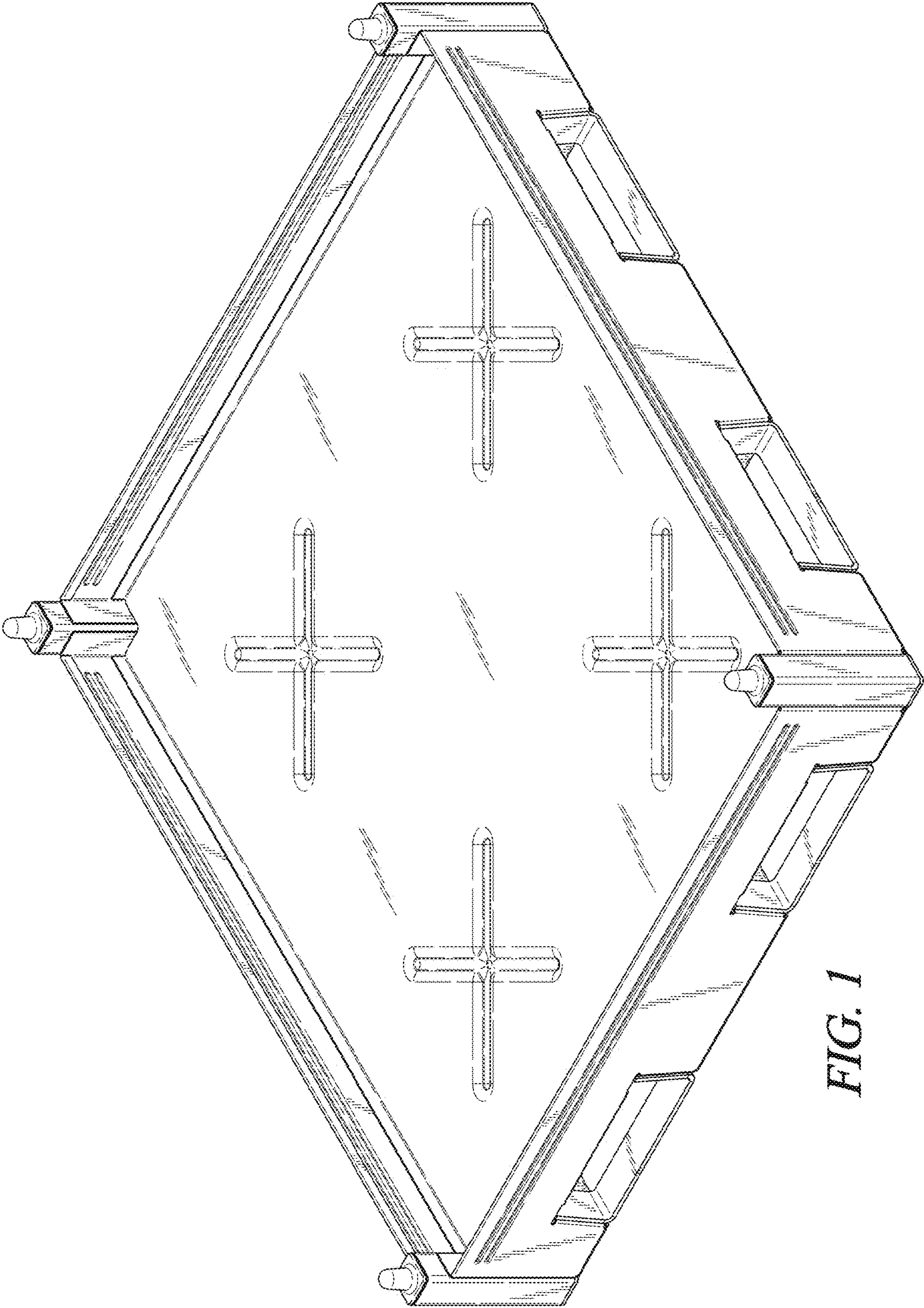


FIG. 1

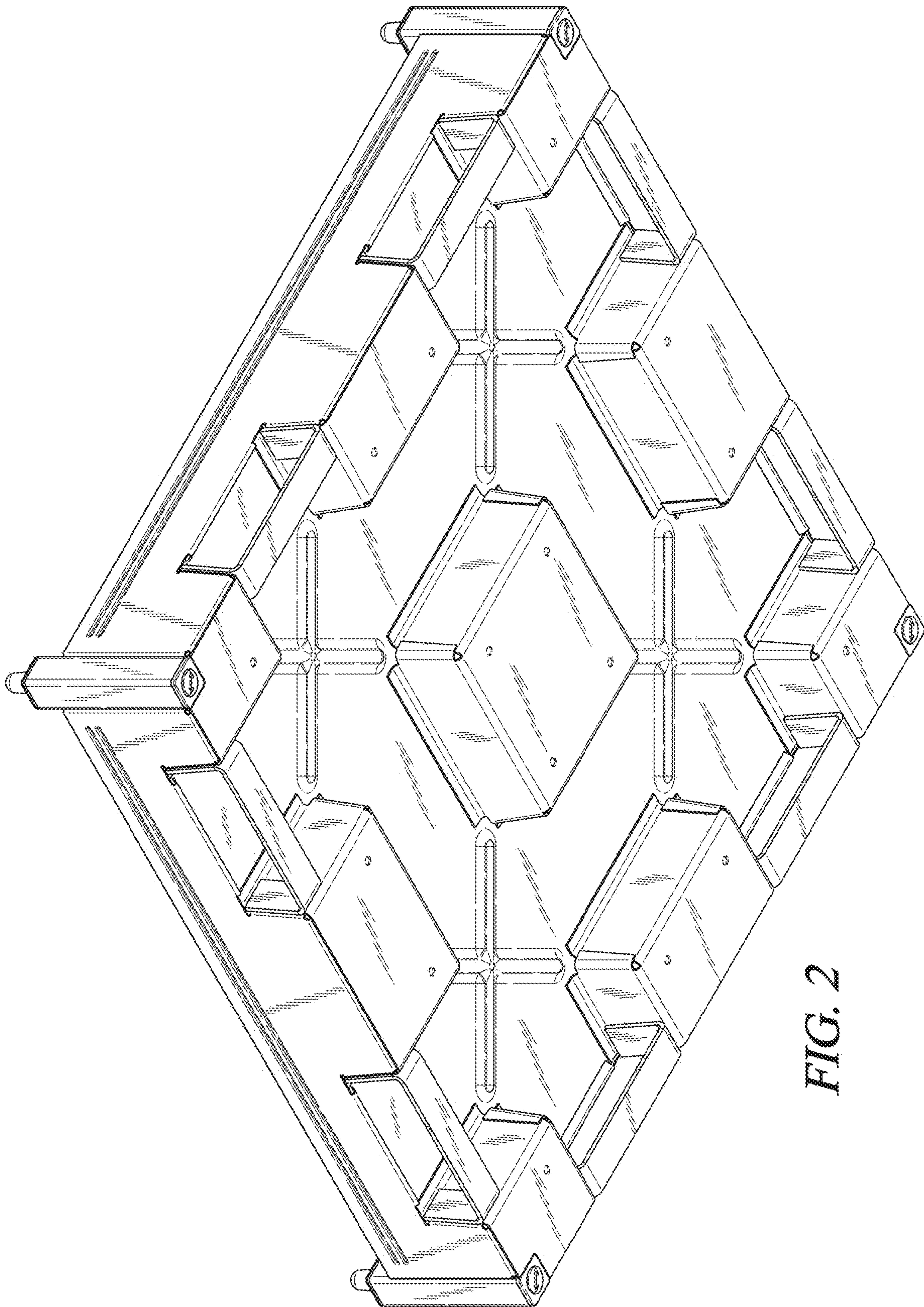


FIG. 2

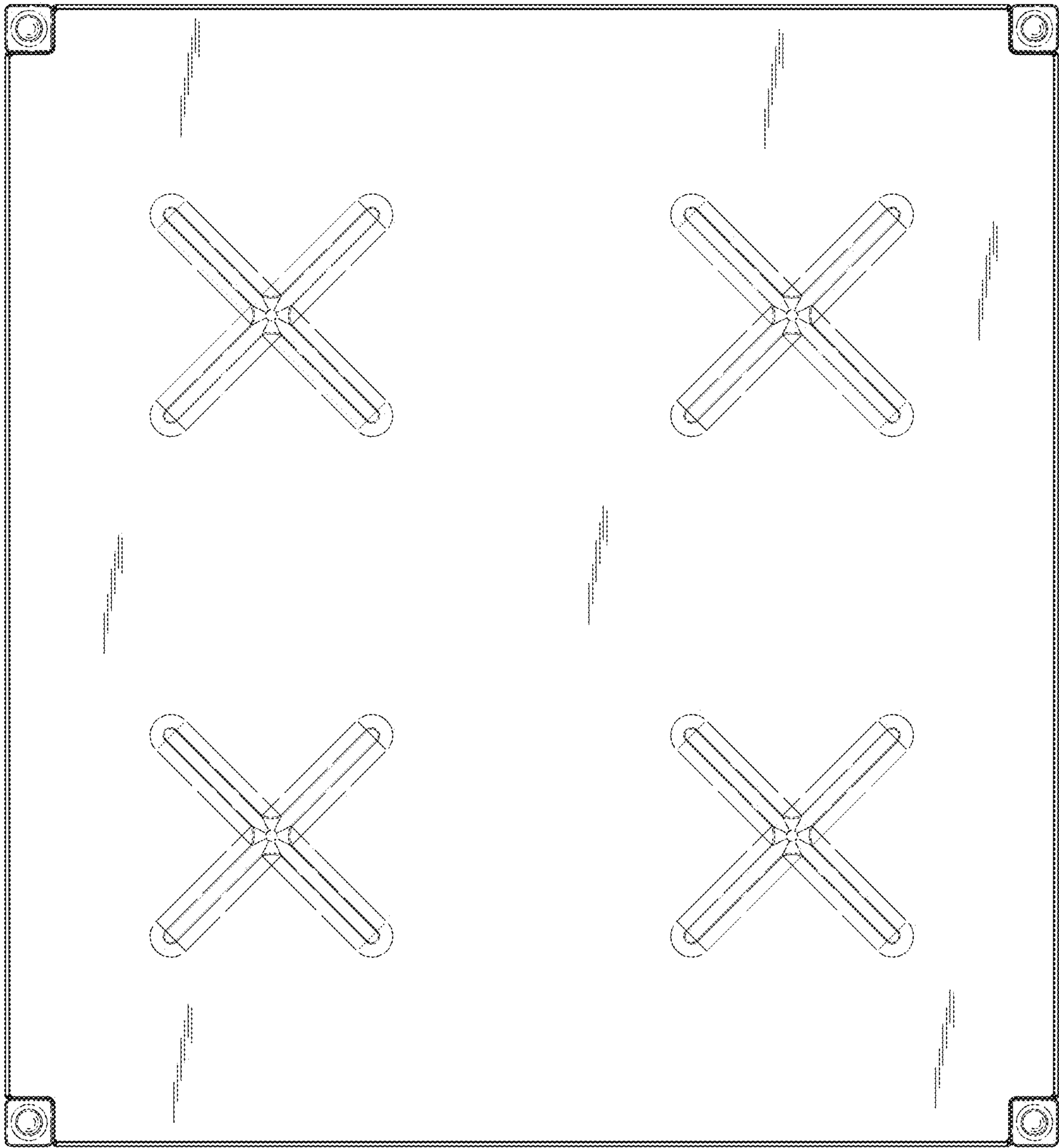


FIG. 3

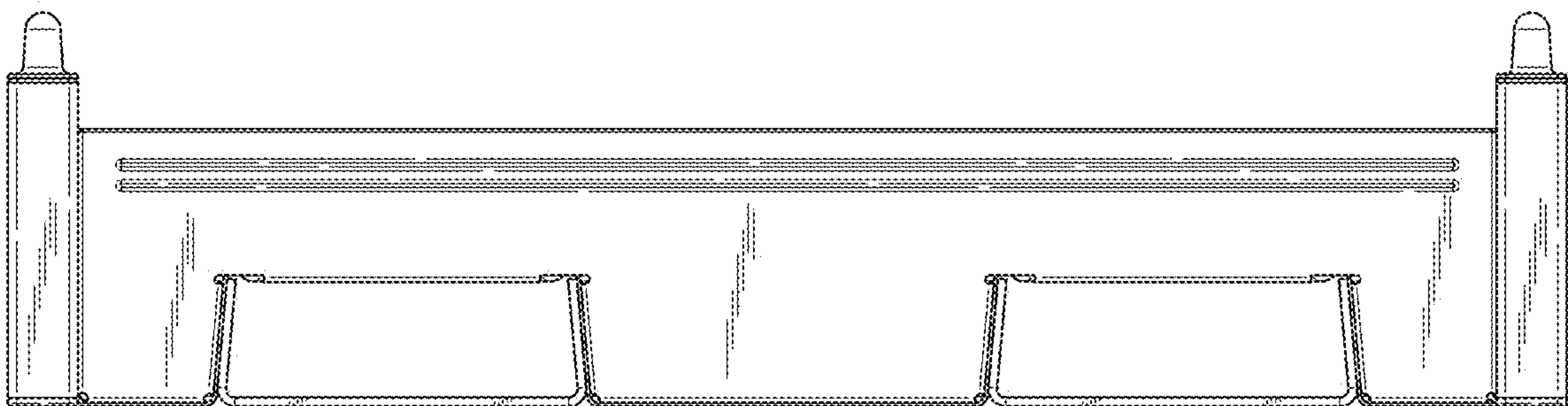


FIG. 4

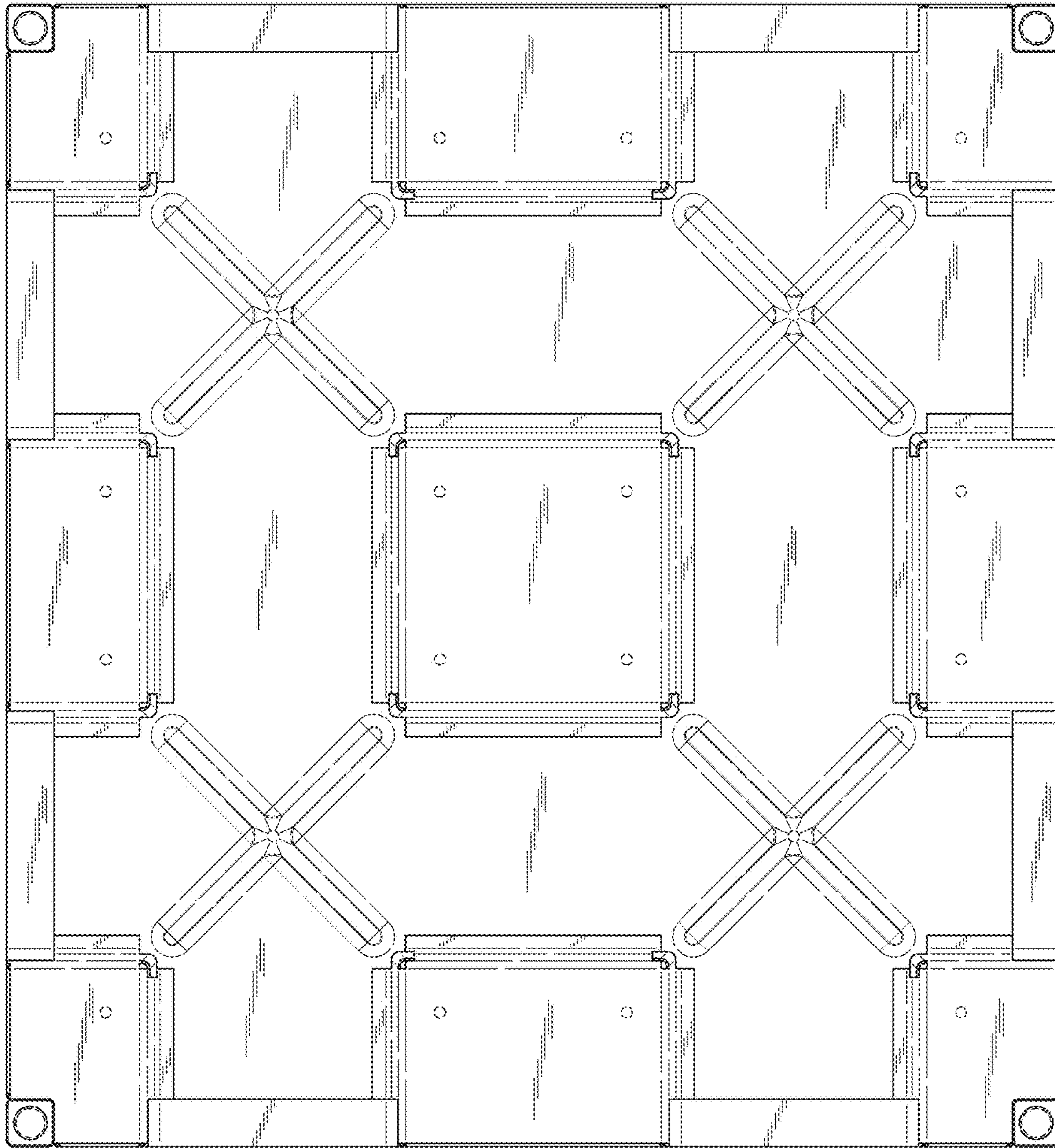


FIG. 5

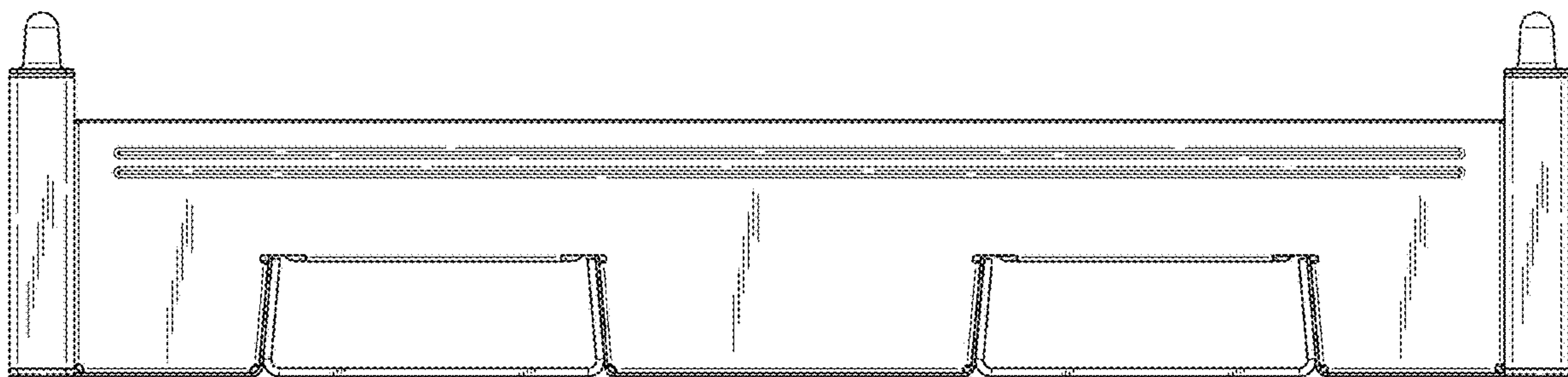


FIG. 6