

US00D895923S

(12) **United States Design Patent** (10) **Patent No.:** **US D895,923 S**
Jie (45) **Date of Patent:** **** Sep. 8, 2020**

(54) **ROTATABLE FISHING MAGNET**

(71) Applicant: **Sang Jie**, Ningbo (CN)

(72) Inventor: **Sang Jie**, Ningbo (CN)

(**) Term: **15 Years**

(21) Appl. No.: **29/690,710**

(22) Filed: **May 9, 2019**

(51) **LOC (12) Cl.** **12-05**

(52) **U.S. Cl.**
USPC **D34/35; D22/136**

(58) **Field of Classification Search**
USPC D32/28, 33, 35; D8/14; D22/136
CPC H01F 7/0257; B66C 1/00; B66C 1/04
See application file for complete search history.

(56) **References Cited**

U.S. PATENT DOCUMENTS

4,802,702 A * 2/1989 Bownds A47L 13/41
294/65.5
5,248,176 A * 9/1993 Fredriksson B66C 1/66
294/215
D417,328 S * 11/1999 Kwon D34/35
6,002,317 A * 12/1999 Pignataro B23Q 3/1543
335/285
6,076,873 A * 6/2000 Jung H01F 7/04
294/65.5
6,104,271 A * 8/2000 Barrett B03C 1/28
335/291
D446,701 S * 8/2001 Coleman, Jr. D8/14
6,443,514 B1 * 9/2002 Fuller B66C 1/66
294/215
6,557,429 B1 * 5/2003 Asquith B66C 1/04
335/212
6,652,012 B1 * 11/2003 Fuller B66C 1/66
294/215

6,683,521 B2 * 1/2004 Snider H01F 7/0231
294/65.5
6,854,777 B2 * 2/2005 Jung B66C 1/04
294/65.5
D542,505 S * 5/2007 Alba D34/35
D816,935 S * 5/2018 Maness D34/28
D852,150 S * 6/2019 Turksu D13/183
2014/0037418 A1 * 2/2014 Syrowik H01F 7/0257
414/800

* cited by examiner

Primary Examiner — Philip S Hyder
(74) *Attorney, Agent, or Firm* — Pasadena Legal Group;
Norman R. Van Treeck

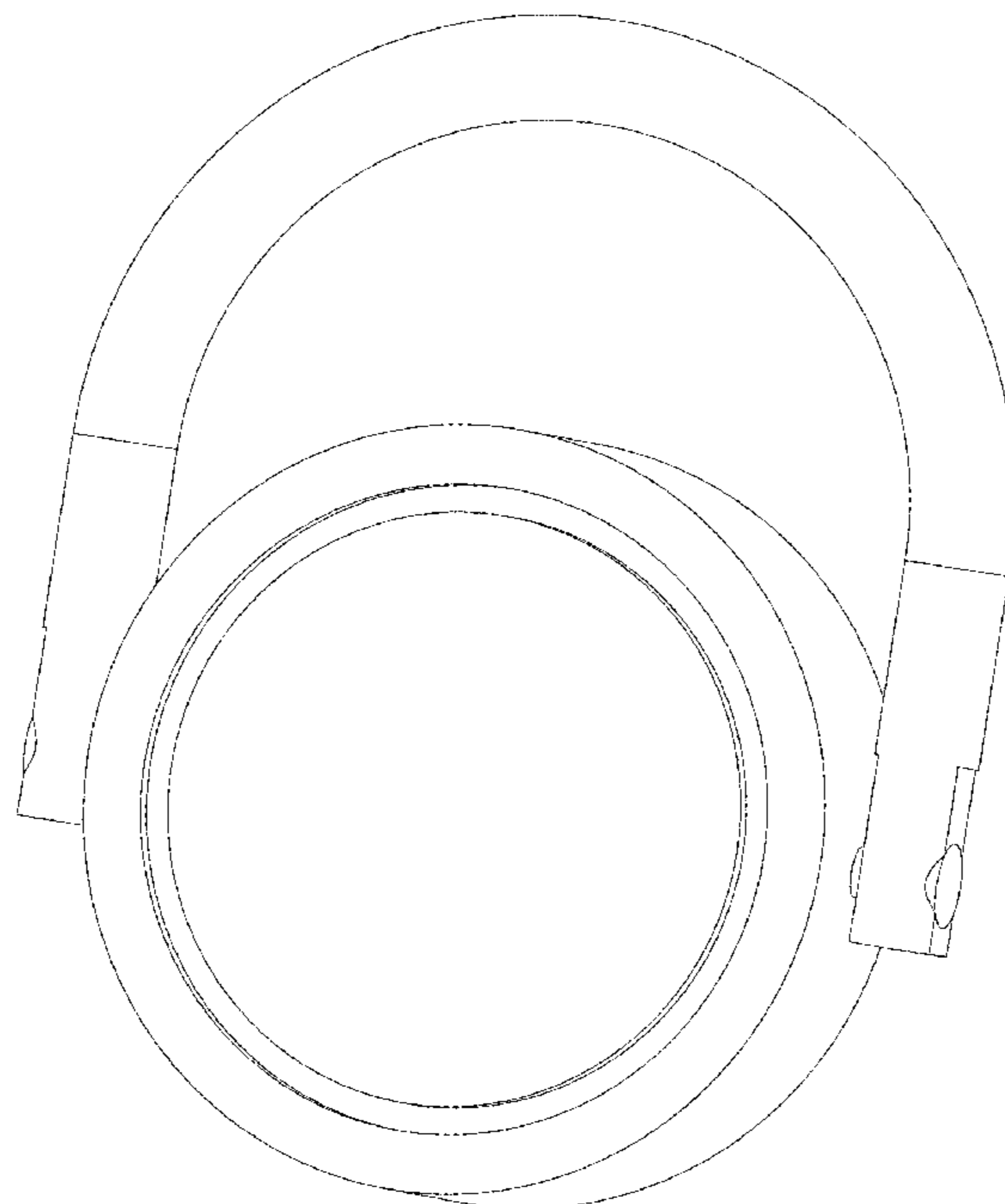
(57) **CLAIM**

The ornamental design for a rotatable fishing magnet, as shown and described.

DESCRIPTION

FIG. 1 is a front perspective view of a rotatable fishing magnet according to my new design;
 FIG. 2 is a top plan view of the rotatable fishing magnet shown in FIG. 1;
 FIG. 3 is a bottom plan view of the rotatable fishing magnet shown in FIG. 1;
 FIG. 4 is a left elevation view of the rotatable fishing magnet shown in FIG. 1;
 FIG. 5 is a right elevation view of the rotatable fishing magnet shown in FIG. 1;
 FIG. 6 is a front elevation view of the rotatable fishing magnet shown in FIG. 1; and,
 FIG. 7 is a rear elevation view of a rotatable fishing magnet having one light according to another embodiment of my new design.

1 Claim, 7 Drawing Sheets



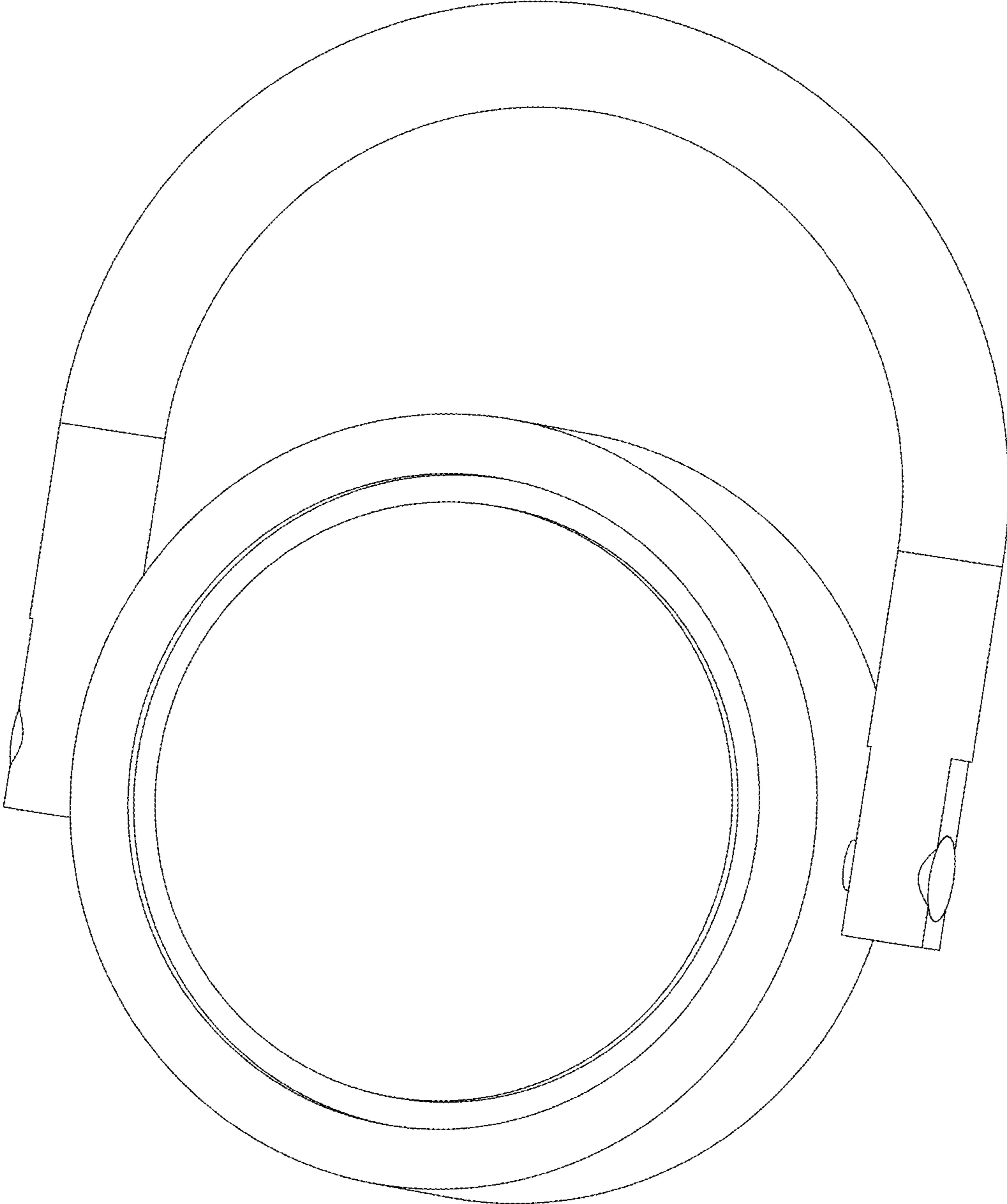


FIG. 1

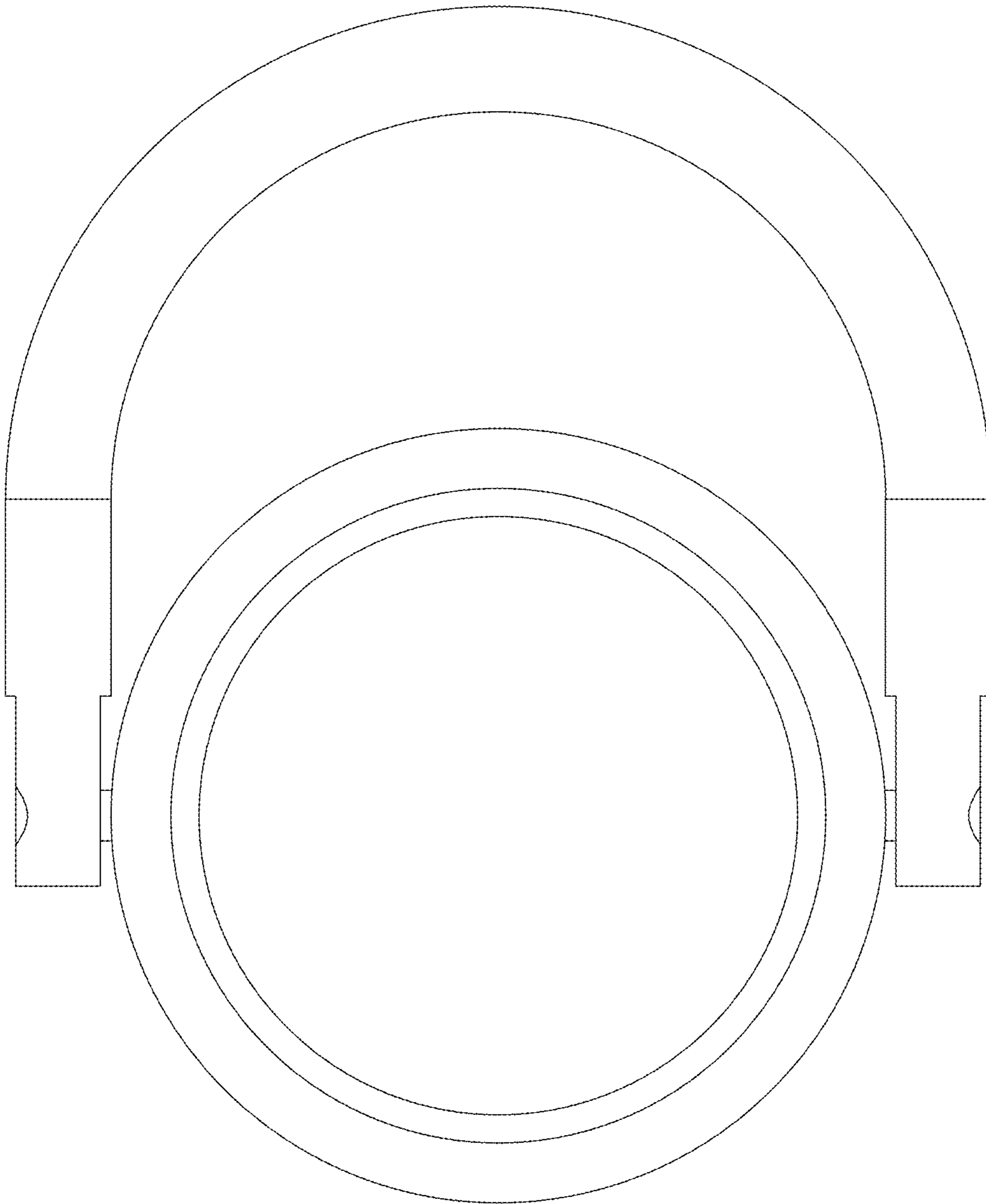


FIG. 2

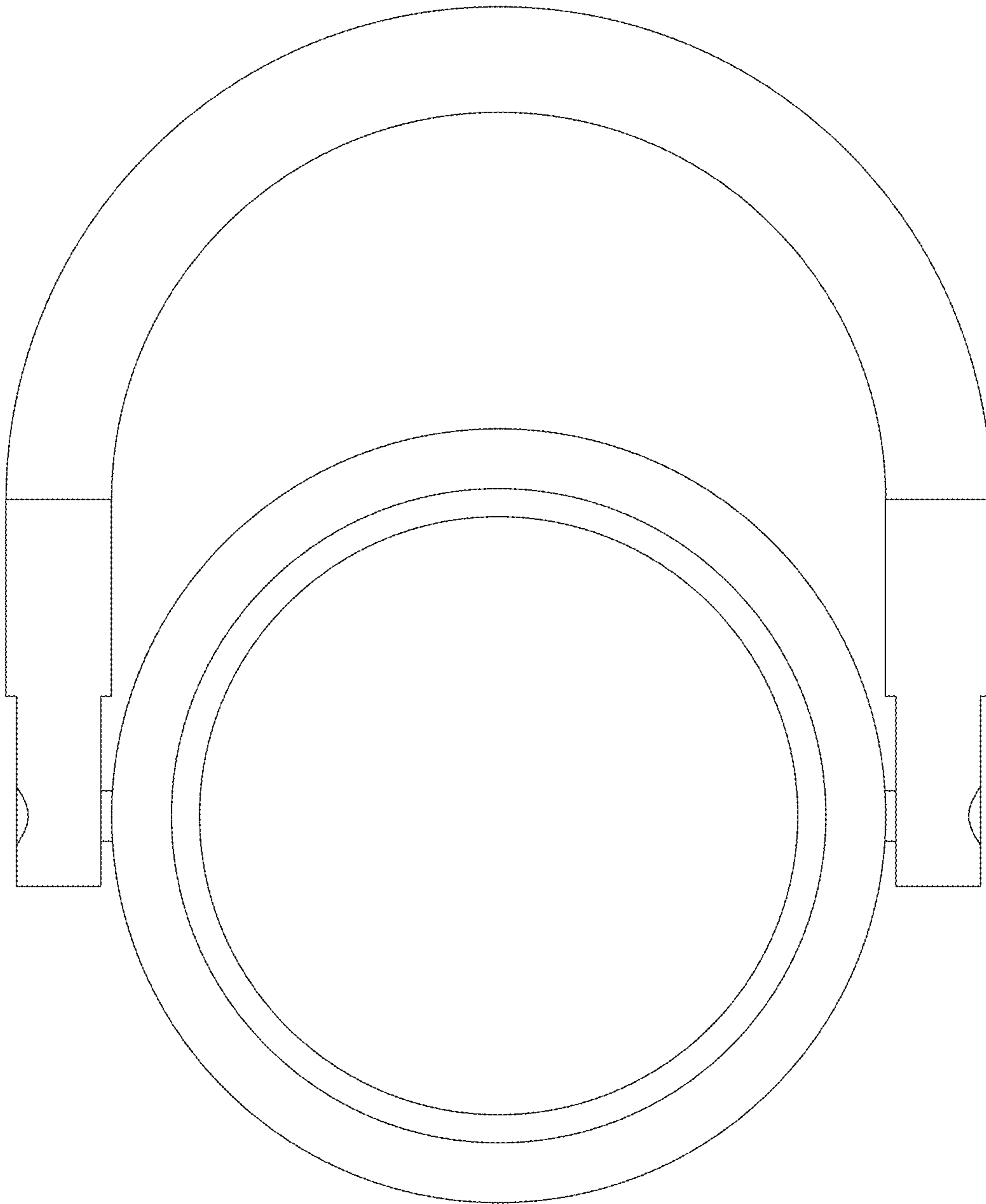


FIG.3

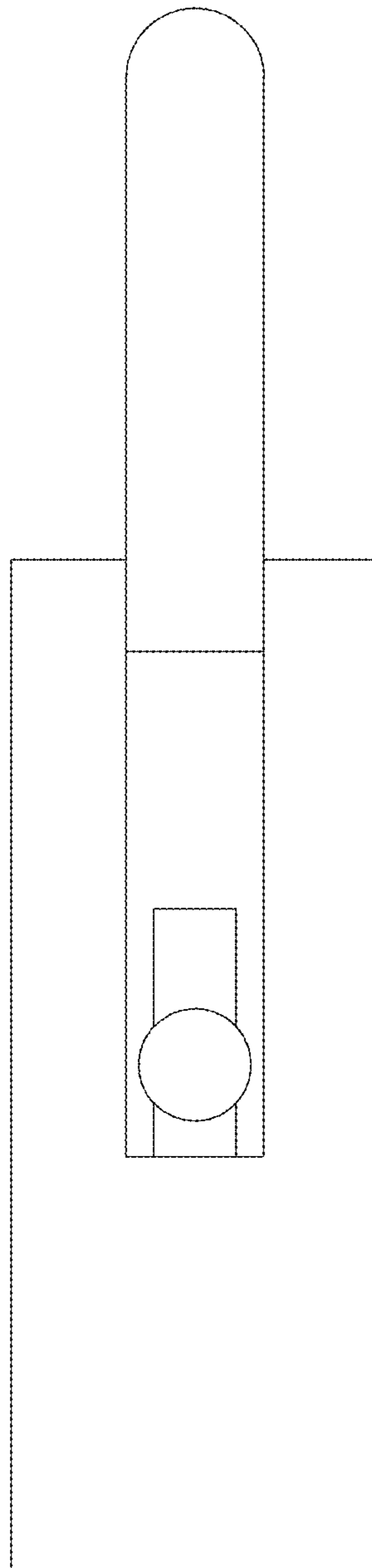


FIG.4

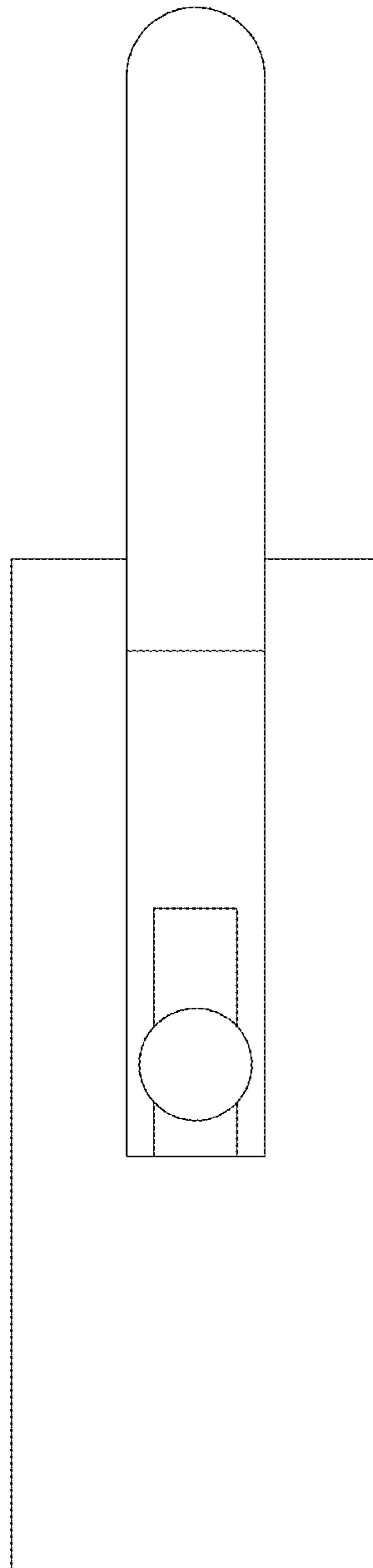


FIG. 5

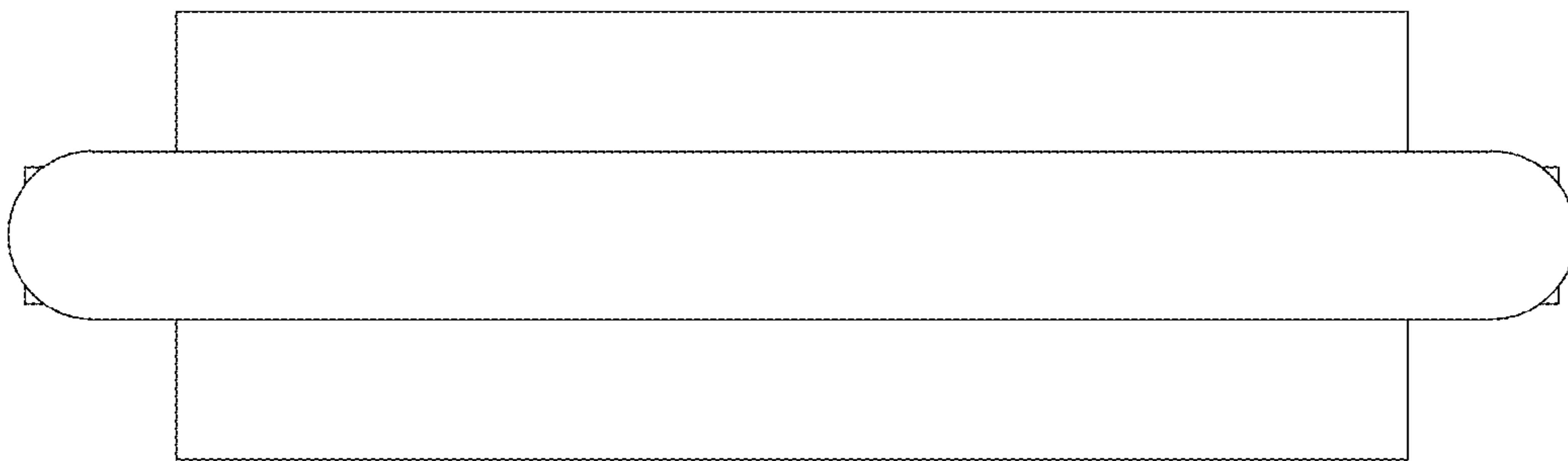


FIG. 6

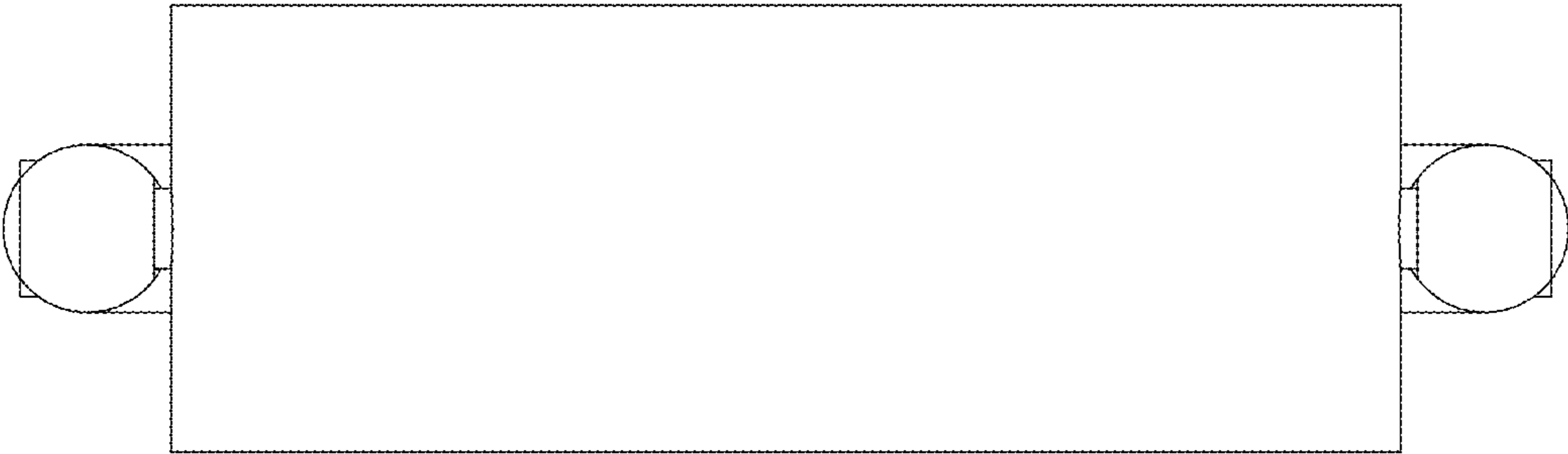


FIG. 7