



US00D895922S

(12) **United States Design Patent**
Kleinikkink et al.

(10) **Patent No.:** **US D895,922 S**
(45) **Date of Patent:** **** Sep. 8, 2020**

- (54) **RAIL FOR A CONVEYOR SYSTEM**
- (71) Applicant: **ATS AUTOMATION TOOLING SYSTEMS INC.**, Cambridge (CA)
- (72) Inventors: **Albert Kleinikkink**, Cambridge (CA); **Ian Cameron**, Cambridge (CA); **Roger Hogan**, Cambridge (CA)
- (73) Assignee: **ATS AUTOMATION TOOLING SYSTEMS INC.**, Cambridge, Ontario (CA)
- (**) Term: **15 Years**
- (21) Appl. No.: **29/649,188**
- (22) Filed: **May 28, 2018**
Related U.S. Application Data
- (63) Continuation of application No. 29/627,542, filed on Nov. 28, 2017.
- (51) **LOC (12) Cl.** **12-05**
- (52) **U.S. Cl.**
USPC **D34/29; D34/35**
- (58) **Field of Classification Search**
USPC **D34/29, 35; D25/119**
(Continued)

(56) **References Cited**

U.S. PATENT DOCUMENTS

- 1,796,316 A * 3/1931 Bemis E04B 1/18
52/437
- 3,131,792 A * 5/1964 Groneman A47F 11/02
52/38

(Continued)

Primary Examiner — Cynthia Ramirez

(74) *Attorney, Agent, or Firm* — Gowling WLG (Canada) LLP; Neil W. Henderson

(57) **CLAIM**

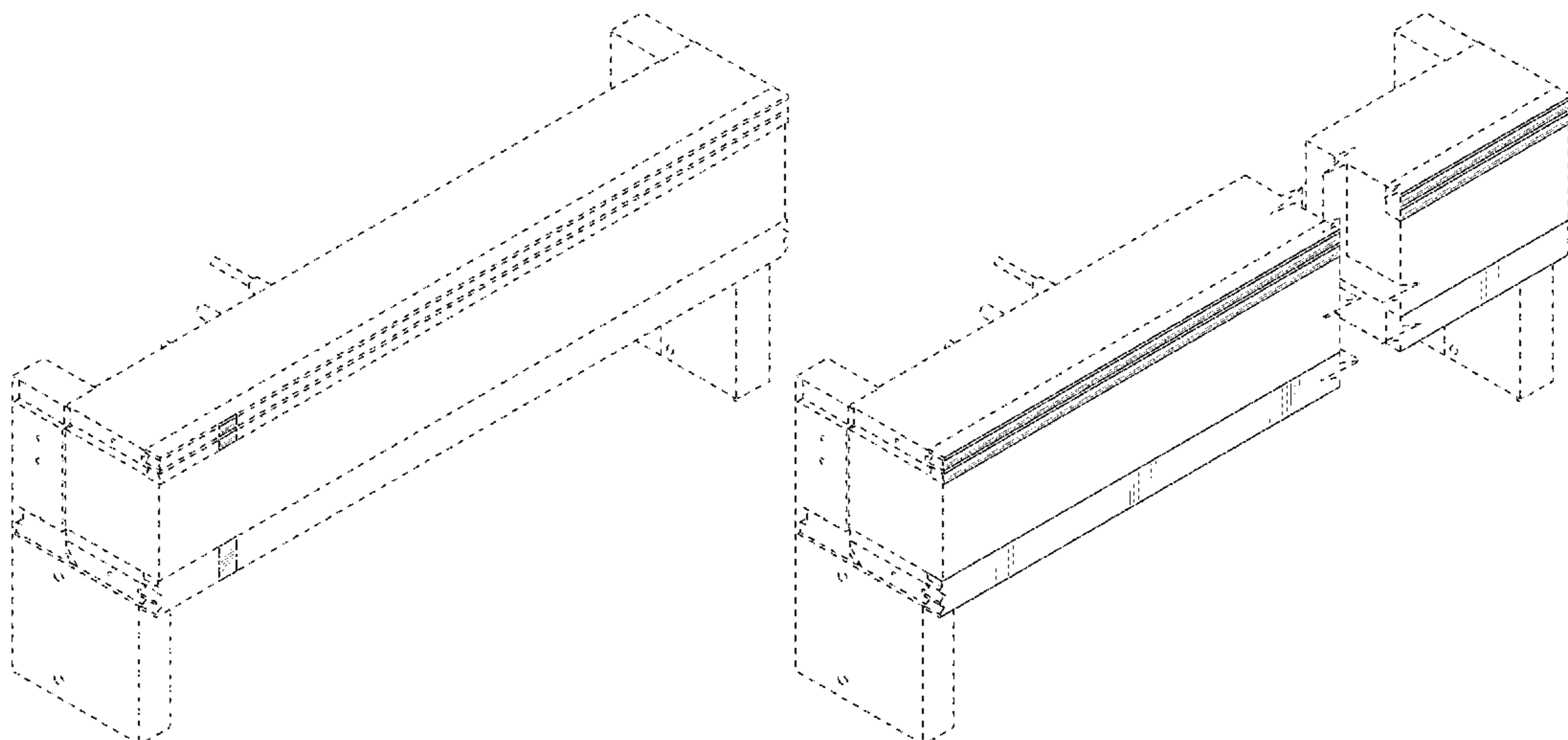
The ornamental design for a rail for a conveyor system, as shown and described.

DESCRIPTION

FIG. 1 is a front top left perspective view of a rail for a conveyor system showing our new design according to an embodiment.

FIG. 2 is a rear bottom right perspective view thereof.
 FIG. 3 is a front view thereof.
 FIG. 4 is rear a view thereof.
 FIG. 5 is a left view thereof.
 FIG. 6 is a right view thereof.
 FIG. 7 is a top view thereof.
 FIG. 8 is a bottom view thereof.
 FIG. 9 is a front top left perspective view of a rail for a conveyor system showing our new design according to an embodiment.
 FIG. 10 is a rear bottom right perspective view thereof.
 FIG. 11 is a front view thereof.
 FIG. 12 is rear a view thereof.
 FIG. 13 is a left view thereof.
 FIG. 14 is a right view thereof.
 FIG. 15 is a top view thereof.
 FIG. 16 is a bottom view thereof.
 FIG. 17 is a front top left perspective view of a rail for a conveyor system showing our new design according to an embodiment.
 FIG. 18 is a rear bottom right perspective view thereof.
 FIG. 19 is a front view thereof.
 FIG. 20 is rear a view thereof.
 FIG. 21 is a left view thereof.
 FIG. 22 is a right view thereof.
 FIG. 23 is a top view thereof; and,
 FIG. 24 is a bottom view thereof.
 The broken lines comprising even length dashes showing the remainder of the rail for a conveyor system are unclaimed subject matter and form no part of the claimed design herein. The dot-dashed lines boundary lines form no part of the claimed design herein. The bounds of the claimed design are defined with dot-dashed boundary lines herein when a boundary does not exist at the location of the dot-dashed boundary lines in the article embodying the design. The design extends to but does not include the dot-dashed boundary lines.
 The rail for a conveyor system is shown with a symbolic break in its length. The appearance of any portion of the article between the break lines form no part of the claimed design.

1 Claim, 24 Drawing Sheets



(58) **Field of Classification Search**

CPC B65G 23/08; B65G 2201/04; B65G
2201/02; B65G 18/08; B65G 17/08;
B65G 2812/02396; B22D 11/128; B28B
15/00; B28B 1/084

See application file for complete search history.

(56) **References Cited**

U.S. PATENT DOCUMENTS

D238,510 S * 1/1976 Tabler D34/29
4,811,516 A * 3/1989 Anderson E01F 13/06
49/141
D322,255 S * 12/1991 Prados D25/122
D350,612 S * 9/1994 Gullblom D25/121
D464,783 S * 10/2002 Abbestam D25/119
D547,884 S * 7/2007 Aughton D25/119
D561,421 S * 2/2008 Cheng D34/29
D565,271 S * 3/2008 Falbaum D32/40
D584,473 S * 1/2009 Campbell D34/29
D587,731 S * 3/2009 Niedermeyer D15/136
D643,545 S * 8/2011 McDonald D25/121
D660,544 S * 5/2012 Onayama D25/119
D670,474 S * 11/2012 Koch B66C 7/02
D34/35
D701,015 S * 3/2014 Specht D34/29
D726,988 S * 4/2015 Baric D34/29
D729,487 S * 5/2015 Dockx D34/29
D737,536 S * 8/2015 Baek D34/29
D764,140 S * 8/2016 Holzhaeuser D25/124
D771,277 S * 11/2016 McCue D25/125
D828,673 S * 9/2018 Vroom D34/29
D834,729 S * 11/2018 Lee D25/119
2018/0273301 A1 * 9/2018 Breton B65G 21/18

* cited by examiner

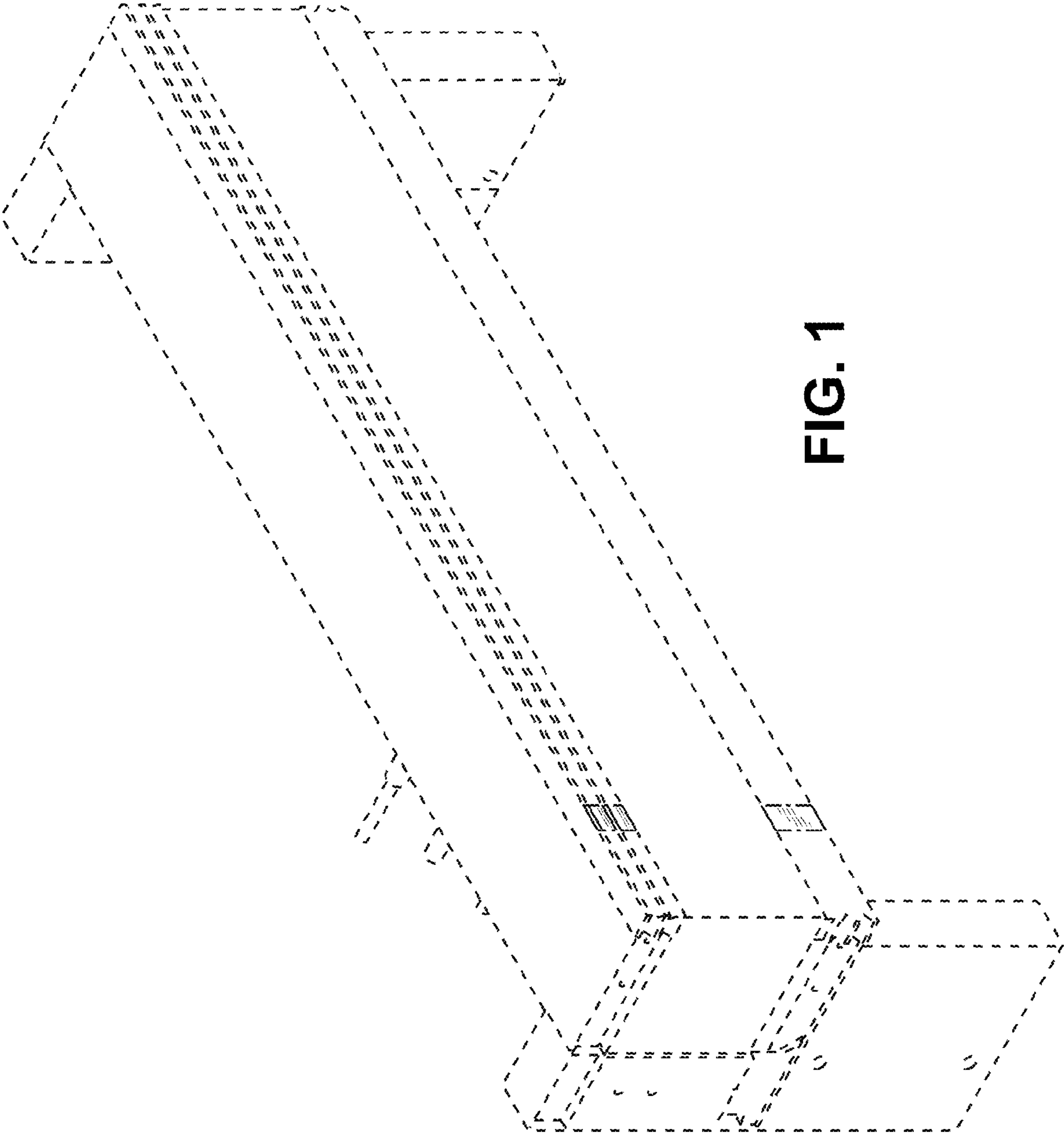


FIG. 1

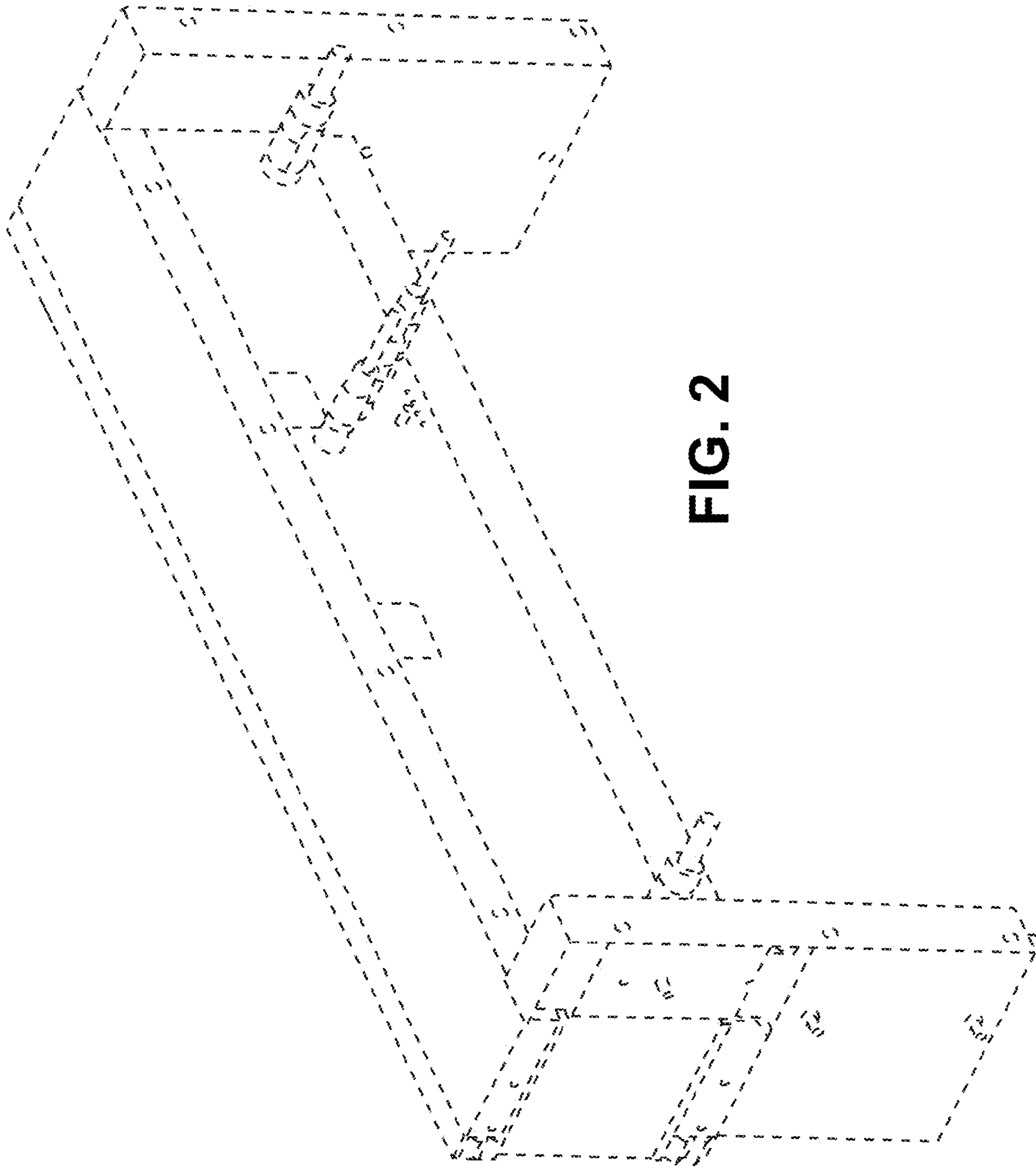


FIG. 2

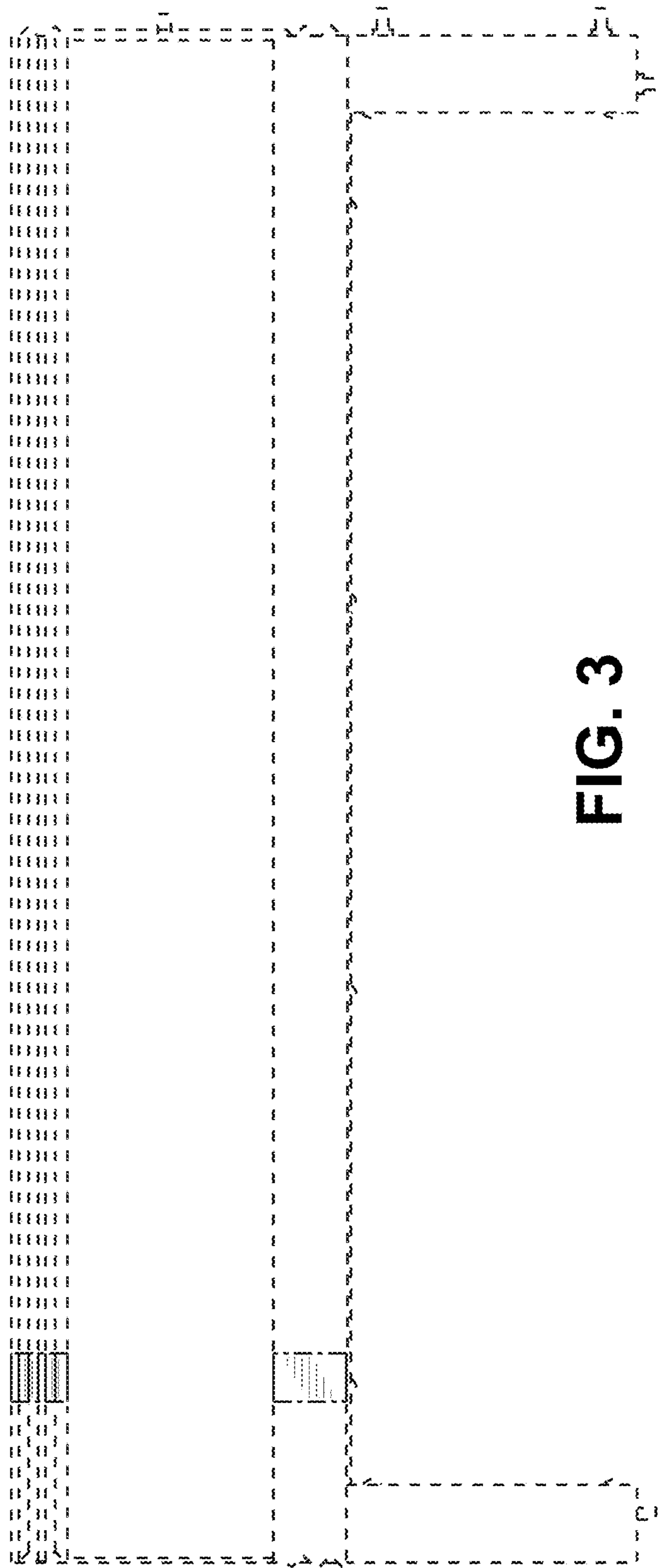


FIG. 3

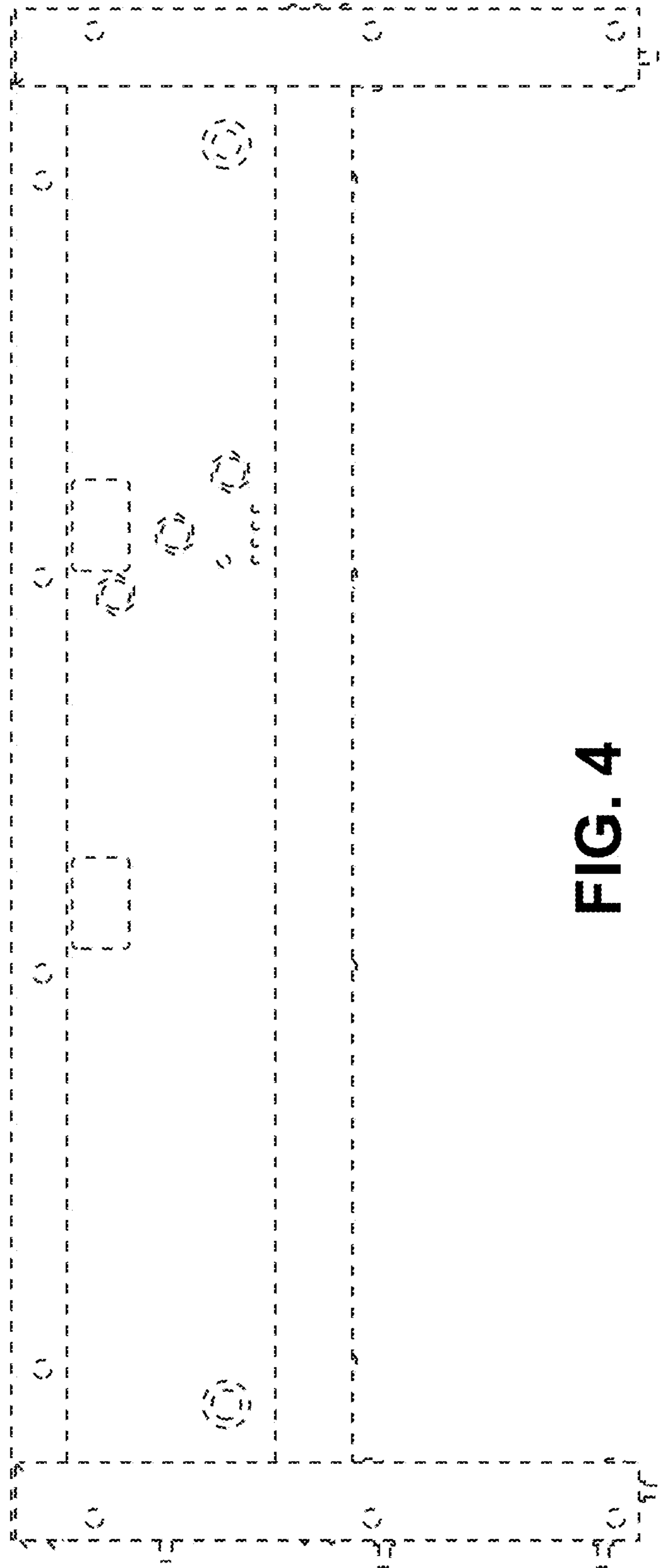


FIG. 4

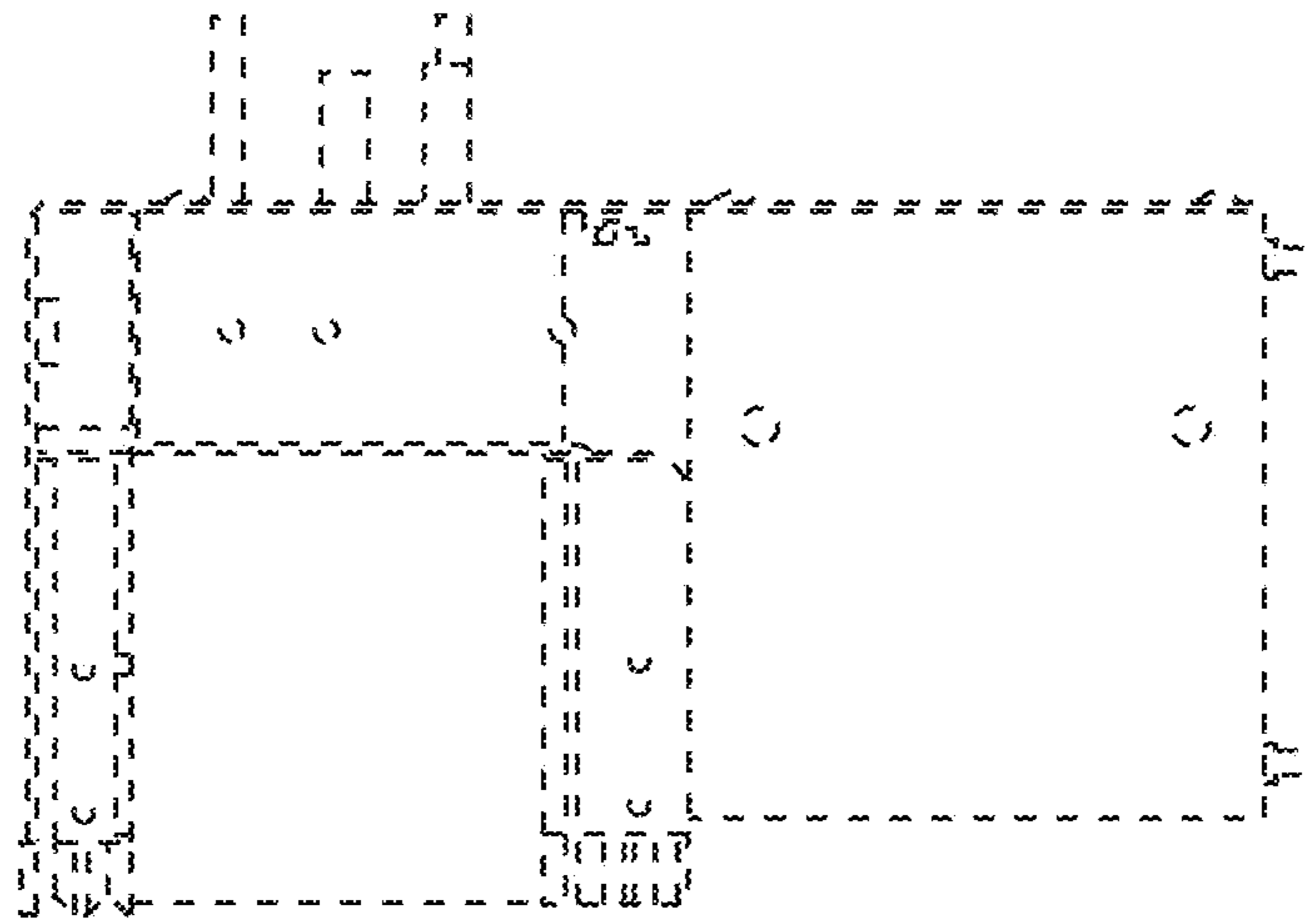


FIG. 6

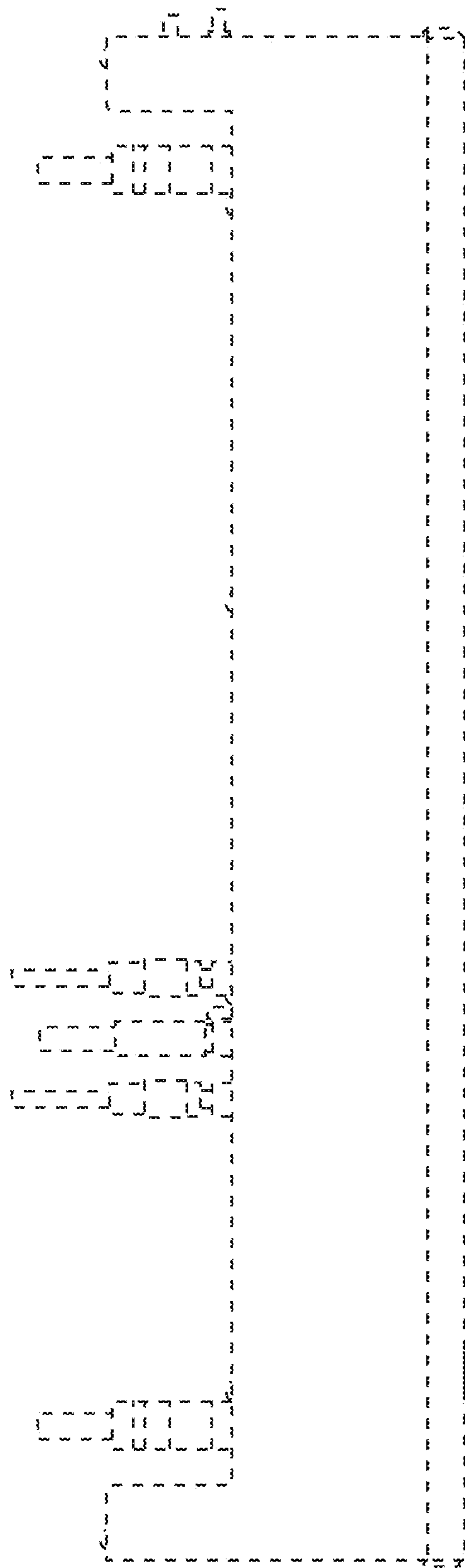


FIG. 7

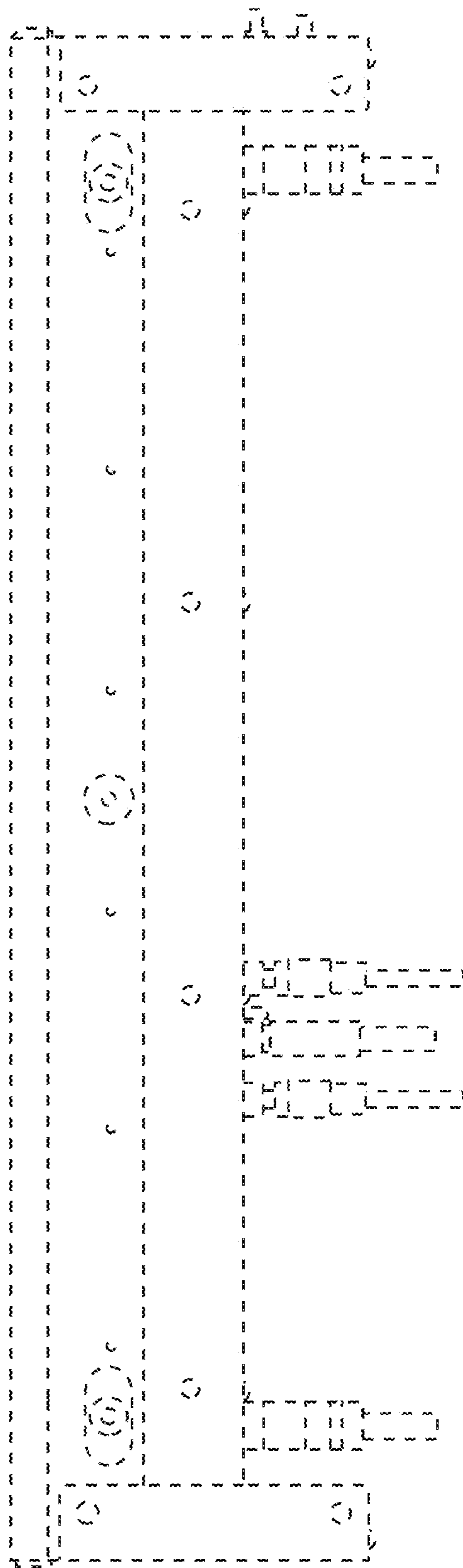


FIG. 8

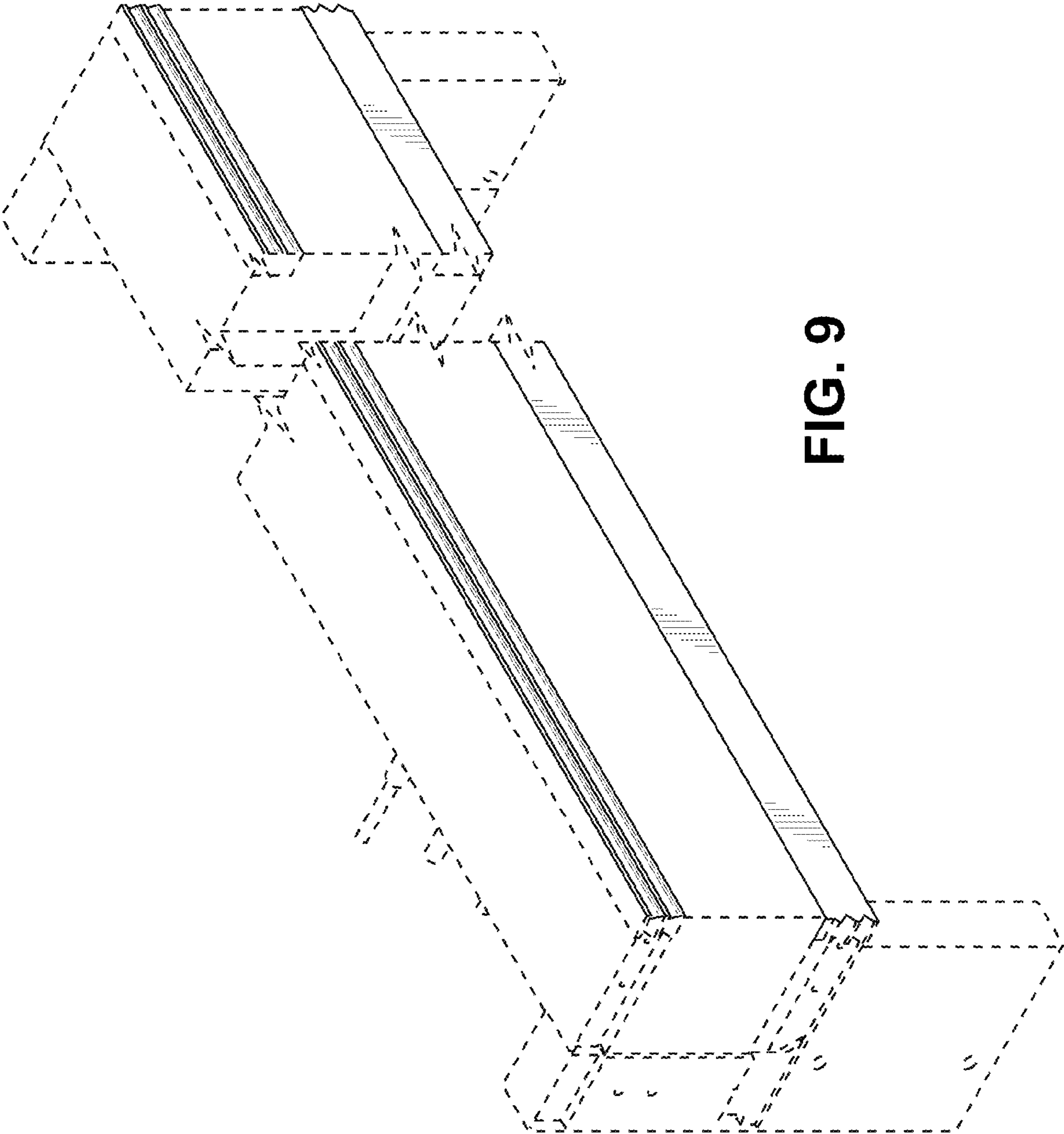


FIG. 9

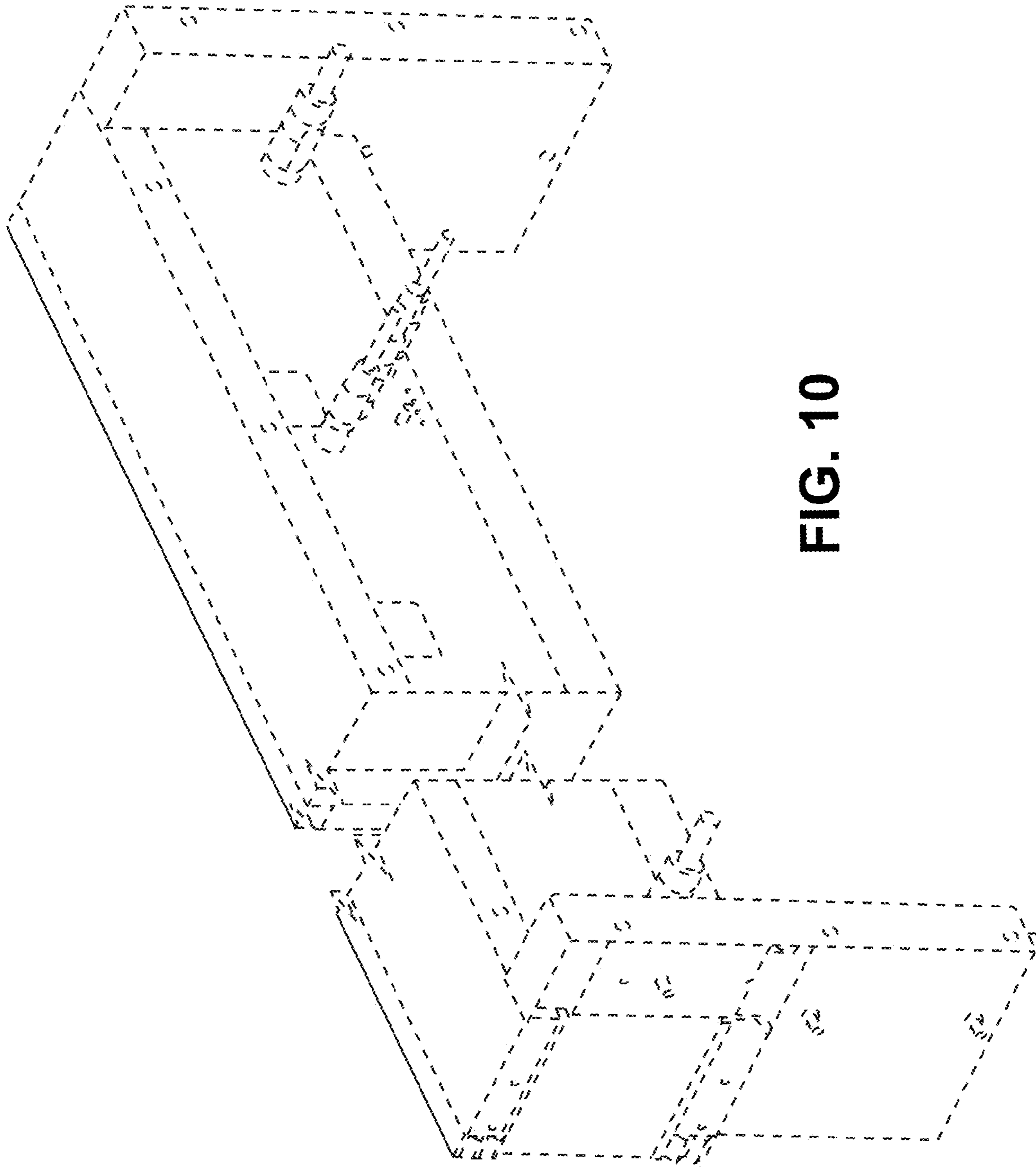


FIG. 10

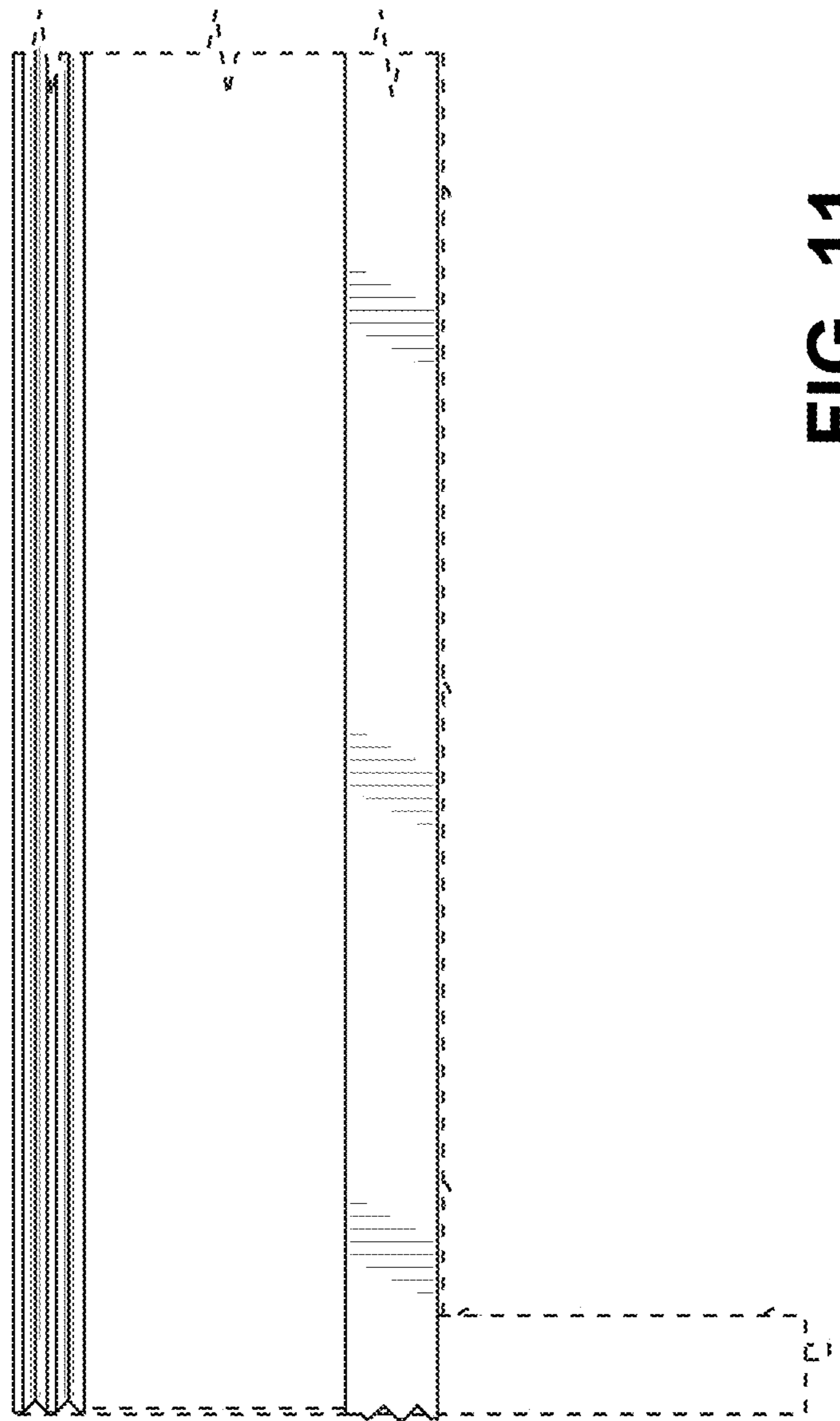
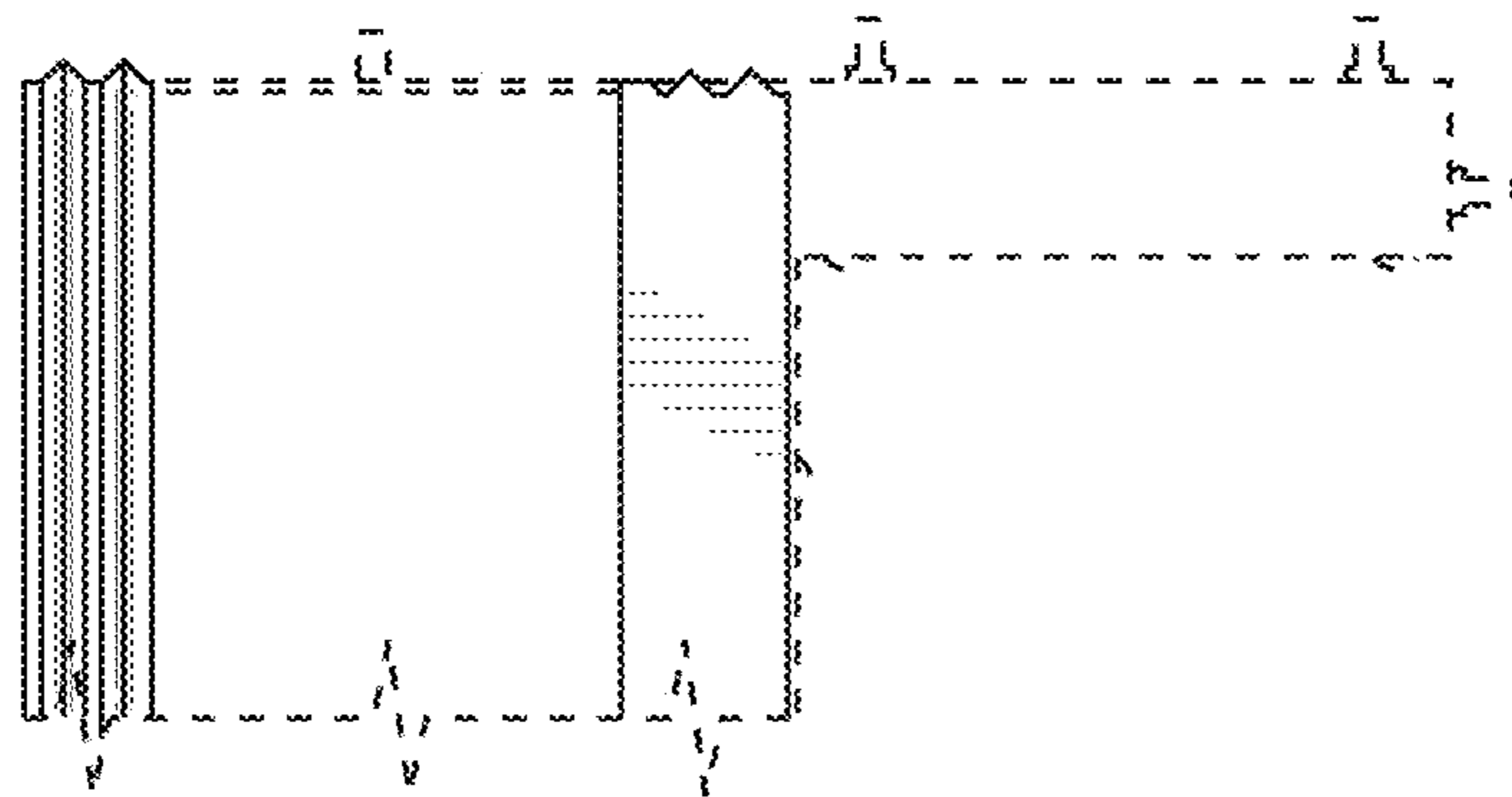


FIG. 11

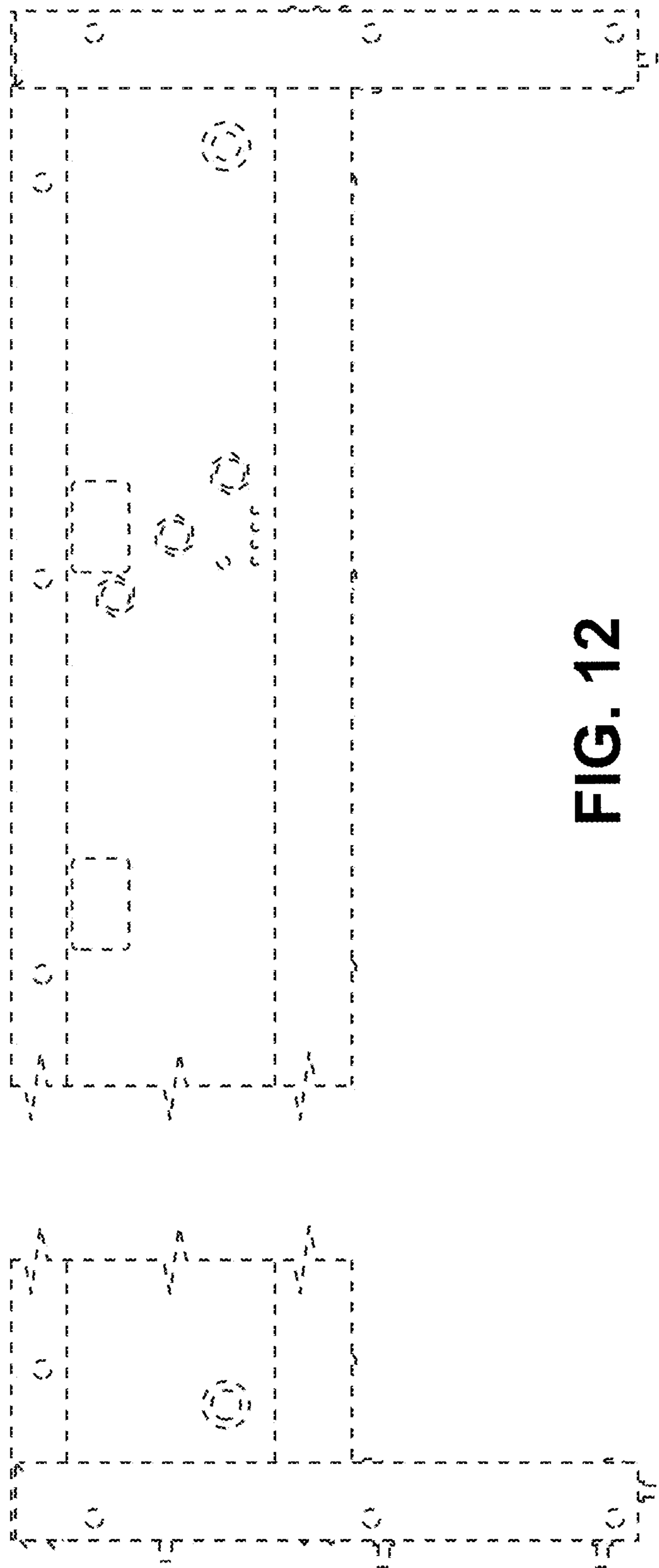


FIG. 12

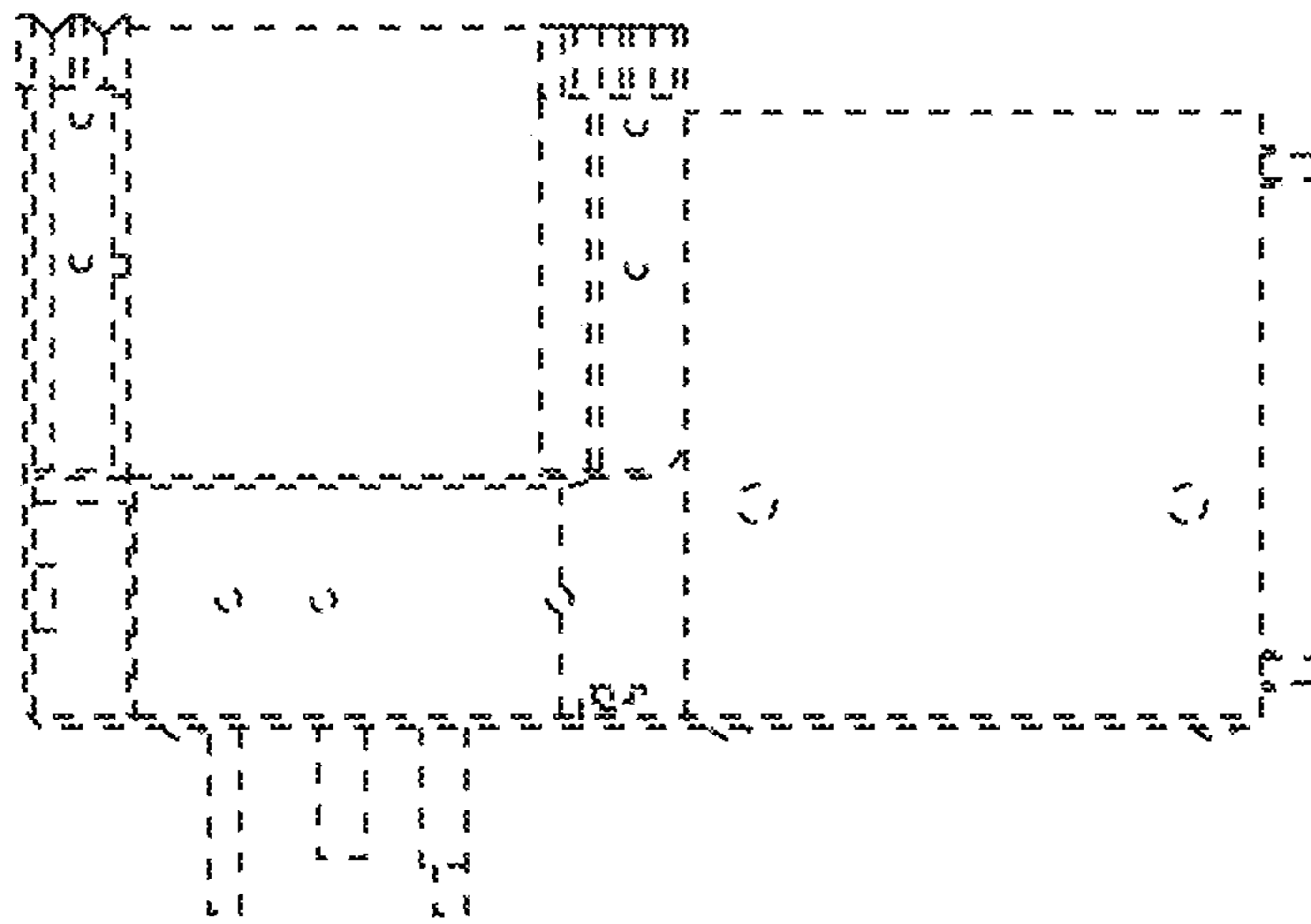


FIG. 13

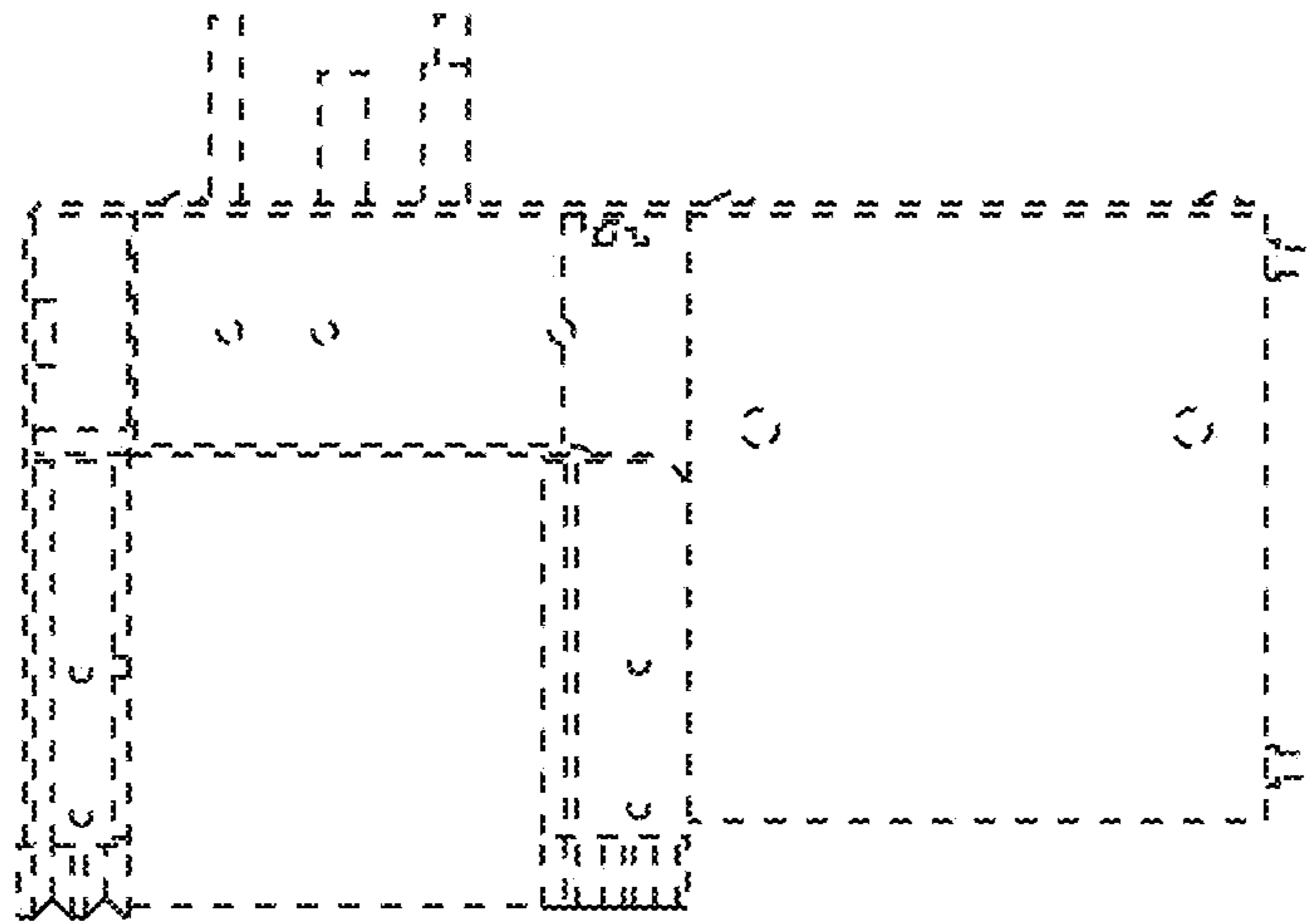


FIG. 14

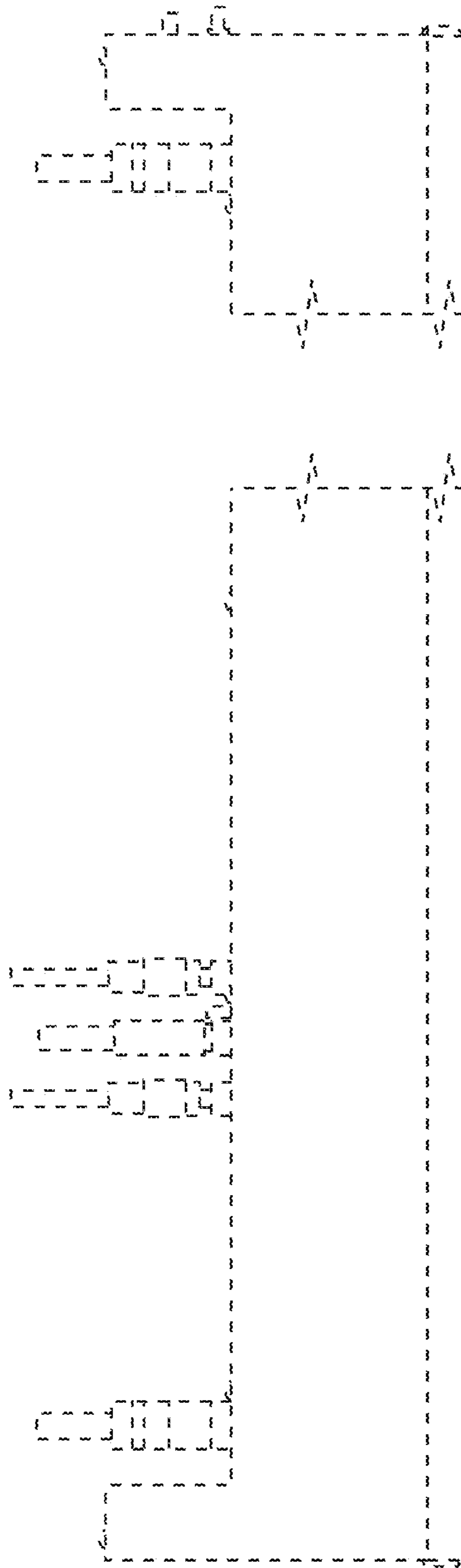


FIG. 15

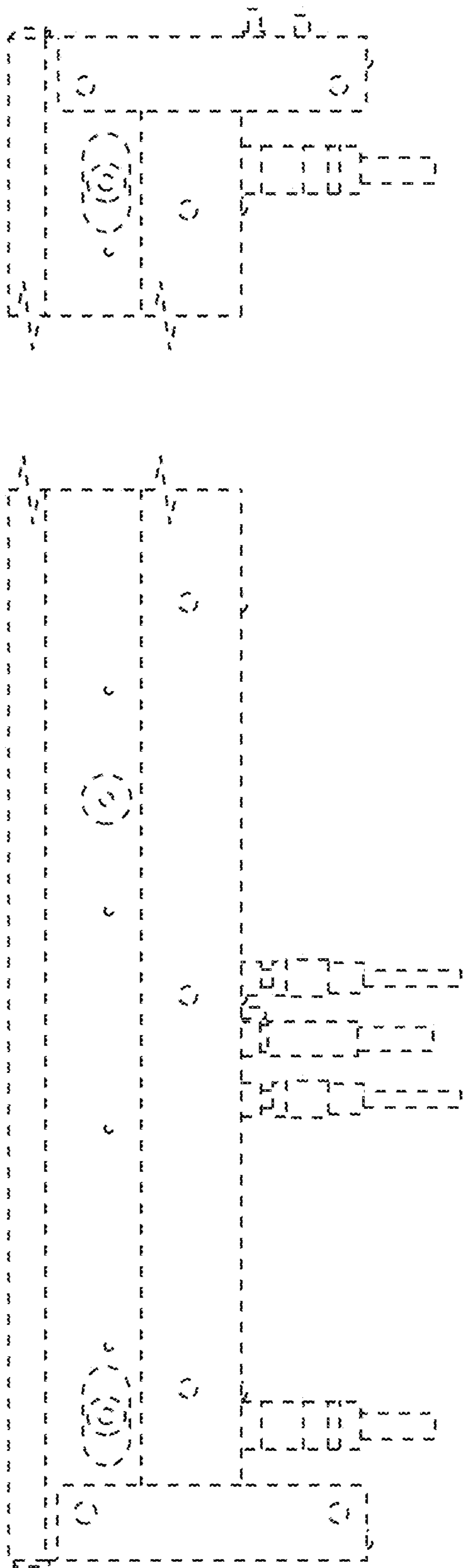


FIG. 16

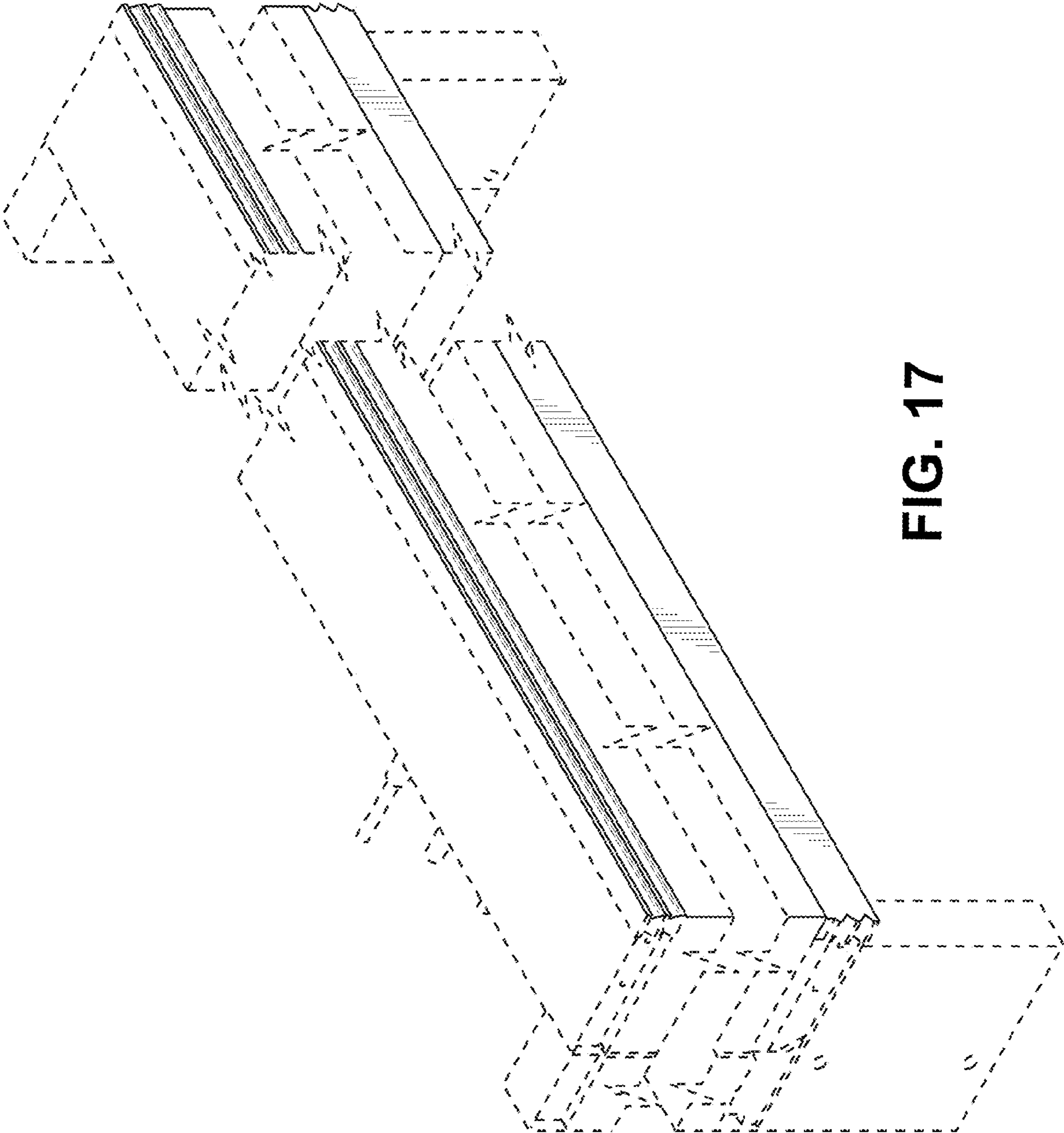


FIG. 17

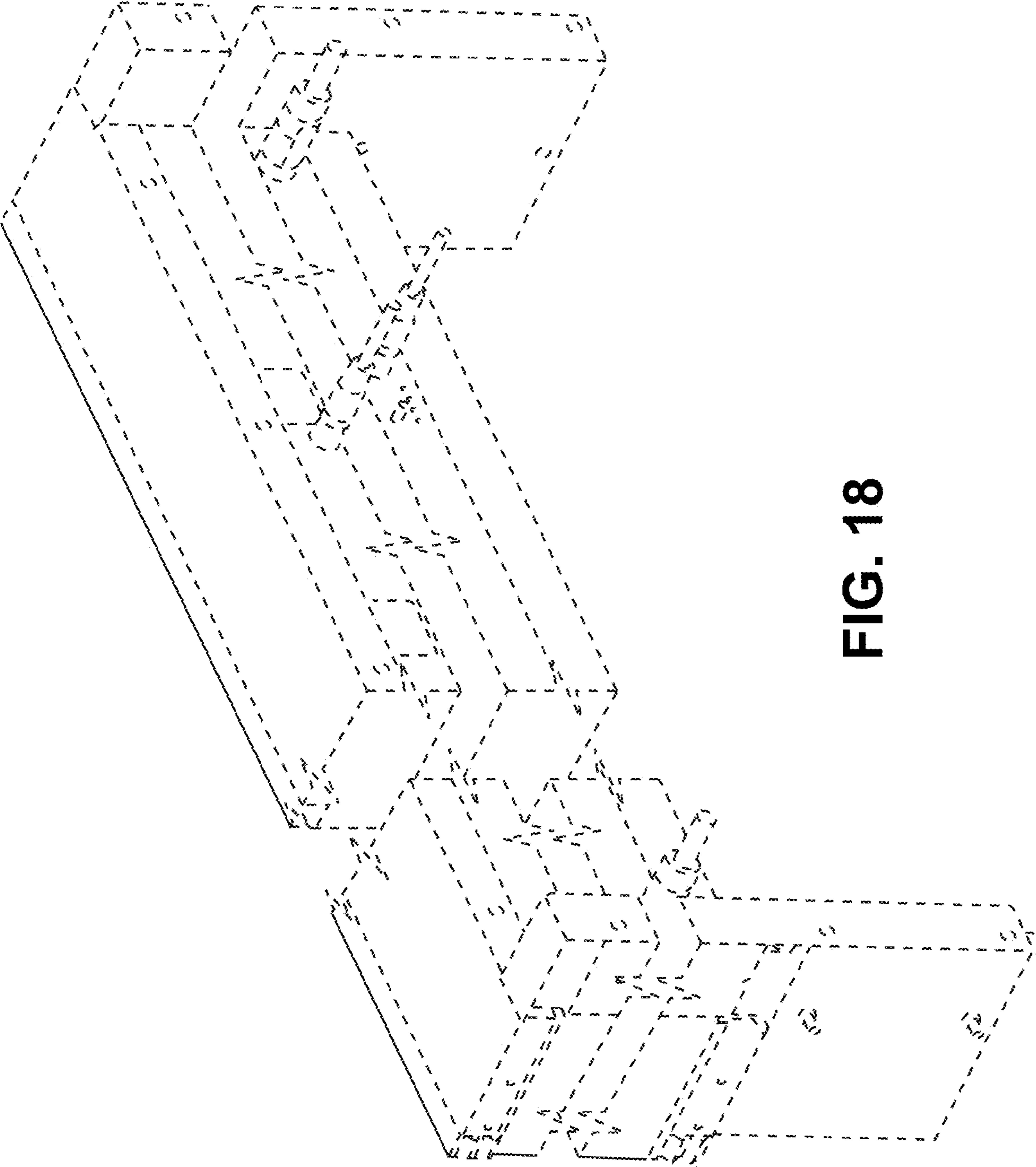


FIG. 18

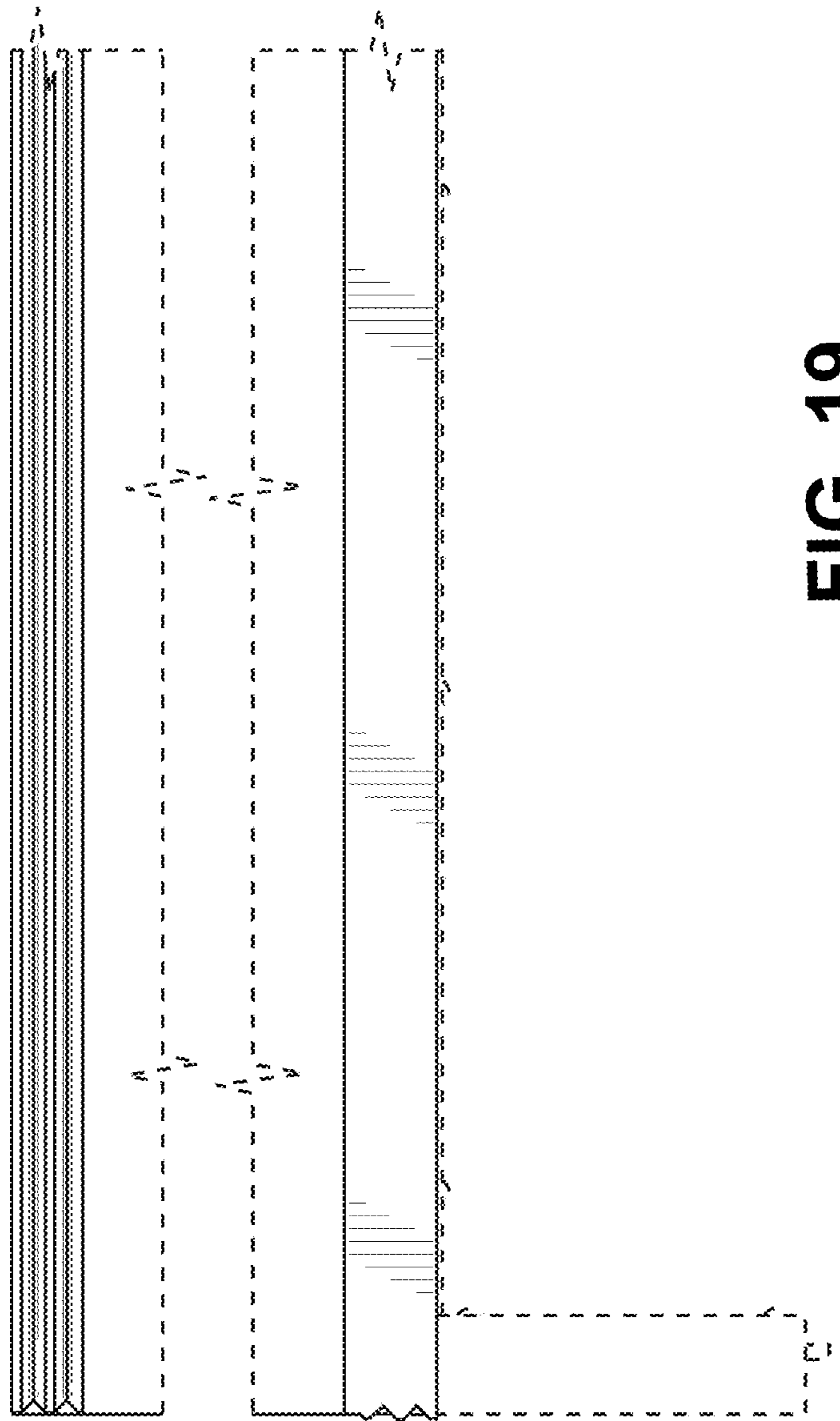
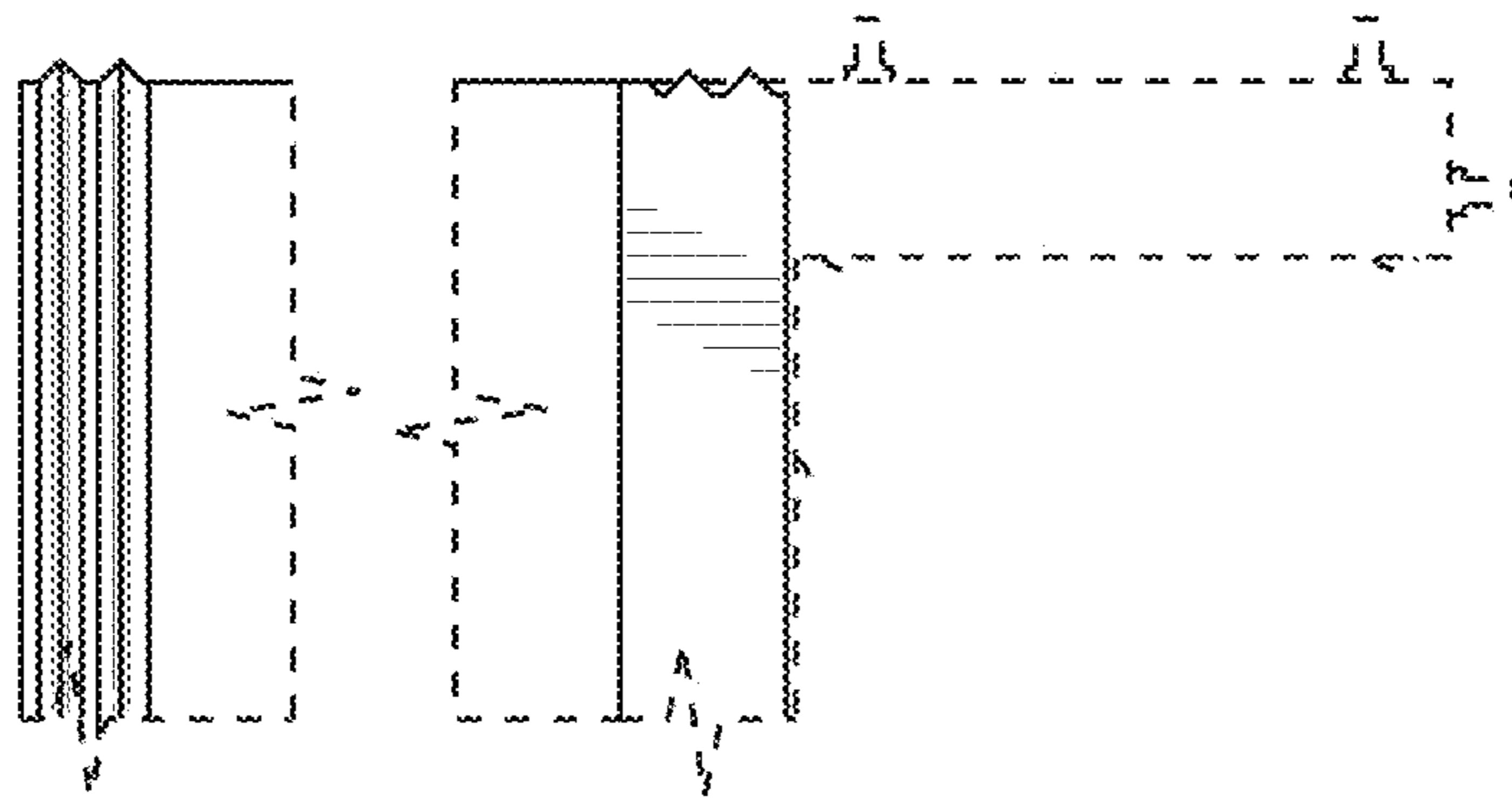


FIG. 19

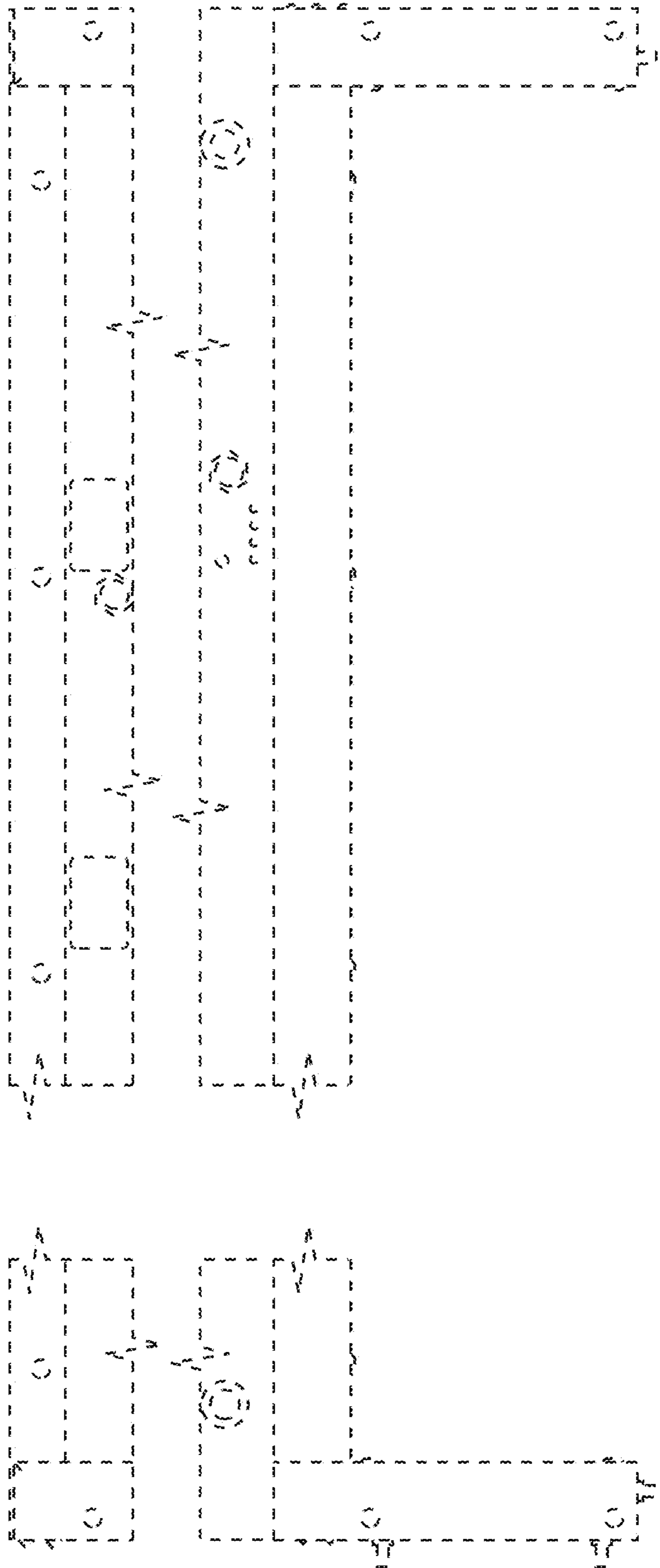


FIG. 20

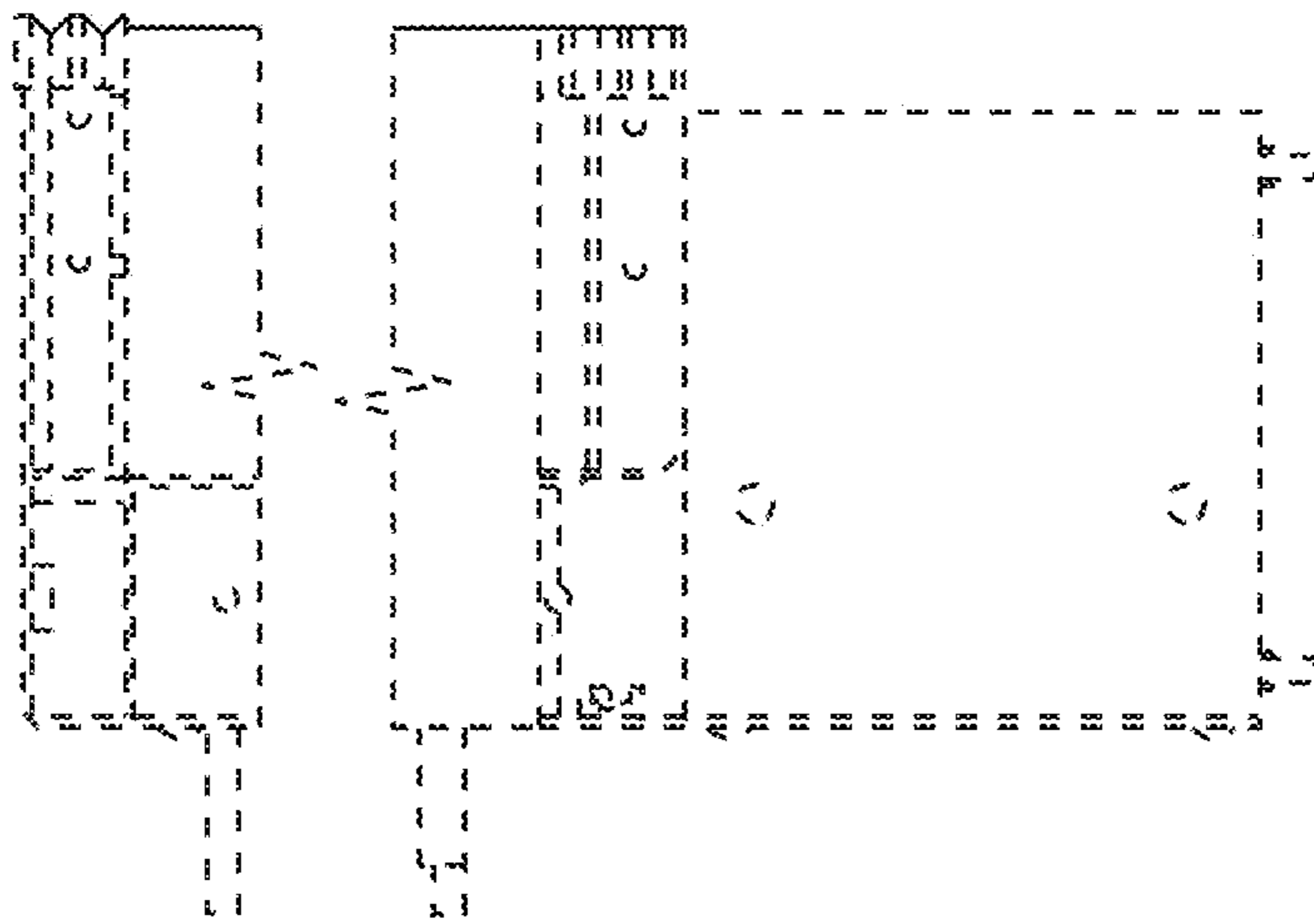


FIG. 21

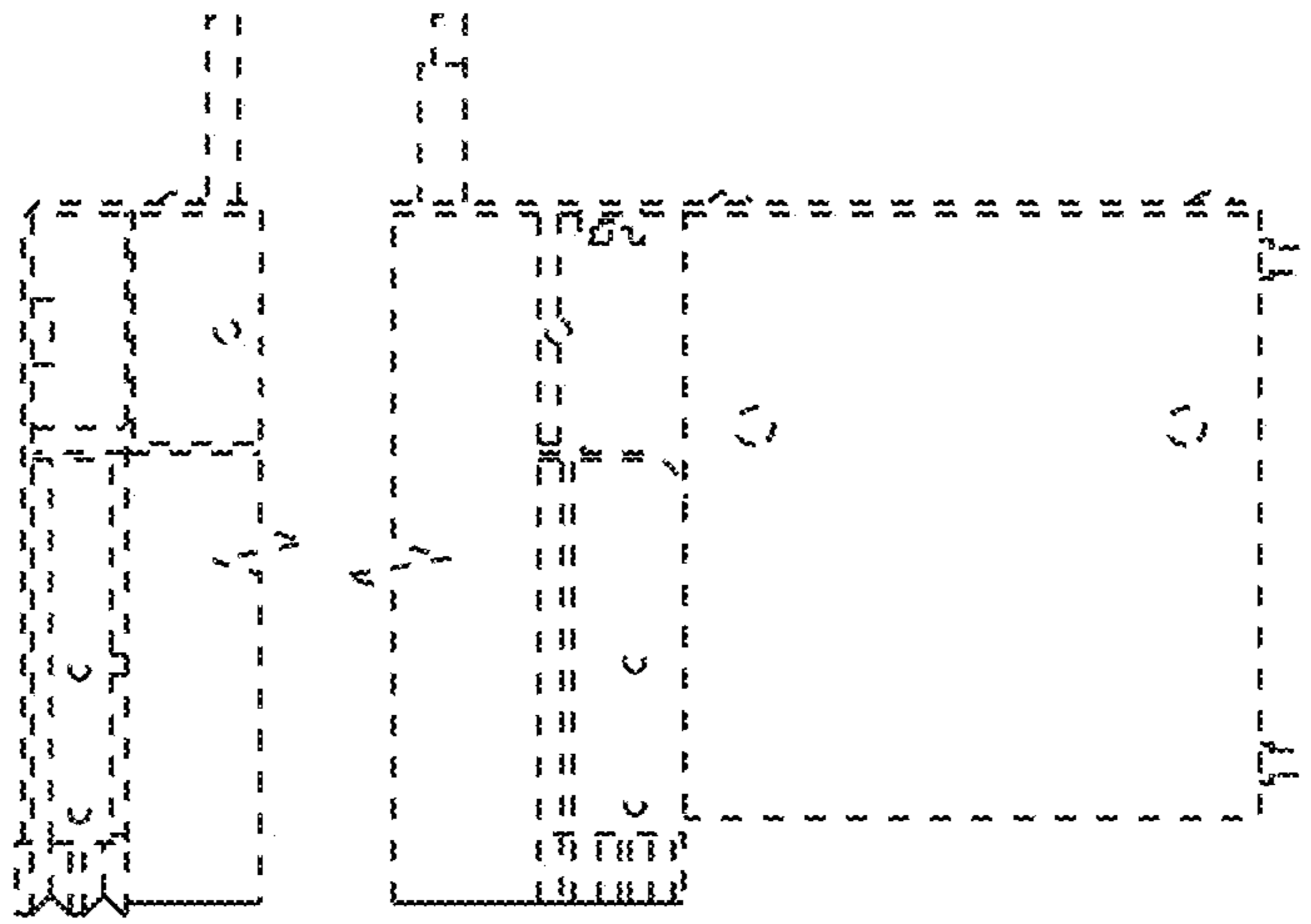


FIG. 22

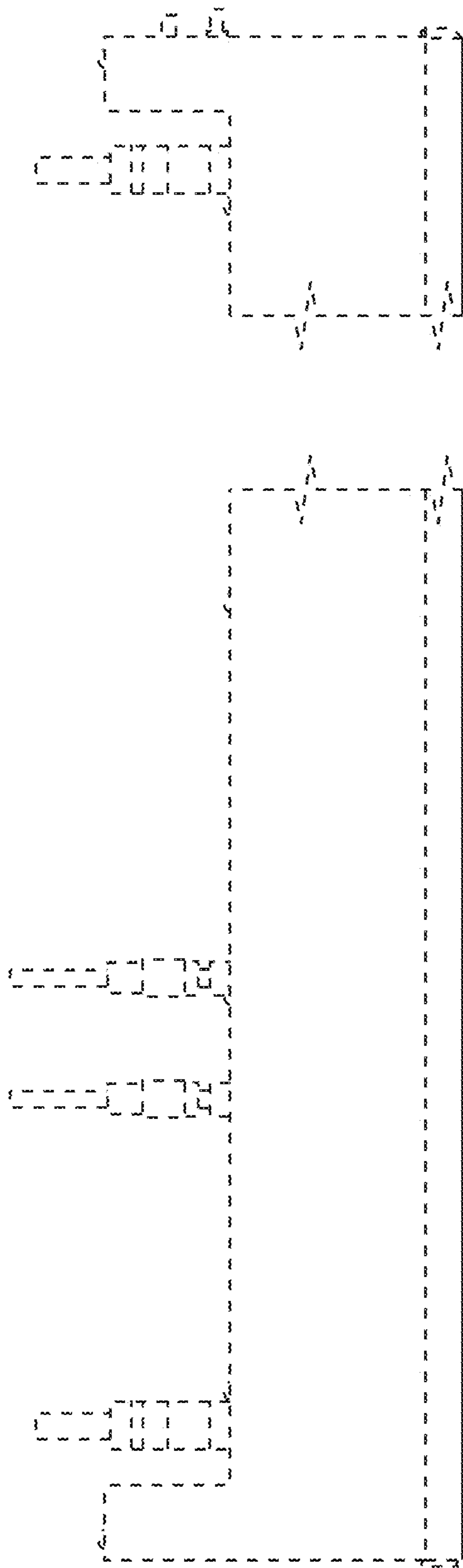


FIG. 23

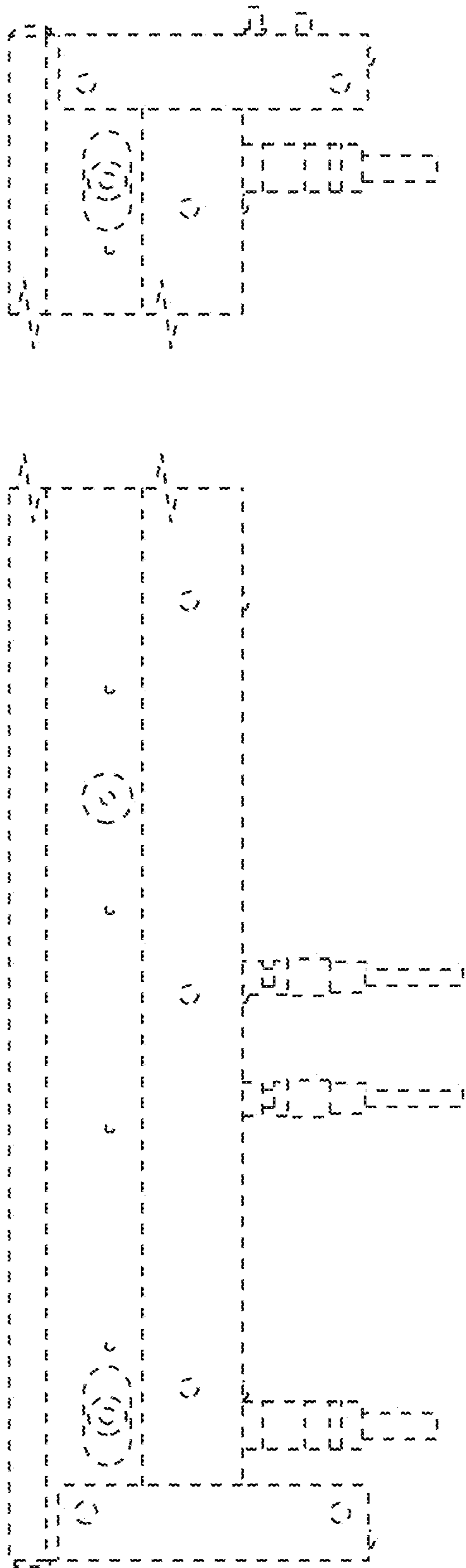


FIG. 24