



US00D895919S

(12) **United States Design Patent** (10) **Patent No.:** **US D895,919 S**
Stravitz et al. (45) **Date of Patent:** **** Sep. 8, 2020**

(54) **CONTAINER WITH A LID**

(71) Applicant: **Dooli Products, LLC**, New York, NY (US)

(72) Inventors: **David M Stravitz**, New York, NY (US); **David Cunningham**, New York, NY (US)

(73) Assignee: **Dooli Products, LLC**, New York, NY (US)

(**) Term: **15 Years**

(21) Appl. No.: **29/723,493**

(22) Filed: **Feb. 7, 2020**

(51) **LOC (12) Cl.** **09-09**

(52) **U.S. Cl.**
USPC **D34/7**

(58) **Field of Classification Search**
USPC D34/1, 7, 8, 9, 10, 11; D32/37, 53, 53.1
(Continued)

(56) **References Cited**

U.S. PATENT DOCUMENTS

1,978,314 A 10/1934 Lancaster
2,426,911 A 9/1947 Williamson
(Continued)

FOREIGN PATENT DOCUMENTS

EP 2801289 A1 11/2014

OTHER PUBLICATIONS

www.purepail.com/collections/all/products/purepail-diaper-pail, google search, obtained Jul. 8, 2020 (Year: 2020).*
(Continued)

(74) *Attorney, Agent, or Firm* — Brian Roffe

(57) **CLAIM**

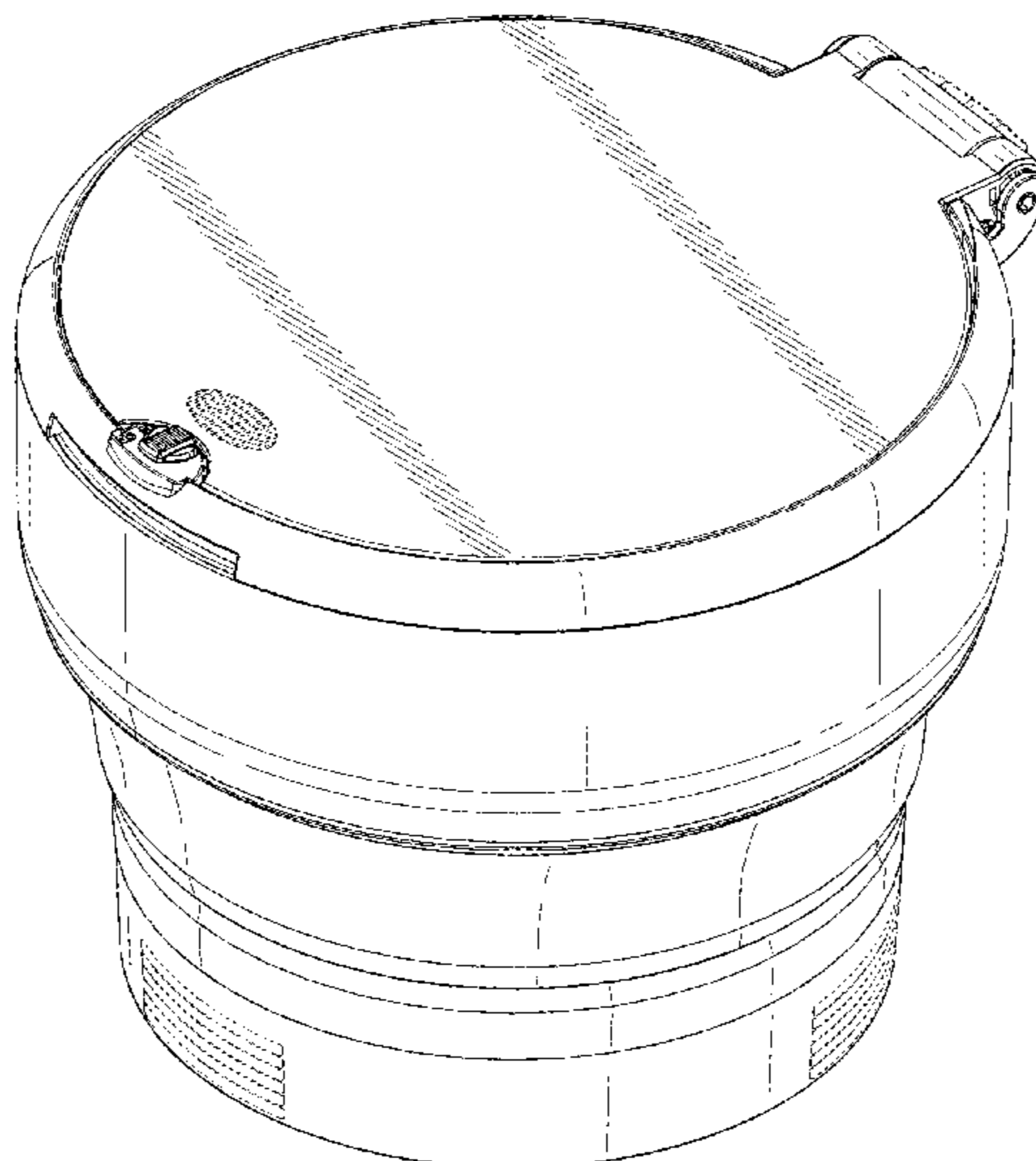
The ornamental design for a container with a lid, as shown and described.

DESCRIPTION

FIG. 1 is a front perspective view of a first embodiment of a container with a lid showing my new design;
FIG. 2 is a top plan view thereof;
FIG. 3 is a bottom plan view thereof;
FIG. 4 is a front elevational view thereof;
FIG. 5 is a rear elevational view thereof;
FIG. 6 is a left elevational view thereof;
FIG. 7 is a right elevational view thereof;
FIG. 8 is a front perspective view of a second embodiment of a container with a lid showing my new design;
FIG. 9 is a top plan view thereof;
FIG. 10 is a bottom plan view thereof;
FIG. 11 is a front elevational view thereof;
FIG. 12 is a rear elevational view thereof;
FIG. 13 is a left elevational view thereof;
FIG. 14 is a right elevational view thereof;
FIG. 15 is a front perspective view of the container with a lid of the embodiment in FIG. 1, in a collapsed state;
FIG. 16 is a top plan view thereof;
FIG. 17 is a bottom plan view thereof;
FIG. 18 is a front elevational view thereof;
FIG. 19 is a rear elevational view thereof;
FIG. 20 is a left elevational view thereof;
FIG. 21 is a right elevational view thereof;
FIG. 22 is a front perspective view of the container with a lid of the embodiment in FIG. 8, in a collapsed state;
FIG. 23 is a top plan view thereof;
FIG. 24 is a bottom plan view thereof;
FIG. 25 is a front elevational view thereof;
FIG. 26 is a rear elevational view thereof;
FIG. 27 is a left elevational view thereof; and,
FIG. 28 is a right elevational view thereof.
The broken lines are to show portions of the container with a lid, which form no part of the claimed design.

Primary Examiner — Cynthia Ramirez

1 Claim, 16 Drawing Sheets



(58) **Field of Classification Search**
 CPC .. B65F 2250/11; B65F 2250/114; B65F 1/06;
 B65F 1/1615; B65F 1/1607; B65F 1/062;
 B65F 1/163; B62B 2202/20; B62B
 2202/028; B62B 2207/02; B65D 15/02;
 F25D 3/08
 See application file for complete search history.

(56) **References Cited**

U.S. PATENT DOCUMENTS

4,483,095	A	11/1984	Webringer	
4,644,610	A	2/1987	Fish	
D313,461	S *	1/1991	Hart	D23/225
5,016,753	A	5/1991	Henderson	
D332,203	S	1/1993	Fernandez-Guthrie	
D333,893	S *	3/1993	Washburn	D34/1
5,205,530	A	4/1993	Fish	
5,226,551	A	7/1993	Robbins, III	
5,439,128	A	8/1995	Fishman	
5,573,129	A	11/1996	Nagata et al.	
5,575,398	A	11/1996	Robbins, III	
5,695,088	A	12/1997	Kasbohm	
5,909,820	A	6/1999	Yeh	
5,987,708	A	11/1999	Newton	
6,364,146	B1	4/2002	Beckerer, Jr.	
6,484,897	B1	11/2002	Crawley	
6,612,099	B2	9/2003	Stravitz	
6,666,329	B1	12/2003	Charbonneau	
6,804,930	B2	10/2004	Stravitz	
6,851,251	B2	2/2005	Stravitz	
7,114,314	B2	10/2006	Stravitz	
7,146,785	B2	12/2006	Stravitz	
7,243,811	B1	7/2007	Ramsey	
7,316,100	B2	1/2008	Stravitz et al.	
D567,466	S *	4/2008	Lee	D34/7
7,434,377	B2	10/2008	Stravitz et al.	
7,494,022	B2	2/2009	Buchalter et al.	
D588,320	S *	3/2009	Daams	D34/7
7,503,152	B2	3/2009	Stravitz et al.	
7,503,159	B2	3/2009	Stravitz et al.	
7,617,659	B2	11/2009	Stravitz et al.	
7,694,838	B2	4/2010	Yang et al.	
7,708,188	B2	5/2010	Stravitz et al.	
7,712,285	B2	5/2010	Stravitz et al.	
D620,666	S *	7/2010	Colondona	D34/7
7,641,835	B2	11/2010	Ramsey et al.	
7,963,414	B1	6/2011	Stravitz	
8,061,546	B2	11/2011	Ramsey	
D652,189	S *	1/2012	Morand	D34/7
8,127,519	B2	3/2012	Stravitz	
8,215,089	B2	7/2012	Stravitz	
8,235,237	B1	8/2012	Stravitz	
8,266,871	B1	9/2012	Stravitz	
8,393,489	B1	3/2013	Stravitz	
D695,541	S *	12/2013	Dunn	B65H 5/28 D6/515
8,844,751	B2	9/2014	Sakaguchi et al.	
8,887,942	B2	11/2014	Miksovsky et al.	
D719,313	S *	12/2014	Kao	D34/7
8,910,821	B1	12/2014	Stravitz	
8,973,774	B1	3/2015	Stravitz	
D733,987	S *	7/2015	Coffin	D34/9
D737,014	S *	8/2015	Wall	D34/9
D747,060	S *	1/2016	Valderrama	D34/7
D747,061	S *	1/2016	Valderrama	D34/7
D754,413	S *	4/2016	Wall	D34/8
D766,536	S *	9/2016	Karatas	D34/7
D774,269	S *	12/2016	Spadotto	D34/8
D780,395	S *	2/2017	Stravitz	D34/7
D781,519	S *	3/2017	Spadotto	D34/9
D785,887	S *	5/2017	Bechtold, Jr.	D32/53
D791,615	S *	7/2017	Stravitz	D9/729
9,802,755	B2 *	10/2017	Chakravarthy	B65F 1/062
9,828,721	B2	11/2017	Silverman et al.	
9,950,853	B2	4/2018	Irwin-Kieling et al.	
10,053,283	B1	8/2018	Stravitz	

D829,401	S *	9/2018	Parker	D34/10
10,081,481	B2	9/2018	Fernandez de Castro	
D831,291	S *	10/2018	Chenvainu	D34/10
10,099,855	B1	10/2018	Higgins, II	
10,273,070	B2	4/2019	Perkins et al.	
D851,349	S *	6/2019	Beumer	D34/9
D872,958	S *	1/2020	Chen	D34/7
D879,400	S *	3/2020	Chen	D34/9
10,611,564	B1 *	4/2020	Stravitz	B65F 1/10
D889,760	S *	7/2020	Chung	D34/7
2003/0085227	A1	5/2003	Azzarello	
2004/0206760	A1 *	10/2004	Gagnebin	B65F 1/08 220/495.04
2005/0056649	A1	3/2005	Simonson et al.	
2005/0127074	A1	6/2005	Kusuma et al.	
2007/0289772	A1	12/2007	Kuroda et al.	
2008/0000912	A1	1/2008	Lin	
2008/0264948	A1	10/2008	Kovacevich et al.	
2009/0046955	A1	2/2009	Schember et al.	
2009/0230135	A1	9/2009	Ghitza	
2010/0005762	A1	1/2010	Stravitz	
2010/0140423	A1	6/2010	Davies et al.	
2010/0176126	A1	7/2010	Shikano	
2011/0099944	A1 *	5/2011	Dunn	B65F 1/06 53/211
2011/0100996	A1	5/2011	Dunn et al.	
2011/0100997	A1 *	5/2011	Gagnebin	B65F 1/08 220/495.04
2011/0155755	A1 *	6/2011	Lin	B65F 1/1615 220/830
2011/0170807	A1	7/2011	Khubani	
2011/0272419	A1	11/2011	Vanderberg et al.	
2012/0000911	A1 *	1/2012	Wang	B65F 1/1638 220/495.11
2012/0211494	A1	8/2012	Morand	
2013/0075406	A1	3/2013	Sakaguchi et al.	
2013/0181000	A1	7/2013	Miksovsky et al.	
2013/0264340	A1	10/2013	Zens	
2013/0277364	A1	10/2013	Kusuma et al.	
2014/0042168	A1	2/2014	Dunn et al.	
2014/0326730	A1 *	11/2014	Morand	B65F 1/06 220/495.06
2015/0041478	A1	2/2015	Abrams et al.	
2015/0217900	A1	8/2015	Poulin	
2015/0251795	A1	9/2015	Tsui	
2015/0251808	A1	9/2015	Tsui	
2015/0251809	A1	9/2015	Jasin	
2015/0253055	A1	9/2015	Tsui	
2015/0291309	A1	10/2015	McGregor	
2016/0059990	A1	3/2016	Patikas-Bryant	
2016/0167872	A1	6/2016	Dunn et al.	
2016/0347503	A1	12/2016	Tsui	
2018/0065778	A1	3/2018	Johnson	
2019/0075973	A1	3/2019	Charleson et al.	
2019/0085503	A1	3/2019	Tsui	
2019/0119000	A1	4/2019	Tsui	

OTHER PUBLICATIONS

Parameter folding trash can, downloaded on Dec. 14, 2018.
 Search results from Alibaba.com performed using search term “TPR collapsing 10L” on Mar. 22, 2019.
 Search results from Alibaba.com, Products, performed using search term “TPR collapsing laundry basket” on Mar. 22, 2019.
 Search results from Alibaba.com, Suppliers, performed using search term “TPR collapsing laundry basket” on Mar. 22, 2019.
 Description of New Design Custom Eco-friendly Fda Approval Collapsible Baby Food Storage Container With Lid from alibaba.com printed on Mar. 28, 2019.
 Description of Hot-selling Wholesale Microwave Safe Silicone Lunch Box/collapsible Silicone Food Container from alibaba.com printed on Mar. 28, 2019.
 Search results from Alibaba.com, Products, performed using search term “collapsible buckets TPR” on Mar. 28, 2019.
 Search report for International Application PCT/US2019/019385 dated Apr. 26, 2019.

(56)

References Cited

OTHER PUBLICATIONS

Written opinion for International Application PCT/US2019/019385
dated Apr. 26, 2019.

* cited by examiner

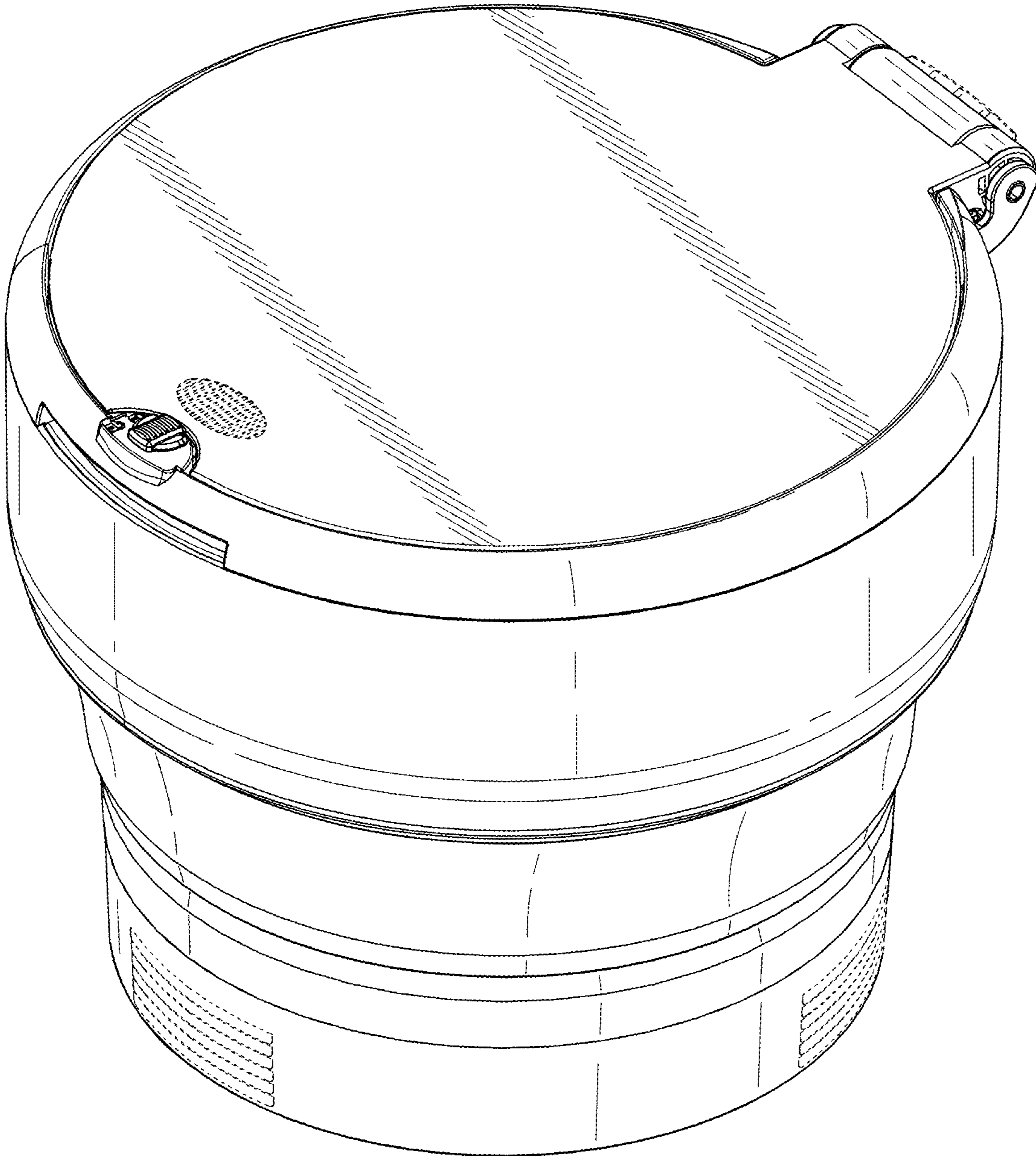


FIG. 1

FIG. 2

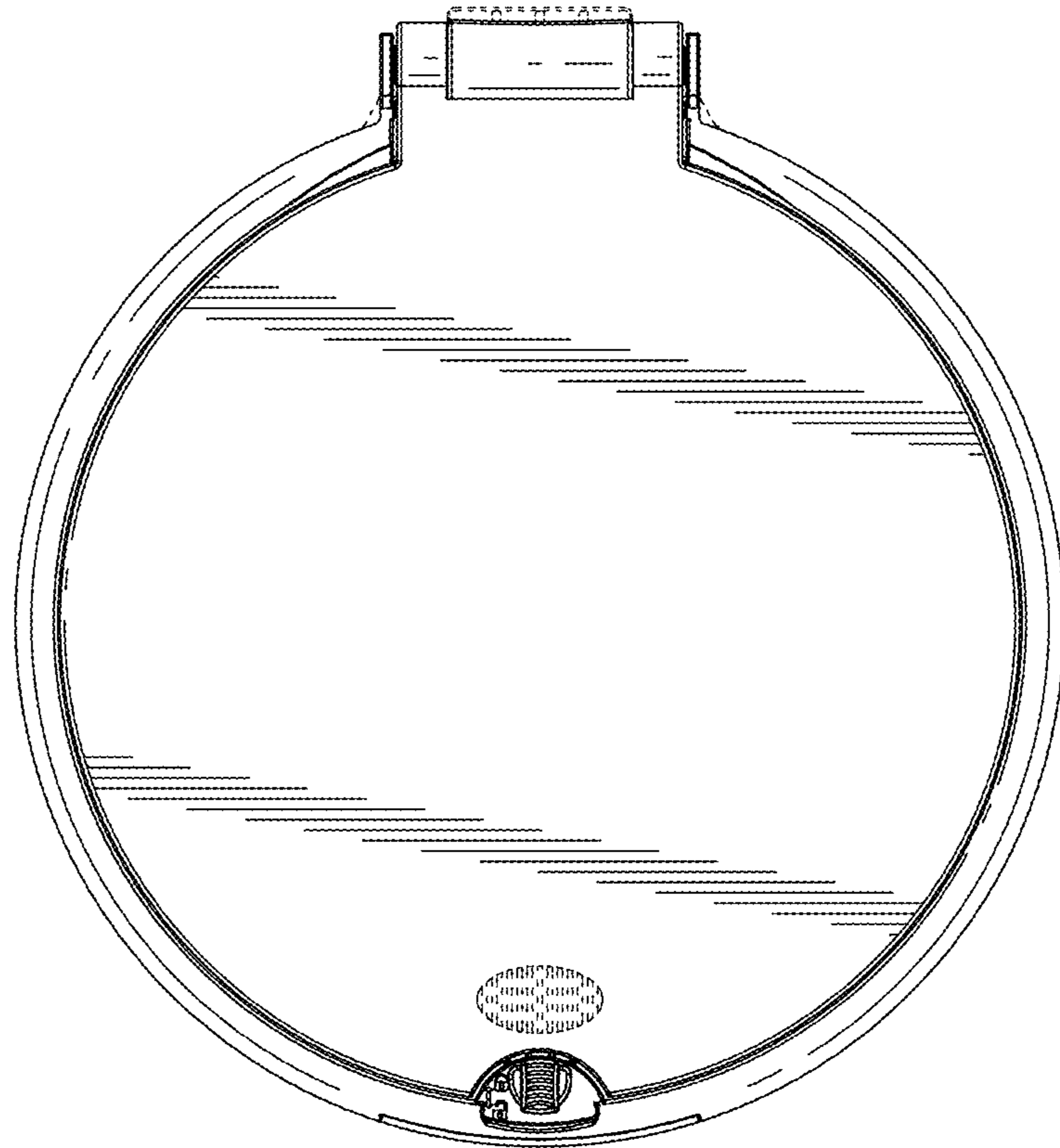
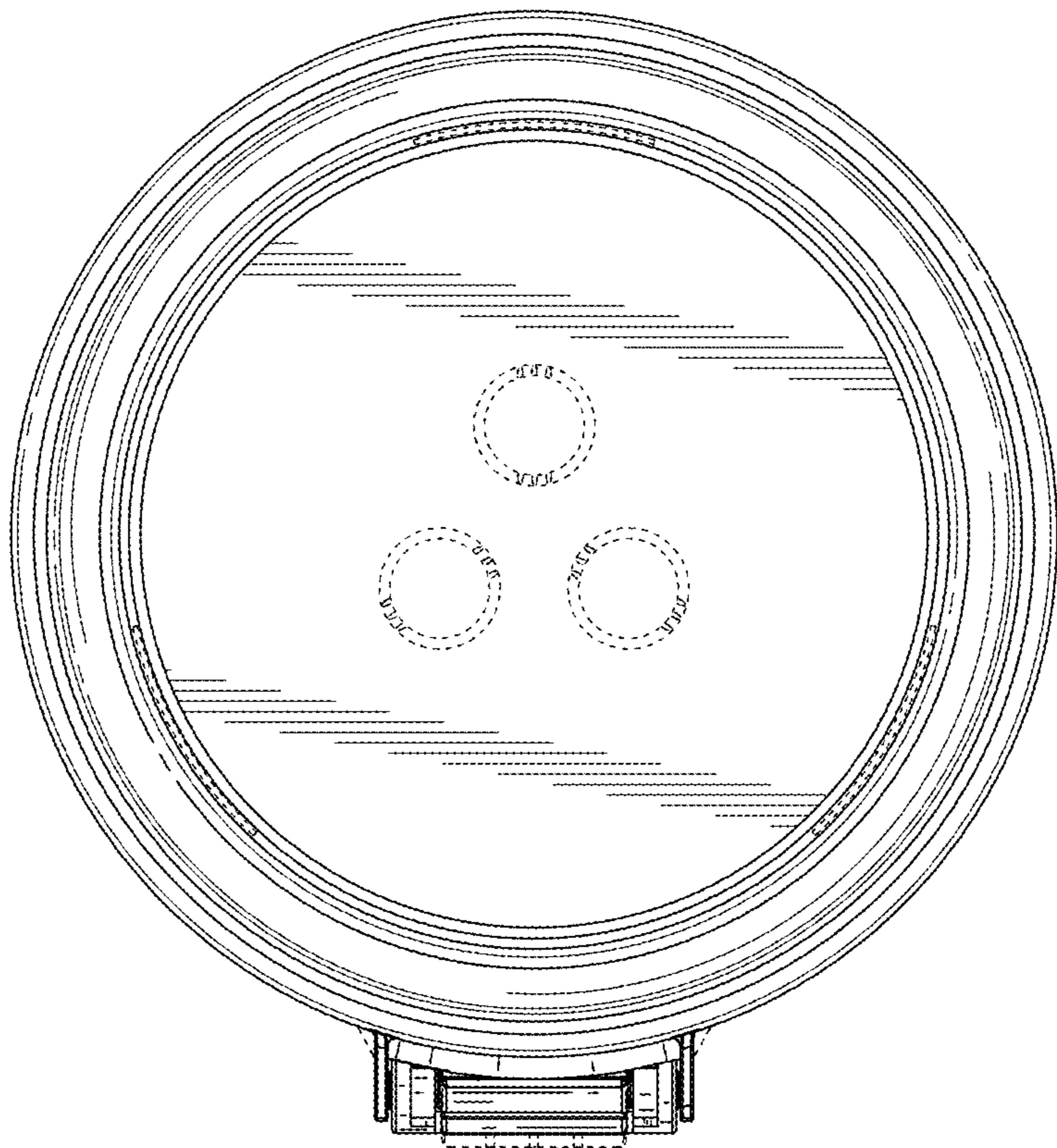


FIG. 3



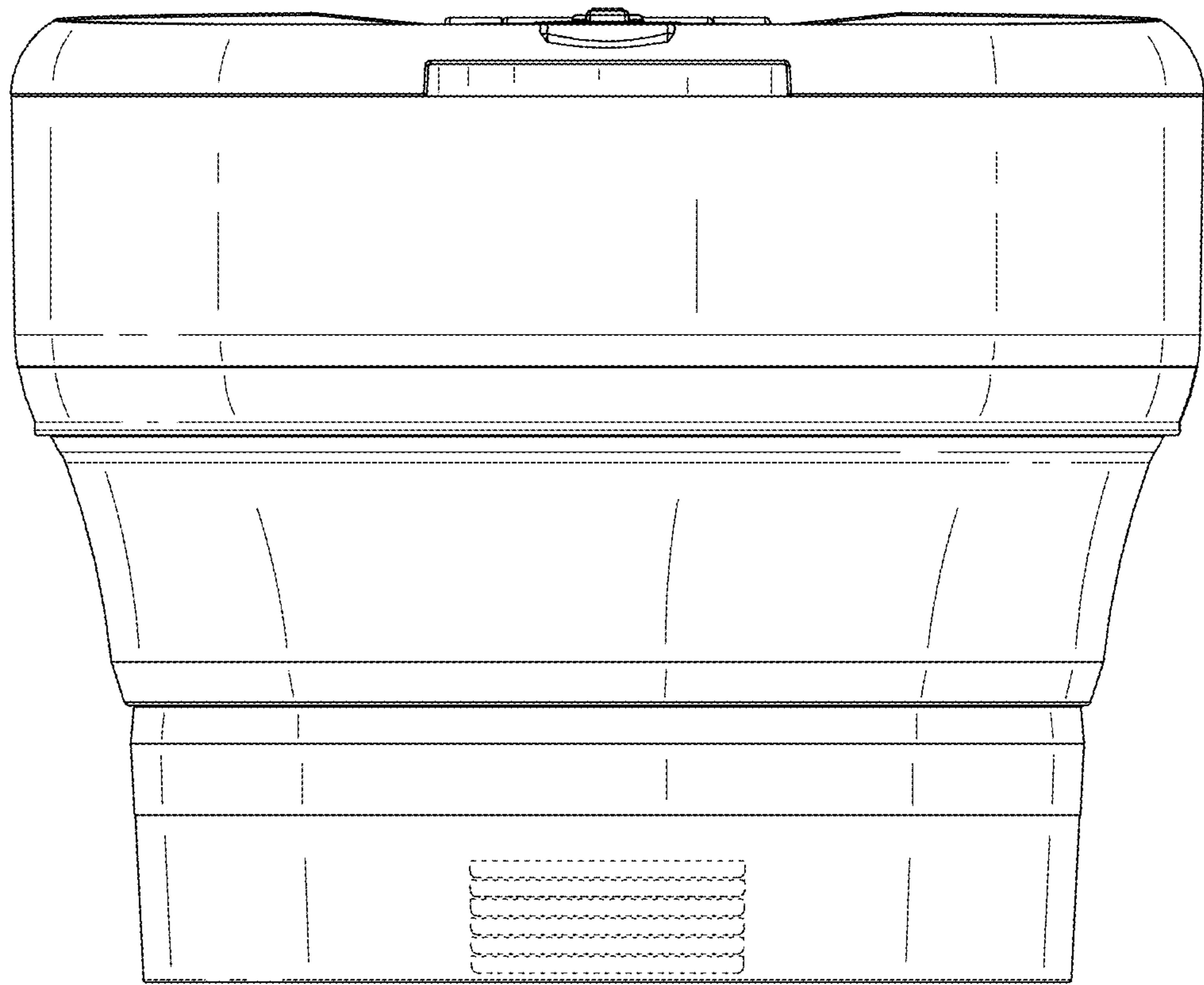


FIG. 4

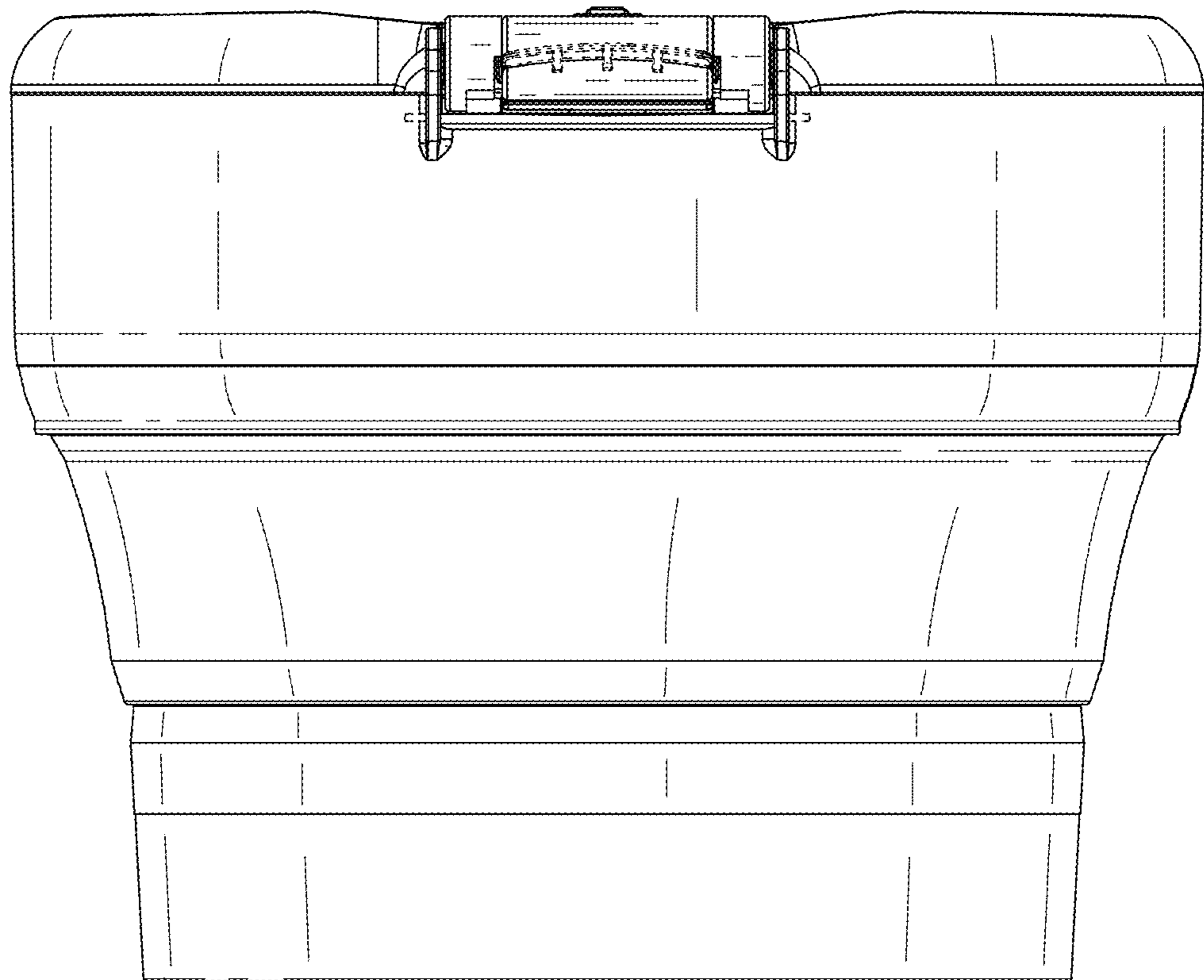


FIG. 5

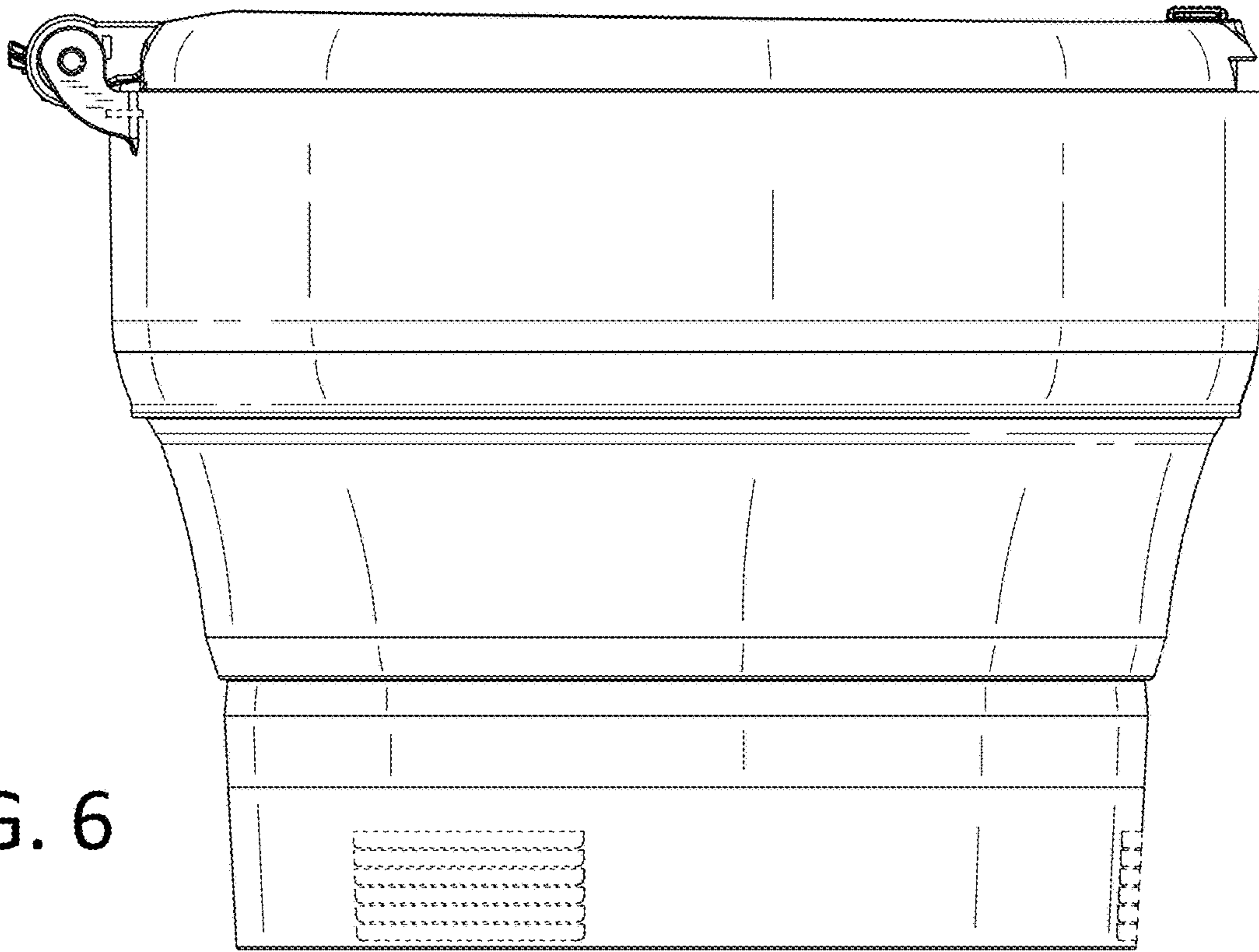


FIG. 6

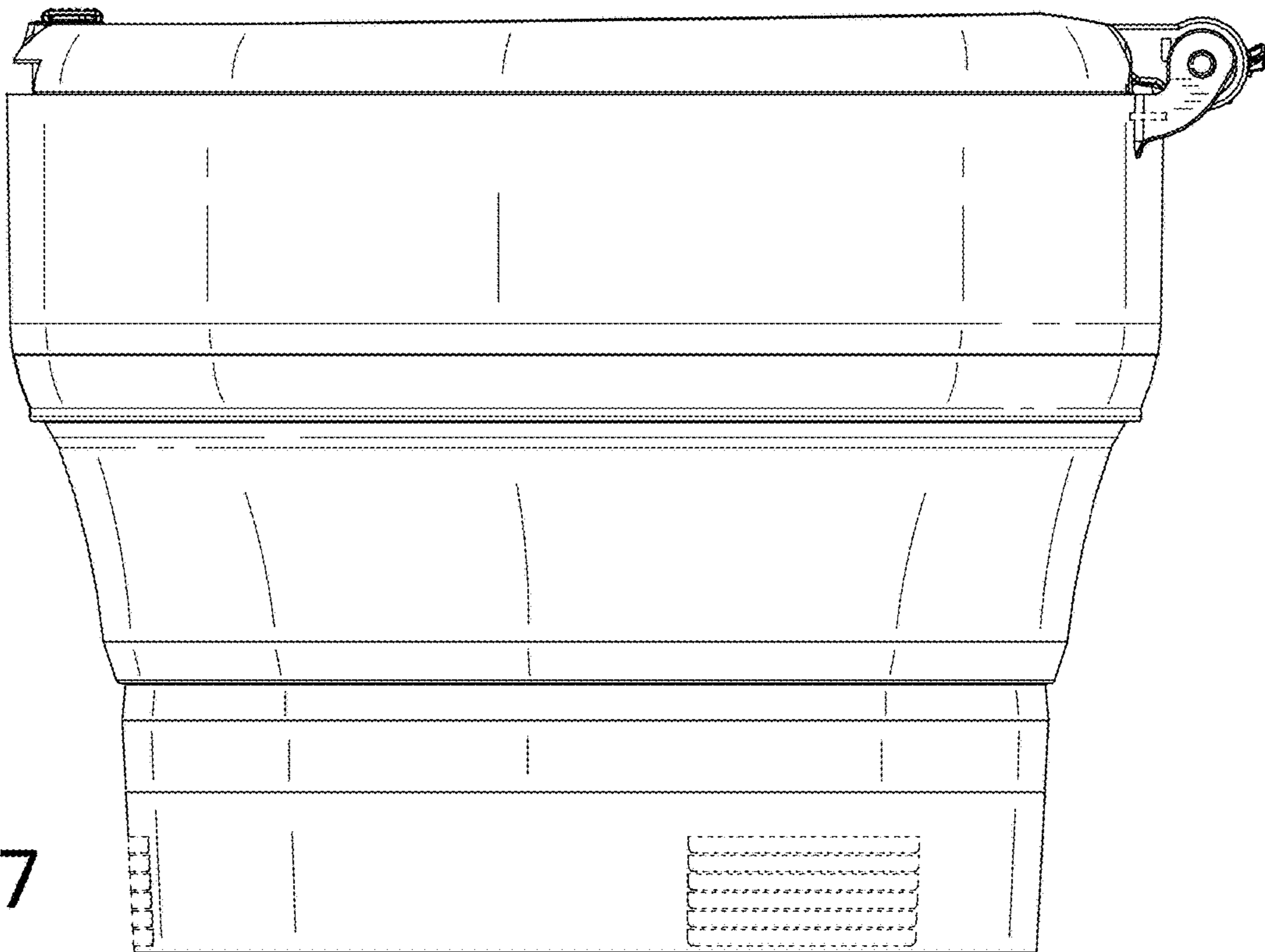


FIG. 7

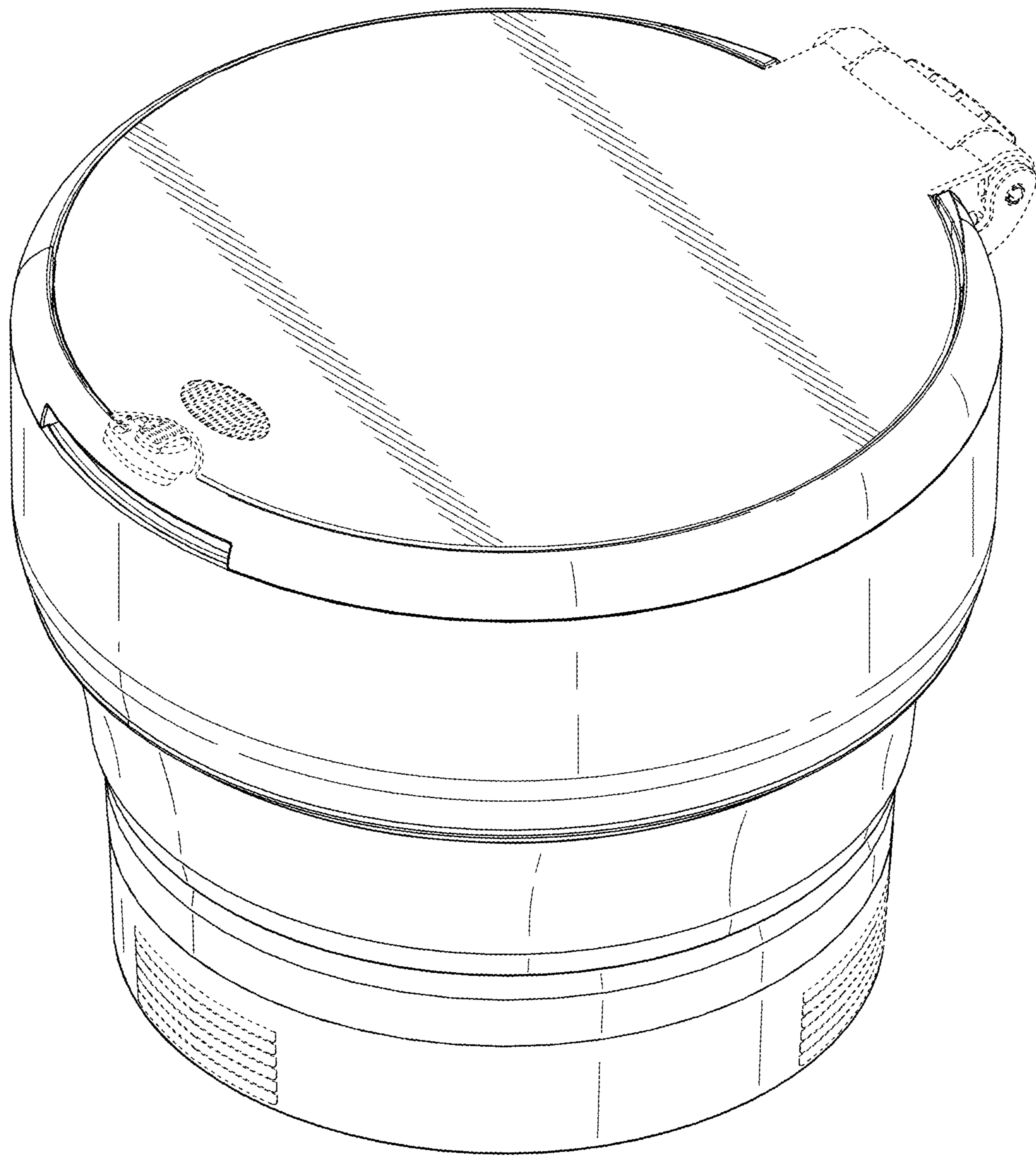


FIG. 8

FIG. 9

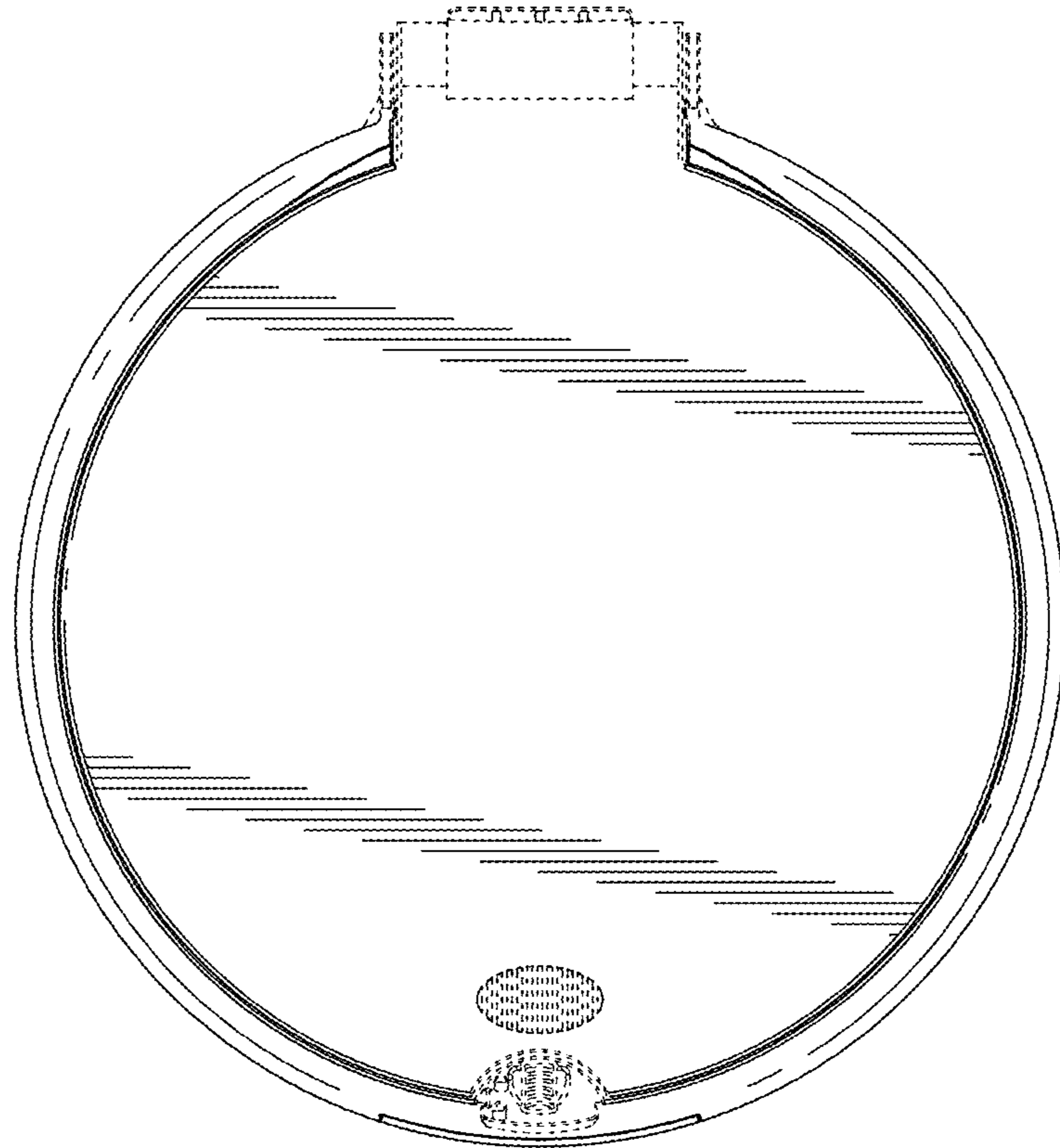
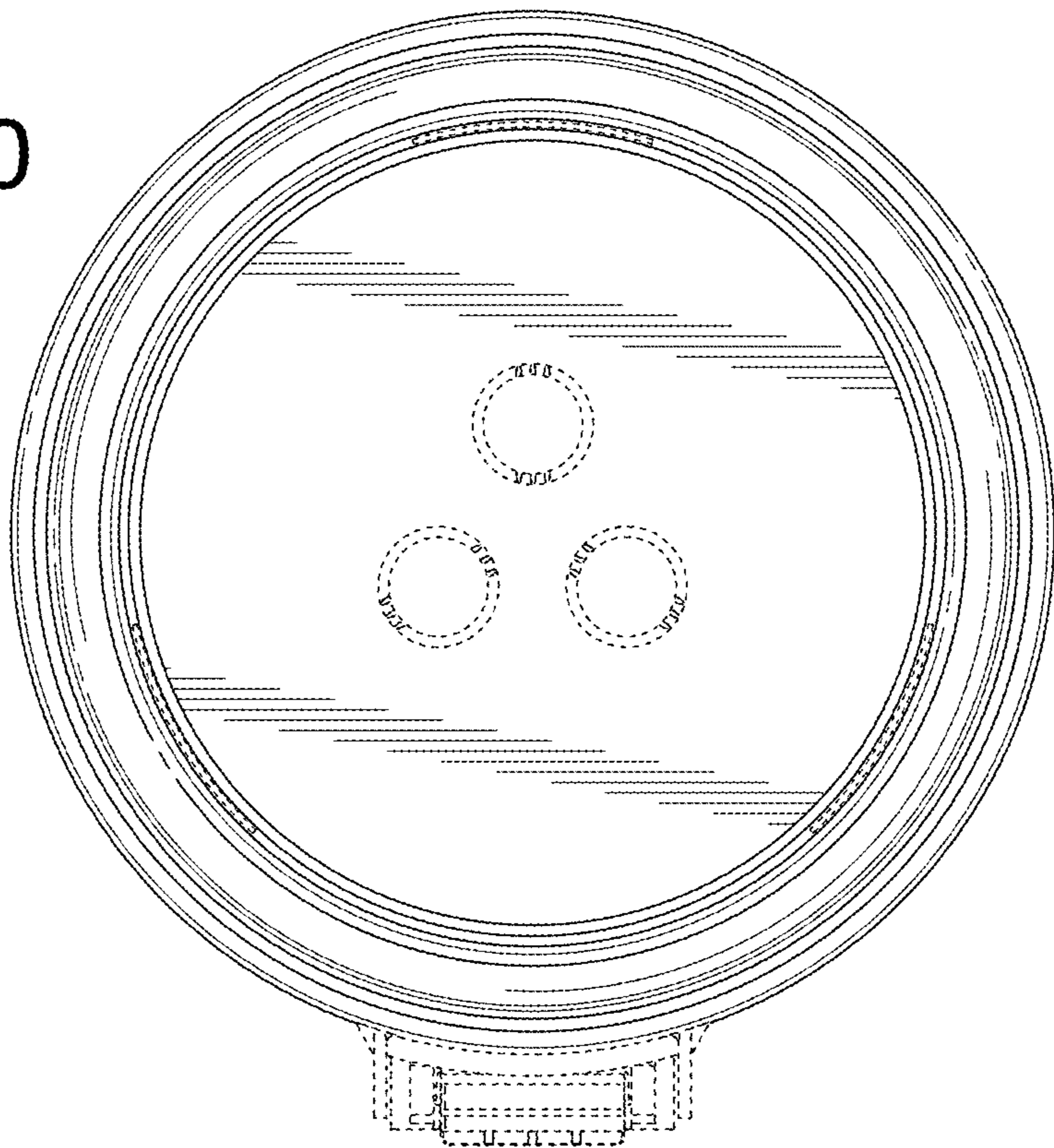


FIG. 10



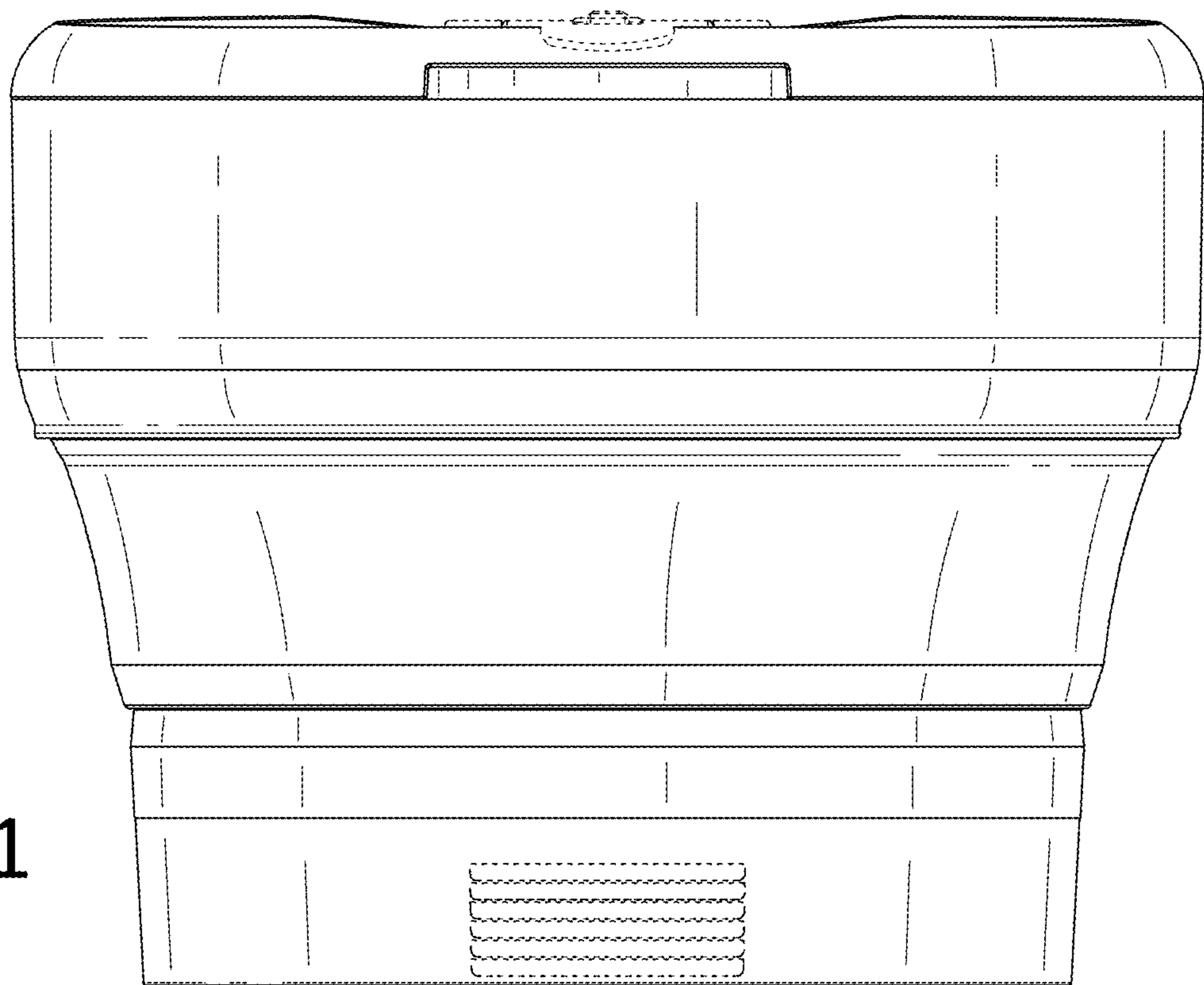


FIG. 11

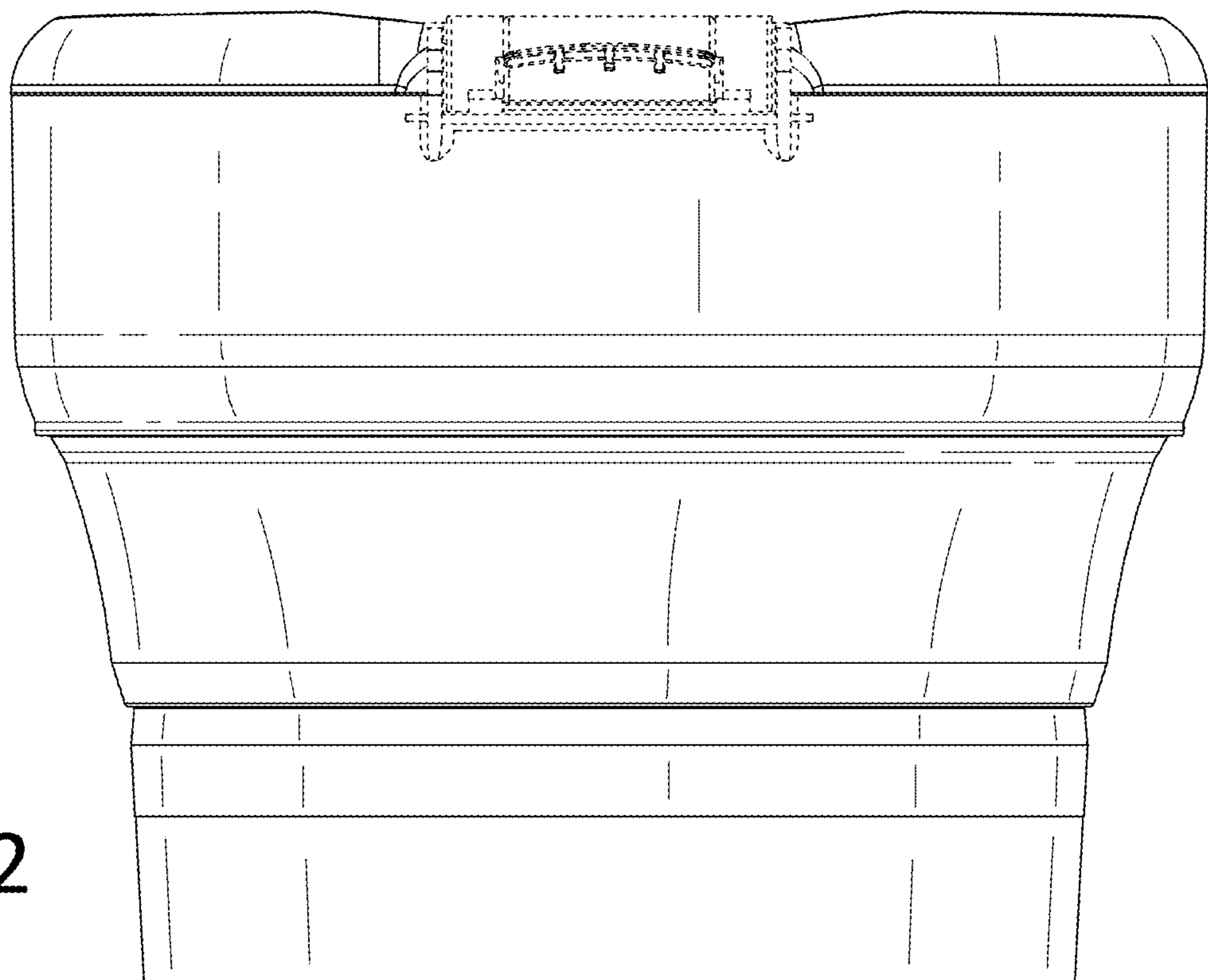


FIG. 12

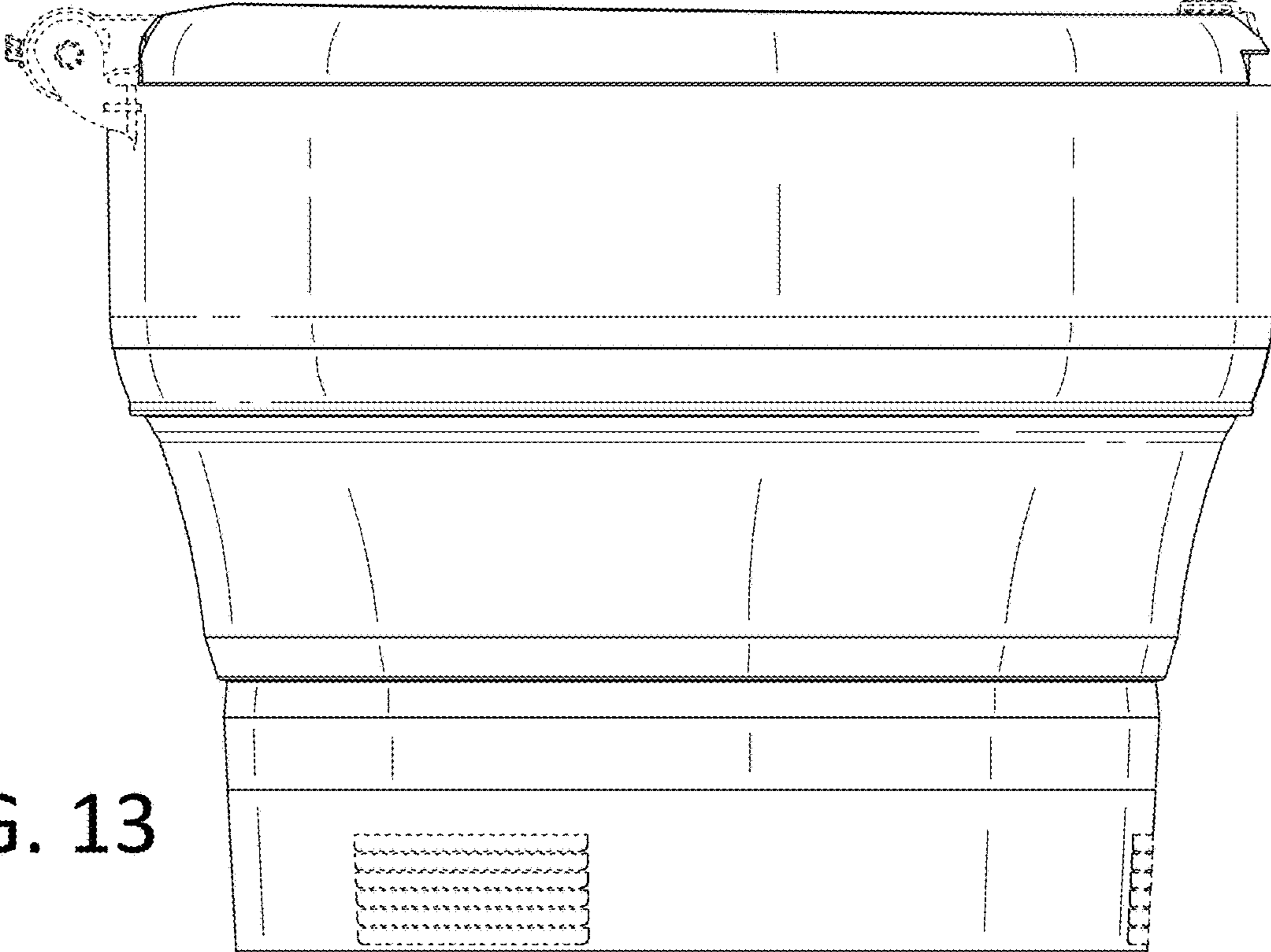


FIG. 13

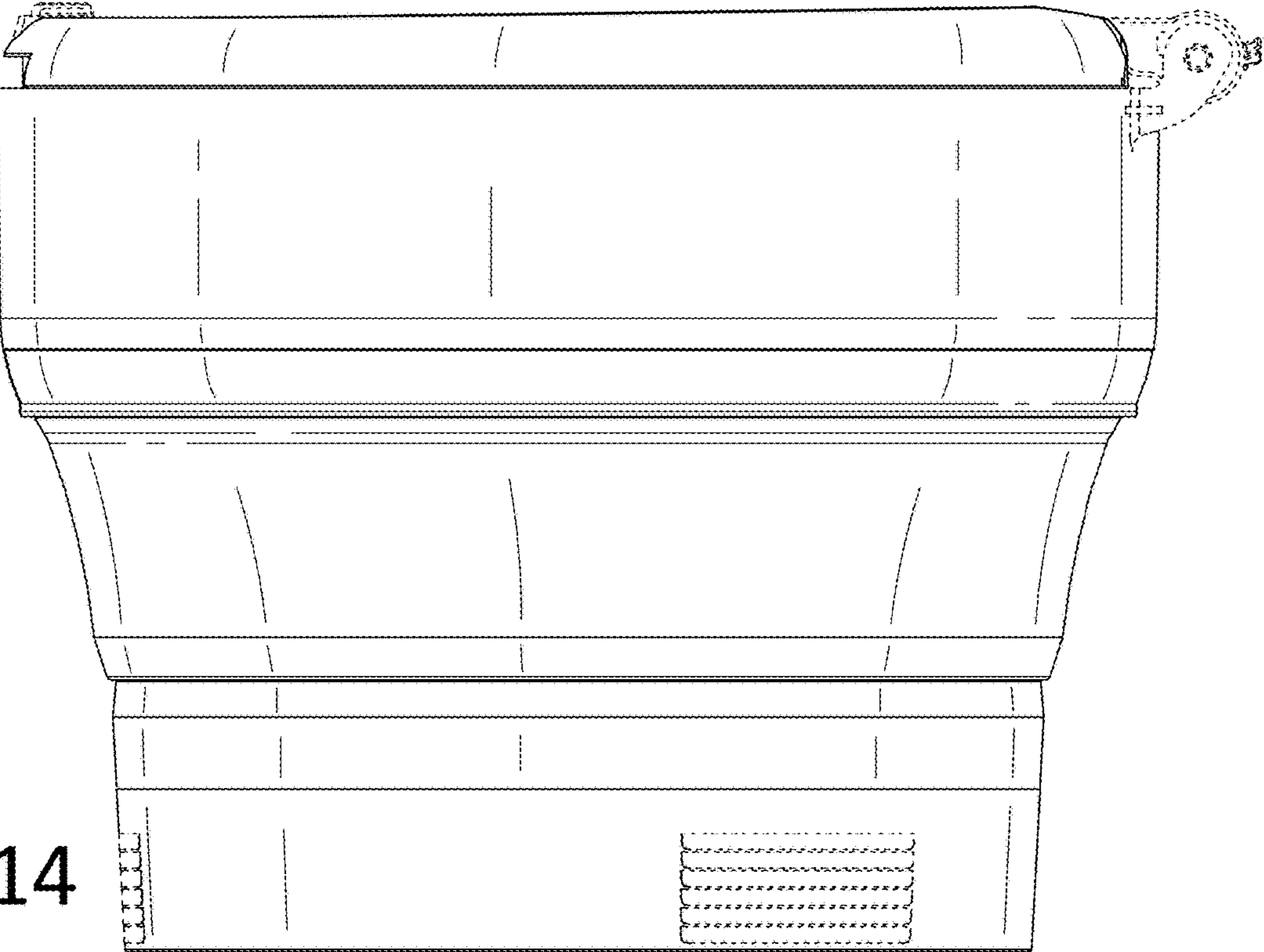


FIG. 14

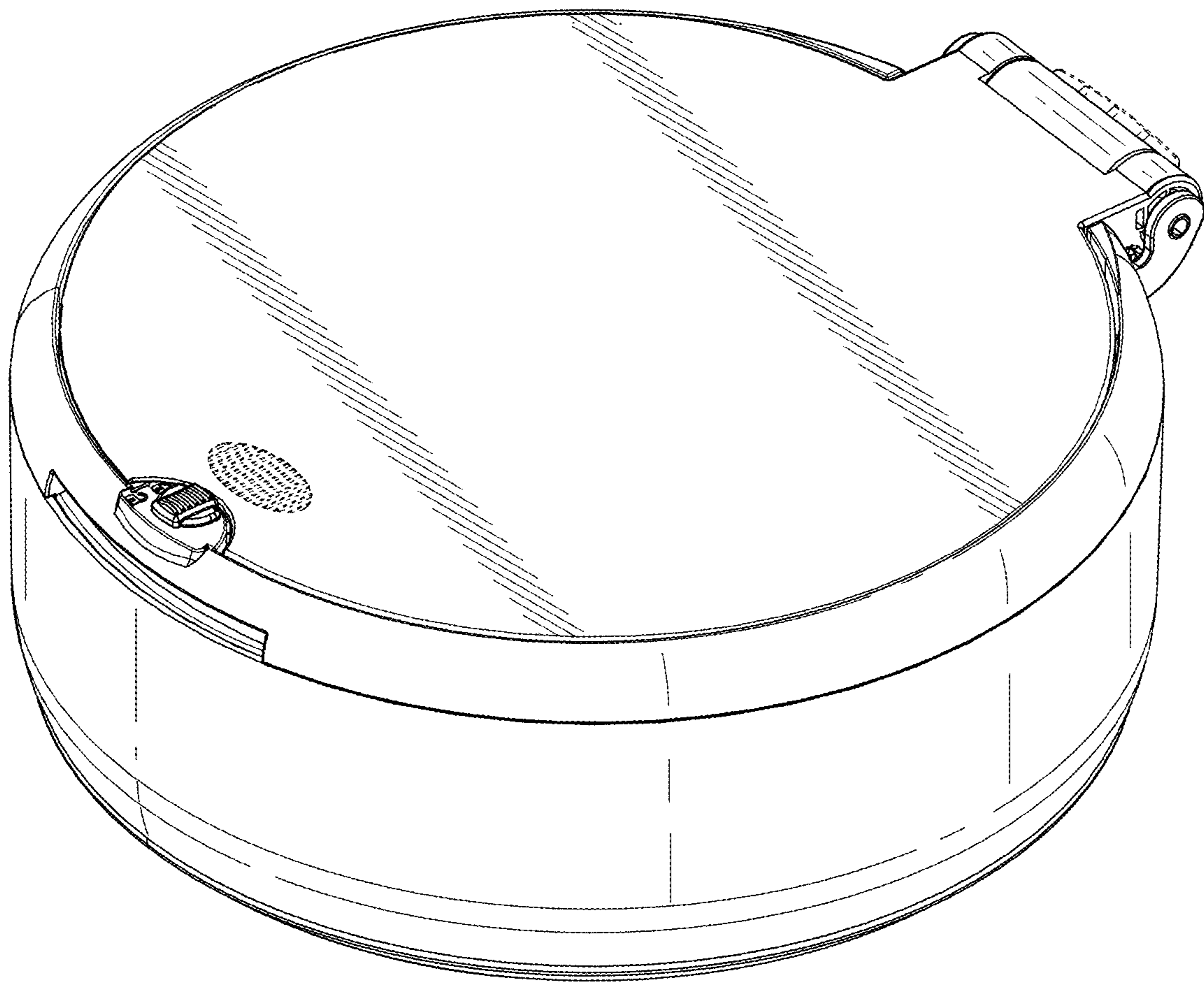


FIG. 15

FIG. 16

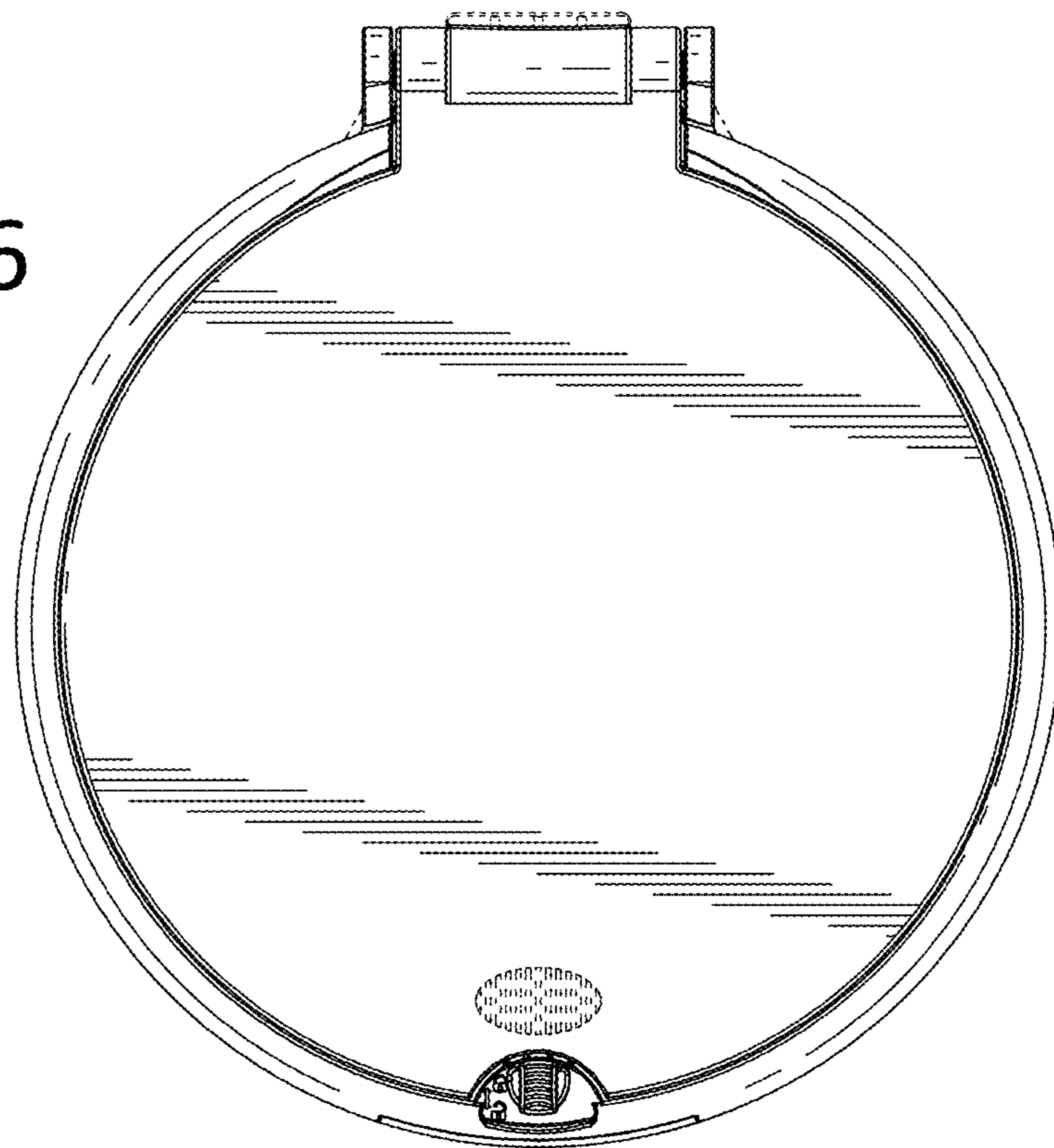
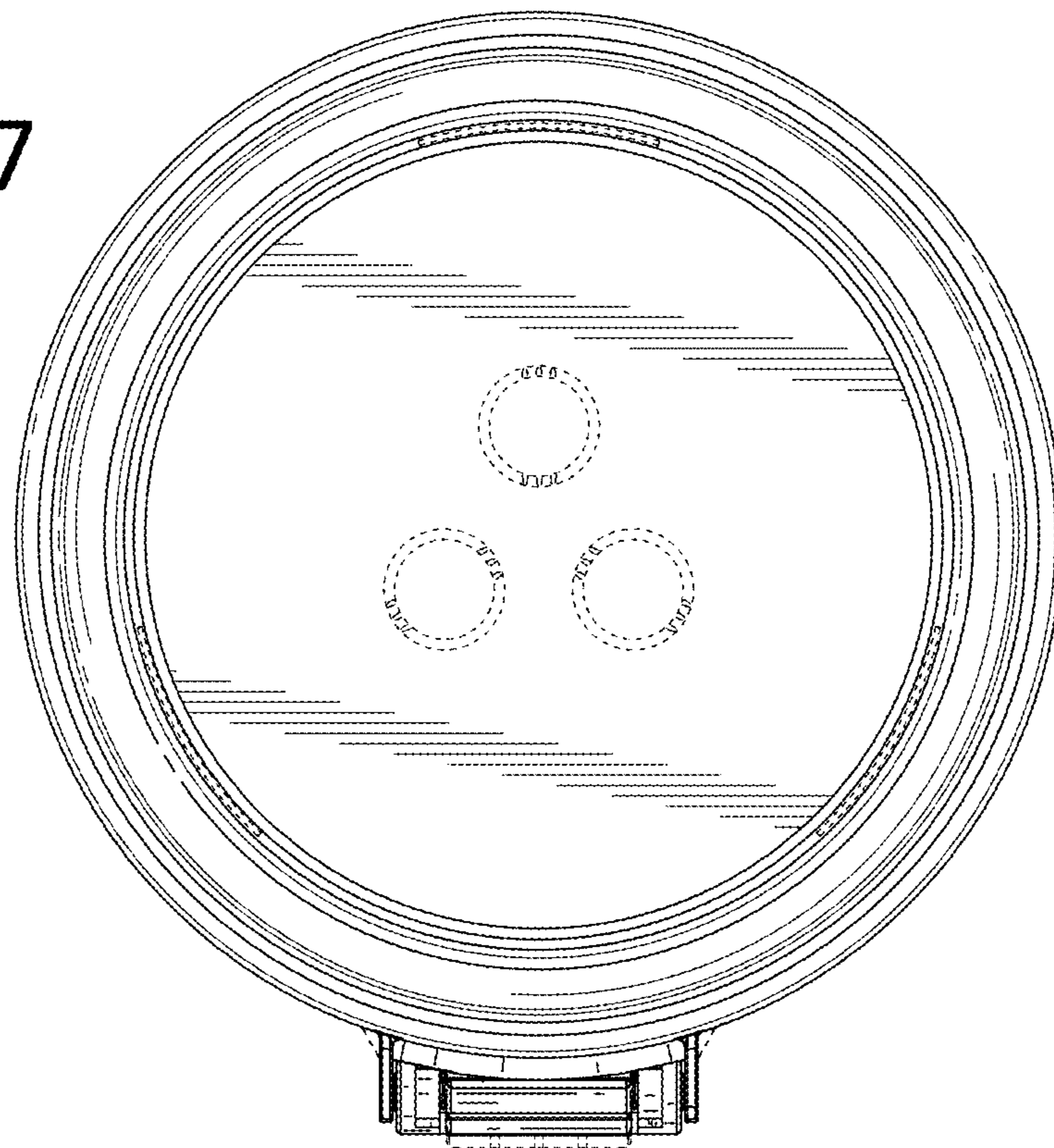


FIG. 17



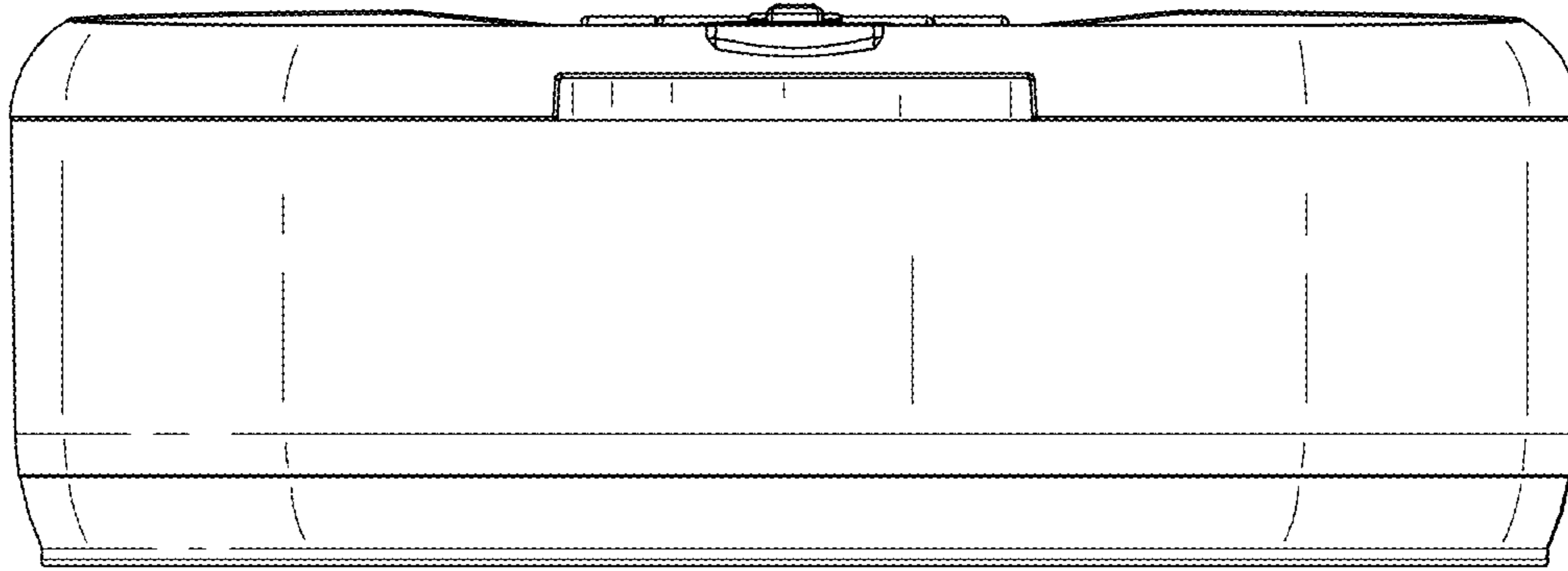


FIG. 18

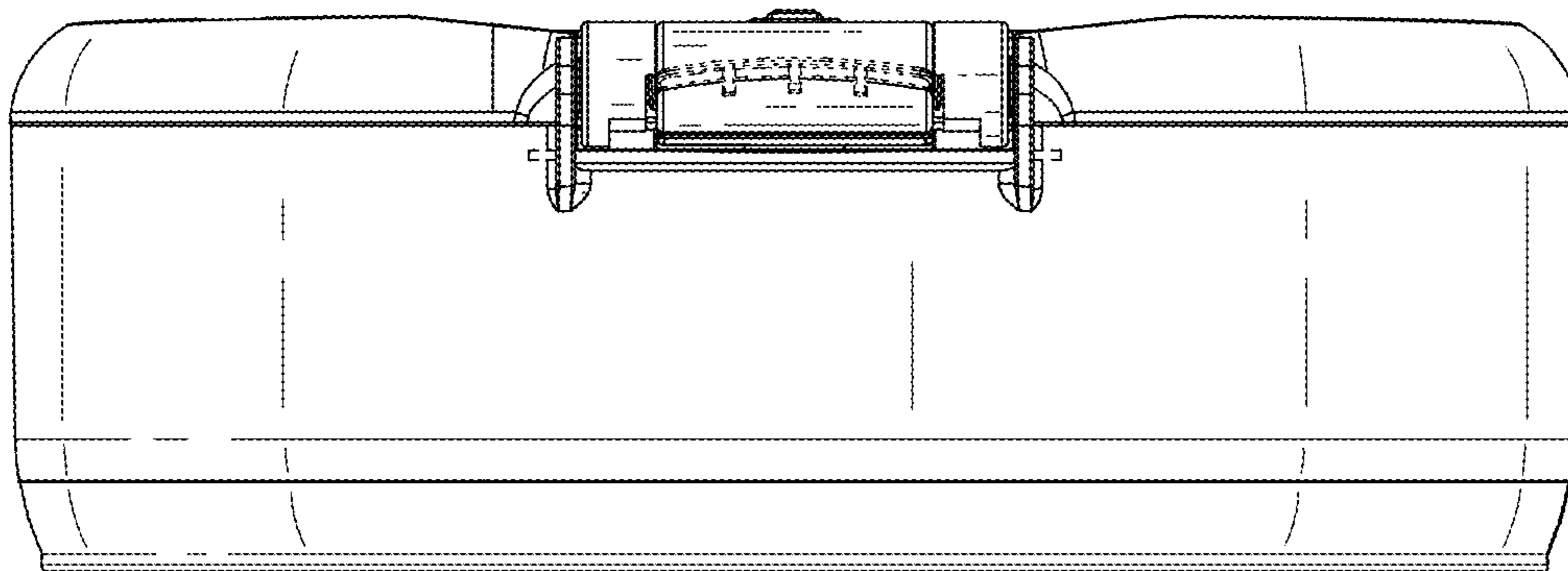


FIG. 19

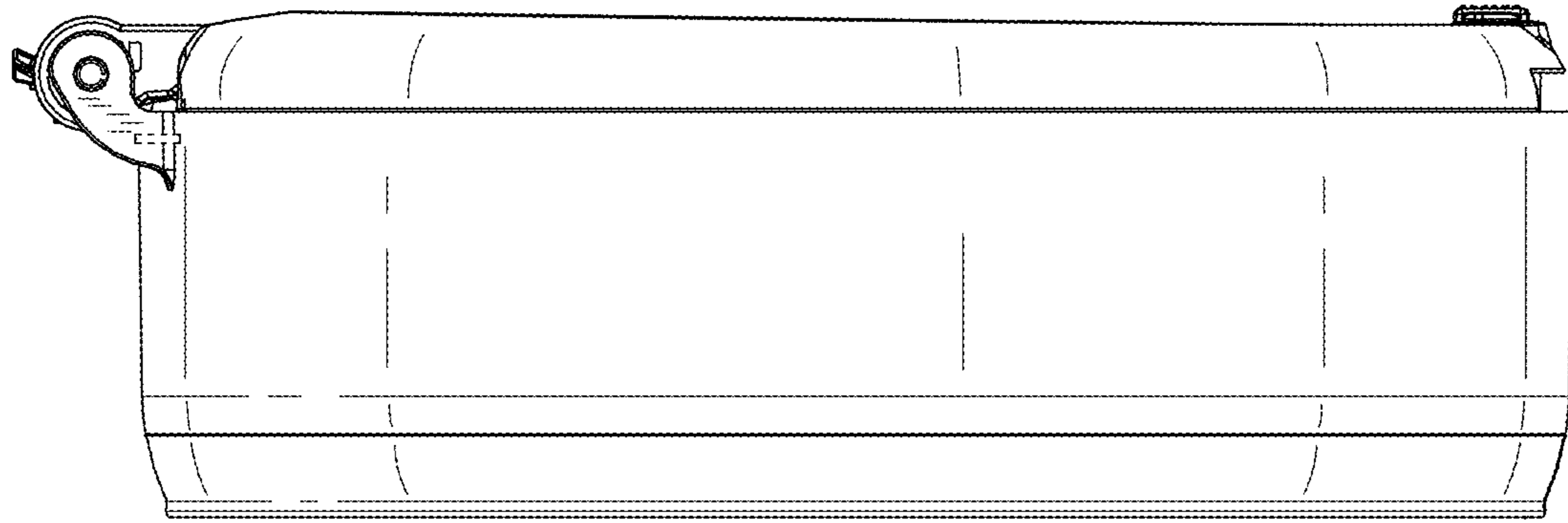


FIG. 20

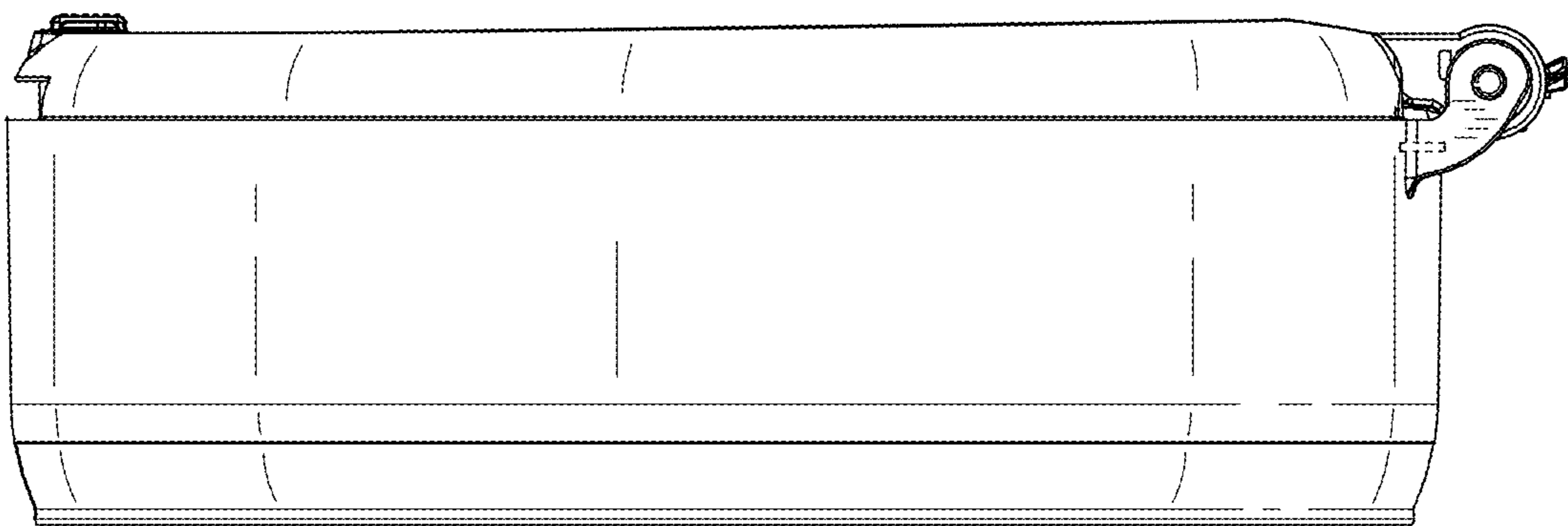


FIG. 21

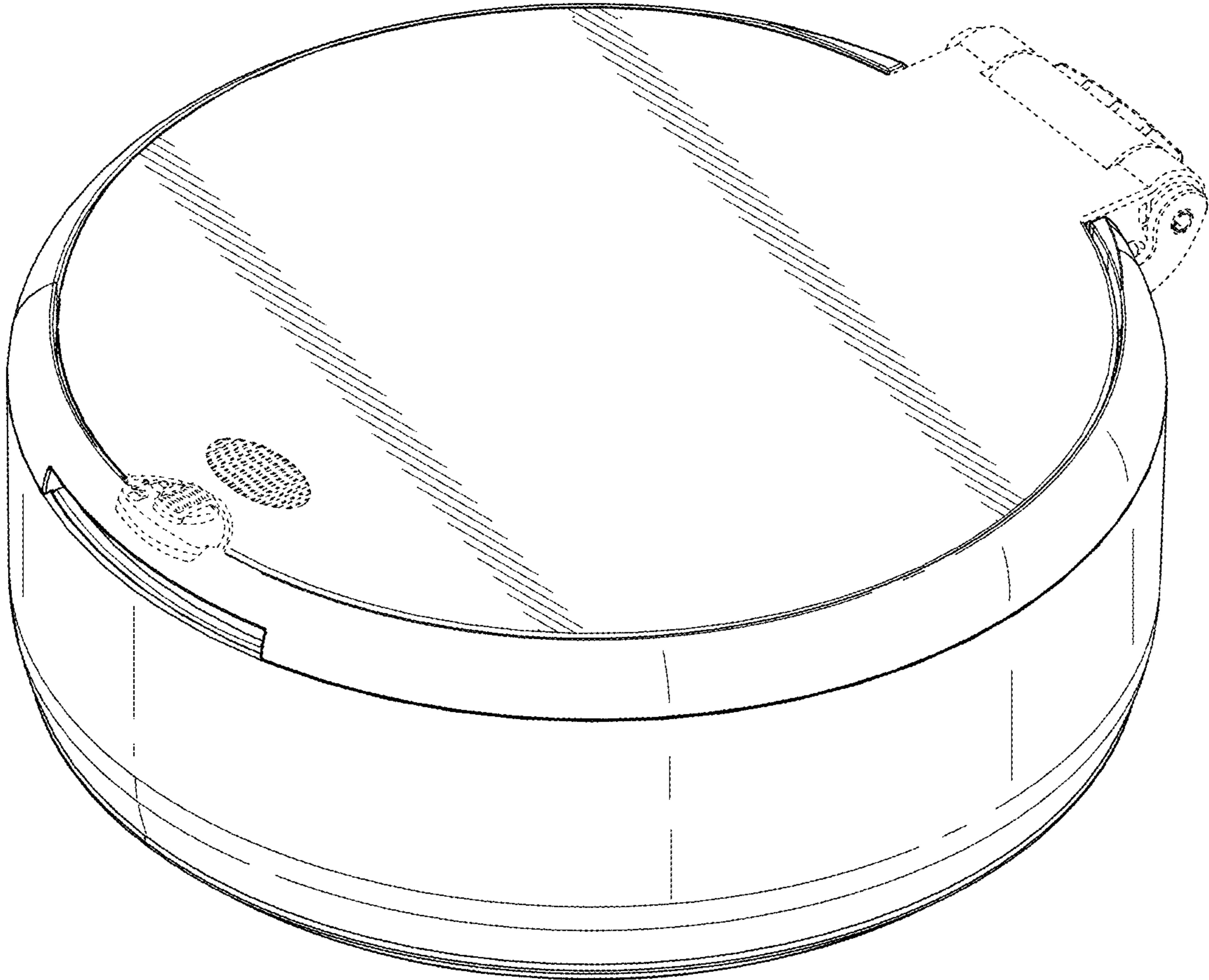


FIG. 22

FIG. 23

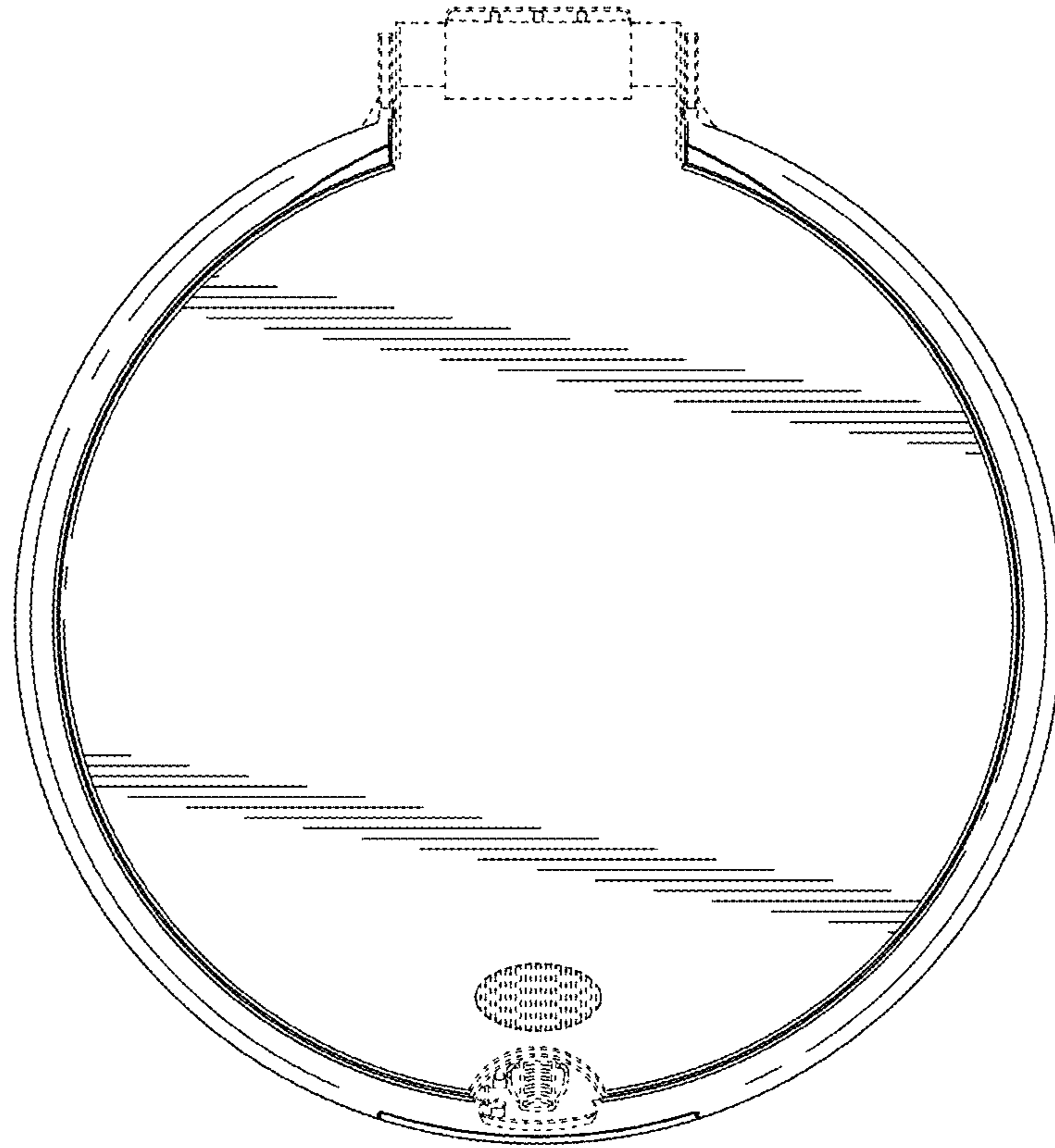
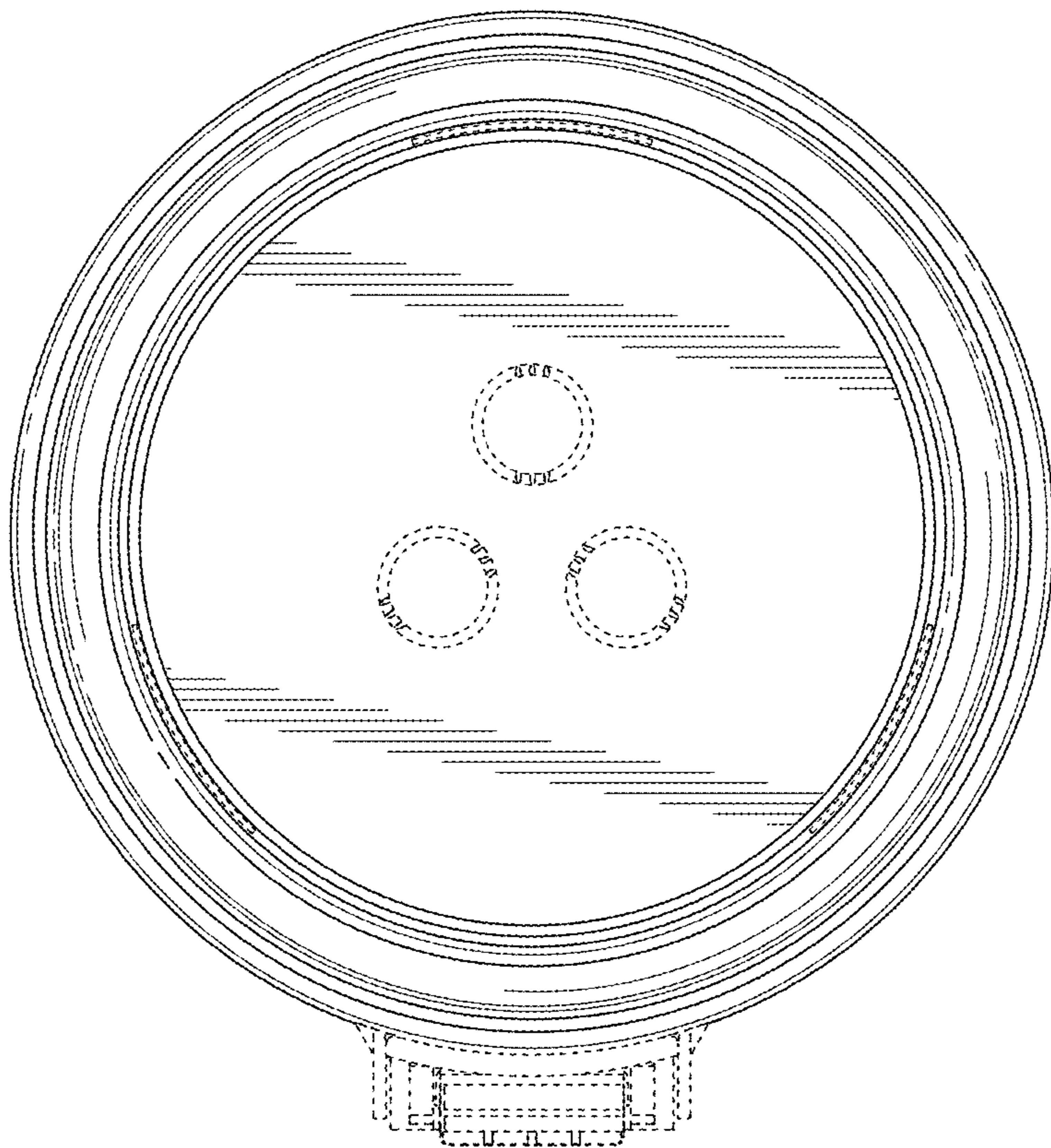


FIG. 24



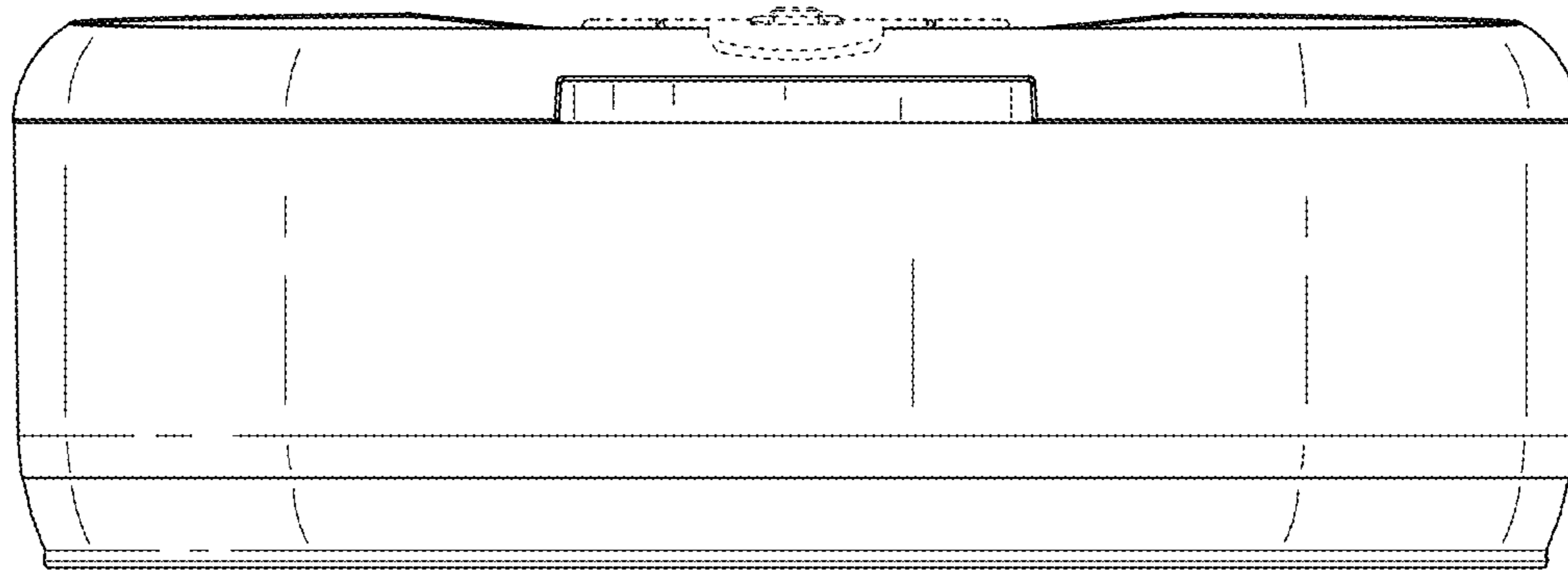


FIG. 25

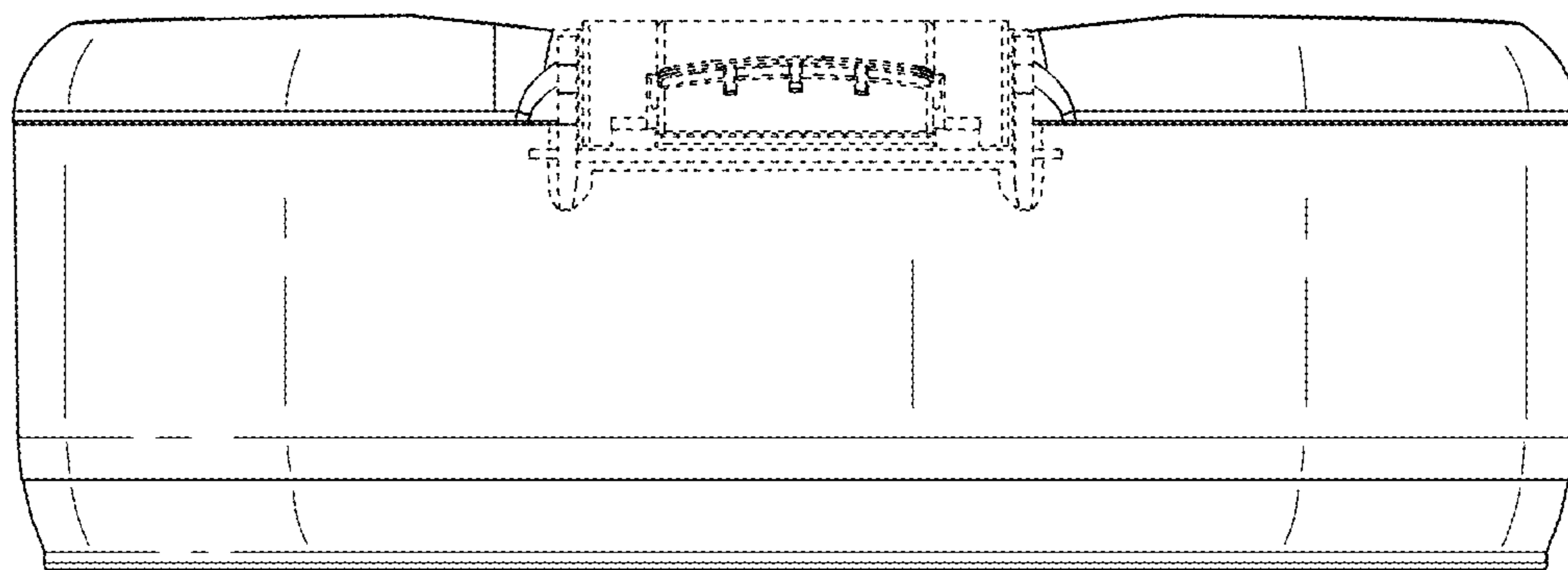


FIG. 26

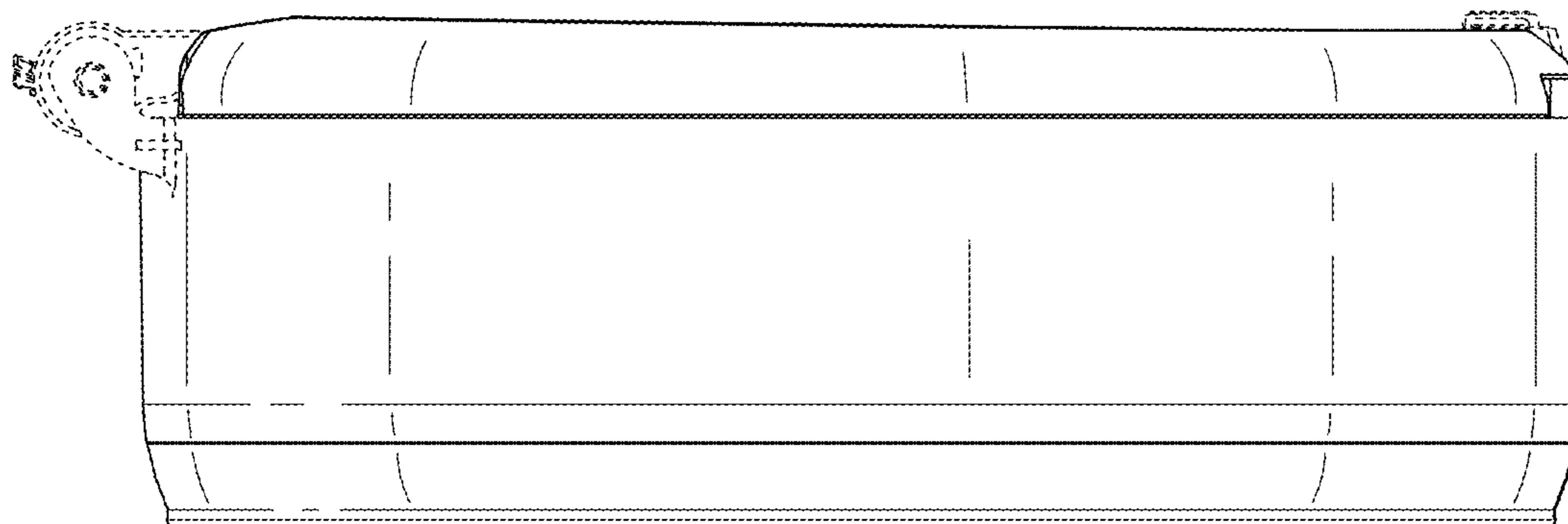


FIG. 27

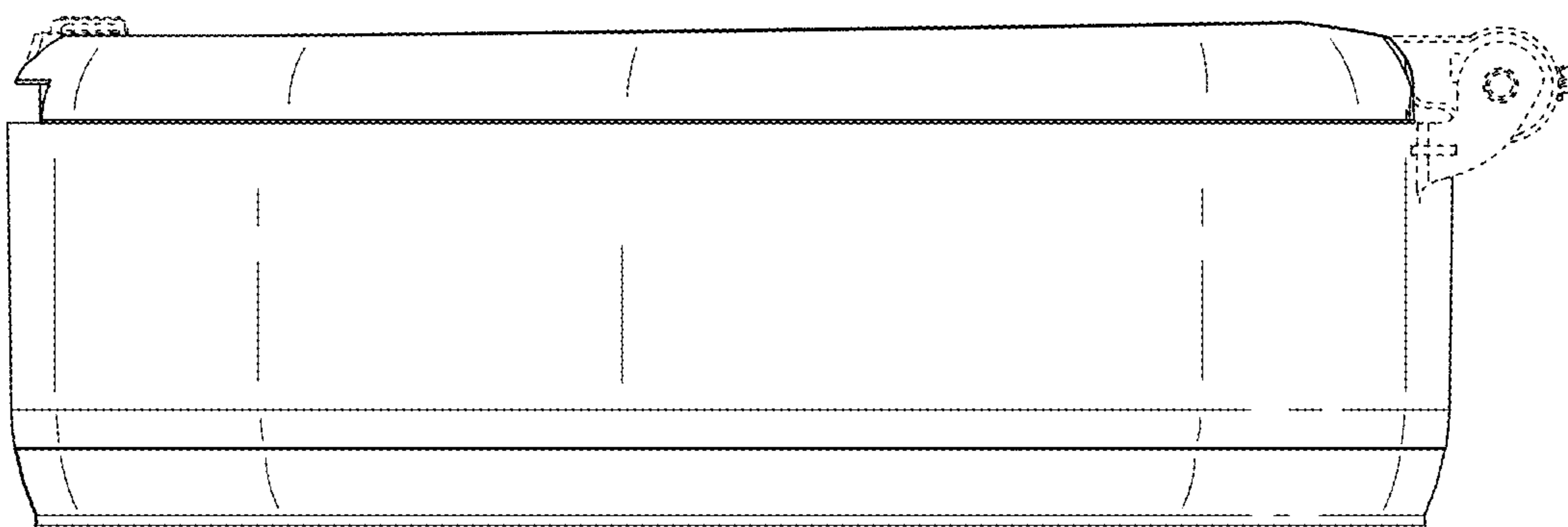


FIG. 28