

US00D895918S

(12) **United States Design Patent** (10) **Patent No.:** **US D895,918 S**
Stravitz (45) **Date of Patent:** **** Sep. 8, 2020**

(54) **VERTICALLY ORIENTED CONTAINER WITH A LID**
(71) Applicant: **Dooli Products, LLC**, New York, NY (US)
(72) Inventor: **David M Stravitz**, New York, NY (US)
(73) Assignee: **Dooli Products, LLC**, New York, NY (US)
(**) Term: **15 Years**
(21) Appl. No.: **29/723,485**
(22) Filed: **Feb. 7, 2020**
(51) **LOC (12) Cl.** **09-09**
(52) **U.S. Cl.**
USPC **D34/7**
(58) **Field of Classification Search**
USPC D34/1, 7, 8, 9, 10, 11; D32/37, 53, 53.1
CPC .. B65F 2250/11; B65F 2250/114; B65F 1/06;
B65F 1/1615; B65F 1/1607; B65F 1/062;
B65F 1/163; B62B 2202/20; B62B
2202/028; B62B 2207/02
See application file for complete search history.

(56) **References Cited**

U.S. PATENT DOCUMENTS

1,978,314 A	10/1934	Lancaster
2,426,911 A	9/1947	Williamson
4,483,095 A	11/1984	Webringer
4,644,610 A	2/1987	Fish
D313,461 S	1/1991	Hart
5,016,753 A	5/1991	Henderson
D332,203 S	1/1993	Fernandez-Guthrie
D333,893 S	3/1993	Washburn
5,205,530 A	4/1993	Fish
5,226,551 A	7/1993	Robbins, III
5,439,128 A	8/1995	Fishman
5,573,129 A	11/1996	Nagata et al.

(Continued)

FOREIGN PATENT DOCUMENTS

EP 2801289 A1 11/2014

OTHER PUBLICATIONS

www.purepail.com/collections/all/products/purepail-diaper-pail, google search, obtained Jul. 8, 2020 (Year: 2020).*

(Continued)

Primary Examiner — Cynthia Ramirez

(74) *Attorney, Agent, or Firm* — Brian Roffe

(57) **CLAIM**

The ornamental design for a vertically oriented container with a lid, as shown and described.

DESCRIPTION

FIG. 1 is a front perspective view of a first embodiment of a vertically oriented container with a lid showing my new design;

FIG. 2 is a top plan view thereof;

FIG. 3 is a bottom plan view thereof;

FIG. 4 is a front elevational view thereof;

FIG. 5 is a rear elevational view thereof;

FIG. 6 is a left elevational view thereof;

FIG. 7 is a right elevational view thereof;

FIG. 8 is a front perspective view of a second embodiment of a vertically oriented container with a lid showing my new design;

FIG. 9 is a top plan view thereof;

FIG. 10 is a bottom plan view thereof;

FIG. 11 is a front elevational view thereof;

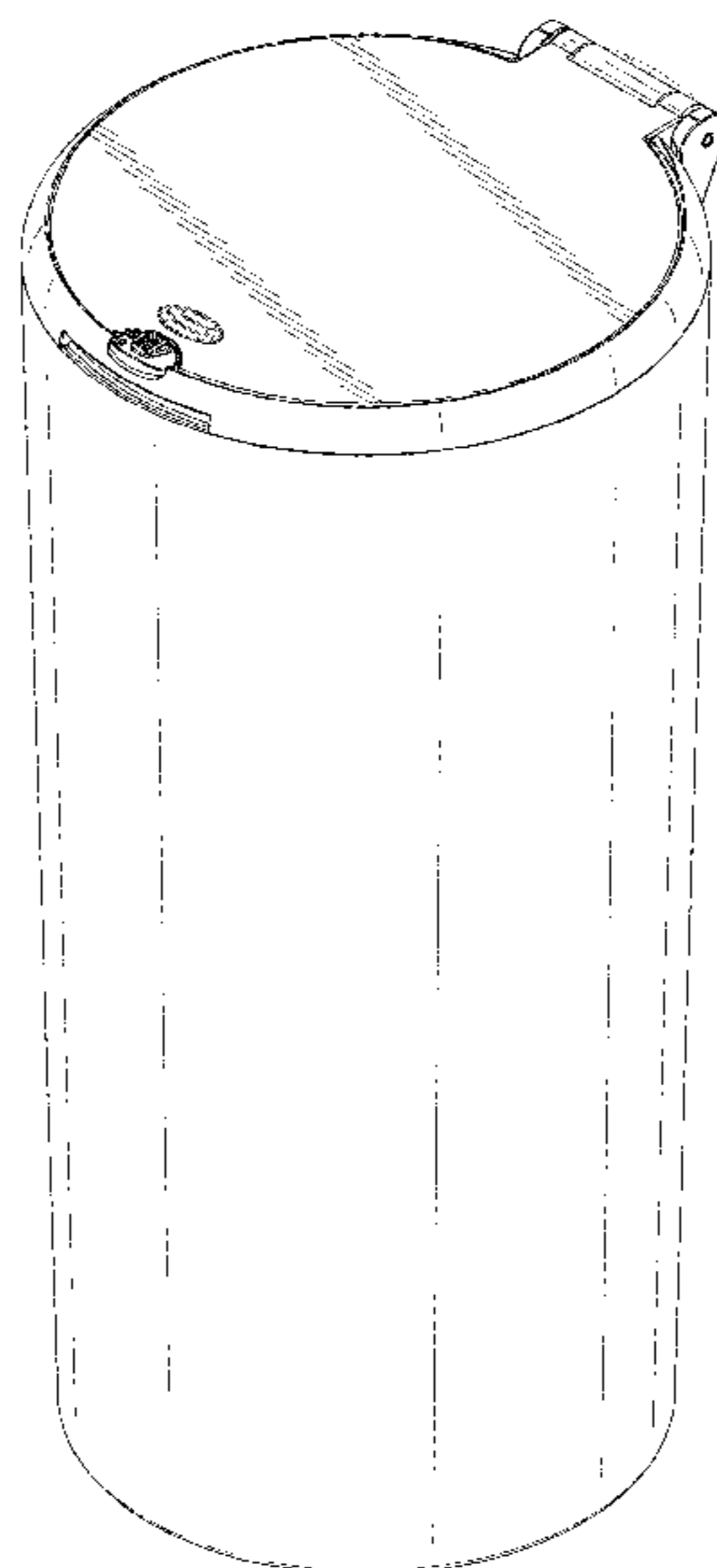
FIG. 12 is a rear elevational view thereof;

FIG. 13 is a left elevational view thereof; and,

FIG. 14 is a right elevational view thereof.

The broken lines are to show portions of the vertically oriented container with a lid, which form no part of the claimed design.

1 Claim, 8 Drawing Sheets



(56)

References Cited

U.S. PATENT DOCUMENTS

5,575,398 A 11/1996 Robbins, III
 5,695,088 A 12/1997 Kasbohm
 5,909,820 A 6/1999 Yeh
 5,987,708 A 11/1999 Newton
 6,364,146 B1 4/2002 Beckerer, Jr.
 6,484,897 B1 11/2002 Crawley
 6,612,099 B2 9/2003 Stravitz
 6,666,329 B1 12/2003 Charbonneau
 6,804,930 B2 10/2004 Stravitz
 6,851,251 B2 2/2005 Stravitz
 7,114,314 B2 10/2006 Stravitz
 7,146,785 B2 12/2006 Stravitz
 7,243,811 B1 7/2007 Ramsey
 7,316,100 B2 1/2008 Stravitz et al.
 D567,466 S * 4/2008 Lee D34/7
 7,434,377 B2 10/2008 Stravitz et al.
 7,494,022 B2 2/2009 Buchalter et al.
 D588,320 S * 3/2009 Daams D34/7
 7,503,152 B2 3/2009 Stravitz et al.
 7,503,159 B2 3/2009 Stravitz et al.
 7,617,659 B2 11/2009 Stravitz et al.
 7,694,838 B2 4/2010 Yang et al.
 7,708,188 B2 5/2010 Stravitz et al.
 7,712,285 B2 5/2010 Stravitz et al.
 D620,666 S 7/2010 Colondona
 7,641,835 B2 11/2010 Ramsey et al.
 7,963,414 B1 6/2011 Stravitz
 8,061,546 B2 11/2011 Ramsey
 D652,189 S * 1/2012 Morand D34/7
 8,127,519 B2 3/2012 Stravitz
 8,215,089 B2 7/2012 Stravitz
 8,235,237 B1 8/2012 Stravitz
 8,266,871 B1 9/2012 Stravitz
 8,393,489 B1 3/2013 Stravitz
 D695,541 S 12/2013 Dunn
 8,844,751 B2 9/2014 Sakaguchi et al.
 8,887,942 B2 11/2014 Miksovsky et al.
 D719,313 S * 12/2014 Kao D34/7
 8,910,821 B1 12/2014 Stravitz
 8,973,774 B1 3/2015 Stravitz
 D733,987 S * 7/2015 Coffin D34/9
 D737,014 S * 8/2015 Wall D34/9
 D747,060 S * 1/2016 Valderrama D34/7
 D747,061 S * 1/2016 Valderrama D34/7
 D754,413 S * 4/2016 Wall D34/8
 D766,536 S * 9/2016 Karatas D34/7
 D774,269 S * 12/2016 Spadotto D34/8
 D780,395 S * 2/2017 Stravitz D34/7
 D781,519 S * 3/2017 Spadotto D34/9
 D785,887 S 5/2017 Bechtold, Jr.
 D791,615 S 7/2017 Stravitz
 9,802,755 B2 * 10/2017 Chakravarthy B65F 1/062
 9,828,721 B2 11/2017 Silverman et al.
 9,950,853 B2 4/2018 Irwin-Kieling et al.
 10,053,283 B1 8/2018 Stravitz
 D829,401 S * 9/2018 Parker D34/10
 10,081,481 B2 9/2018 Fernandez de Castro
 D831,291 S * 10/2018 Chenvainu D34/10
 10,099,855 B1 10/2018 Higgins, II
 10,273,070 B2 4/2019 Perkins et al.
 D851,349 S * 6/2019 Beumer D34/9
 D872,958 S * 1/2020 Chen D34/7
 D879,400 S * 3/2020 Chen D34/9
 10,611,564 B1 4/2020 Stravitz
 D889,760 S * 7/2020 Chung D34/7
 2003/0085227 A1 5/2003 Azzarello
 2004/0206760 A1 * 10/2004 Gagnebin B65F 1/08
 220/495.04

2005/0056649 A1 3/2005 Simonson et al.
 2005/0127074 A1 6/2005 Kusuma et al.
 2007/0289772 A1 12/2007 Kuroda et al.
 2008/0000912 A1 1/2008 Lin
 2008/0264948 A1 10/2008 Kovacevich et al.
 2009/0046955 A1 2/2009 Schember et al.
 2009/0230135 A1 9/2009 Ghitza
 2010/0005762 A1 1/2010 Stravitz
 2010/0140423 A1 6/2010 Davies et al.
 2010/0176126 A1 7/2010 Shikano
 2011/0099944 A1 * 5/2011 Dunn B65F 1/06
 53/211
 2011/0100996 A1 5/2011 Dunn et al.
 2011/0100997 A1 * 5/2011 Gagnebin B65F 1/08
 220/495.04
 2011/0155755 A1 * 6/2011 Lin B65F 1/1615
 220/830
 2011/0170807 A1 7/2011 Khubani
 2011/0272419 A1 11/2011 Vanderberg et al.
 2012/0000911 A1 * 1/2012 Wang B65F 1/1638
 220/495.11
 2012/0211494 A1 8/2012 Morand
 2013/0075406 A1 3/2013 Sakaguchi et al.
 2013/0181000 A1 7/2013 Miksovsky et al.
 2013/0264340 A1 10/2013 Zens
 2013/0277364 A1 10/2013 Kusuma et al.
 2014/0042168 A1 2/2014 Dunn et al.
 2014/0326730 A1 * 11/2014 Morand B65F 1/06
 220/495.06
 2015/0041478 A1 2/2015 Abrams et al.
 2015/0217900 A1 8/2015 Poulin
 2015/0251795 A1 9/2015 Tsui
 2015/0251808 A1 9/2015 Tsui
 2015/0251809 A1 9/2015 Jasin
 2015/0253055 A1 9/2015 Tsui
 2015/0291309 A1 10/2015 McGregor
 2016/0059990 A1 3/2016 Patikas-Bryant
 2016/0167872 A1 6/2016 Dunn et al.
 2016/0347503 A1 12/2016 Tsui
 2018/0065778 A1 3/2018 Johnson
 2019/0075973 A1 3/2019 Charleson et al.
 2019/0085503 A1 3/2019 Tsui
 2019/0119000 A1 4/2019 Tsui

OTHER PUBLICATIONS

Parameter folding trash can, downloaded on Dec. 14, 2018.
 Search results from Alibaba.com performed using search term “TPR collapsing 10L” on Mar. 22, 2019.
 Search results from Alibaba.com, Products, performed using search term “TPR collapsing laundry basket” on Mar. 22, 2019.
 Search results from Alibaba.com, Suppliers, performed using search term “TPR collapsing laundry basket” on Mar. 22, 2019.
 Description of New Design Custom Eco-friendly Fda Approval Collapsible Baby Food Storage Container With Lid from alibaba.com printed on Mar. 28, 2019.
 Description of Hot-selling Wholesale Microwave Safe Silicone Lunch Box/collapsible Silicone Food Container from alibaba.com printed on Mar. 28, 2019.
 Search results from Alibaba.com, Products, performed using search term “collapsible buckets TPR” on Mar. 28, 2019.
 Search report for International Application PCT/US2019/019385 dated Apr. 26, 2019.
 Written opinion for International Application PCT/US2019/019385 dated Apr. 26, 2019.
 Office Action for U.S. Appl. No. 29/723,493 dated Jul. 17, 2020.

* cited by examiner

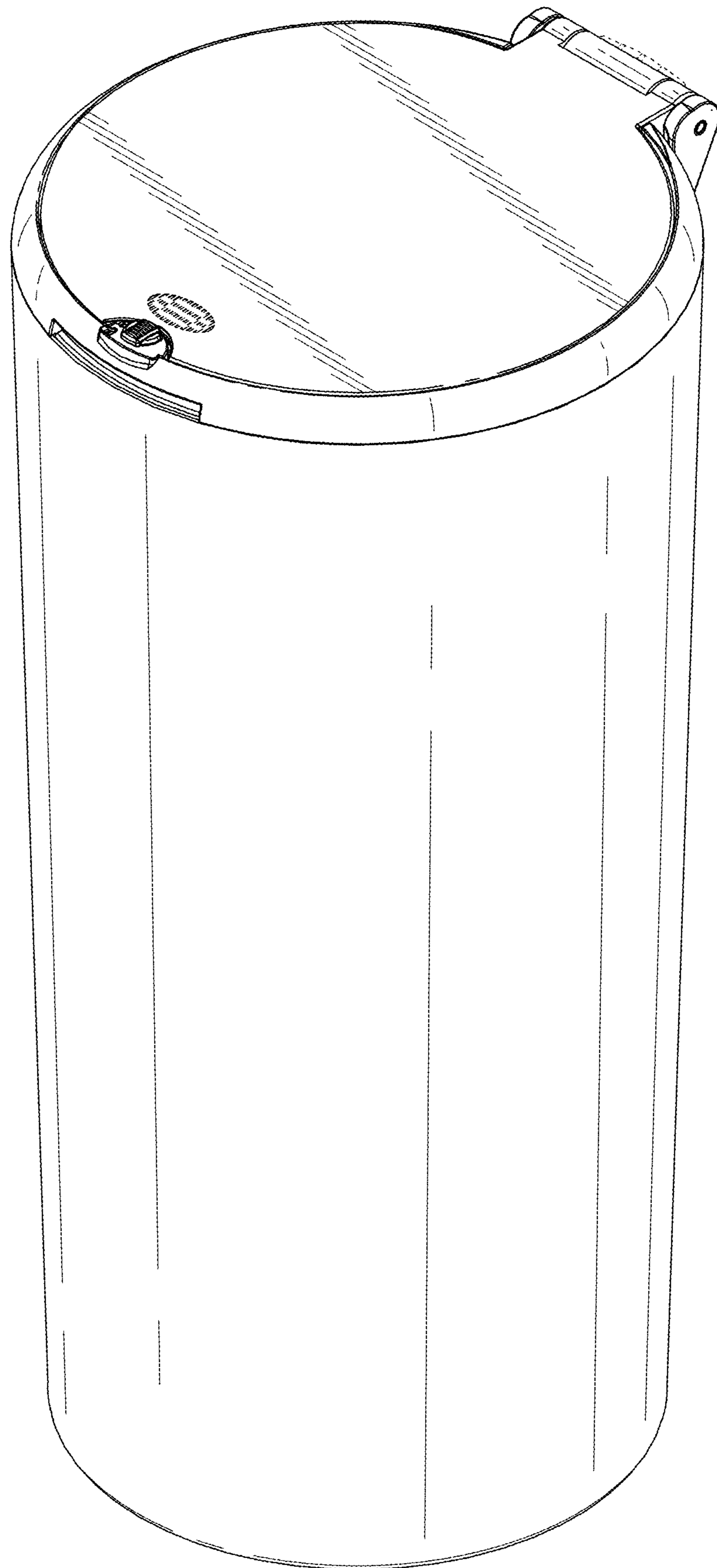


FIG. 1

FIG. 2

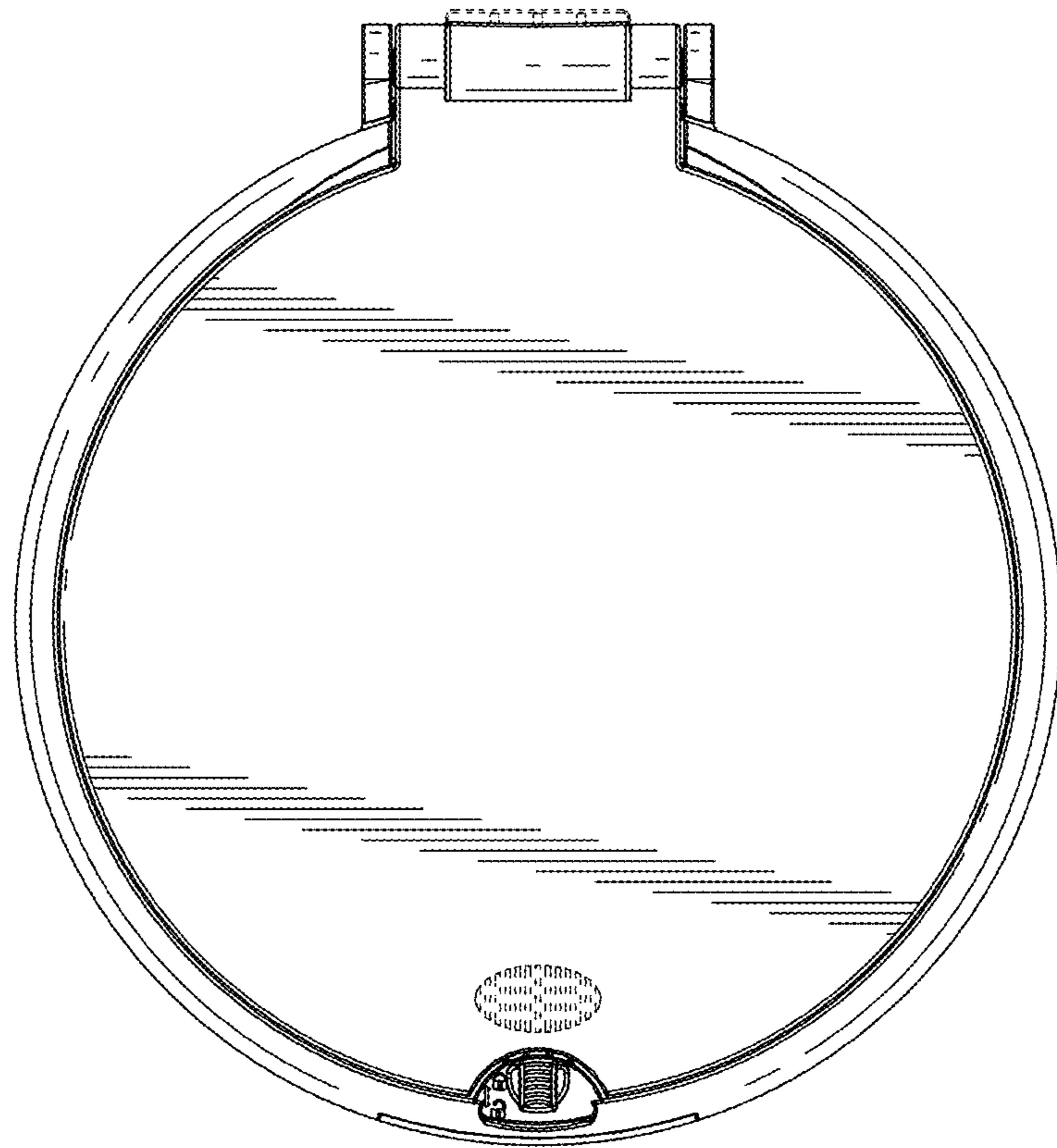
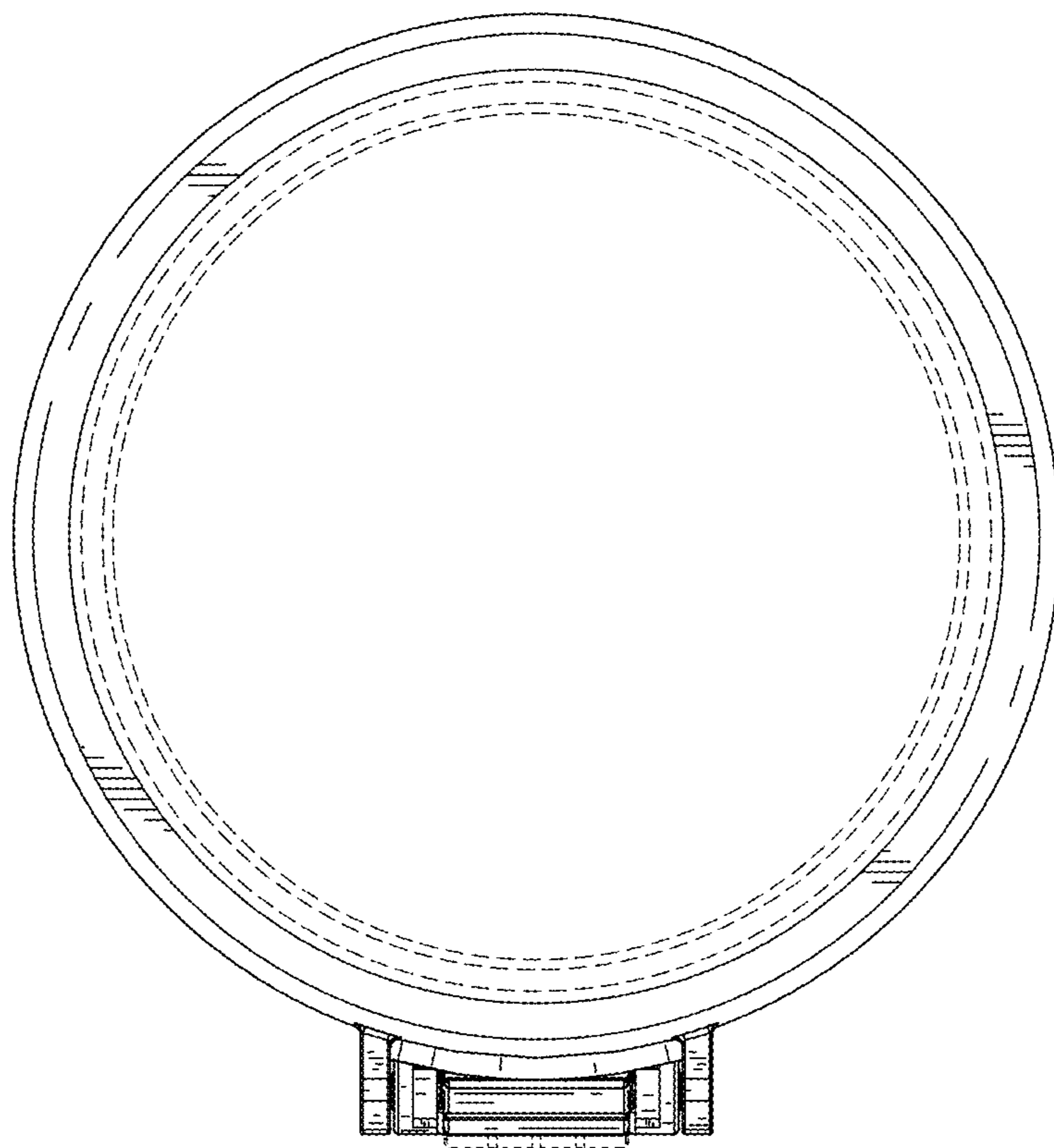


FIG. 3



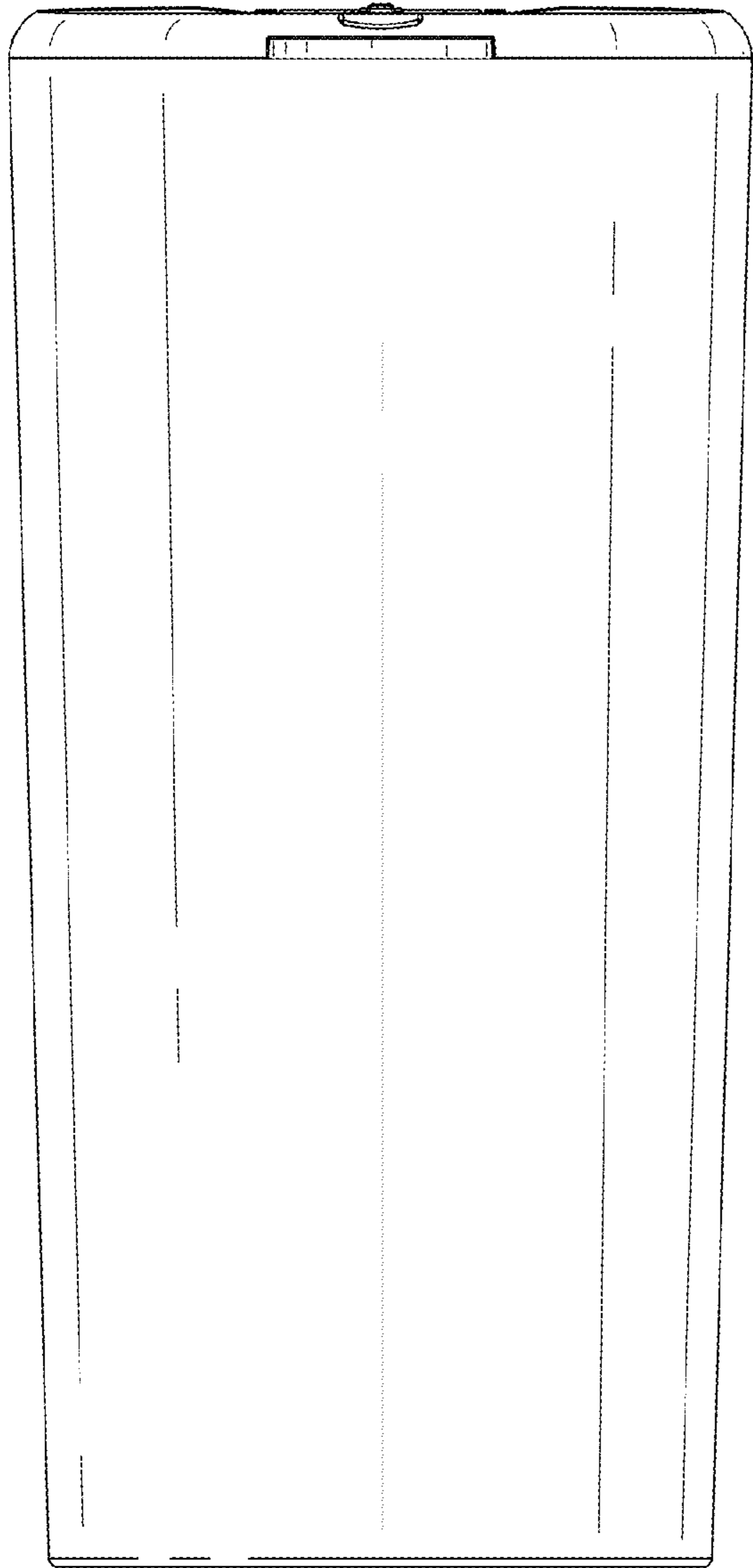


FIG. 4

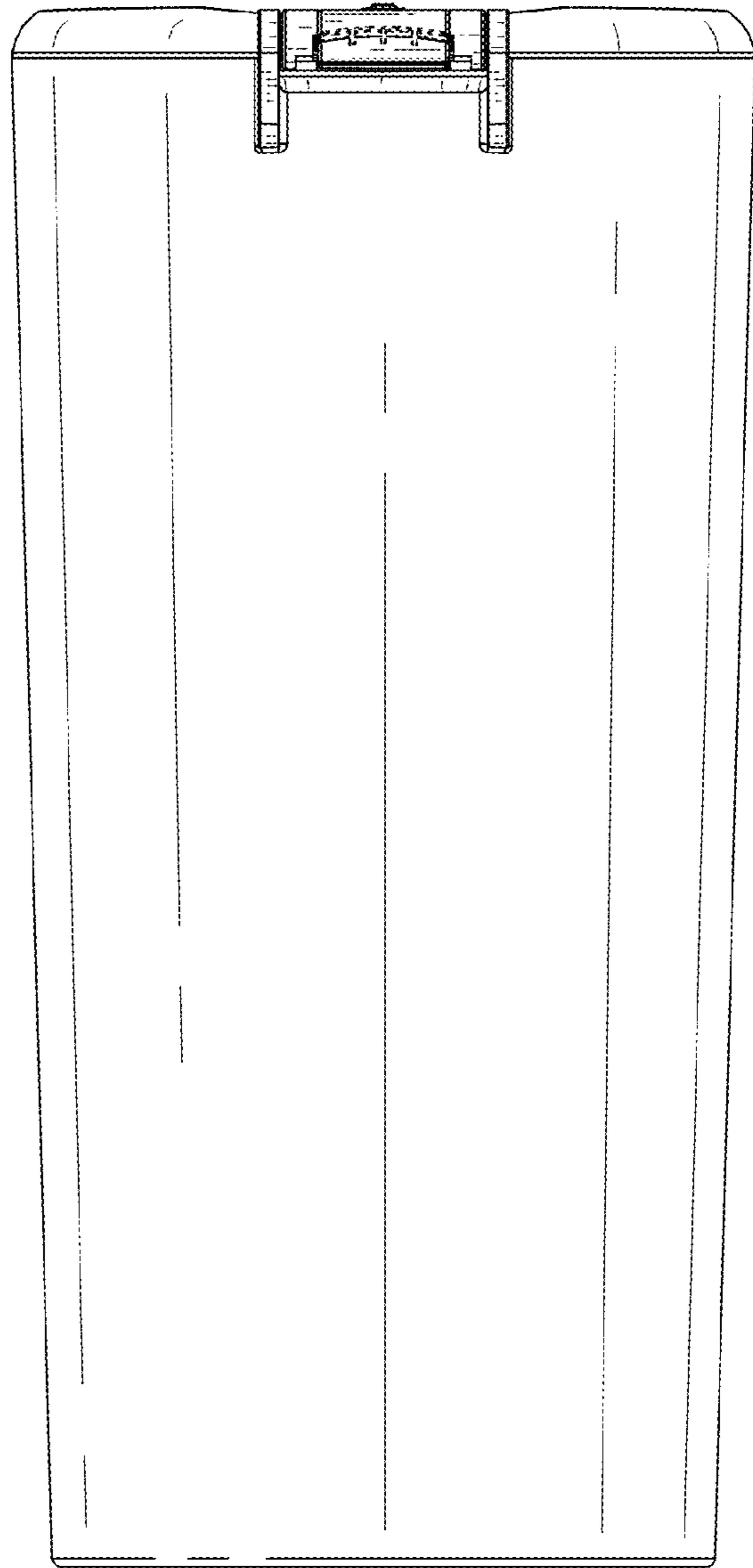


FIG. 5

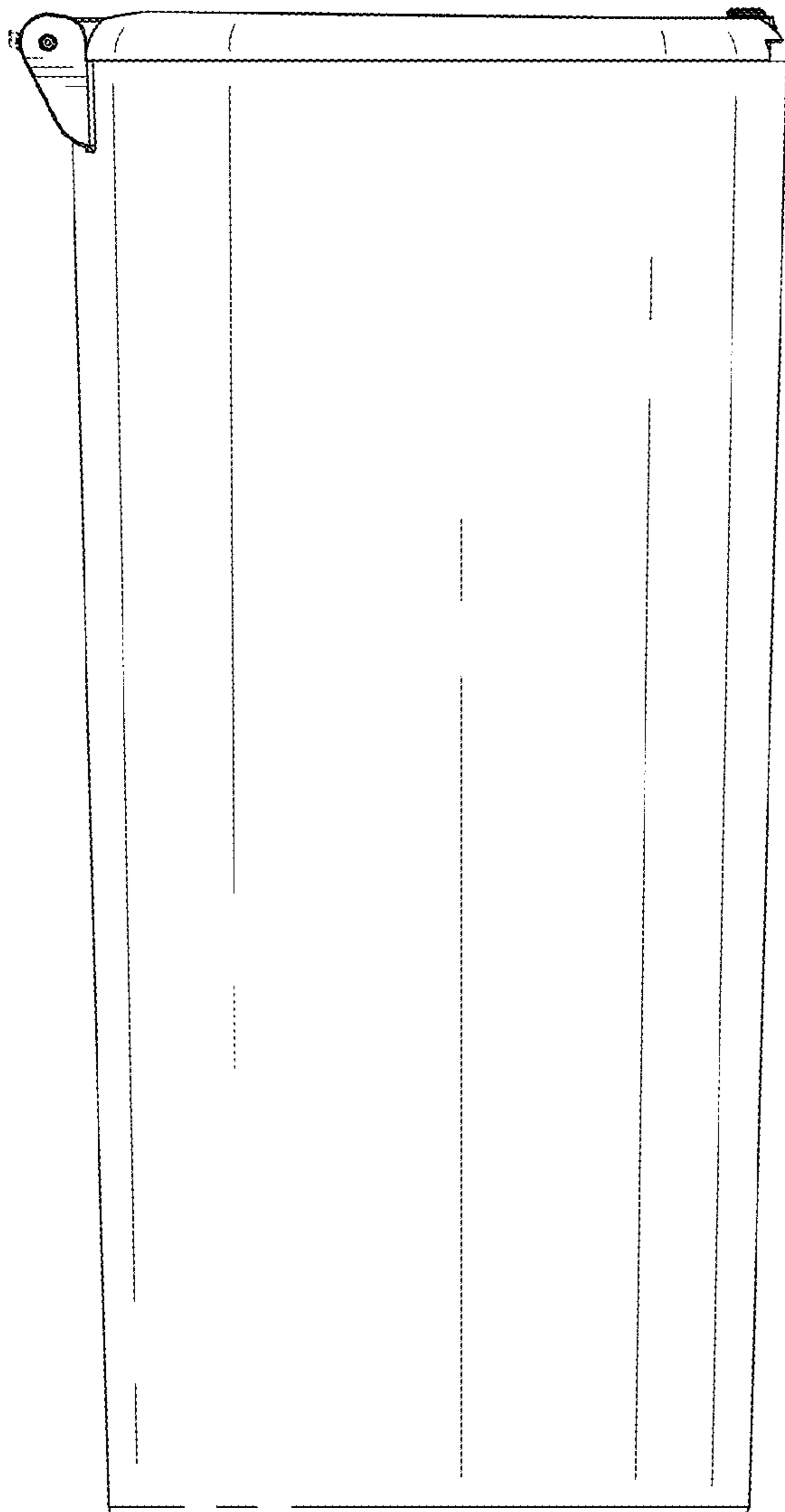


FIG. 6

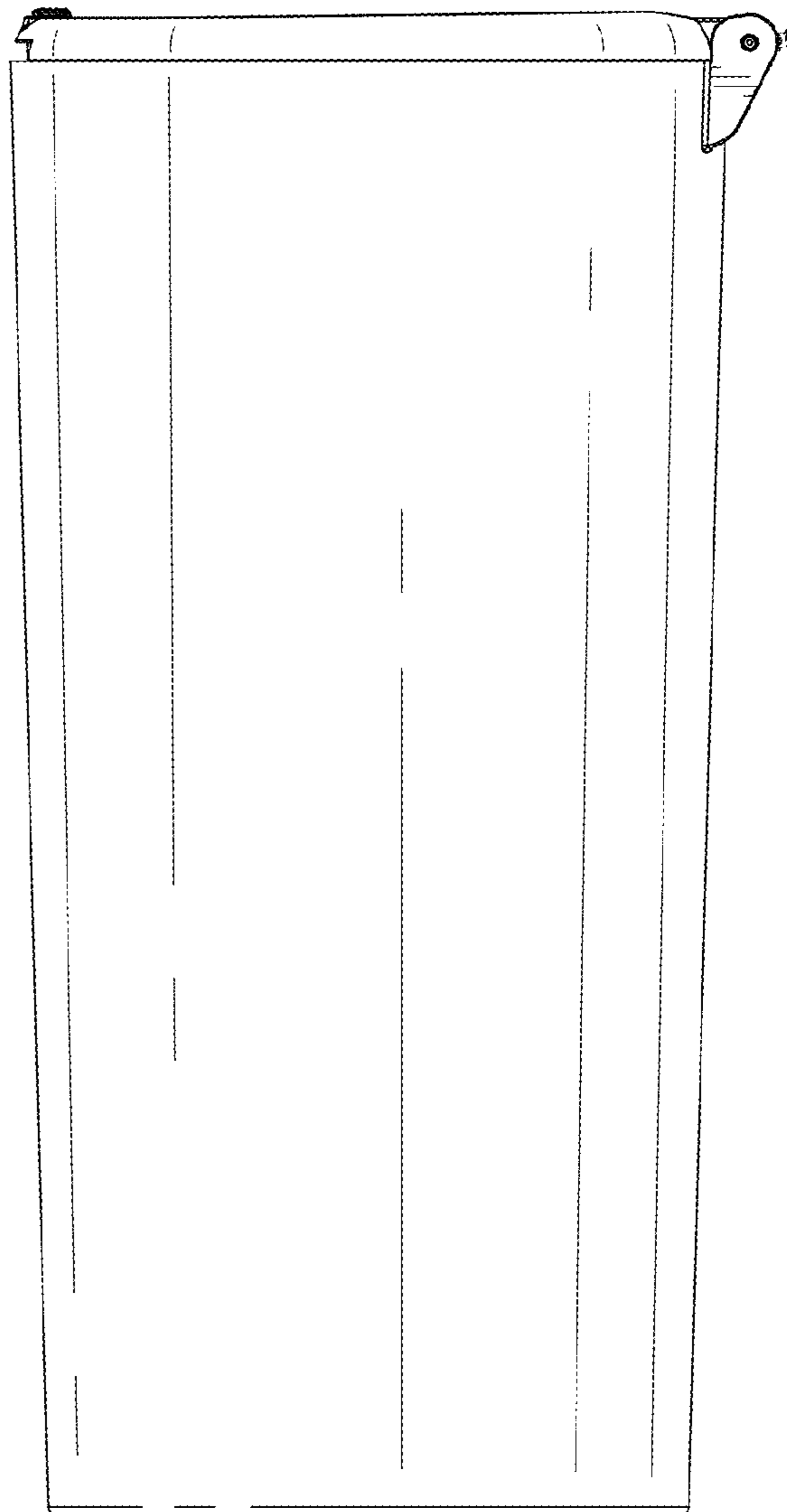


FIG. 7

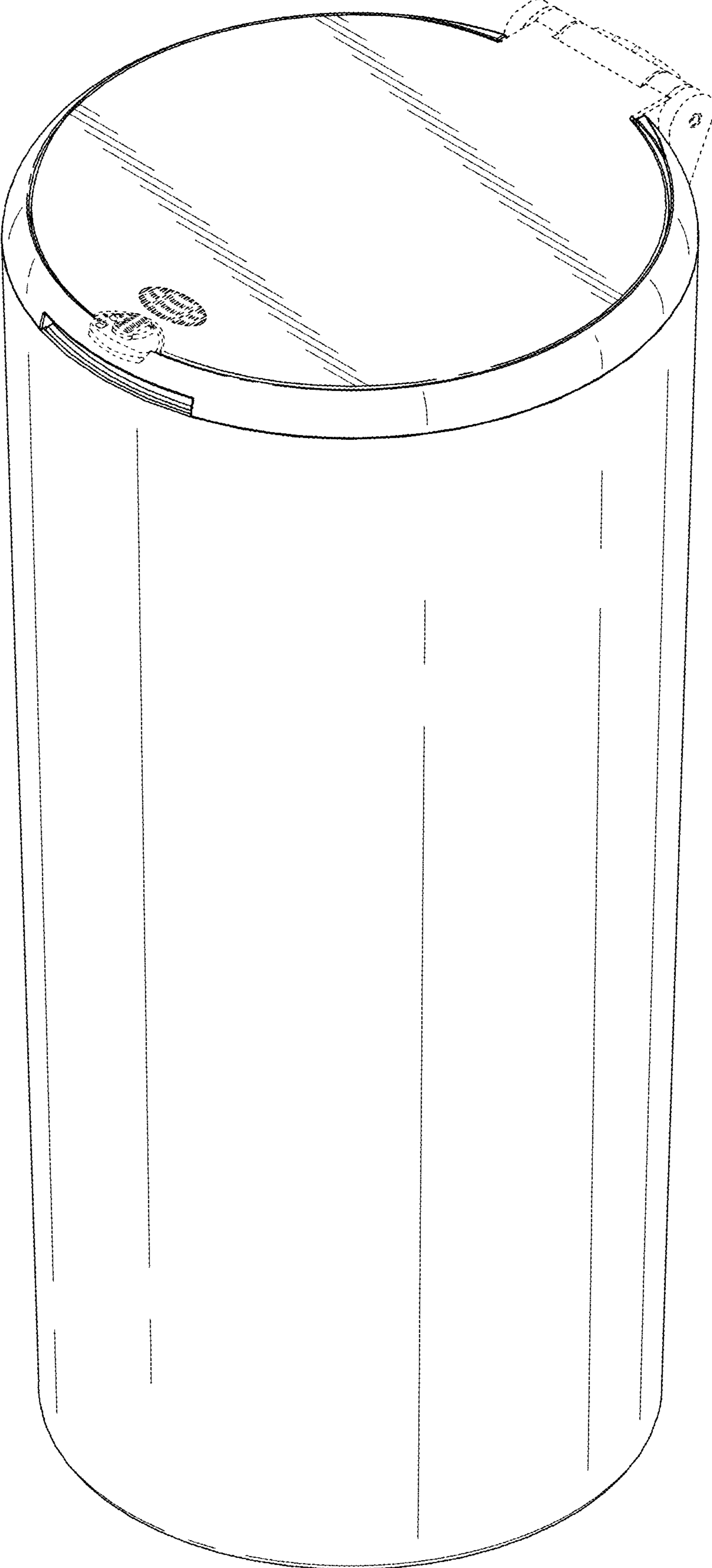


FIG. 8

FIG. 9

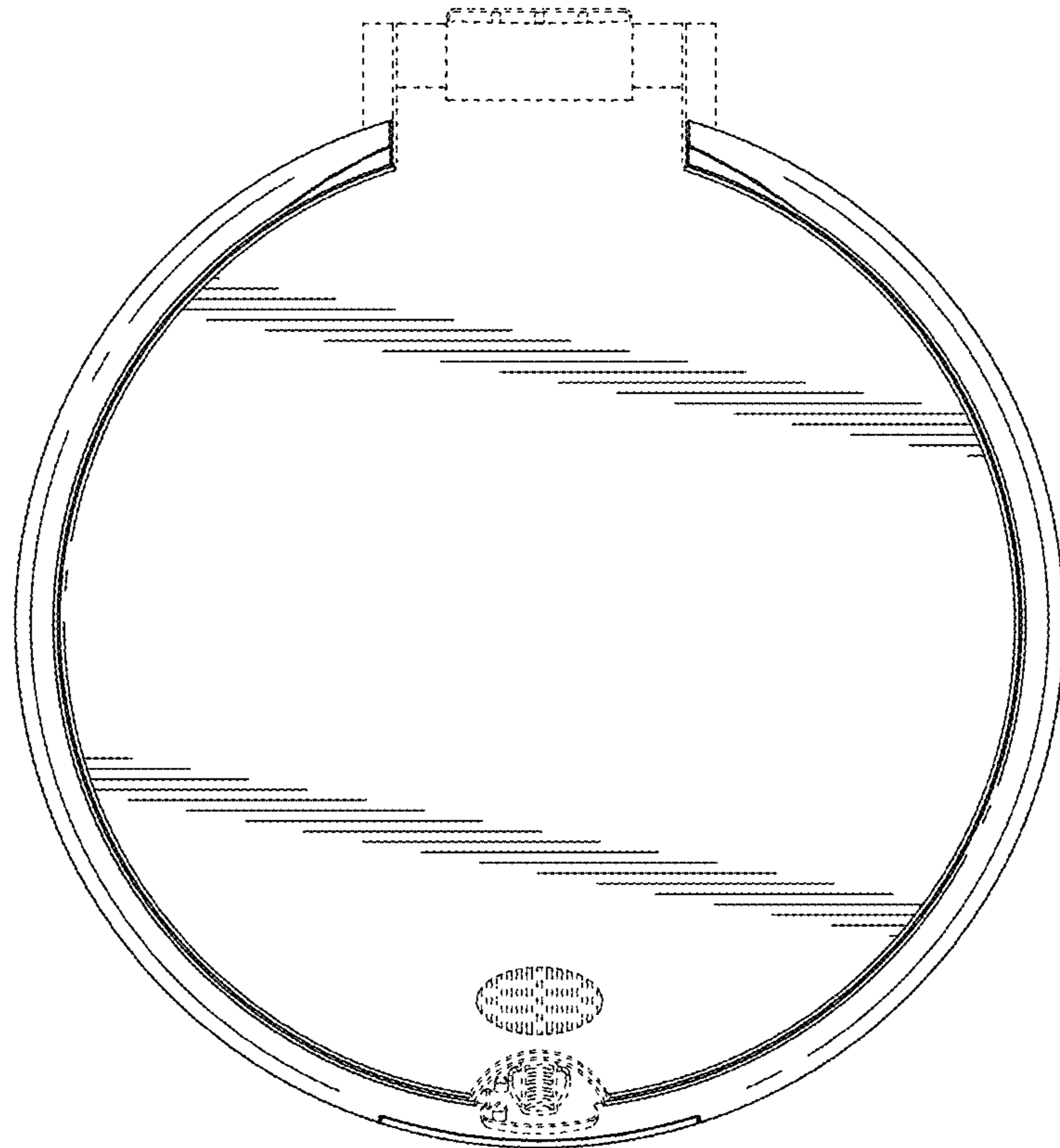
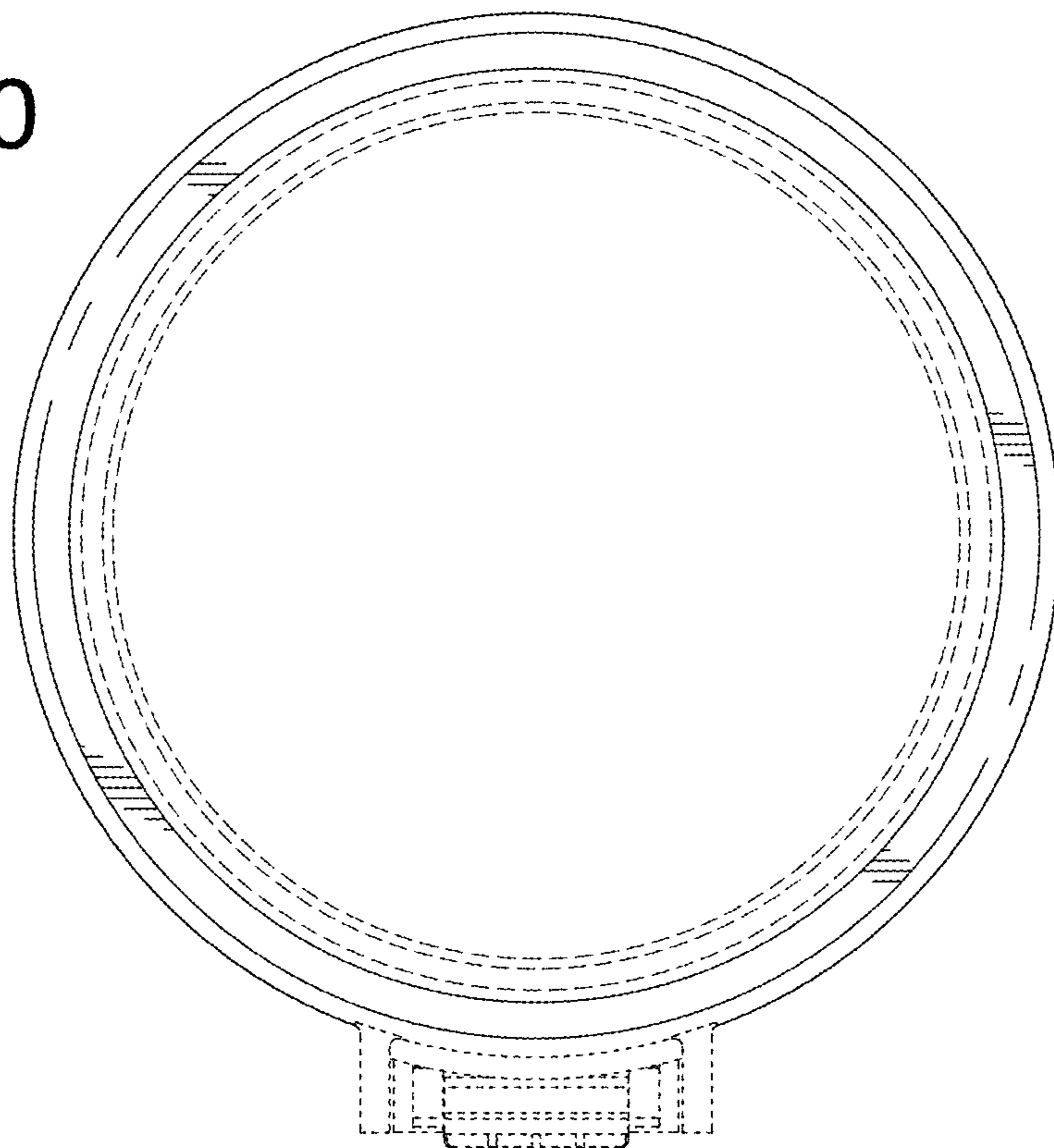


FIG. 10



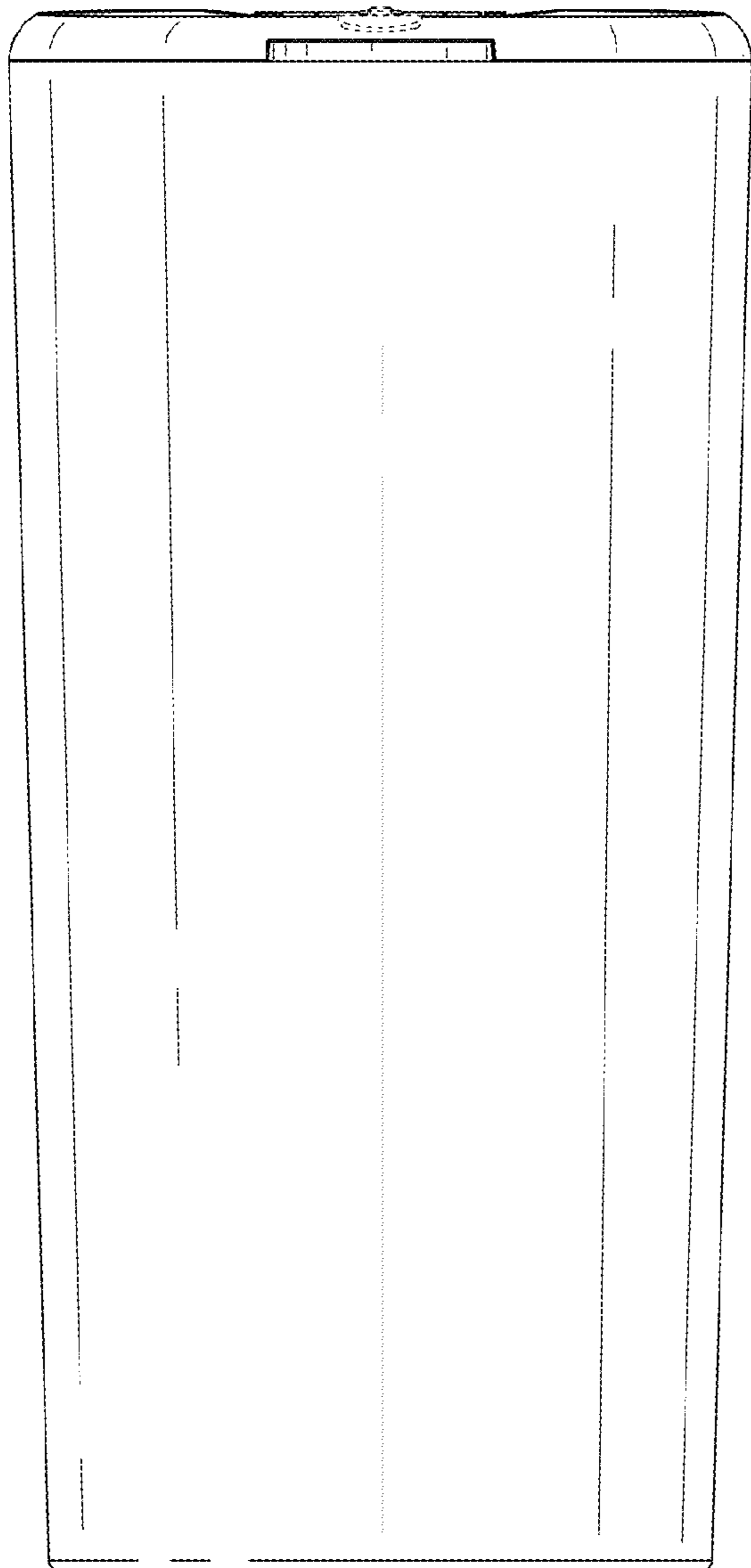


FIG. 11

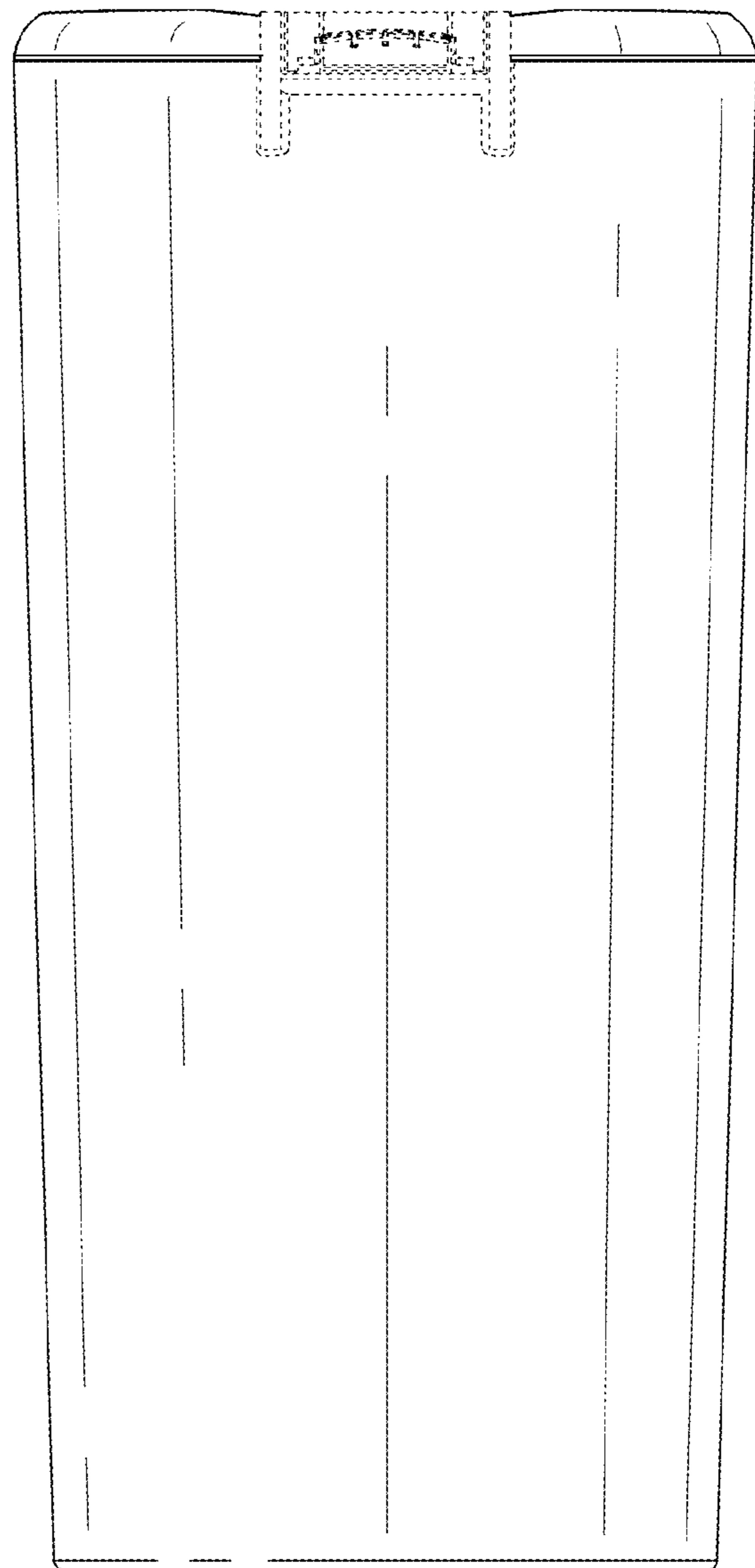


FIG. 12

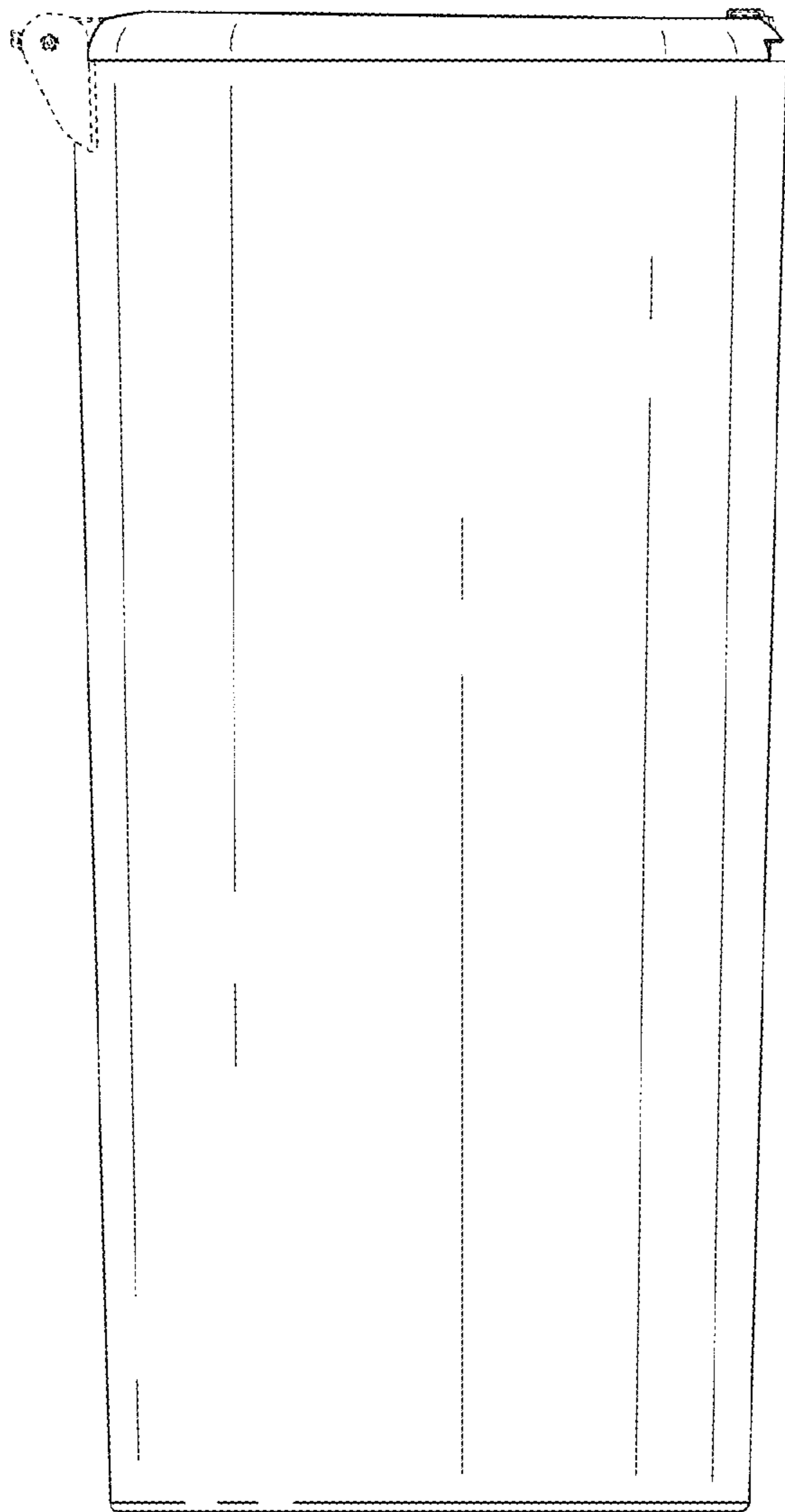


FIG. 13

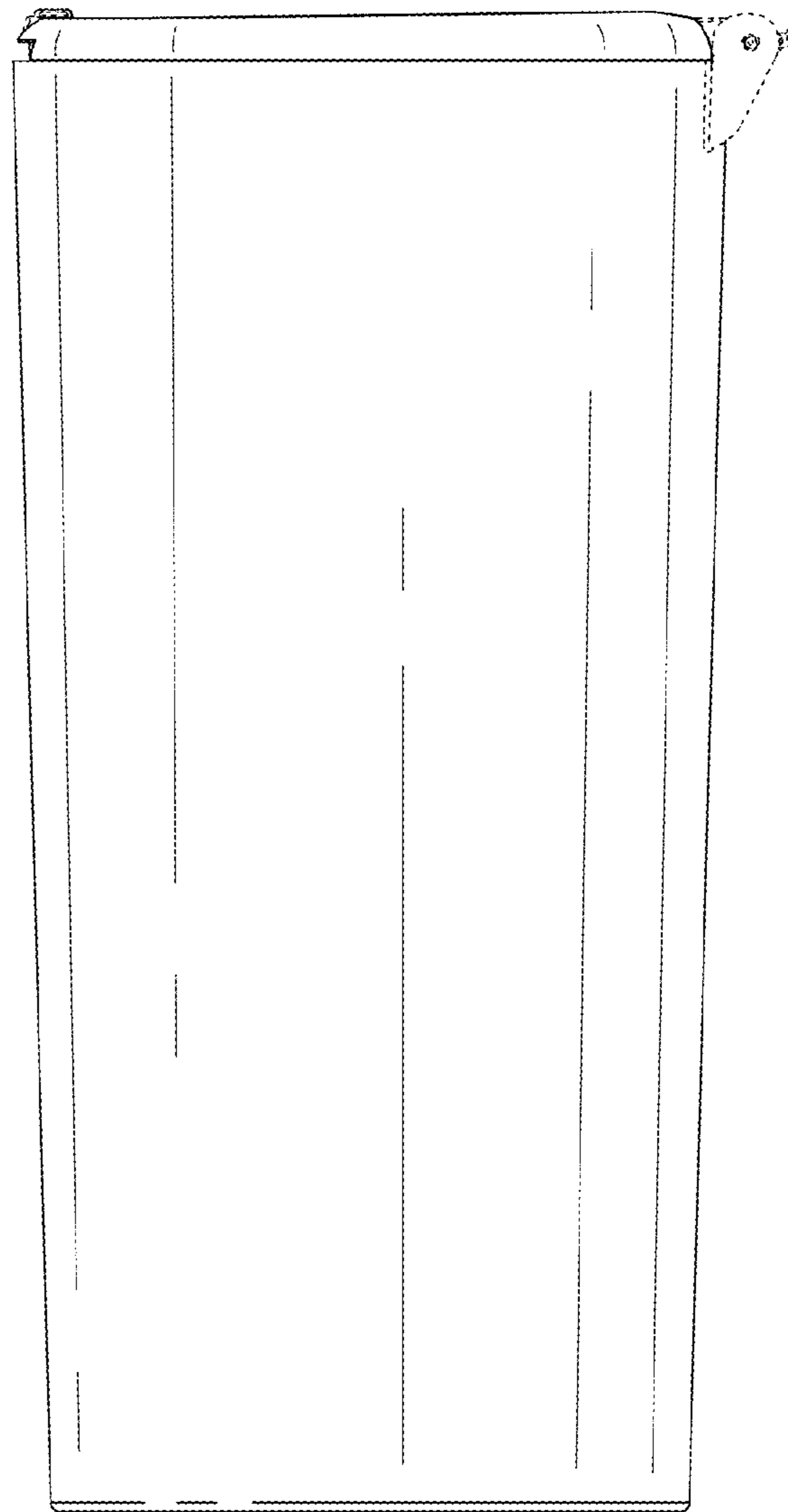


FIG. 14