



US00D895916S

(12) **United States Design Patent** (10) **Patent No.:** **US D895,916 S**
Exley (45) **Date of Patent:** **** Sep. 8, 2020**

(54) **VACUUM ATTACHMENT**
(71) Applicant: **Ontel Products Corporation**, Fairfield, NJ (US)

7,036,184 B2 5/2006 Kim
D548,906 S * 8/2007 Frederick D32/40
7,653,960 B2 * 2/2010 Lee A46B 7/023
15/184

(Continued)

(72) Inventor: **Ross Exley**, Morristown, NJ (US)

FOREIGN PATENT DOCUMENTS

(73) Assignee: **ONTEL PRODUCTS CORPORATION**, Fairfield, NJ (US)

DE 102015113868 A1 2/2017
EM 003466127-0001 * 11/2016

(Continued)

(**) Term: **15 Years**

OTHER PUBLICATIONS

(21) Appl. No.: **29/634,240**

Bristle Badger Review (on-line), dated Feb. 22, 2017. Retrieved from Internet Mar. 27, 2020, URL: <https://web.archive.org/web/20170222155301/https://supplementpolice.com/bristle-badger/> (1 page) (Year: 2017).*

(22) Filed: **Jan. 19, 2018**

(51) **LOC (12) Cl.** **15-05**

(52) **U.S. Cl.**
USPC **D32/33**

(Continued)

(58) **Field of Classification Search**
USPC D32/31, 25, 32, 33, 34; 15/397; D4/120
CPC A47L 5/22; A47L 5/24; A47L 5/34; A47L 5/36; A47L 7/0095; A47L 9/00; A47L 9/02; A47L 9/06; A47L 9/0606; A47L 9/0613; A47L 9/062; A47L 9/248; A47L 5/28; A47L 9/16; A47L 9/1666; A47L 9/2852

See application file for complete search history.

Primary Examiner — Kevin K Rudzinski
Assistant Examiner — Kimberly Barnes
(74) *Attorney, Agent, or Firm* — Dickinson Wright PLLC

(57) **CLAIM**

The ornamental design for a vacuum attachment, as shown and described.

DESCRIPTION

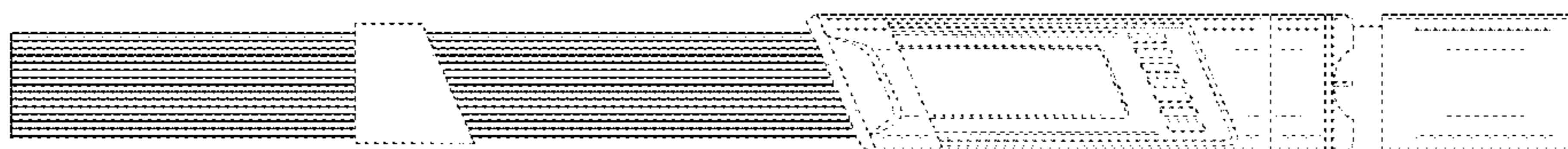
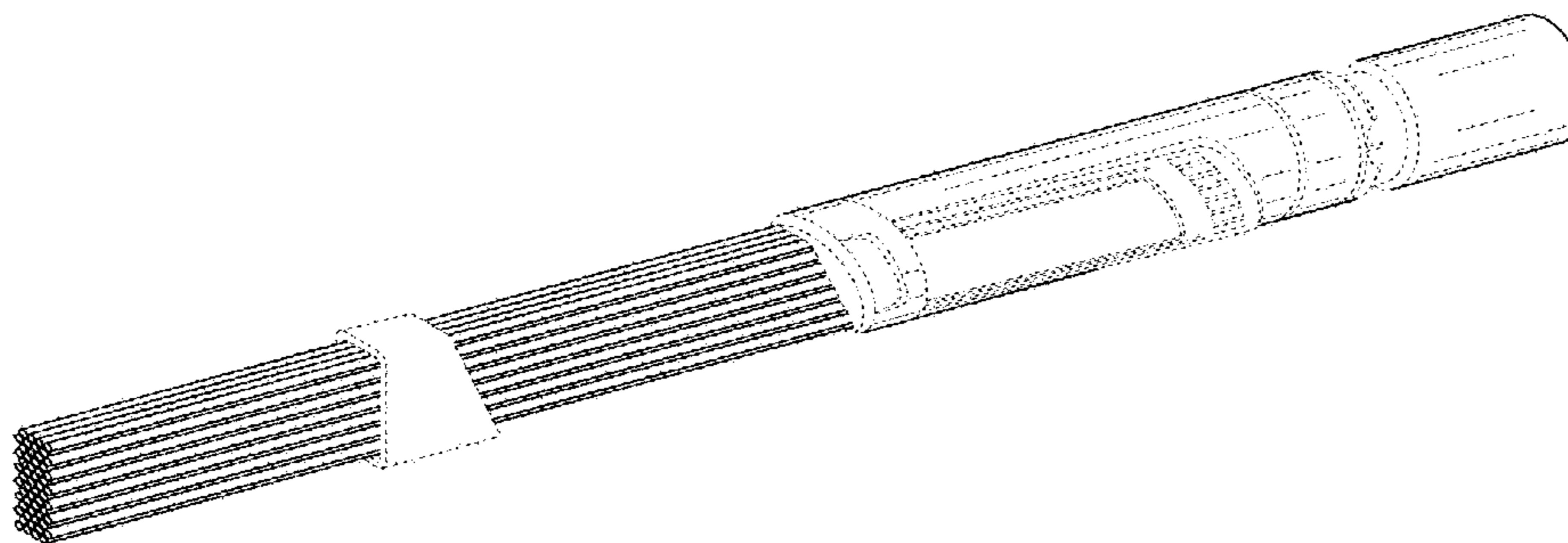
(56) **References Cited**

U.S. PATENT DOCUMENTS

D273,146 S * 3/1984 Farr D32/31
5,060,341 A * 10/1991 Nelle A47L 5/24
15/314
5,345,651 A * 9/1994 Roberts A47L 9/06
15/397
6,484,357 B1 11/2002 Dong
D474,032 S * 5/2003 Jorgensen D4/119
6,820,305 B2 * 11/2004 Albert A47L 9/06
15/398
6,964,941 B2 * 11/2005 Argentieri C11D 1/004
510/175
D513,101 S * 12/2005 Allard D32/32

FIG. 1 is a perspective view of a vacuum attachment showing my new design;
FIG. 2 is a left side view of the vacuum attachment;
FIG. 3 is a top view of the vacuum attachment;
FIG. 4 is a bottom view of the vacuum attachment;
FIG. 5 is a right side view of the vacuum attachment that is a mirror image of the left side view as shown in FIG. 2;
FIG. 6 is front view of the vacuum attachment; and,
FIG. 7 is back view of the vacuum attachment.
The broken lines in FIGS. 1-7 depict portions of the vacuum attachment that form no part of the claimed design.

1 Claim, 2 Drawing Sheets



(56)

References Cited

U.S. PATENT DOCUMENTS

D616,204	S	*	5/2010	Zemel	D4/114
D621,566	S	*	8/2010	Crawley	D32/33
D623,810	S	*	9/2010	Breit	D32/25
D640,471	S	*	6/2011	Lin	D4/120
D648,088	S	*	11/2011	Raven	D32/40
D656,695	S	*	3/2012	Crawley	D32/33
D659,923	S	*	5/2012	Dyson	D32/33
D697,316	S	*	1/2014	Schouten	D4/120
D723,228	S	*	2/2015	Luglan	D32/18
9,265,391	B2	*	2/2016	Walker	A47L 5/14
D764,125	S	*	8/2016	Palladino	D32/33
D811,673	S	*	2/2018	Nam	D32/23
10,258,209	B2	*	4/2019	Song	B01D 46/2403
D867,764	S	*	11/2019	Stubbs	D4/115

FOREIGN PATENT DOCUMENTS

EM	003466127-0002	*	11/2016
EM	005508207-0001	*	7/2018

OTHER PUBLICATIONS

Dust Daddy Review (on-line), dated Mar. 6, 2018. Retrieved from Internet Mar. 26, 2020, URL: <https://www.youtube.com/watch?v=Q2DP3KUIVvQ> (1 page) (Year: 2018).*

Dusty-Brush video (on-line), dated Oct. 26, 2016. Retrieved from Internet Mar. 27, 2020, URL: <https://gfycat.com/flashysardonicamberpenshell-brushybrushy-cat> (1 page) (Year: 2016).*

Dusty-Brush (on-line), no date available. Retrieved from Internet Mar. 27, 2020, URL: <https://www.kickstarter.com/projects/885698542/dusty-brush-the-new-way-to-clean-0> (39 pages).*

Freakin Reviews—Dust Daddy (on-line), dated Jun. 14, 2017. Retrieved from Internet Mar. 27, 2020, URL: <http://web.archive.org/20170614092012/http://freakinreviews.com/dust-daddy-reveiw/> (3 pages) (Year: 2017).*

* cited by examiner

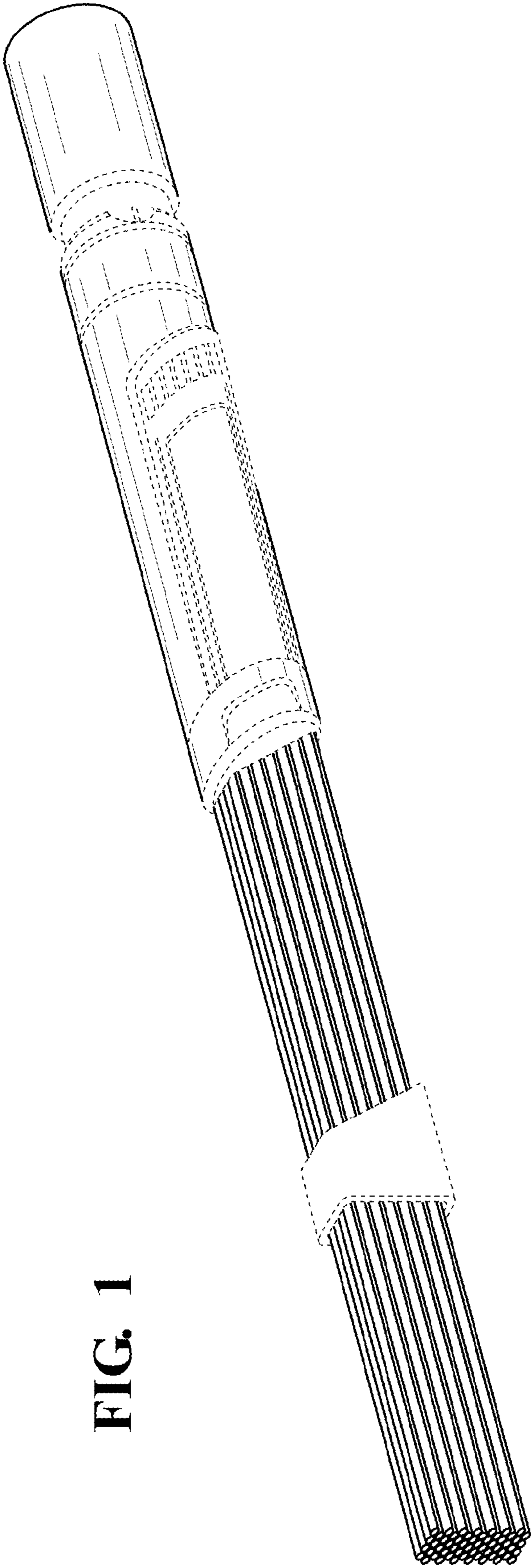
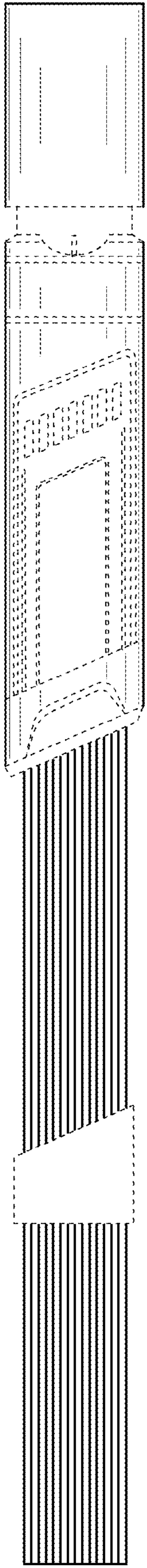


FIG. 1

FIG. 2



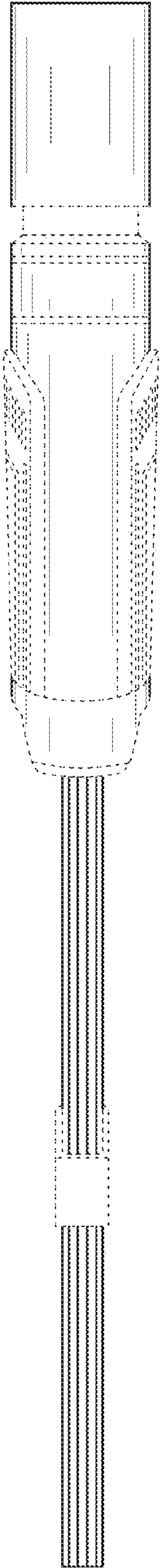


FIG. 3

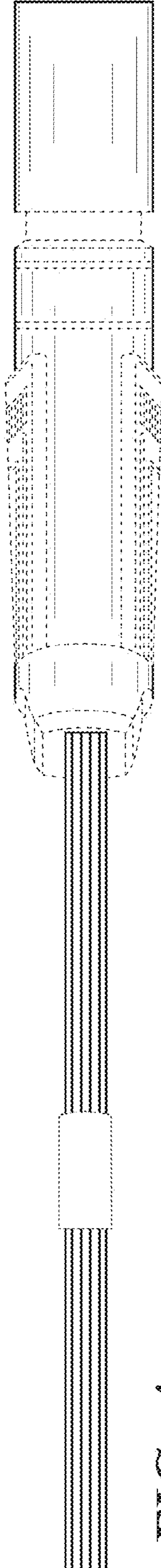


FIG. 4

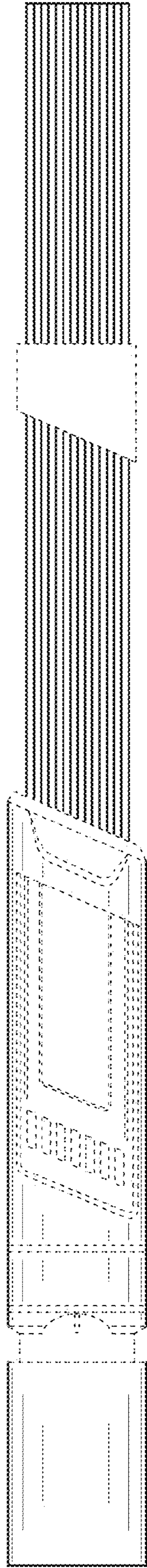


FIG. 5

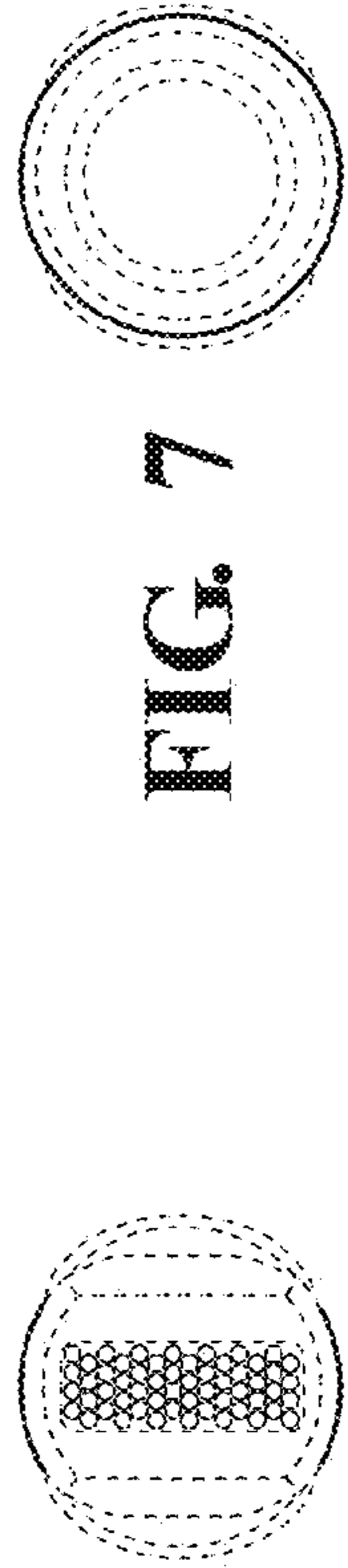


FIG. 6

FIG. 7