



US00D895914S

(12) **United States Design Patent** (10) **Patent No.:** **US D895,914 S**  
**Blumer et al.** (45) **Date of Patent:** **\*\* Sep. 8, 2020**

(54) **VACUUM SYSTEM**  
(71) Applicant: **The Charles Machine Works, Inc.**,  
Perry, OK (US)  
(72) Inventors: **B. Zac Blumer**, Stillwater, OK (US);  
**Benjamin S. Burkhart**, Stillwater, OK  
(US); **L. Shane Ingram**, Perry, OK  
(US); **Levi J. Krutzfeldt**, Perry, OK  
(US); **Jim Lee**, Yale, OK (US)

2,639,601 A 5/1953 Miller  
2,734,656 A 2/1956 Schonfeld  
2,816,683 A 12/1957 Miers et al.  
2,823,825 A 2/1958 Coffman  
2,867,329 A 1/1959 Miller  
2,927,787 A 3/1960 Maher  
3,195,761 A 7/1965 Coates  
3,311,255 A 3/1967 Loveless  
3,540,618 A 11/1970 Jakobsen  
3,628,687 A 12/1971 Townsend  
3,713,472 A 1/1973 Dozois  
3,768,203 A 10/1973 Bellucci

(Continued)

(73) Assignee: **The Charles Machine Works, Inc.**,  
Perry, OK (US)

(\*\*) Term: **15 Years**

(21) Appl. No.: **29/637,279**

(22) Filed: **Feb. 15, 2018**

(51) **LOC (12) Cl.** ..... **15-05**

(52) **U.S. Cl.**  
USPC ..... **D32/21**

(58) **Field of Classification Search**  
USPC ..... D32/15-18, 21-22, 31, 34  
CPC ..... A47L 5/24; A47L 5/28; A47L 5/34; A47L  
5/362; A47L 5/36; A47L 11/34; A47L  
9/325; A47L 9/20; A47L 9/02; A47L  
9/32; A47L 9/322; A47L 9/327; A47L  
7/0038

See application file for complete search history.

(56) **References Cited**

**U.S. PATENT DOCUMENTS**

187,768 A 2/1877 Munzinger  
522,137 A 6/1894 Walker  
1,287,290 A 12/1918 Golden  
1,311,009 A 7/1919 Rinehimer  
1,944,976 A 1/1934 Hamilton  
2,264,216 A 11/1941 Milligan  
2,352,192 A 6/1944 Gasche  
2,556,354 A 6/1951 Williamson et al.  
2,639,144 A 5/1953 Long

**OTHER PUBLICATIONS**

Vac-Tron Equipment, LLC, "Vac-Tron Equipment The Industry  
Innovator", catalog pages, Feb. 2017, 2 pages.

(Continued)

*Primary Examiner* — Michelle E. Wilson

(74) *Attorney, Agent, or Firm* — Tomlinson McKinstry,  
P.C.

(57) **CLAIM**

The ornamental design for a vacuum system, as shown and  
described.

**DESCRIPTION**

FIG. 1 is a front right perspective view of a vacuum system,  
showing our design.

FIG. 2 is a front left perspective view thereof.

FIG. 3 is a rear right perspective view thereof.

FIG. 4 is a rear left perspective view thereof.

FIG. 5 is a right side elevation view thereof.

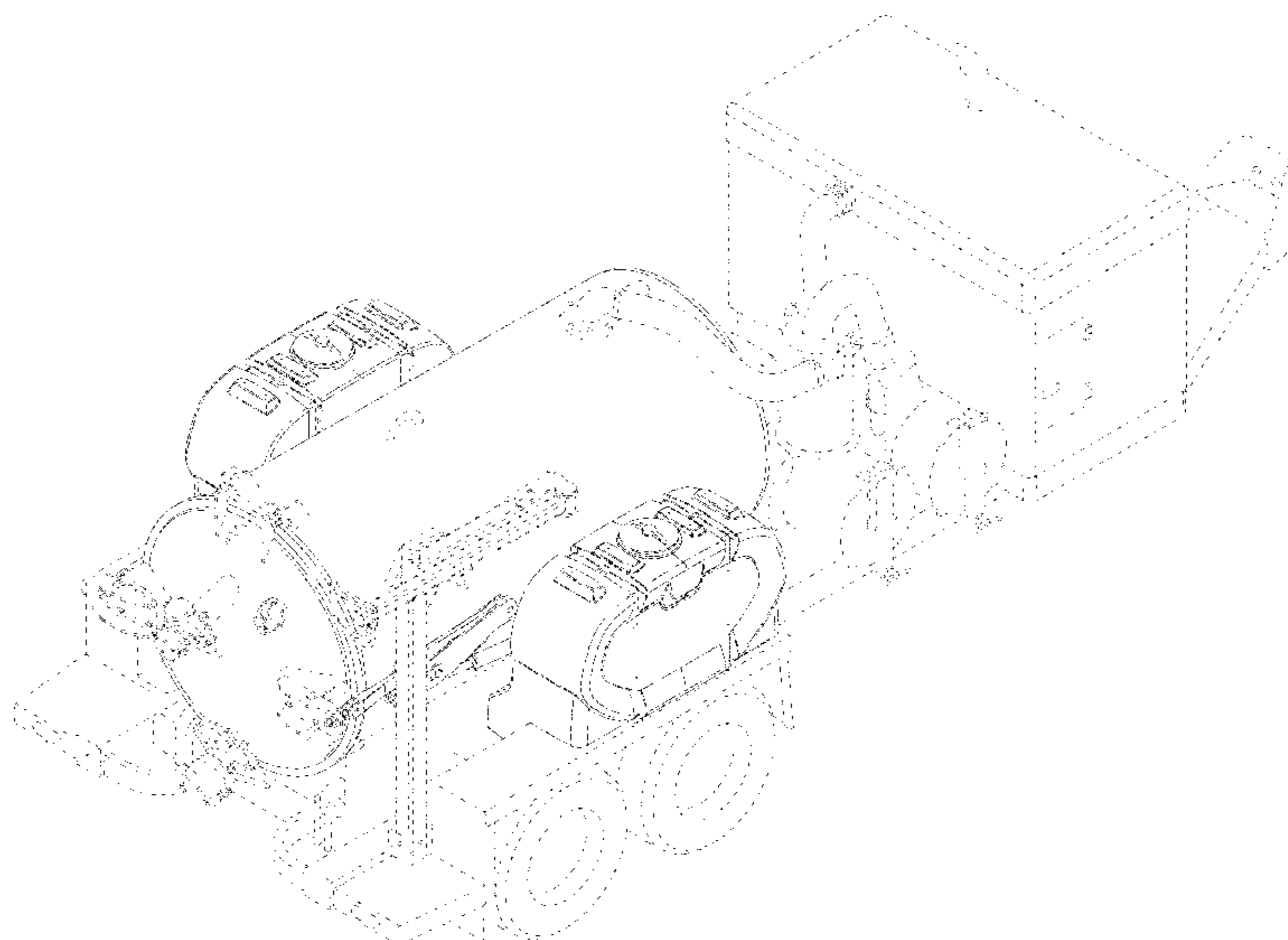
FIG. 6 is a left side elevation view thereof.

FIG. 7 is a front elevation view thereof; and,

FIG. 8 is a top plan view thereof.

The broken line showing of elements is included for the  
purposes of illustrating portions of the vacuum system and  
form no part of the claimed design.

**1 Claim, 8 Drawing Sheets**



(56)

References Cited

U.S. PATENT DOCUMENTS

3,841,676 A 10/1974 Hover  
 3,860,142 A 1/1975 Jurges  
 3,888,045 A 6/1975 Piegza  
 3,924,778 A 12/1975 Sorensen  
 4,017,281 A 4/1977 Johnstone  
 4,119,238 A 10/1978 Ja'afar et al.  
 4,135,640 A 1/1979 MacQuilkin et al.  
 4,155,586 A 5/1979 Flynn  
 4,199,837 A 4/1980 Fisco, Jr.  
 D255,357 S \* 6/1980 Brooks ..... D32/23  
 4,222,404 A 9/1980 Flynn  
 4,307,541 A 12/1981 Farmer et al.  
 4,334,633 A 6/1982 Piegza  
 4,518,095 A 5/1985 Engwert  
 4,566,375 A 1/1986 van der Schoot  
 4,644,874 A 2/1987 Kleykamp  
 4,669,628 A 6/1987 Hatta  
 4,690,070 A 9/1987 Miller  
 4,922,571 A 5/1990 Driear  
 5,016,717 A 5/1991 Simons et al.  
 5,021,156 A 6/1991 Sloan  
 5,089,037 A \* 2/1992 Marsolais ..... A47L 5/36  
 15/323  
 5,092,963 A 3/1992 Barker et al.  
 5,096,472 A \* 3/1992 Perry ..... A47L 9/102  
 55/350.1  
 5,103,592 A 4/1992 Janitzky  
 5,141,528 A 8/1992 Boczkiewicz et al.  
 5,191,993 A 3/1993 Wanger et al.  
 5,199,963 A \* 4/1993 Scarp ..... A47L 9/181  
 55/320  
 5,299,370 A 4/1994 Gyori et al.  
 5,366,317 A 11/1994 Solimar  
 5,394,650 A 3/1995 Dean  
 D374,749 S \* 10/1996 Burke ..... D32/21  
 5,596,788 A 1/1997 Linville et al.  
 5,700,043 A 12/1997 Rohard et al.  
 5,791,073 A 8/1998 Palmer et al.  
 5,919,421 A 7/1999 Monz et al.  
 5,937,581 A 8/1999 Matye et al.  
 5,960,980 A 10/1999 Burke et al.  
 6,007,270 A 12/1999 Bowman  
 6,050,199 A 4/2000 Anderson et al.  
 6,055,775 A 5/2000 Dering et al.  
 6,109,823 A 8/2000 Halferty et al.  
 6,182,952 B1 2/2001 Guitierrez  
 6,283,749 B1 \* 9/2001 Bernard, Jr. .... F27B 17/0083  
 373/112  
 6,293,051 B1 9/2001 Matye  
 6,385,867 B1 5/2002 Slabach et al.  
 6,386,598 B1 5/2002 Dykstra et al.  
 6,391,258 B1 5/2002 Peake  
 6,438,792 B1 8/2002 Cappellotto  
 6,407,605 B1 10/2002 Gilman et al.  
 6,615,849 B1 9/2003 Gilman et al.

6,966,724 B2 11/2005 Robinson  
 D534,697 S \* 1/2007 Reick-Mitrisin ..... D32/21  
 7,255,039 B2 8/2007 Halliday et al.  
 D566,912 S \* 4/2008 Reick-Mitrisin ..... D32/21  
 7,451,521 B2 11/2008 Cappellotto  
 7,712,181 B2 5/2010 Riach  
 7,802,694 B2 9/2010 Lee  
 7,837,050 B2 11/2010 Maybury, Jr.  
 8,066,140 B1 11/2011 Young et al.  
 8,297,463 B2 10/2012 McQuaid et al.  
 8,360,260 B2 1/2013 Maybury, Jr.  
 8,540,103 B2 9/2013 Lollis et al.  
 8,596,697 B1 12/2013 Haibel  
 8,667,717 B2 3/2014 Maybury et al.  
 8,802,023 B1 8/2014 Lewis et al.  
 8,925,753 B2 1/2015 Maybury  
 9,057,180 B1 6/2015 Sewell  
 D794,881 S \* 8/2017 Bisson ..... D32/22  
 2002/0000748 A1 1/2002 Fuller et al.  
 2004/0108317 A1 6/2004 Buckner  
 2006/0000047 A1 \* 1/2006 Beechie ..... A47L 5/38  
 15/314  
 2006/0005346 A1 \* 1/2006 Rupp ..... A47L 5/36  
 15/327.5  
 2006/0150360 A1 \* 7/2006 Reick-Mitrisin ..... A47L 5/38  
 15/314  
 2006/0236499 A1 10/2006 Cappellotto  
 2008/0028688 A1 2/2008 Neuber  
 2010/0064649 A1 3/2010 Harada et al.  
 2010/0199454 A1 \* 8/2010 Pruitt ..... A47L 5/38  
 15/301  
 2010/0320204 A1 12/2010 Maybury, Jr.  
 2010/0325481 A1 12/2010 Dahan et al.  
 2011/0107548 A1 5/2011 Maybury, Jr.  
 2011/0296646 A1 12/2011 Showley  
 2013/0097933 A1 4/2013 Royer et al.  
 2013/0134163 A1 5/2013 Maybury, Jr.  
 2015/0151235 A1 \* 6/2015 Lehman ..... B01D 46/04  
 55/300  
 2015/0291350 A1 10/2015 Sewell et al.  
 2015/0308574 A1 10/2015 Kegler  
 2016/0122096 A1 \* 5/2016 Marosi ..... B65D 53/04  
 220/378  
 2016/0195095 A1 \* 7/2016 Cobbett ..... F04D 29/601  
 403/374.1  
 2017/0073169 A1 \* 3/2017 Turcotte ..... B65B 35/00  
 2017/0292306 A1 \* 10/2017 Sewell ..... E05F 1/1091  
 2018/0327999 A1 \* 11/2018 Bural ..... E02F 3/8816  
 2019/0264403 A1 \* 8/2019 Spierdijk ..... E01H 1/001

OTHER PUBLICATIONS

Vermeer, "Vermeer V25 & VX30 Gas Series Vacuums", catalog, 2013, undated, 6 pages.  
 The Charles Machine Works, Inc. "Trailer Vacuum Excavators", catalog, 2016, 11 pages.

\* cited by examiner

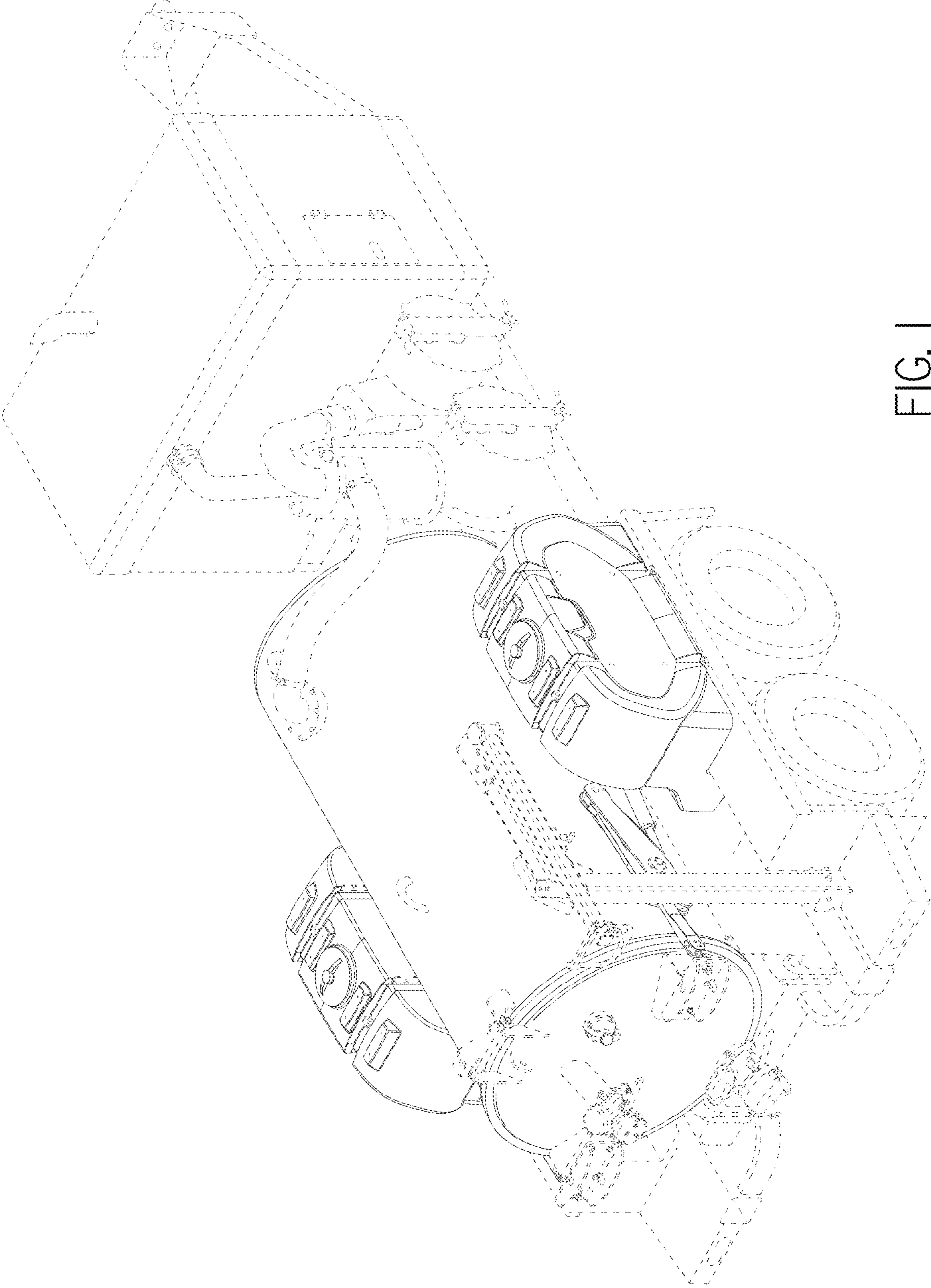


FIG. 1

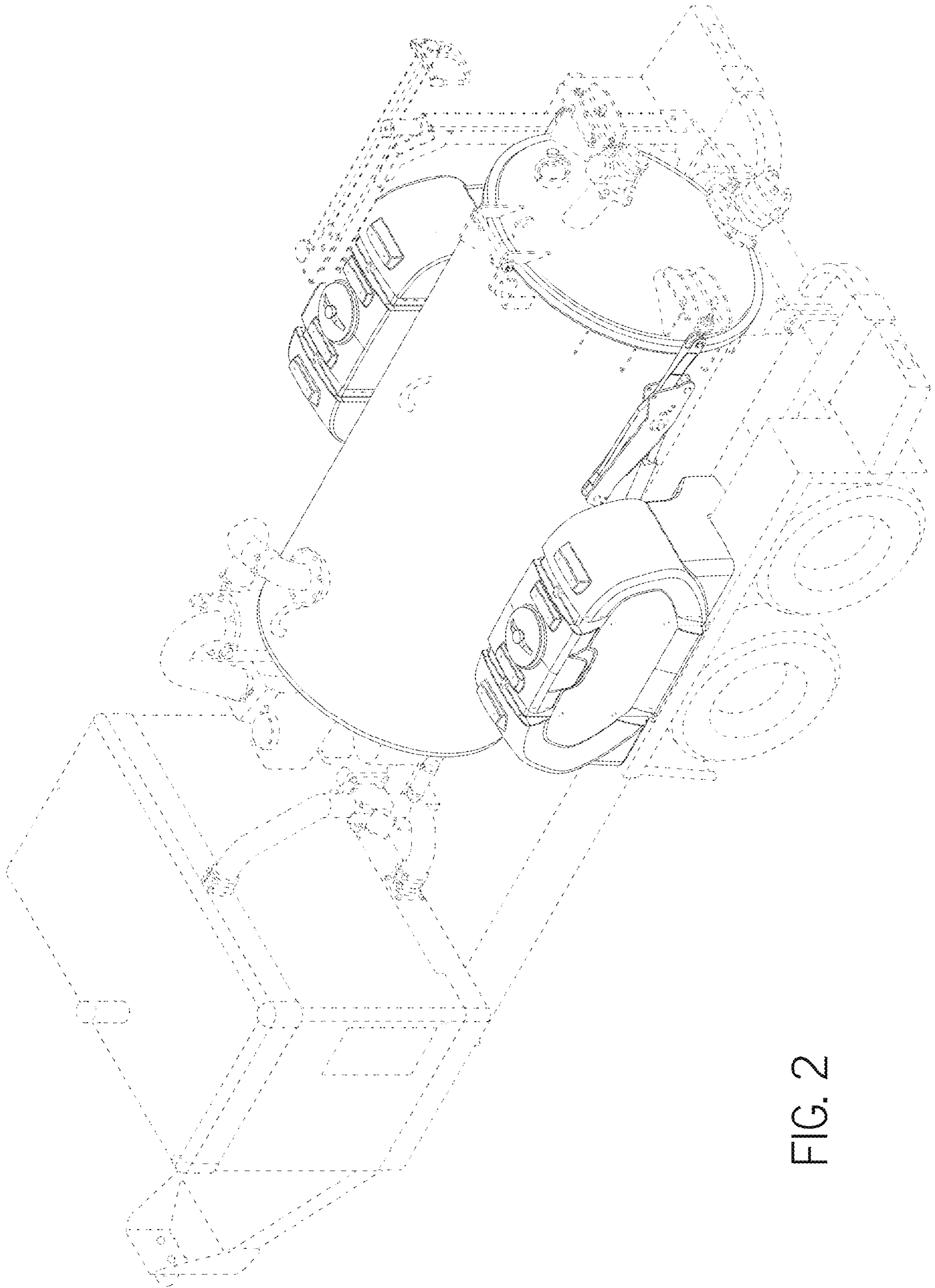


FIG. 2

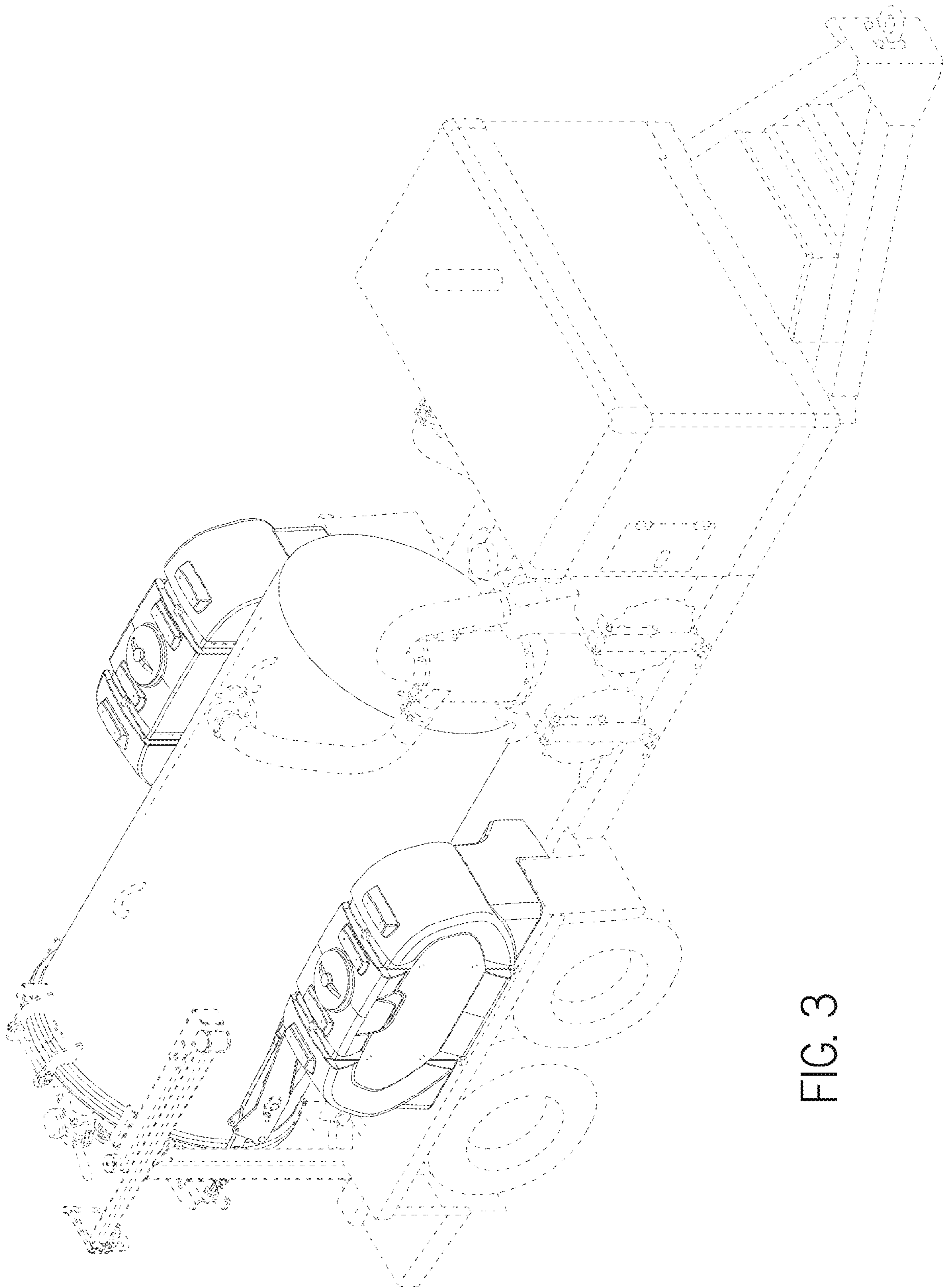


FIG. 3

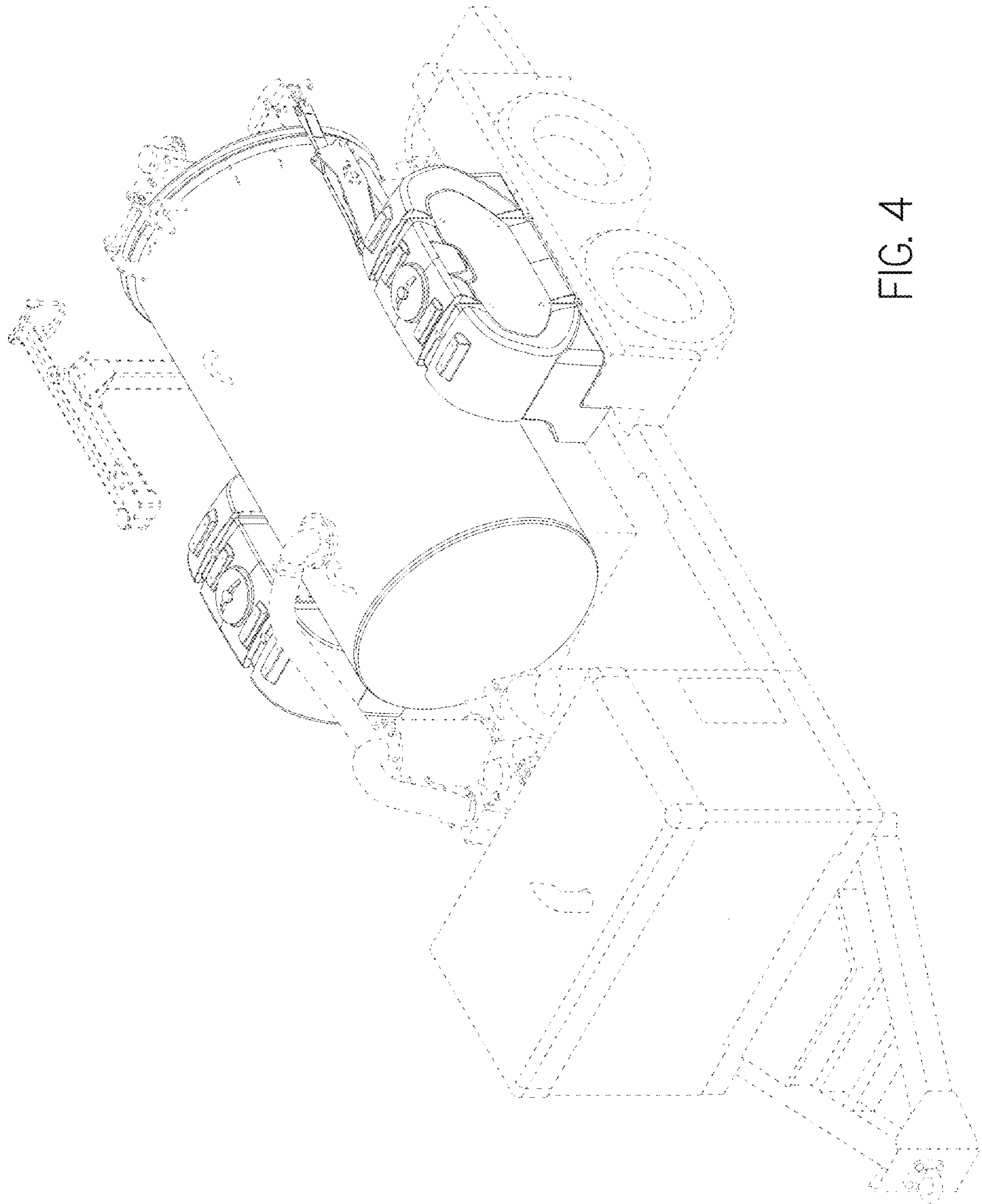


FIG. 4

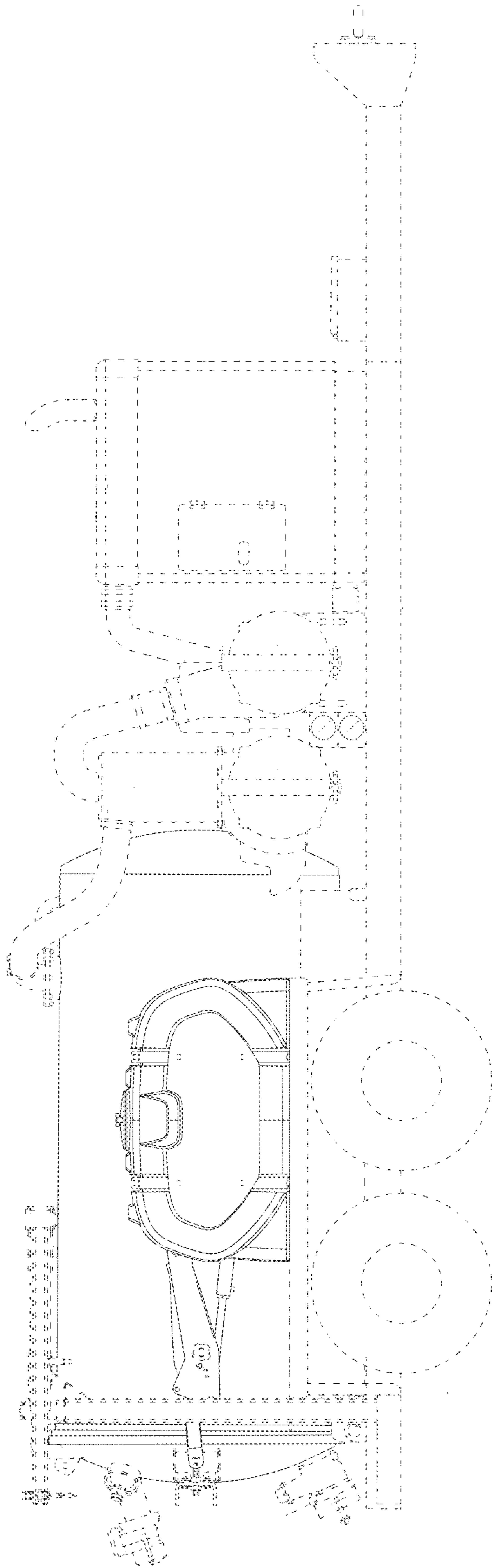


FIG. 5

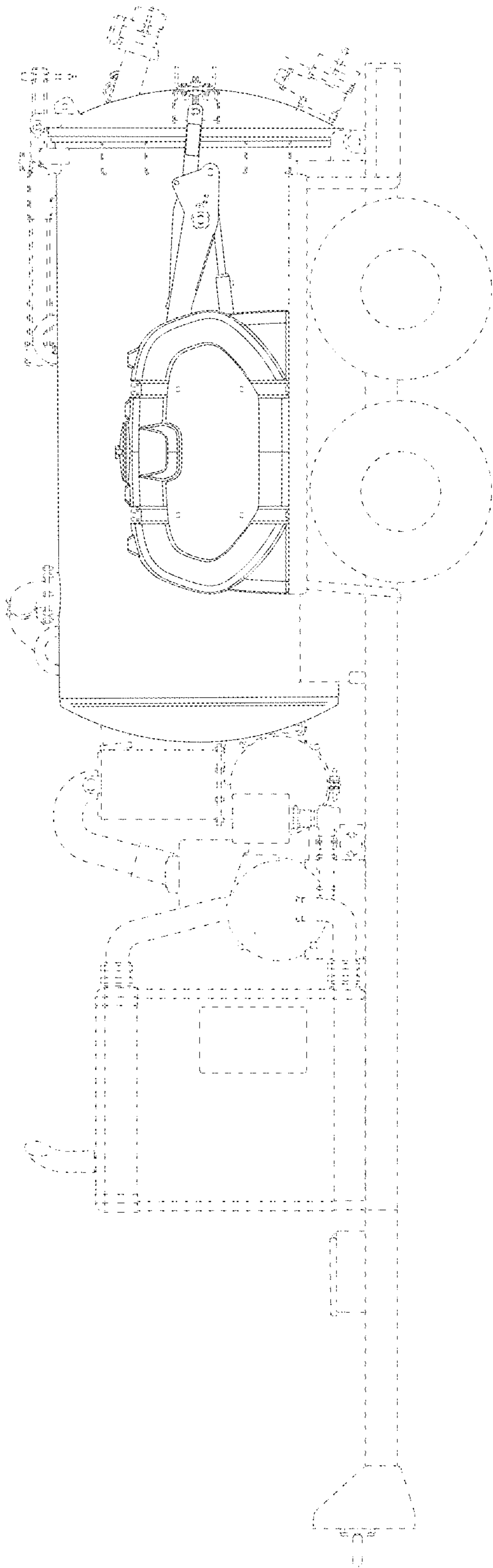


FIG. 6



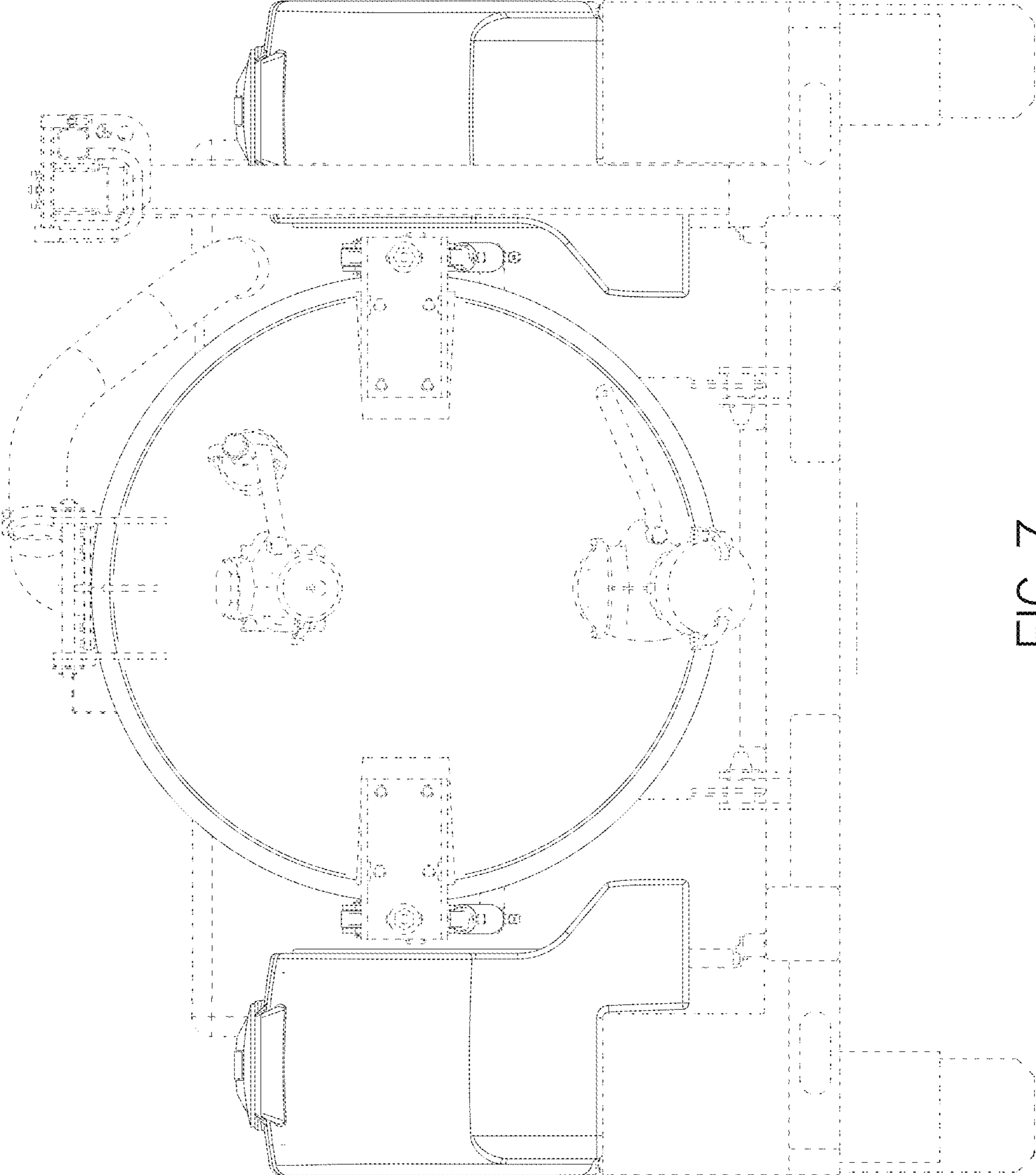


FIG. 7

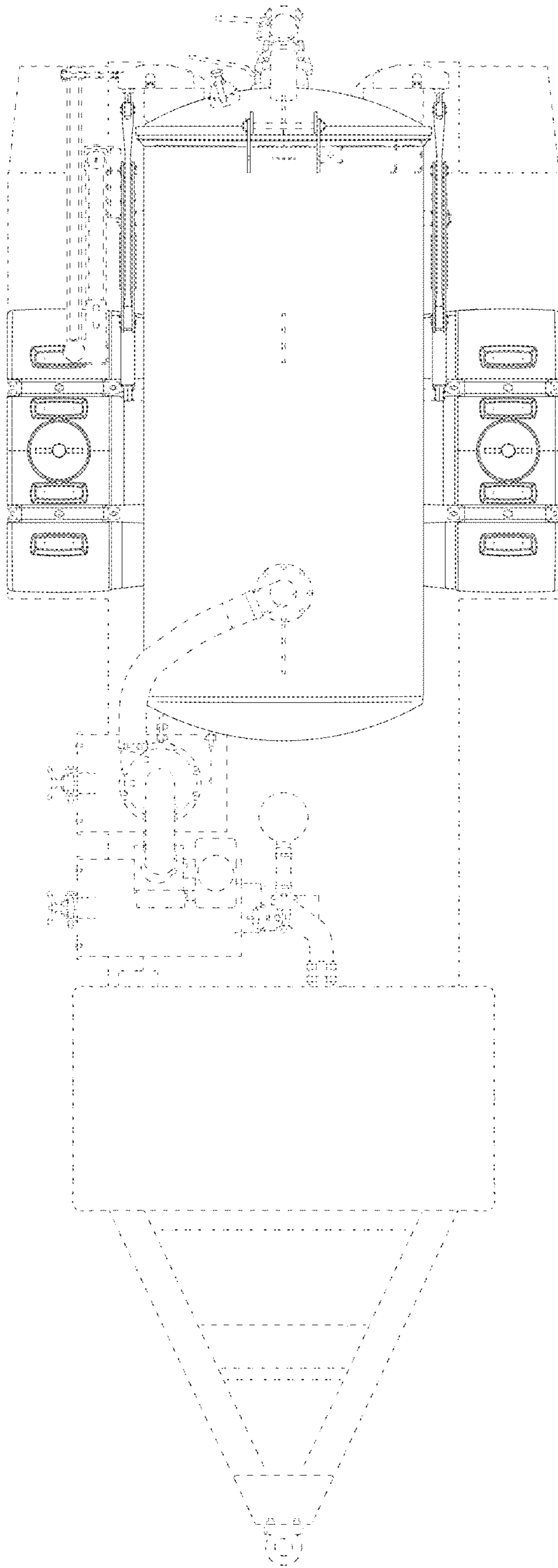


FIG. 8