



US00D895910S

(12) **United States Design Patent**
Wendling

(10) **Patent No.:** **US D895,910 S**

(45) **Date of Patent:** **** Sep. 8, 2020**

(54) **SCOOP**

D602,214 S * 10/2009 Petersen D30/162
D602,657 S * 10/2009 Petersen D30/162
D604,915 S 11/2009 Teper et al.

(Continued)

(71) Applicant: **Allan Wendling**, New Lothrop, MI
(US)

(72) Inventor: **Allan Wendling**, New Lothrop, MI
(US)

(**) Term: **15 Years**

(21) Appl. No.: **29/673,340**

(22) Filed: **Dec. 13, 2018**

(51) **LOC (12) Cl.** **30-99**

(52) **U.S. Cl.**
USPC **D30/162**

(58) **Field of Classification Search**
USPC D30/161, 162, 199; 119/166, 167, 168,
119/169, 170, 867; 209/419

See application file for complete search history.

(56) **References Cited**

U.S. PATENT DOCUMENTS

134,647 A	1/1873	Dean	
316,623 A	4/1885	Hooper	
D261,351 S	10/1981	Carper	
D292,261 S	10/1987	Mitton	
D314,254 S	1/1991	Gordon	
D332,675 S	1/1993	Simon	
D347,497 S	5/1994	VanSkiver	
5,775,258 A	7/1998	Larsen et al.	
D429,853 S	8/2000	Hammond	
D438,349 S	2/2001	Keller et al.	
D451,652 S	12/2001	Lewis, II et al.	
6,578,807 B1 *	6/2003	Lipscomb	A01K 1/0114 248/314
D480,519 S	10/2003	Firth	
D485,025 S	1/2004	Edwards et al.	
D533,975 S	12/2006	Kelly et al.	

OTHER PUBLICATIONS

“iPrimio Scoop Monster Cat Litter Scooper” available Mar. 23, 2019, [online], [site visited Mar. 25, 2020]. Retrieved from Internet, URL: https://www.amazon.com/iPrimio-Monster-Litter-Scooper-Handle/dp/B07K627Q6X/ref=cm_cr_ar_p_d_product_top (Year: 2019).*

(Continued)

Primary Examiner — Michael C Stout

Assistant Examiner — Katrina N Gonzalez

(74) *Attorney, Agent, or Firm* — Dinsmore & Shohl LLP

(57) **CLAIM**

The ornamental design for a scoop, as shown and described.

DESCRIPTION

FIG. 1 is a perspective view of a scoop according to my new design;

FIG. 2 is a top plan view thereof;

FIG. 3 is a bottom plan view thereof;

FIG. 4 is a left side view thereof;

FIG. 5 is a right side view thereof;

FIG. 6 is a front view thereof;

FIG. 7 is a rear view thereof;

FIG. 8 is another perspective view thereof, but shown with the broken line subject matter longer in length;

FIG. 9 is another top plan view thereof;

FIG. 10 is another bottom plan view thereof;

FIG. 11 is another left side view thereof;

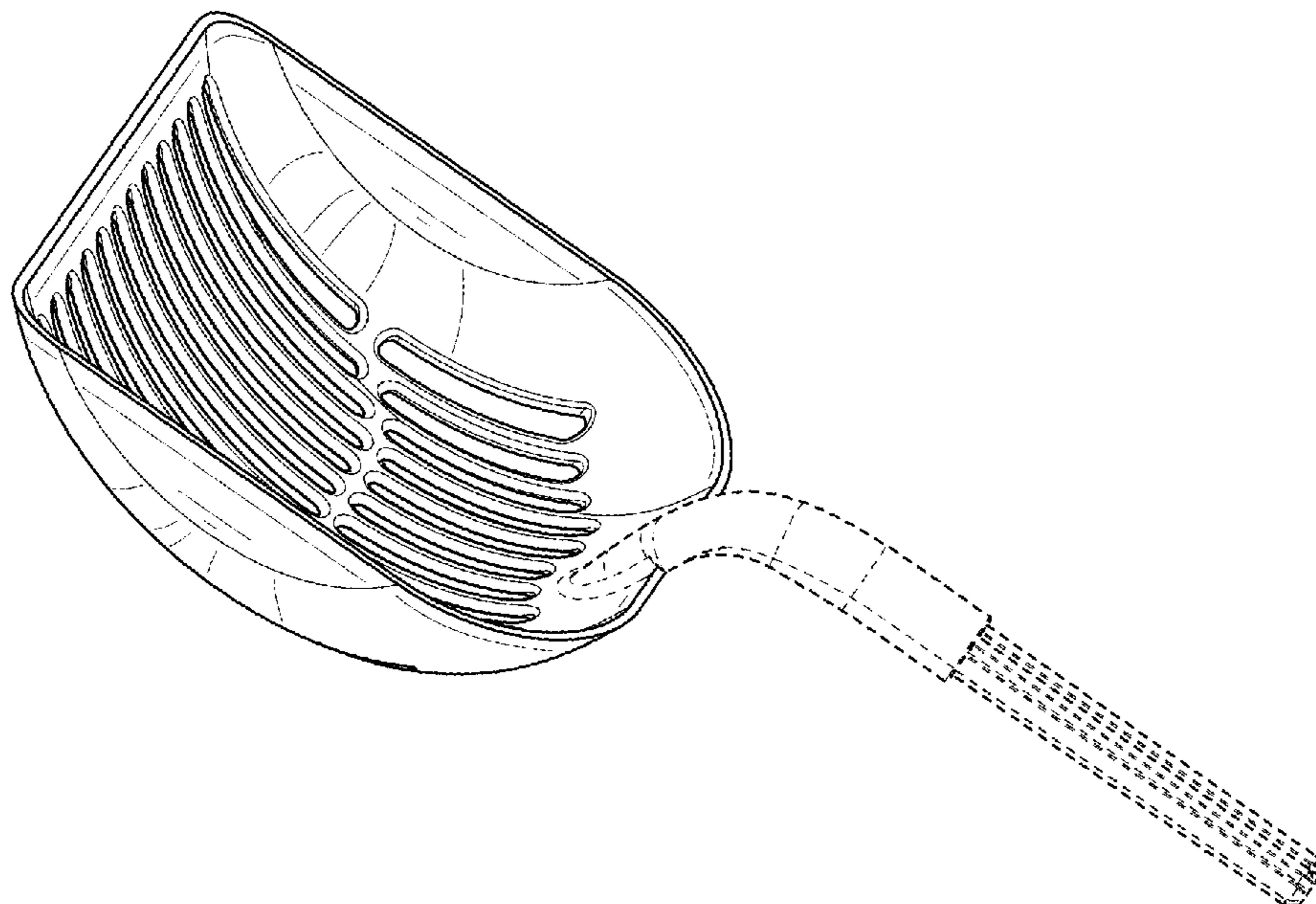
FIG. 12 is another right side view thereof;

FIG. 13 is another front view thereof; and,

FIG. 14 is another rear view thereof.

The broken lines illustrate portions of the scoop that form no part of the claimed design.

1 Claim, 14 Drawing Sheets



(56)

References Cited

U.S. PATENT DOCUMENTS

D659,916	S	5/2012	Myerson	
D679,875	S	4/2013	Myerson	
D679,876	S *	4/2013	Teren	D30/162
D686,787	S *	7/2013	Dabrushman	D30/162
D749,278	S	2/2016	Garvey	
D768,342	S	10/2016	Myerson	
D775,436	S *	12/2016	Rodriguez	D30/162
D798,002	S *	9/2017	Miura	D30/162
D799,760	S *	10/2017	Peng	D30/162
D805,264	S *	12/2017	Wendling	D30/162
D811,021	S *	2/2018	Myerson	D30/162
D811,667	S	2/2018	Renforth	
D815,782	S	4/2018	Leick et al.	
2006/0156991	A1 *	7/2006	Burns	A01K 1/0114 119/161
2019/0289811	A1 *	9/2019	Veness	A01K 1/0114

OTHER PUBLICATIONS

Gorilla Grip Original Cat Litter Scooper, Free Holder, Extra Large, Durable Solid Aluminum, Non-Stick Deep Scoop Shovel for Sifting Kitty Cats Litter, Waterproof & Rust Resistant, Confy Grip Handle, by Gorilla Grip; https://www.amazon.com/Gorilla-Grip-Non-Stick-Waterproof-Resistant/dp/8079P9C55P/ref+sr_1_3?ie=UTF8&qid=154; 1 page.

* cited by examiner

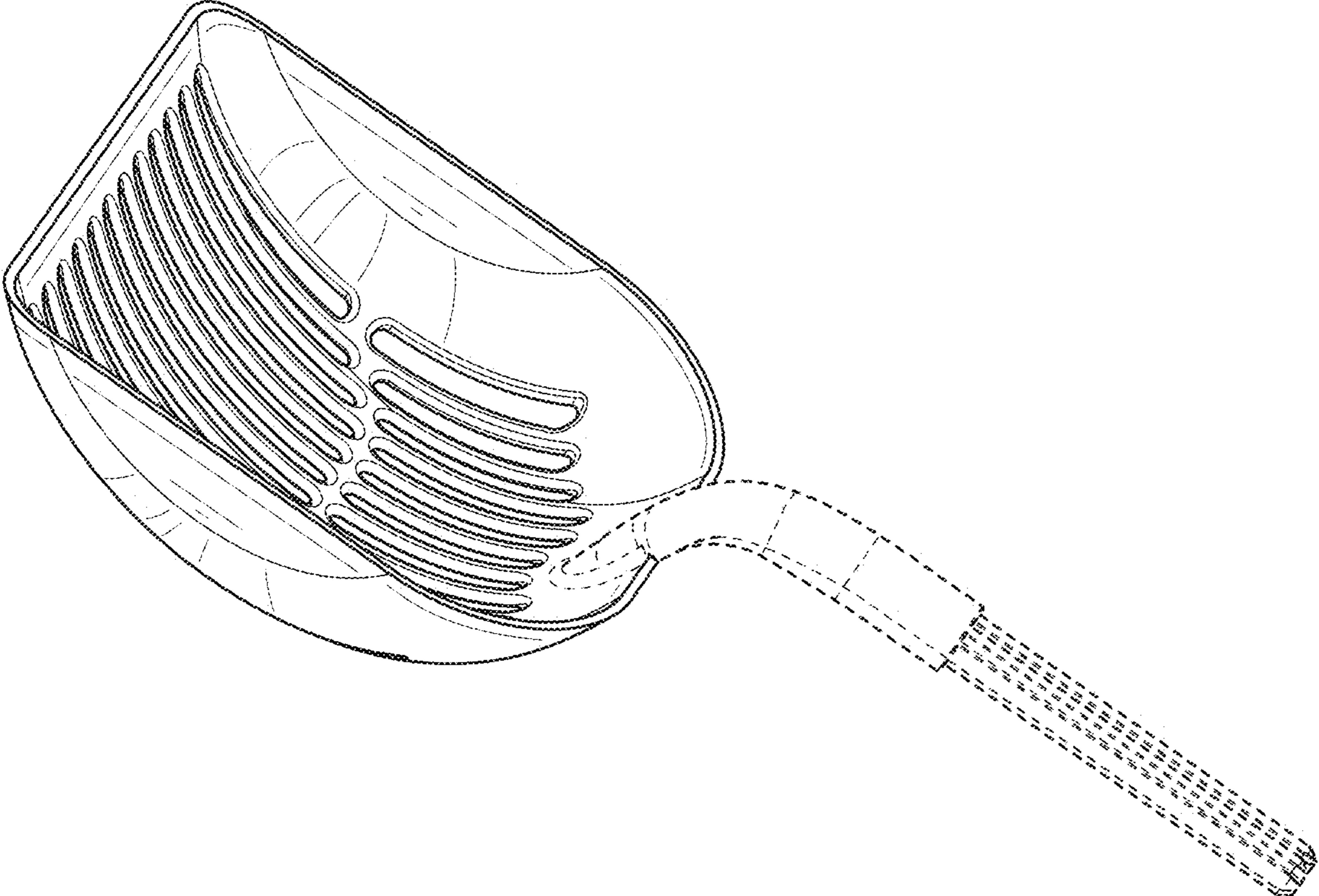


FIG. 1

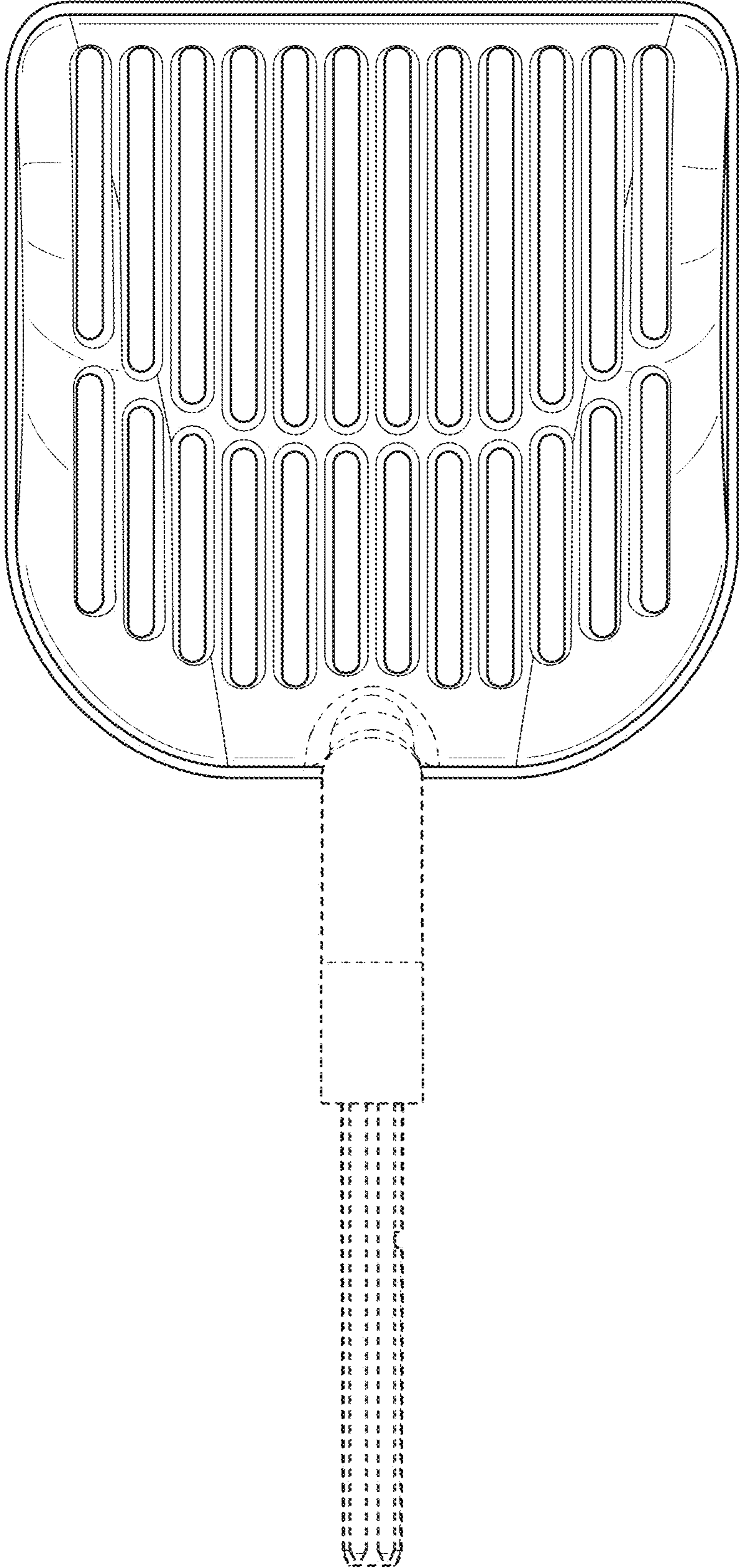


FIG. 2

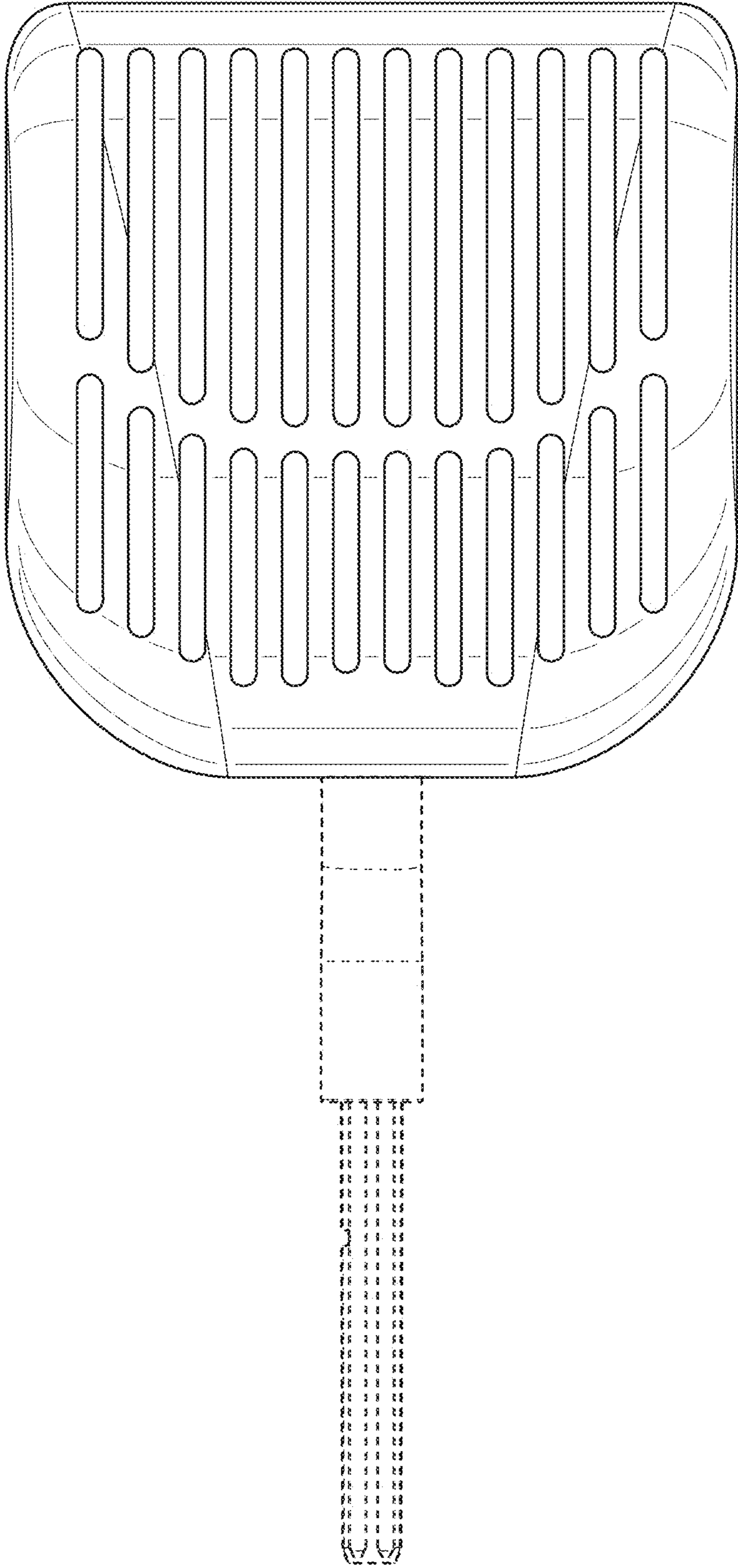


FIG. 3

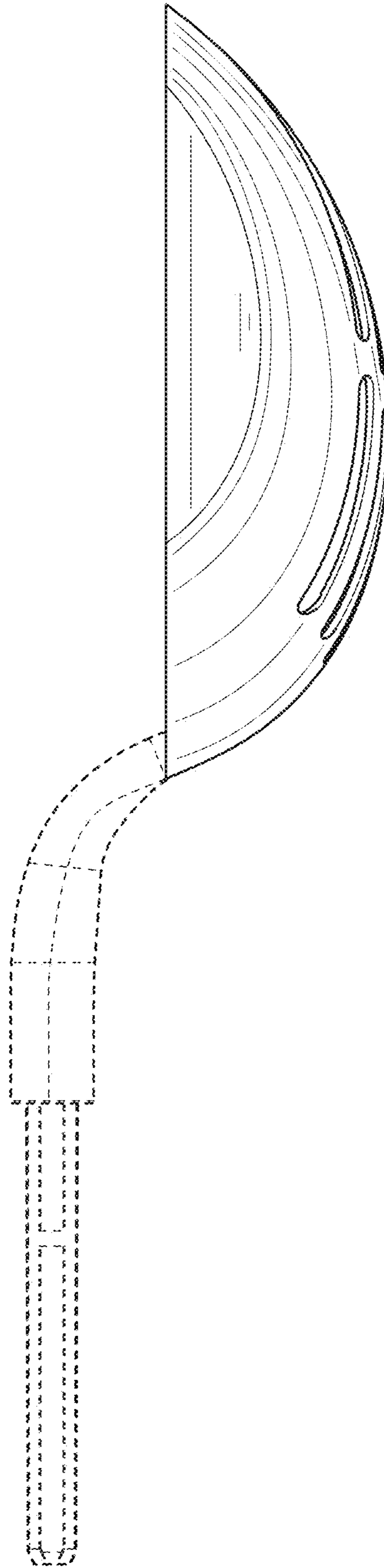


FIG. 4

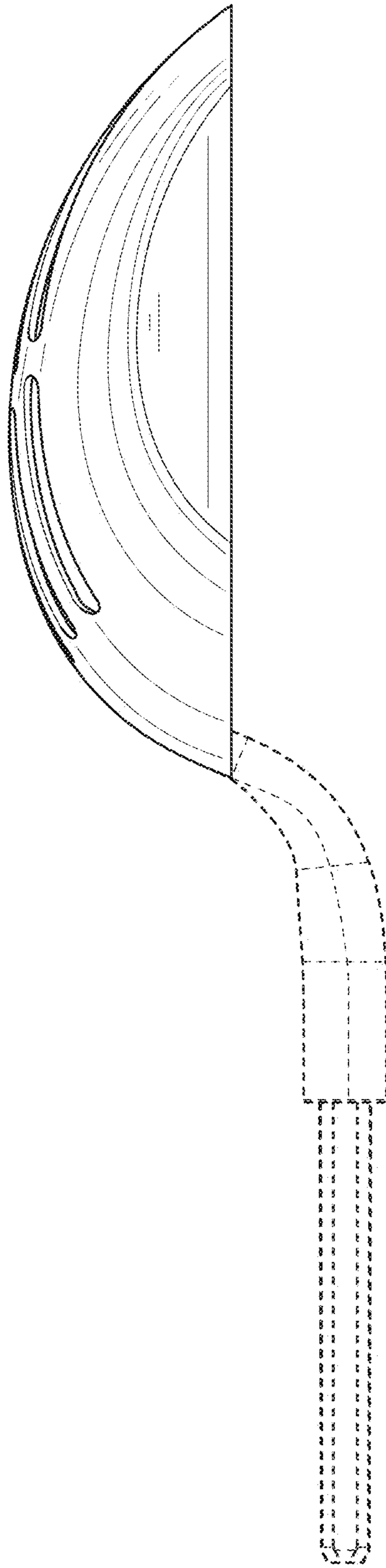


FIG. 5

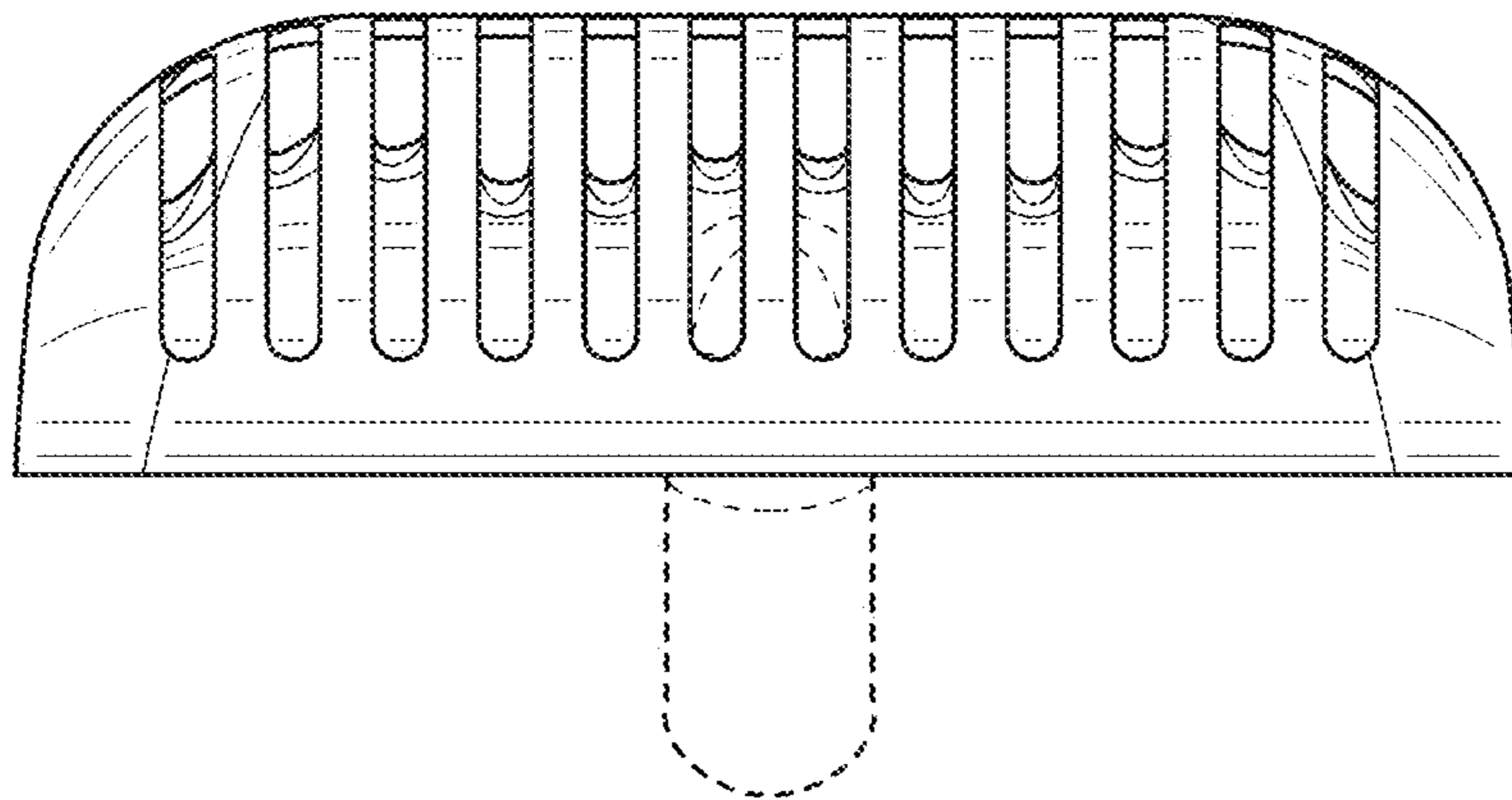


FIG. 6

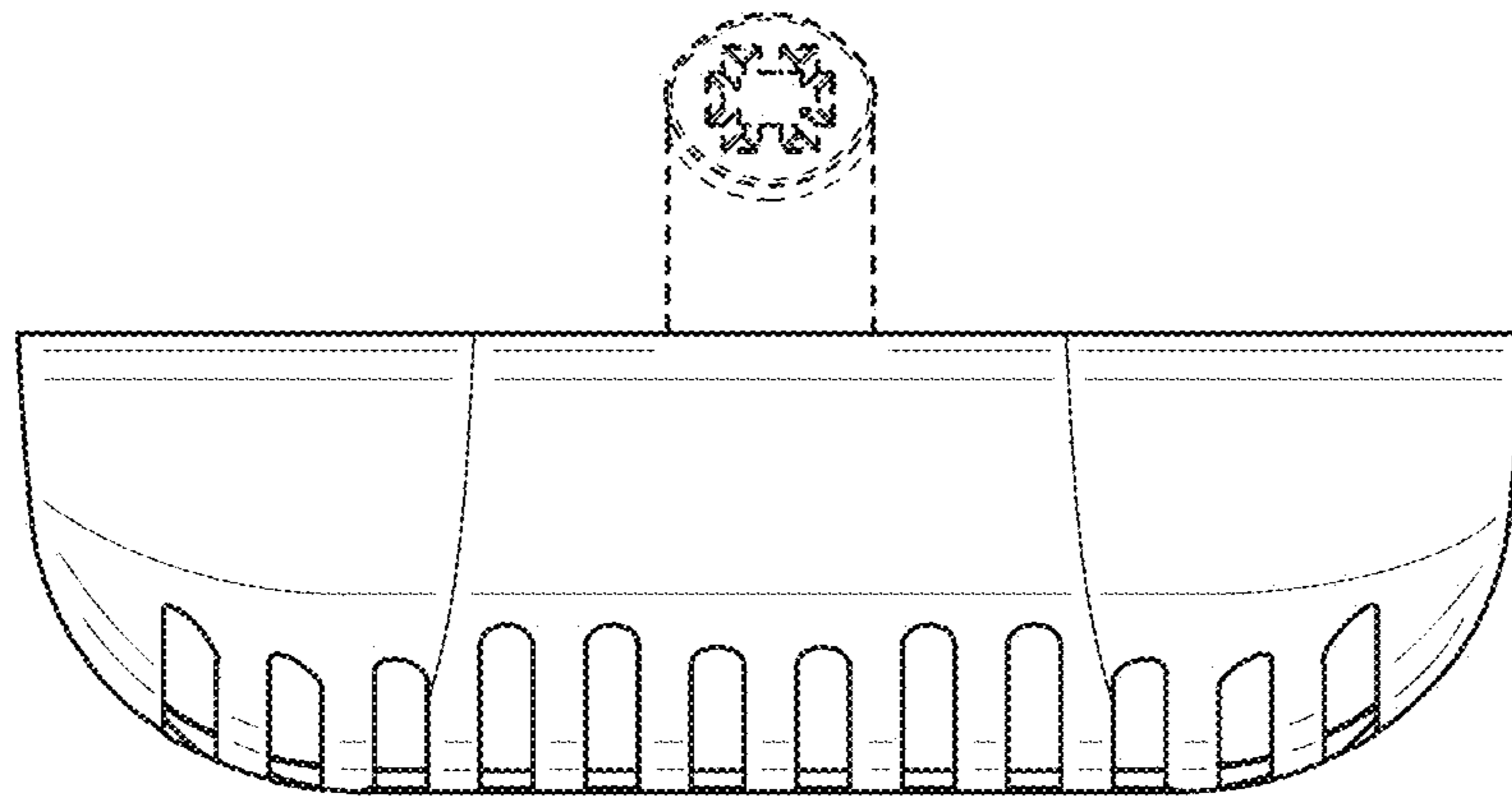


FIG. 7

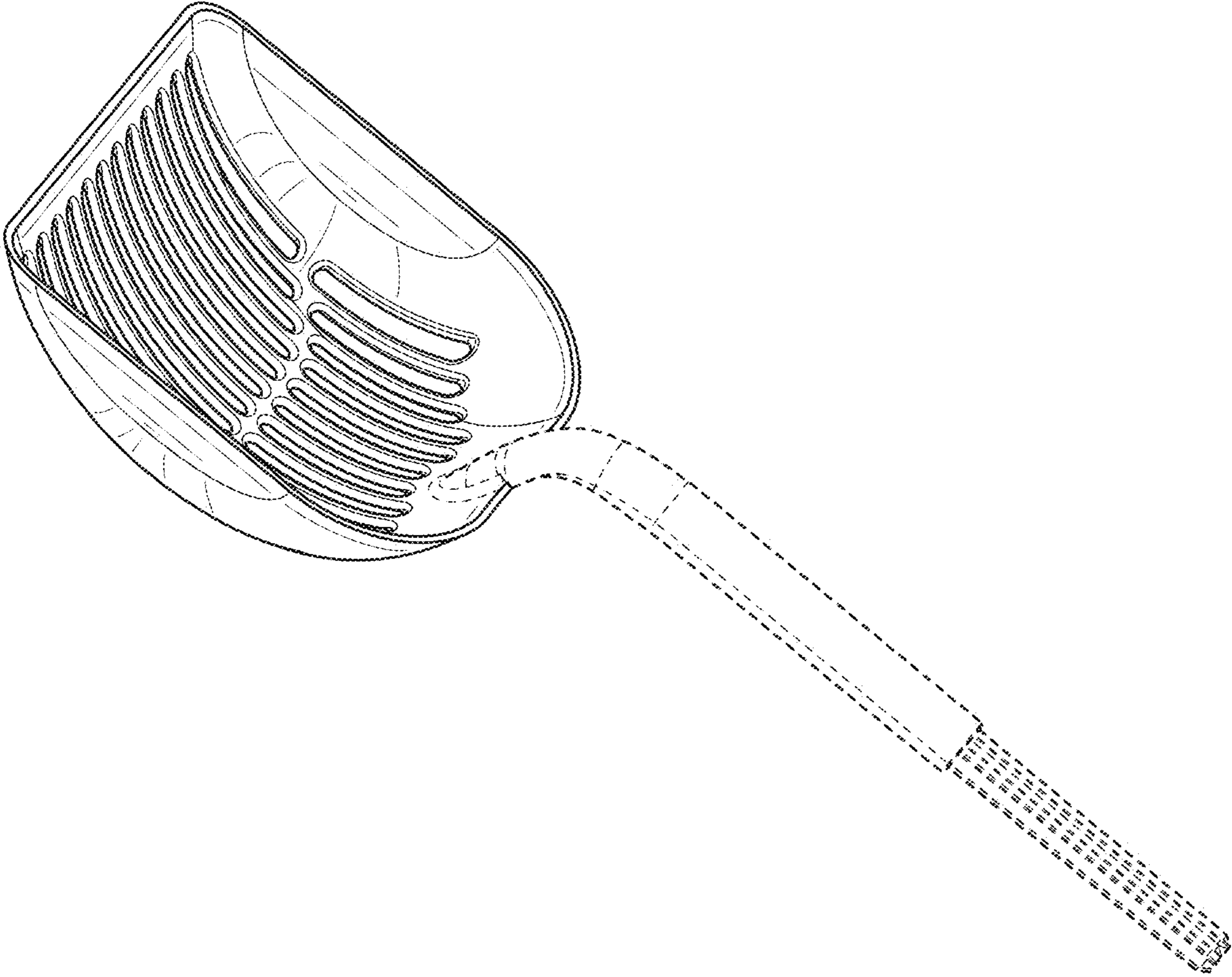


FIG. 8

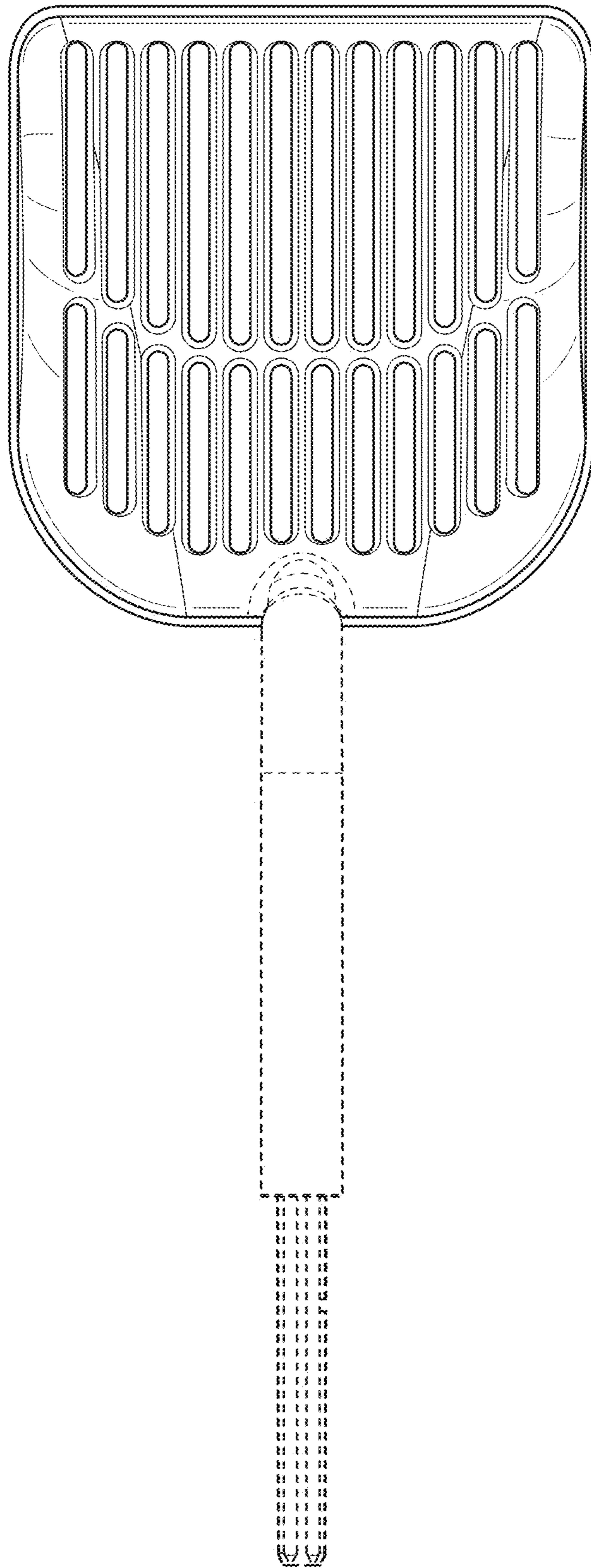


FIG. 9

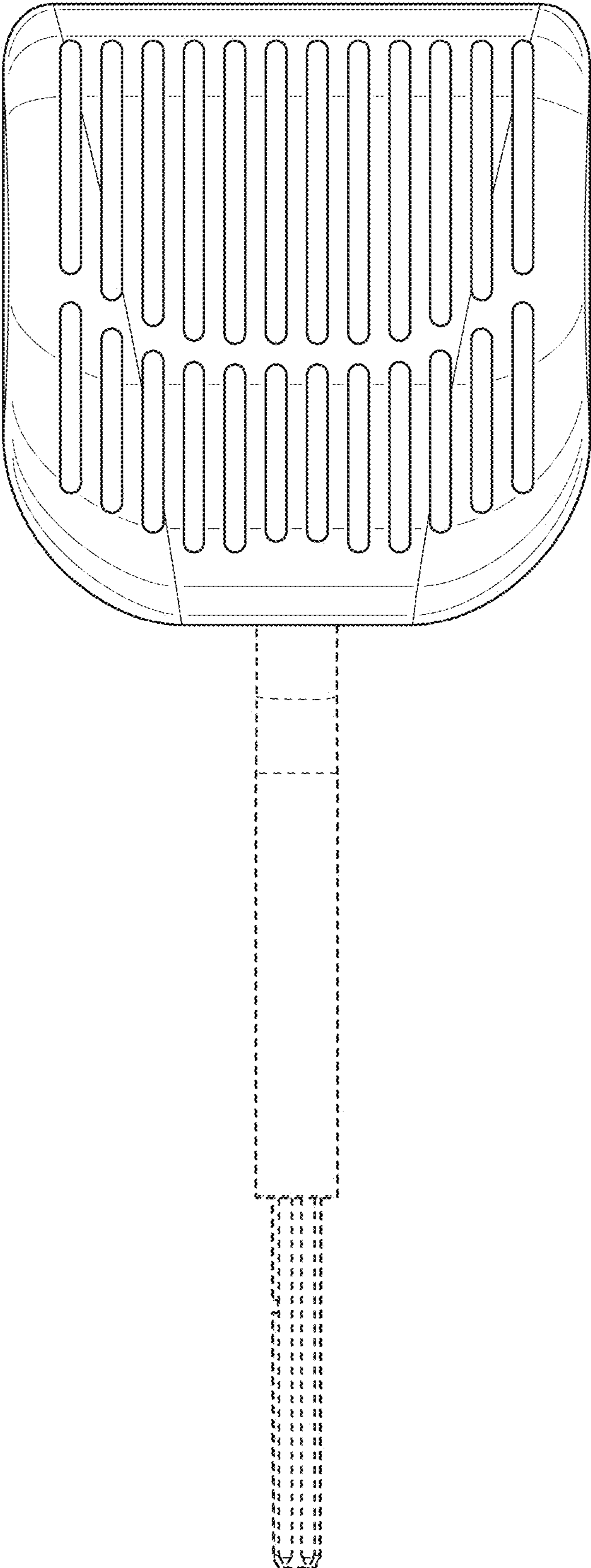


FIG. 10

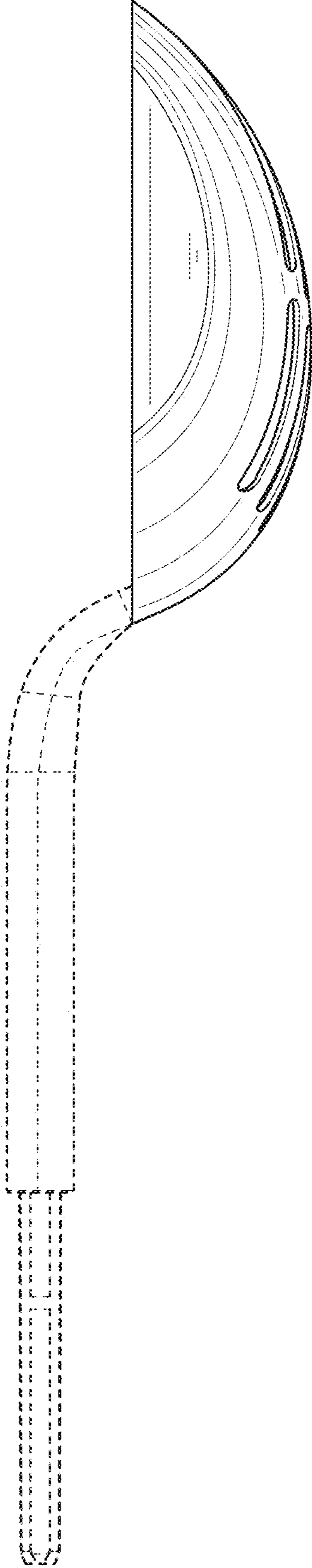


FIG. 11

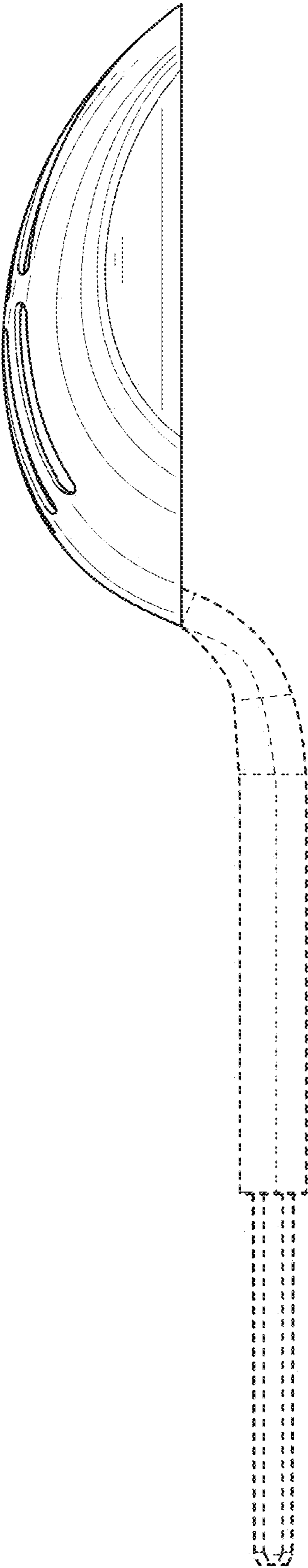


FIG. 12

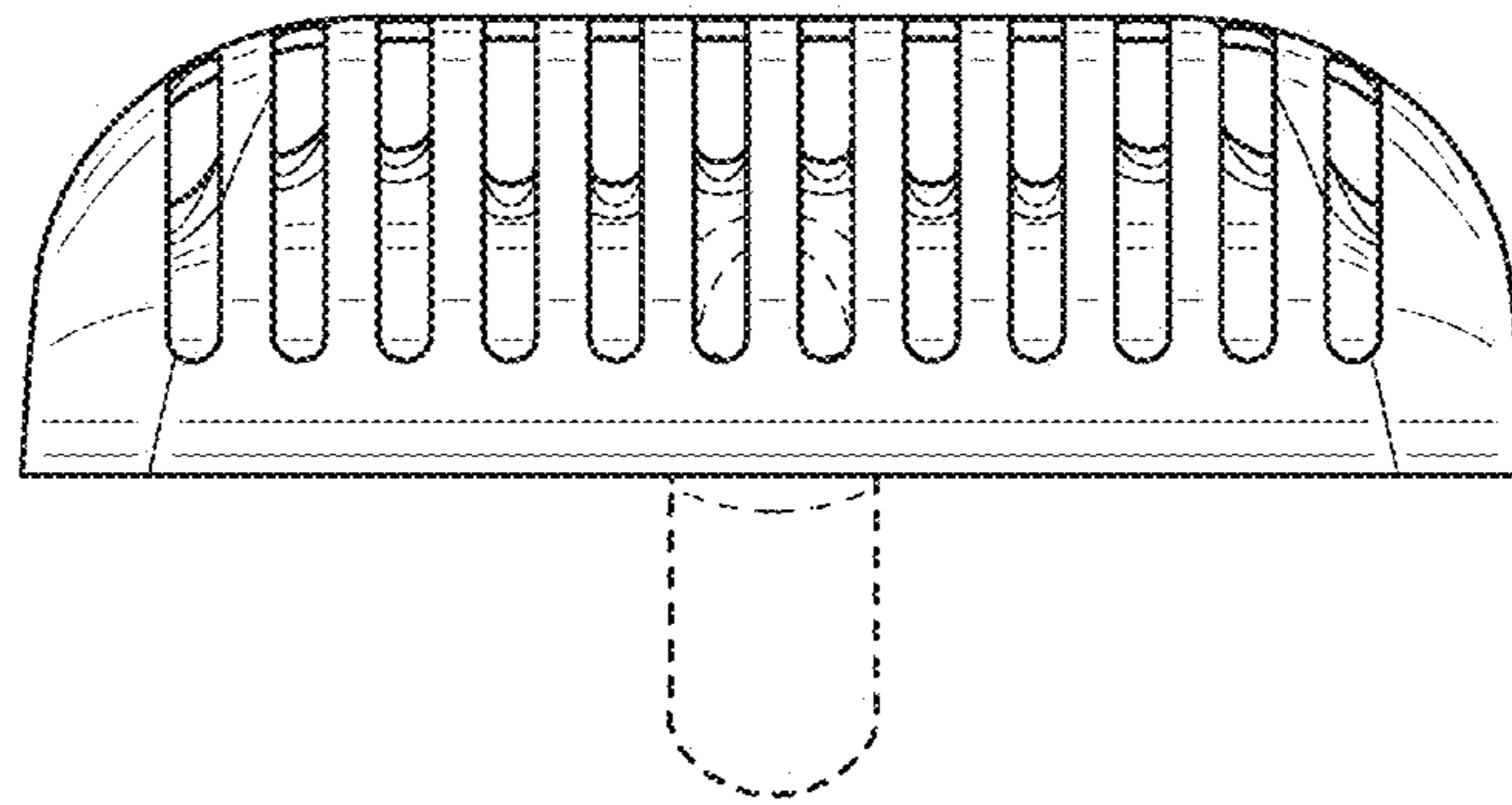


FIG. 13

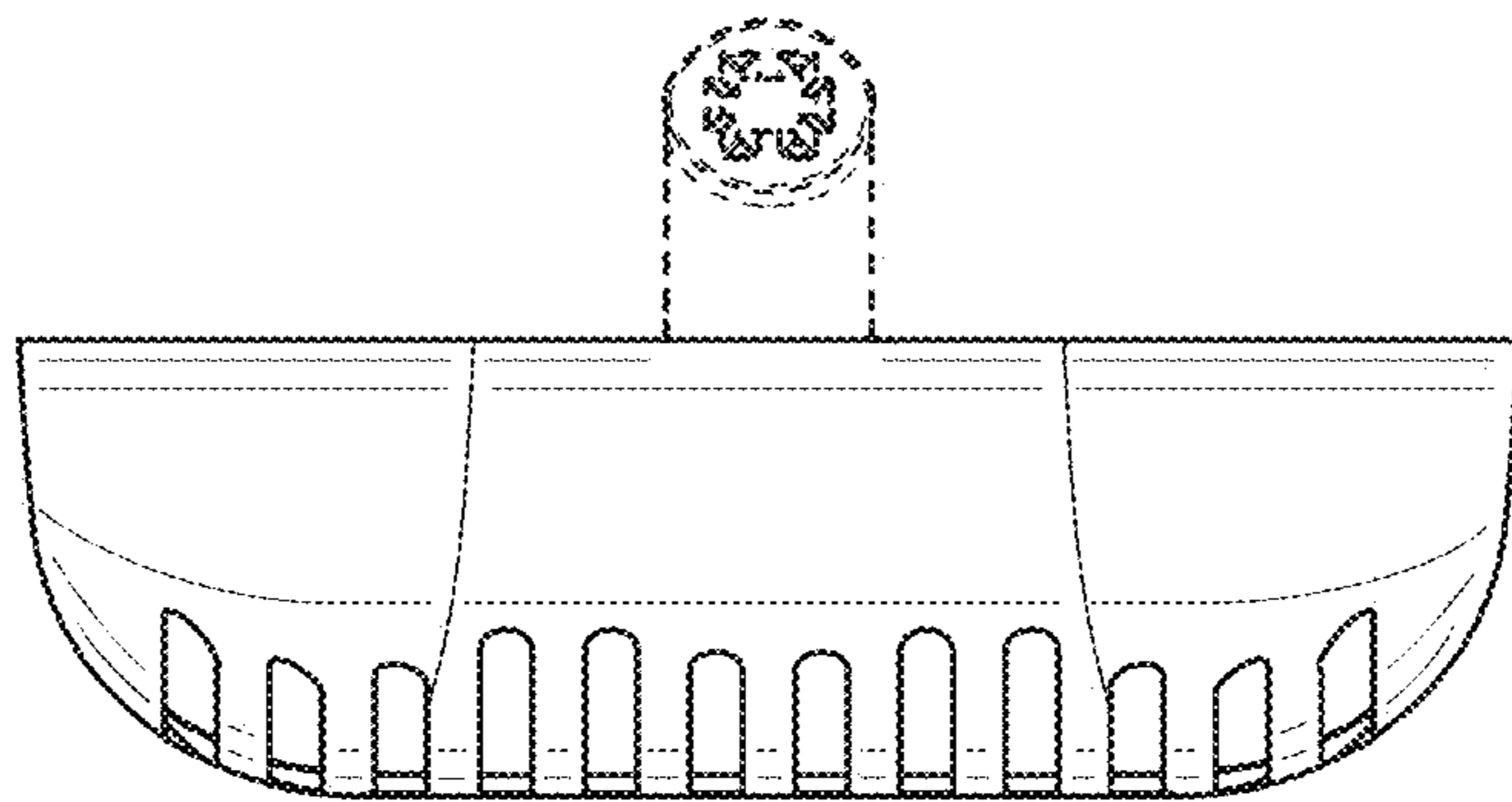


FIG. 14