



US00D895908S

(12) **United States Design Patent**  
**Yan**

(10) **Patent No.:** **US D895,908 S**

(45) **Date of Patent:** **\*\* Sep. 8, 2020**

(54) **RECEIVER FOR DOG TRAINING COLLAR**

(71) Applicant: **SHENZHEN TRANSPET TECHNOLOGY CO., LTD.**,  
Shenzhen, Guangdong (CN)

(72) Inventor: **Xingwen Yan**, Shenzhen (CN)

(73) Assignee: **SHENZHEN TRANSPET TECHNOLOGY CO., LTD.**,  
Shenzhen, Guangdong Province (CN)

(\*\*) Term: **15 Years**

(21) Appl. No.: **29/695,843**

(22) Filed: **Jun. 21, 2019**

(30) **Foreign Application Priority Data**

Feb. 19, 2019 (CN) ..... 2019 3 0067564

(51) **LOC (12) Cl.** ..... **30-04**

(52) **U.S. Cl.**  
USPC ..... **D30/152; D30/199; D14/188**

(58) **Field of Classification Search**  
USPC ..... D14/135, 137, 139, 155, 157, 188, 191,  
D14/192, 197, 198, 203.1–203.8, 299;  
D10/70, 98, 104.1, 104.2; D30/152, 199  
CPC ... G05D 23/1905; G08B 3/00; G08B 3/1008;  
G08B 3/1025; G08B 3/1058; H04B 1/02;  
H04B 1/04; H04B 1/40; H04B 1/0458;  
H04B 1/0475; H04H 20/38; H04H 40/27;  
H04H 60/37; H04H 60/64; H04H 60/73;  
H04L 12/1813; H04L 12/1822; H04L  
67/125; H04M 11/022; H04N 7/147;  
H05K 5/00; H04W 12/02; A01K 15/021  
See application file for complete search history.

(56) **References Cited**

**U.S. PATENT DOCUMENTS**

D464,643 S \* 10/2002 Hill ..... D13/152  
D464,957 S \* 10/2002 Guccione ..... D14/240

D706,500 S \* 6/2014 Hu ..... D30/152  
D728,510 S \* 5/2015 Cai ..... D14/203.5  
D730,312 S \* 5/2015 Larsen ..... D14/168  
D742,817 S \* 11/2015 Lammers-Meis ..... D13/103  
D747,228 S \* 1/2016 Fiedler ..... D10/104.1  
D760,683 S \* 7/2016 Larsen ..... D14/204  
D764,653 S \* 8/2016 Bjelovuk ..... D24/108  
D788,999 S \* 6/2017 Zinn ..... D30/152  
D811,016 S \* 2/2018 Liu ..... D30/152  
D816,918 S \* 5/2018 Li ..... D30/152  
D817,557 S \* 5/2018 Liu ..... D30/152  
D822,922 S \* 7/2018 Wen ..... D30/199  
D834,769 S \* 11/2018 Wen ..... D30/199  
D836,261 S \* 12/2018 Ni ..... D30/199  
D836,858 S \* 12/2018 Zinn ..... D30/199  
D861,259 S \* 9/2019 Dong ..... D30/152  
D880,082 S \* 3/2020 Zinn ..... D30/152

(Continued)

*Primary Examiner* — Keli L Hill

(74) *Attorney, Agent, or Firm* — Li & Cai Intellectual  
Property (USA) Office

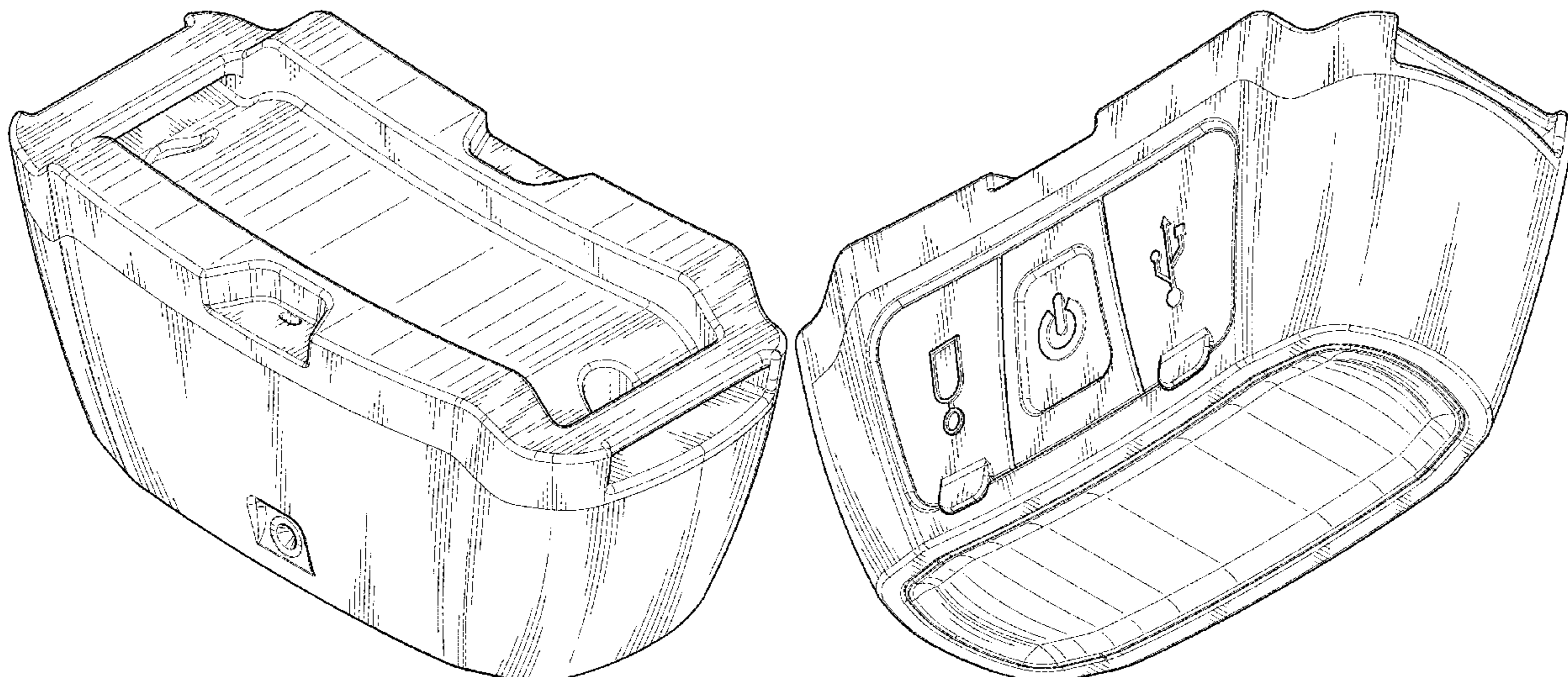
(57) **CLAIM**

The ornamental design for a receiver for dog training collar,  
as shown and described.

**DESCRIPTION**

FIG. 1 is a front, top and right perspective view of a receiver  
for dog training collar showing my new design;  
FIG. 2 is a front elevational view thereof;  
FIG. 3 is a rear elevational view thereof;  
FIG. 4 is a left side elevational view thereof;  
FIG. 5 is a right side elevational view thereof;  
FIG. 6 is a top plan view thereof;  
FIG. 7 is a bottom plan view thereof; and,  
FIG. 8 is a rear, bottom and left perspective view thereof.  
The broken lines depict portions of the receiver for dog  
training collar in which the design is embodied that form no  
part of the claimed design.

**1 Claim, 8 Drawing Sheets**



(56)

**References Cited**

U.S. PATENT DOCUMENTS

D883,954 S \* 5/2020 He ..... D14/216  
D884,994 S \* 5/2020 Ni ..... D30/199

\* cited by examiner

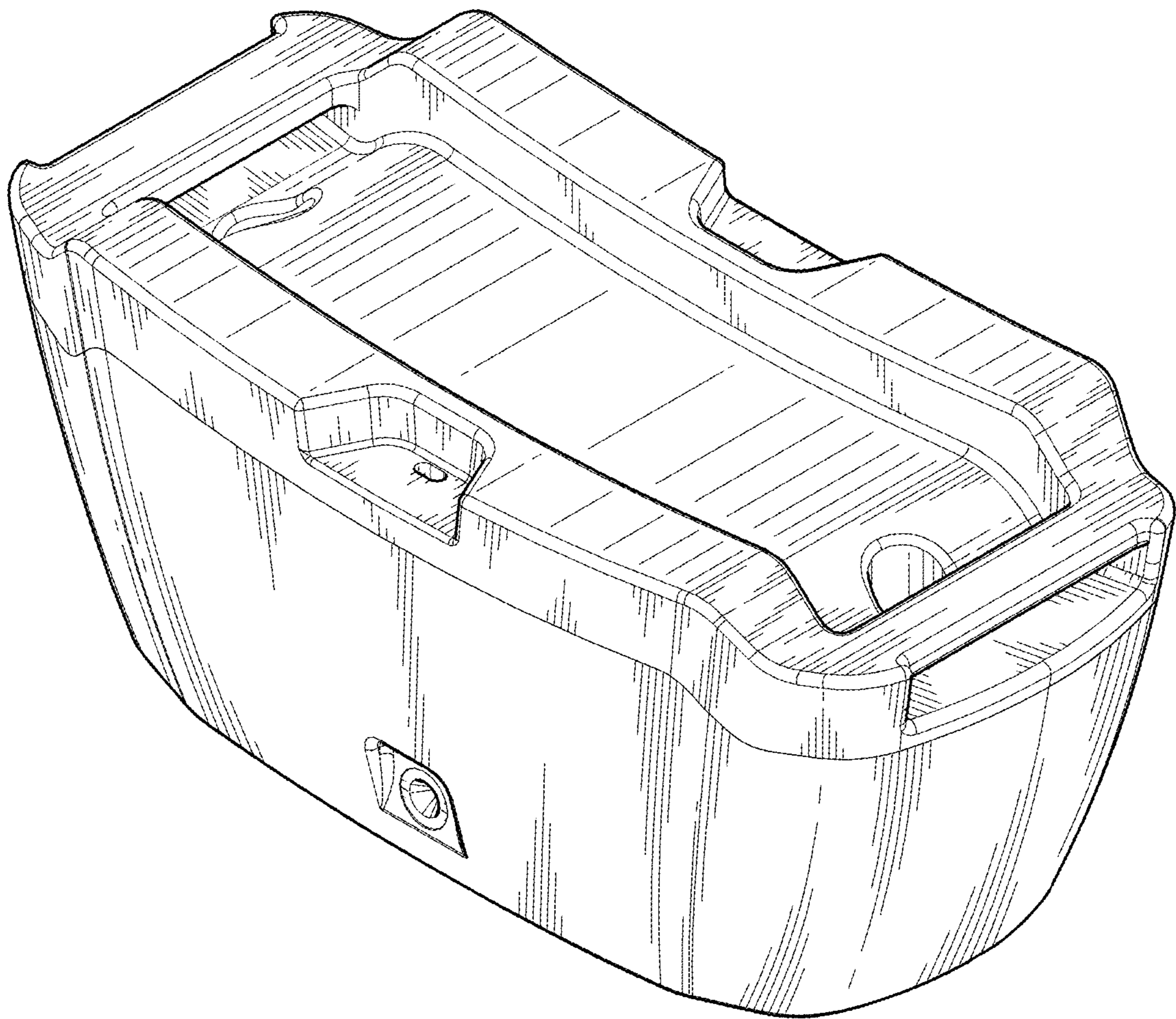


FIG. 1

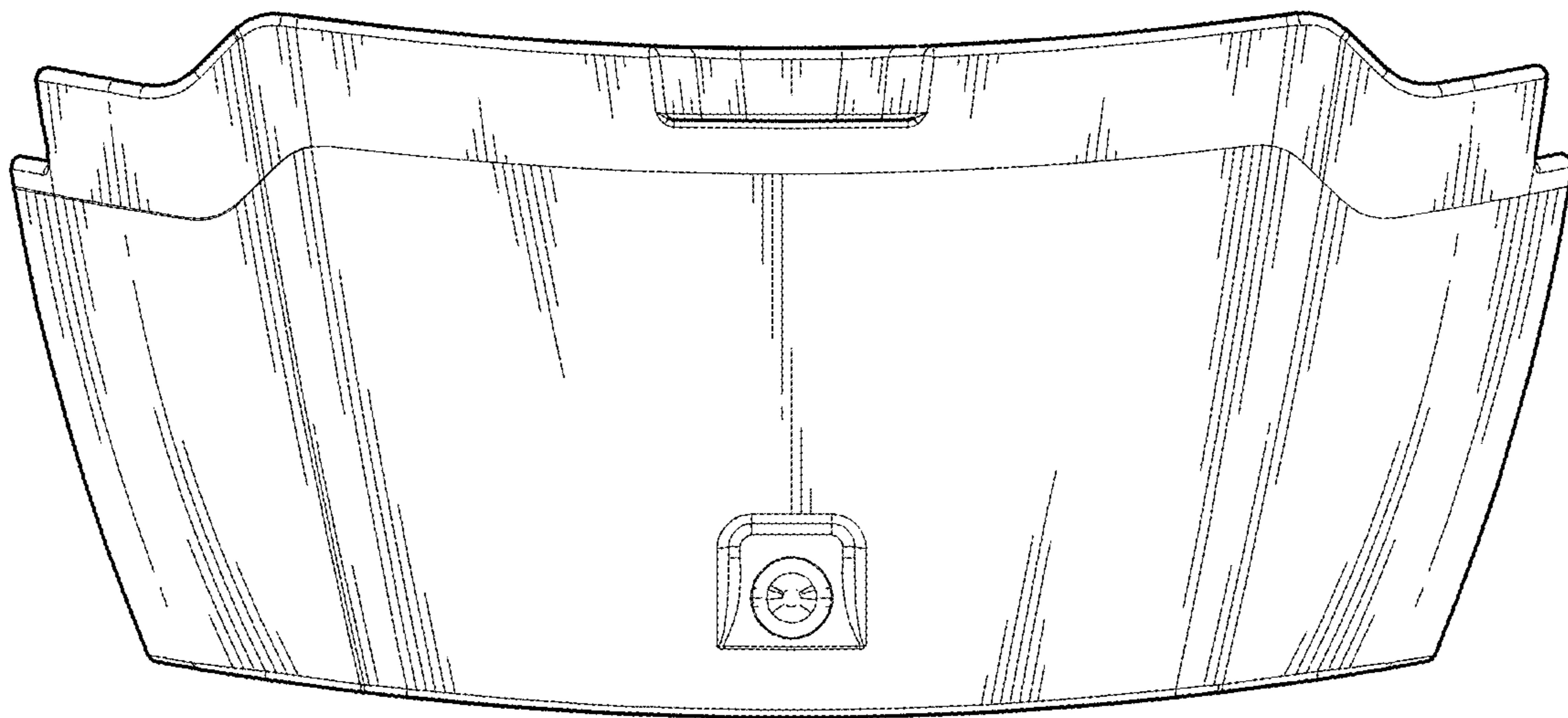


FIG. 2

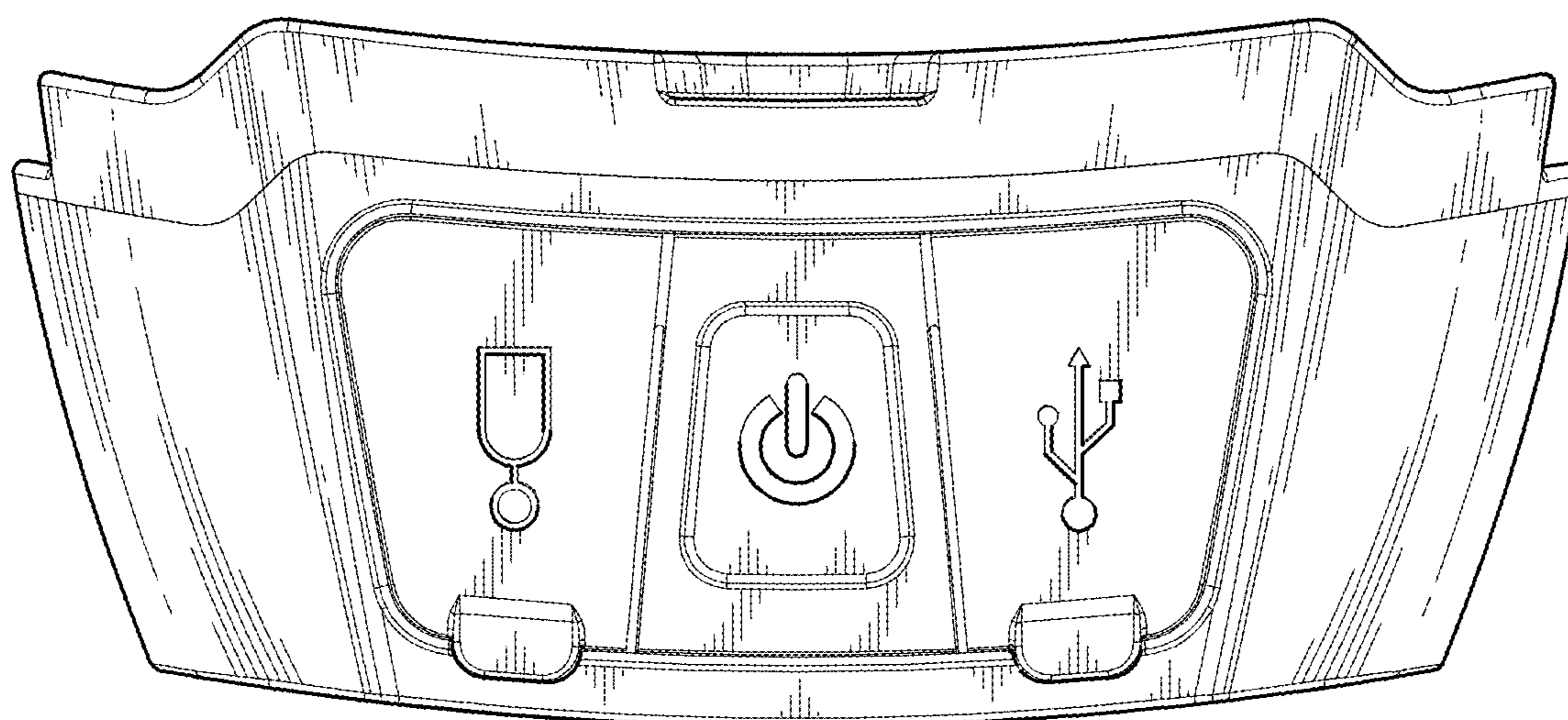


FIG. 3

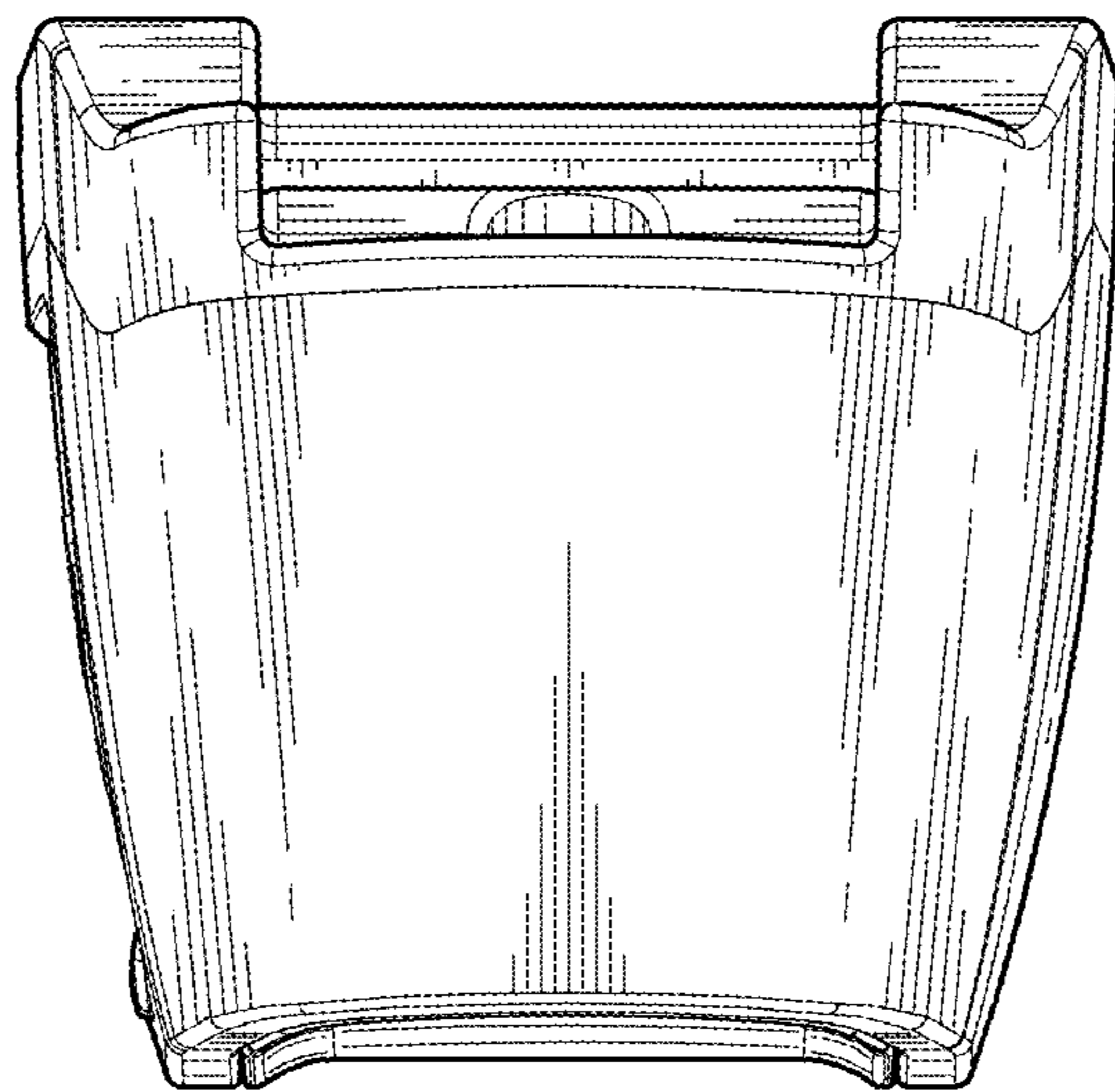


FIG. 4

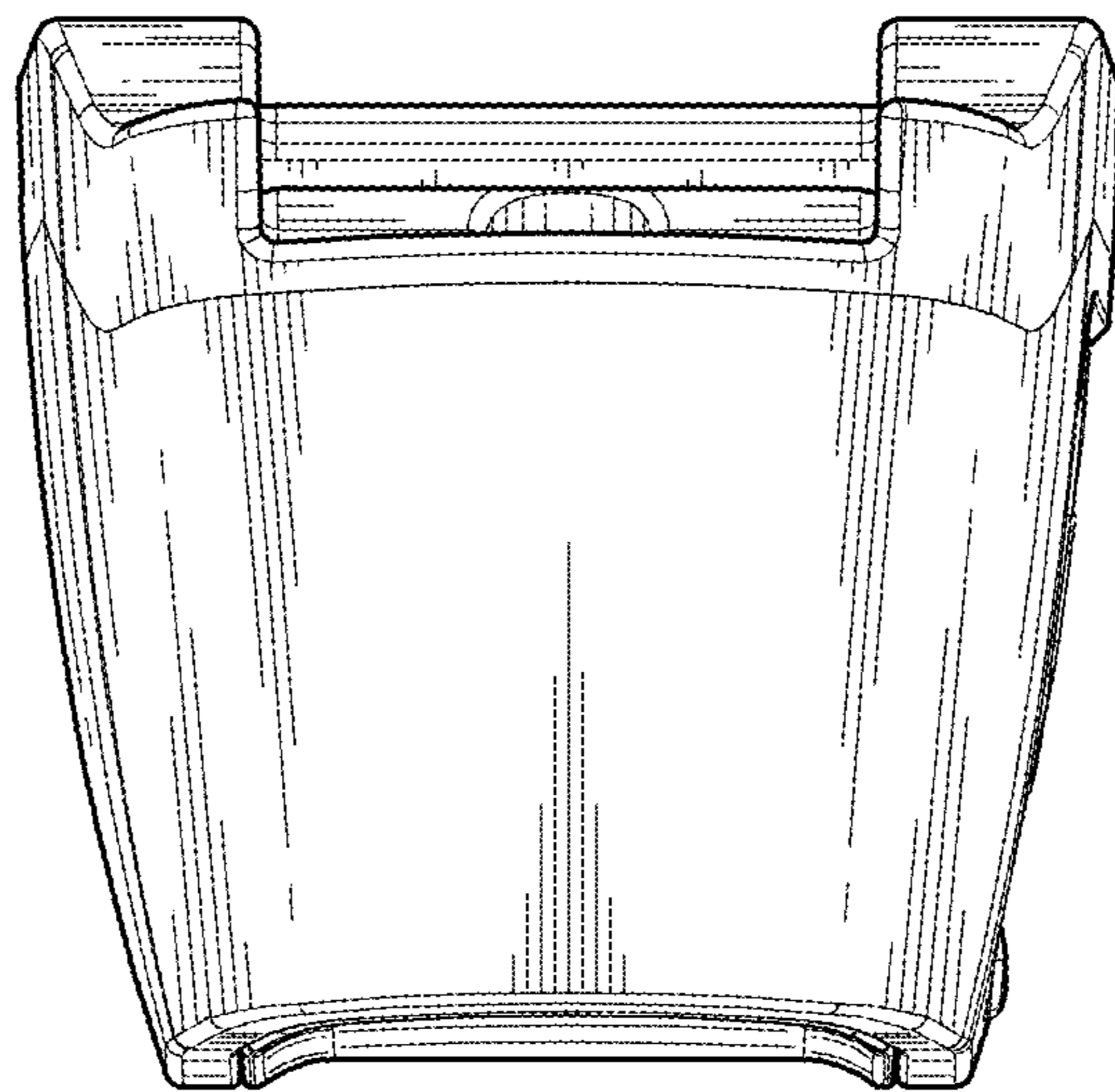


FIG. 5

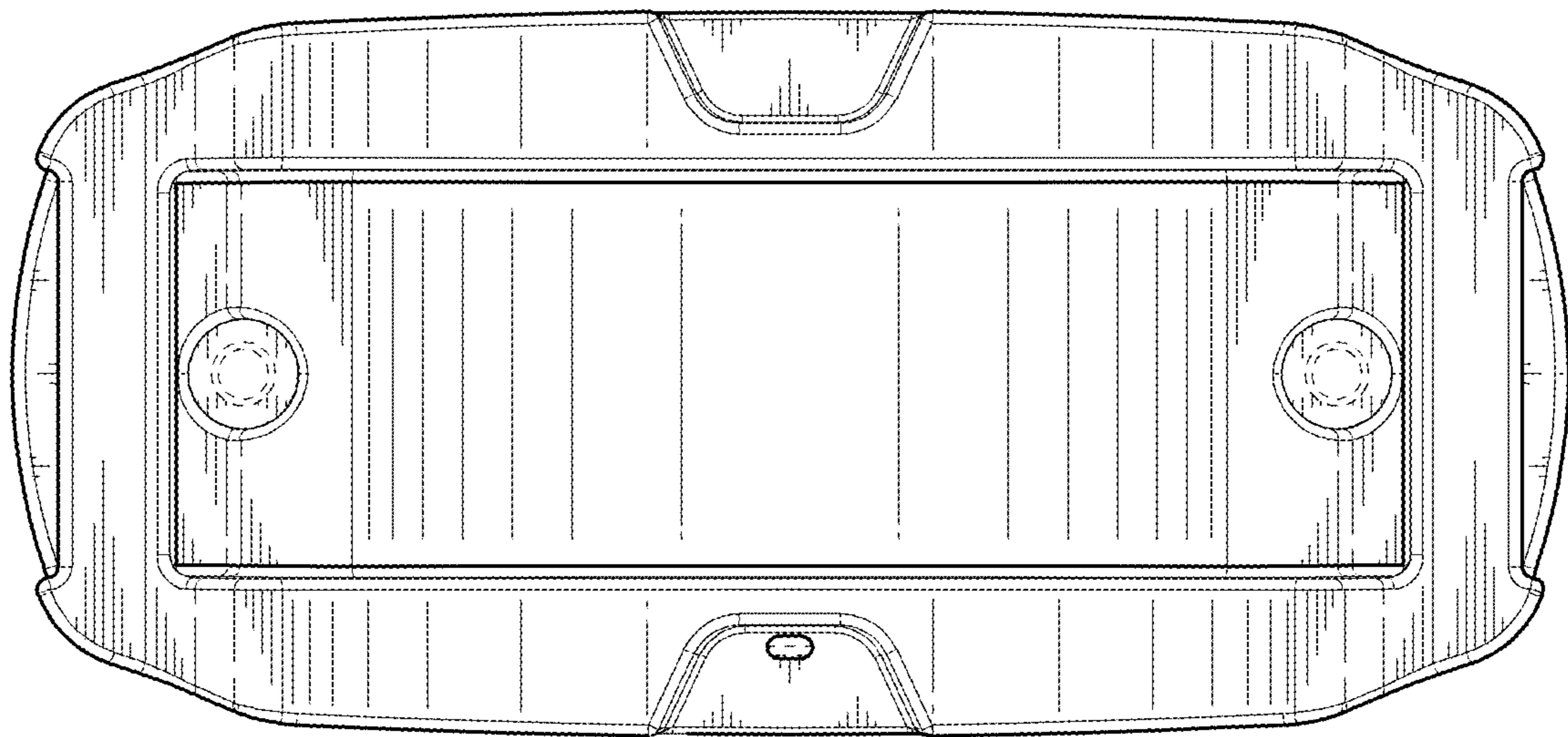


FIG. 6



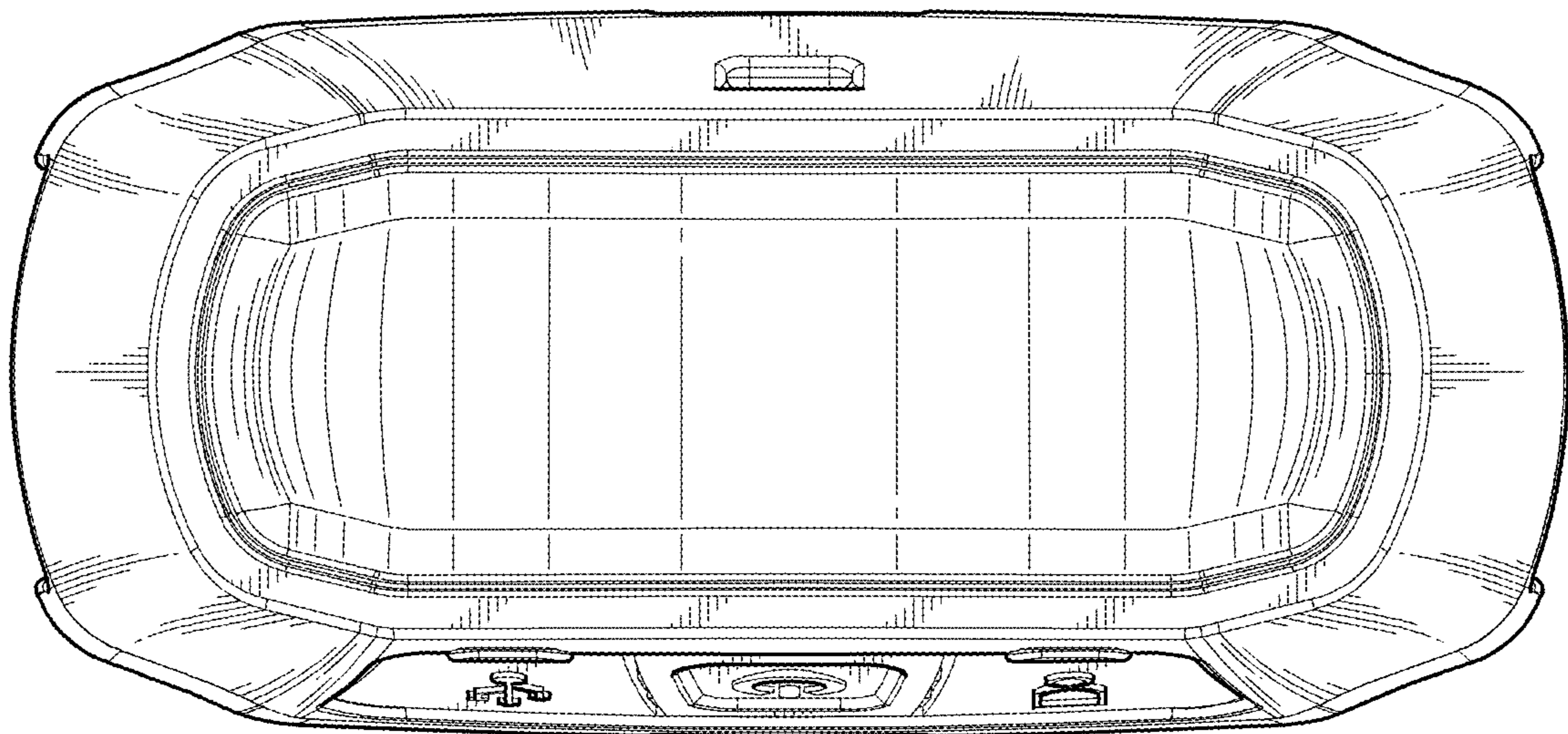


FIG. 7

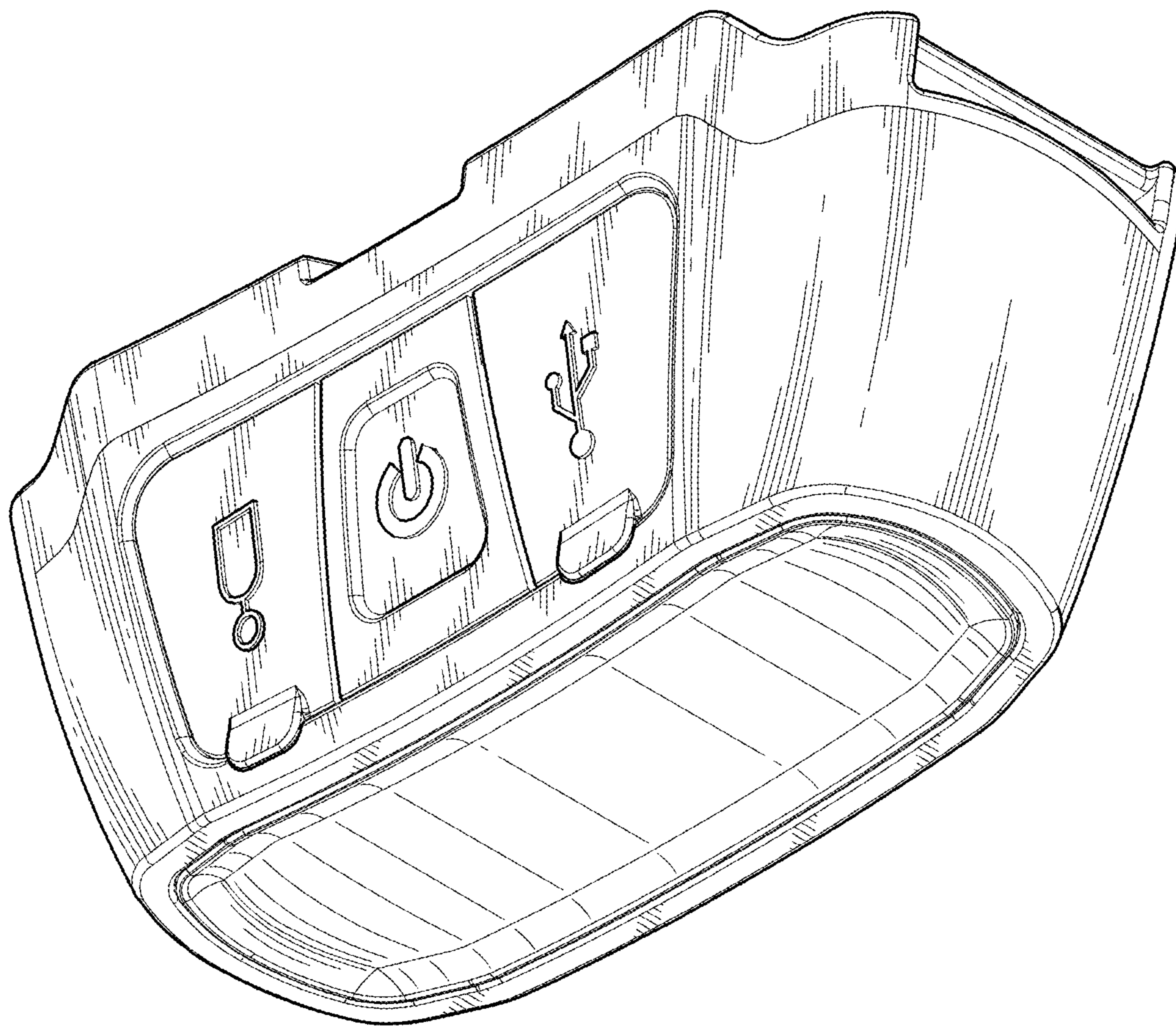


FIG. 8