



US00D895907S

(12) **United States Design Patent**  
**Allen**

(10) **Patent No.:** **US D895,907 S**  
(45) **Date of Patent:** **\*\* Sep. 8, 2020**

(54) **HORSESHOE PAD**  
(71) Applicant: **Lauren Elaine Allen**, Dover, DE (US)  
(72) Inventor: **Lauren Elaine Allen**, Dover, DE (US)  
(73) Assignee: **Lauren Elaine Allen**, Dover, DE (US)  
(\*\*) Term: **15 Years**  
(21) Appl. No.: **29/588,908**  
(22) Filed: **Dec. 23, 2016**  
(51) **LOC (12) Cl.** ..... **30-01**  
(52) **U.S. Cl.**  
USPC ..... **D30/149**  
(58) **Field of Classification Search**  
USPC ..... D30/119, 108, 114, 116, 120, 136, 137,  
D30/138, 144, 145, 151, 152, 199, 146,  
D30/147, 148, 150; D2/627, 896, 897,  
D2/902, 909, 919, 943, 980; D3/215,  
D3/327; D29/101.1, 101.3, 101.5;  
D24/190, 192; D21/387; 119/174, 798,  
119/814, 850, 856, 863, 865, 853;  
36/58.5, 111, 122, 140; 602/3, 5, 6, 65;  
168/1, 4, 6, 10, 12, 14, 17, 18, 26, 29,  
168/28; 473/591  
CPC .... A01K 25/00; A01K 13/006; A01K 13/007;  
A01K 13/008; A01K 15/04; A01K 47/00;  
A01K 47/02; A01K 47/04; A01K 47/06;  
A01L 1/00; A01L 1/02; A01L 1/04; A01L  
3/00; A01L 3/02; A01L 3/04; A01L 3/06;  
A01L 5/00; A01L 7/00; A01L 7/02; A01L  
7/04; A01L 7/06; A01L 7/08; A01L 9/00;  
A01L 15/00  
See application file for complete search history.

(56) **References Cited**  
**U.S. PATENT DOCUMENTS**  
247,843 A \* 10/1881 McKee ..... A01L 1/04  
168/7  
349,081 A \* 9/1886 Bingham ..... A01L 1/04  
168/7

374,727 A \* 12/1887 Bingham ..... A01L 1/04  
168/7  
585,290 A \* 6/1897 Sheldon ..... A01L 1/04  
168/13  
D29,938 S \* 1/1899 Paar ..... D30/147  
626,768 A \* 6/1899 Powers ..... A01L 1/04  
168/13  
648,879 A \* 5/1900 Paar ..... A01L 1/04  
168/13  
687,492 A \* 11/1901 Barian ..... A01L 1/04  
168/13  
696,490 A \* 4/1902 Riehl ..... A01L 1/04  
168/13  
699,373 A \* 5/1902 Dyson ..... A01L 1/04  
168/13

(Continued)

**OTHER PUBLICATIONS**

The Black Pad—Extra Large, published 2018 [online], [retrieved Apr. 8, 2018], Available from Internet, URL: <<https://docfoals.com/collections/frontpage/products/the-black-pad-extra-large>>.\*

*Primary Examiner* — Dana K Weiland  
*Assistant Examiner* — Mary Claire Ramirez

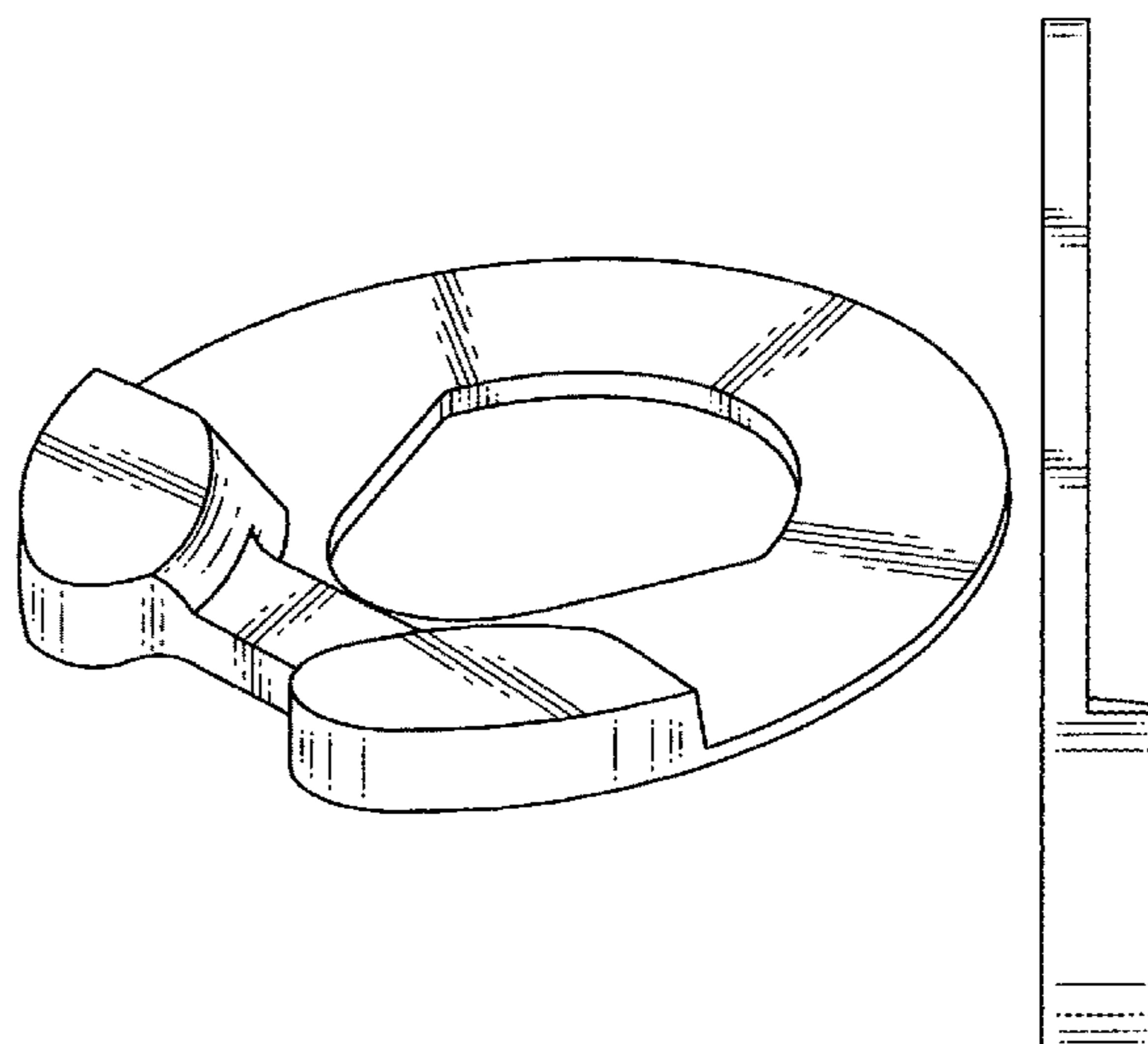
(57) **CLAIM**

The ornamental design for a horseshoe pad, as shown and described.

**DESCRIPTION**

FIG. 1 is an isometric view of a horseshoe pad showing the new design;  
FIG. 2 is a front view thereof;  
FIG. 3 is a back view thereof;  
FIG. 4 is a left side view thereof;  
FIG. 5 is a right side view thereof;  
FIG. 6 is a top view thereof; and,  
FIG. 7 is a bottom view thereof.

**1 Claim, 7 Drawing Sheets**



(56)

**References Cited**

U.S. PATENT DOCUMENTS

706,543 A *	8/1902	Fisher	.....	A01L 1/04	168/13	1,125,556 A *	1/1915	Kent	.....	A01L 1/04	168/13
717,614 A *	1/1903	Peacock	.....	A01L 5/00	168/14	1,132,017 A *	3/1915	Kent	.....	A01L 7/02	168/14
770,917 A *	9/1904	Myers	.....	A01L 1/04	168/11	D48,471 S *	1/1916	Kent	.....	D30/147	
774,819 A *	11/1904	Bartley	.....	A01L 1/04	168/13	1,403,071 A *	1/1922	Capewell	.....	A01L 3/04	168/21
840,706 A *	1/1907	Paar	.....	A01L 1/04	168/13	1,497,820 A *	6/1924	Wiestner	.....	A01L 1/04	168/13
903,759 A *	11/1908	Paar	.....	A01L 1/04	168/13	1,543,762 A *	6/1925	Fralick	.....	A01L 1/04	168/11
940,337 A *	11/1909	Loeffler	.....	A01L 1/04	168/13	1,690,365 A *	11/1928	Fruin	.....	A01L 1/04	168/14
973,552 A *	10/1910	Paar	.....	A01L 7/06	168/15	1,795,868 A *	3/1931	Krug	.....	A01L 7/00	168/14
1,000,215 A *	8/1911	Veale	.....	A01L 1/04	168/13	1,889,856 A *	12/1932	Fruin	.....	A01L 1/04	168/14
1,111,861 A *	9/1914	Robnett	.....	A01L 1/04	168/13	2,085,347 A *	6/1937	Wachter	.....	A01L 5/00	168/13
						D867,684 S *	11/2019	Nooyen	.....	D30/148	

\* cited by examiner

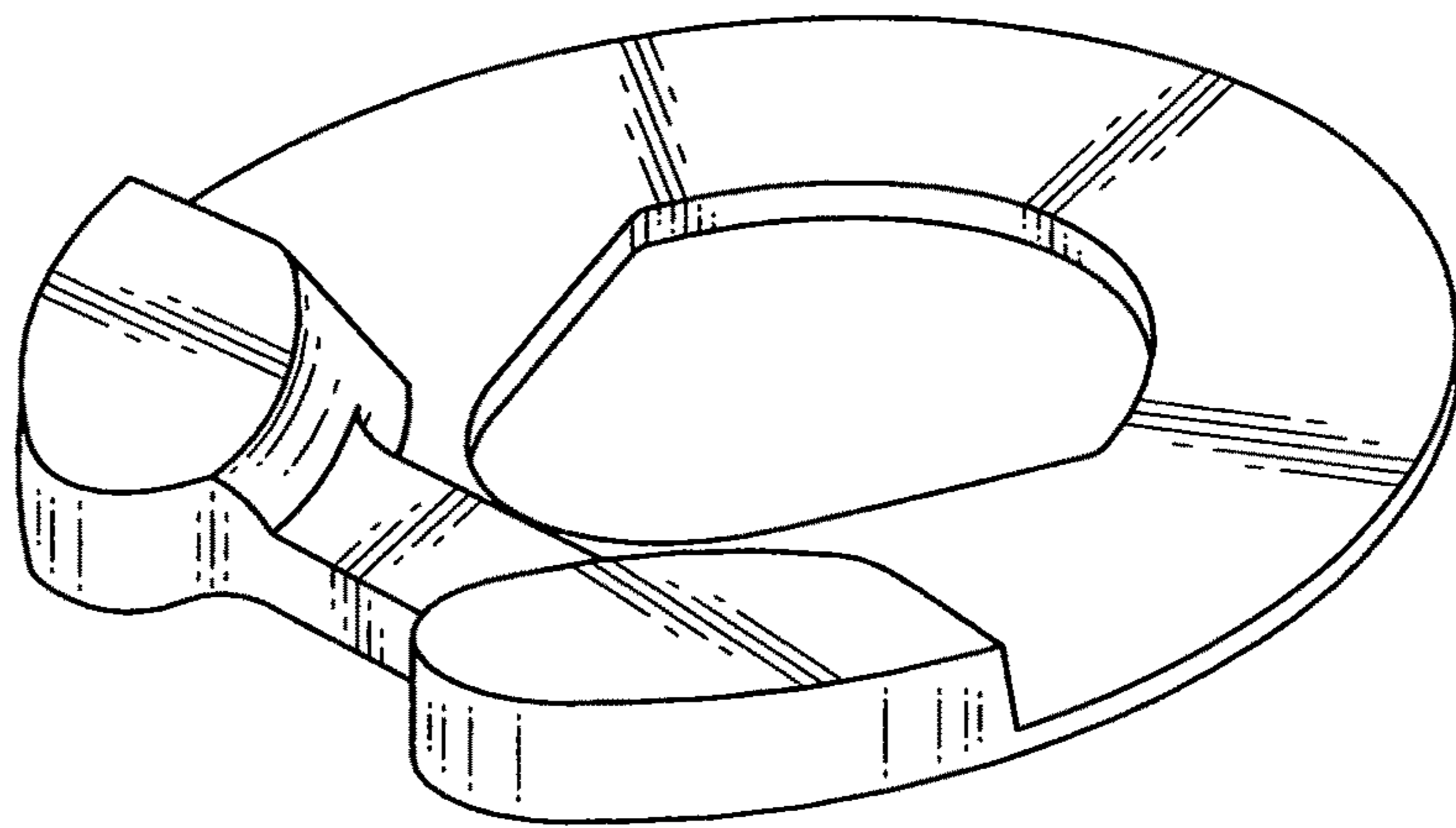


FIG. 1

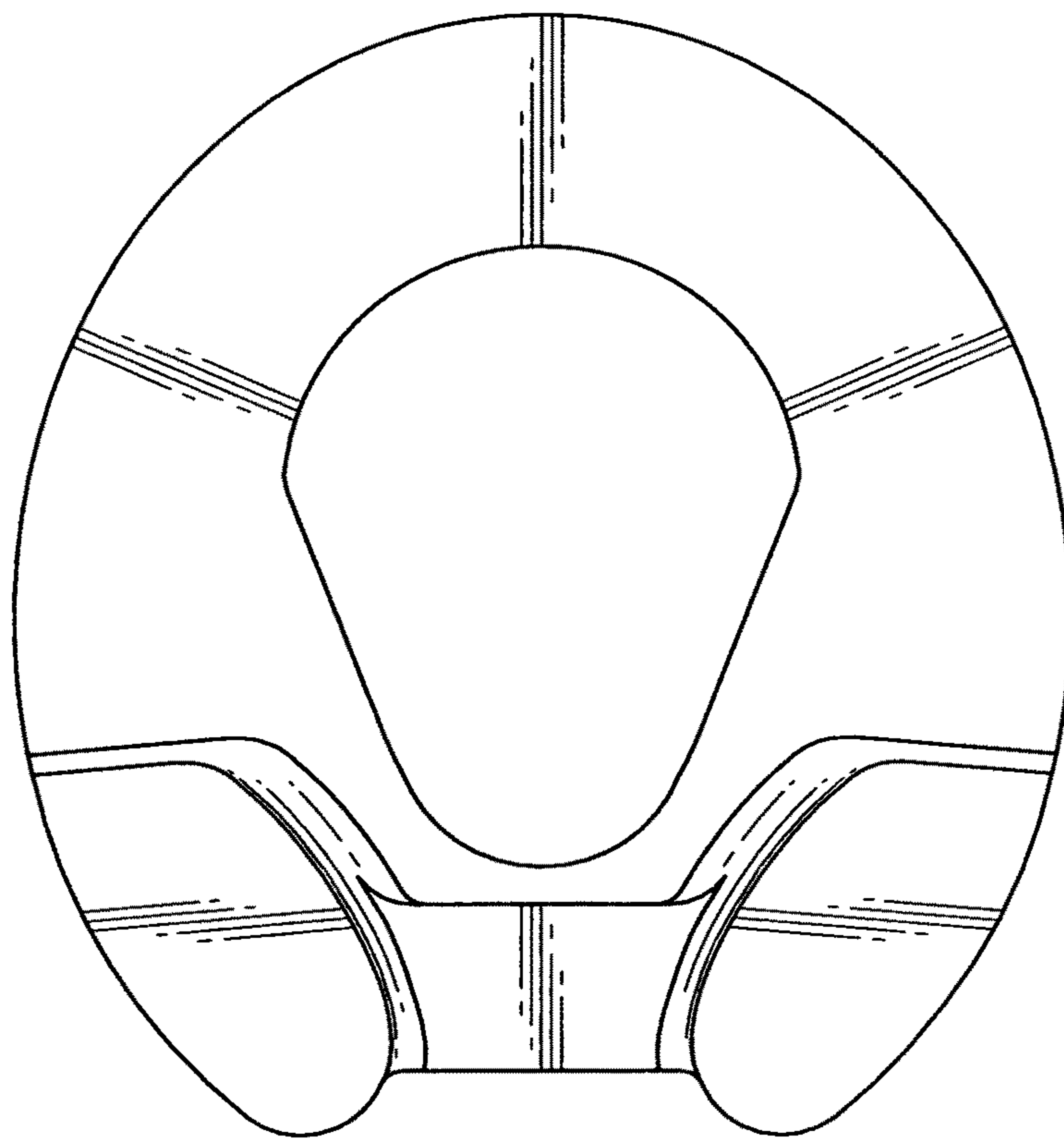


FIG. 2

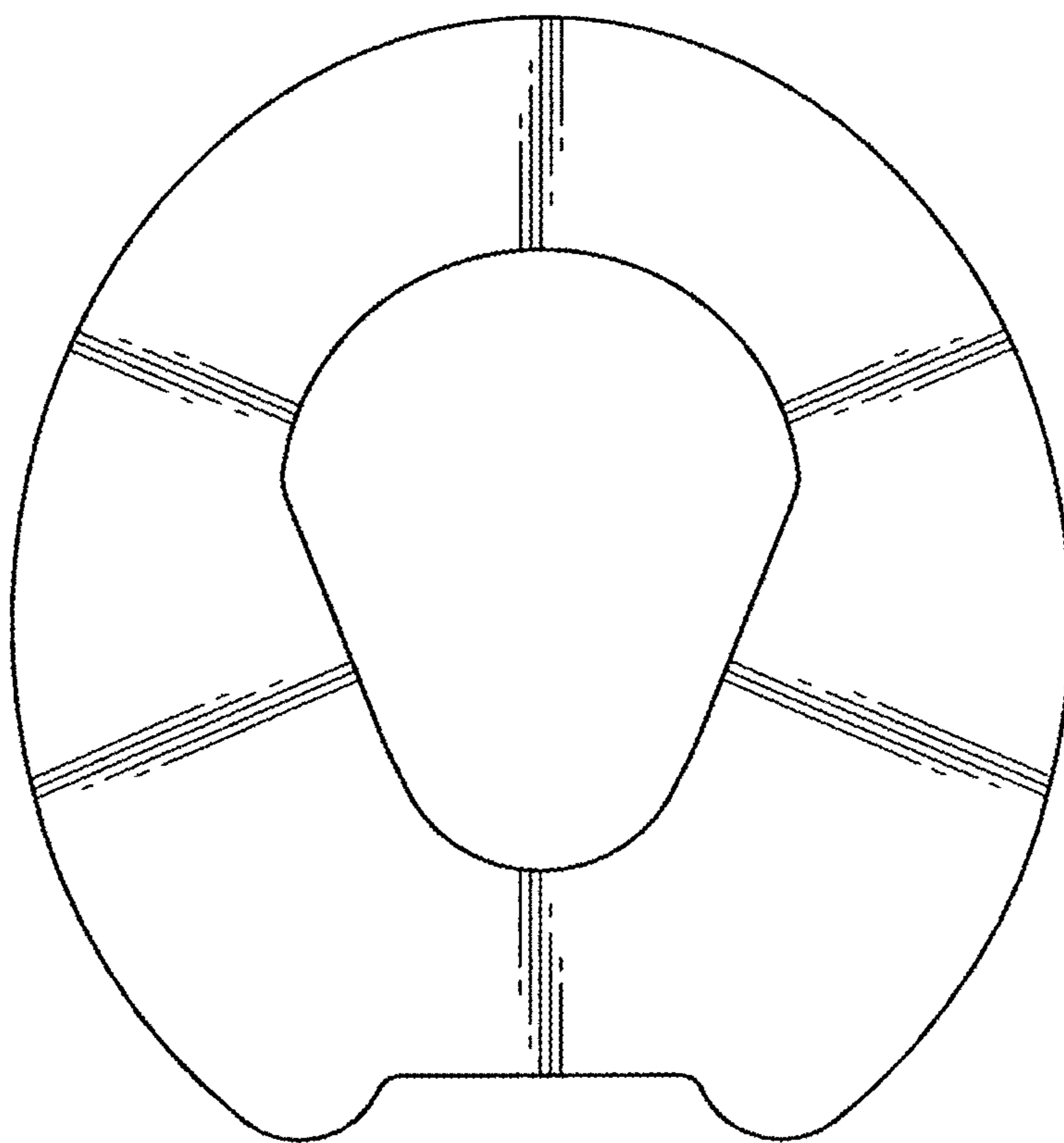


FIG. 3

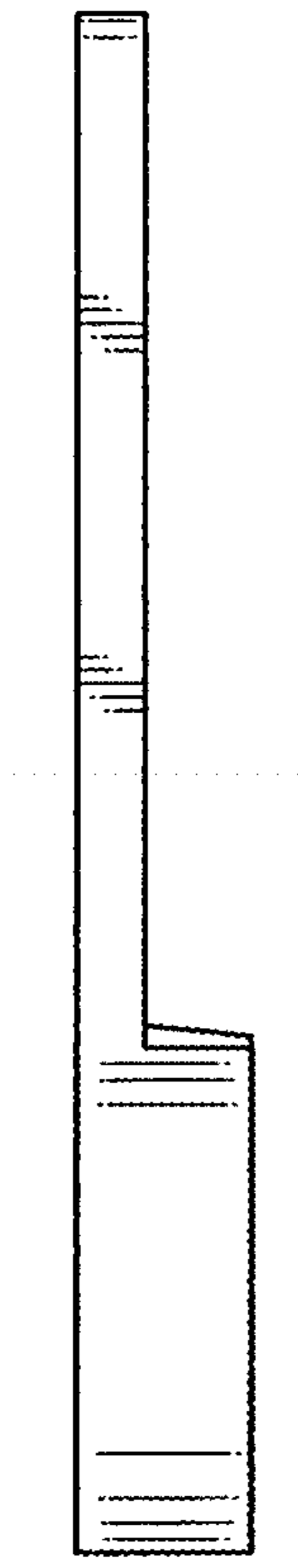


FIG. 4



FIG. 5

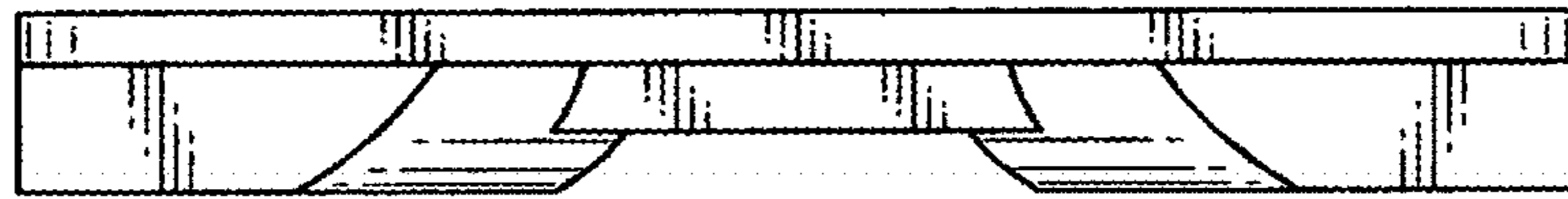


FIG. 6





FIG. 7