



US00D895905S

(12) **United States Design Patent** (10) **Patent No.:** **US D895,905 S**
Ross (45) **Date of Patent:** **** Sep. 8, 2020**

(54) **DOG MUG**

(71) Applicant: **HIGHWAVE**, Oxnard, CA (US)

(72) Inventor: **Gary Ross**, Oxnard, CA (US)

(73) Assignee: **HIGHWAVE**, Oxnard, CA (US)

(**) Term: **15 Years**

(21) Appl. No.: **29/651,906**

(22) Filed: **Jun. 13, 2019**

(51) **LOC (12) Cl.** **30-07**

(52) **U.S. Cl.**
USPC **D30/121; D30/132**

(58) **Field of Classification Search**
USPC D30/121, 122, 129–133; D9/435, 440,
D9/443, 516, 522, 528, 531, 545, 549,
D9/564, 715, 716, 719; D3/202
CPC A01K 5/00; A01K 9/00; A01K 5/0114;
A01K 5/0121; A01K 5/0135; A01K
7/005; A01K 7/00; A01K 39/04; A01K
39/0213

See application file for complete search history.

(56) **References Cited**

U.S. PATENT DOCUMENTS

5,992,702	A *	11/1999	Shapiro	A01K 7/00 222/192
8,196,622	B1 *	6/2012	Fisher	B67C 11/02 141/330
8,807,083	B1 *	8/2014	Ross	A01K 7/00 119/72
D741,025	S *	10/2015	Ross	D30/121
D770,100	S *	10/2016	Burroughs	D30/121
D826,548	S *	8/2018	Hume	D3/202
D836,904	S *	1/2019	Arman	D3/202
D857,374	S *	8/2019	Lane	D3/202
2015/0298867	A1 *	10/2015	Sanderson	A01K 7/00 215/6
2016/0050884	A1 *	2/2016	Ross	A01K 7/00 119/74
2016/0366852	A1 *	12/2016	Burroughs	A01K 7/00

OTHER PUBLICATIONS

“AutoDogMug Leak-Tight Growler” available Jul. 13, 2019, [online], [site visited Oct. 20, 2019]. Retrieved from Internet, URL:https://highwave.com/collections/pet/products/growler (Year: 2019).*
“Autodogmug 44oz Growler by Highwave” available via YouTube Sep. 3, 2019, [online], [site visited]. Retrieved from Internet, URL: https://www.youtube.com/watch?v=FSI_3yhQKIU (Year: 2019).*

* cited by examiner

Primary Examiner — Michael C Stout

Assistant Examiner — Katrina N Gonzalez

(74) *Attorney, Agent, or Firm* — Jonathan Grant; Grant Patent Services

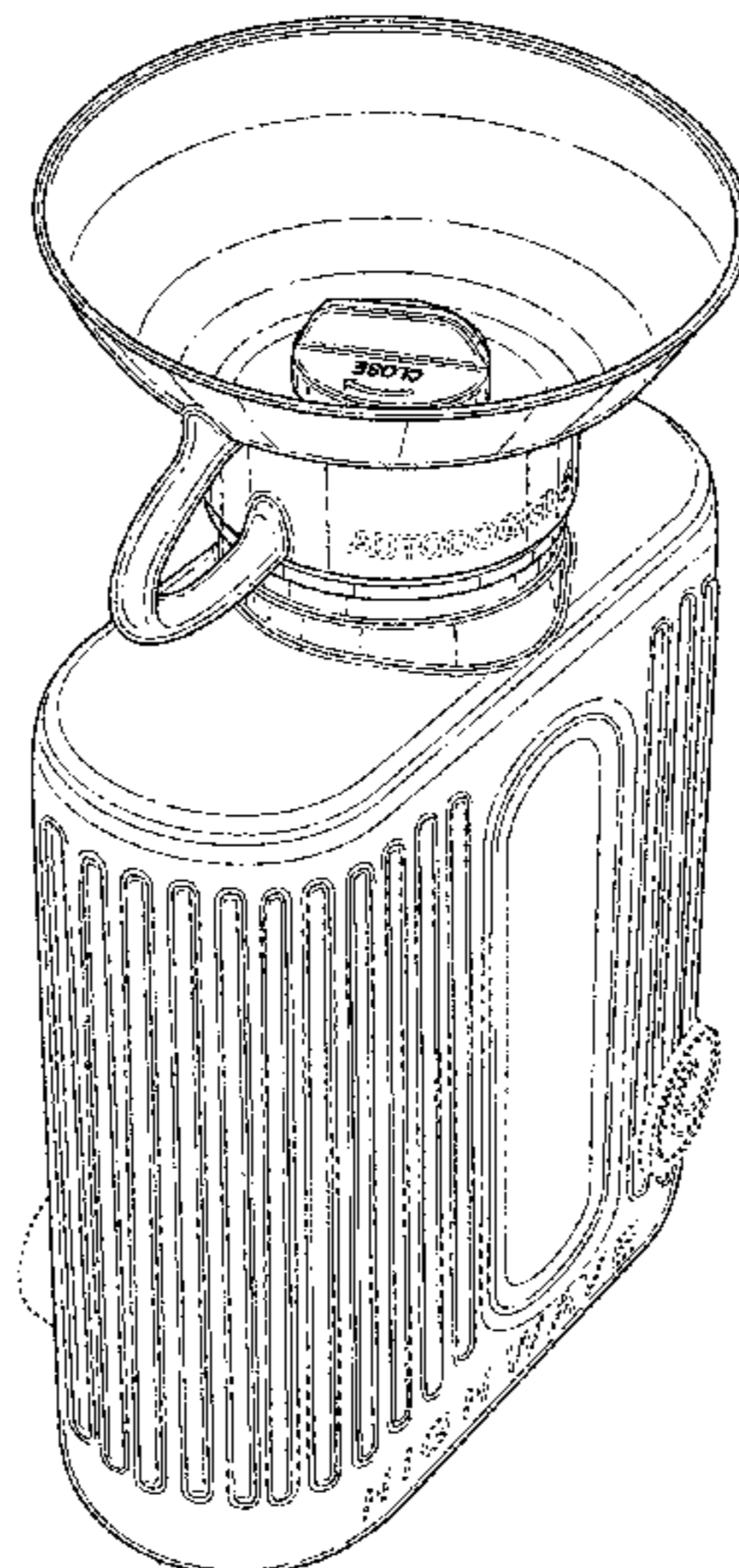
(57) **CLAIM**

The ornamental design for a dog mug, as shown and described.

DESCRIPTION

FIG. 1—is a perspective view of a dog mug;
FIG. 2—is a front view thereof;
FIG. 3—is a rear view thereof;
FIG. 4—is a first side-view thereof;
FIG. 5—is a second-side view thereof;
FIG. 6—is a top view thereof;
FIG. 7—is a bottom view thereof;
FIG. 8 is a top view of the drinking bowl, shown with the bottle removed for clarity of illustration;
FIG. 9 is a top view of the bottle, shown with the drinking bowl removed for clarity of illustration;
FIG. 10 is a bottom view of the bottle, shown with the drinking bowl removed for clarity of illustration; and,
FIG. 11 is a bottom view of the drinking bowl, shown with the bottle removed for clarity of illustration.
The broken lines illustrate portions of the dog mug that form no part of the claimed design.

1 Claim, 9 Drawing Sheets



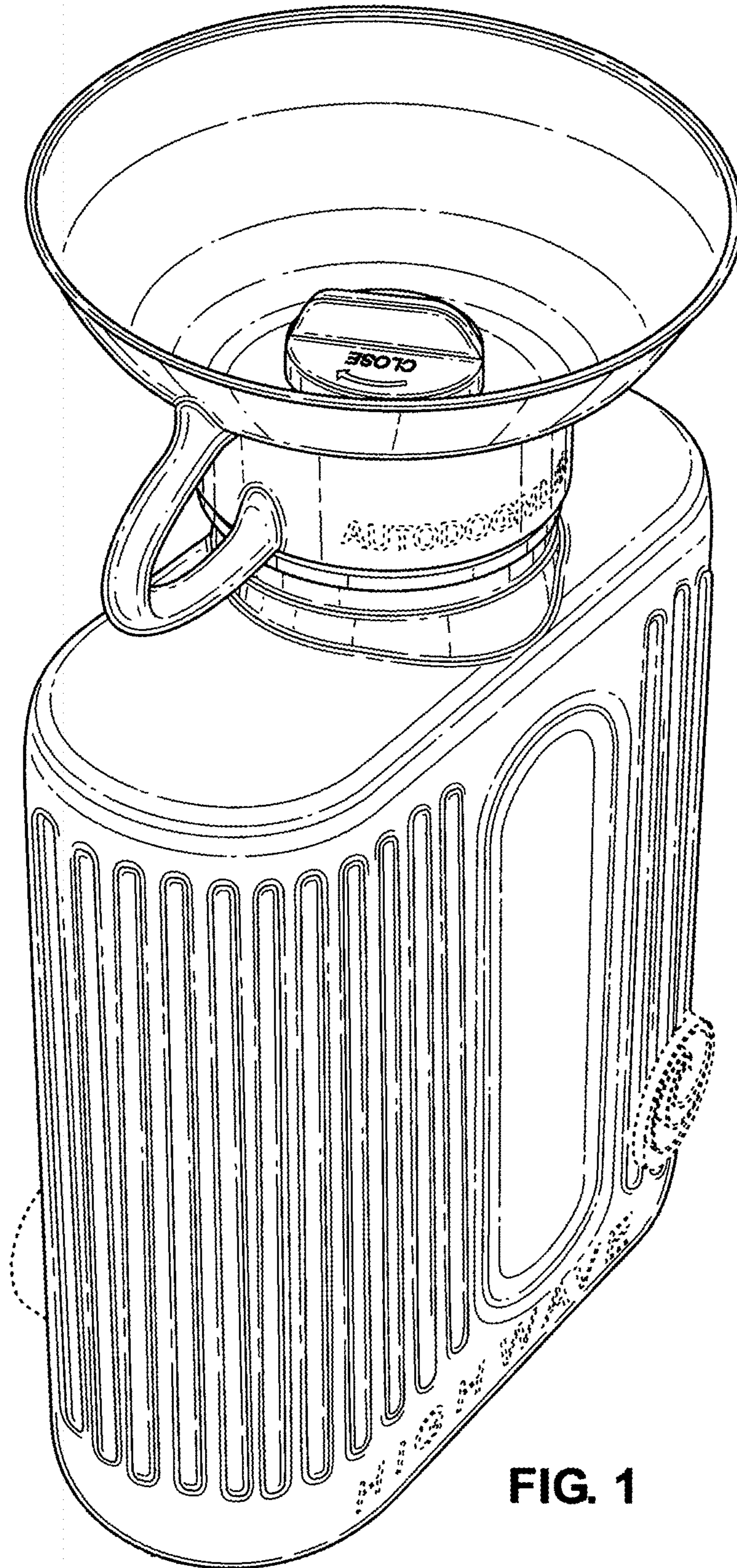


FIG. 1

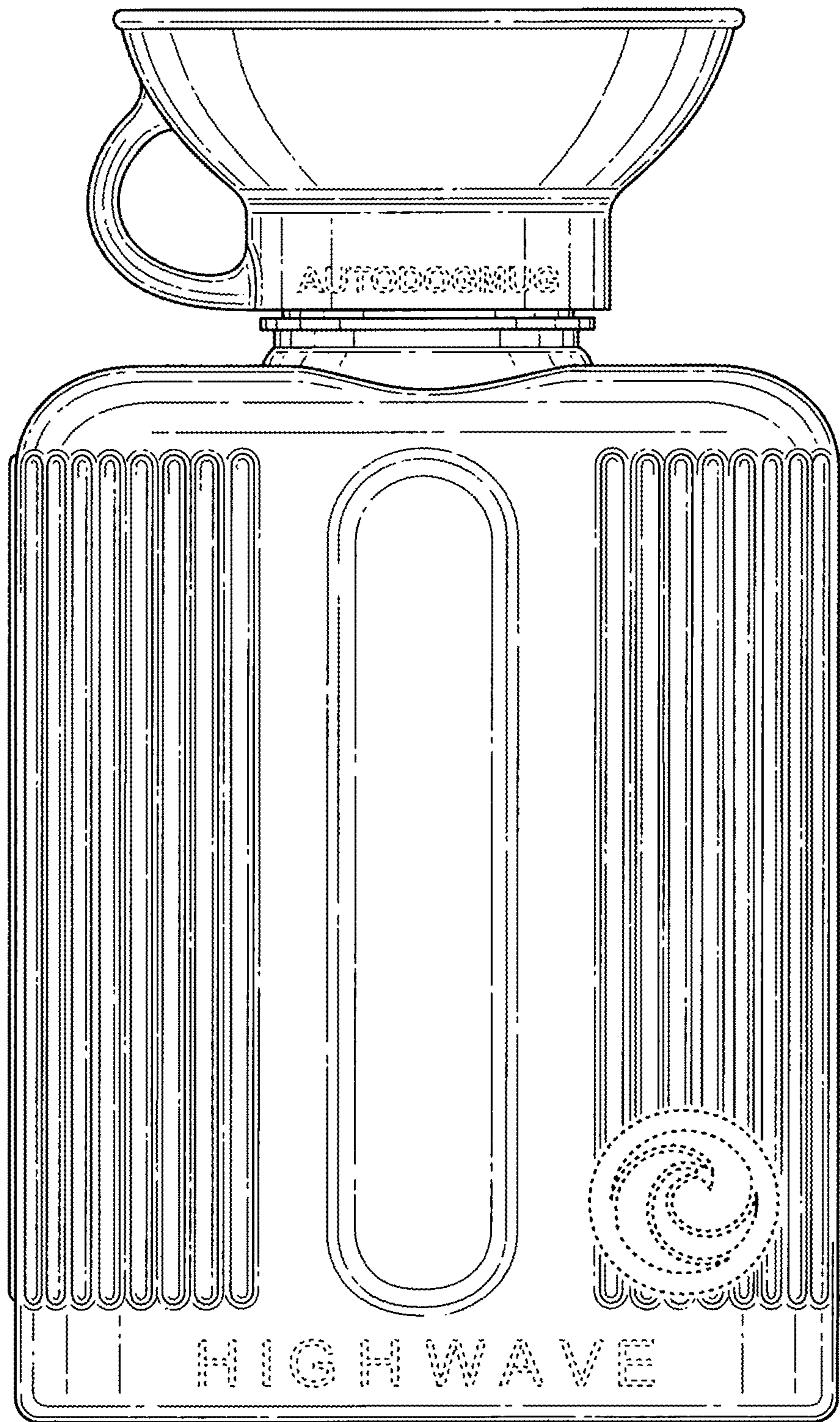


FIG. 2

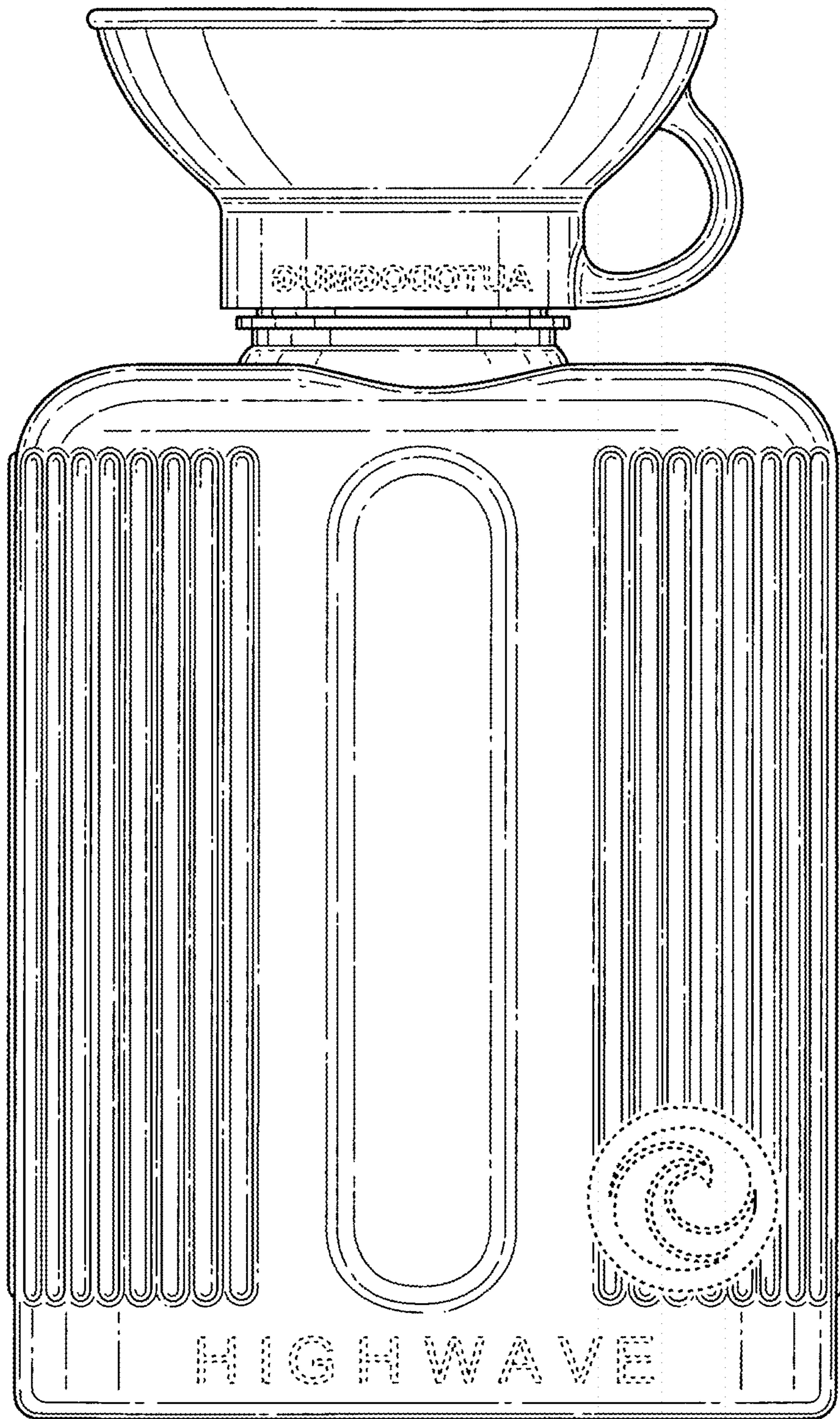


FIG. 3

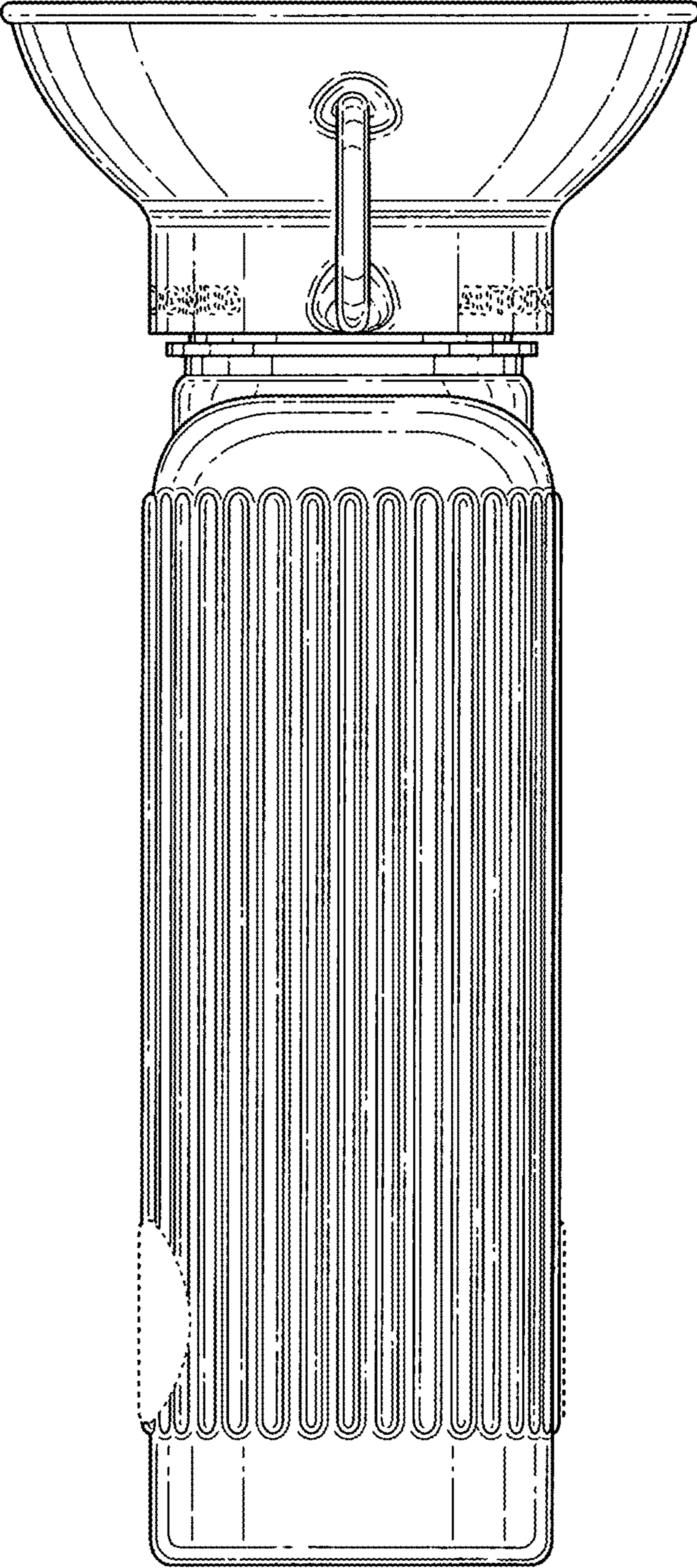


FIG. 4

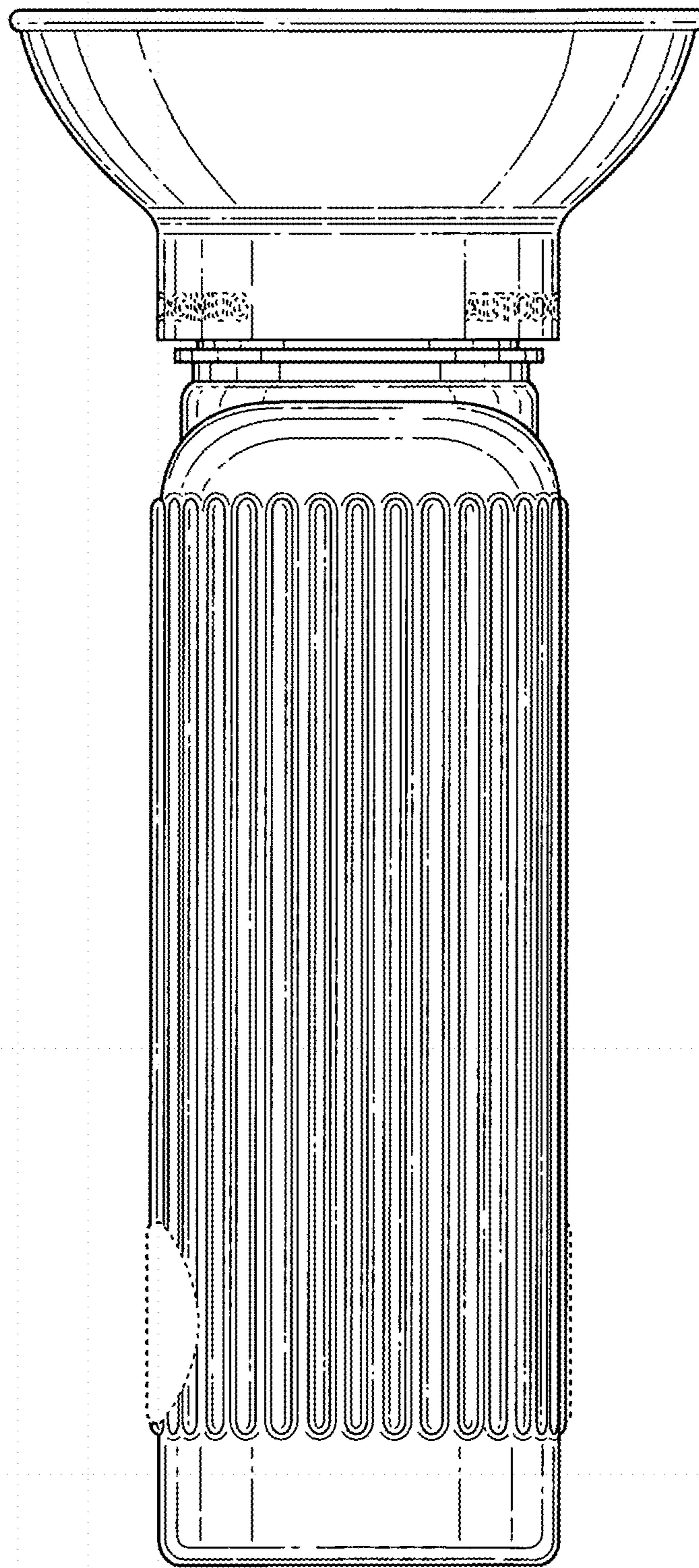


FIG. 5

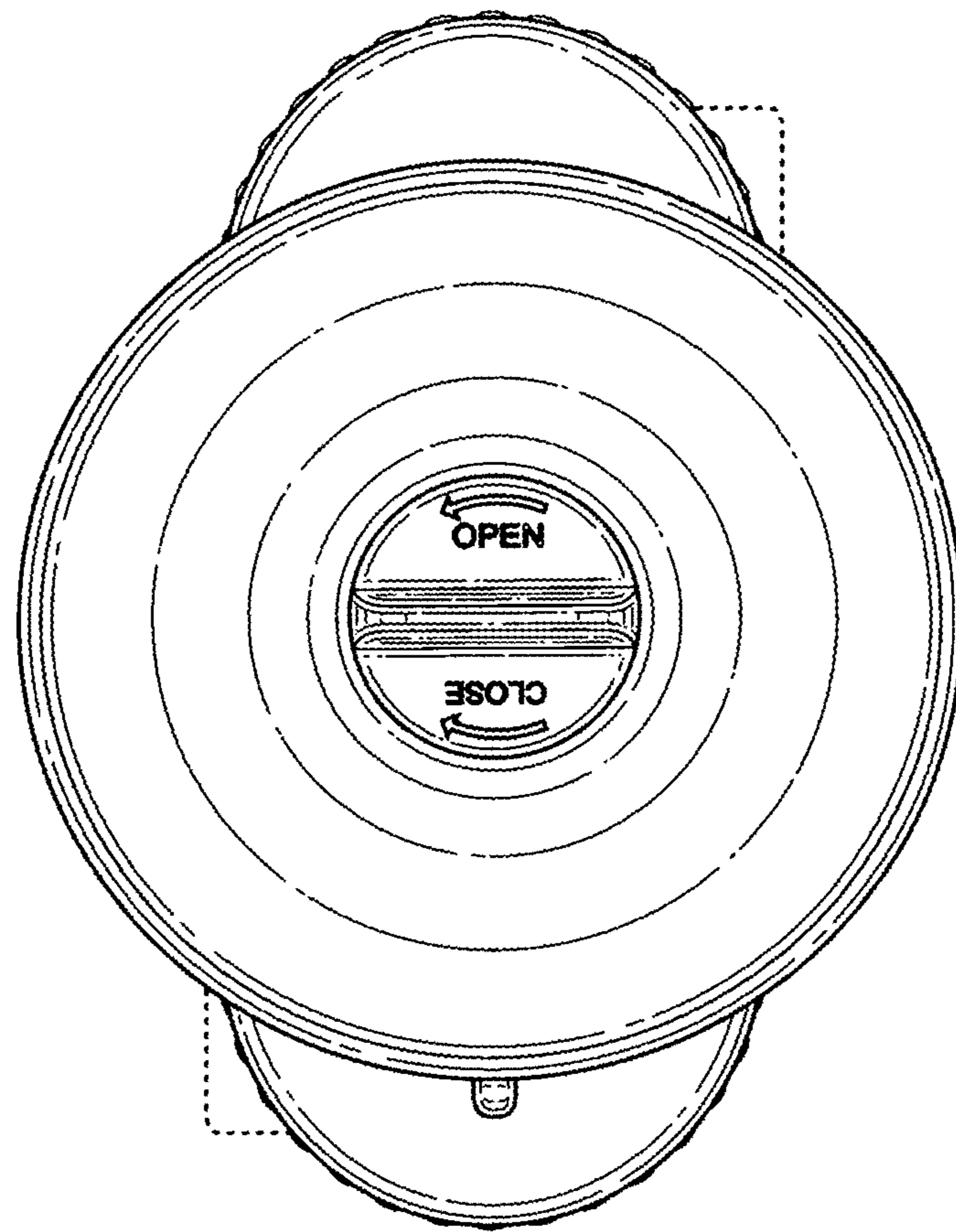


FIG. 6

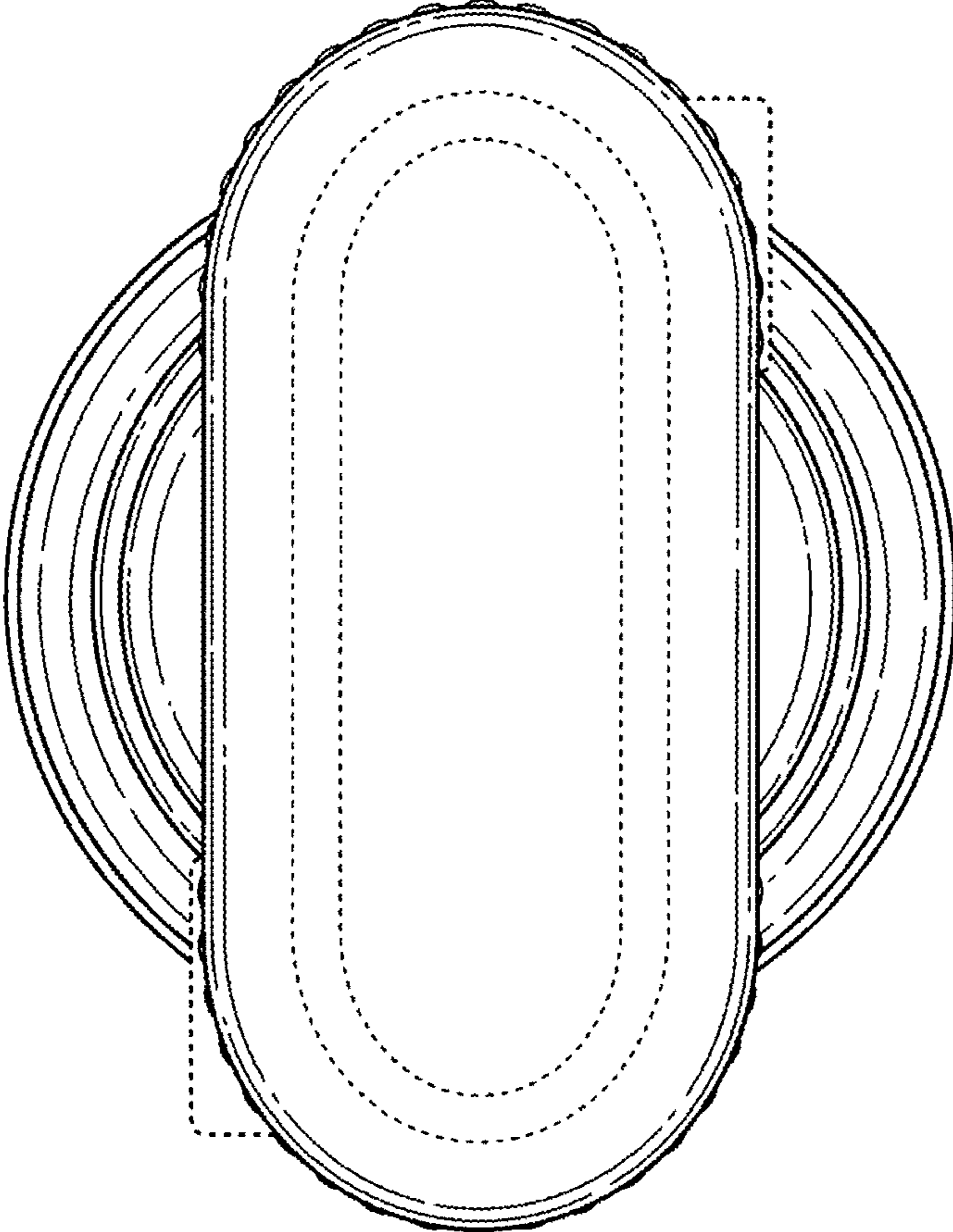


FIG. 7

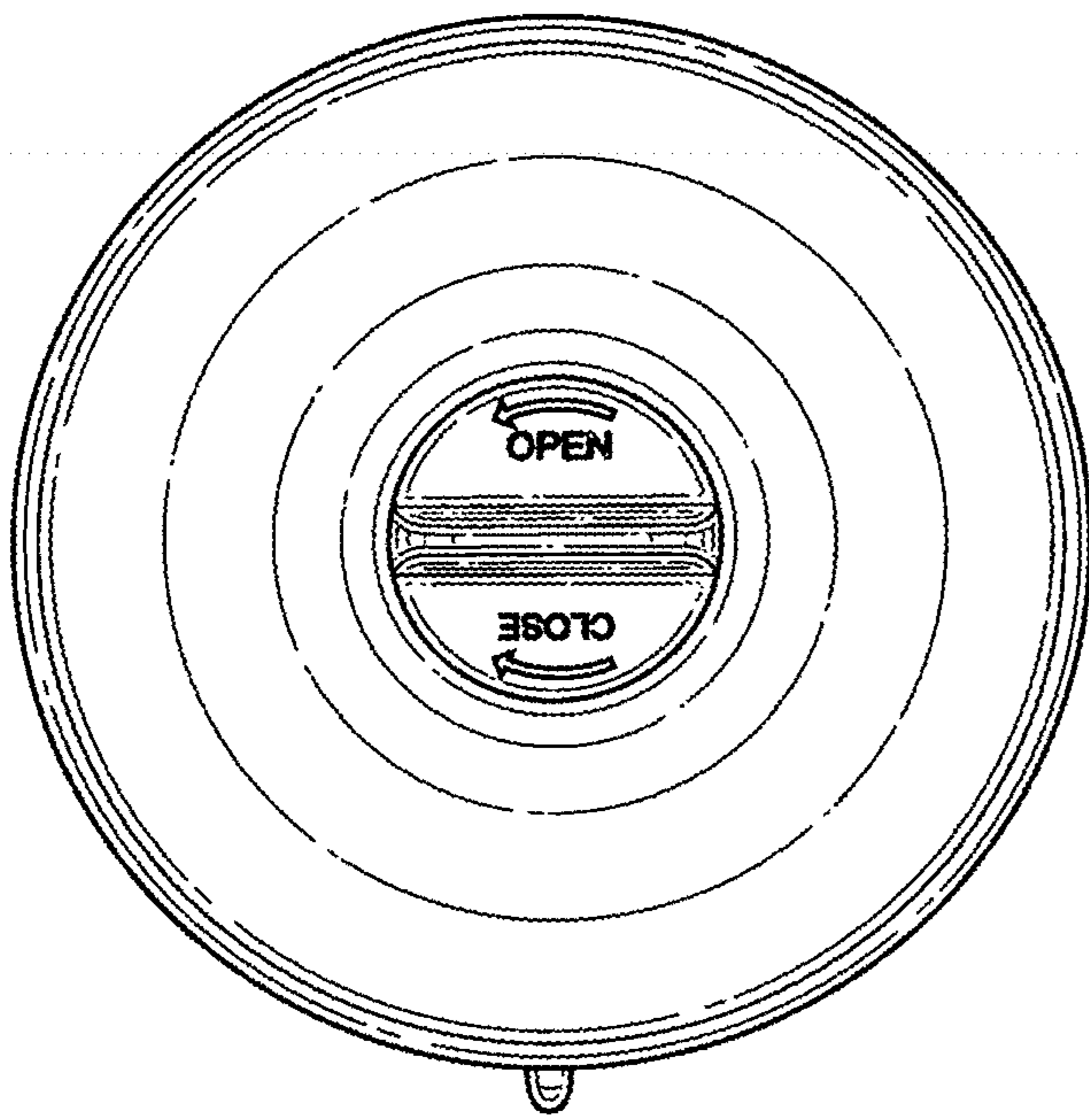


FIG. 8

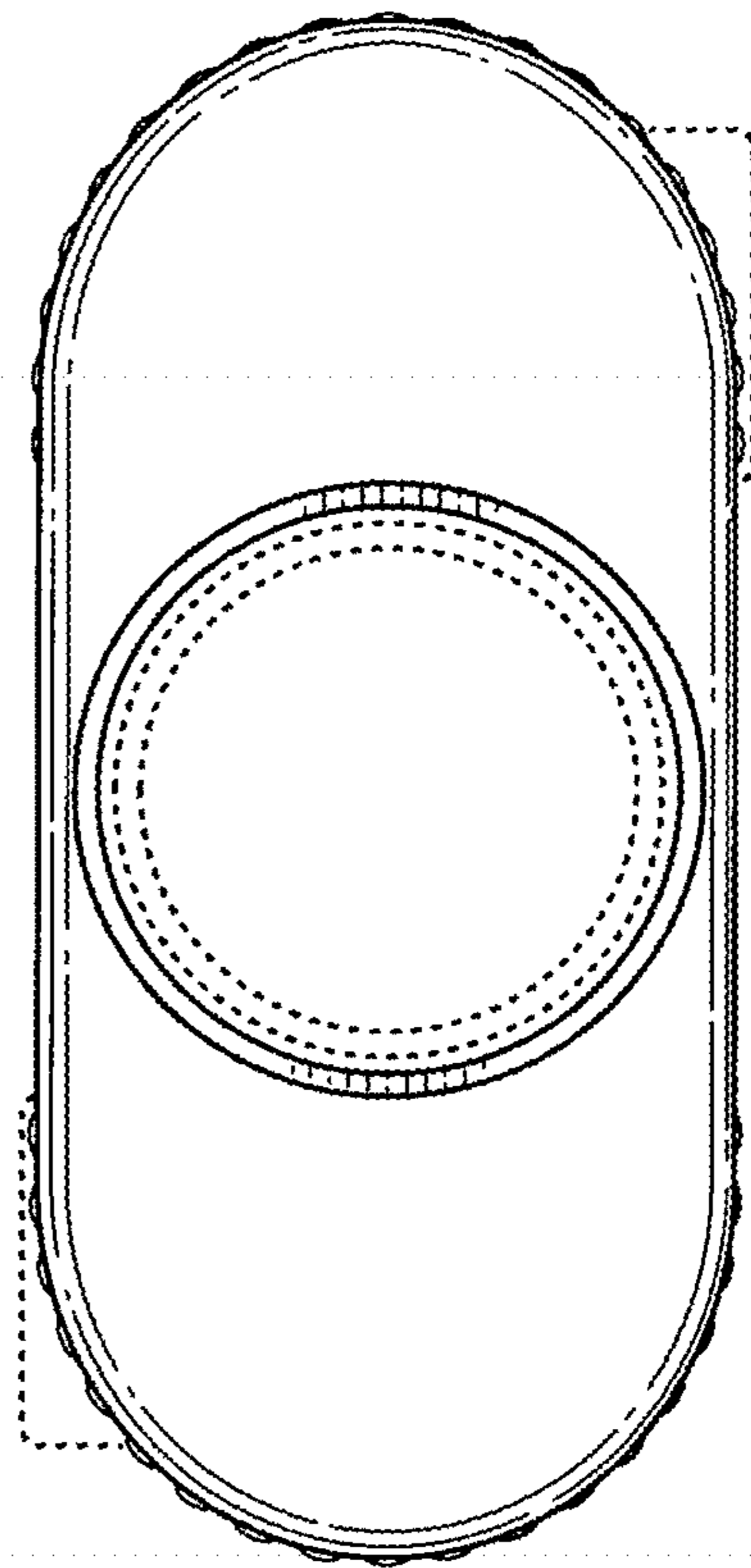


FIG. 9

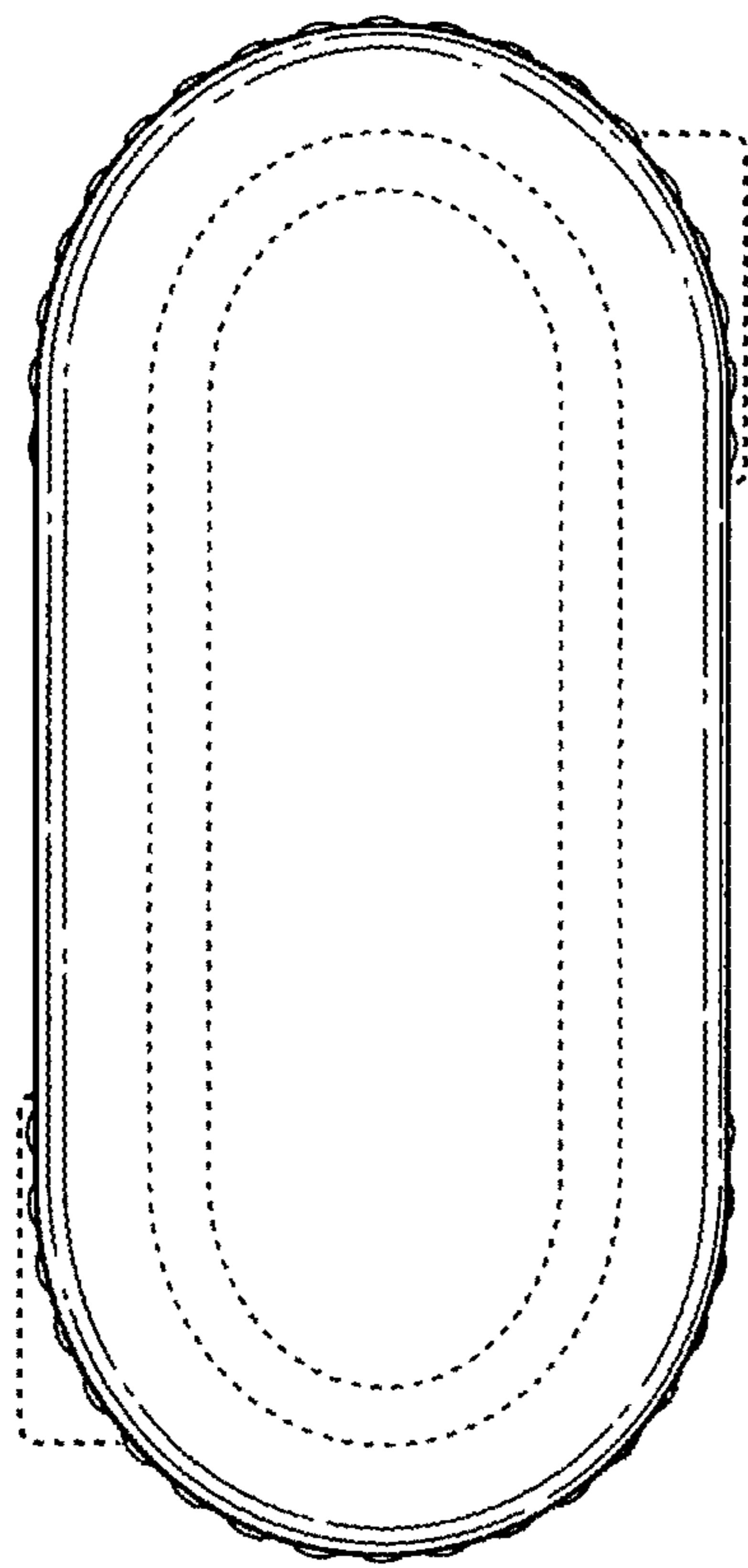


FIG. 10

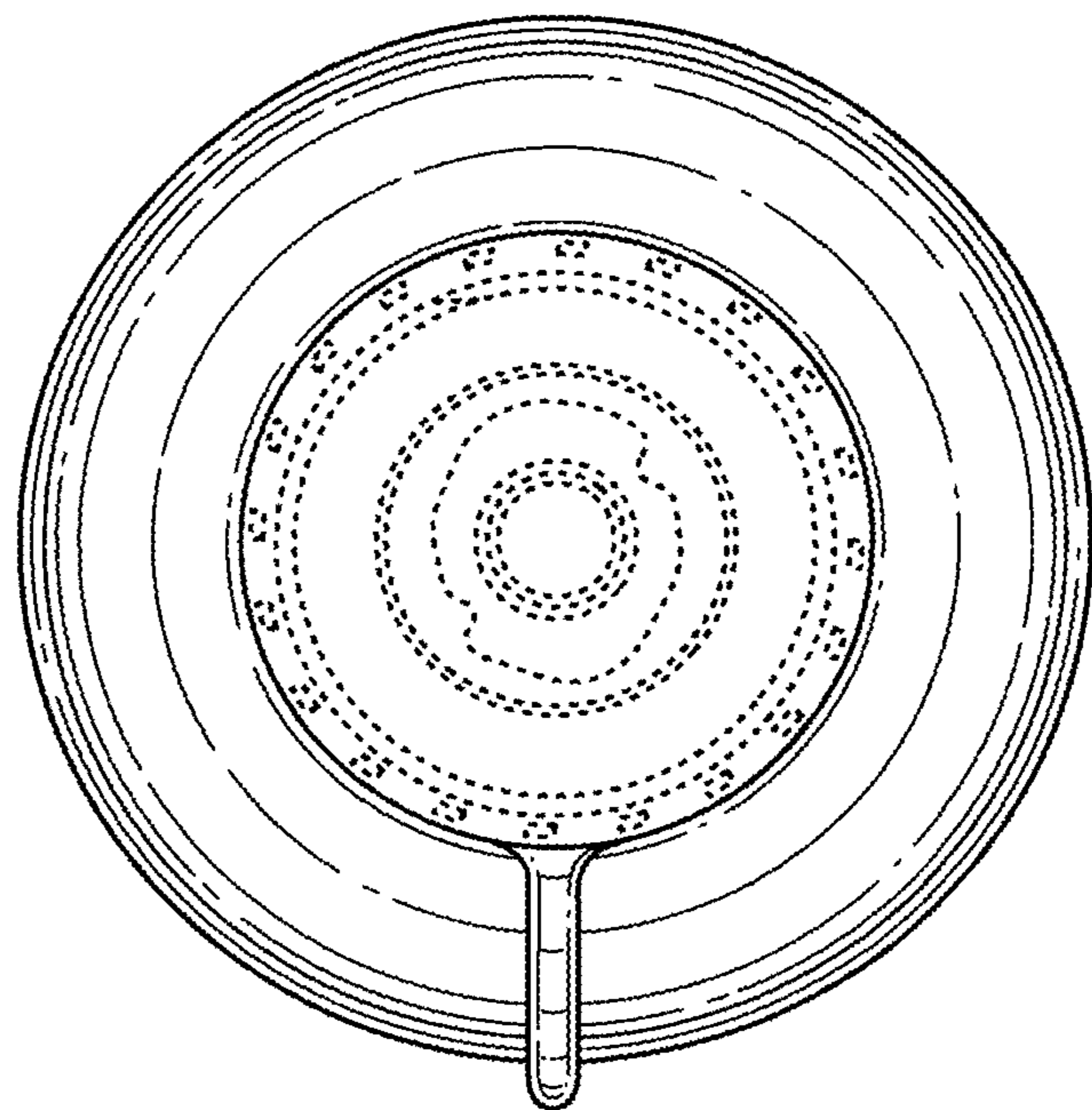


FIG. 11