

US00D895904S

(12) **United States Design Patent** (10) **Patent No.:** **US D895,904 S**  
**Ross** (45) **Date of Patent:** **\*\* Sep. 8, 2020**

(54) **DOG MUG**

(71) Applicant: **HIGHWAVE**, Oxnard, CA (US)

(72) Inventor: **Gary Ross**, Oxnard, CA (US)

(73) Assignee: **HIGHWAVE**, Oxnard, CA (US)

(\*\*) Term: **15 Years**

(21) Appl. No.: **29/651,904**

(22) Filed: **Jun. 13, 2019**

(51) **LOC (12) Cl.** ..... **30-07**

(52) **U.S. Cl.**  
USPC ..... **D30/121; D30/132**

(58) **Field of Classification Search**  
USPC ..... D30/121, 122, 129–133; D9/435, 440,  
D9/443, 516, 522, 528, 531, 545, 549,  
D9/564, 715, 716, 719; D3/202  
CPC ..... A01K 5/00; A01K 9/00; A01K 5/0114;  
A01K 5/0121; A01K 5/0135; A01K  
7/005; A01K 7/00; A01K 39/04; A01K  
39/0213

See application file for complete search history.

(56) **References Cited**

**U.S. PATENT DOCUMENTS**

5,992,702	A *	11/1999	Shapiro	.....	A01K 7/00 222/192
D633,745	S *	3/2011	Ross	.....	D7/300.1
D674,102	S *	1/2013	Smith	.....	D24/197
8,807,083	B1 *	8/2014	Ross	.....	A01K 7/00 119/72
D741,025	S *	10/2015	Ross	.....	D30/121
D770,100	S *	10/2016	Burroughs	.....	D30/121
2015/0298867	A1 *	10/2015	Sanderson	.....	A01K 7/00 215/6
2016/0050884	A1 *	2/2016	Ross	.....	A01K 7/00 119/74
2016/0366852	A1 *	12/2016	Burroughs	.....	A01K 7/00

**OTHER PUBLICATIONS**

“Autodogmug by Highwave” available via YouTube Dec. 18, 2018, [online], [site visited Oct. 20, 2019]. Retrieved from Internet, URL: <https://www.youtube.com/watch?v=ILHU8JyuzY0> (Year: 2018).\*  
“AutoDogMug Highwave” available Jan. 23, 2019, [online], [site visited Oct. 20, 2018]. Retrieved from Internet, URL: <https://highwave.com/products/autodogmug> (Year: 2019).\*  
“AutoDogMug Leak-Tight” available May 13, 2019, [online], [site visited Oct. 20, 2019]. Retrieved from Internet, URL: <https://highwave.com/collections/pet/products/autodogmug-leak-tight> (Year: 2019).\*

(Continued)

*Primary Examiner* — Michael C Stout

*Assistant Examiner* — Katrina N Gonzalez

(74) *Attorney, Agent, or Firm* — Jonathan E. Grant; Grant Patent Services

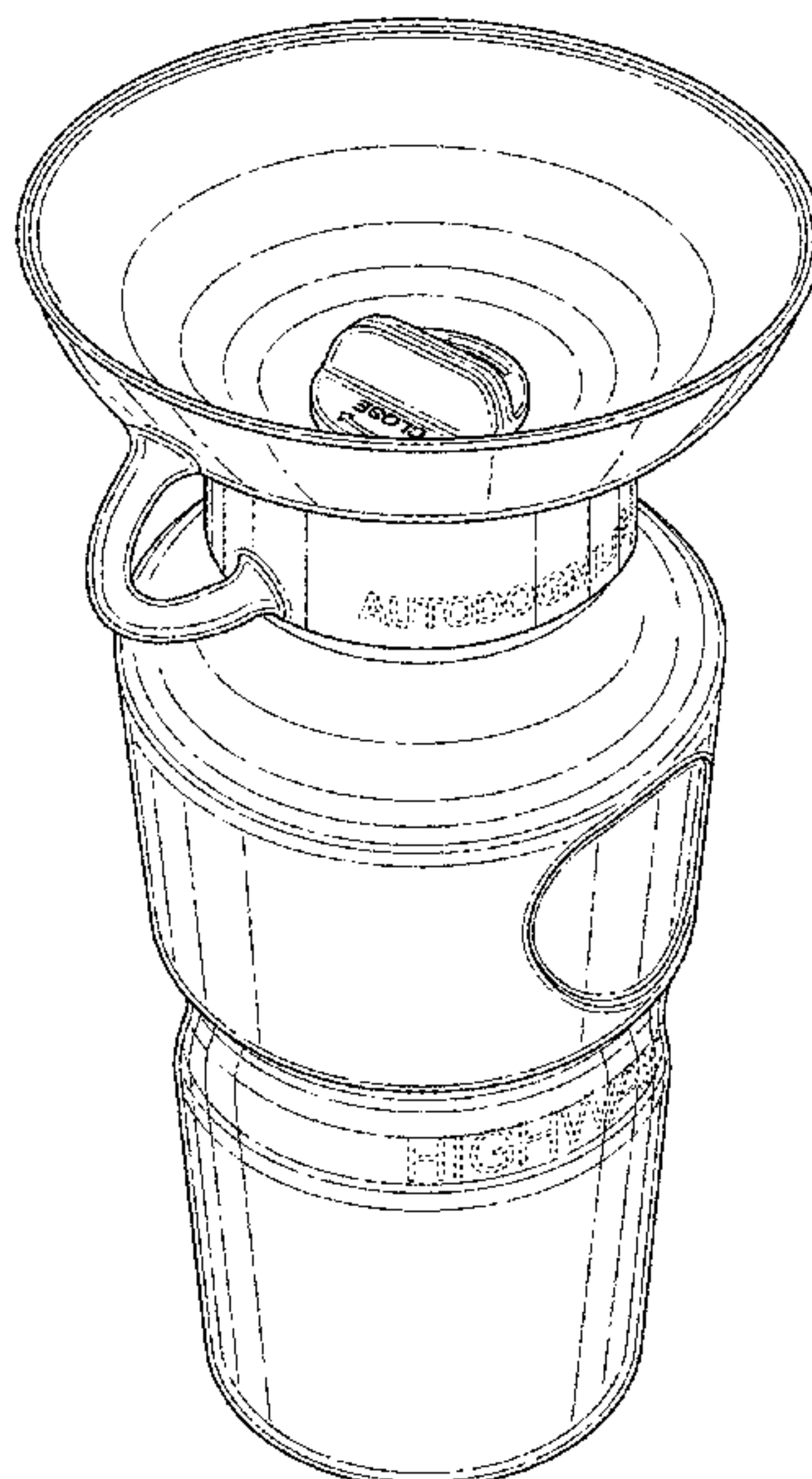
(57) **CLAIM**

The ornamental design for a dog mug, as shown and described.

**DESCRIPTION**

FIG. 1—is a perspective view of a dog mug;  
FIG. 2—is a front view thereof;  
FIG. 3—is a rear view thereof;  
FIG. 4—is a first side-view thereof;  
FIG. 5—is a second-side view thereof;  
FIG. 6—is a top view thereof;  
FIG. 7—is a bottom view thereof;  
FIG. 8—is a top view of the bottle shown with the drinking bowl removed for clarity of illustration;  
FIG. 9—is a bottom view thereof; and,  
FIG. 10—is a bottom view of the drinking bowl, shown with the bottle removed for clarity of illustration.  
The broken lines illustrate portions of the dog mug that form no part of the claimed design.

**1 Claim, 9 Drawing Sheets**



(56)

**References Cited**

OTHER PUBLICATIONS

“Highwave AutoDogMug Leak-Tight” available via YouTube Mar. 28, 2019, [online], [site visited Oct. 20, 2019]. Retrieved from Internet, URL:[https://www.youtube.com/watch?v=ysn\\_zRUHyhg](https://www.youtube.com/watch?v=ysn_zRUHyhg) (Year: 2019).\*

“AutoDogMug Travel Mug for Your Dog” available via Youtube Aug. 20, 2015, [online], [site visited Oct. 20, 2019]. Retrieved from Internet, URL:<https://www.youtube.com/watch?v=Bdn5IG73XDc> (Year: 2015).\*

\* cited by examiner

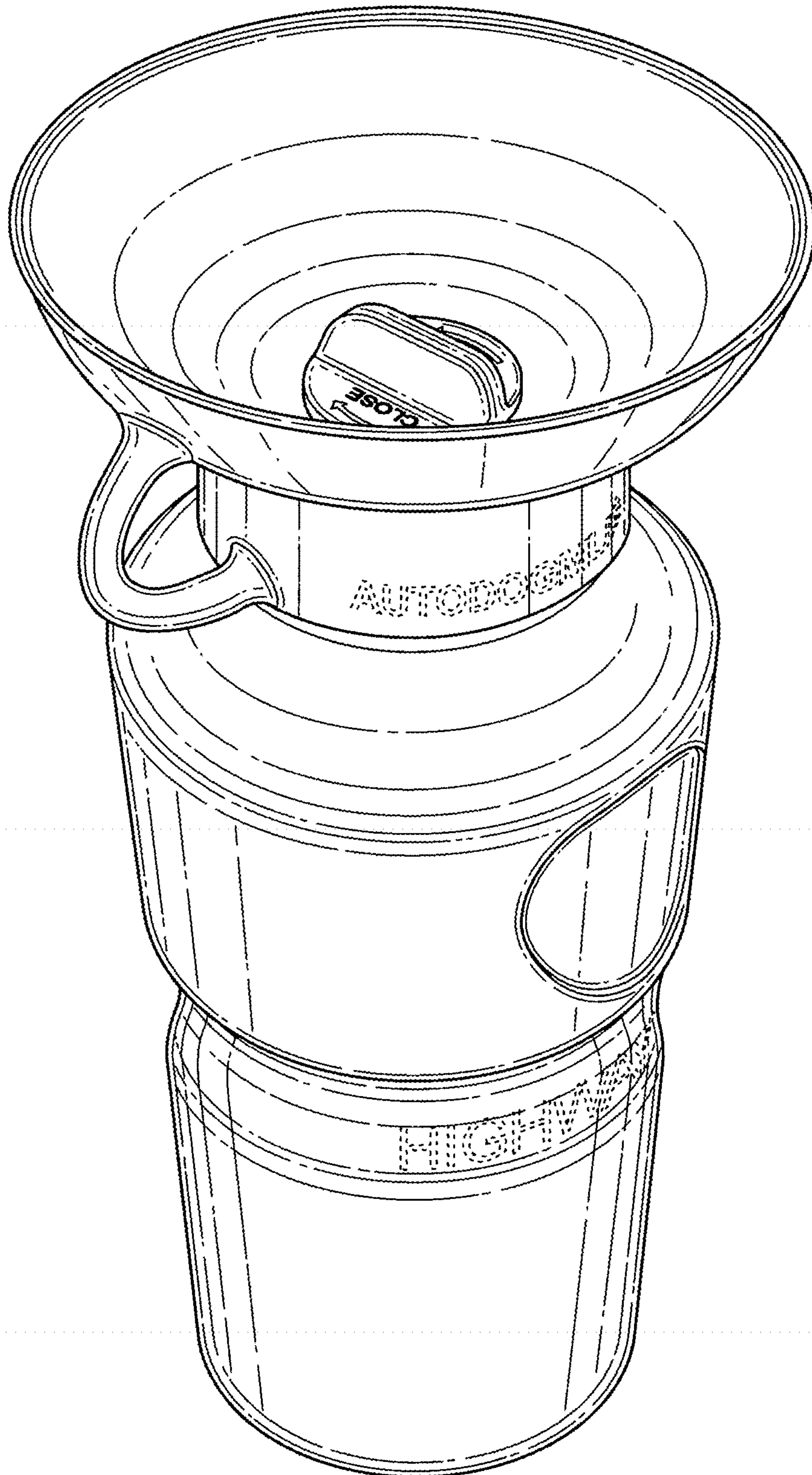


FIG. 1

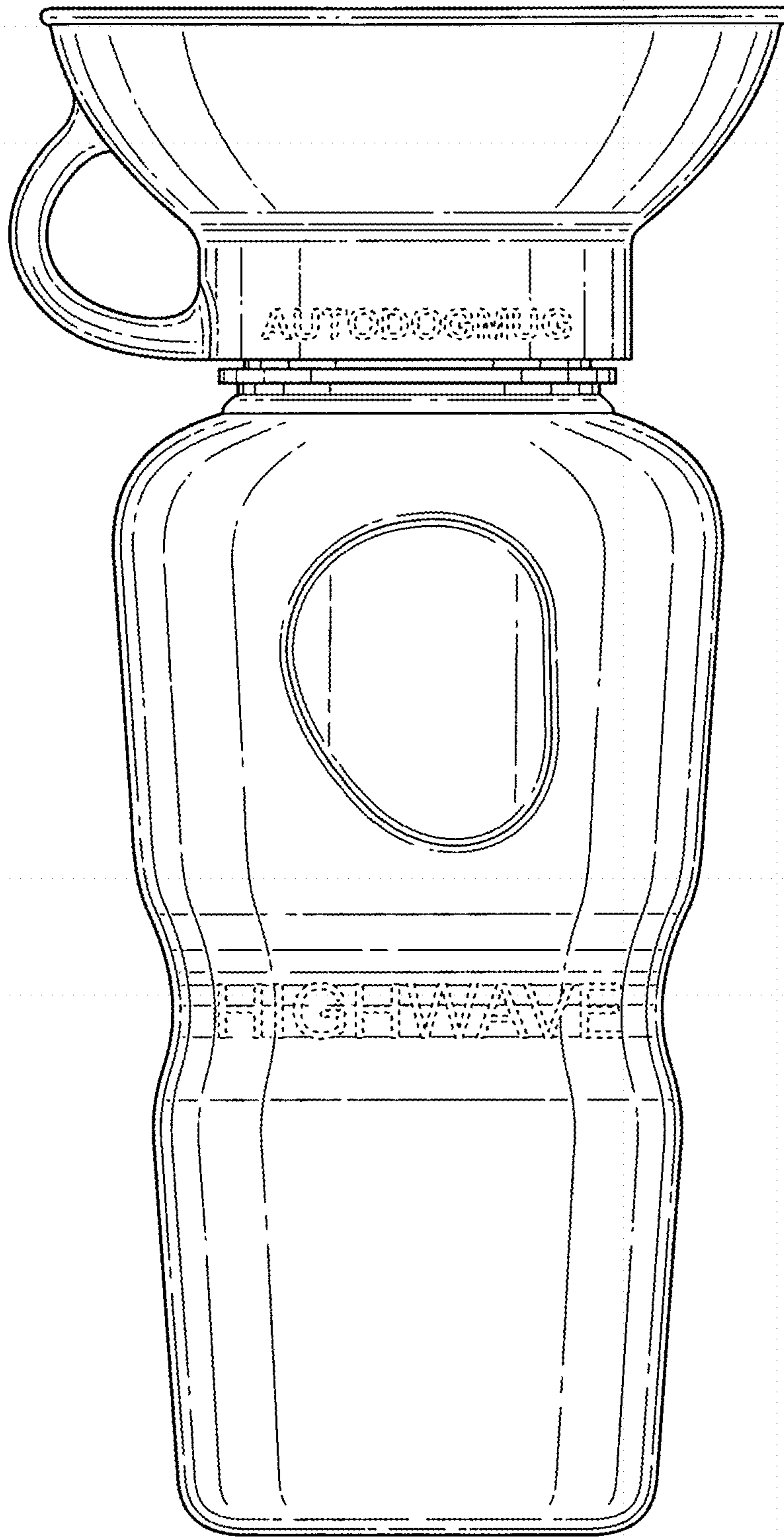


FIG. 2



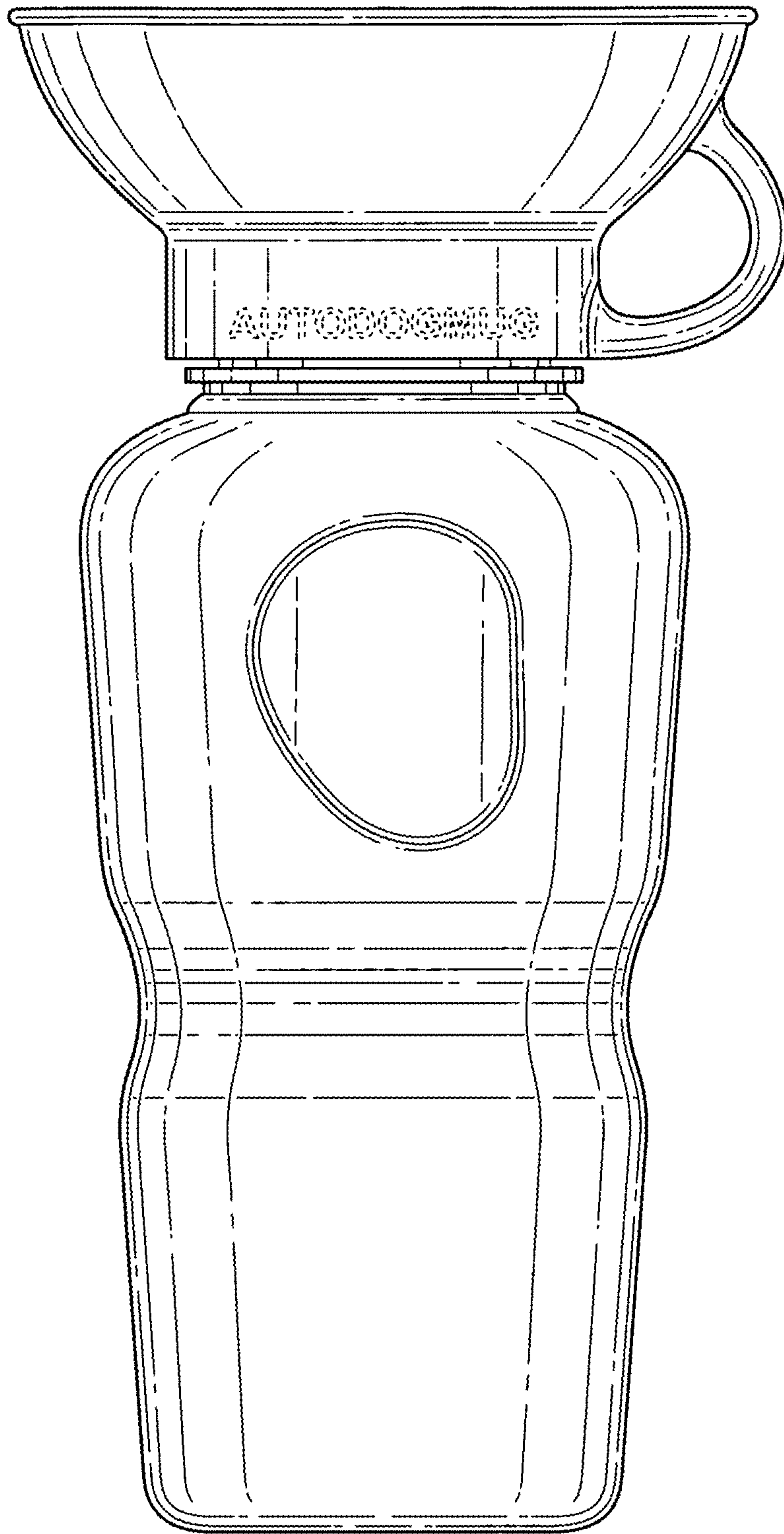


FIG. 3

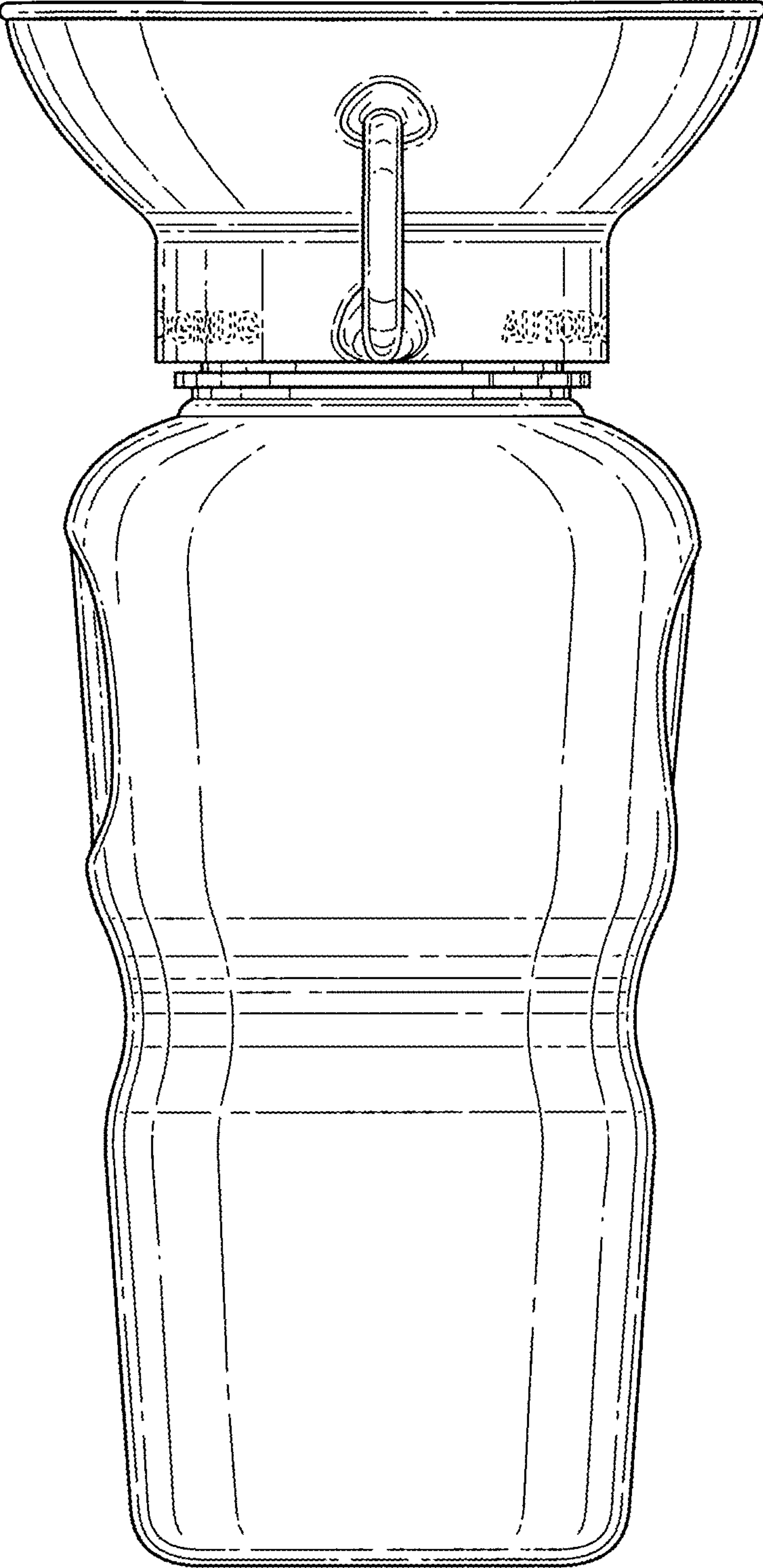


FIG. 4

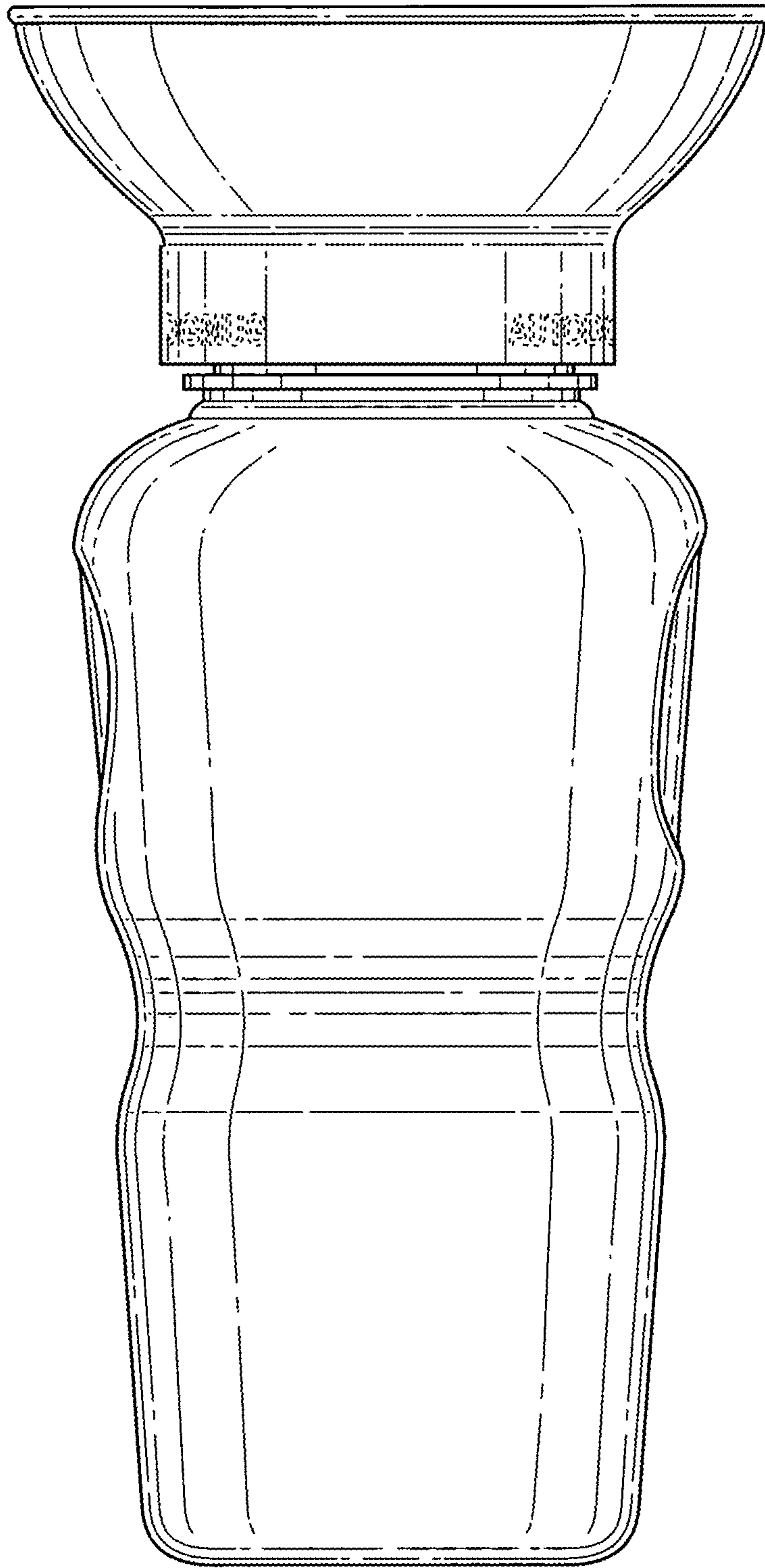


FIG. 5

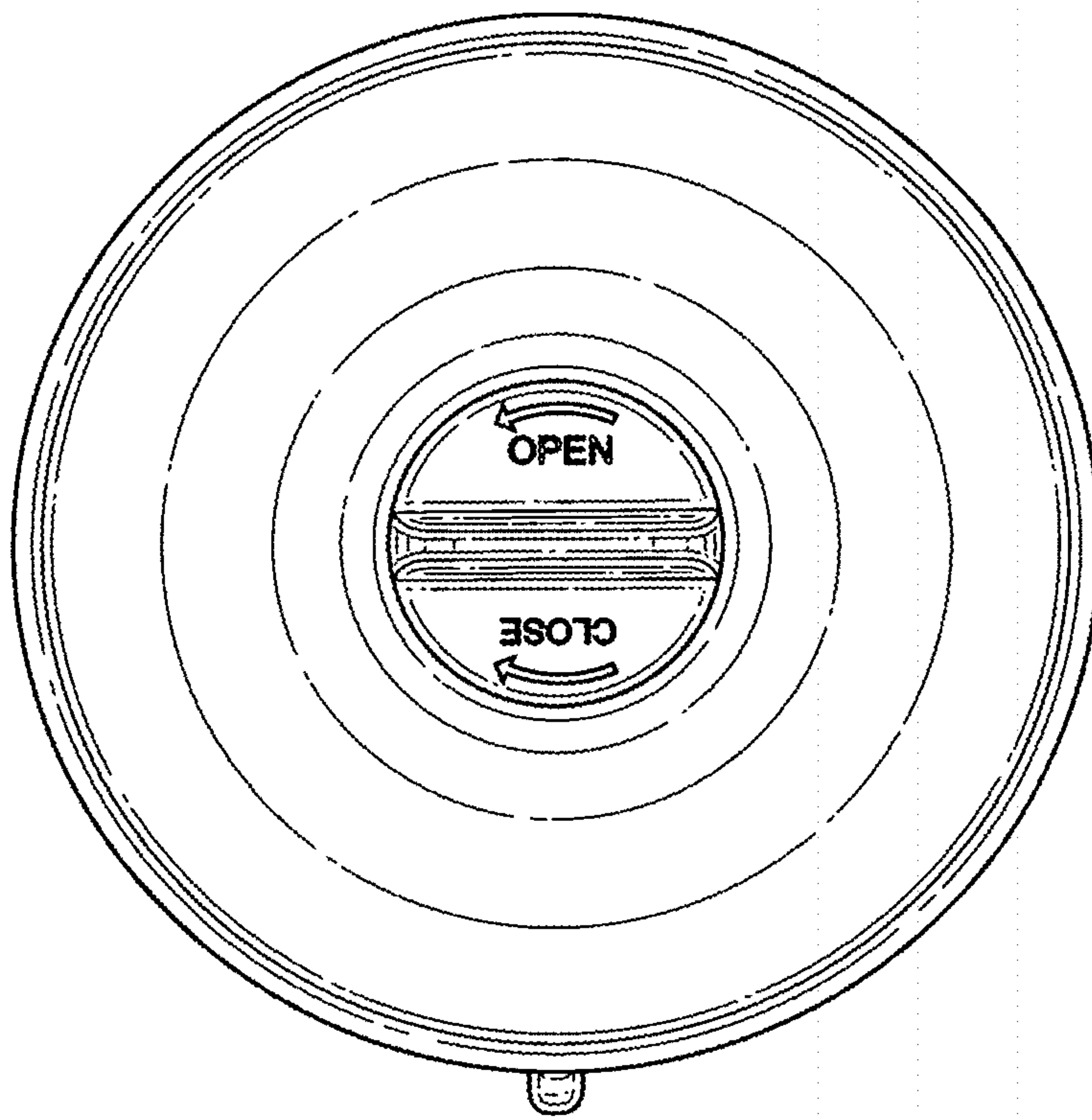
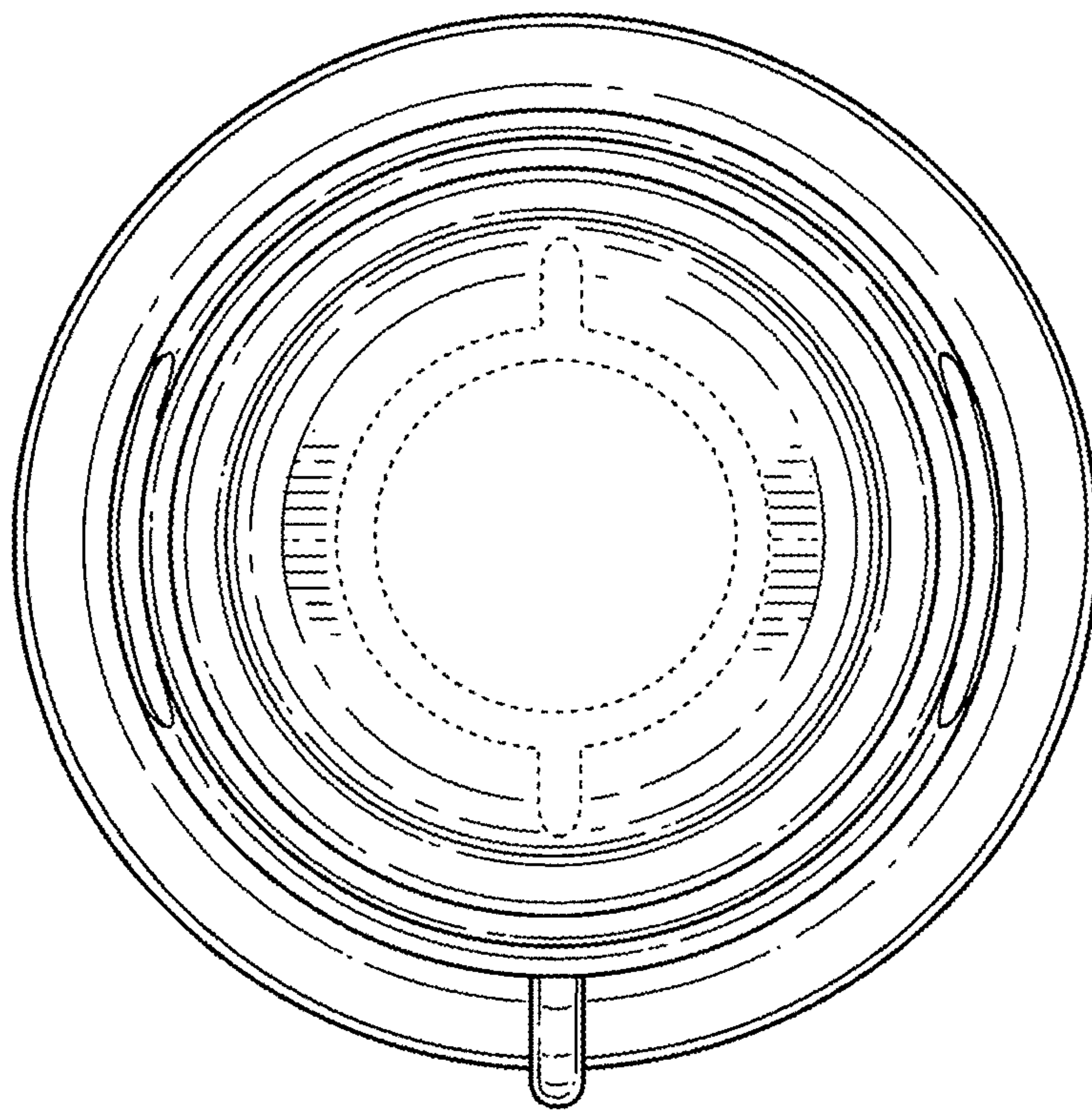
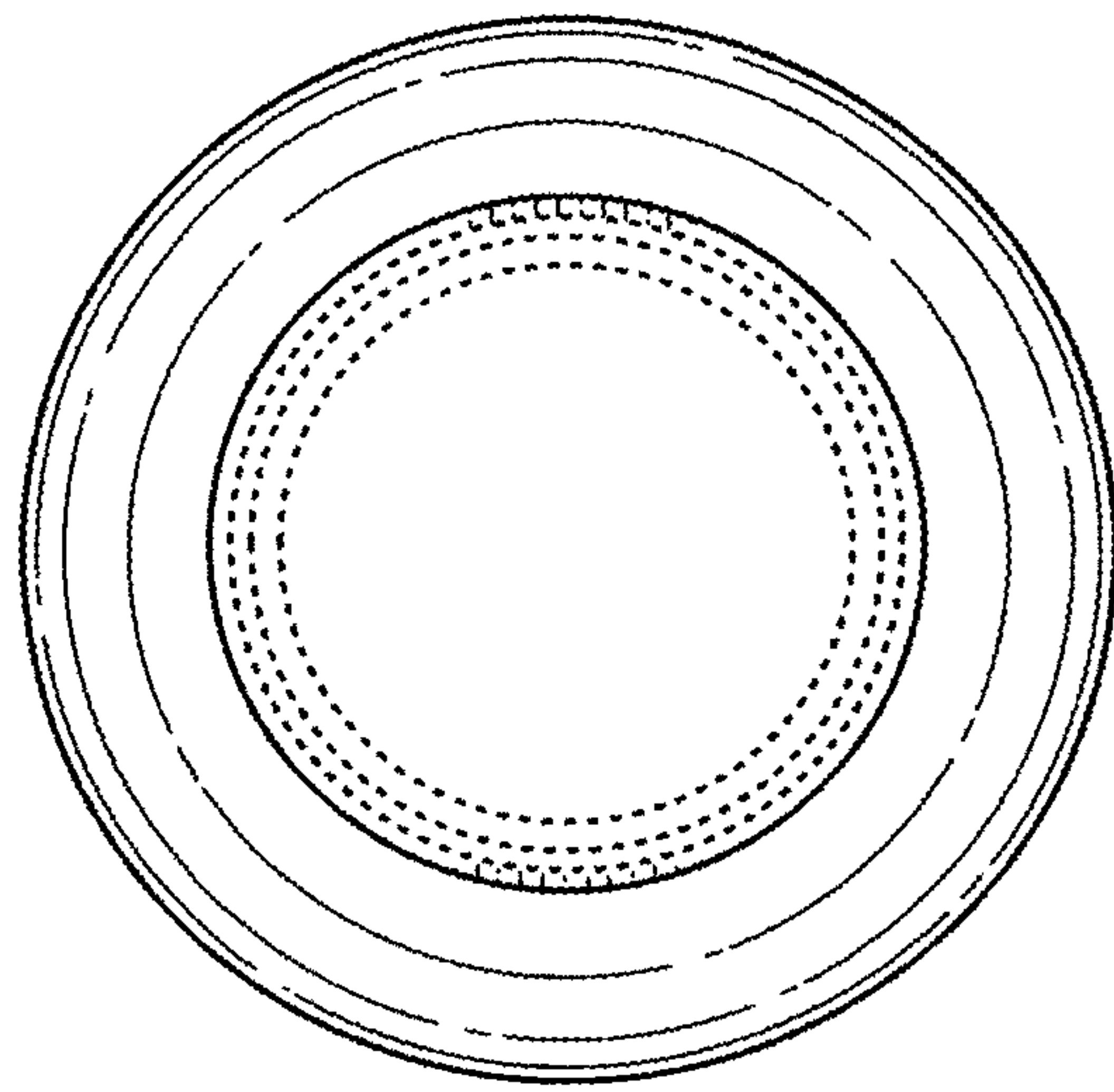


FIG. 6





**FIG. 7**



**FIG. 8**

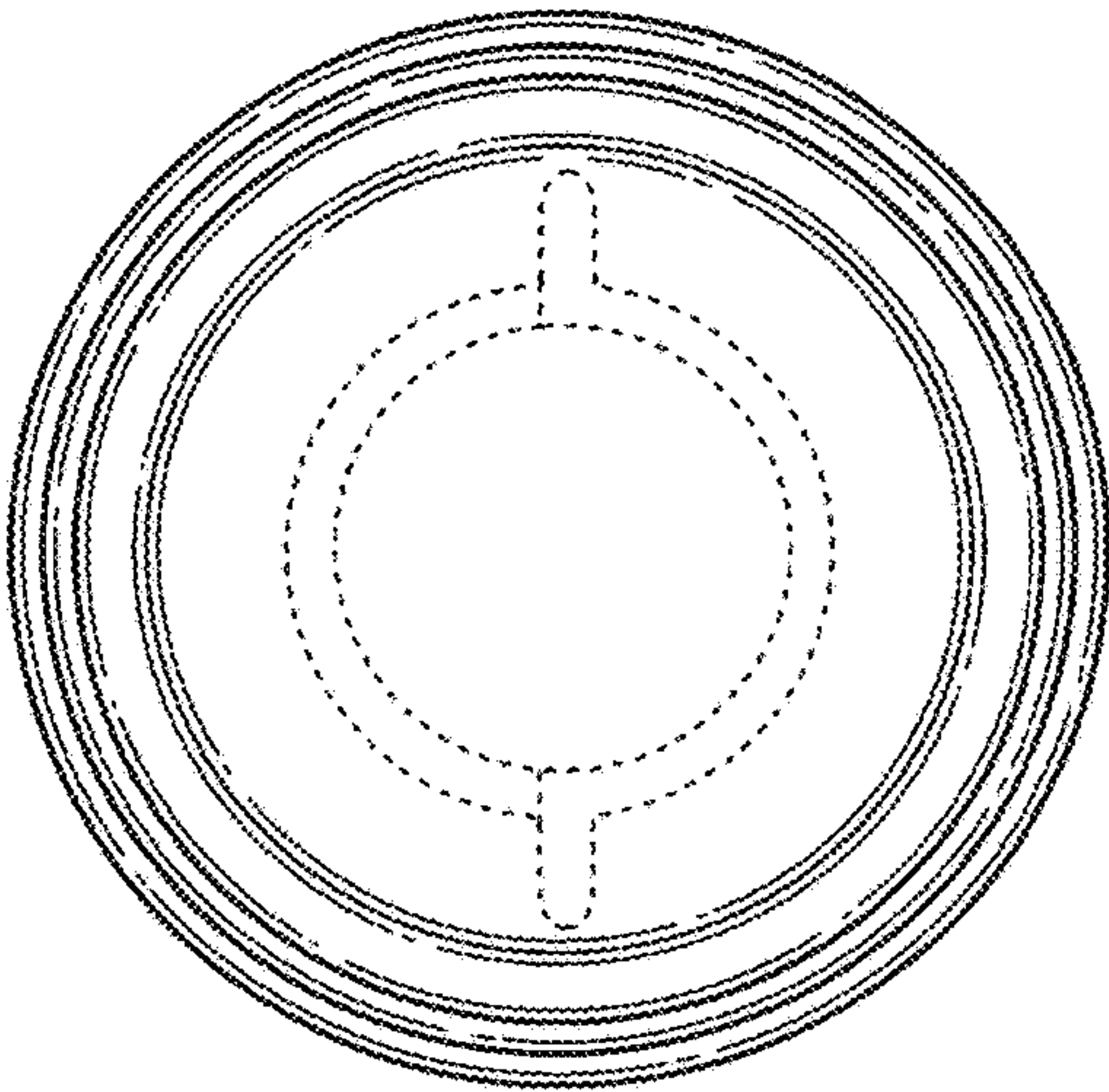


FIG. 9

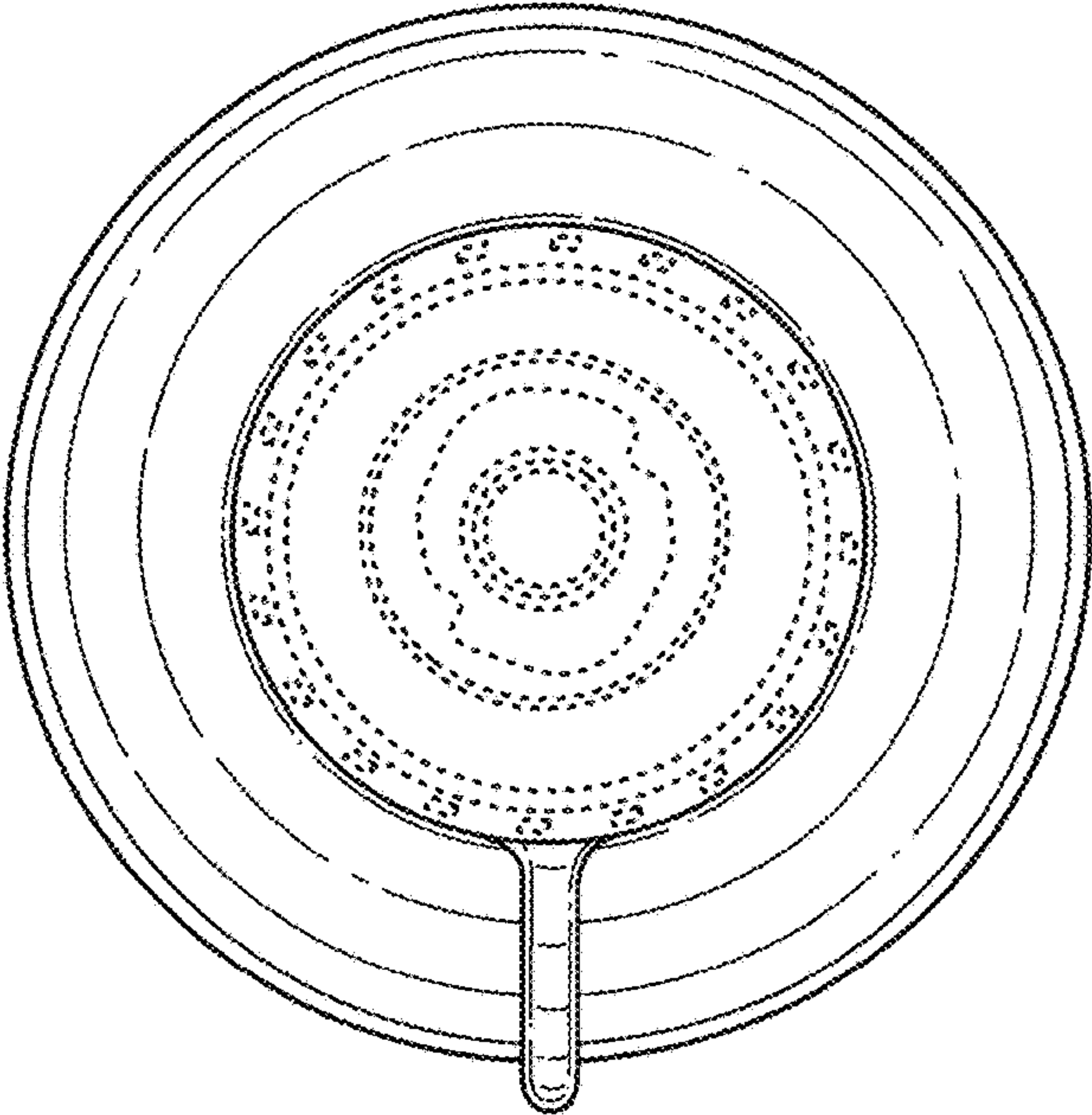


FIG. 10