



US00D895903S

(12) **United States Design Patent** (10) **Patent No.:** **US D895,903 S**
Sturiale (45) **Date of Patent:** **** Sep. 8, 2020**

(54) **COLLAPSIBLE PET CARRIER**

(71) Applicant: **Jennifer Sturiale**, Portland, OR (US)
(72) Inventor: **Jennifer Sturiale**, Portland, OR (US)
(**) Term: **15 Years**

(21) Appl. No.: **29/678,134**
(22) Filed: **Jan. 25, 2019**
(51) **LOC (12) Cl.** **30-02**
(52) **U.S. Cl.**
USPC **D30/109**
(58) **Field of Classification Search**
USPC D30/108, 109, 150; D3/213, 216, 246,
D3/273, 315; 119/452, 474, 482, 489,
119/491, 496-499, 500, 513, 650, 673,
119/678, 712; 224/153, 202, 258, 579;
D12/129
CPC A01K 1/0254; A45C 3/00; A45C 13/30;
B62B 5/0013
See application file for complete search history.

(56) **References Cited**

U.S. PATENT DOCUMENTS

3,850,144	A *	11/1974	Springer	A01K 1/0254
					119/497
D246,940	S *	1/1978	Sabol	D3/246
4,644,902	A *	2/1987	Doyle		
4,811,768	A *	3/1989	Williams	A45C 1/04
					150/102
4,815,640	A *	3/1989	Johnson	A45C 3/00
					224/258
5,176,102	A	5/1993	Tracy		
D367,359	S	2/1996	Smith		
D398,082	S	9/1998	Martz		
D406,945	S *	3/1999	Callihan	D3/201
D418,679	S *	1/2000	Chiapperini, Jr.	D3/245
D434,218	S *	11/2000	Haapala	D3/232
D442,748	S	5/2001	Farrugia		
6,286,461	B1	9/2001	Martz		
6,701,871	B1	3/2004	Johnson		

(Continued)

OTHER PUBLICATIONS

“Bostanten”, patent date Sep. 9, 2019 [online], [retrieved Jan. 31, 2020]. Retrieved from internet, https://www.amazon.com/dp/B075CM23DR/ref=twister_B06Y43MHNR?encoding=UTF8&psc=1#customerReviews.*

(Continued)

Primary Examiner — Sandra S Snapp
Assistant Examiner — Mehri Bajoul
(74) *Attorney, Agent, or Firm* — Alfred M. Walker

(57) **CLAIM**

I claim the ornamental design for a collapsible pet carrier, as shown and described.

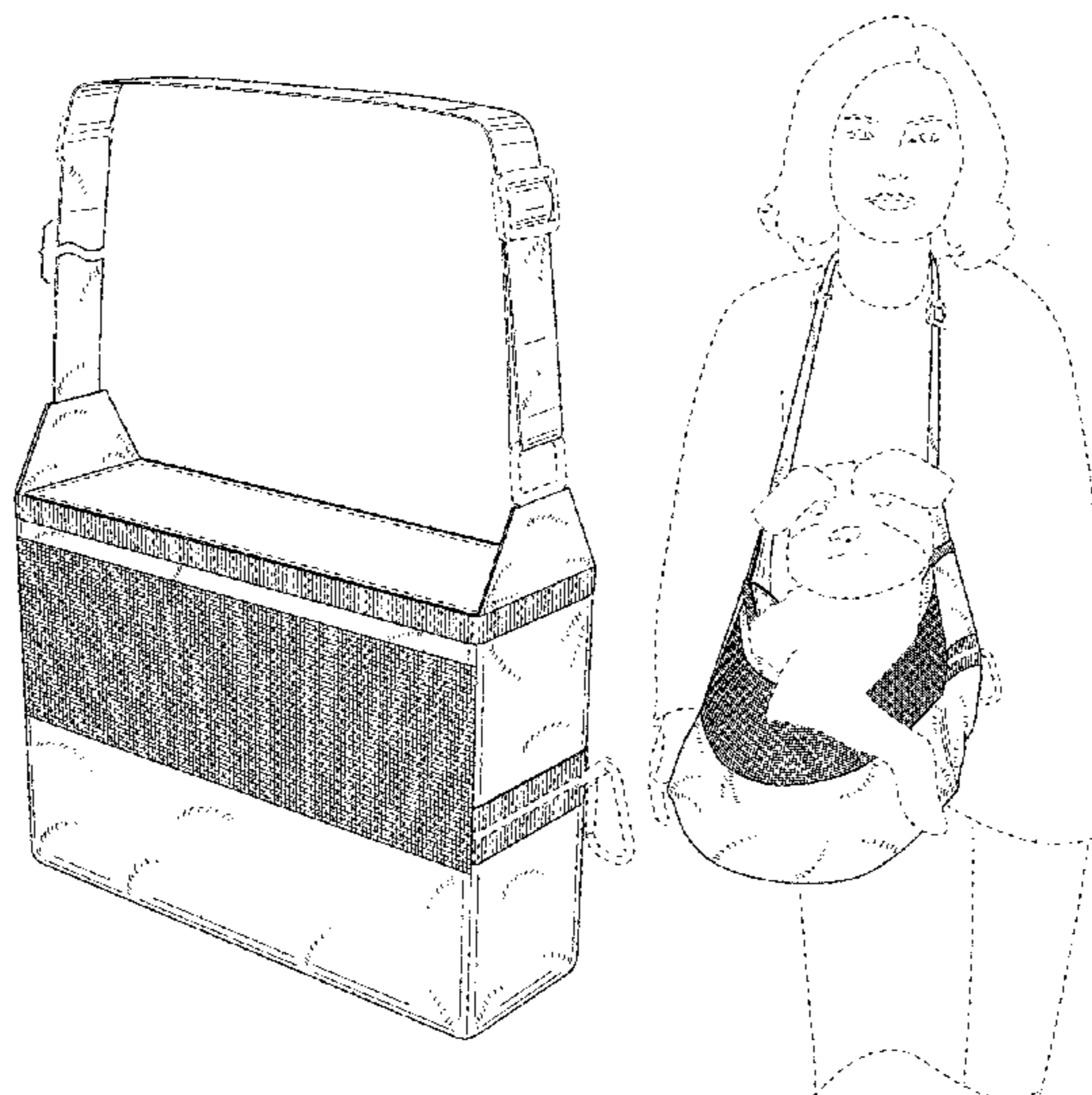
DESCRIPTION

FIG. 1 is a front perspective view in an opened condition of a collapsible pet carrier;
FIG. 2 is a front elevation view thereof;
FIG. 3 is a rear elevation view thereof;
FIG. 4 shows a right end view thereof;
FIG. 5 shows a left end view thereof;
FIG. 6 is a top plan view thereof;
FIG. 7 is bottom plan view thereof; and,
FIG. 8 is a perspective view of the collapsible pet carrier in use.

The rectangular crisscrossed shading on the front of the collapsible pet carrier indicates a ventilated fabric portion. The shoulder/carry strap of the collapsible pet carrier is shown with a symbolic break in its length. The appearance of any portion of the article between the break lines forms no part of the claimed design.

The broken lines shown in the drawings depict portions of the collapsible pet carrier that form no part of the claimed design. The pet dog and the person in FIG. 8 depict environment and form no part of the claimed design.

1 Claim, 8 Drawing Sheets



(56)

References Cited

U.S. PATENT DOCUMENTS

D530,510 S * 10/2006 Suppangig D3/246
 D549,400 S 8/2007 Gold et al.
 D575,461 S 8/2008 Cannon et al.
 8,231,037 B2 * 7/2012 Sacks A45C 13/30
 224/153
 D674,604 S * 1/2013 Iacchetti D3/246
 D677,011 S 2/2013 Cirincione et al.
 D685,952 S 7/2013 Dixon
 8,607,740 B2 12/2013 Webb
 D707,964 S * 7/2014 Clark D3/246
 D717,502 S 11/2014 Dixon
 D759,319 S 6/2016 Chang
 D762,063 S * 7/2016 Schulman D3/246
 D778,595 S 2/2017 Zurowski
 9,781,901 B2 10/2017 Rivera
 D804,108 S 11/2017 Torres
 D804,738 S 12/2017 Nourollah
 D808,084 S 1/2018 Lu
 D808,596 S 1/2018 Veness
 D824,165 S * 7/2018 Dumas D3/246
 D828,689 S * 9/2018 Kandel D3/246
 D830,057 S * 10/2018 Romano D3/232
 D831,959 S * 10/2018 Hollinger D3/246
 D859,828 S * 9/2019 Venturini Fendi D3/245
 2018/0229914 A1 * 8/2018 Bahrami A45C 13/103
 2019/0289813 A1 * 9/2019 Hayashi A01K 1/0254

OTHER PUBLICATIONS

“Covelin womens shoulder crossed body”, patent date Aug. 21, 2019 [online], [retrieved Jan. 31, 2020]. Retrieved from internet, <https://tinyurl.com/v4zjwu8>.*

* cited by examiner

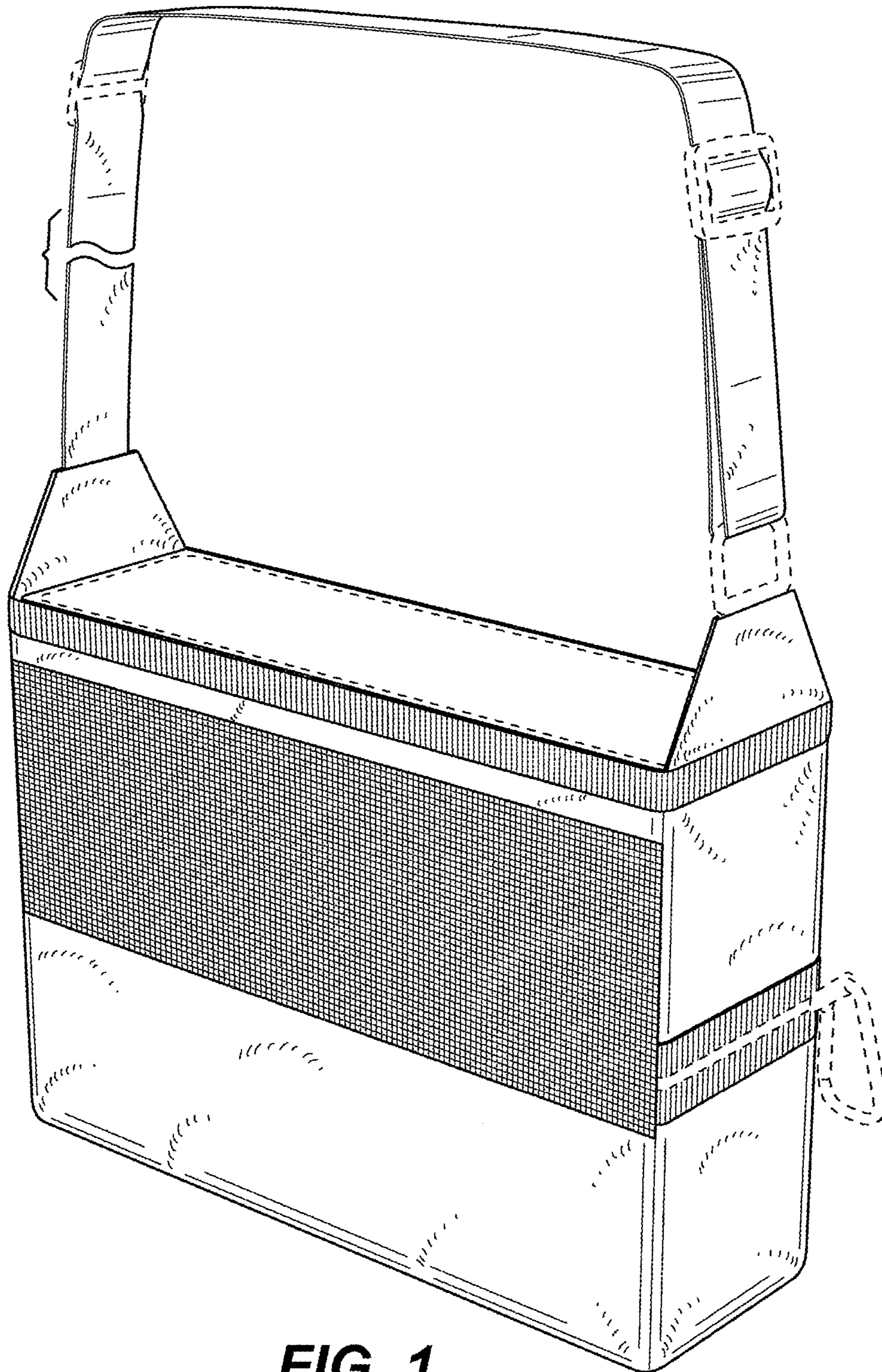


FIG. 1

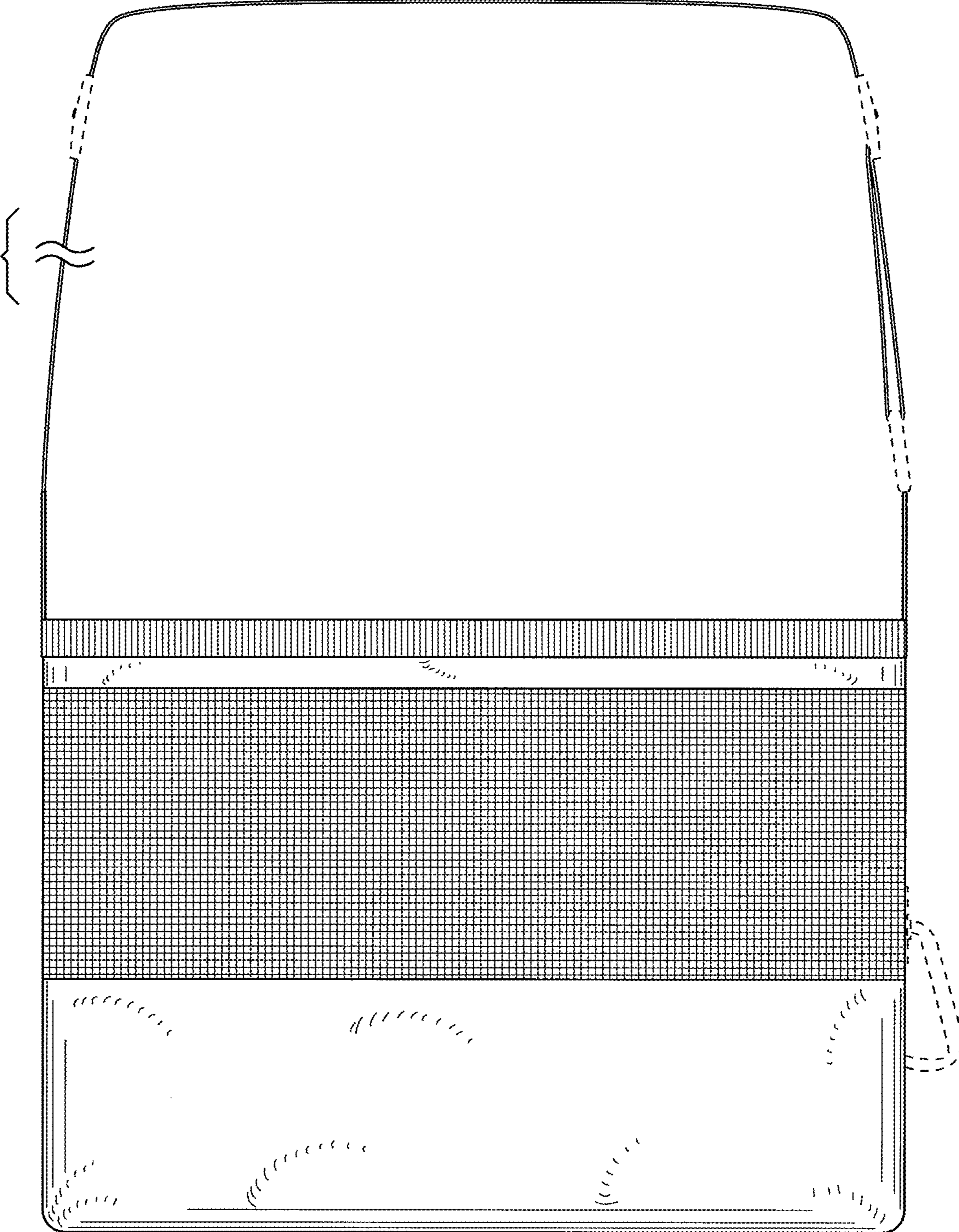


FIG. 2

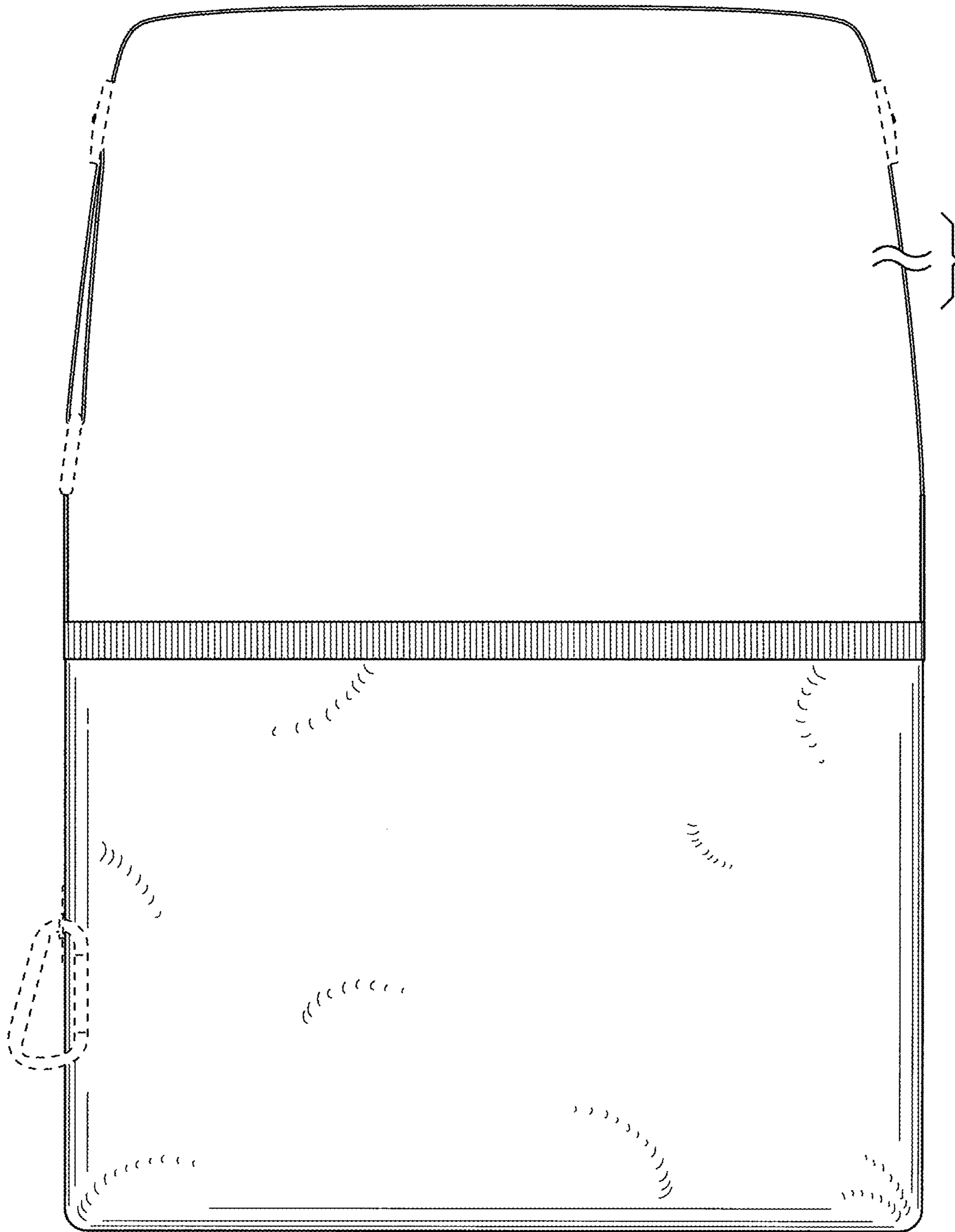


FIG. 3

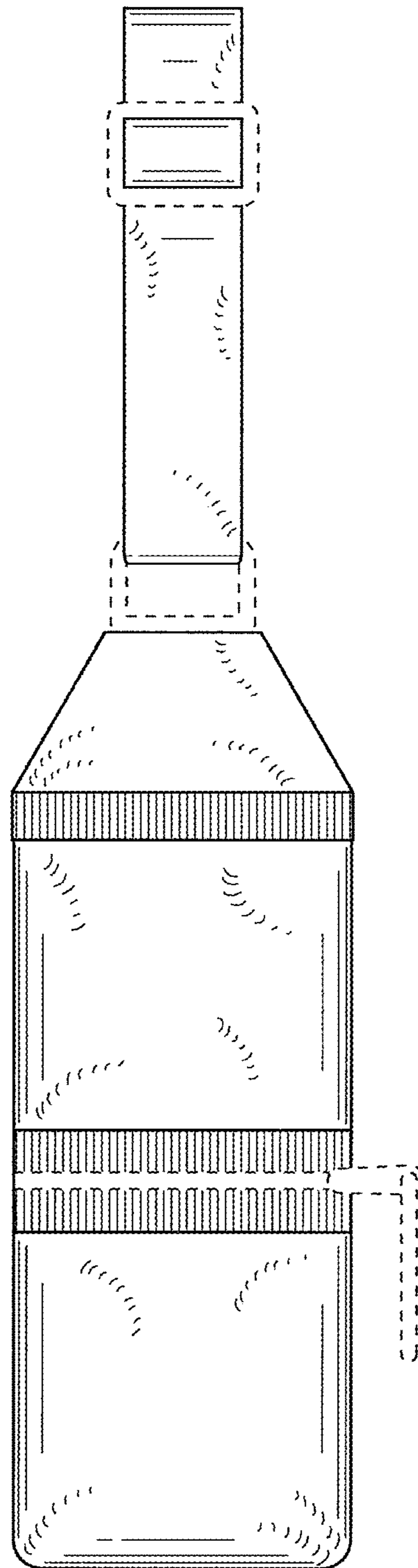


FIG. 4

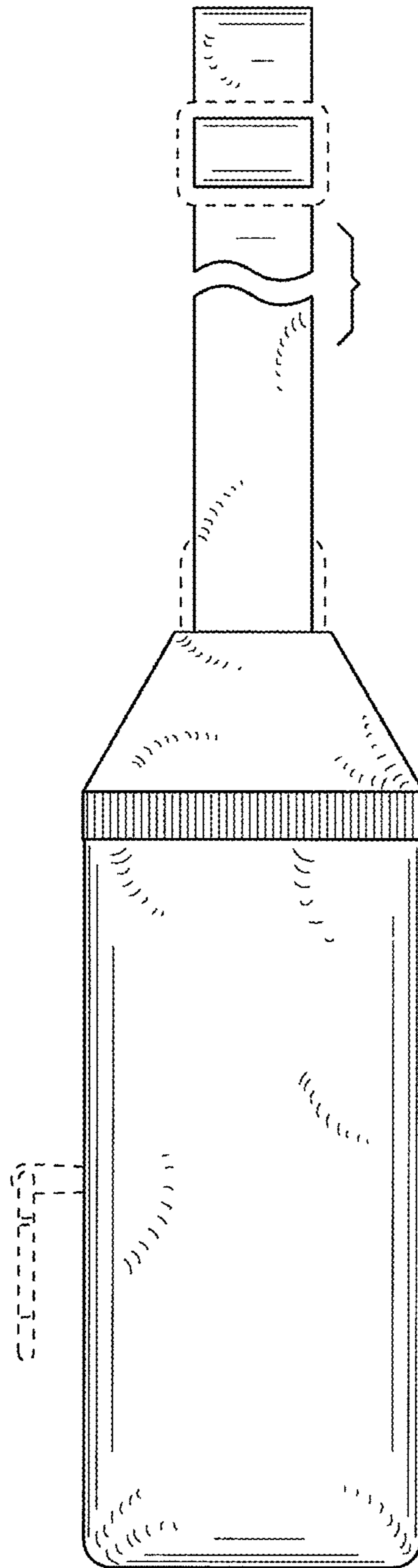


FIG. 5

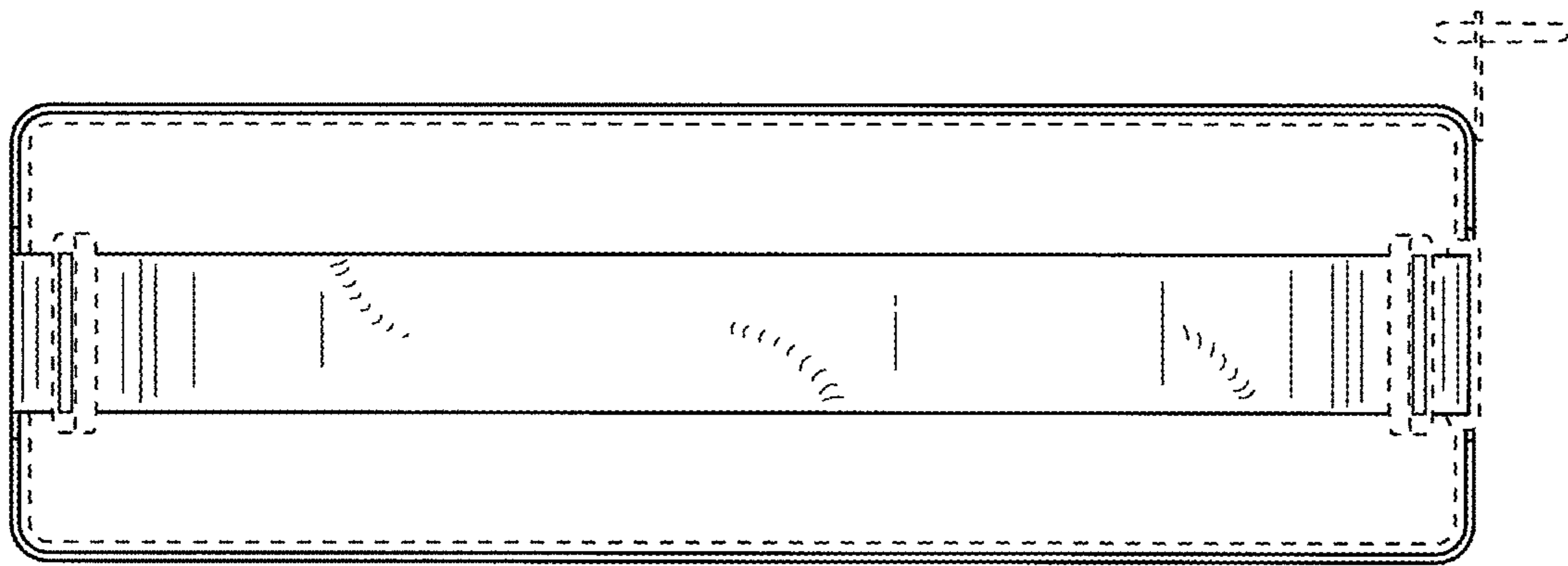


FIG. 6

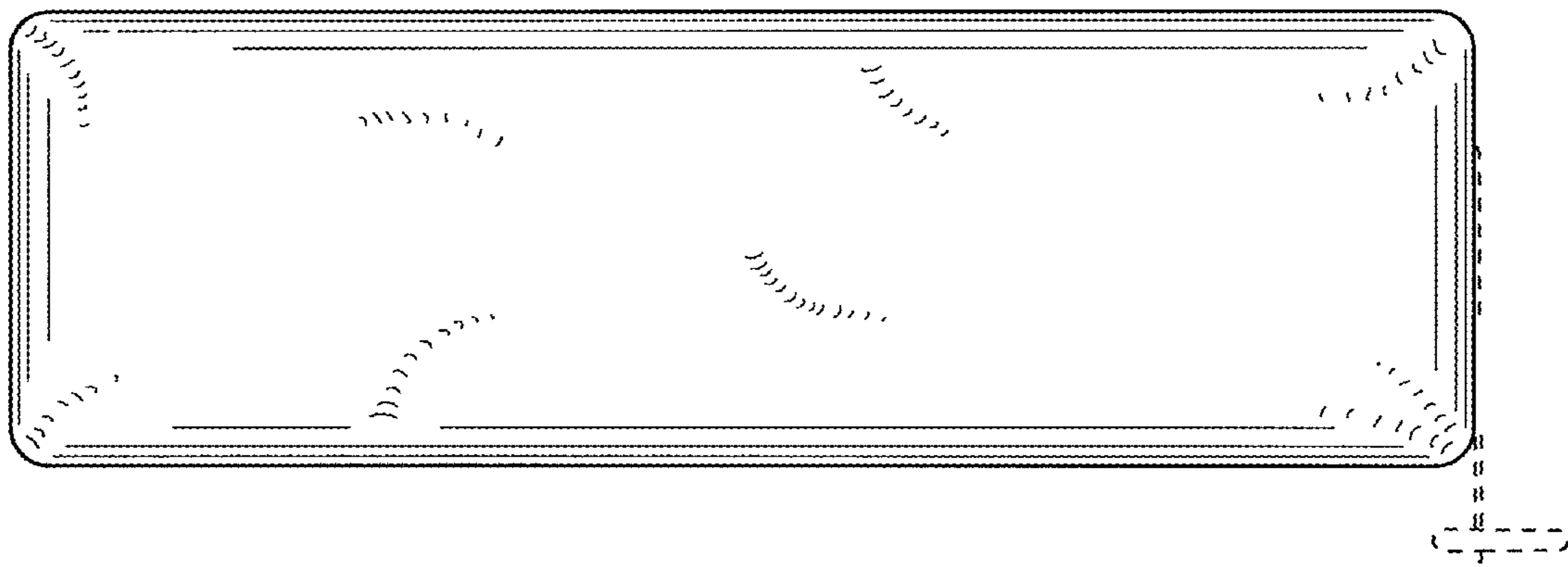


FIG. 7

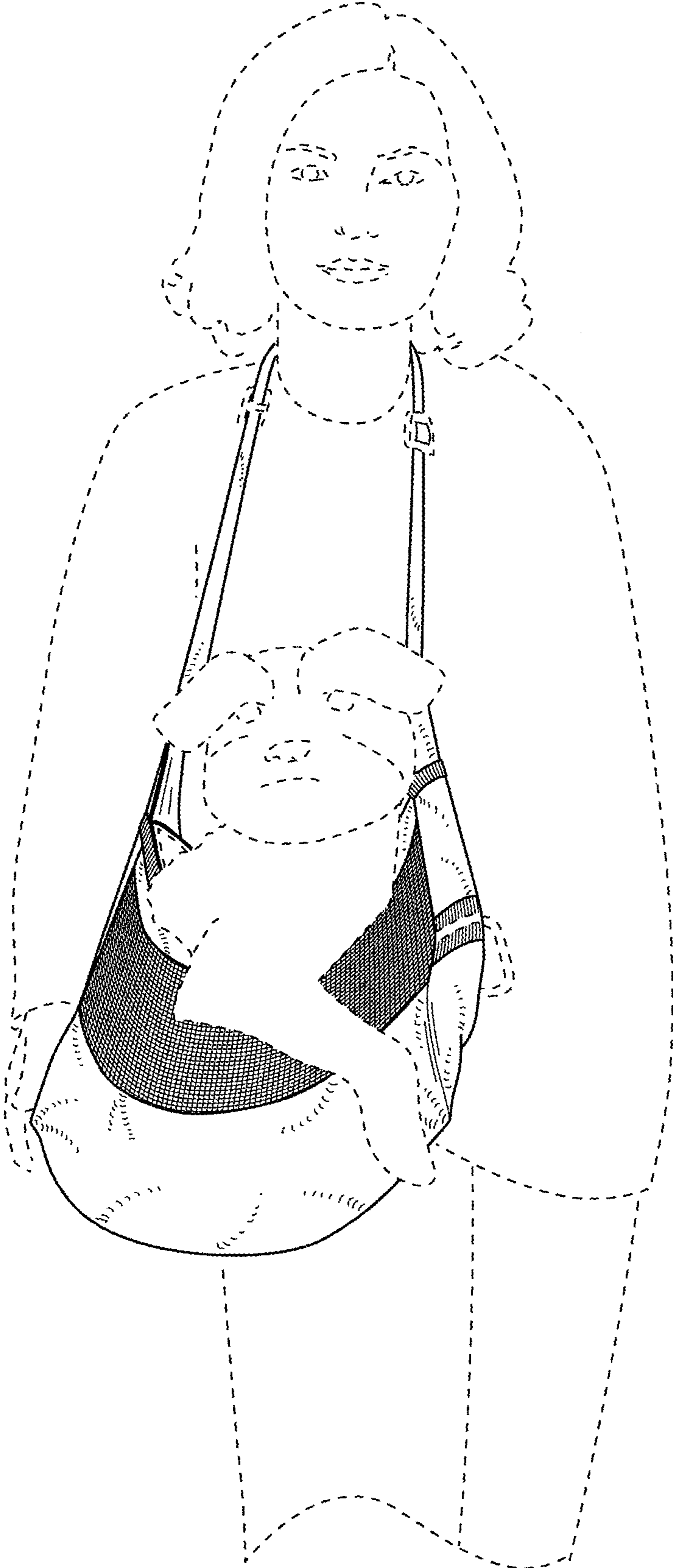


FIG. 8