



US00D895899S

(12) **United States Design Patent** (10) **Patent No.:** **US D895,899 S**
Fu (45) **Date of Patent:** **** Sep. 8, 2020**

(54) **NAIL POWDER TOOL**

(71) Applicant: **Jianlong Fu**, Guangzhou (CN)

(72) Inventor: **Jianlong Fu**, Guangzhou (CN)

(**) Term: **15 Years**

(21) Appl. No.: **29/731,540**

(22) Filed: **Apr. 16, 2020**

(51) **LOC (12) Cl.** **28-03**

(52) **U.S. Cl.**
USPC **D28/57**

(58) **Field of Classification Search**

USPC D28/56, 57, 58, 61, 62
CPC A61K 8/022; A61K 2800/884; A45D
33/003; A45D 33/20; A45D 29/00; A45D
29/22; A45D 29/20; A45D 33/00
See application file for complete search history.

(56) **References Cited**

U.S. PATENT DOCUMENTS

D400,304 S *	10/1998	Stankovic	D28/57
D481,170 S *	10/2003	Perez	D28/59
D509,082 S *	9/2005	Petrucelli	D6/336
D608,502 S *	1/2010	Andersson	D28/59
D706,985 S *	6/2014	Johnson	D28/59
9,179,753 B2 *	11/2015	Huynh	A45D 29/18
D853,649 S *	7/2019	Tan	D28/61
D871,674 S *	12/2019	Tan	D28/57
2016/0353856 A1 *	12/2016	Horvath	A45D 29/22
2018/0192759 A1 *	7/2018	Tan	A45D 29/22

OTHER PUBLICATIONS

Dip Powder Recycling Tray System, 1 page, www.amazon.com, reviewed as early as Apr. 13, 2020 https://www.amazon.com/Powder-Recycling-System-Container-Manicure/dp/B085RYZKXB/ref=sr_1_1_sspa? (Year: 2020).*

* cited by examiner

Primary Examiner — Jennifer Rivard

(74) *Attorney, Agent, or Firm* — ZANIP

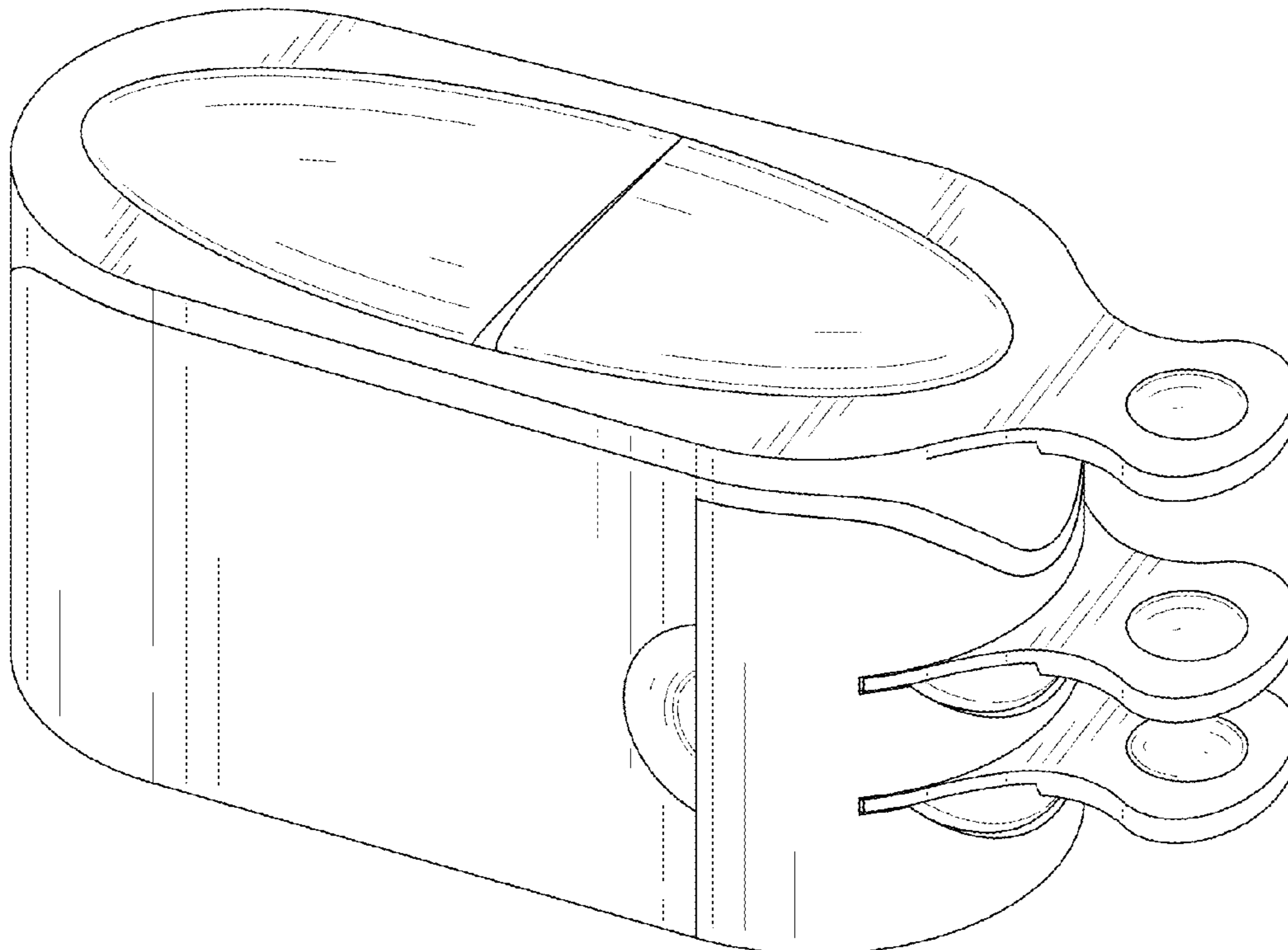
(57) **CLAIM**

The ornamental design for a nail powder tool, as shown and described.

DESCRIPTION

FIG. 1 is a front and top perspective view of a nail powder tool, showing my new design;
FIG. 2 is a rear and bottom perspective view thereof;
FIG. 3 is a front elevational view thereof;
FIG. 4 is a rear elevational view thereof;
FIG. 5 is a left side elevational view thereof;
FIG. 6 is a right side elevational view thereof;
FIG. 7 is a top plan view thereof;
FIG. 8 is a bottom plan view thereof; and,
FIG. 9 is an enlarged view of a portion indicated in FIG. 2. The broken lines in the figures illustrate portions of the nail powder tool that faint no part of the claimed design. The dash dot dash lines in FIGS. 2 and 9 are for the purpose of depicting the cut line of the enlarged view and form no part of the claim.

1 Claim, 9 Drawing Sheets



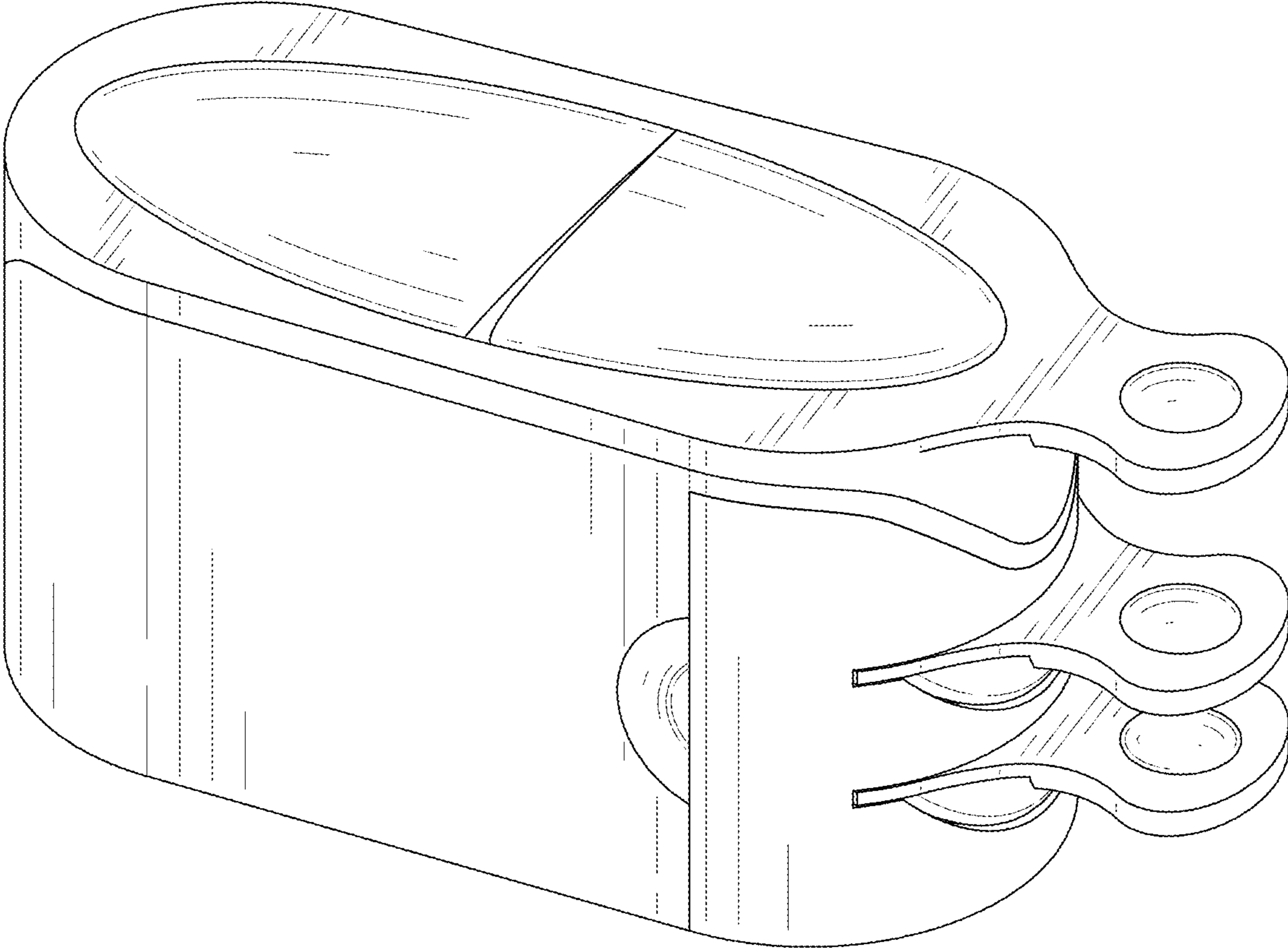


FIG. 1

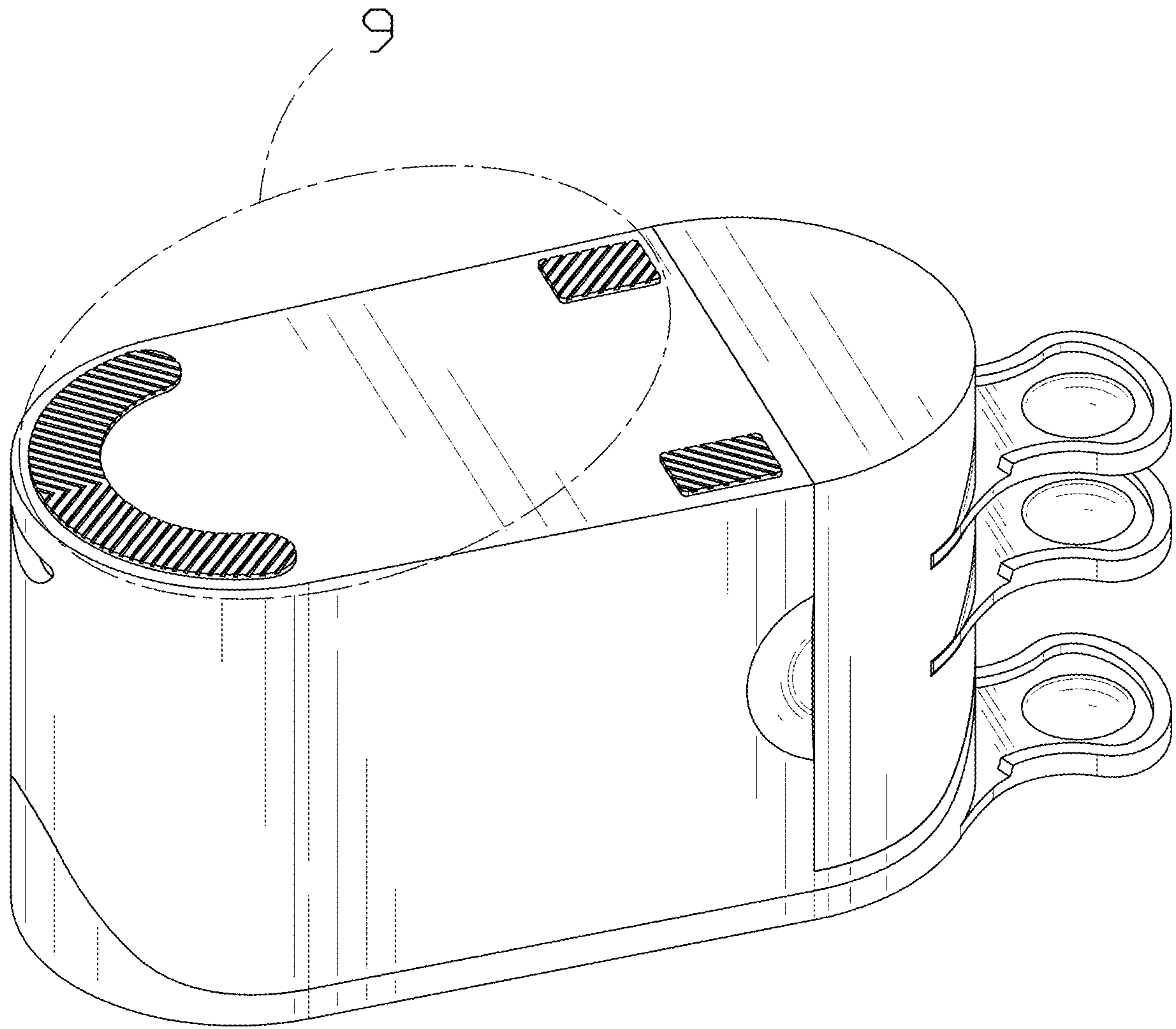


FIG. 2

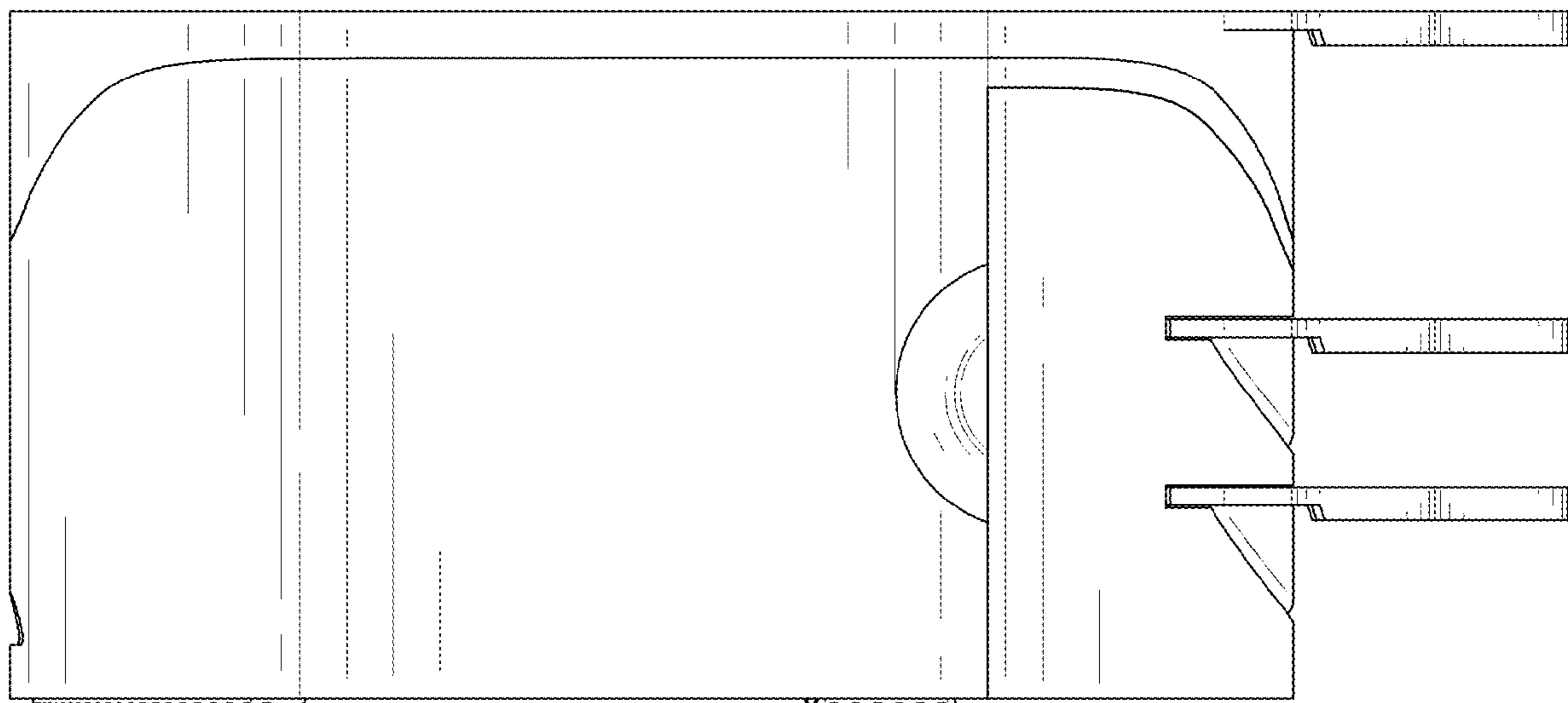


FIG. 3

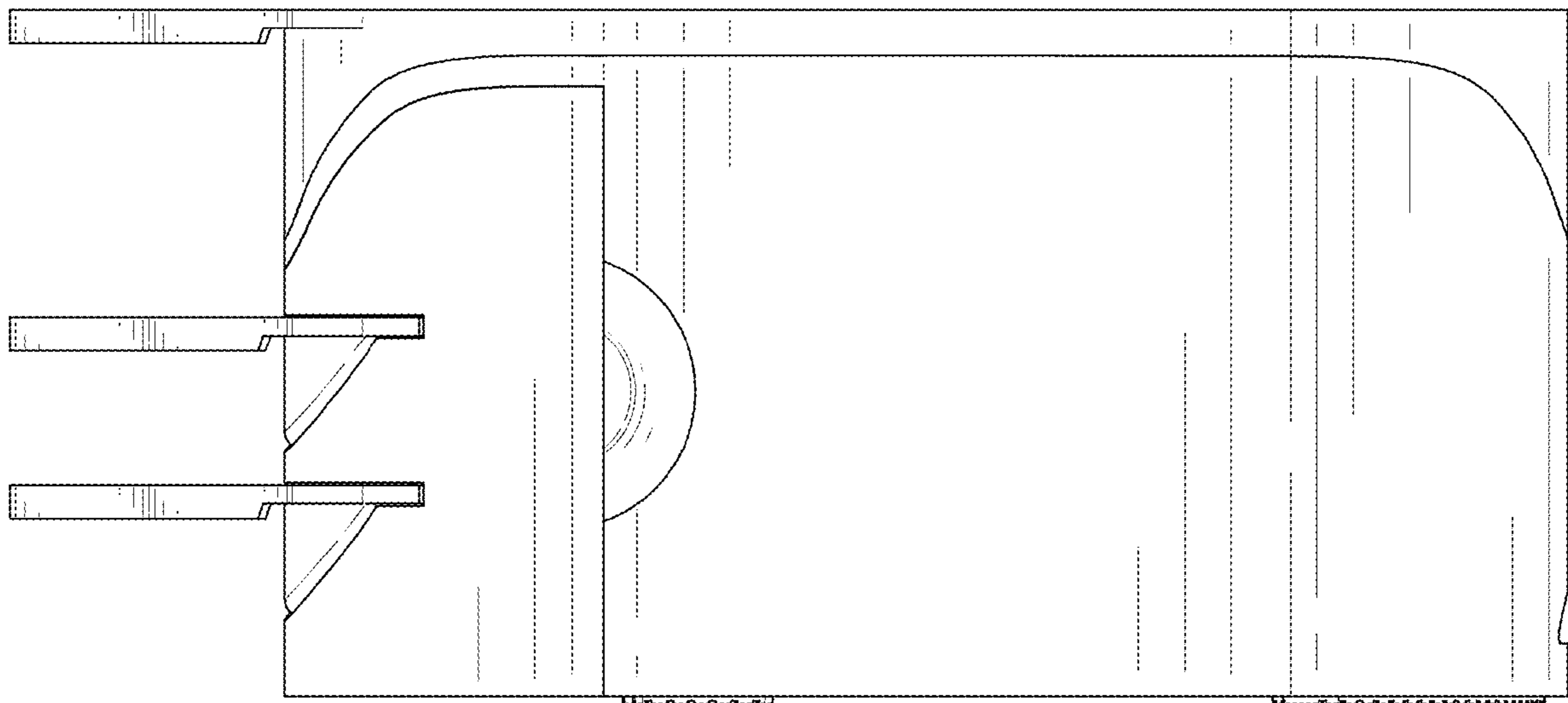


FIG. 4

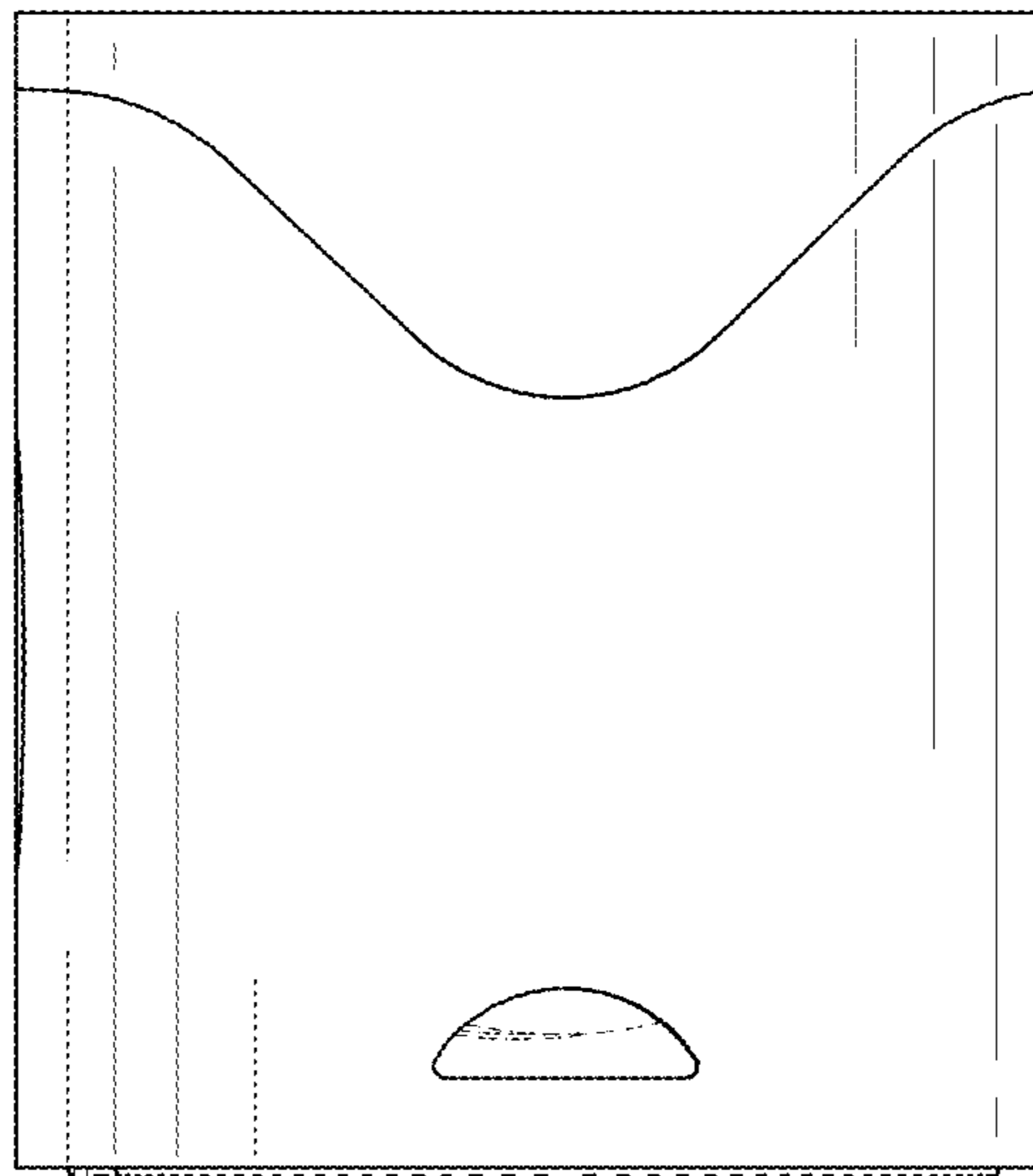


FIG. 5

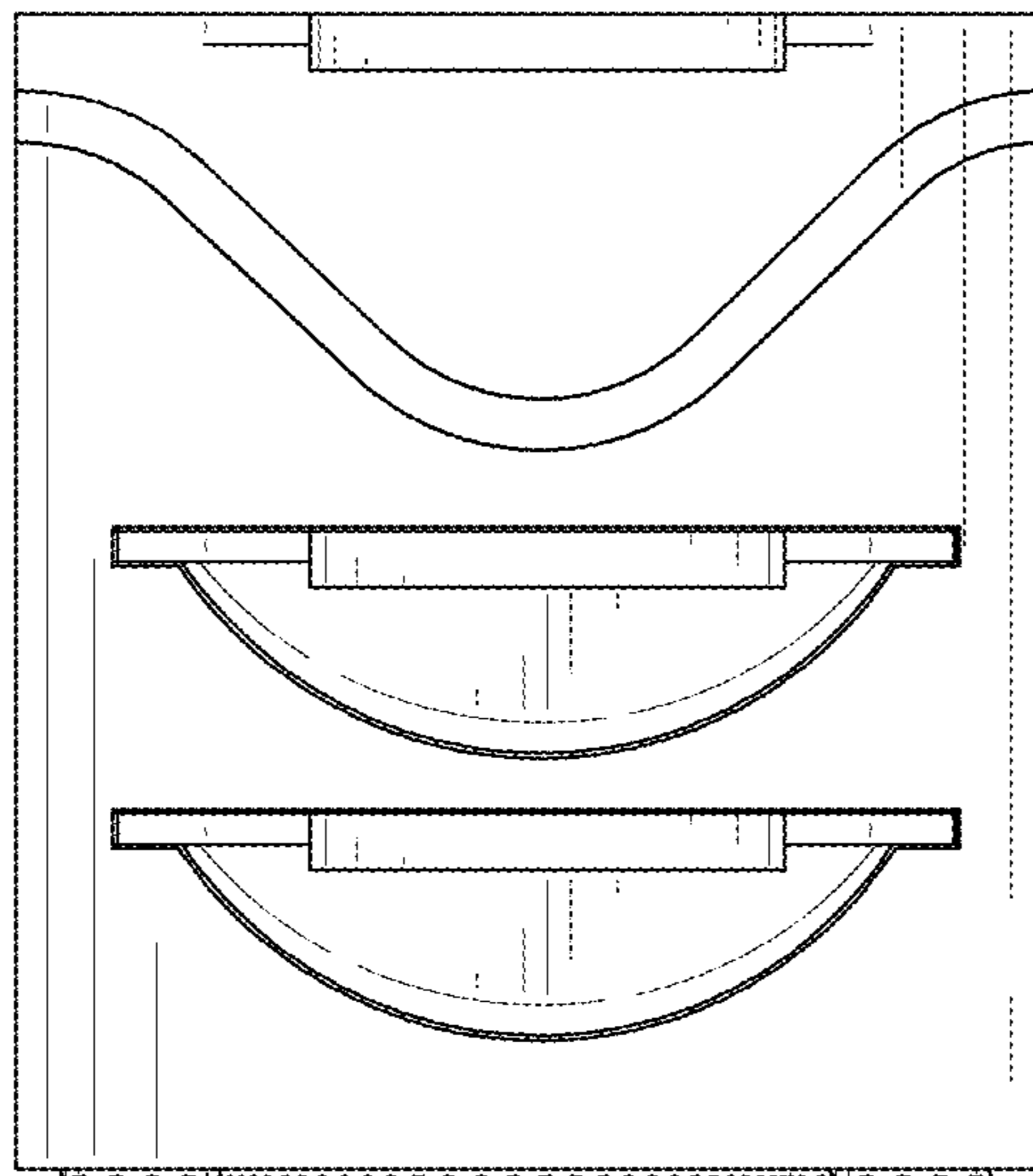


FIG. 6

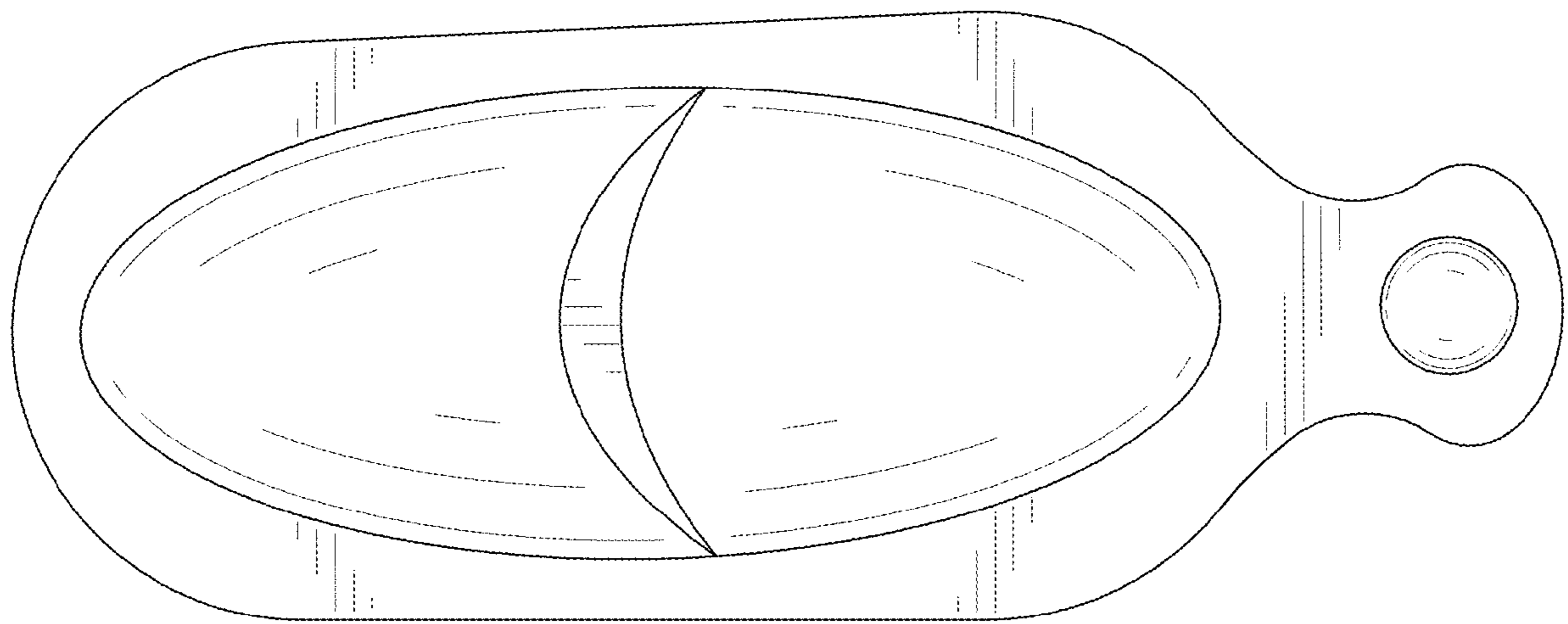


FIG. 7

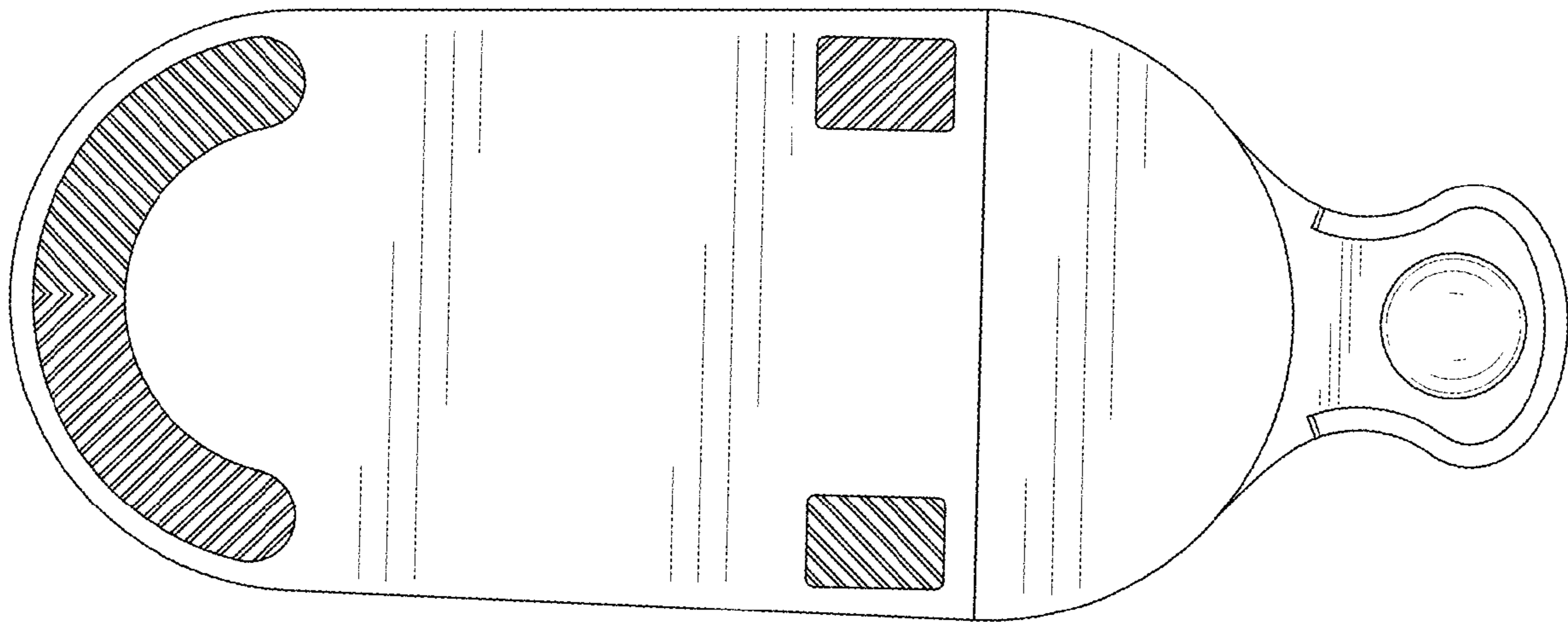


FIG. 8

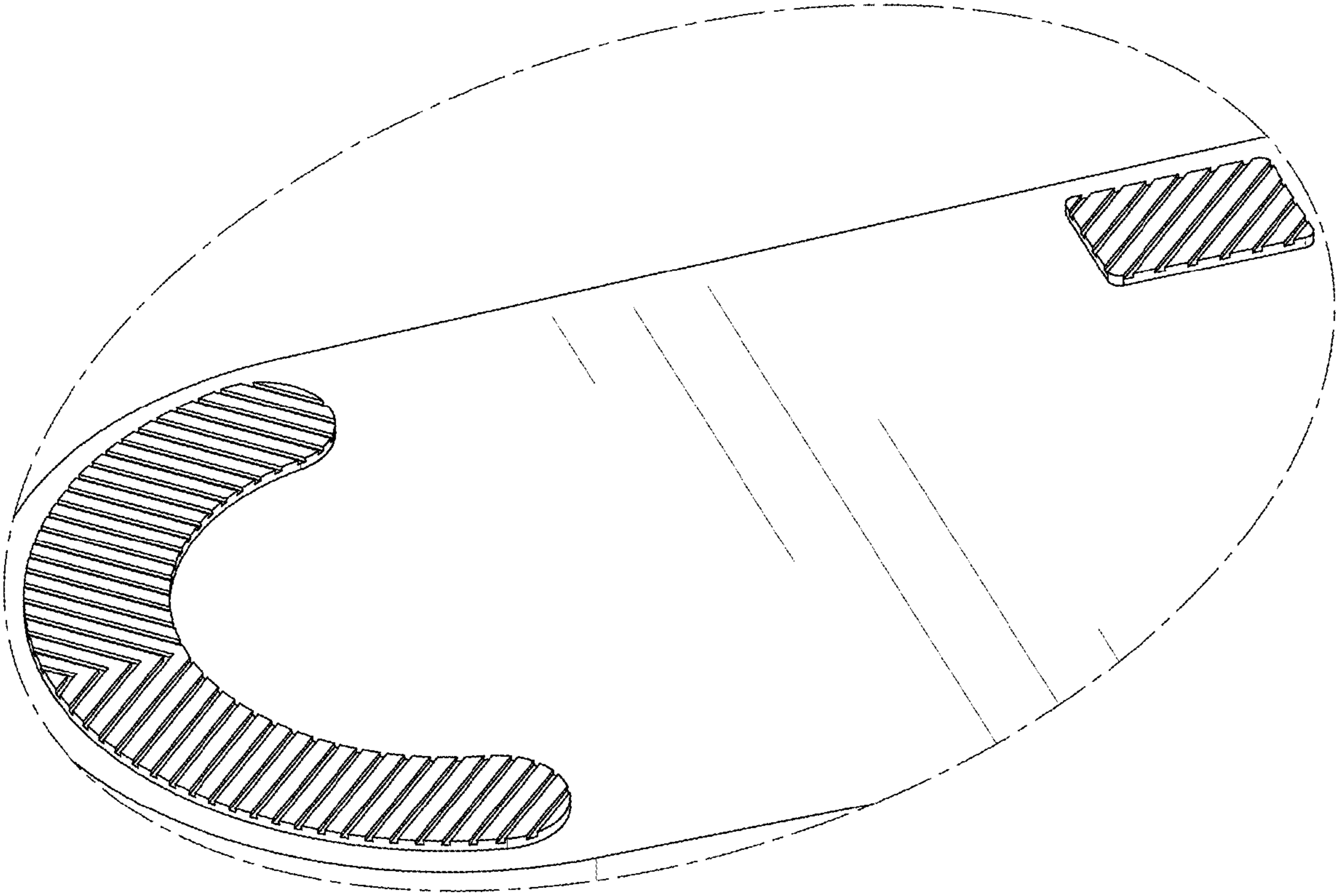


FIG. 9