

US00D895895S

(12) **United States Design Patent** (10) **Patent No.:** **US D895,895 S**  
**Atkinson et al.** (45) **Date of Patent:** **\*\* Sep. 8, 2020**

(54) **PART OF A HAIR DRYER** 7,015,420 B2 \* 3/2006 Lok ..... A45D 2/367  
219/222  
(71) Applicant: **Dyson Technology Limited**, Wiltshire D518,919 S \* 4/2006 Parodi ..... D28/13  
(GB) 8,307,948 B2 \* 11/2012 Parodi ..... A45D 20/12  
181/258  
(72) Inventors: **Antoine Francois Atkinson**, 8,959,788 B2 \* 2/2015 Hada ..... A45D 20/10  
Oxfordshire (GB); **Sam Kyle** 34/283  
**Burrowes**, Glasgow (GB); **Simon** 8,973,284 B2 \* 3/2015 Shami ..... A45D 20/12  
**Brian McNamee**, Bristol (GB); **Wei Jie** 34/275  
**Lam**, Singapore (SG) D849,320 S \* 5/2019 Park ..... D28/13  
10,299,559 B2 \* 5/2019 Li ..... H02K 1/14  
10,441,046 B2 \* 10/2019 Davis ..... A45D 2/10  
(73) Assignee: **Dyson Technology Limited**,  
Malmesbury, Wiltshire (GB)  
\* cited by examiner

(\*\*) Term: **15 Years** *Primary Examiner* — Zenia I Bennett  
(74) *Attorney, Agent, or Firm* — Morrison & Foerster  
LLP

(21) Appl. No.: **29/686,299**  
(22) Filed: **Apr. 3, 2019**

(30) **Foreign Application Priority Data**

Oct. 4, 2018 (EM) ..... 005735503-0001

(51) **LOC (12) Cl.** ..... **28-03**

(52) **U.S. Cl.**  
USPC ..... **D28/18**

(58) **Field of Classification Search**

USPC ..... D28/12-19  
CPC ..... A45D 20/00; A45D 20/10; A45D 20/12;  
A45D 20/18

See application file for complete search history.

(56) **References Cited**

**U.S. PATENT DOCUMENTS**

5,392,528 A \* 2/1995 McDougall ..... A45D 20/124  
239/101  
5,490,336 A \* 2/1996 Smick ..... A45D 20/12  
34/82

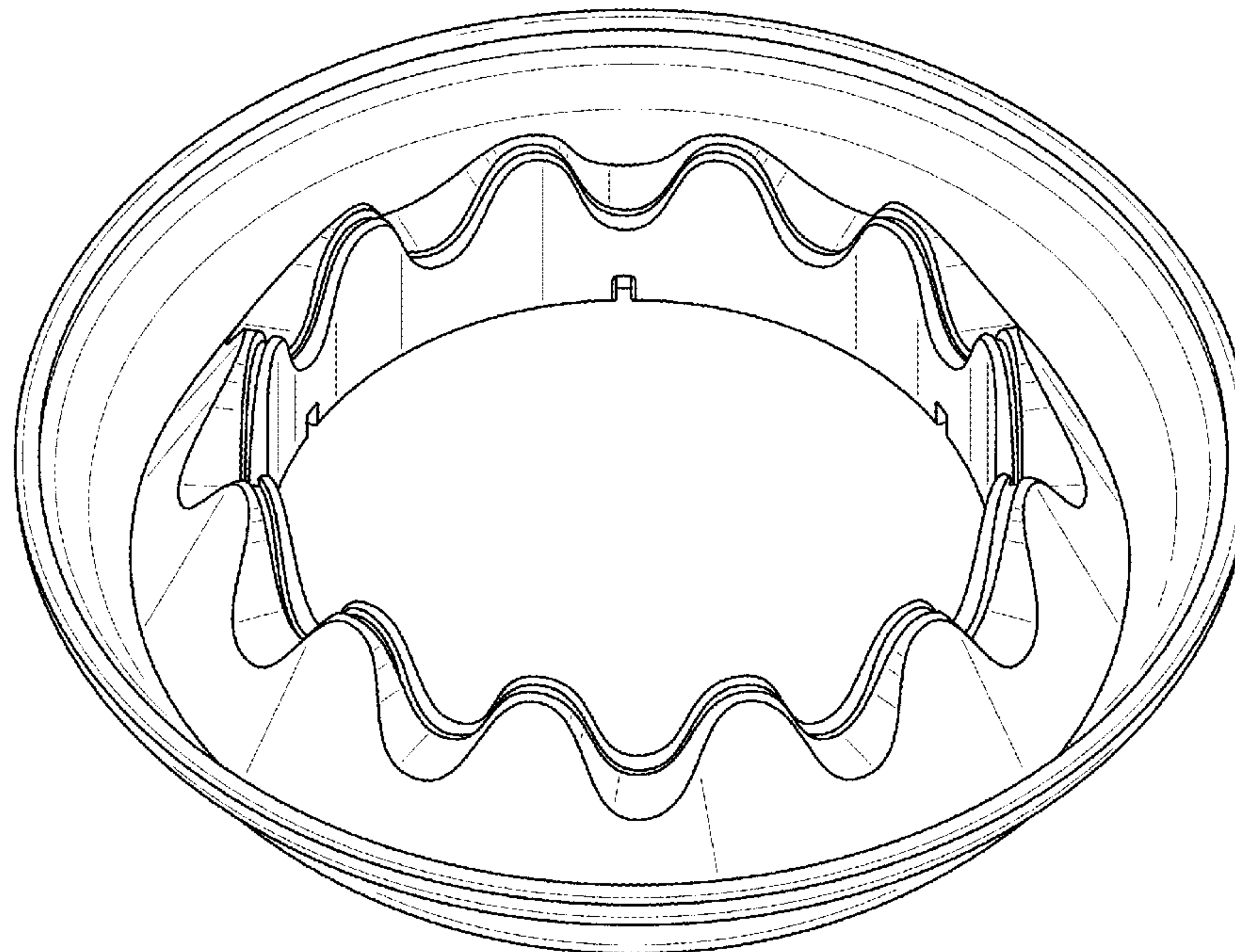
(57) **CLAIM**

We claim the ornamental design for a part of a hair dryer, as shown and described.

**DESCRIPTION**

FIG. 1 is a front perspective view of a part of a hair dryer showing our new design;  
FIG. 2 is a rear perspective view thereof;  
FIG. 3 is a front view thereof;  
FIG. 4 is a rear view thereof;  
FIG. 5 is a side view thereof;  
FIG. 6 is a top view thereof; and,  
FIG. 7 is a bottom view thereof.

**1 Claim, 5 Drawing Sheets**



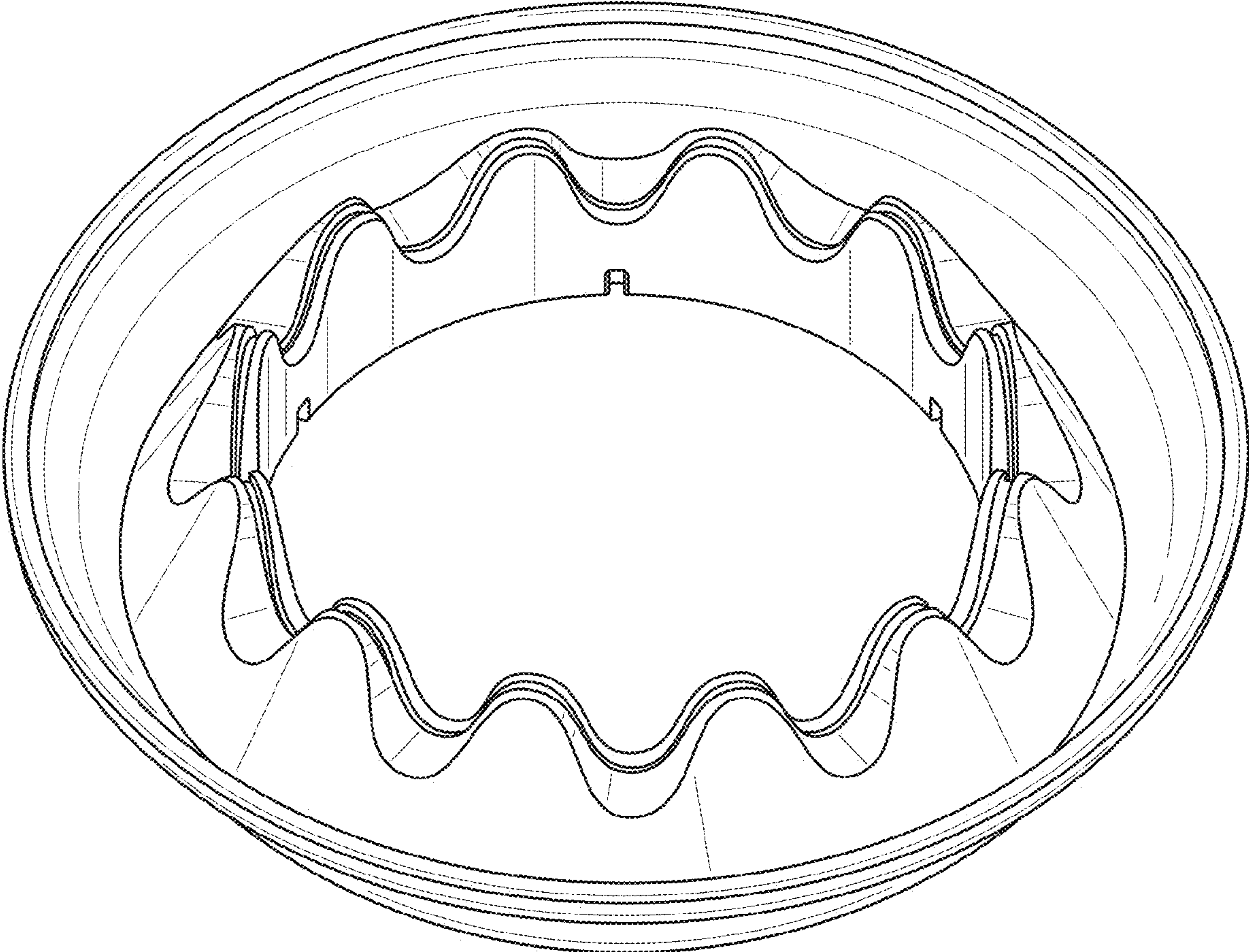


FIG. 1

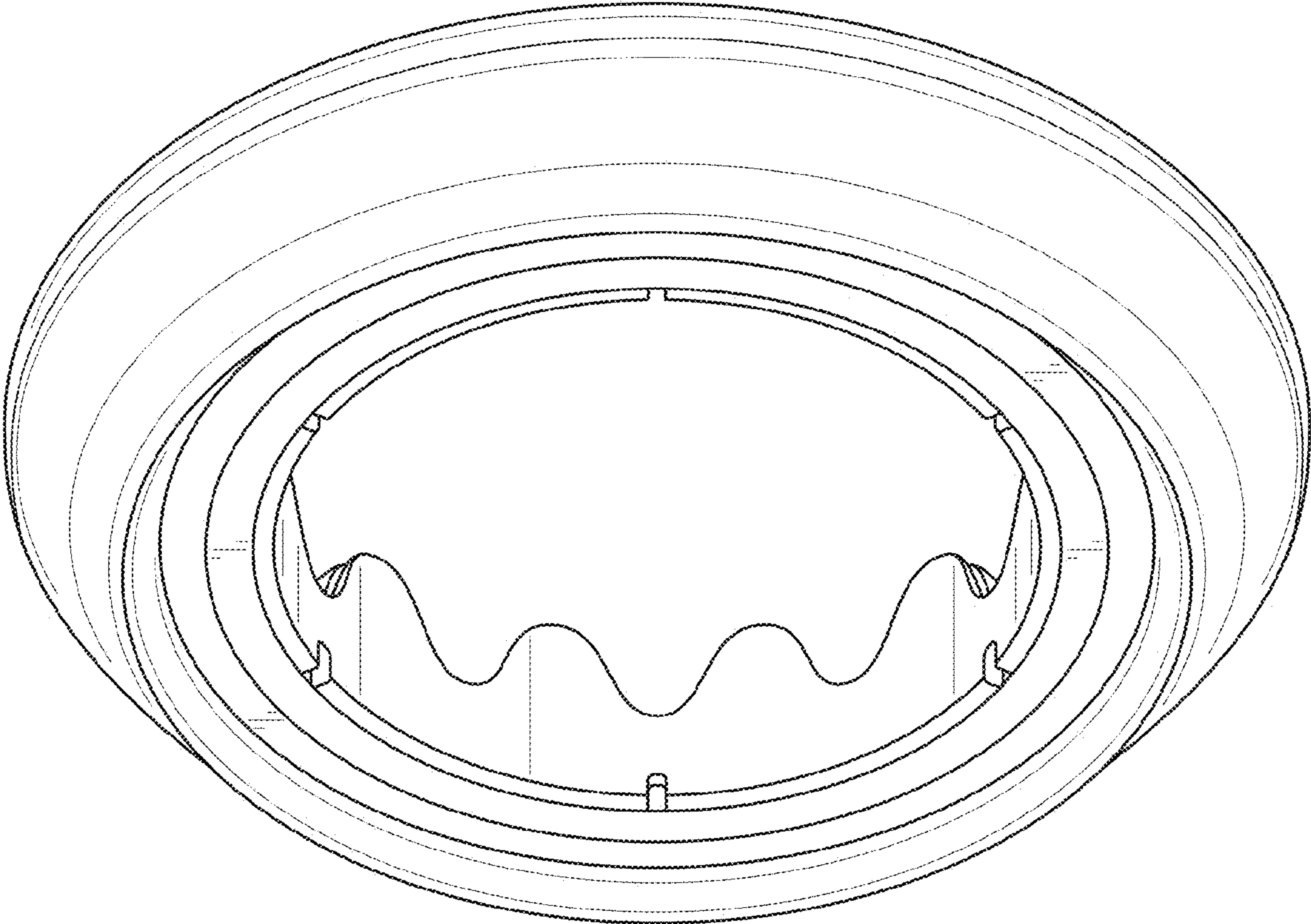


FIG. 2



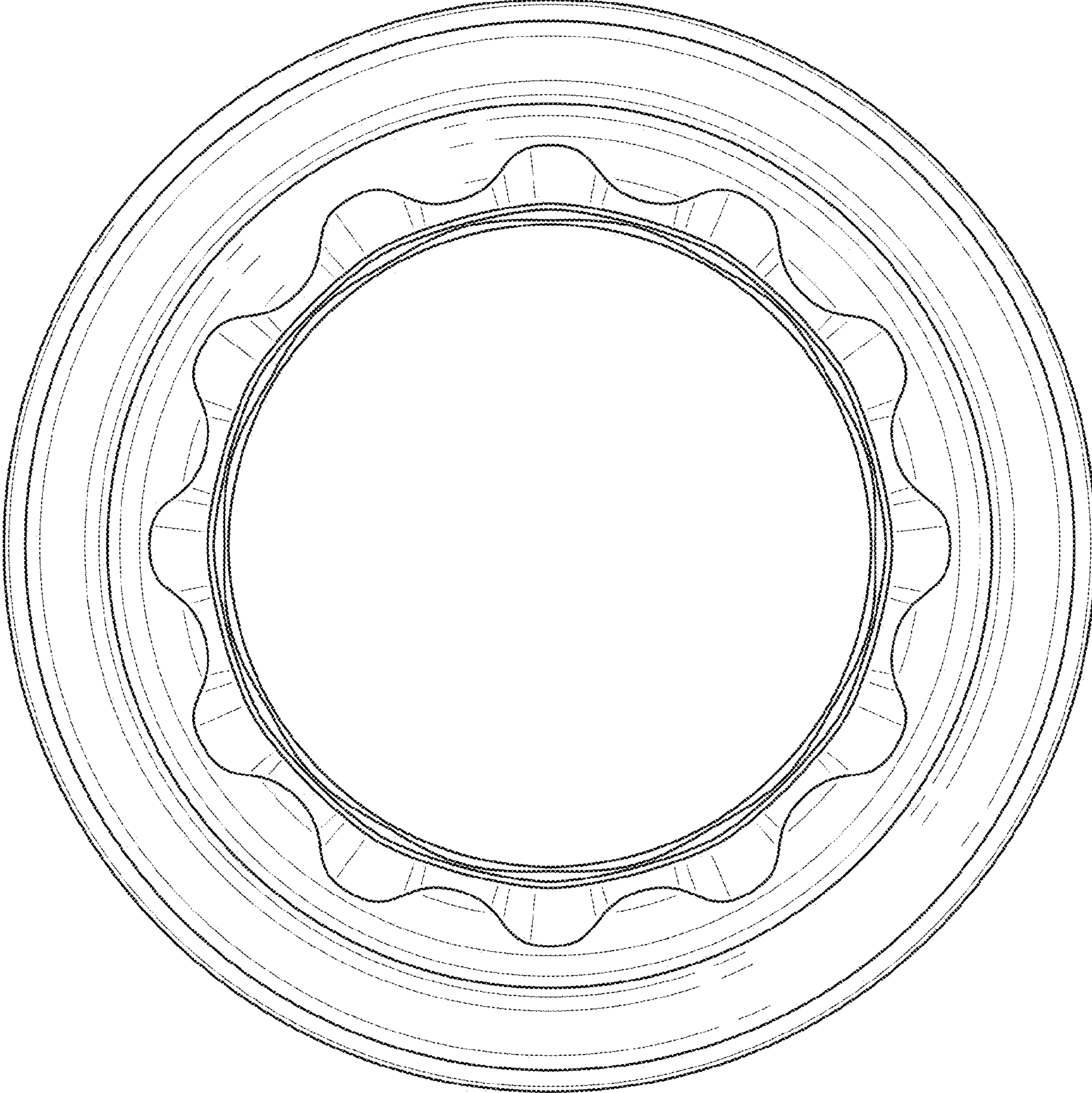


FIG. 3

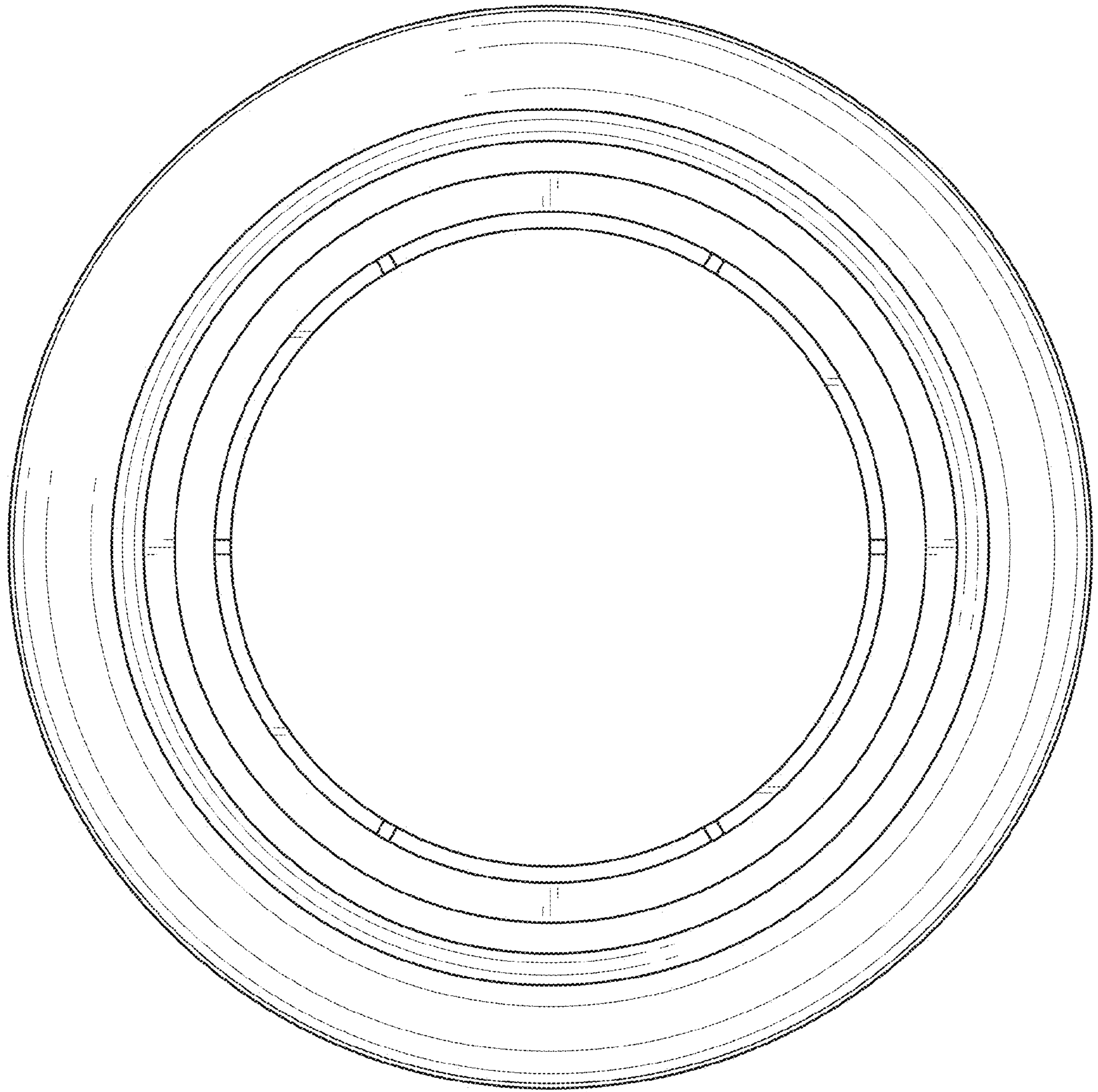


FIG. 4

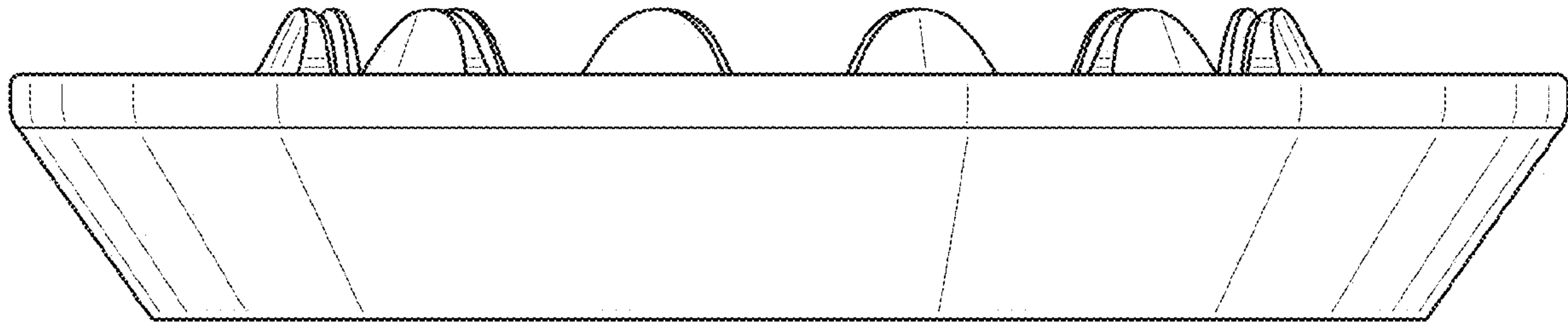


FIG. 5

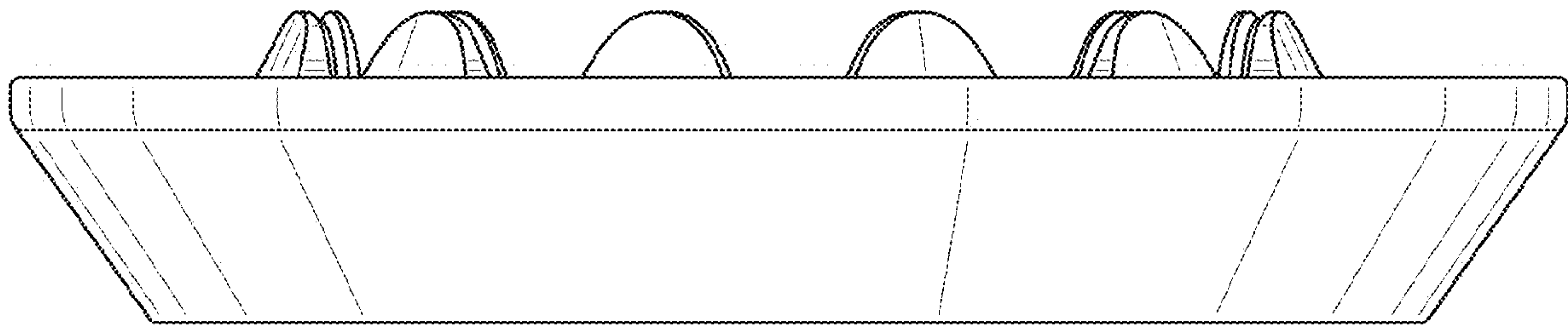


FIG. 6

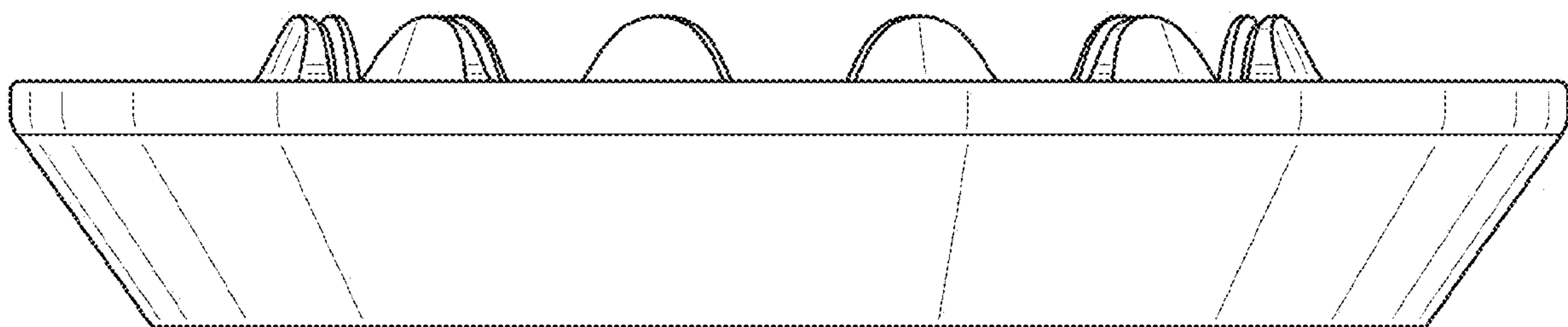


FIG. 7