

US00D895894S

(12) **United States Design Patent** (10) **Patent No.:** **US D895,894 S**  
**Bajpai et al.** (45) **Date of Patent:** **\*\* Sep. 8, 2020**

(54) **MOUTHPIECE FOR A PORTABLE VAPORIZER**

(71) Applicant: **Puff Corporation**, Los Angeles, CA (US)

(72) Inventors: **Avinash Bajpai**, Los Angeles, CA (US); **Roger Volodarsky**, Los Angeles, CA (US); **Ryan Fitt**, Santa Rosa, CA (US)

(73) Assignee: **Puff Corporation**, Los Angeles, CA (US)

(\*\*) Term: **15 Years**

(21) Appl. No.: **29/710,581**

(22) Filed: **Oct. 24, 2019**

(51) **LOC (12) Cl.** ..... **27-06**

(52) **U.S. Cl.**  
USPC ..... **D27/194**; D27/162

(58) **Field of Classification Search**  
USPC ..... D27/100, 101, 162, 163–171, 172–194;  
D23/360  
CPC ..... A24F 47/008; A24F 47/002; A61M 15/06;  
A61M 15/0021  
See application file for complete search history.

(56) **References Cited**

**U.S. PATENT DOCUMENTS**

D243,256 S *	2/1977	Grihalva .....	D27/162
D245,343 S *	8/1977	Kahler .....	D27/162
D273,714 S *	5/1984	Sher .....	D27/162
D368,551 S *	4/1996	Richards .....	D27/162
D401,011 S *	11/1998	Sloan, II .....	D27/183
D543,312 S *	5/2007	Guan .....	D27/170
D724,779 S *	3/2015	Liu .....	D27/101
D728,854 S *	5/2015	Siniakov .....	D27/162
D749,261 S *	2/2016	Chen .....	D27/162
D749,262 S *	2/2016	Schoenfeld .....	A47G 19/2205 D27/163

D752,279 S *	3/2016	Liu .....	D27/101
D752,280 S *	3/2016	Verleur .....	D27/167
D754,915 S *	4/2016	Helou .....	D27/162
D757,996 S *	5/2016	Hua .....	D27/101
D758,003 S *	5/2016	Merwin .....	D27/163
D760,952 S *	7/2016	Mayor .....	D27/167

(Continued)

**FOREIGN PATENT DOCUMENTS**

CN	205285006	6/2016
CN	107529827	1/2018

(Continued)

**OTHER PUBLICATIONS**

Ryan Fitt Recycler Glass by Puffco. dated 2020. found online [Mar. 11, 2020] <https://www.puffco.com/products/ryan-fitt-recycler-glass>.\*

(Continued)

*Primary Examiner* — Marissa J Cash  
(74) *Attorney, Agent, or Firm* — Bryan Cave Leighton Paisner LLP

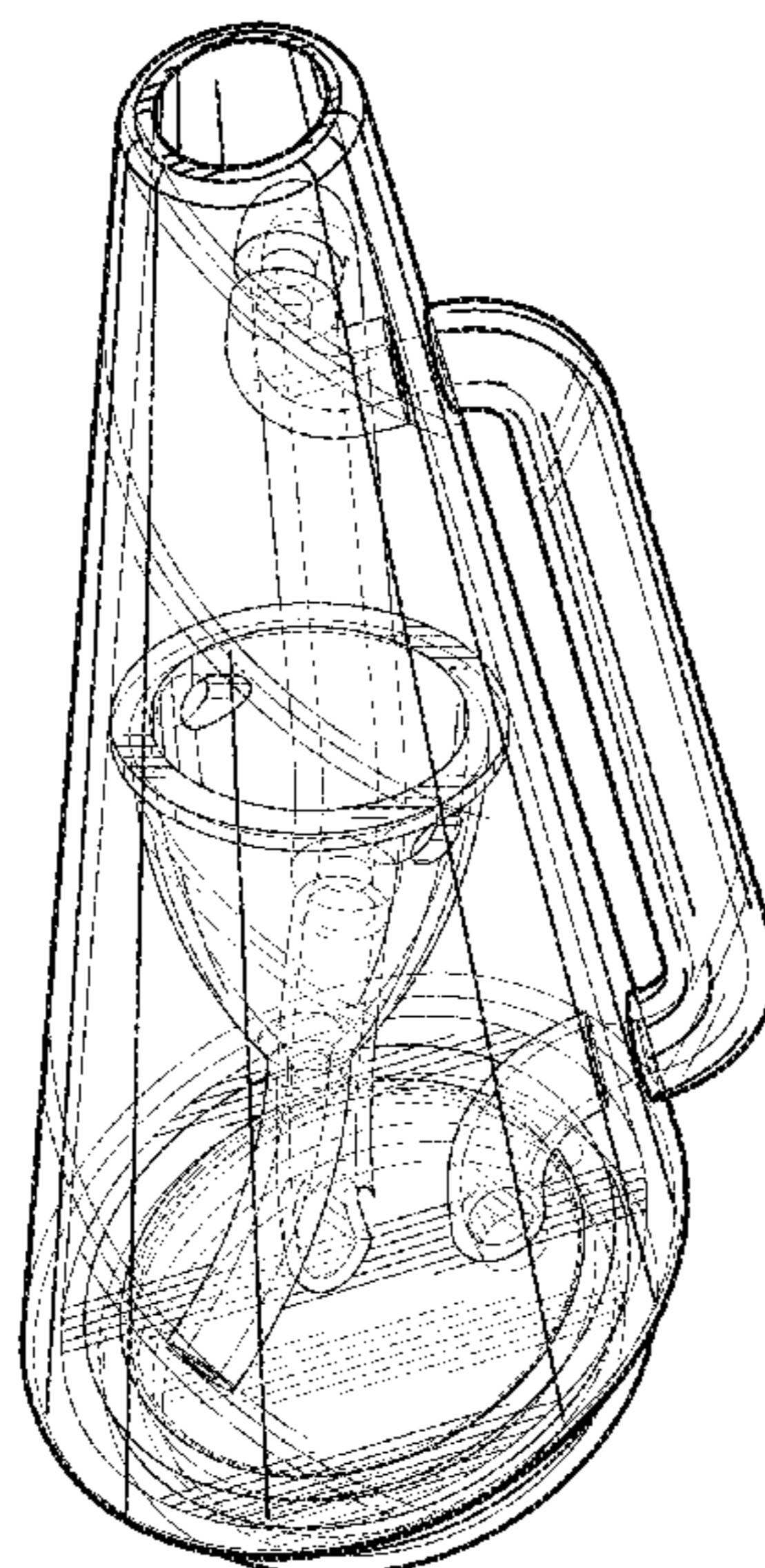
(57) **CLAIM**

The ornamental design for a mouthpiece for a portable vaporizer, as shown and described.

**DESCRIPTION**

FIG. 1 is a front perspective view of our mouthpiece for a portable vaporizer;  
FIG. 2 is a rear perspective view thereof;  
FIG. 3 is a side perspective view thereof;  
FIG. 4 is a front elevational view thereof;  
FIG. 5 is a rear elevational view thereof;  
FIG. 6 is an elevational view of a right side thereof;  
FIG. 7 is an elevational view of a left side thereof;  
FIG. 8 is a top view thereof; and,  
FIG. 9 is bottom view thereof.

**1 Claim, 9 Drawing Sheets**



(56)

References Cited

U.S. PATENT DOCUMENTS

D762,002 S \* 7/2016 Liu ..... D27/162  
 D764,703 S \* 8/2016 Liu ..... D27/101  
 D765,307 S \* 8/2016 Liu ..... D27/101  
 D767,818 S \* 9/2016 Kayvon ..... D27/162  
 D767,819 S \* 9/2016 Kayvon ..... D27/162  
 D769,519 S \* 10/2016 Chen ..... D27/101  
 D772,478 S \* 11/2016 Liu ..... D27/167  
 D780,372 S \* 2/2017 Liu ..... D27/101  
 9,603,390 B2 \* 3/2017 Li ..... A24F 47/008  
 D792,645 S \* 7/2017 Fornarelli ..... D27/167  
 D806,943 S \* 1/2018 Liu ..... D27/101  
 D813,448 S \* 3/2018 Servutas ..... D27/167  
 D814,103 S \* 3/2018 Levinson ..... D27/101  
 D817,544 S \* 5/2018 Chen ..... D27/167  
 10,004,264 B2 \* 6/2018 Rado ..... A24F 47/008  
 D823,534 S \* 7/2018 Chen ..... D27/162  
 D824,586 S \* 7/2018 Fornarelli ..... D27/194  
 D825,844 S \* 8/2018 Verleur ..... D27/167  
 D828,623 S \* 9/2018 Fornarelli ..... D27/194  
 D838,410 S \* 1/2019 Reimann ..... D27/162  
 D843,647 S \* 3/2019 Camitta ..... D27/162  
 D844,227 S \* 3/2019 Hoch ..... D27/162  
 D844,231 S \* 3/2019 Klimczyk ..... D27/162  
 D846,187 S \* 4/2019 Hoch ..... D27/162  
 D846,799 S \* 4/2019 Moore ..... D27/174  
 D849,318 S \* 5/2019 Deng ..... D27/162  
 D853,635 S \* 7/2019 Chen ..... D27/194  
 D854,740 S \* 7/2019 Opp ..... D27/162  
 D855,881 S \* 8/2019 Hawes ..... D27/194  
 D857,290 S \* 8/2019 Crowe ..... D27/162  
 10,375,997 B2 \* 8/2019 Guo ..... A24F 47/008  
 D861,242 S \* 9/2019 Han ..... D27/162  
 D861,979 S \* 10/2019 Sibley ..... D27/183  
 D862,795 S \* 10/2019 Caldas ..... D27/194  
 D863,671 S \* 10/2019 Reimann ..... D27/162  
 D865,277 S \* 10/2019 Hoch ..... D27/163  
 D867,657 S \* 11/2019 Fornarelli ..... D27/194  
 10,517,334 B1 \* 12/2019 Volodarsky ..... A61M 15/0021  
 D874,717 S \* 2/2020 Nhep ..... D27/162  
 D877,975 S \* 3/2020 Crowe ..... D27/162  
 2018/0199626 A1 \* 7/2018 Cheng ..... A24F 9/16  
 2019/0037921 A1 2/2019 Kennedy et al.

FOREIGN PATENT DOCUMENTS

DE M960355900005 9/1996  
 DE 0000590500002 7/2003

OTHER PUBLICATIONS

Aqua Labs Technologies, Boro Farm—Puffco Peak Attachment, 4 pages, retrieved from <https://aqualabtechnologies.com/products/boro-farm-puffco-peak-attachment> Dec. 12, 2018.  
 Elev8 Glass Gallery, Elev8 Puffco Peak Recycler Top, 9 pages, retrieved from <https://www.elev8glassgallery.com/elev8-puffco-peak-recycler-top/> Aug. 31, 2019.  
 Taylor, C., Dabbing for beginners: Confessions of a cautious concentrate newbie, Mashable, 17 pages, retrieved from [mashable.com/article/dabbing-guide-puffco-peak-review/](https://mashable.com/article/dabbing-guide-puffco-peak-review/) Dec. 10, 2018.  
 NY vapeshop.com, Stoner Joe Vape Mouthpiece Replacements, 6 pages, retrieved from [nyvapeshop.com/stoner-joe-vape-mouthpiece-replacements/](https://nyvapeshop.com/stoner-joe-vape-mouthpiece-replacements/) Apr. 19, 2019.  
 Vapir, Inc., Vapir NO2 Vaporizer Top Mouthpiece, 3 pages, retrieved on Sep. 30, 2019 from [www.overstock.com/Health-Beauty/Vapir-NO2-Vaporizer-Top-Mouthpiece/9319043/product.html](https://www.overstock.com/Health-Beauty/Vapir-NO2-Vaporizer-Top-Mouthpiece/9319043/product.html) Sep. 30, 2019.  
 OJ Glass, OJ—Klein Incycler Rig Attachment W/ Opal for Focus V Carta, retrieved from [thedablab.com/oj-klein-incycler-rig-attachment-w-opal-for-focus-v-carta/](https://thedablab.com/oj-klein-incycler-rig-attachment-w-opal-for-focus-v-carta/) on Nov. 1, 2019 Apr. 2019.  
 OJ Glass, OJ—Klein Incycler Rig Attachment W/ Opal for Puffco Peak—Terps, retrieved from [thedablab.com/oj-klein-incycler-rig-attachment-w-opal-for-puffco-peak-terps/](https://thedablab.com/oj-klein-incycler-rig-attachment-w-opal-for-puffco-peak-terps/) Apr. 2019.  
 Badass Glass, Incycler Puffco Peak Glass Attachment, retrieved from [badassglass.com/products/incycler-puffco-peak-glass-attachment](https://badassglass.com/products/incycler-puffco-peak-glass-attachment) Jul. 2019.  
 Glasscm, 2019 Latest puffco peak Recycler glass accessory with Thick Clear Puffco Peak Vaporizer smoking dabbin rig Latest, retrieved from [dhgate.com/store/product/2019-latest-puffco-peak-recycler-glass-accessory/465471097.html#ssreview\\_39462-1-null](https://dhgate.com/store/product/2019-latest-puffco-peak-recycler-glass-accessory/465471097.html#ssreview_39462-1-null) May 2019.  
 Smoke Cartel, Inc., The “Patty Cake” Klein Style Incycler Recycler Dab Rig, retrieved from [smokecartel.com/products/patty-cake-clear-incycler](https://smokecartel.com/products/patty-cake-clear-incycler) Dec. 2015.  
 Smoke Cartel, Inc., The “Potter Hive” Incycler Recycler Dab Rig, retrieved from [smokecartel.com/products/potter-hive-incycler](https://smokecartel.com/products/potter-hive-incycler) Feb. 2017.  
 Smoke Cartel, Inc., “The Typhoon” Spiral Coil Recycler Rig, retrieved from [smokecartel.com/products/the-typhoon-spiral-coil-recycler-rig](https://smokecartel.com/products/the-typhoon-spiral-coil-recycler-rig) Feb. 2016.  
 MJ Arsenal, MJ Arsenal Ursa Mini Ring, retrieved from [vapor.com/products/mj-arsenal-ursa-mini-ring](https://vapor.com/products/mj-arsenal-ursa-mini-ring) Aug. 2019.  
 420 Science, Positive Smash 8in Recycler Rig, retrieved from [420science.com/products/positive-smash-8in-recycler-rig](https://420science.com/products/positive-smash-8in-recycler-rig) Mar. 2018.  
 Black Sheep Gallery, Encore—Klein Incycler Rig W/ 14mm Female Joint & Quartz Banger—Blue, retrieved from [thedablab.com/encore-klein-incycler-rig-w-14mm-female-joint-quartz-banger-blue/](https://thedablab.com/encore-klein-incycler-rig-w-14mm-female-joint-quartz-banger-blue/) Aug. 2019.

\* cited by examiner

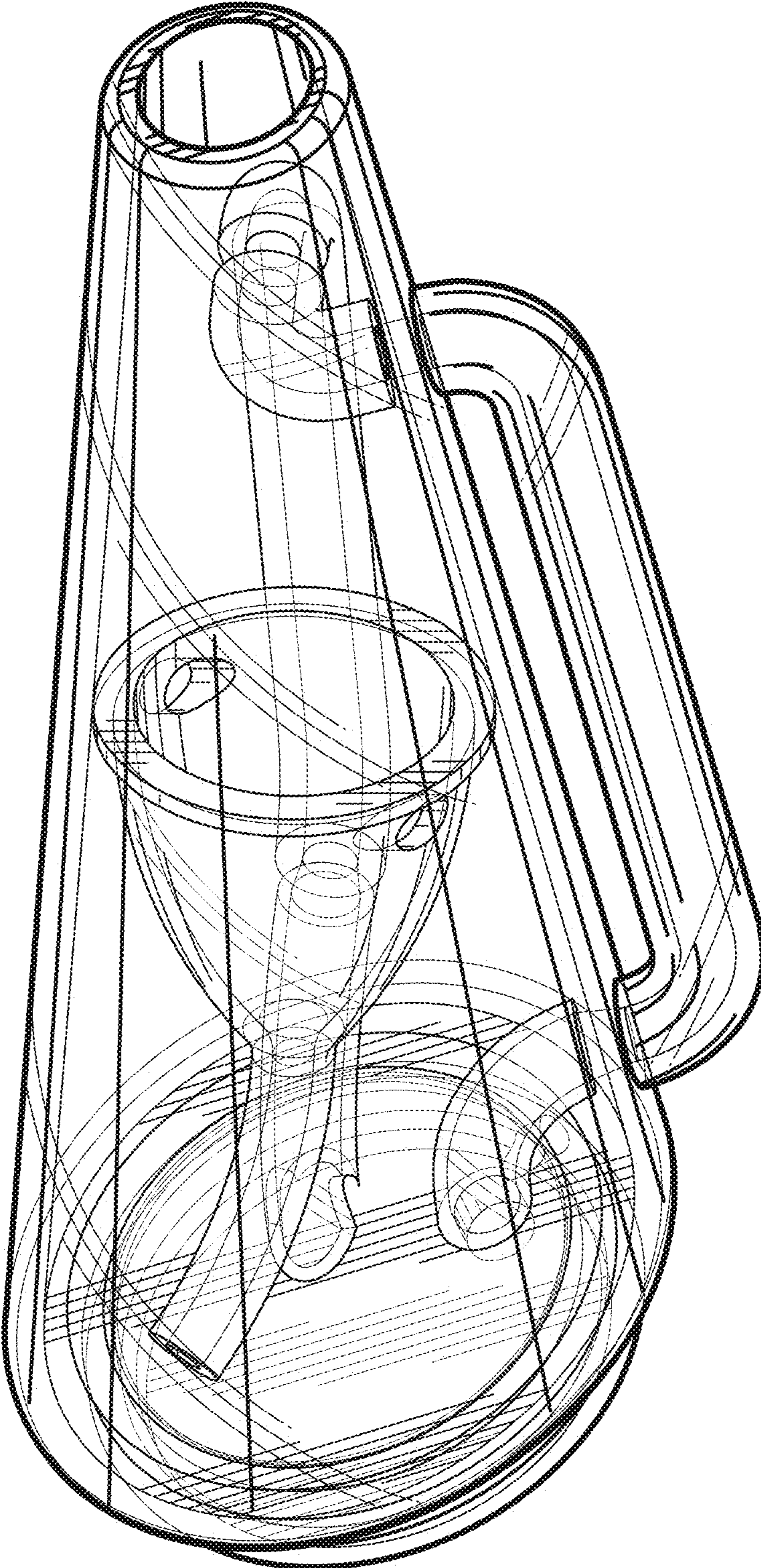


FIG. 1

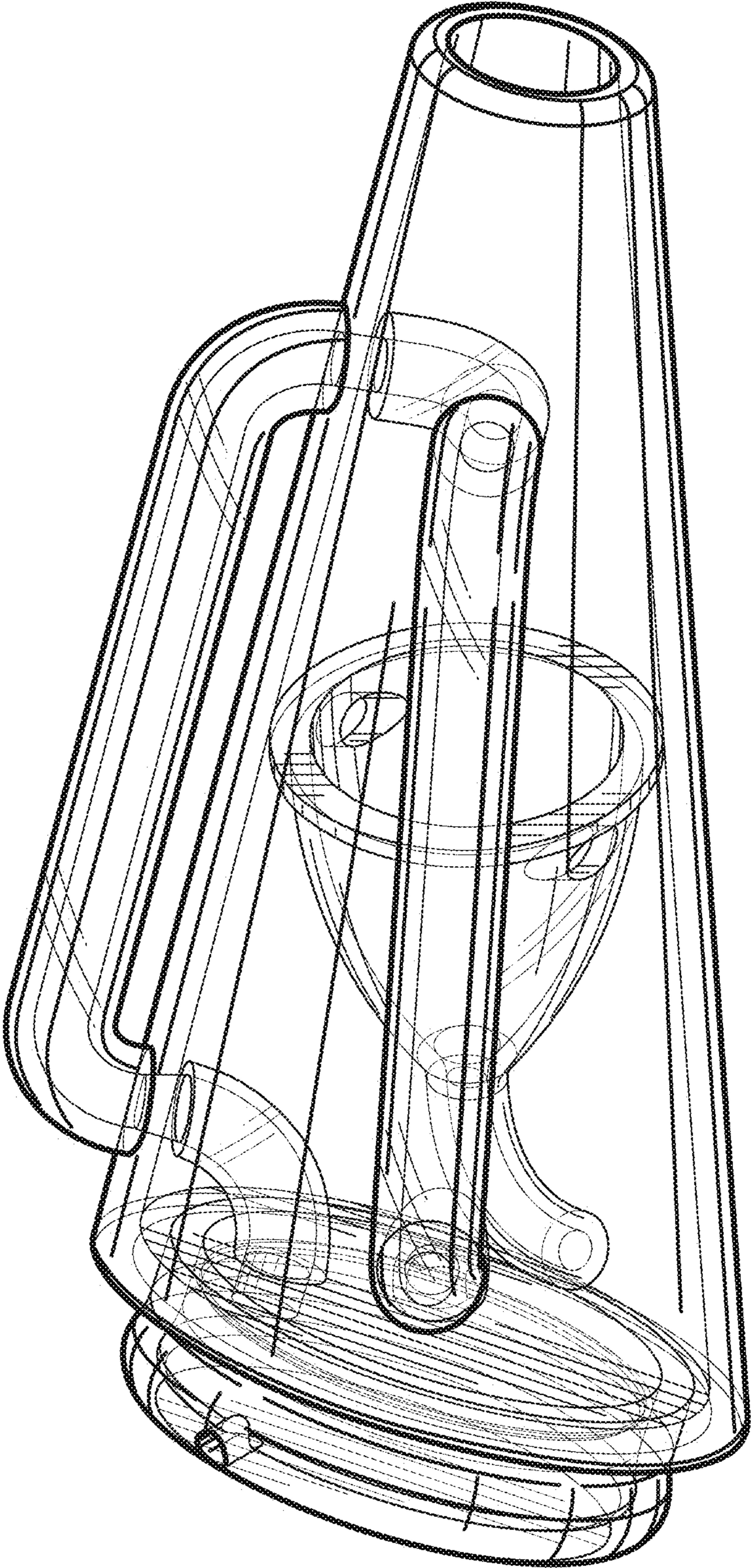


FIG. 2

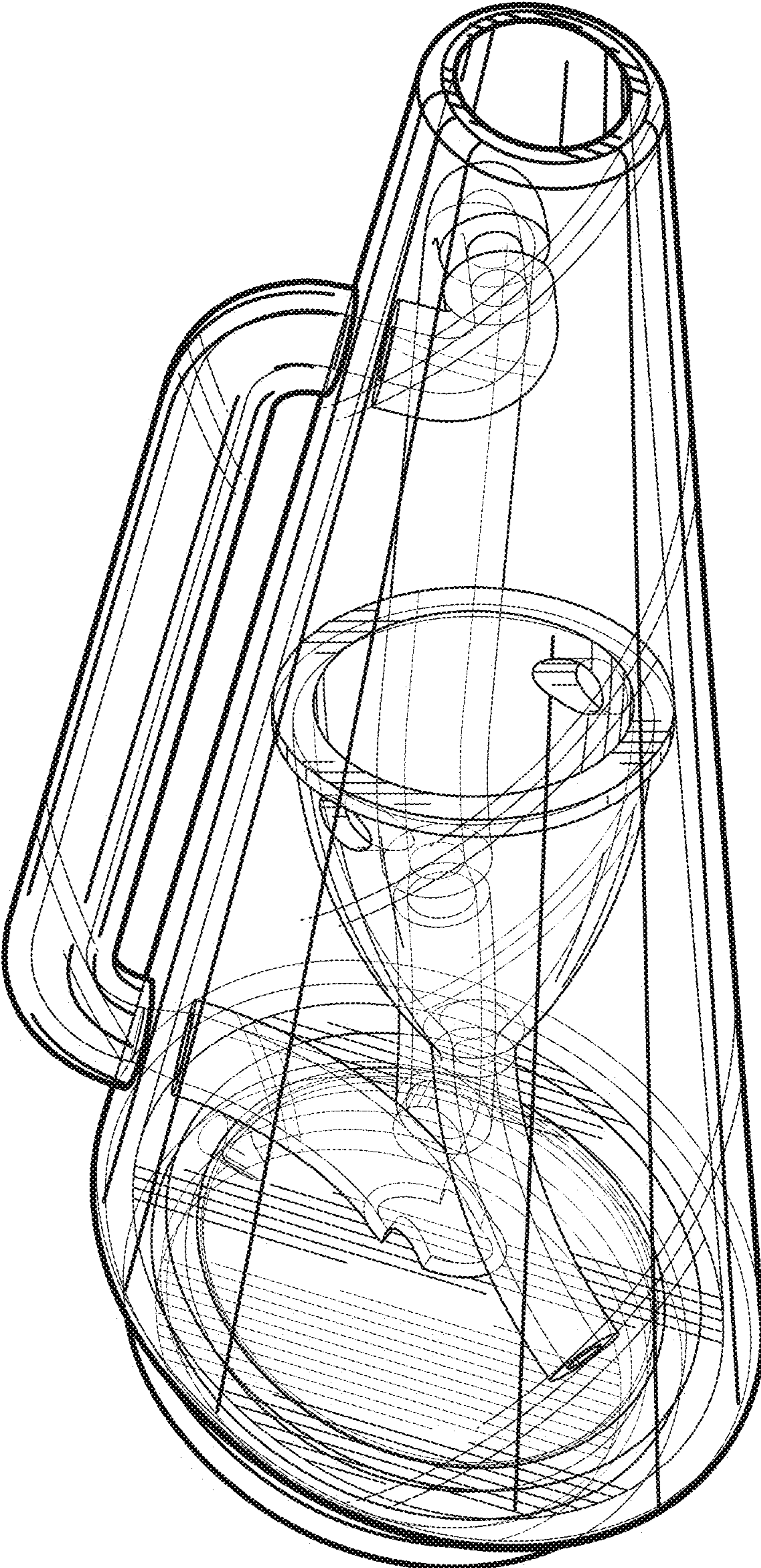


FIG. 3

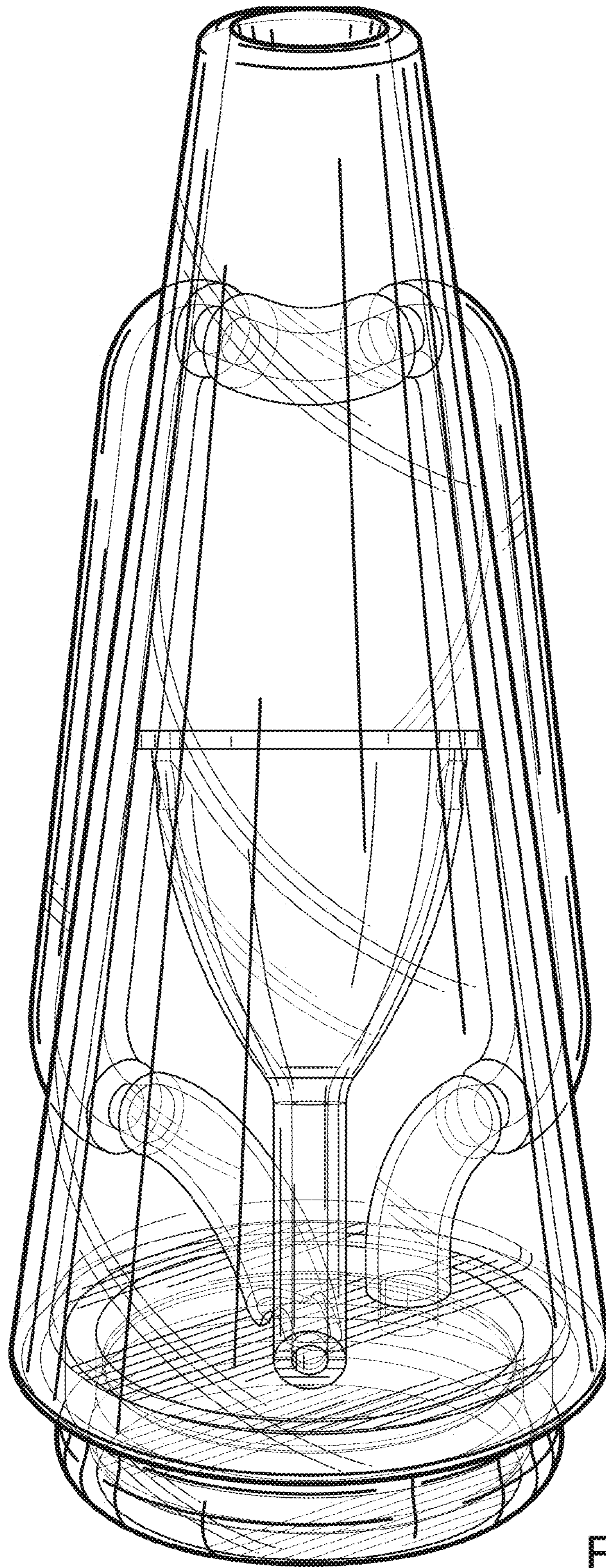


FIG. 4

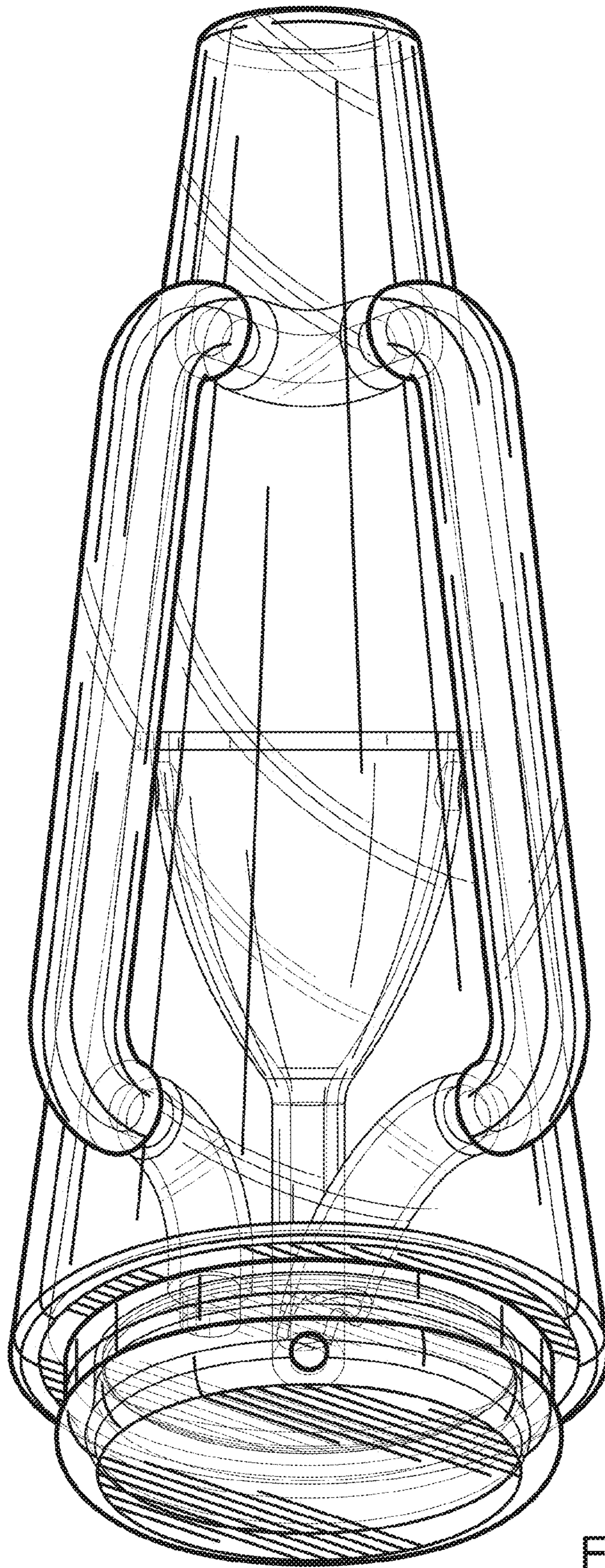


FIG. 5

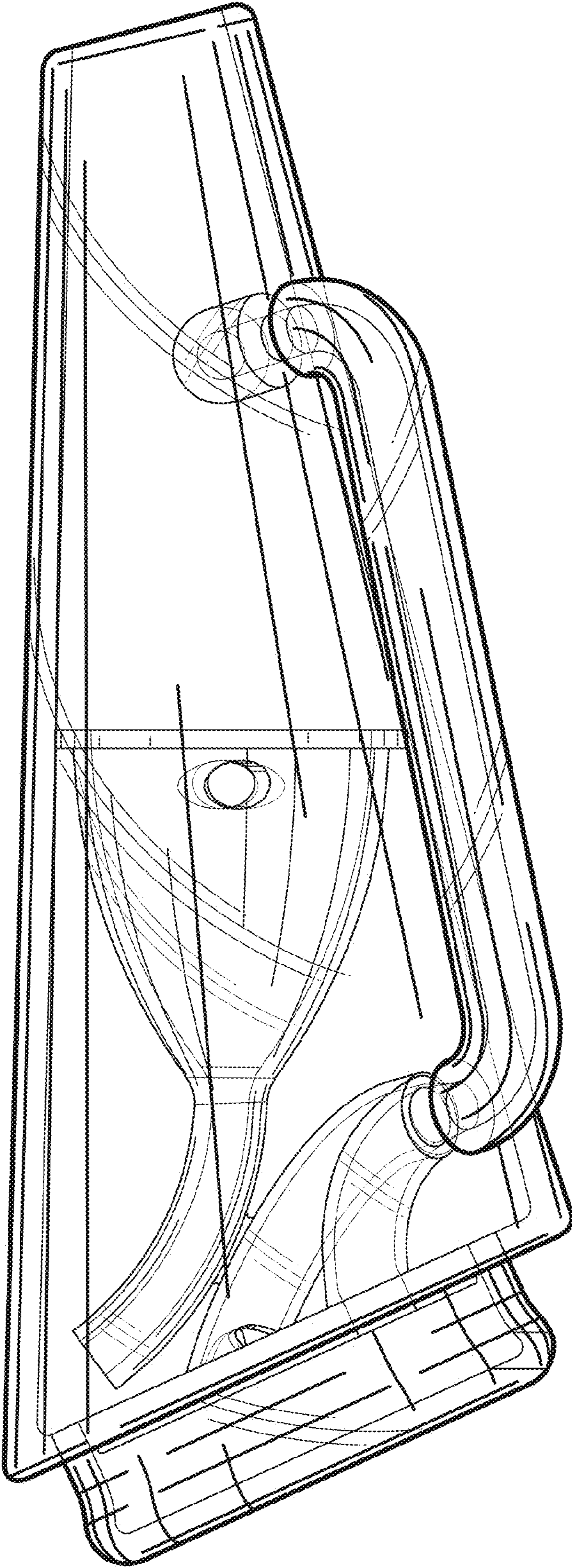


FIG. 6



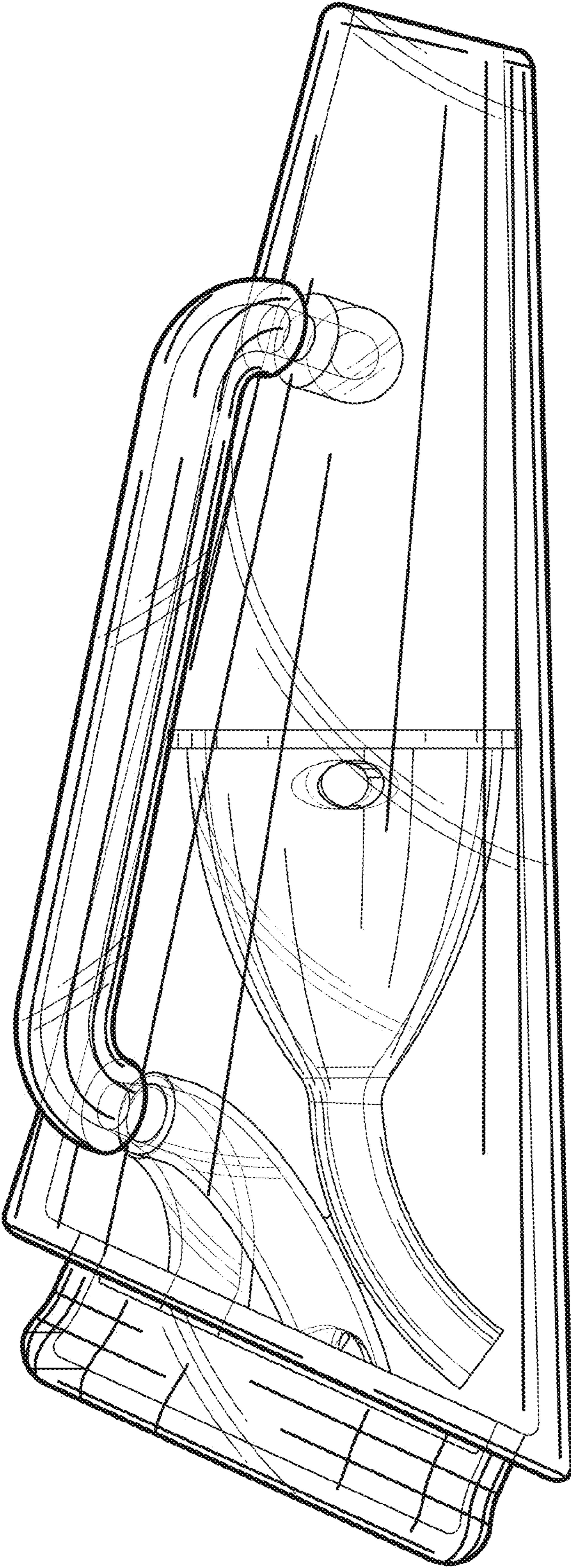


FIG. 7

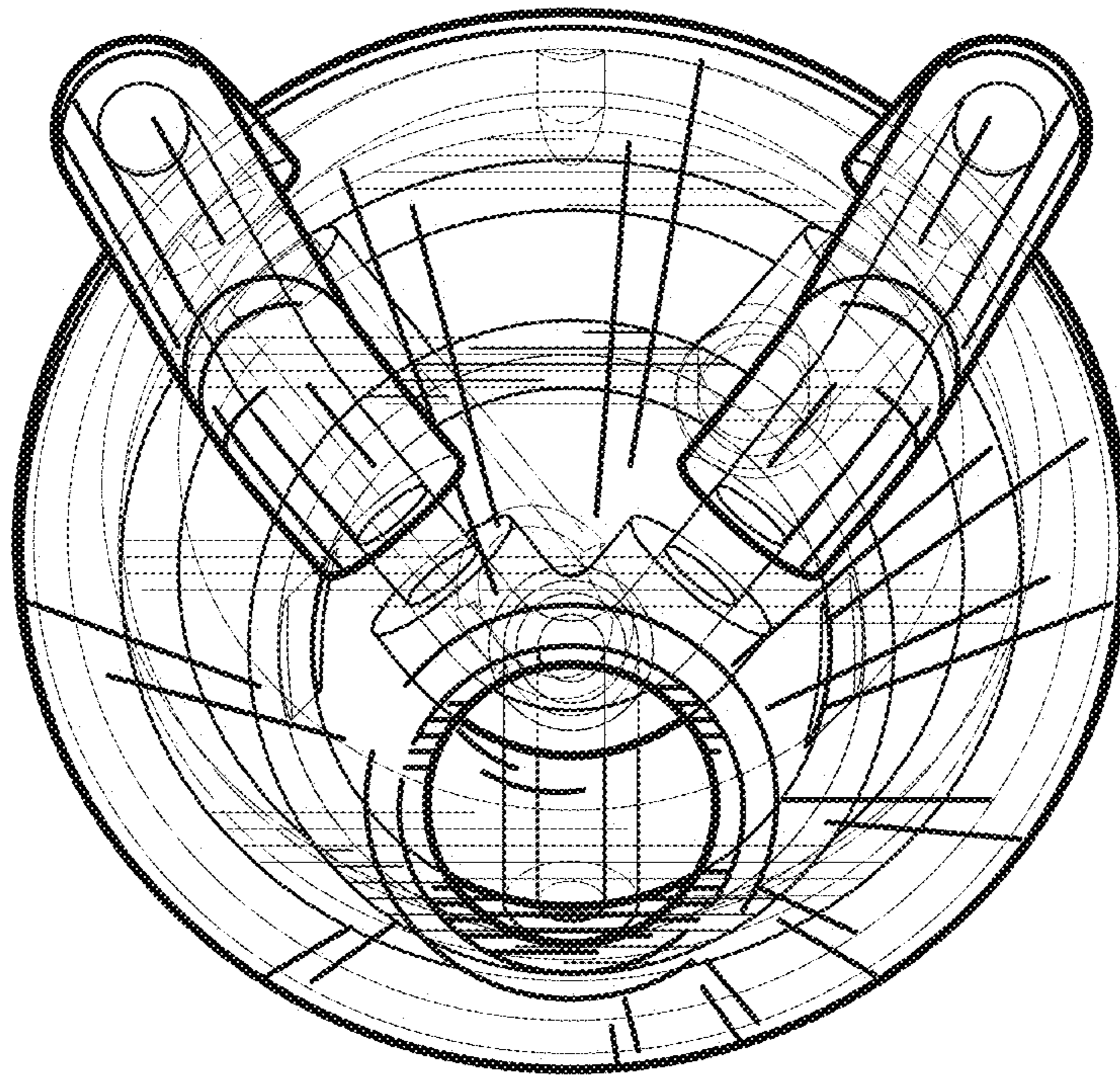


FIG. 8

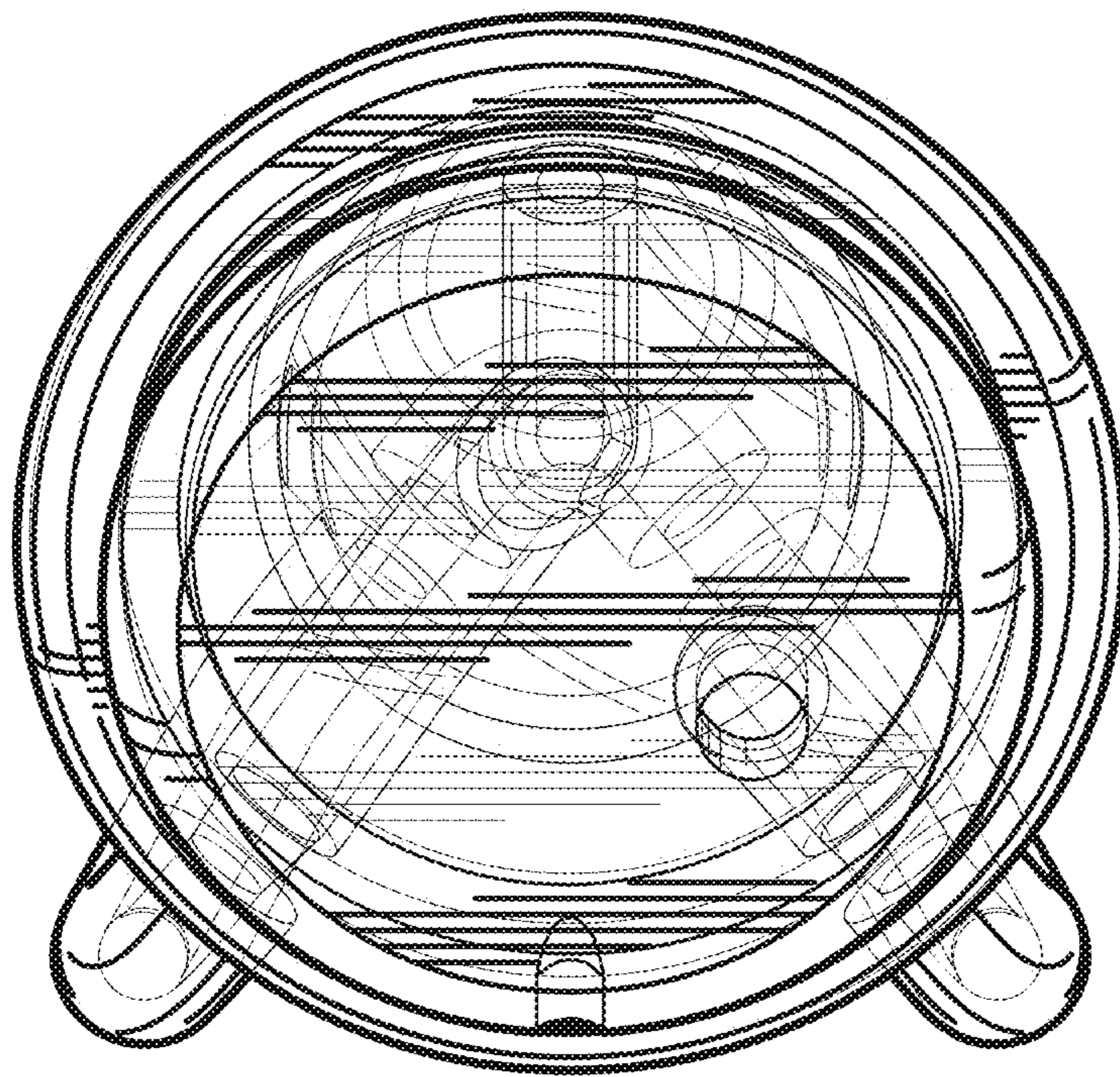


FIG. 9