



US00D895893S

(12) **United States Design Patent** (10) **Patent No.:** **US D895,893 S**
Crosby (45) **Date of Patent:** **** Sep. 8, 2020**

(54) **SNUFFER DEVICE**

(71) Applicant: **Judson Crosby**, Girwood, AK (US)

(72) Inventor: **Judson Crosby**, Girwood, AK (US)

(**) Term: **15 Years**

(21) Appl. No.: **29/656,764**

(22) Filed: **Jul. 16, 2018**

(51) **LOC (12) Cl.** **27-06**

(52) **U.S. Cl.**
USPC **D27/193**

(58) **Field of Classification Search**

USPC D27/193, 102, 125, 130, 134–136,
D27/142–144; 131/231, 329
CPC .. A24F 19/00; A24F 19/0014; A24F 19/0092;
A24F 19/0071; A24F 13/18
See application file for complete search history.

(56) **References Cited**

U.S. PATENT DOCUMENTS

3,263,690	A	8/1966	Buckley	
5,520,197	A *	5/1996	McDonough F23Q 2/46 131/329
D412,763	S *	8/1999	Zhuo D27/141
D414,293	S *	9/1999	Lee D27/102
D456,094	S *	4/2002	Robinson D27/142
D527,139	S *	8/2006	Deahl D27/129
D538,463	S *	3/2007	Chuang D27/143
D538,967	S *	3/2007	Chuang D27/143
D664,294	S *	7/2012	Howell D27/156
8,291,917	B2	10/2012	Sweeney	
8,695,608	B2 *	4/2014	Bardelli A24F 13/24 131/250
D729,442	S	5/2015	Albers	

(Continued)

Primary Examiner — Marissa J Cash
Assistant Examiner — Rebecca Tsehaye

(74) *Attorney, Agent, or Firm* — Boudwin Intellectual Property; Daniel Boudwin

(57) **CLAIM**

The ornamental design for a snuffer device, as shown and described.

DESCRIPTION

FIG. 1 depicts a perspective view of a first embodiment of a snuffer device.

FIG. 2 depicts a left elevation view of the first embodiment of the snuffer device.

FIG. 3 depicts a right elevation view of the first embodiment of the snuffer device.

FIG. 4 depicts a front elevation view of the first embodiment of the snuffer device.

FIG. 5 depicts a rear elevation view of the first embodiment of the snuffer device.

FIG. 6 depicts a top elevation view of the first embodiment of the snuffer device.

FIG. 7 depicts a bottom elevation view of the first embodiment of the snuffer device.

FIG. 8 depicts a perspective view of a second embodiment of the snuffer device.

FIG. 9 depicts a left elevation view of the second embodiment of the snuffer device.

FIG. 10 depicts a right elevation view of the second embodiment of the snuffer device.

FIG. 11 depicts a front elevation view of the second embodiment of the snuffer device.

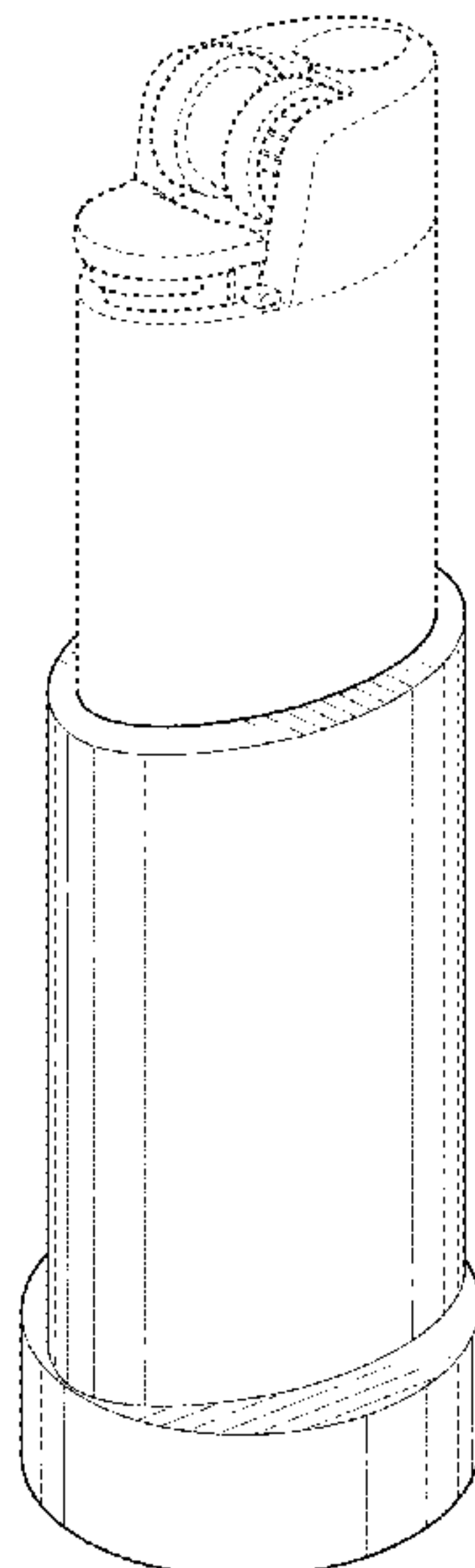
FIG. 12 depicts a rear elevation view of the second embodiment of the snuffer device.

FIG. 13 depicts a top elevation view of the second embodiment of the snuffer device; and,

FIG. 14 depicts a bottom elevation view of the second embodiment of the snuffer device.

The broken lines shown in FIGS. 6, 7, 13, and 14 depict portions of the snuffer device that form no part of the claimed design. The broken lines in FIGS. 1 and 8 are for purposes of illustrating environmental subject matter only that form no part of the claim thereof.

1 Claim, 8 Drawing Sheets



(56)

References Cited

U.S. PATENT DOCUMENTS

D738,568	S	9/2015	Bennett	
D785,861	S *	5/2017	Stoll	D27/152
D826,470	S *	8/2018	Huang	D27/167
2008/0142026	A1	6/2008	Chou	
2013/0008455	A1	1/2013	Healy et al.	
2019/0014816	A1 *	1/2019	Crosby	A24F 9/00

* cited by examiner

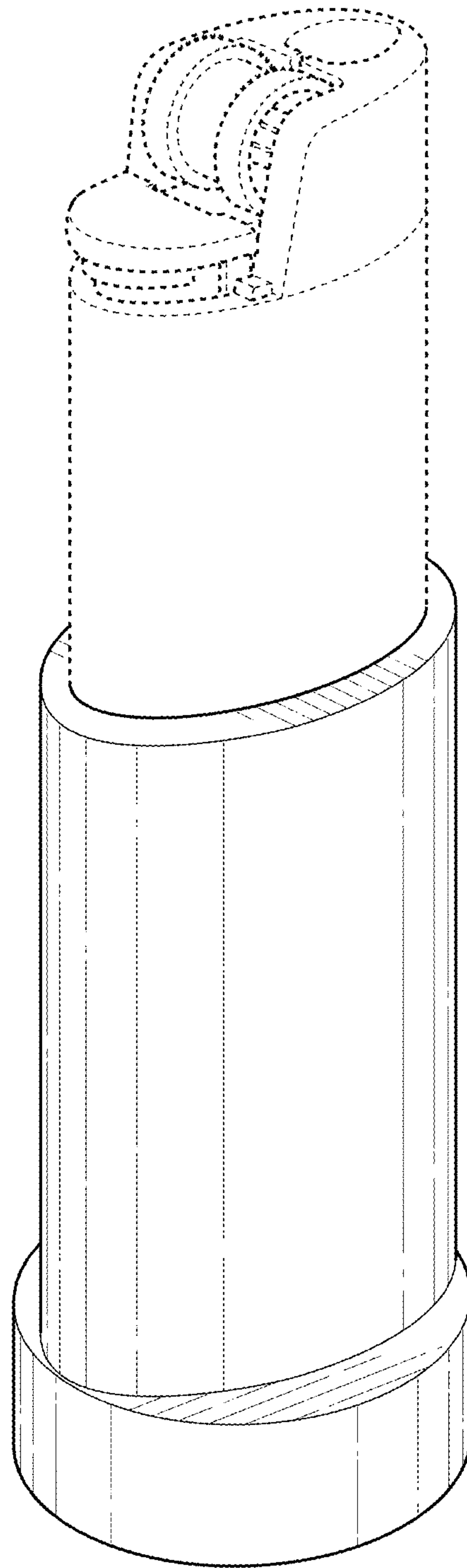


FIG. 1

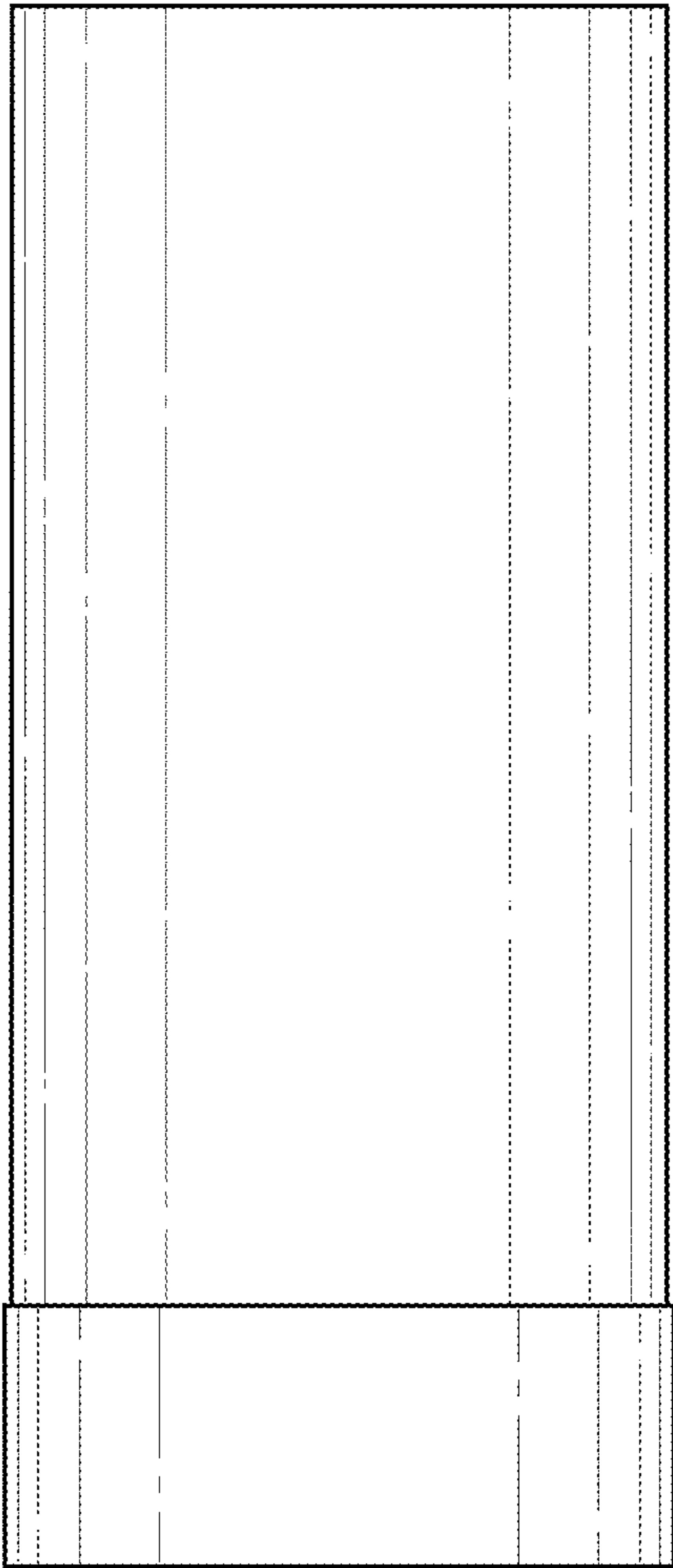


FIG. 2

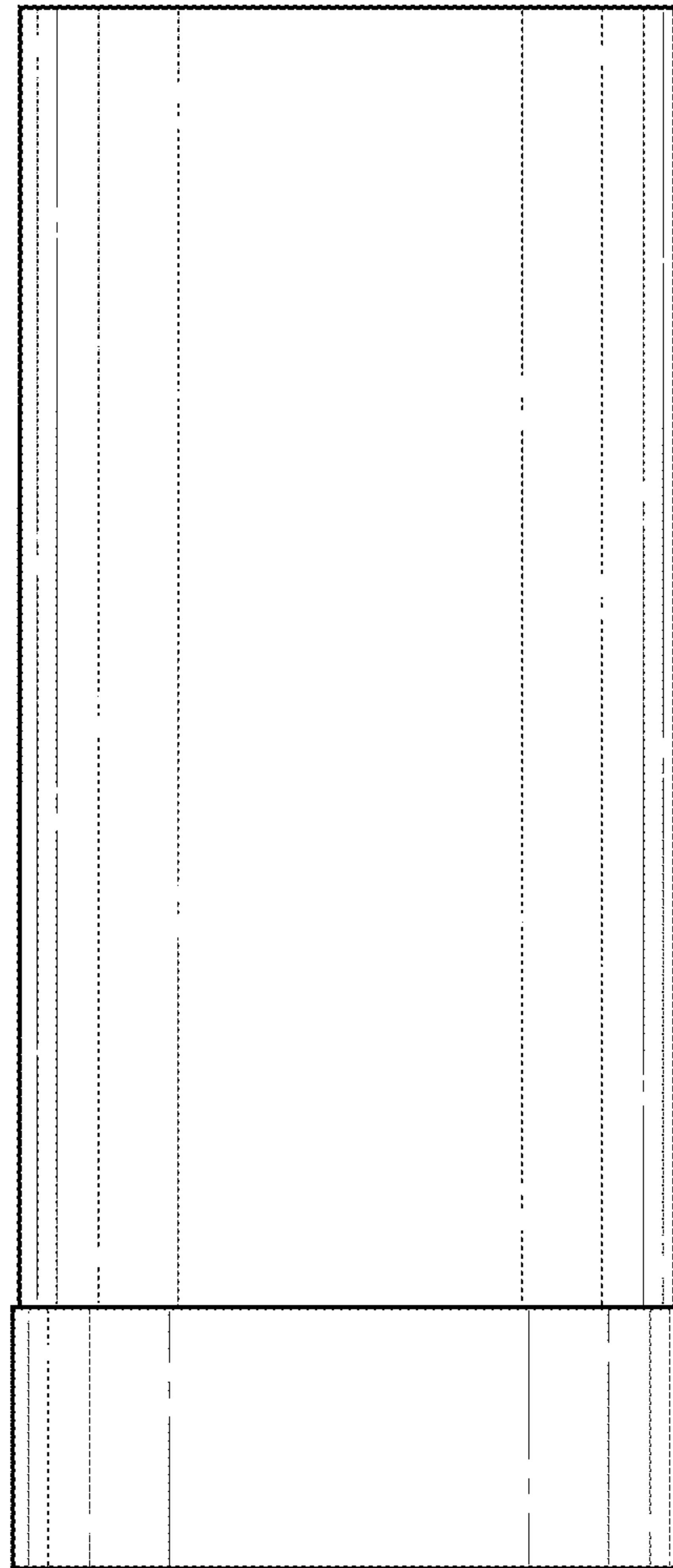


FIG. 3

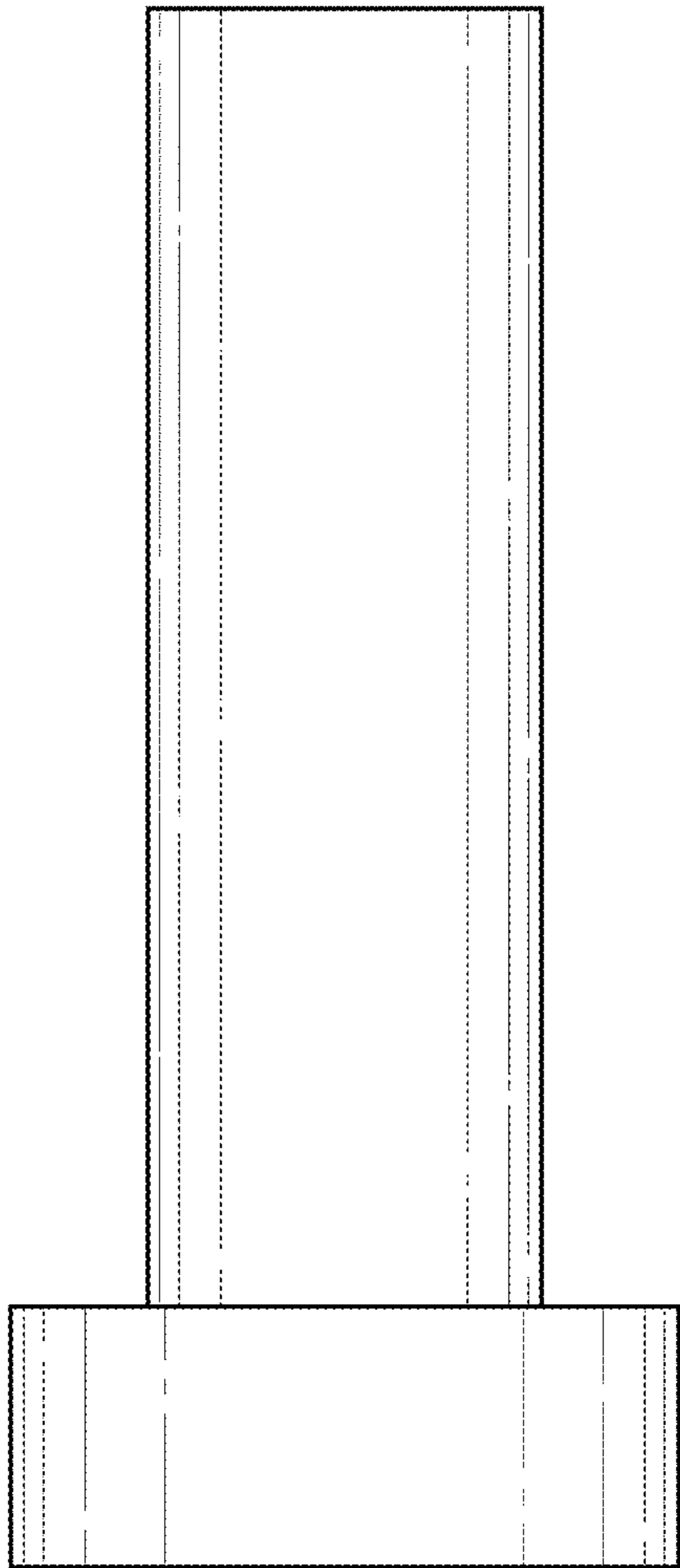


FIG. 4

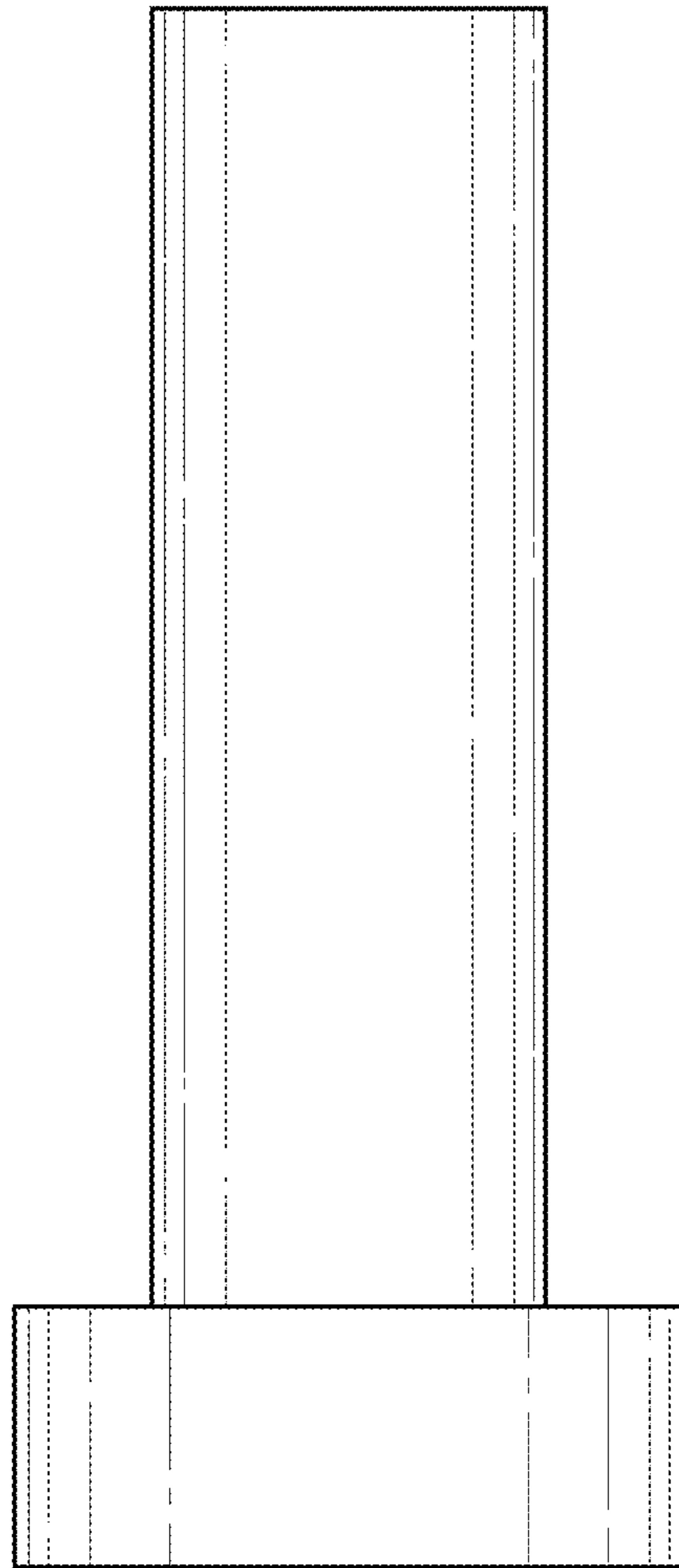


FIG. 5

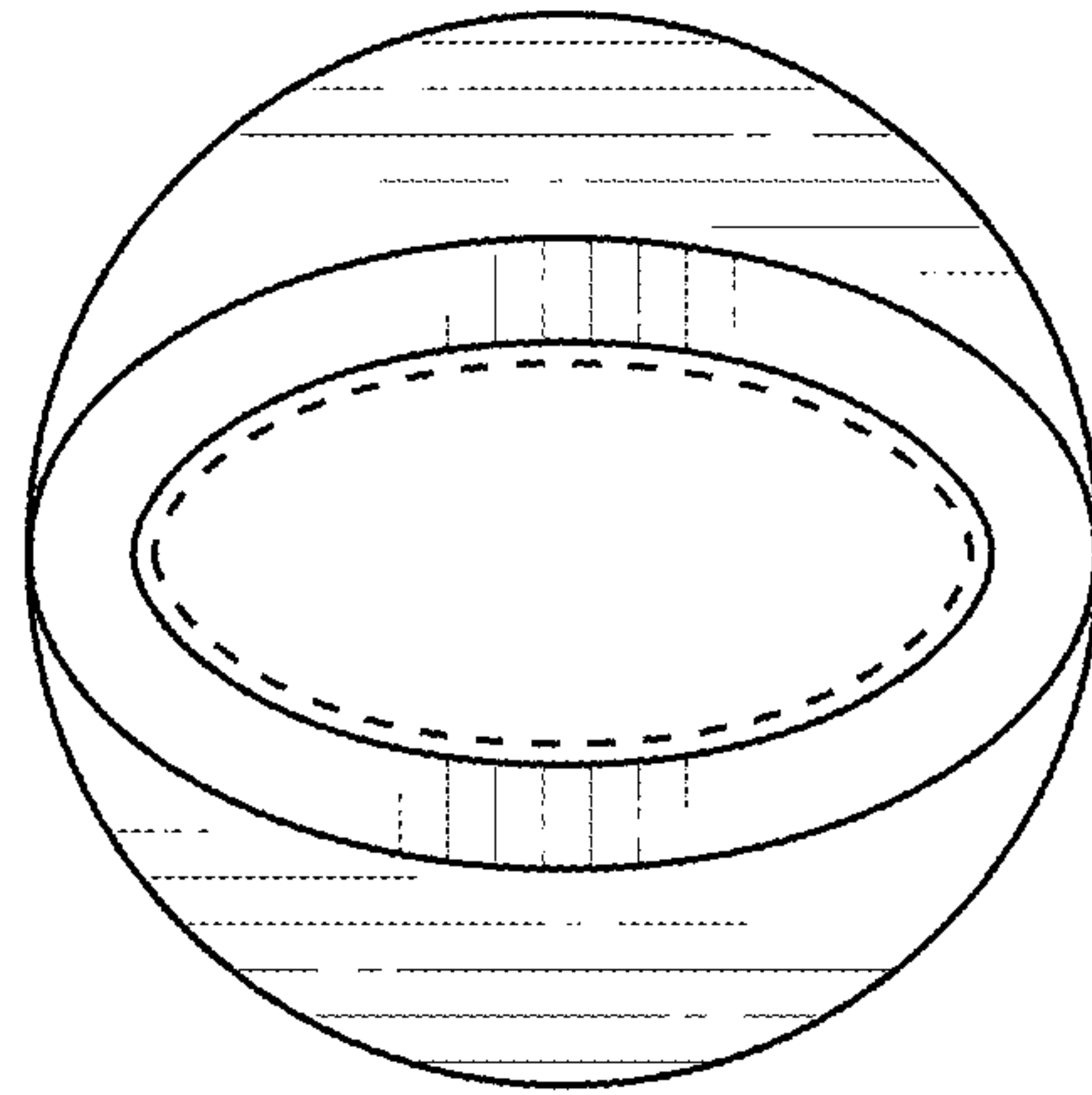


FIG. 6

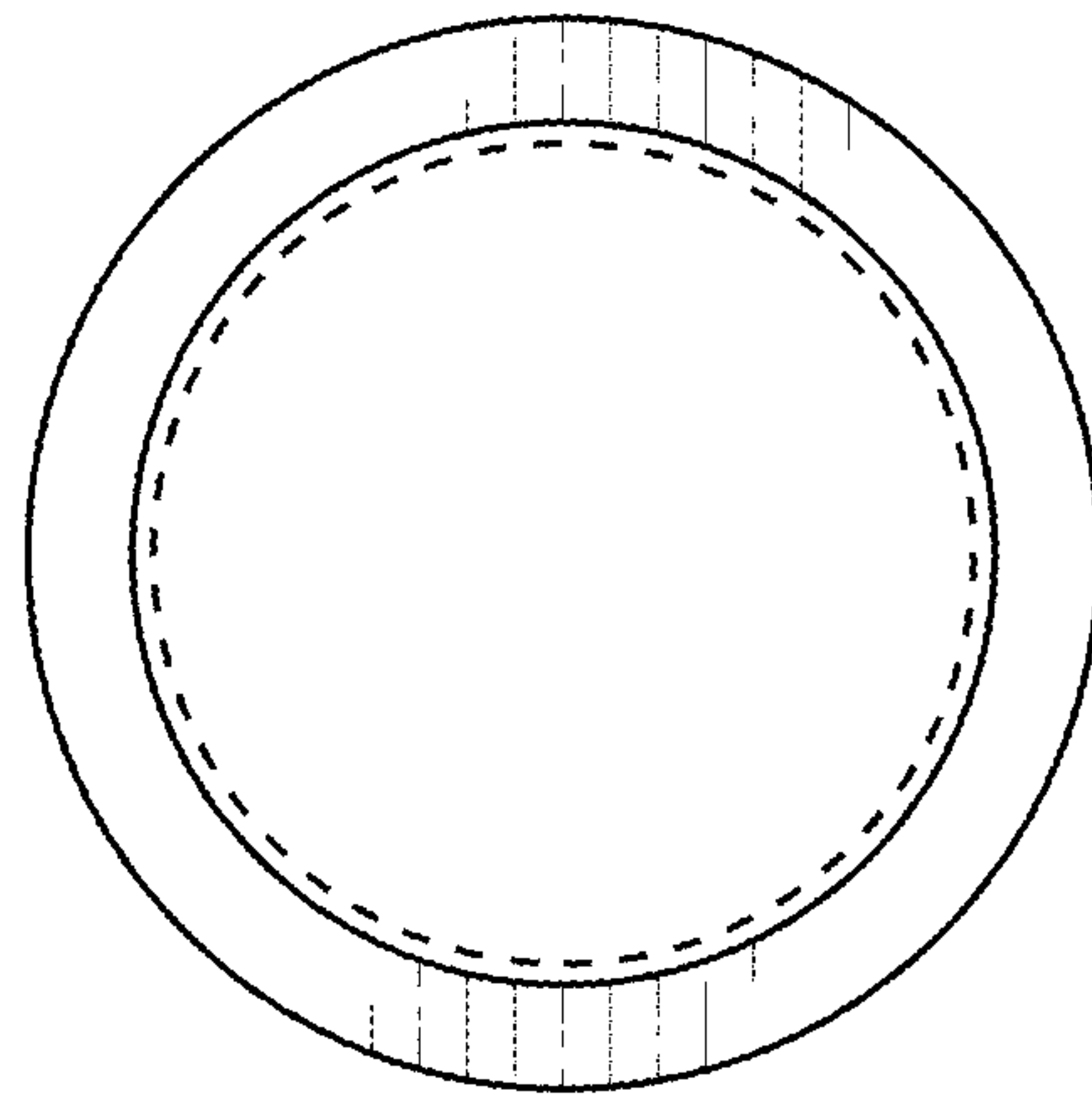


FIG. 7

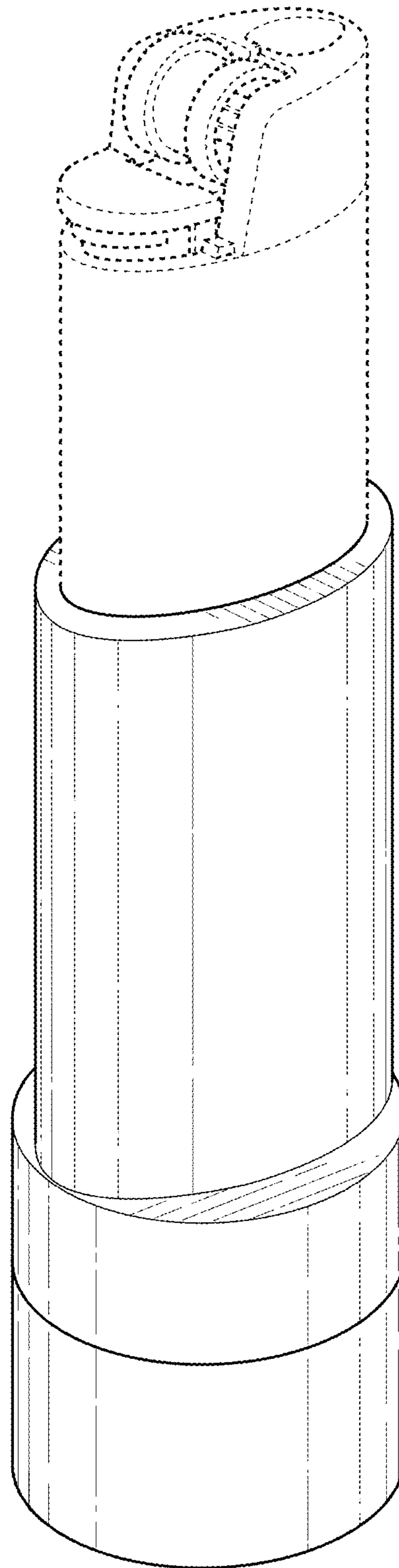


FIG. 8

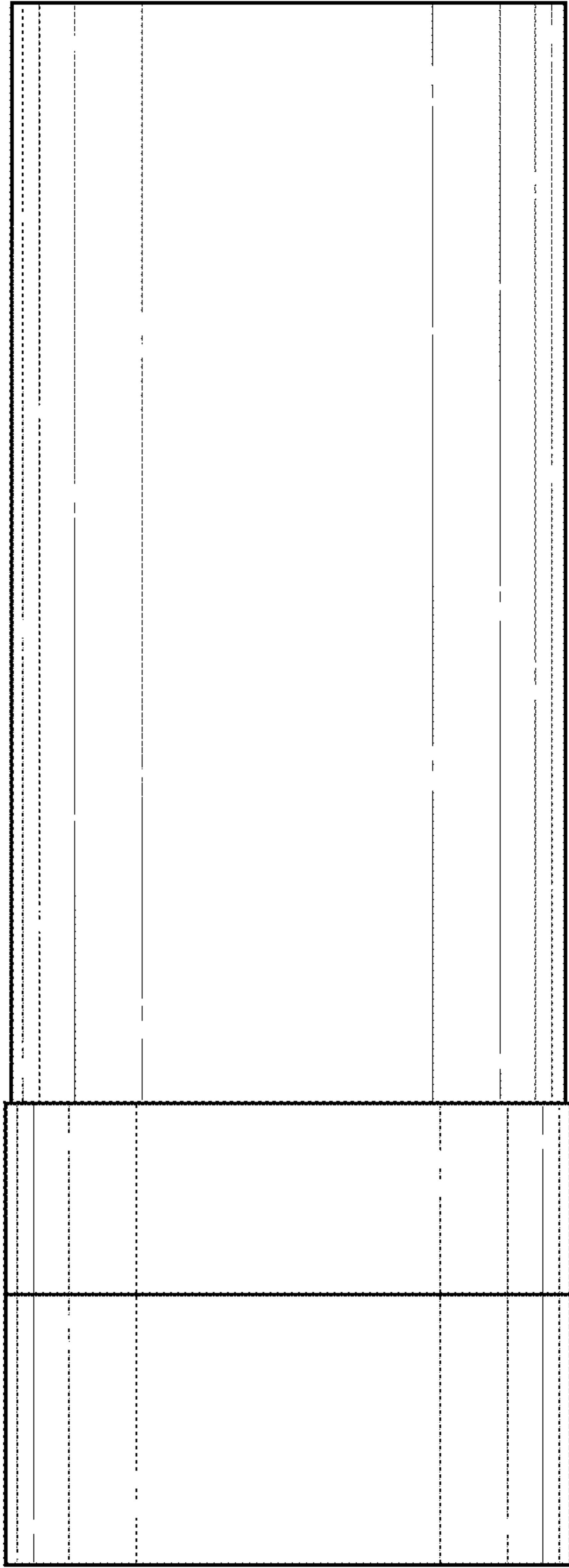


FIG. 9

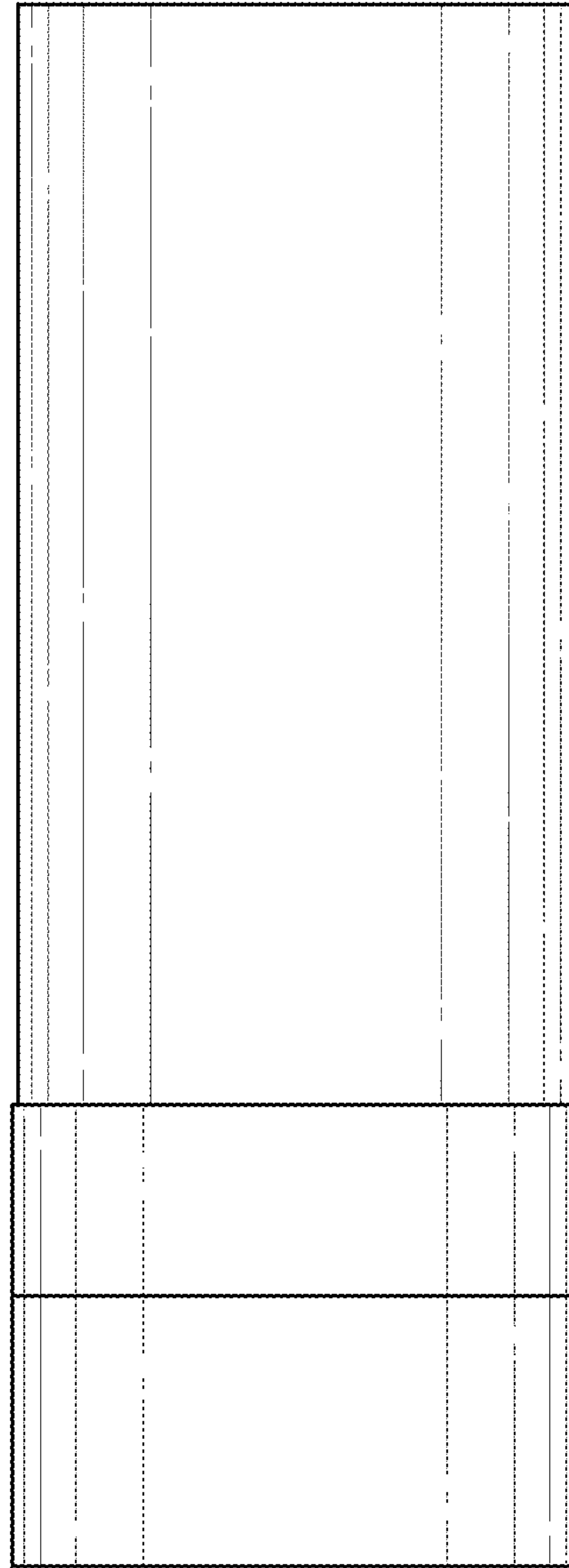


FIG. 10

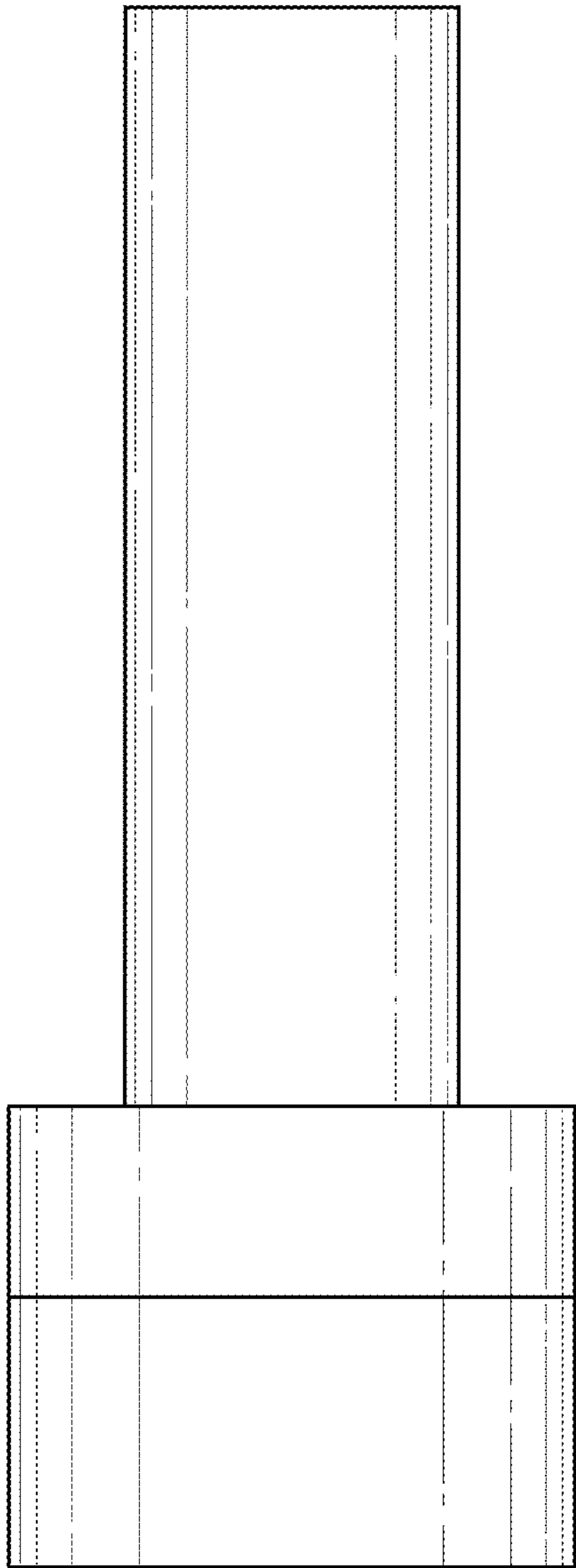


FIG. 11

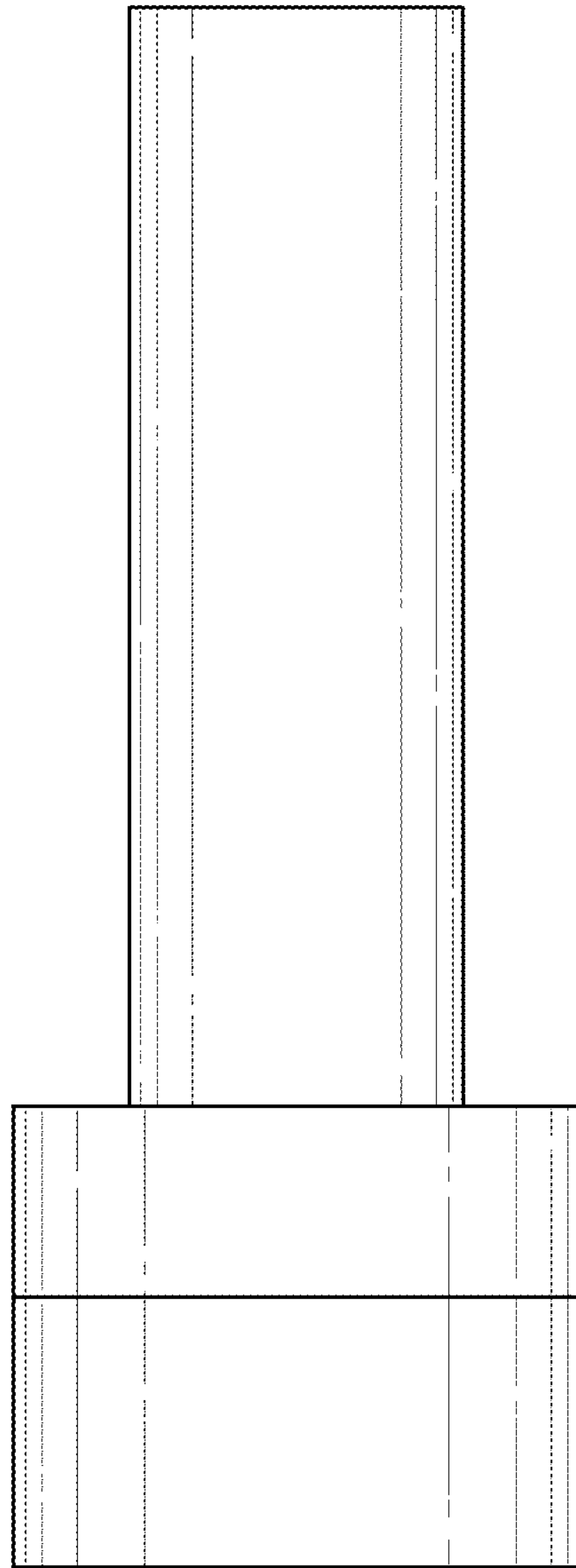


FIG. 12

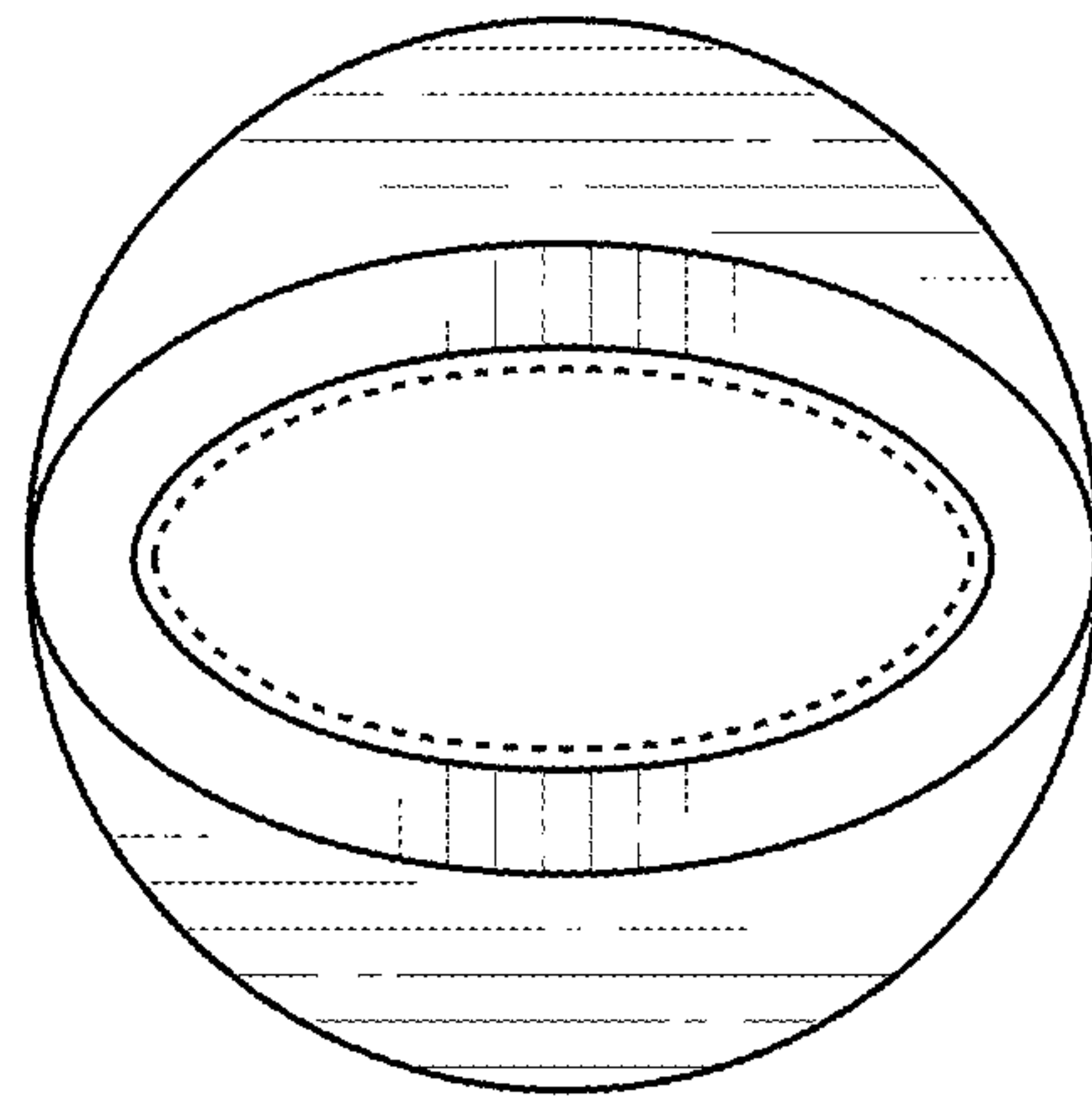


FIG. 13

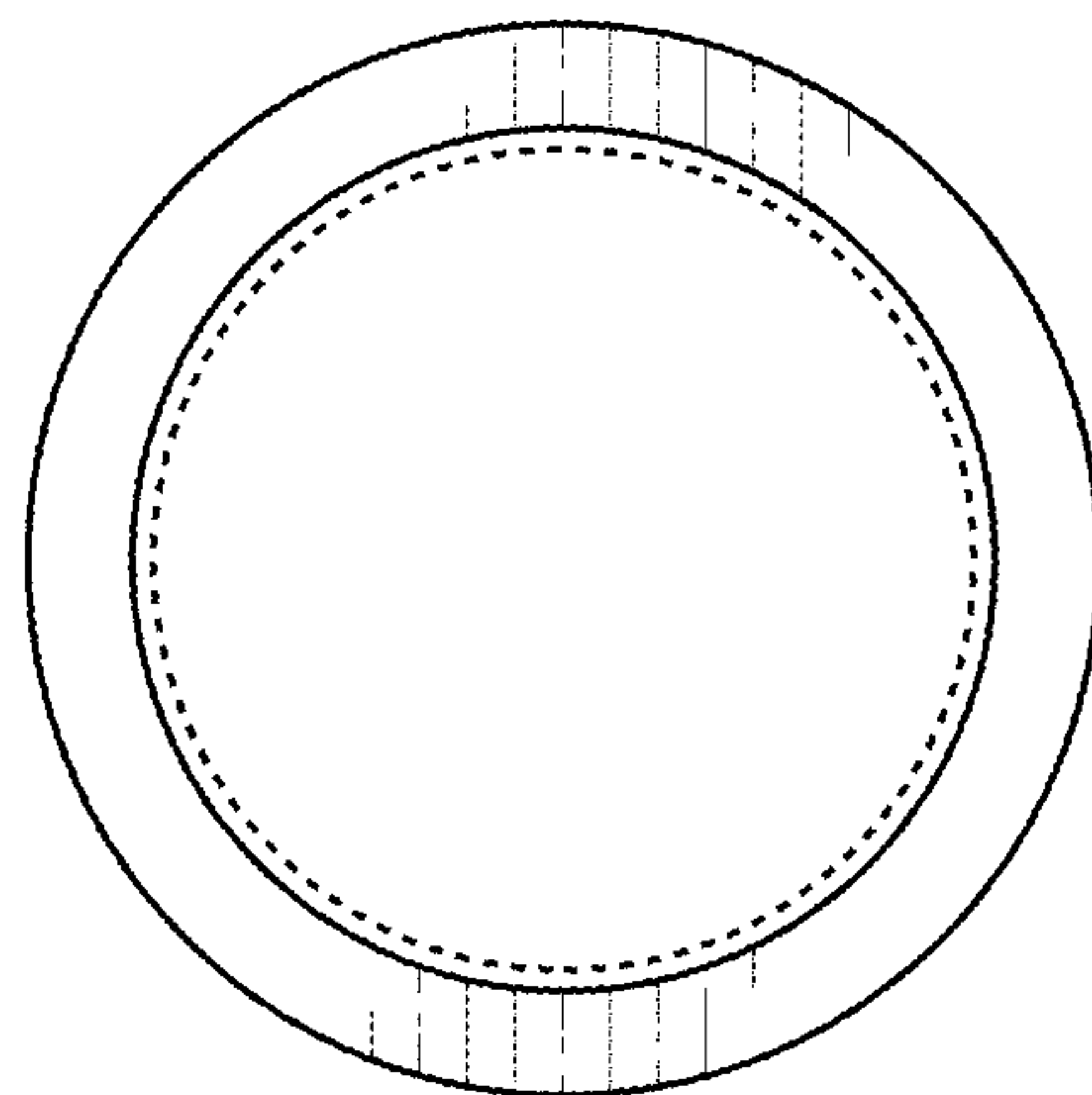


FIG. 14