



US00D895892S

(12) **United States Design Patent**
Lehoux

(10) **Patent No.:** **US D895,892 S**
(45) **Date of Patent:** **** Sep. 8, 2020**

(54) **DISPOSABLE CARTRIDGE WITH THREE SIDED WINDOW**

(71) Applicant: **Patrick Lehoux**, Sudbury (CA)

(72) Inventor: **Patrick Lehoux**, Sudbury (CA)

(**) Term: **15 Years**

(21) Appl. No.: **29/669,969**

(22) Filed: **Nov. 13, 2018**

(51) **LOC (12) Cl.** **27-02**

(52) **U.S. Cl.**
USPC **D27/162**

(58) **Field of Classification Search**

USPC D27/162, 167, 100, 101, 163–165, 172,
D27/183, 185–194; D24/110, 100.5;
128/202.21, 203.12; 131/270, 273, 274,
131/191, 329, 330, 360–365
CPC A24F 47/002; A24F 47/004; A24F 47/006;
A24F 47/008; A61M 15/06; A61M
15/0001; A61M 15/0002; A61M 15/0086
See application file for complete search history.

(56) **References Cited**

U.S. PATENT DOCUMENTS

D729,440 S *	5/2015	Liu	D27/101
D806,943 S *	1/2018	Liu	D27/101
D811,652 S *	2/2018	Liu	D27/167
D814,102 S *	3/2018	Lehoux	D27/101
D817,544 S *	5/2018	Chen	D27/167
D823,534 S *	7/2018	Chen	D27/162
D826,470 S *	8/2018	Huang	D27/167
D832,498 S *	10/2018	Chen	D27/101
D849,318 S *	5/2019	Deng	D27/162
D853,635 S *	7/2019	Chen	D27/194
D858,690 S *	9/2019	Fenton	D23/207
D861,978 S *	10/2019	Lai	D27/167
D867,657 S *	11/2019	Fornarelli	D27/194
D873,479 S *	1/2020	Lehoux	D27/167
D877,975 S *	3/2020	Crowe	D27/162

(Continued)

OTHER PUBLICATIONS

<https://www.trulieve.com/shop/o.penvape-reserve-cartridge-400mg-sativa> (May 19, 2020).*

Primary Examiner — Marissa J Cash

Assistant Examiner — Rebecca Tsehaye

(74) *Attorney, Agent, or Firm* — The Webb Law Firm

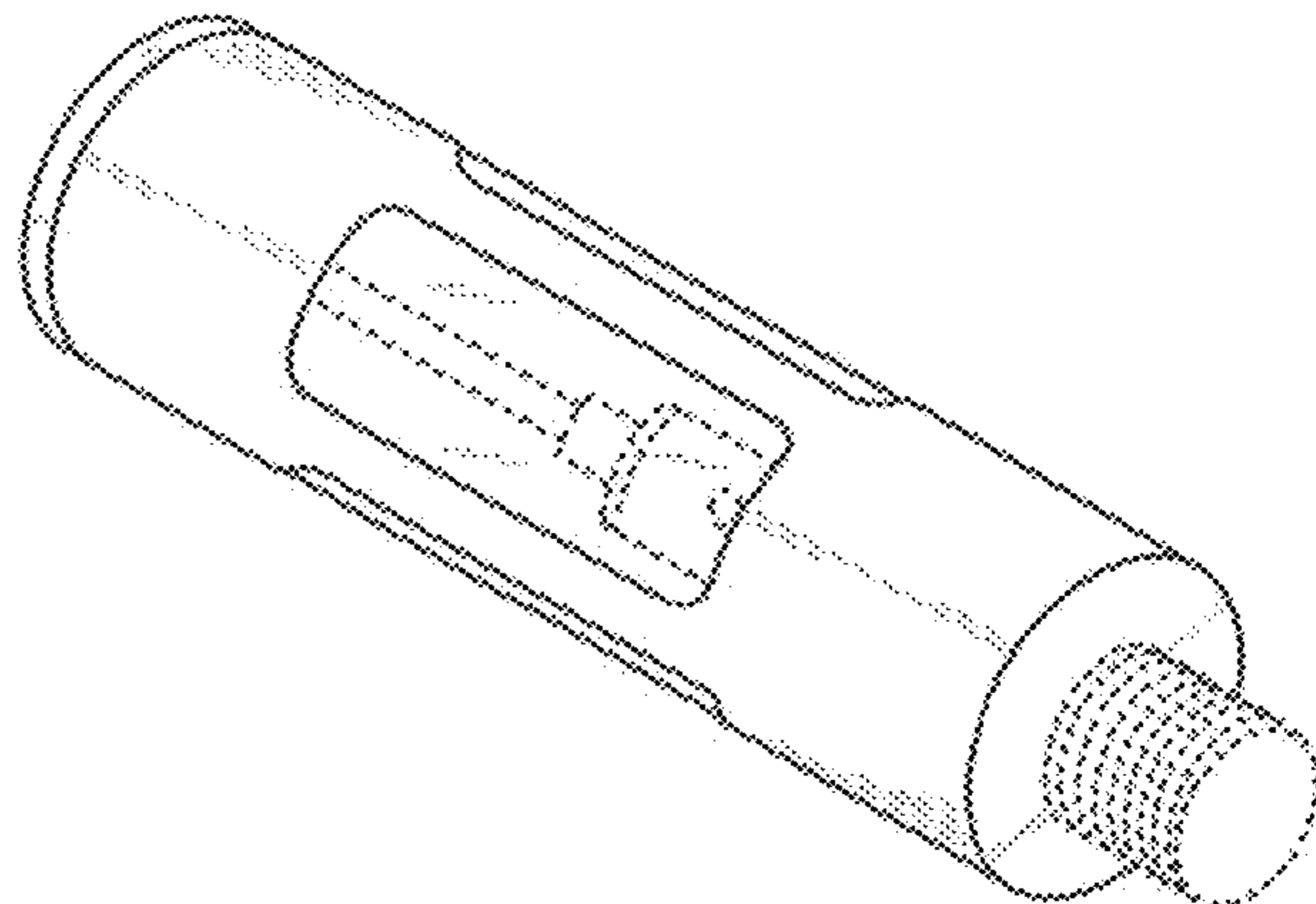
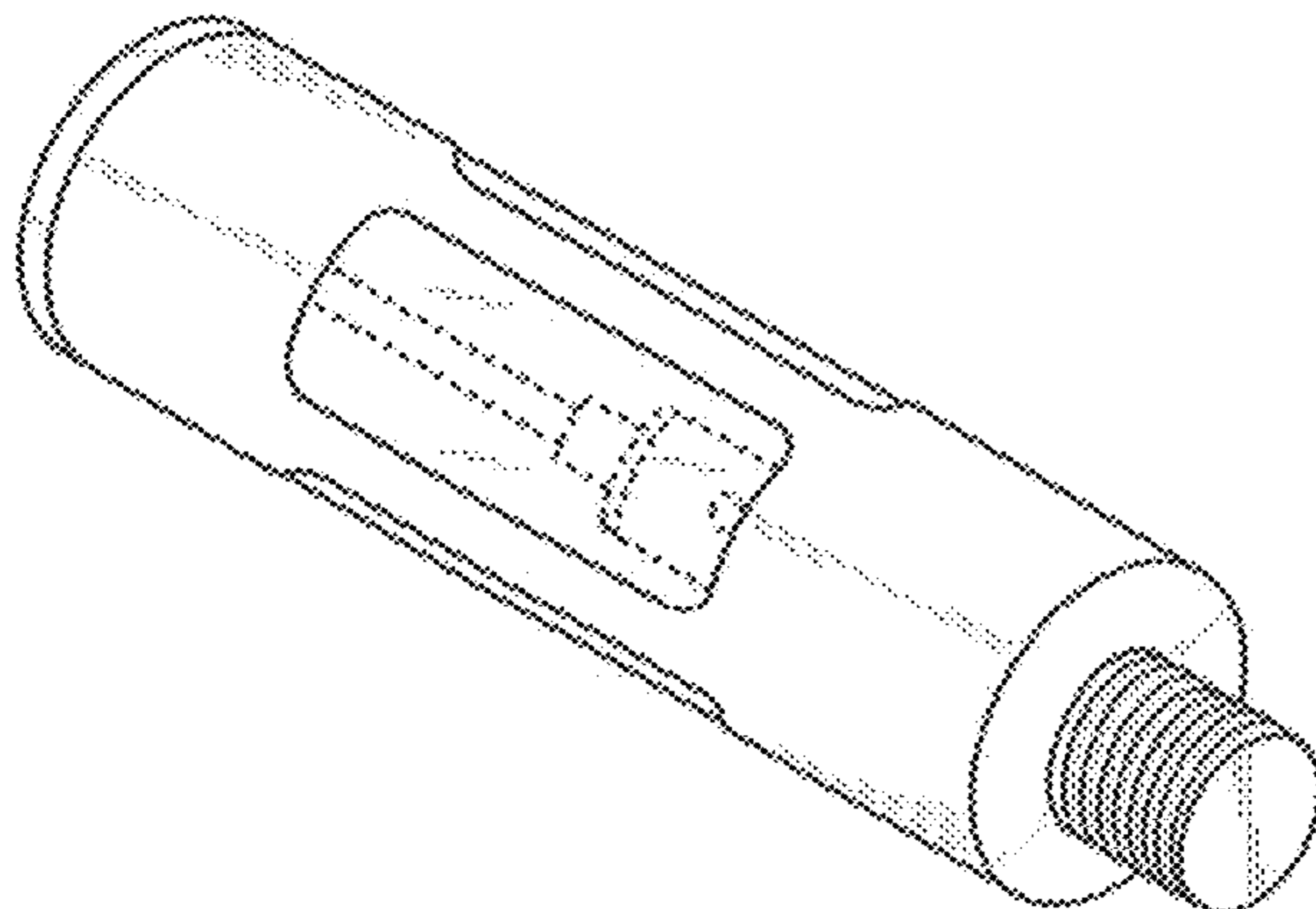
(57) **CLAIM**

The ornamental design for a disposable cartridge with three sided window, as shown and described.

DESCRIPTION

FIG. 1 is a perspective view of a disposable cartridge with three sided window showing my new design in accordance with a first embodiment of the invention;
FIG. 2 is a front elevation view thereof;
FIG. 3 is a rear elevation view thereof;
FIG. 4 is a right side elevation view thereof;
FIG. 5 is a left side elevation view thereof;
FIG. 6 is a top view thereof;
FIG. 7 is a bottom view thereof;
FIG. 8 is a perspective view of a disposable cartridge with three sided window showing my new design in accordance with a second embodiment of the invention;
FIG. 9 is a front elevation view thereof;
FIG. 10 is a rear elevation view thereof;
FIG. 11 is a right side elevation view thereof;
FIG. 12 is a left side elevation view thereof;
FIG. 13 is a top view thereof;
FIG. 14 is a bottom view thereof; and,
FIG. 15 is a perspective view thereof in its intended environment of use in with a vaporizer pen.
The portions of the disposable cartridge with three sided window shown in broken lines form no part of the claimed design.

1 Claim, 13 Drawing Sheets



(56)

References Cited

U.S. PATENT DOCUMENTS

2016/0295920 A1* 10/2016 Liu A24F 47/008
2019/0159524 A1* 5/2019 Qiu A24F 47/00

* cited by examiner

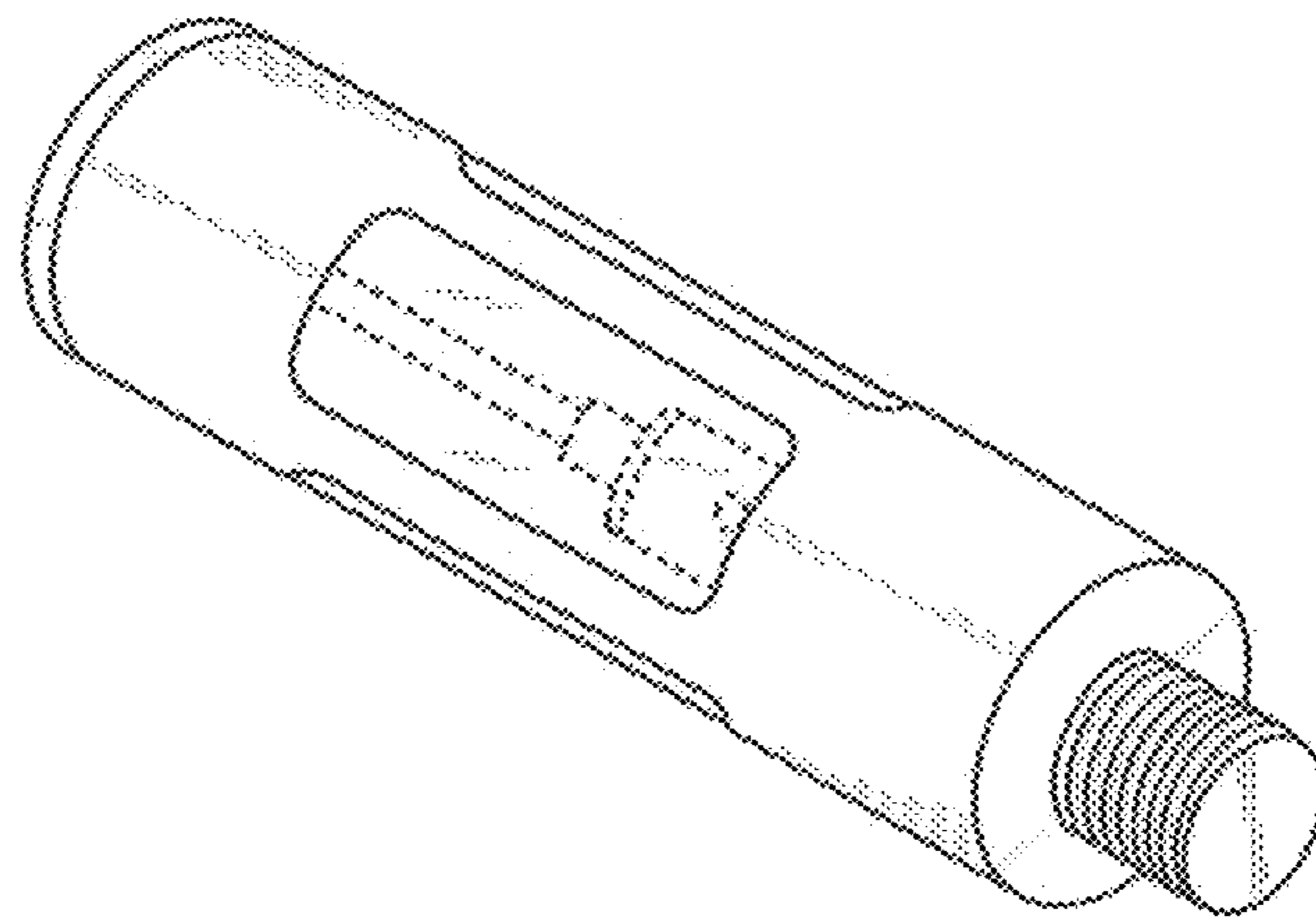


FIG. 1

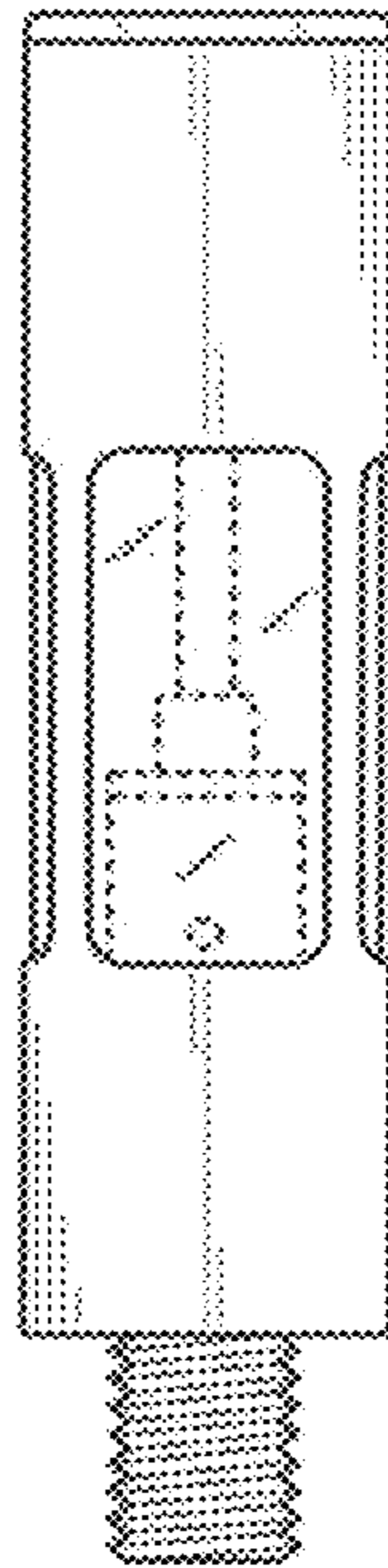


FIG. 2

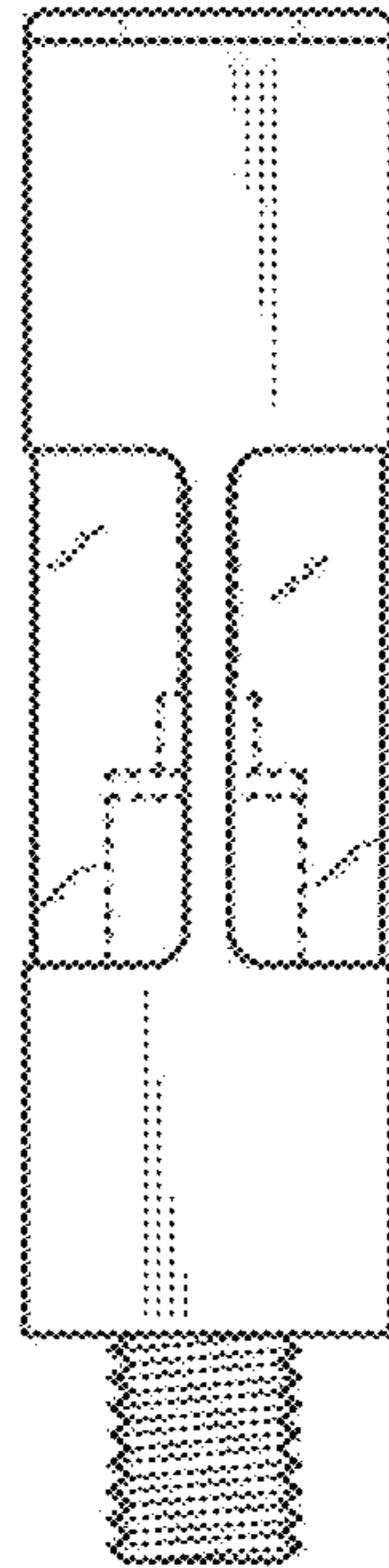


FIG. 3

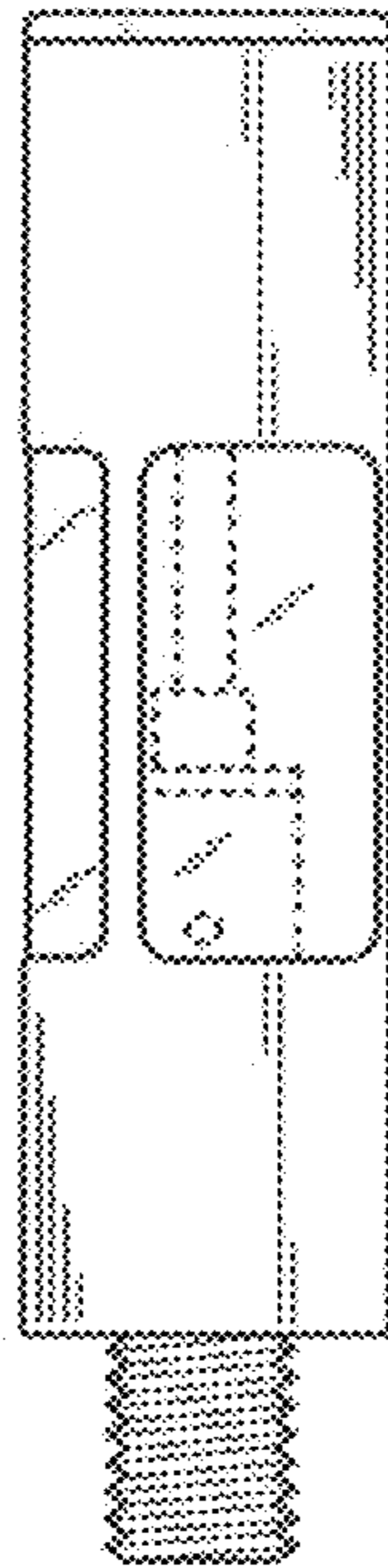


FIG. 4

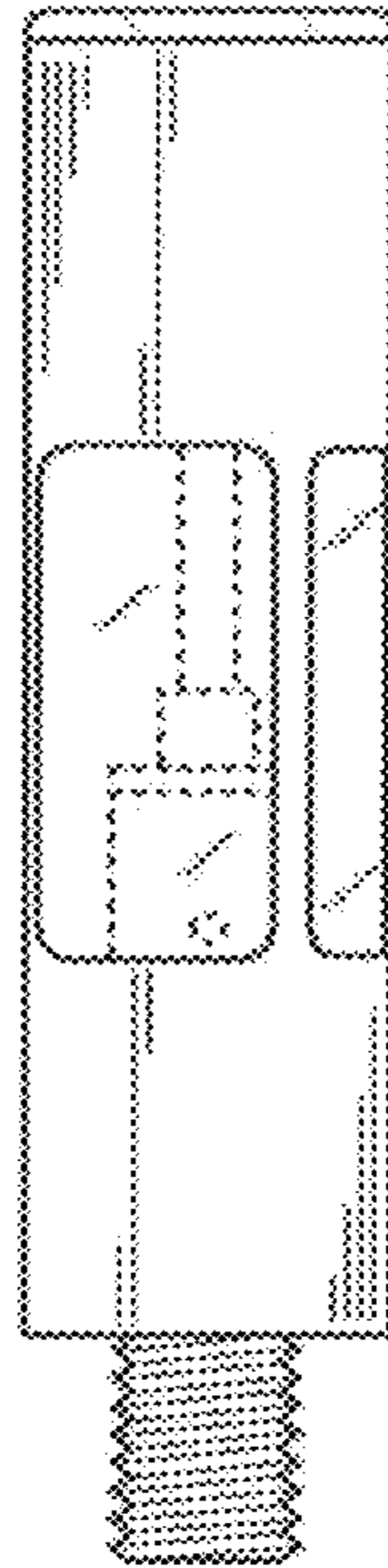


FIG. 5

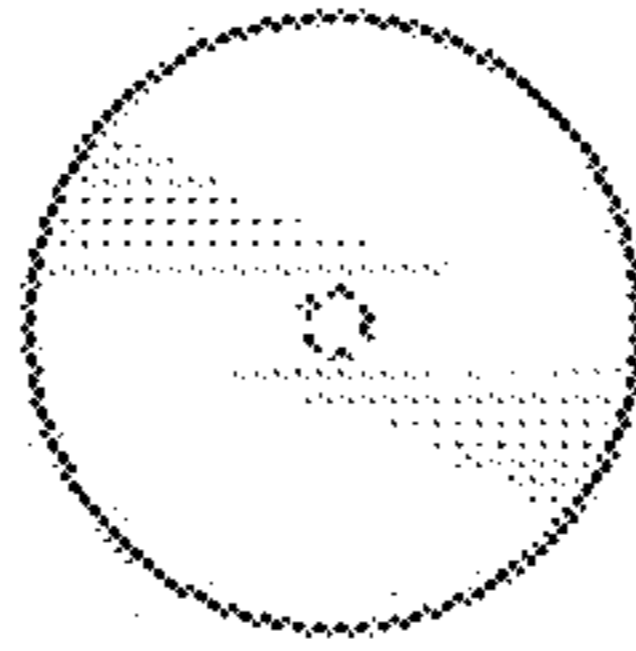


FIG. 6

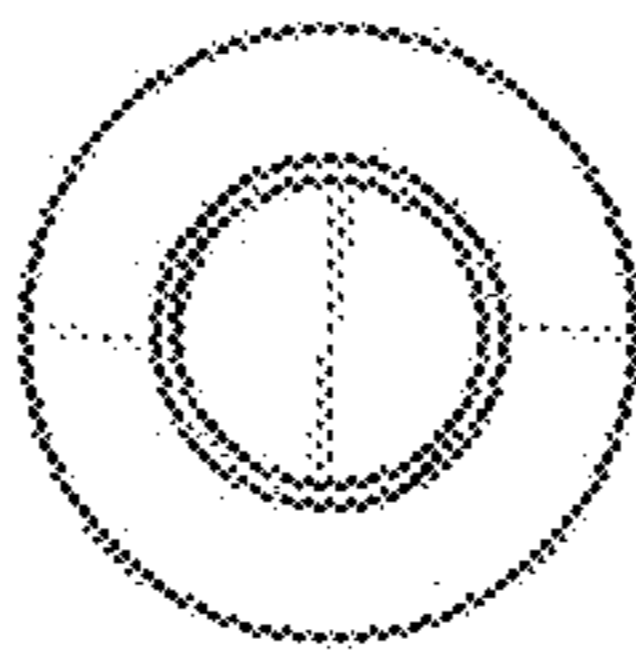


FIG. 7

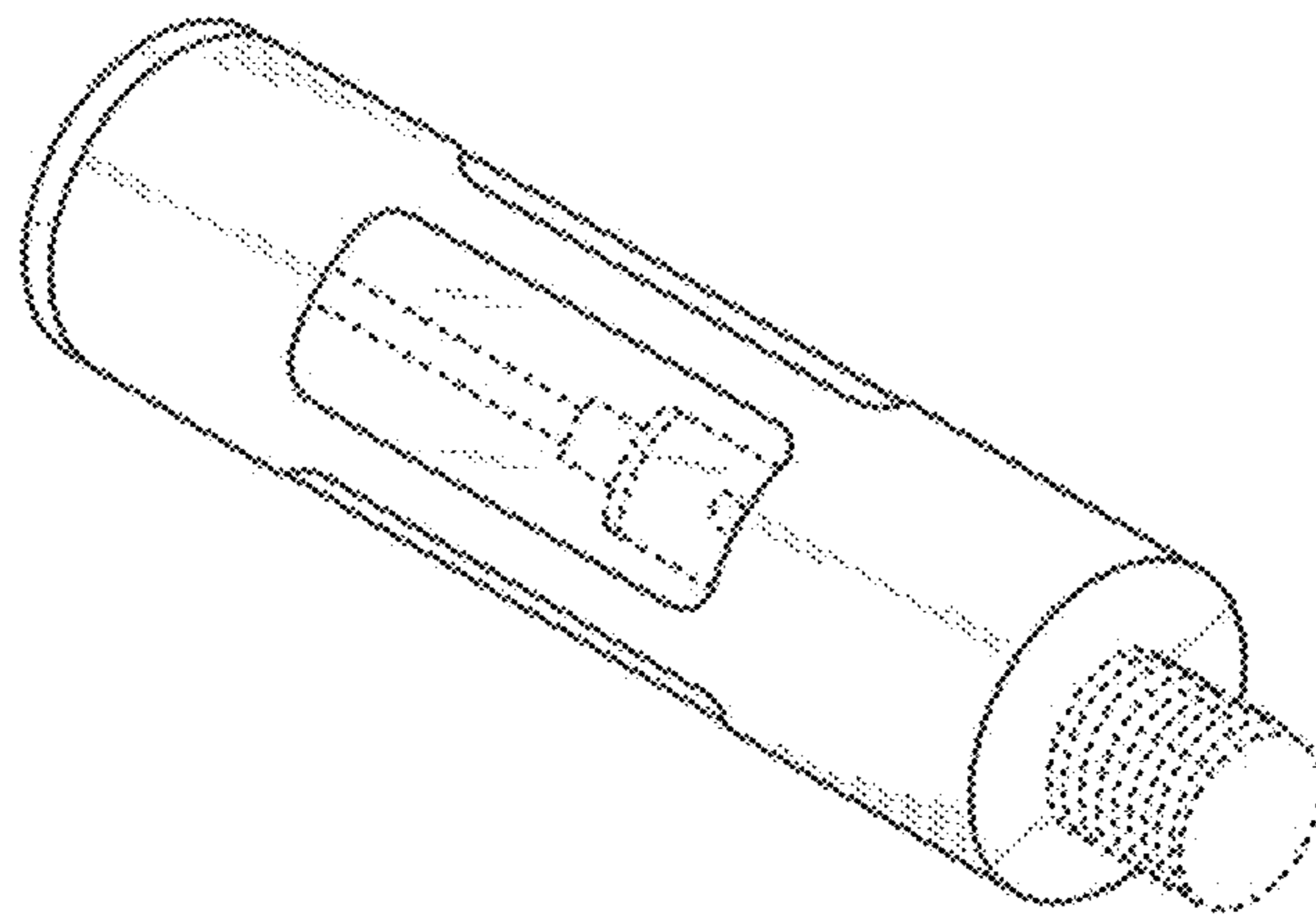


FIG. 8

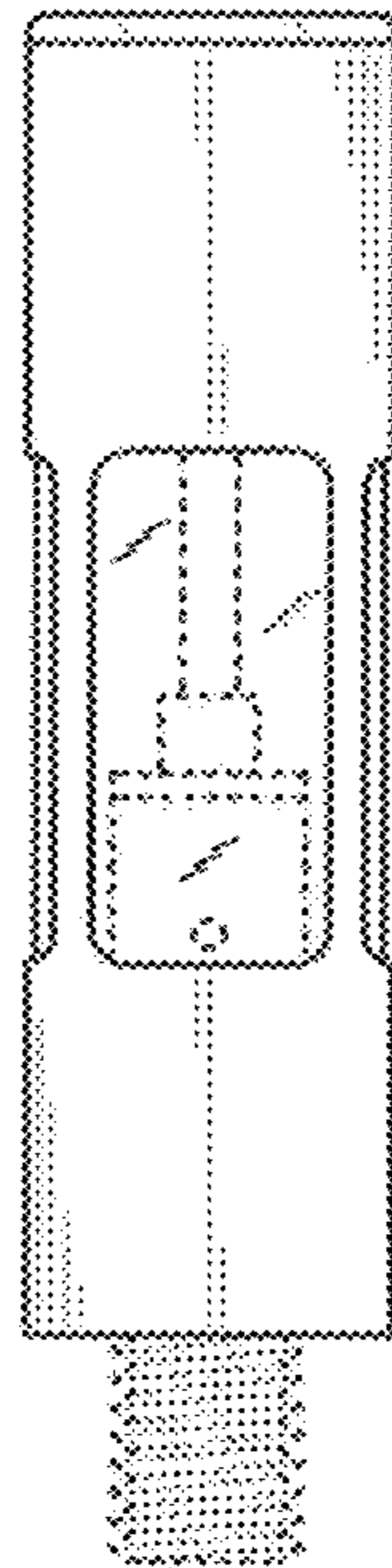


FIG. 9

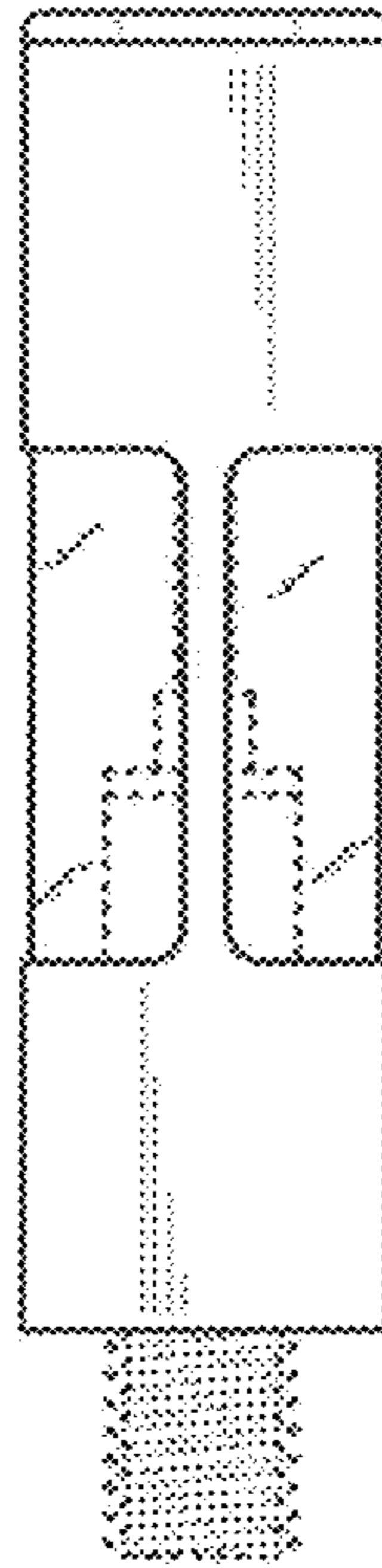


FIG. 10

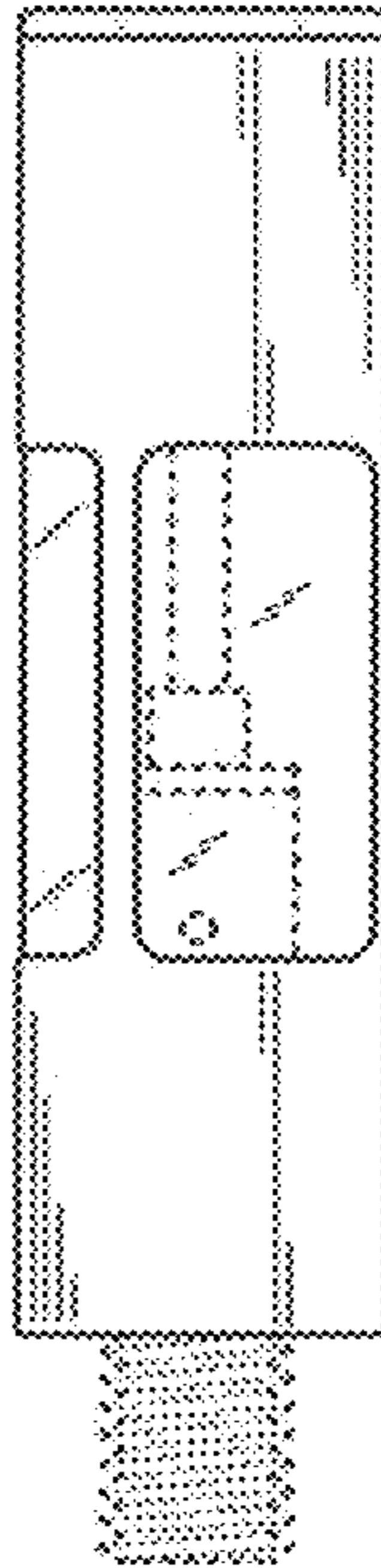


FIG. 11

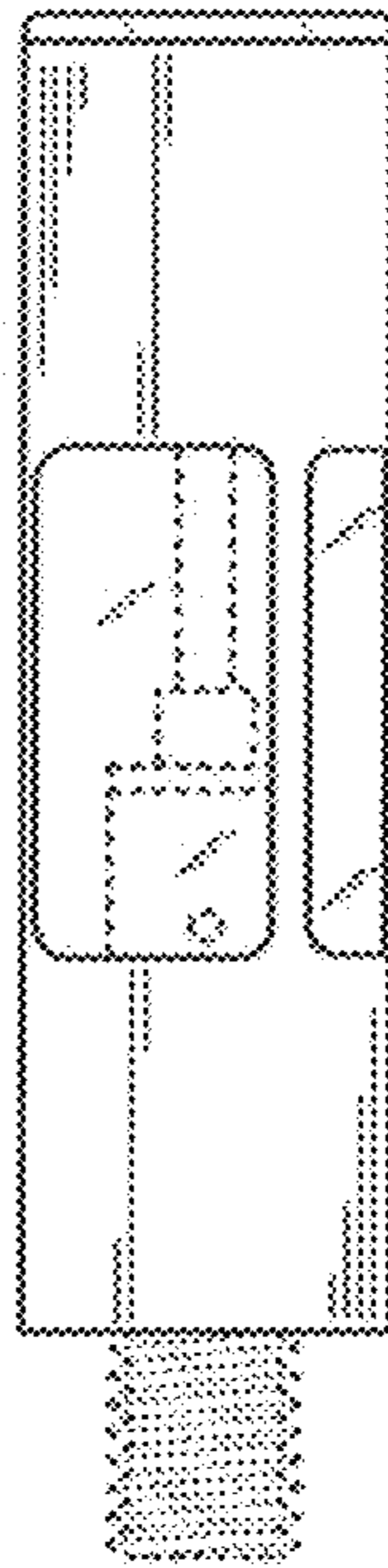


FIG. 12

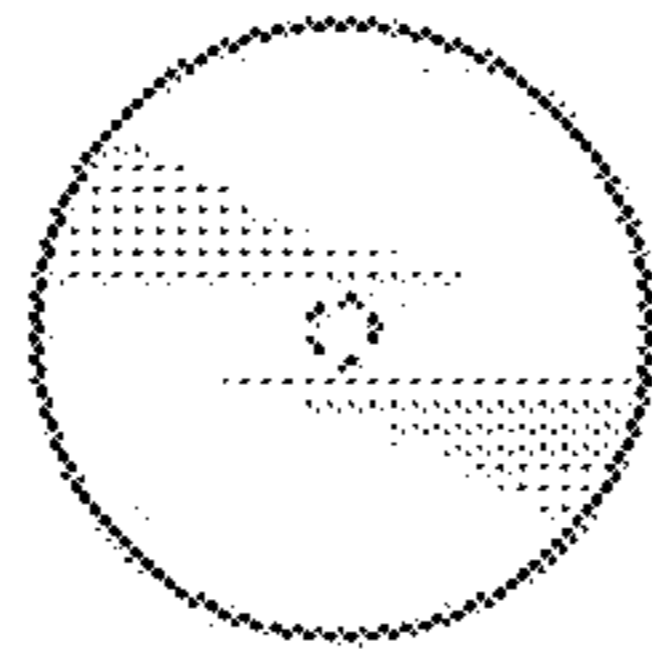


FIG. 13

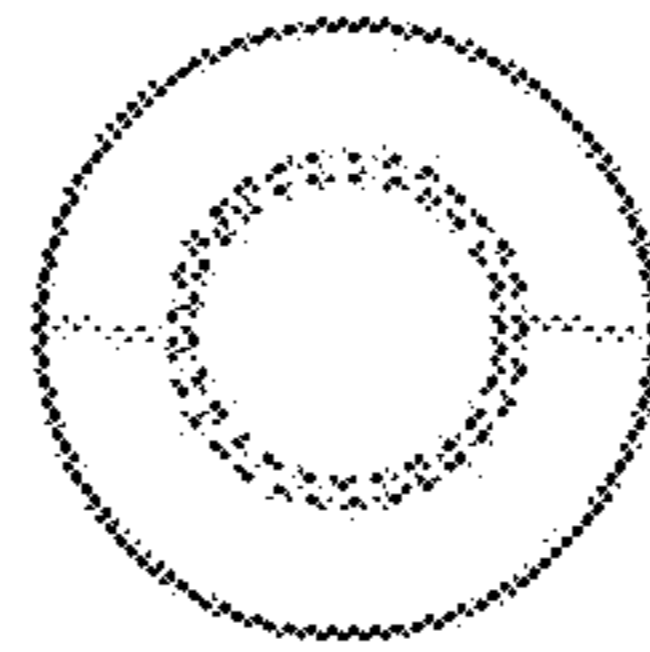


FIG. 14

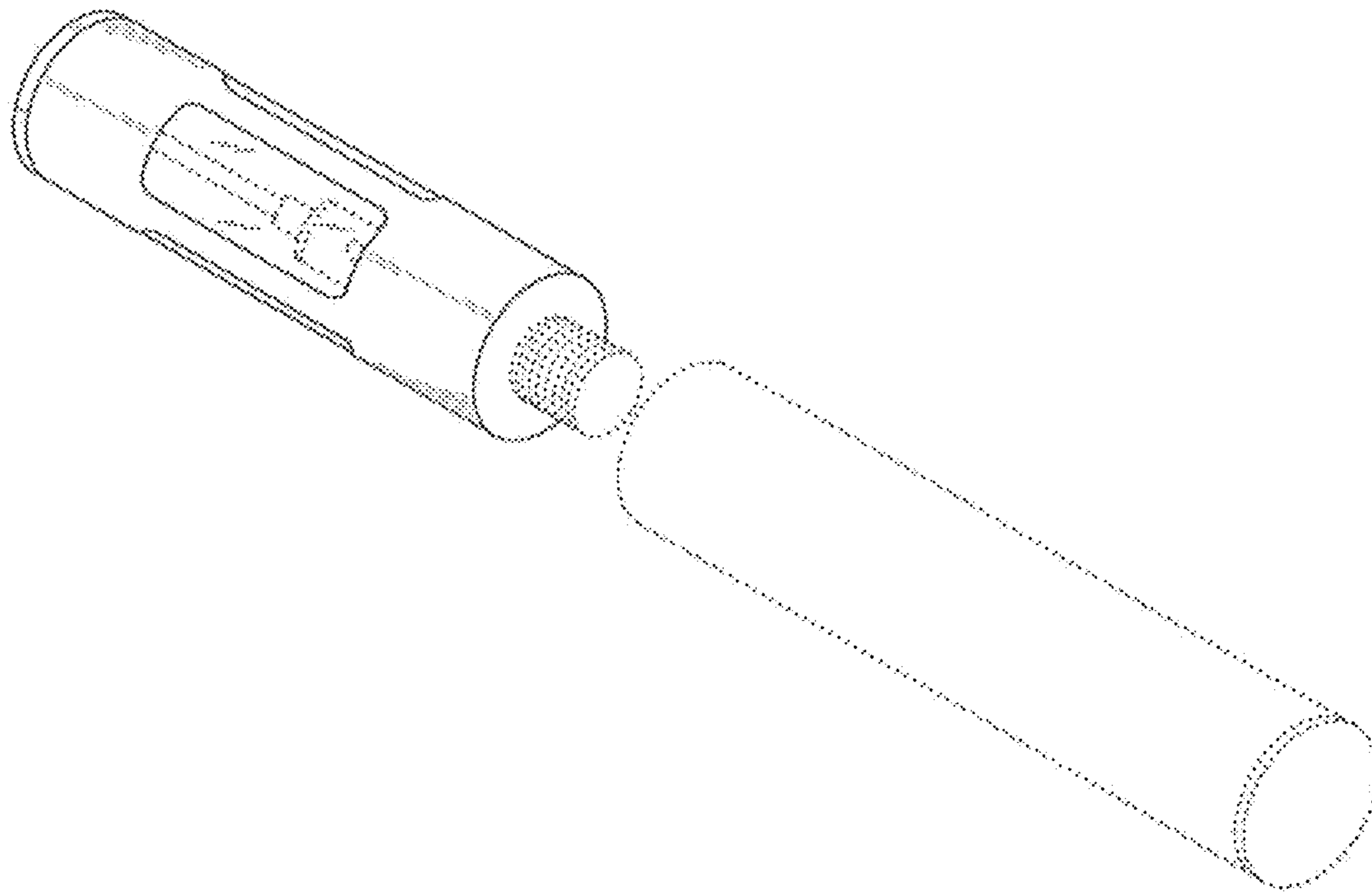


FIG. 15