



US00D895890S

(12) **United States Design Patent**
Klase et al.

(10) **Patent No.:** **US D895,890 S**

(45) **Date of Patent:** **** Sep. 8, 2020**

(54) **ADJUSTABLE LAMP**

14/02; F21V 21/34; F21V 21/08; F21V 21/0808; F21V 21/096; F21V 21/0965

(71) Applicants: **Nicholas Klase**, Driftwood, TX (US);
Randall Johnson, Austin, TX (US)

See application file for complete search history.

(72) Inventors: **Nicholas Klase**, Driftwood, TX (US);
Randall Johnson, Austin, TX (US)

(56) **References Cited**

U.S. PATENT DOCUMENTS

(73) Assignee: **Fluence Bioengineering, Inc.**, Austin, TX (US)

D799,734 S 10/2017 Zolotykh et al.
D849,991 S * 5/2019 Piedra D26/118

(**) Term: **15 Years**

* cited by examiner

(21) Appl. No.: **29/703,416**

Primary Examiner — Brian N. Vinson

(22) Filed: **Aug. 27, 2019**

(74) *Attorney, Agent, or Firm* — Edward S. Podszus

Related U.S. Application Data

(57) **CLAIM**

(60) Division of application No. 29/665,620, filed on Oct. 5, 2018, now Pat. No. Des. 863,656, which is a continuation of application No. 16/043,410, filed on Jul. 24, 2018, now abandoned, which is a continuation of application No. 15/368,878, filed on Dec. 5, 2016, now abandoned, which is a continuation of application No. 14/788,837, filed on Jul. 1, 2015, now Pat. No. 9,541,261.

The ornamental design for an adjustable lamp, as shown and described.

DESCRIPTION

(51) **LOC (12) Cl.** **26-03**

(52) **U.S. Cl.**
USPC **D26/113**

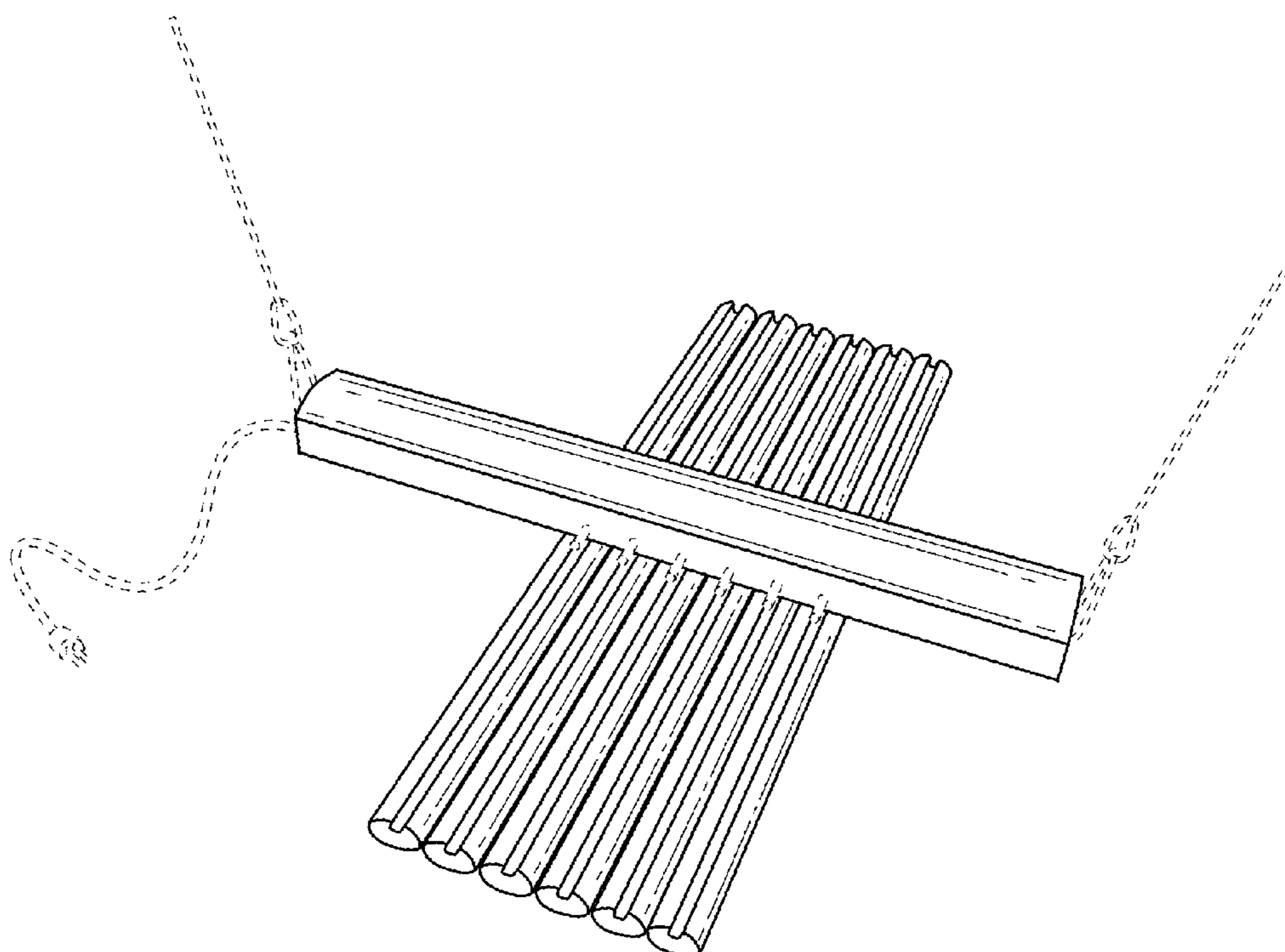
(58) **Field of Classification Search**
USPC D26/72, 76, 80, 81, 84, 86, 88, 90, 113,
D26/121, 138, 141

CPC F21S 8/03; F21S 8/033; F21S 8/04; F21S 8/06; F21S 8/061; F21S 8/063; F21S 4/28; F21S 8/006; F21W 2131/301; F21V

FIG. 1 is a perspective view of the new design for an adjustable lamp as seen from the top, front; FIG. 2 is a front elevational view thereof; FIG. 3 is a rear elevational view thereof; FIG. 4 is a right side elevational view thereof; FIG. 5 is a left side elevational view thereof; FIG. 6 is a top plan view thereof; and, FIG. 7 is a bottom view thereof.

The broken line disclosure is for environmental purposes only and does not form a part of the claimed design.

1 Claim, 7 Drawing Sheets



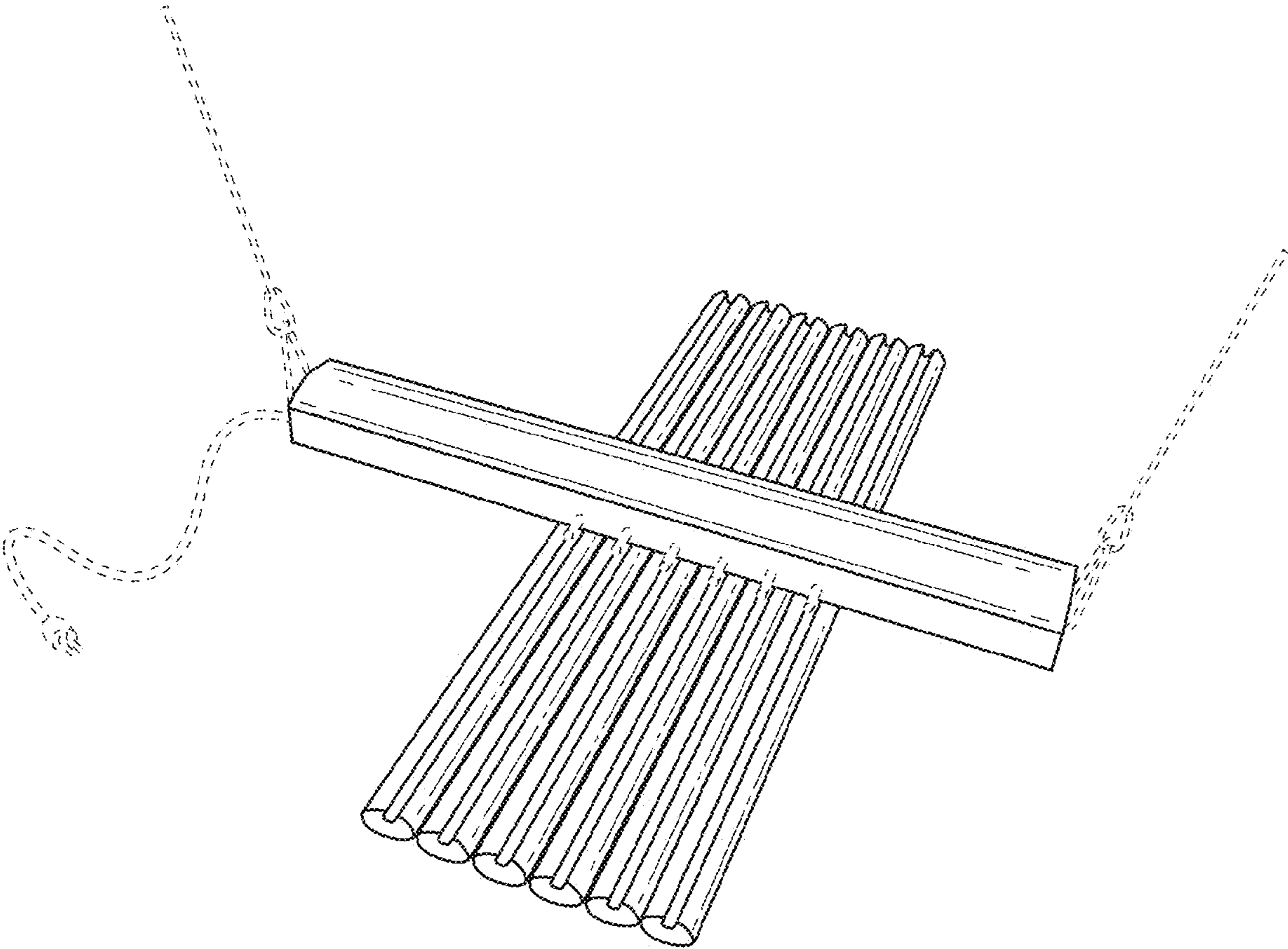


FIG. 1

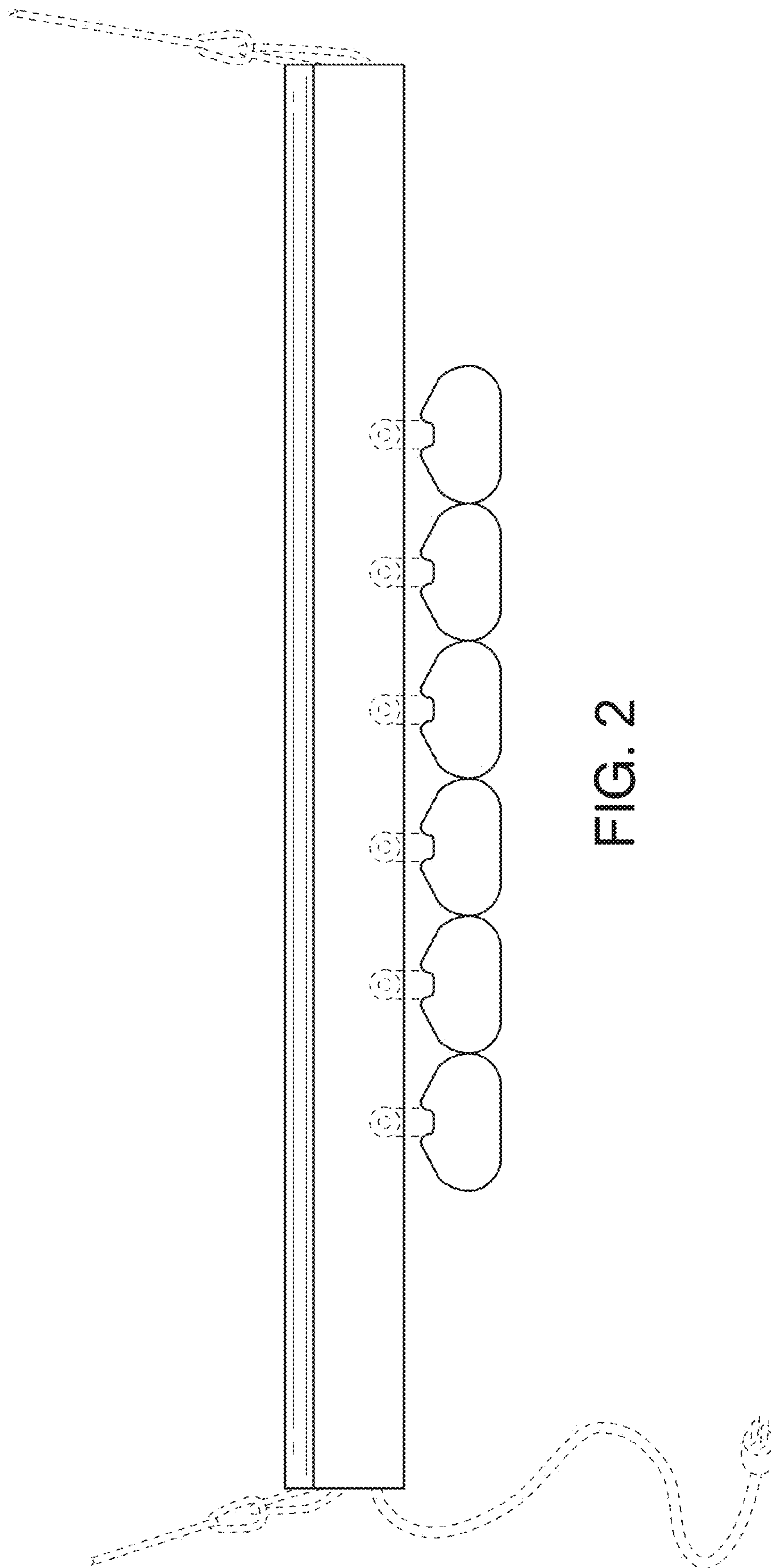


FIG. 2

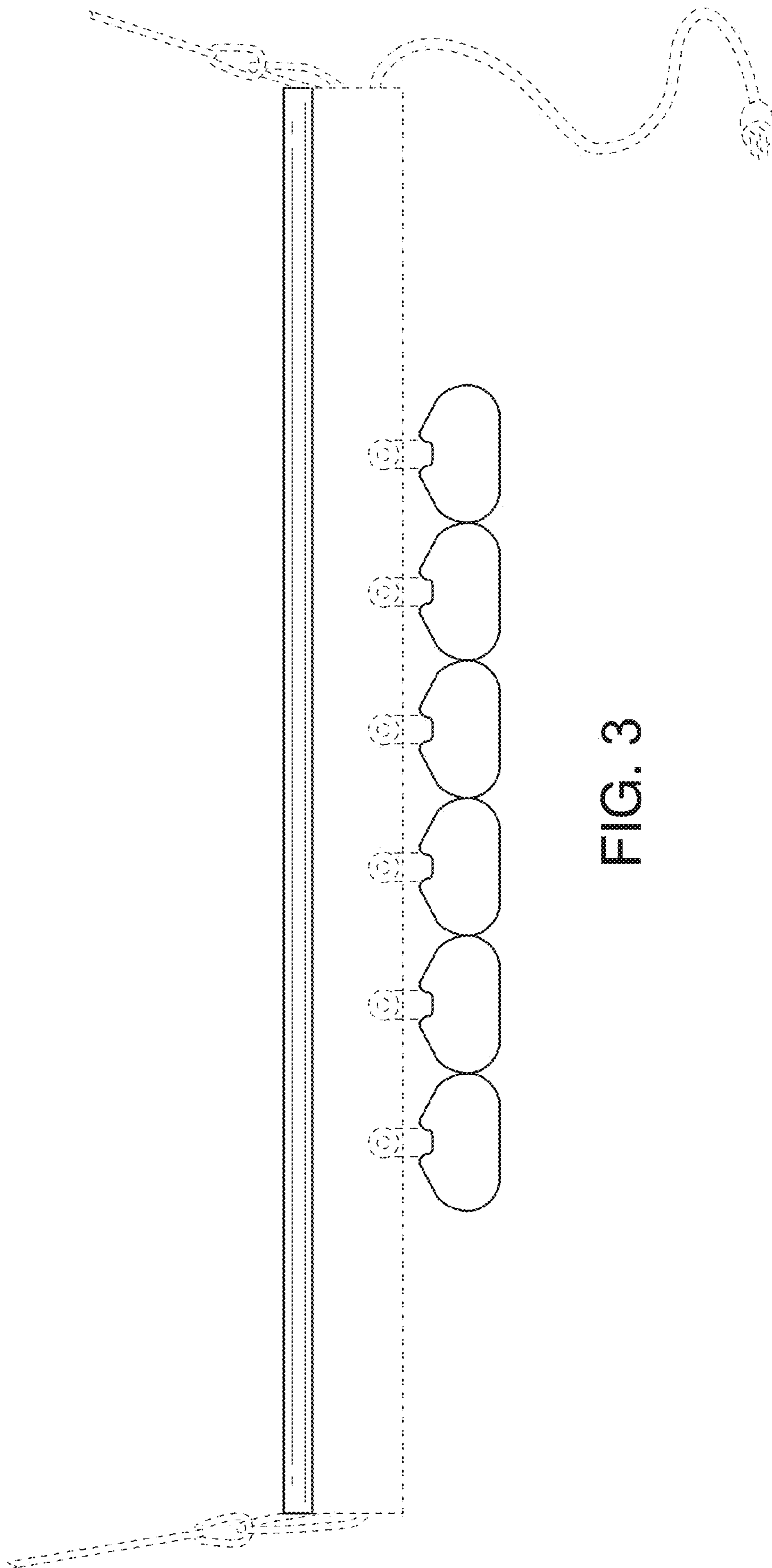


FIG. 3

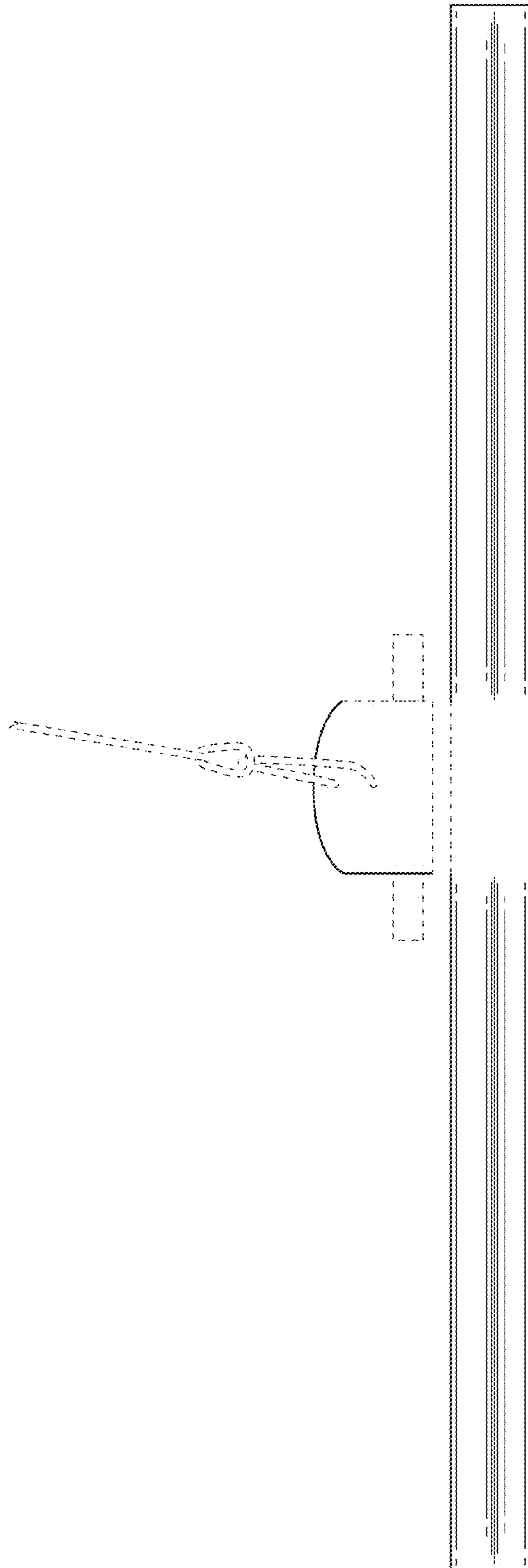


FIG. 4

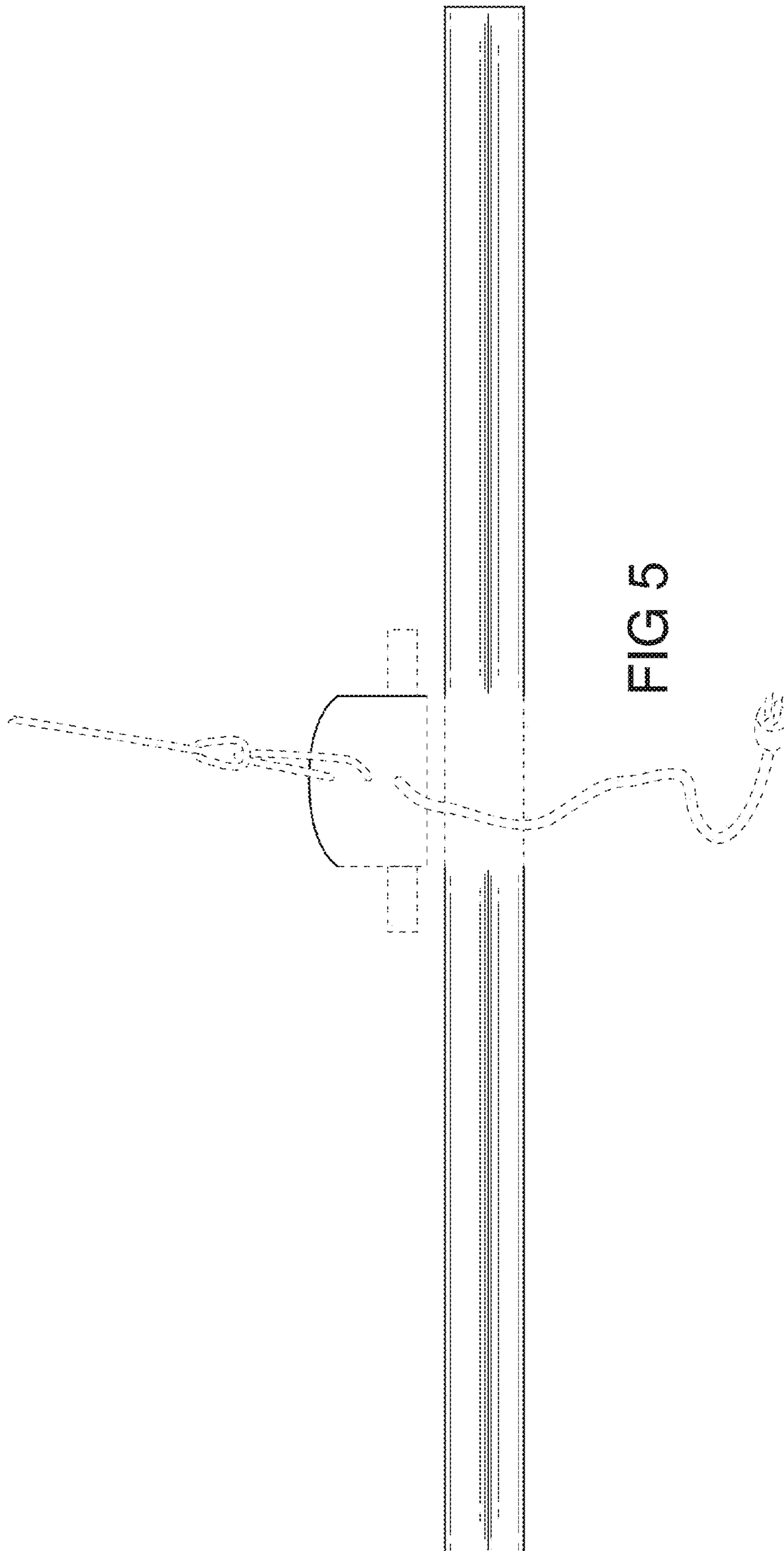


FIG 5

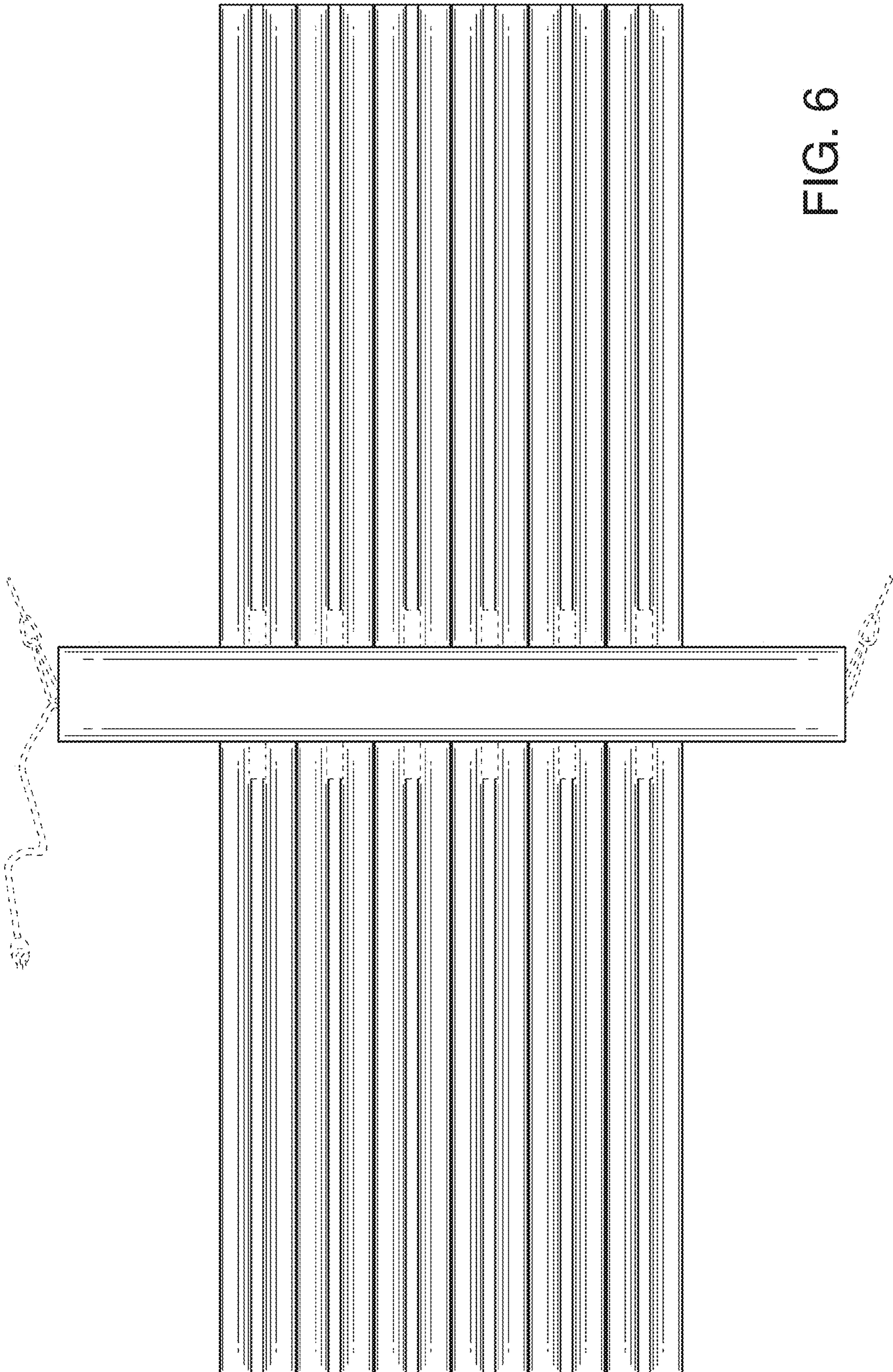


FIG. 6

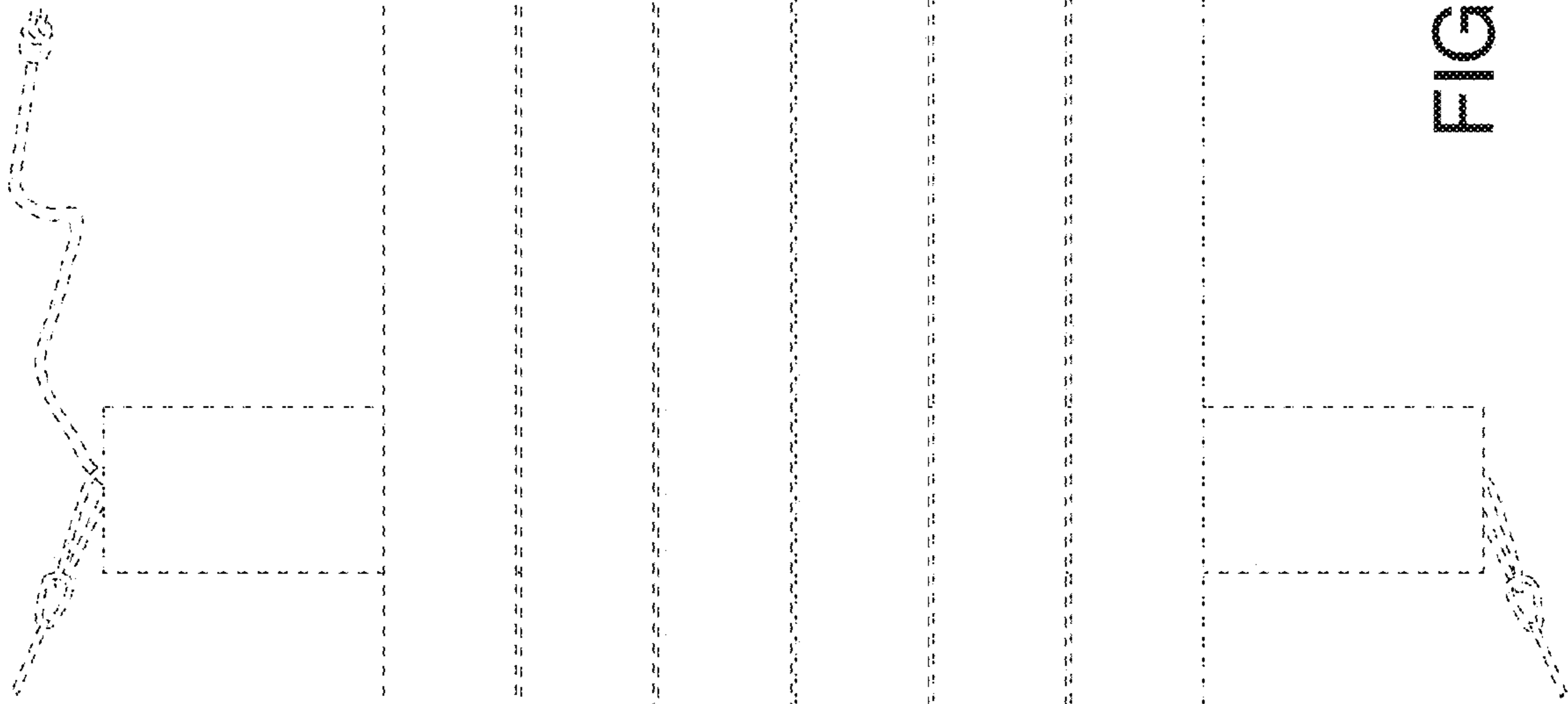


FIG. 7