



US00D895885S

(12) **United States Design Patent** (10) **Patent No.:** **US D895,885 S**
Hong et al. (45) **Date of Patent:** **** Sep. 8, 2020**

(54) **PANEL LIGHT**

(71) Applicant: **Shen Zhen Homi Lighting Co., Ltd.**,
Shenzhen (CN)

(72) Inventors: **Li Hong**, Shenzhen (CN); **Xie Peizhu**,
Shenzhen (CN)

(73) Assignee: **SHEN ZHEN HOMI LIGHTING**
CO., LTD, Shenzhen (CN)

(**) Term: **15 Years**

(21) Appl. No.: **29/669,920**

(22) Filed: **Nov. 13, 2018**

(30) **Foreign Application Priority Data**

Sep. 10, 2018 (CN) 2018 3 0507585

(51) **LOC (12) Cl.** **26-03**

(52) **U.S. Cl.**
USPC **D26/89**

(58) **Field of Classification Search**
USPC D26/2, 26, 72, 80, 84, 85, 89
CPC F21S 8/03; F21S 8/04; F21S 8/043; F21S
8/086
See application file for complete search history.

(56) **References Cited**

U.S. PATENT DOCUMENTS

D641,098	S	*	7/2011	Wildner	D26/85
D667,162	S	*	9/2012	Choi	D26/89
D748,316	S	*	1/2016	Sakurai	D26/89
D748,842	S	*	2/2016	Sakurai	D26/89
D751,236	S	*	3/2016	Renshaw	D26/89
D770,077	S	*	10/2016	Lai	D26/89
D784,593	S	*	4/2017	Ambrozus	D26/74
D808,565	S	*	1/2018	Ambrozus	D26/74
D824,575	S	*	7/2018	Boulanger	D26/89

D834,235	S	*	11/2018	Gambrel	D26/89
D841,869	S	*	2/2019	Mou	D26/89
2016/0366738	A1	*	12/2016	Boulanger	F21V 17/14
2018/0252858	A1	*	9/2018	Lowes	G02B 6/0068
2019/0104592	A1	*	4/2019	Fukushima	F21V 21/02
2020/0080709	A1	*	3/2020	Boulanger	F21V 21/04

OTHER PUBLICATIONS

15mm Square Ultra Slim LED Flush Mount light fixture by HOMI Lighting posted at homiled.com Sep. 5, 2019. (Year: 2019).*
6W 4 inch Ultra-Thin Square LED Flush Mount Ceiling Light by Blinmey, available at amazon.com Dec. 25, 2018. (Year: 2018).*
Feit Electric 74208/Ca Dimmable Integrated LED Square Flat Panel, Edge-Lit, Color Selectable 3 in 1 Ceiling Flush Mount Light available at amazon.com Oct. 8, 2018. (Year: 2018).*

* cited by examiner

Primary Examiner — Clare E Heffin

(74) *Attorney, Agent, or Firm* — Robert L. Stearns;
Dickinson Wright PLLC

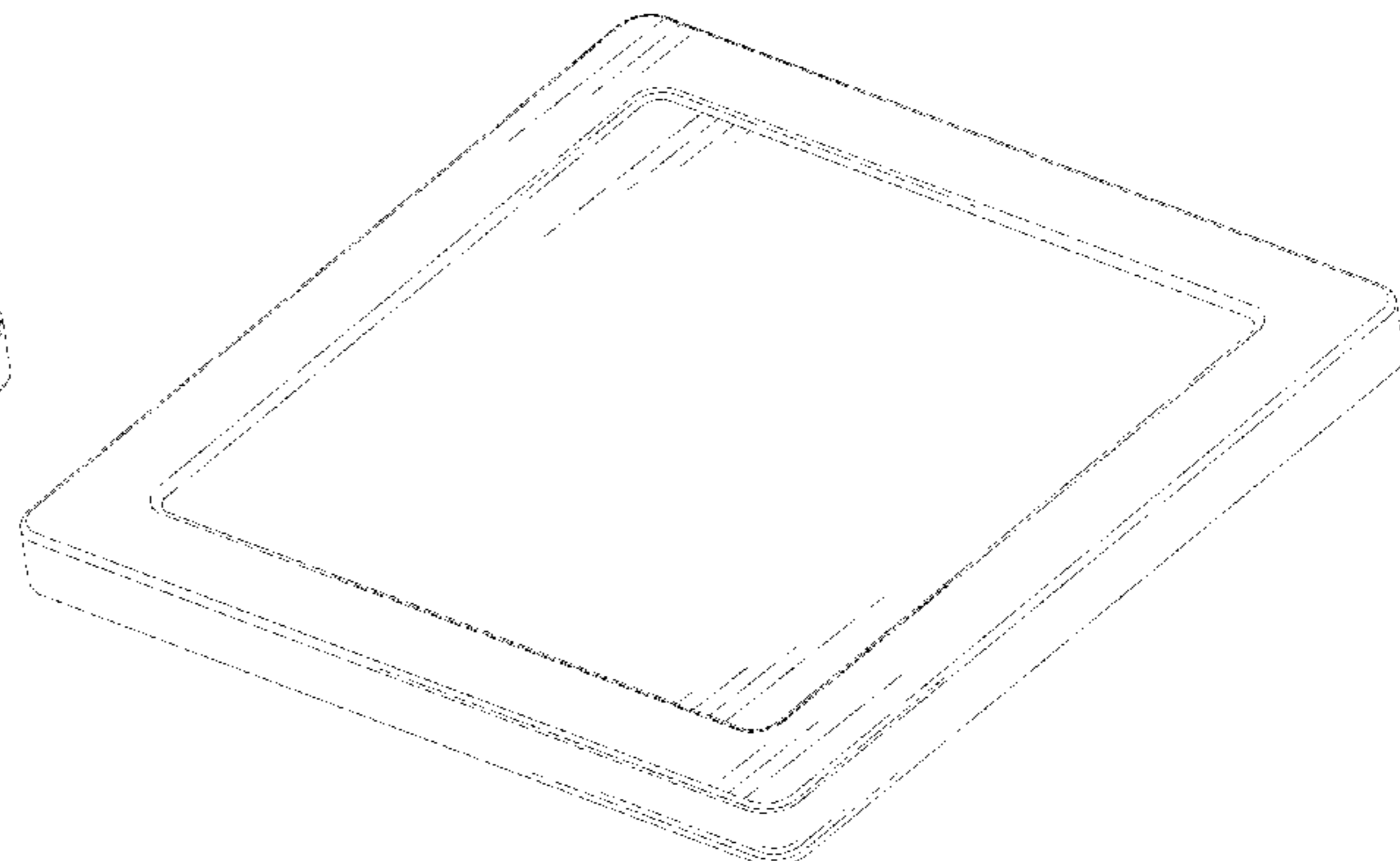
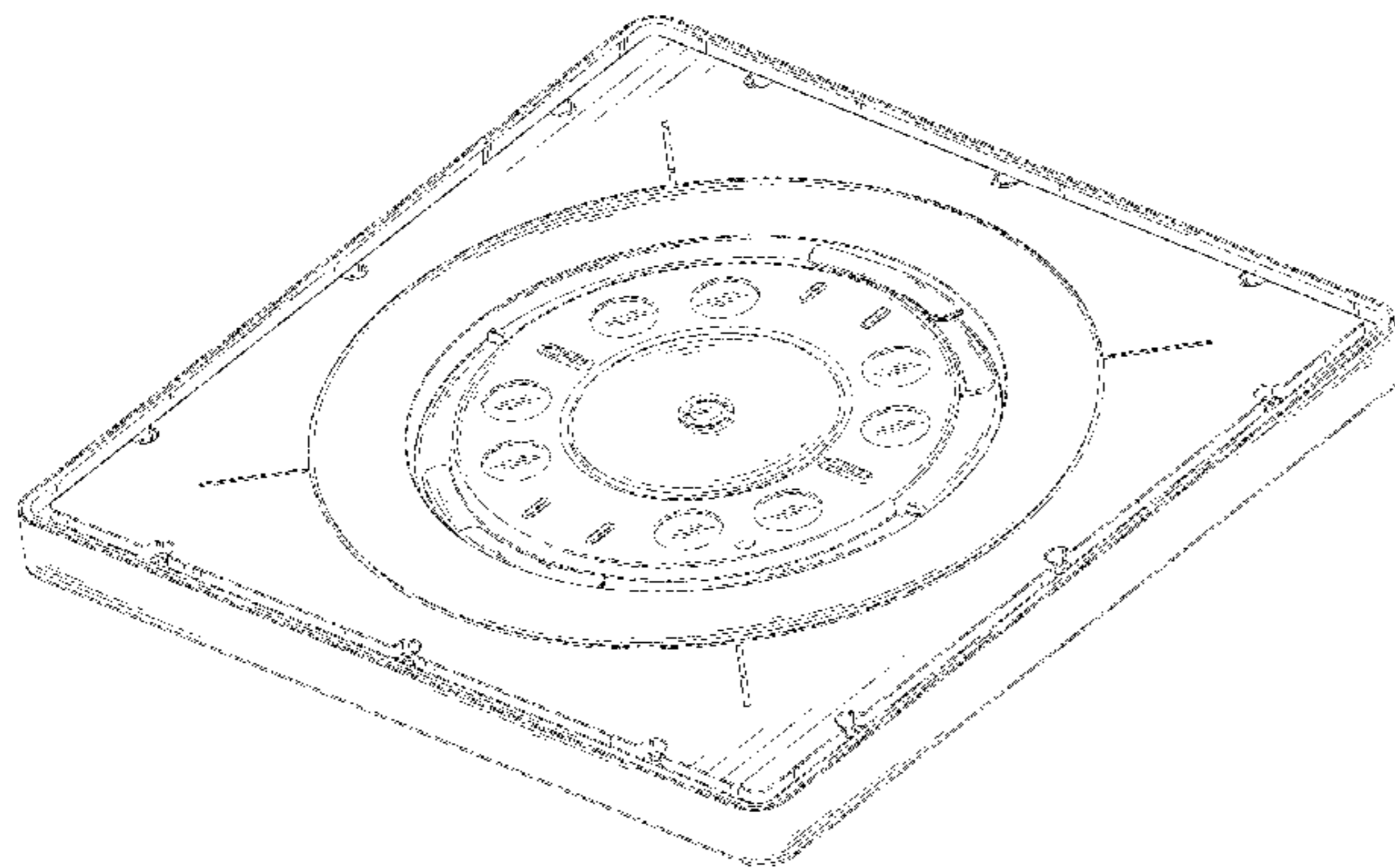
(57) **CLAIM**

The ornamental designs for a “panel light,” as shown and described.

DESCRIPTION

FIG. 1 is a first perspective view of a panel light;
FIG. 2 is a second perspective view thereof;
FIG. 3 is a front view thereof;
FIG. 4 is a rear view thereof;
FIG. 5 is a left side view thereof;
FIG. 6 is a right side view thereof;
FIG. 7 is a top view thereof; and,
FIG. 8 is a bottom view thereof.
The ornamental design which is claimed is shown in solid lines in the drawings. The broken lines in the figures depict portions of the panel light that form no part of the claimed design.

1 Claim, 8 Drawing Sheets



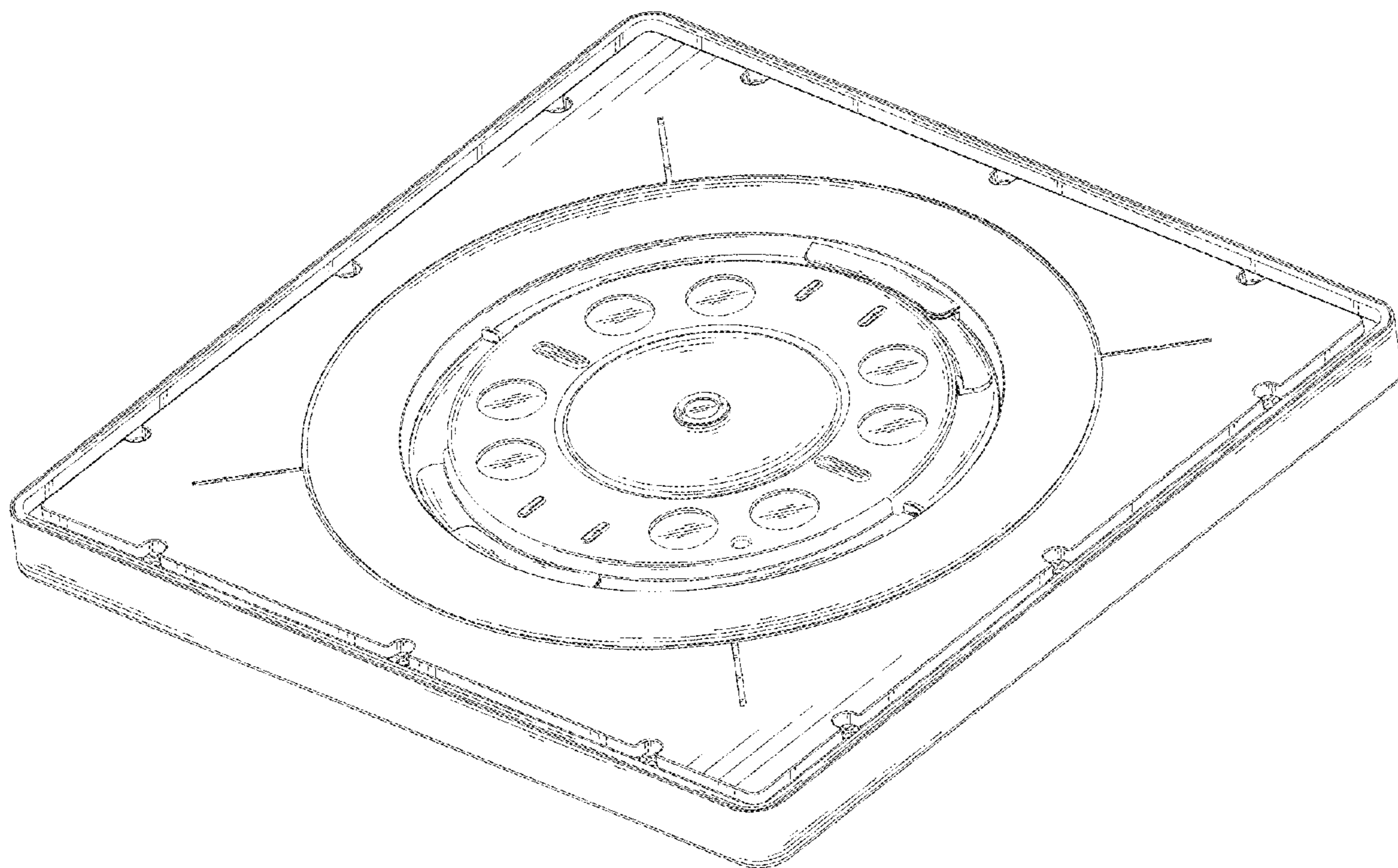


FIG. 1

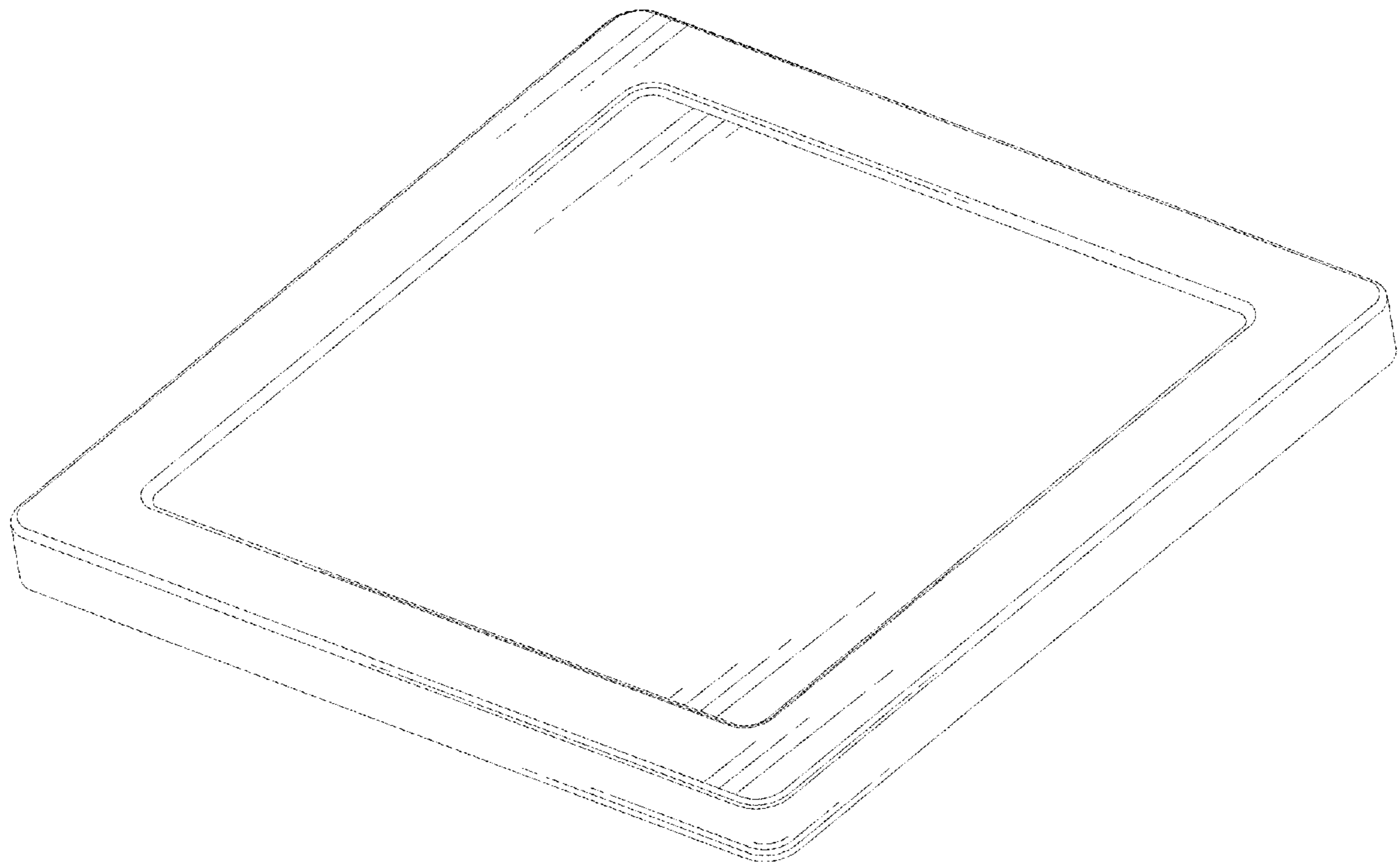


FIG. 2

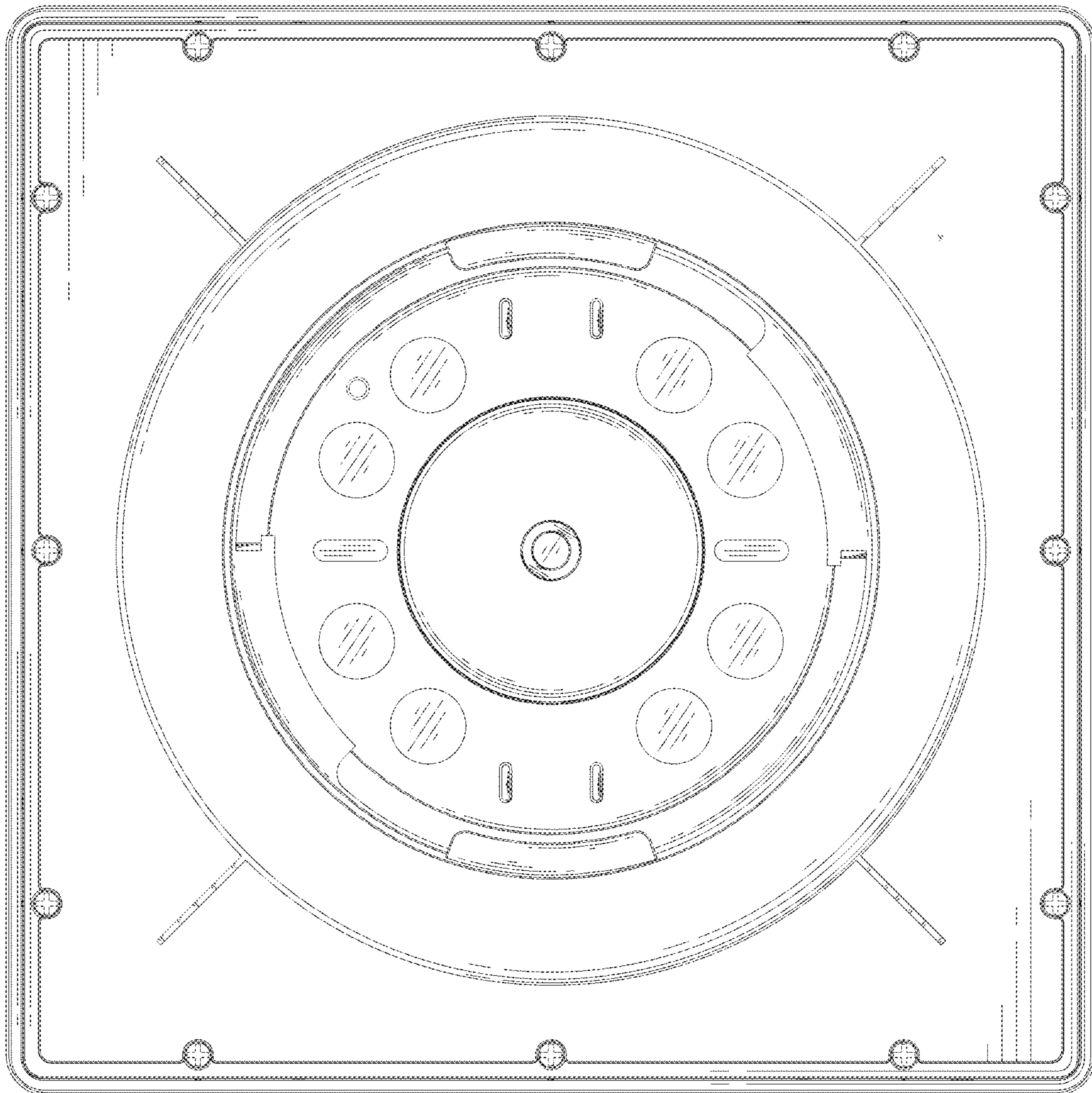


FIG. 3

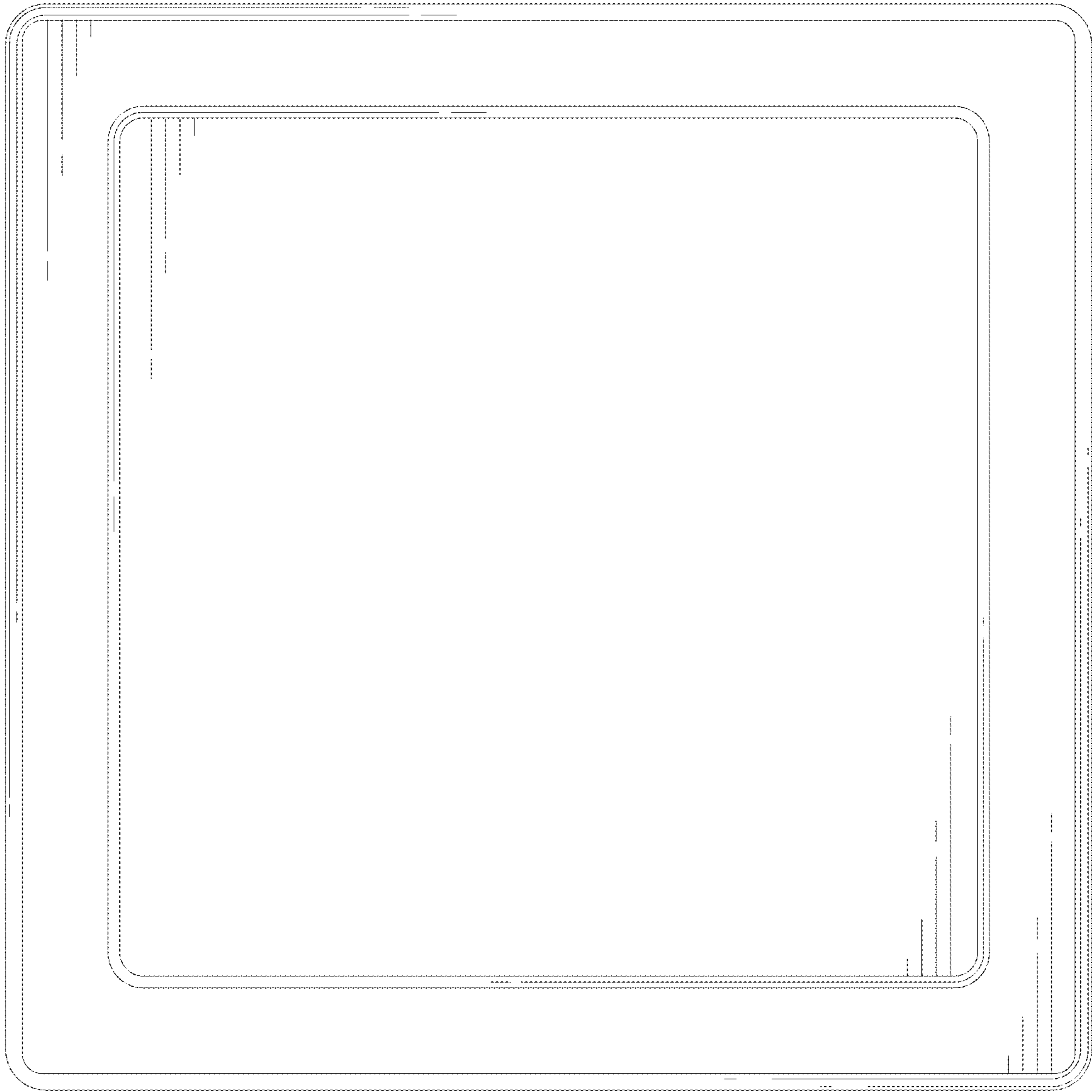


FIG. 4



FIG. 5



FIG. 6



FIG. 7



FIG. 8