



US00D895884S

(12) **United States Design Patent**
Marshall

(10) **Patent No.: US D895,884 S**

(45) **Date of Patent: ** Sep. 8, 2020**

(54) **LIGHT FIXTURE**

(71) Applicant: **Troy-CSL Lighting, Inc.**, City of Industry, CA (US)

(72) Inventor: **Benjamin Marshall**, Monrovia, CA (US)

(73) Assignee: **Troy-CSL Lighting, Inc.**, City of Industry, CA (US)

(**) Term: **15 Years**

(21) Appl. No.: **29/633,439**

(22) Filed: **Jan. 13, 2018**

(51) **LOC (12) Cl.** **26-05**

(52) **U.S. Cl.**
USPC **D26/87**

(58) **Field of Classification Search**
USPC ... D26/9, 11, 40, 67, 72, 80, 81, 84, 85, 86,
D26/87, 88, 90, 104, 118, 128, 143, 144,
D26/145

(Continued)

(56) **References Cited**

U.S. PATENT DOCUMENTS

D465,298 S * 11/2002 Gottwald D26/85
D655,440 S * 3/2012 Sabernig D26/137

(Continued)

FOREIGN PATENT DOCUMENTS

EM 003528090-0005 * 1/2017

OTHER PUBLICATIONS

Troy Lighting Interior Winter 2018 Catalog <http://www.mobendh.com/assets/troy-lihting-interior-2018.pdf> Jul. 9, 2018 (Year: 2018).*

(Continued)

Primary Examiner — Leanne Was-Englehart

(74) *Attorney, Agent, or Firm* — Foley & Lardner LLP

(57) **CLAIM**

I claim the ornamental design for a light fixture, as shown and described.

DESCRIPTION

FIG. 1 is a front-right, top perspective view of a light fixture, according to a first embodiment;

FIG. 2 is a front side view of a light fixture, according to the first embodiment;

FIG. 3 is a left side view of a light fixture, according to the first embodiment;

FIG. 4 is a right side view of a light fixture, according to the first embodiment;

FIG. 5 is a top view of a light fixture, according to the first embodiment;

FIG. 6 is a bottom view of a light fixture, according to the first embodiment;

FIG. 7 is a front-right, top perspective view of a light fixture, according to a second embodiment;

FIG. 8 is a front side view of a light fixture, according to the second embodiment;

FIG. 9 is a left side view of a light fixture, according to the second embodiment;

FIG. 10 is a right side view of a light fixture, according to the second embodiment;

FIG. 11 is a top view of a light fixture, according to the second embodiment;

FIG. 12 is a bottom view of a light fixture, according to the second embodiment;

FIG. 13 is a front, bottom perspective view of a light fixture, according to a third embodiment;

FIG. 14 is a front side view of a light fixture, according to the third embodiment;

FIG. 15 is a left side view of a light fixture, according to the third embodiment;

FIG. 16 is a right side view of a light fixture, according to the third embodiment;

FIG. 17 is a top view of a light fixture, according to the third embodiment;

FIG. 18 is a bottom view of a light fixture, according to the third embodiment;

(Continued)

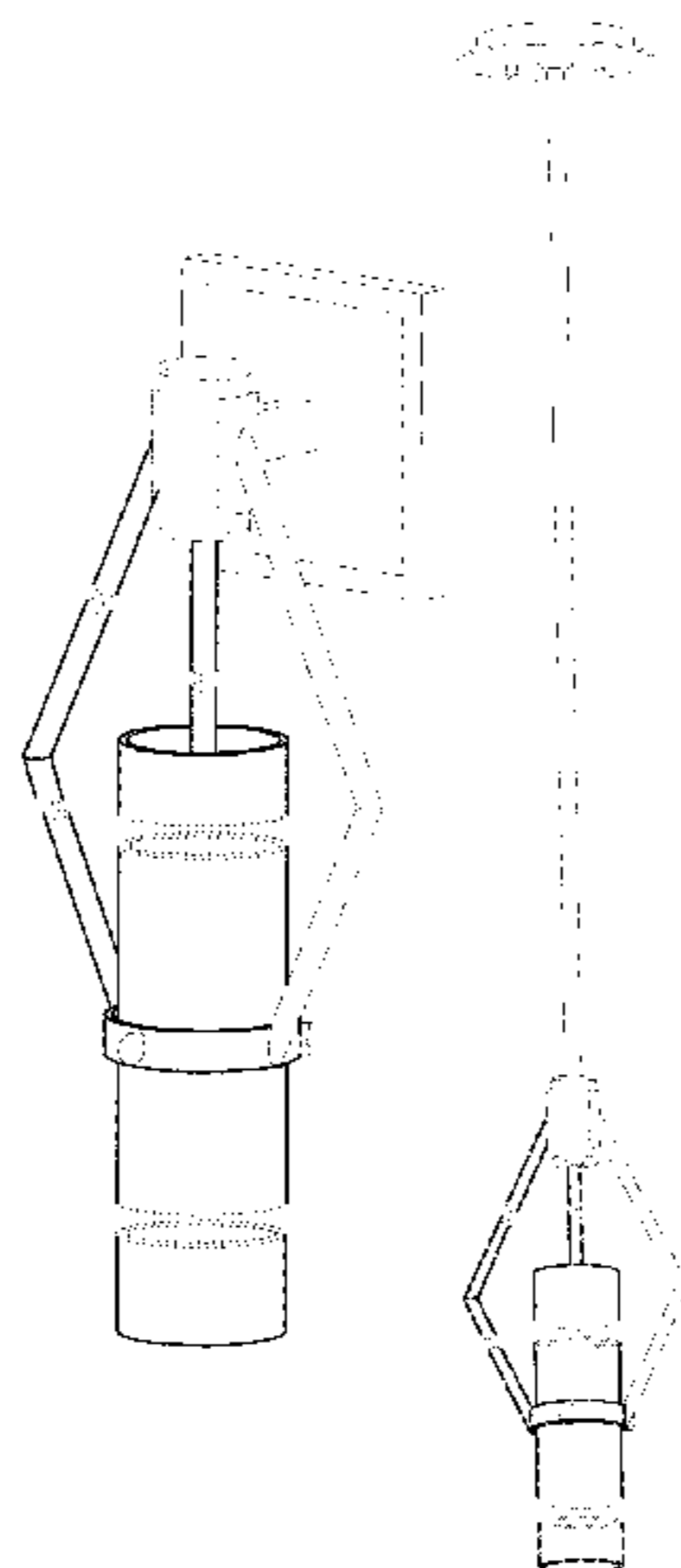


FIG. 19 is a front, bottom perspective view of a light fixture, according to a fourth embodiment;

FIG. 20 is a front side view of a light fixture, according to the fourth embodiment;

FIG. 21 is a left side view of a light fixture, according to the fourth embodiment;

FIG. 22 is a right side view of a light fixture, according to the fourth embodiment;

FIG. 23 is a top view of a light fixture, according to the fourth embodiment; and,

FIG. 24 is a bottom view of a light fixture, according to the fourth embodiment.

The dashed lines depict portions of the light fixture that form no part of the claimed design. The light fixture is shown with a symbolic break that represents the bounds of the Claim. The appearance of any portion of the article between the break lines forms no part of the claimed design.

1 Claim, 10 Drawing Sheets

(58) **Field of Classification Search**
CPC F21S 8/04; F21S 8/043; F21S 8/046; F21S 8/06; F21S 8/063; F21S 8/065
See application file for complete search history.

(56) **References Cited**

U.S. PATENT DOCUMENTS

D659,281	S	*	5/2012	Patkus	D26/137
D680,674	S	*	4/2013	Jepson	D26/87
D683,494	S	*	5/2013	Verdin	D26/137
D697,661	S	*	1/2014	Sabernig	D26/80
D786,494	S	*	5/2017	Dolan	D26/143
D786,495	S	*	5/2017	Dolan	D26/143
D786,496	S	*	5/2017	Dolan	D26/128

OTHER PUBLICATIONS

Chinese Office Action dated Nov. 30, 2018, from application No. 201830376536.2.

Canadian Examiner's Report dated Oct. 10, 2019, from application No. 182513.

* cited by examiner

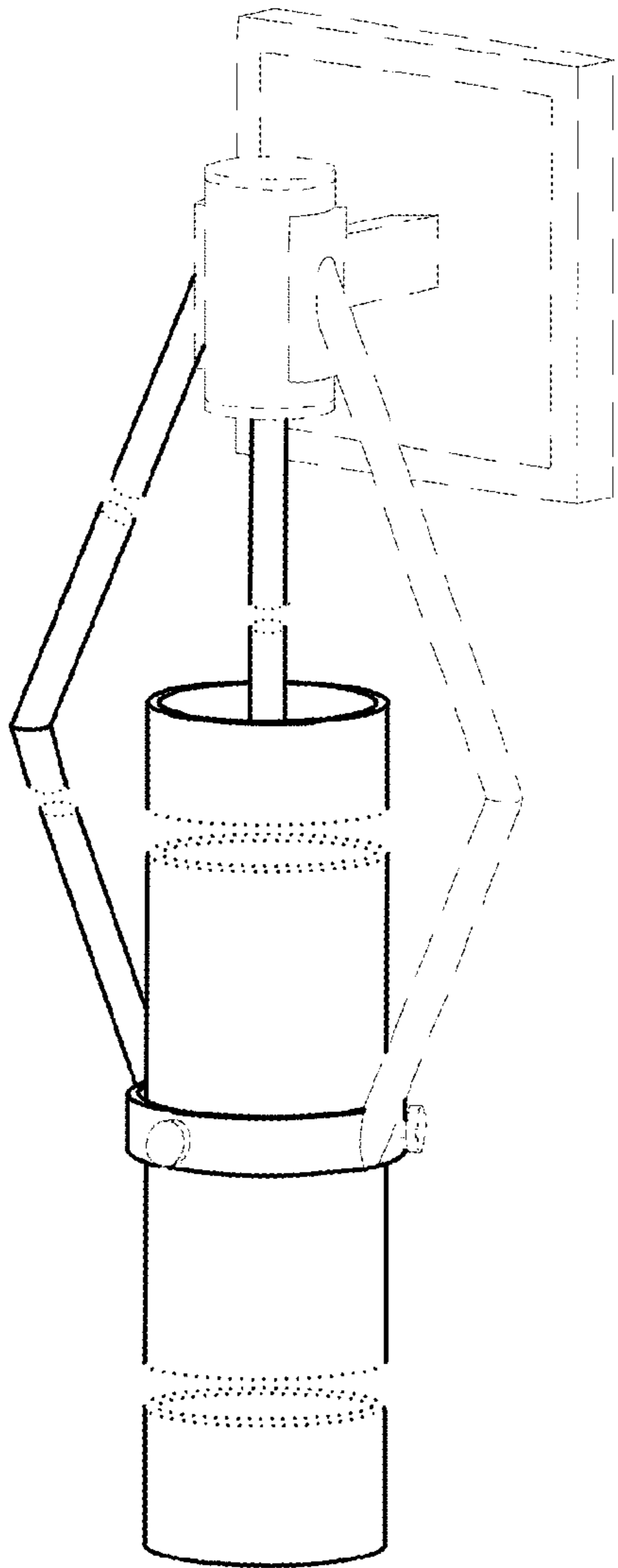


Fig. 1

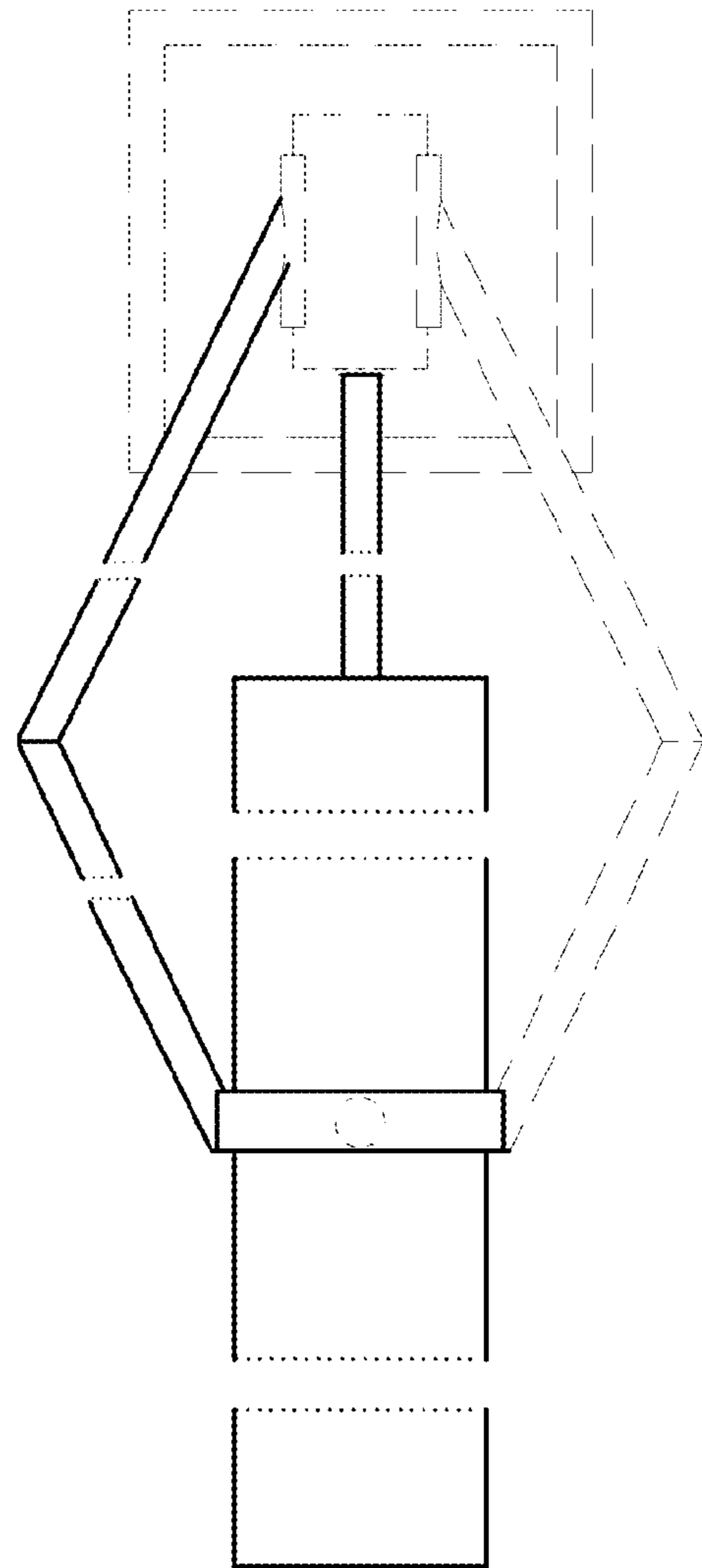


Fig. 2

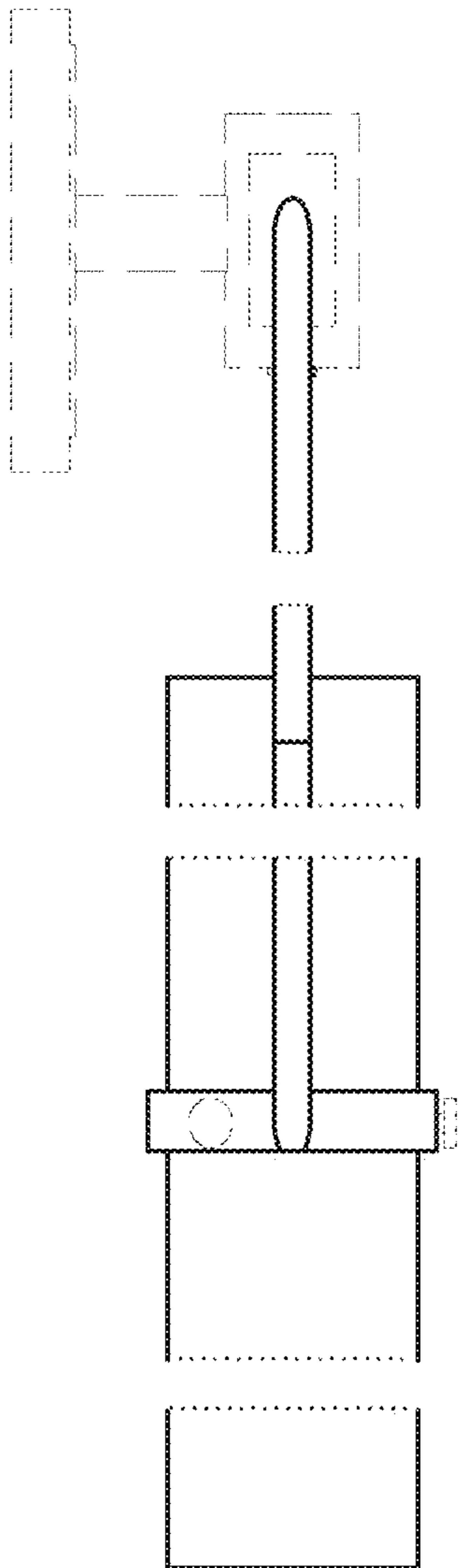


Fig. 3

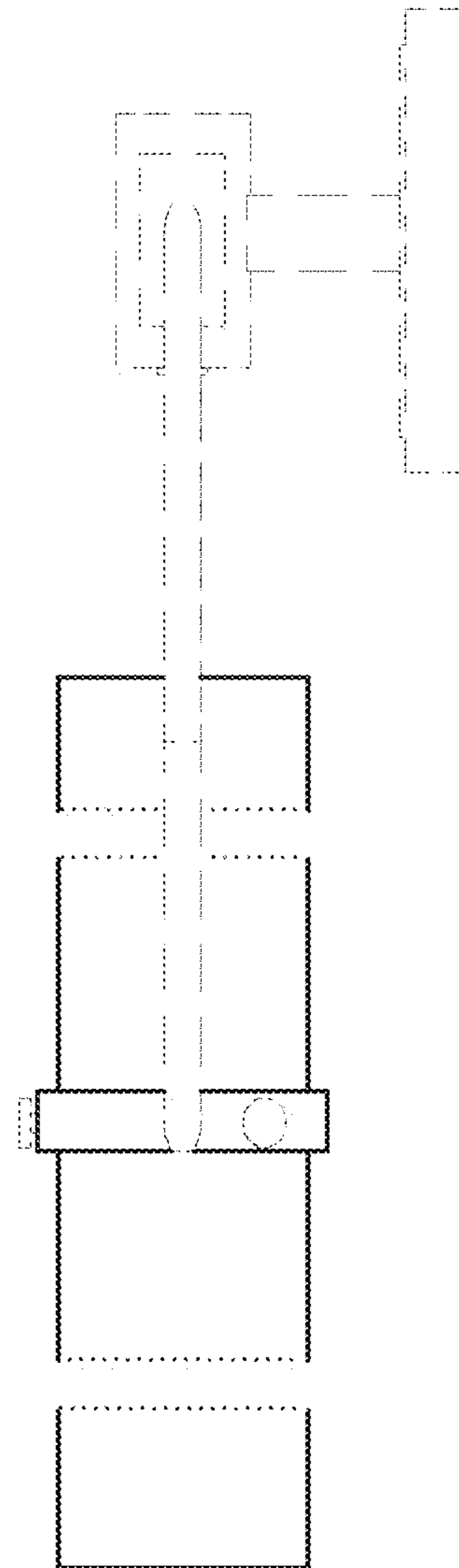


Fig. 4

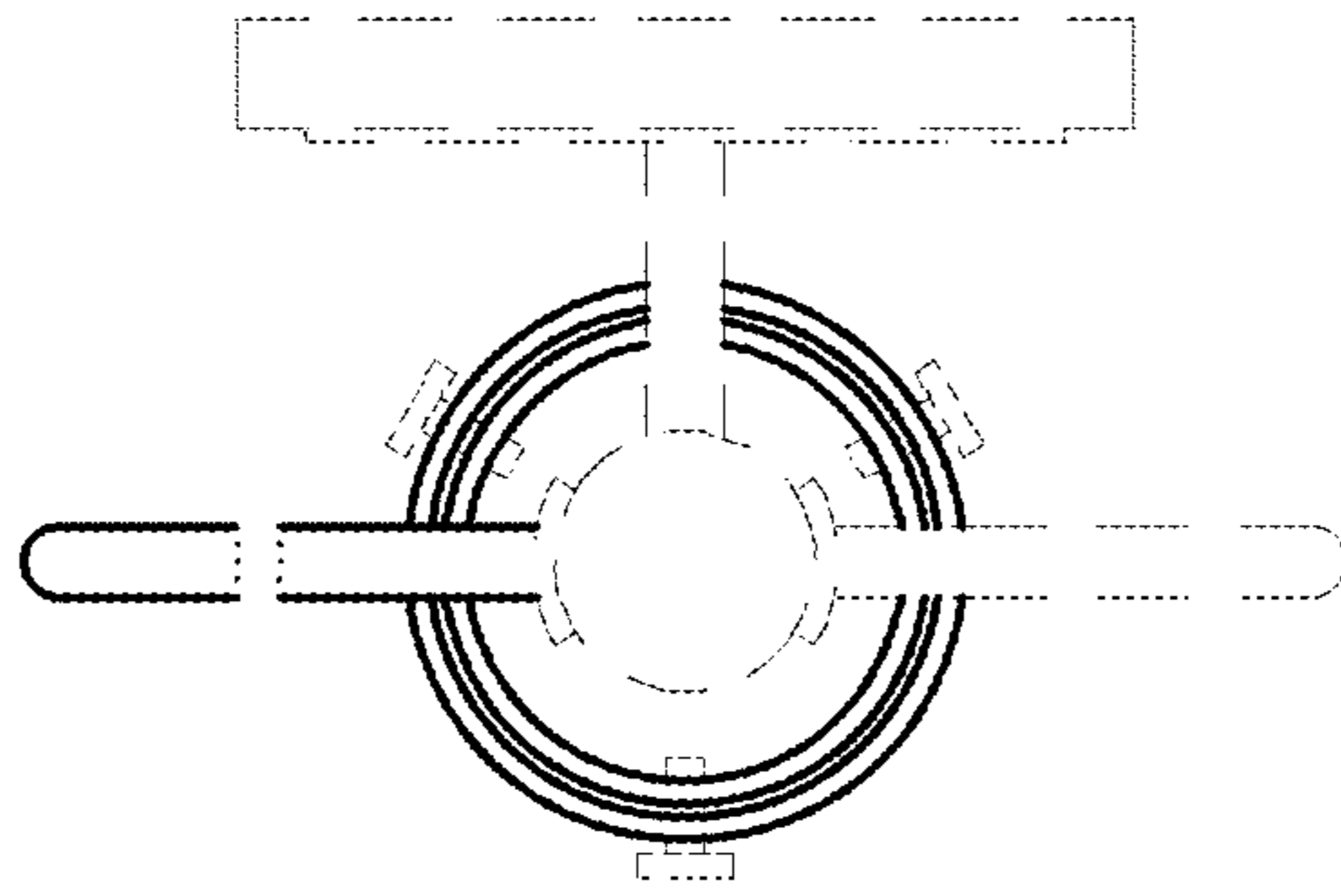


Fig. 5

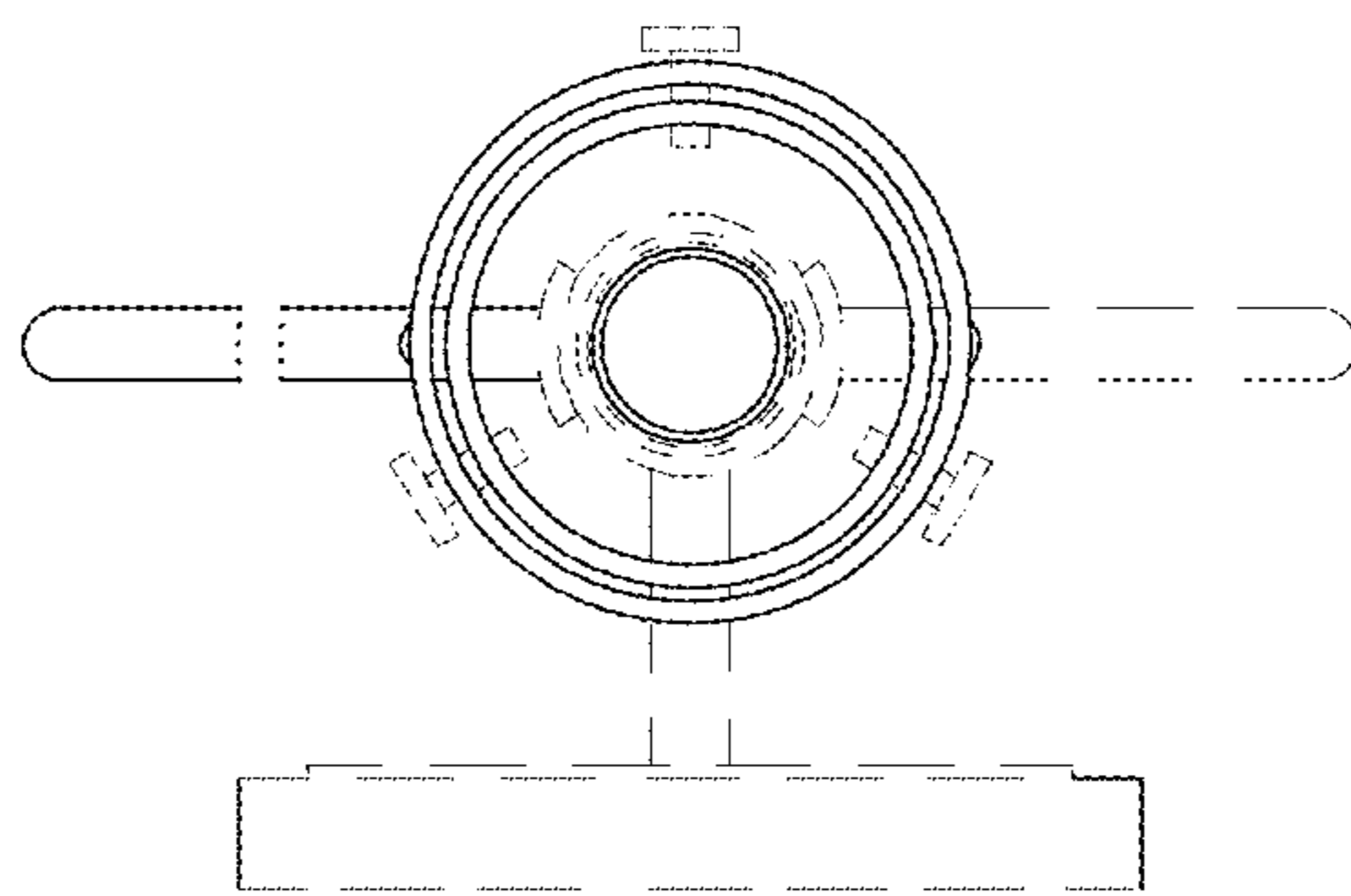


Fig. 6

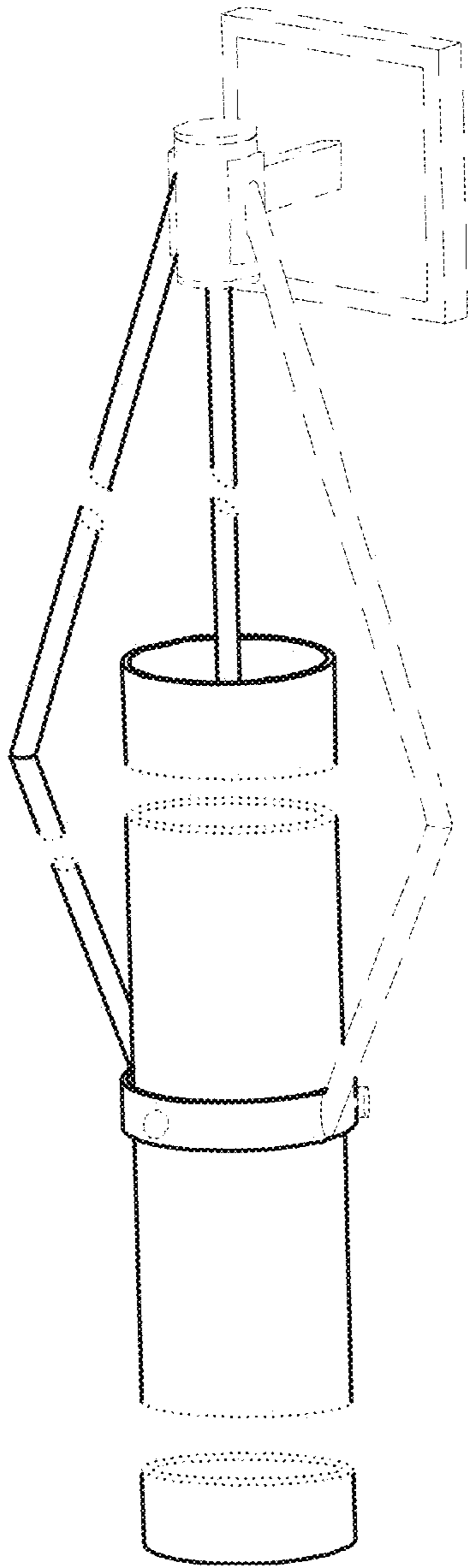


Fig. 7

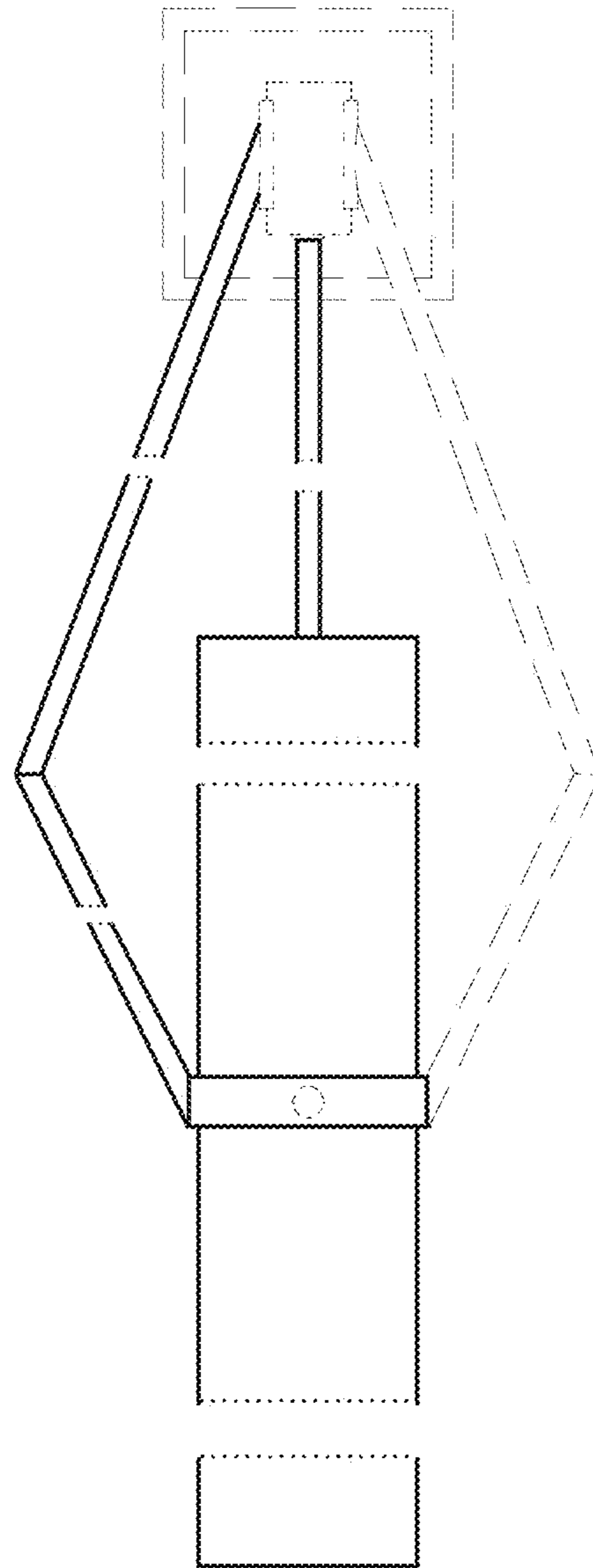


Fig. 8

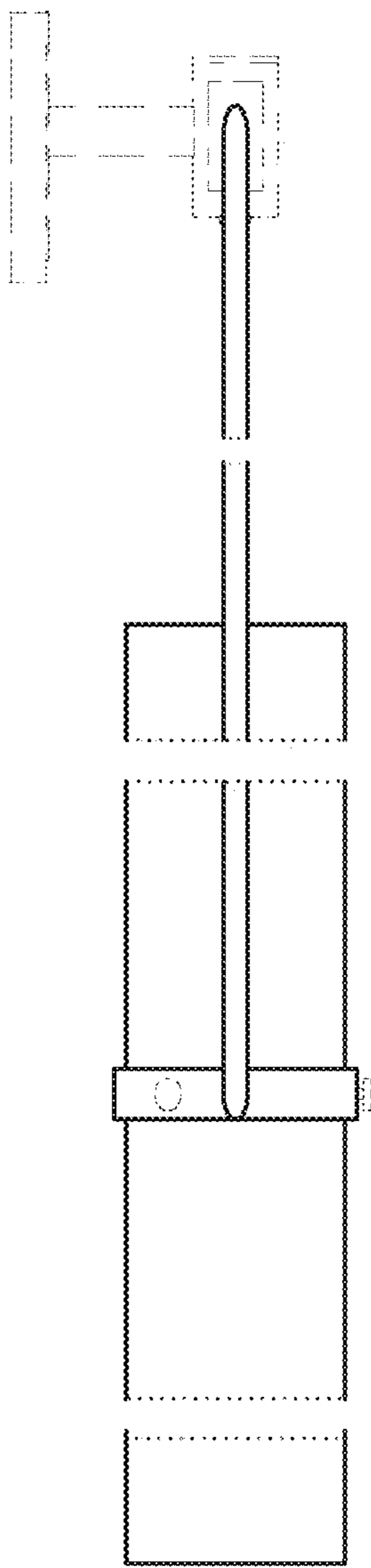


Fig. 9

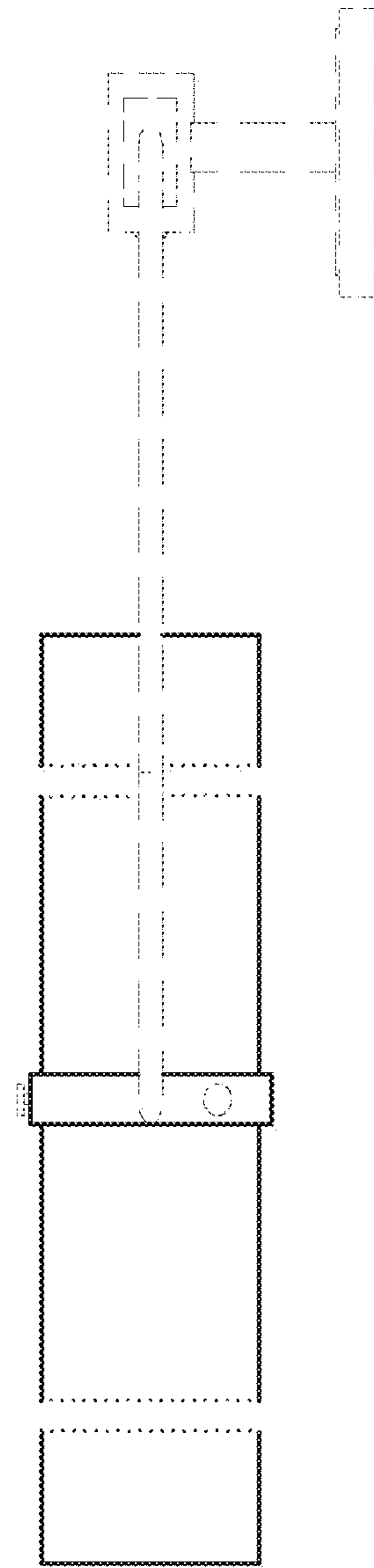


Fig. 10

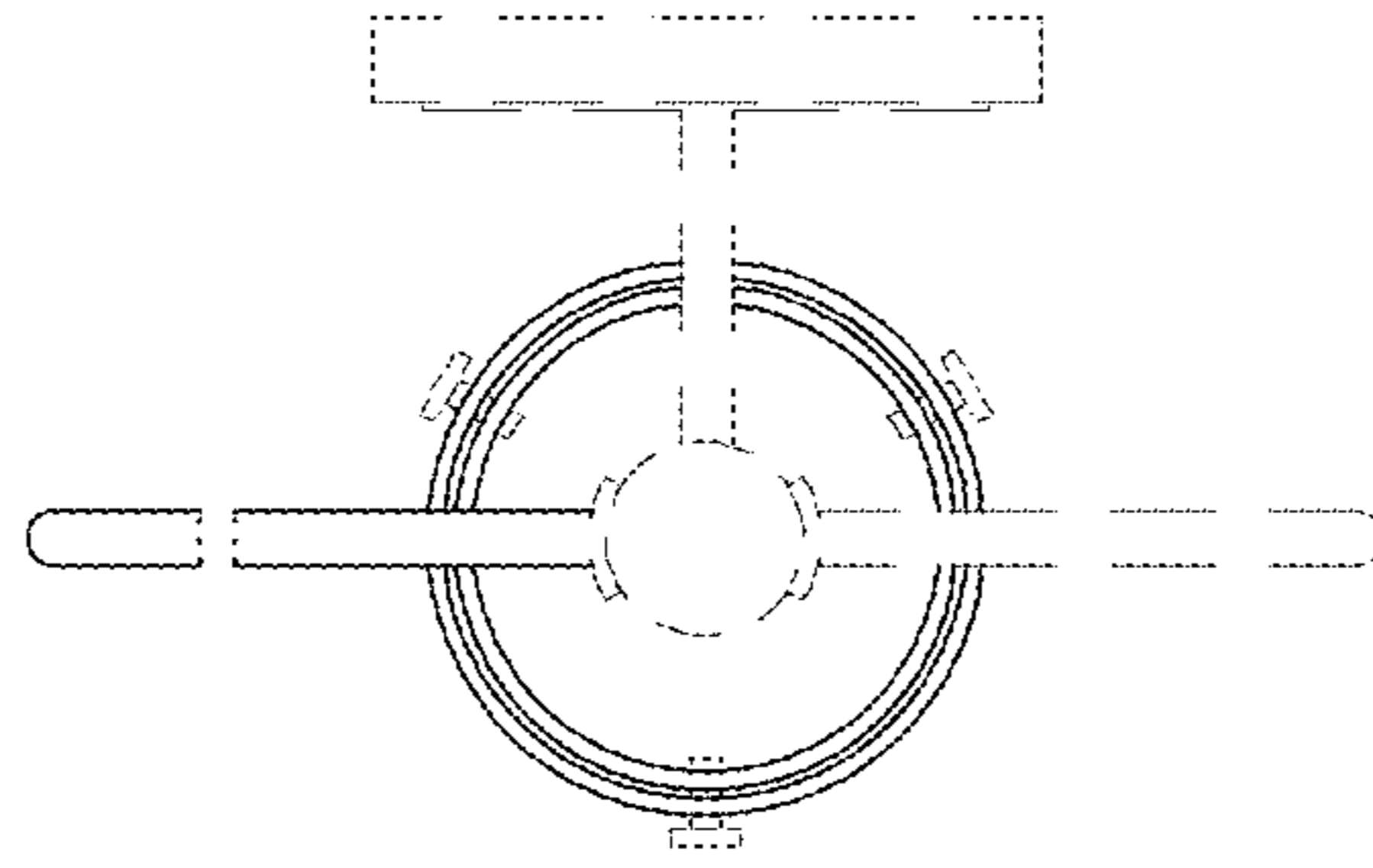


Fig. 11

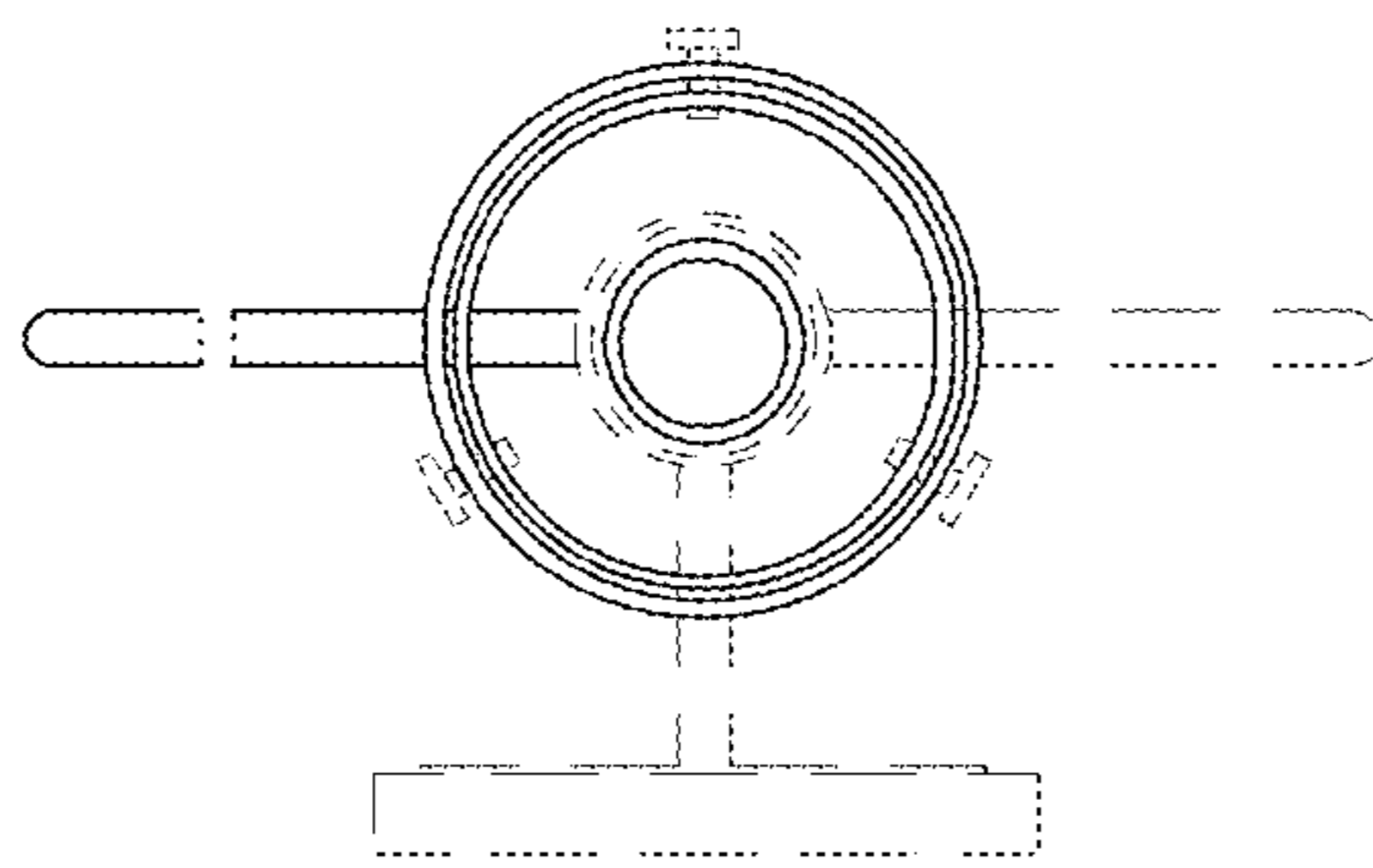


Fig. 12

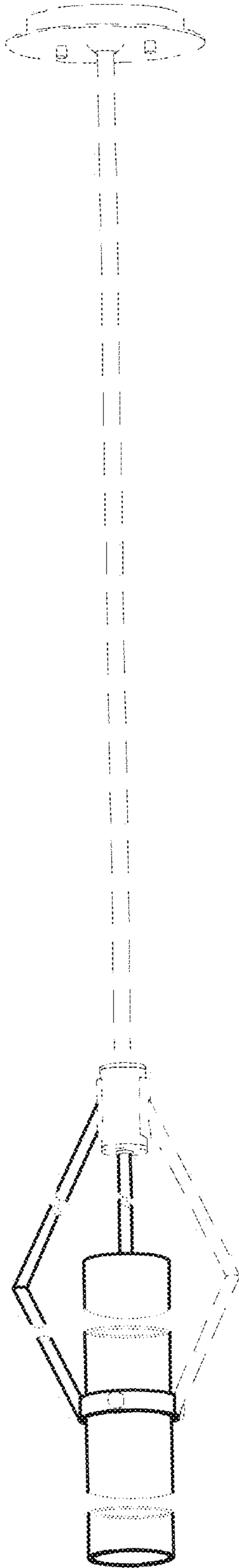


Fig. 13



Fig. 14

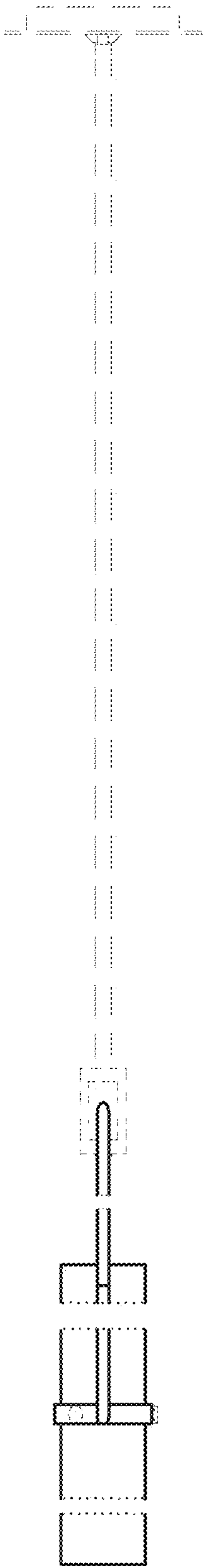


Fig. 15

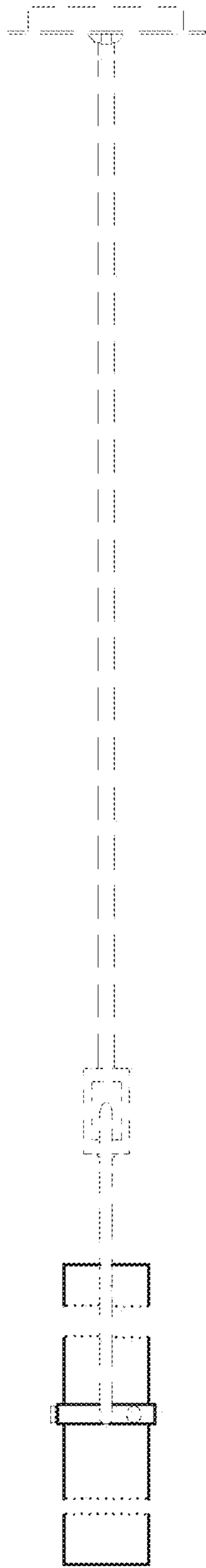


Fig. 16

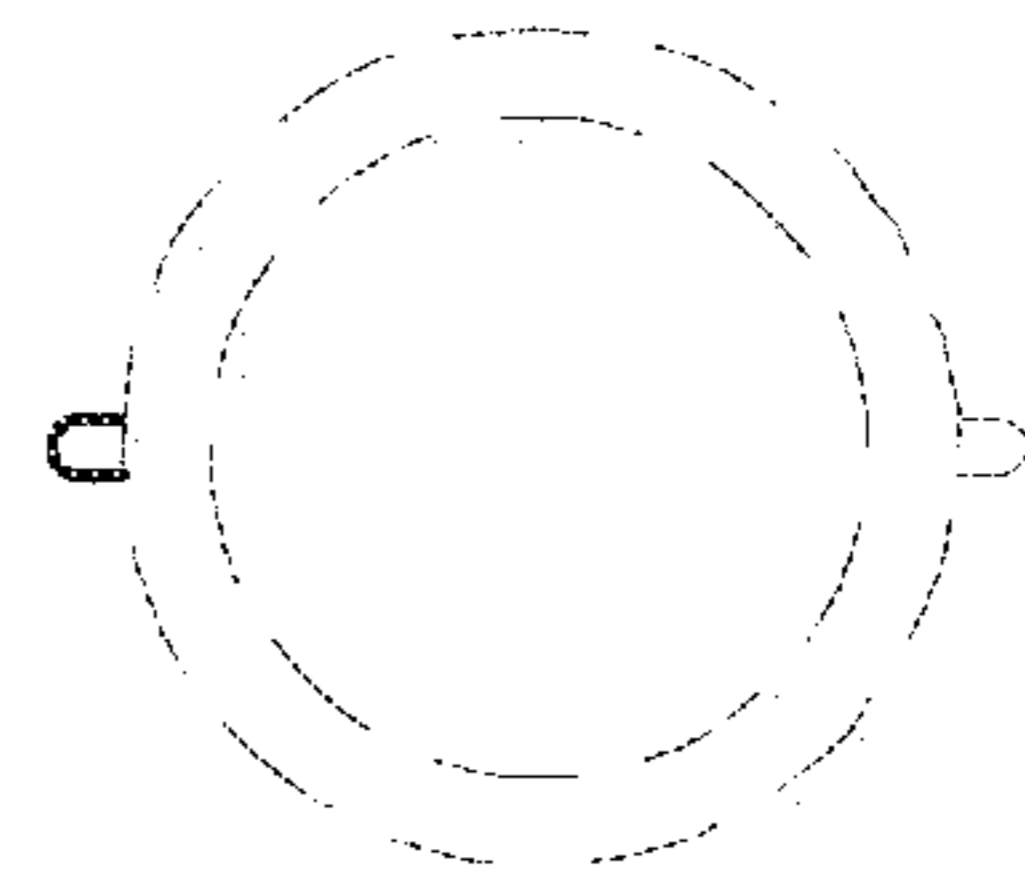


Fig. 17

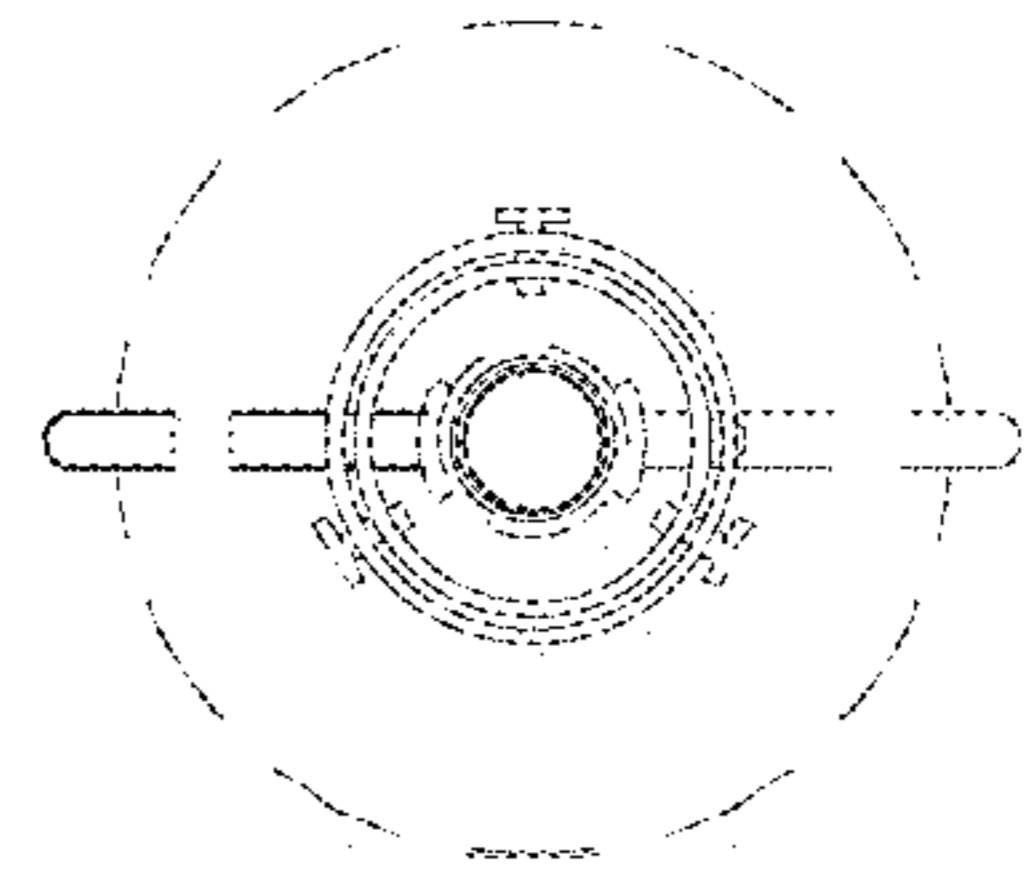


Fig. 18

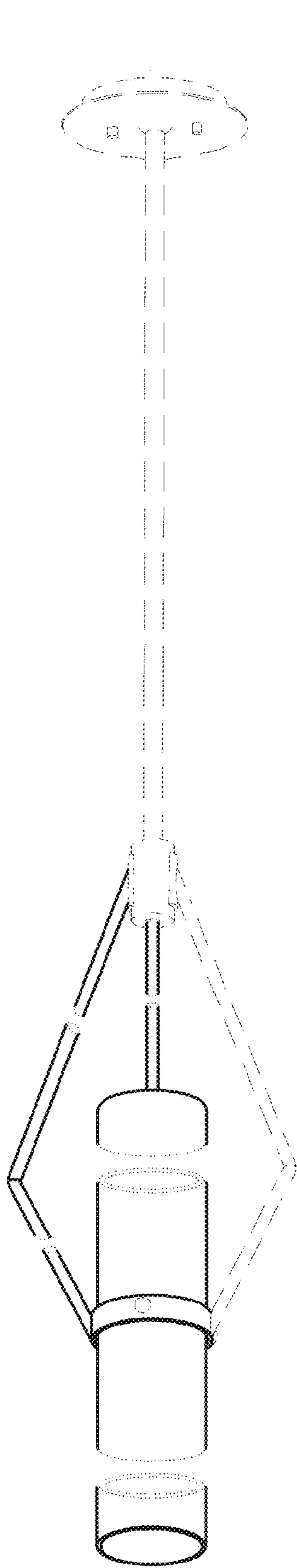


Fig. 19

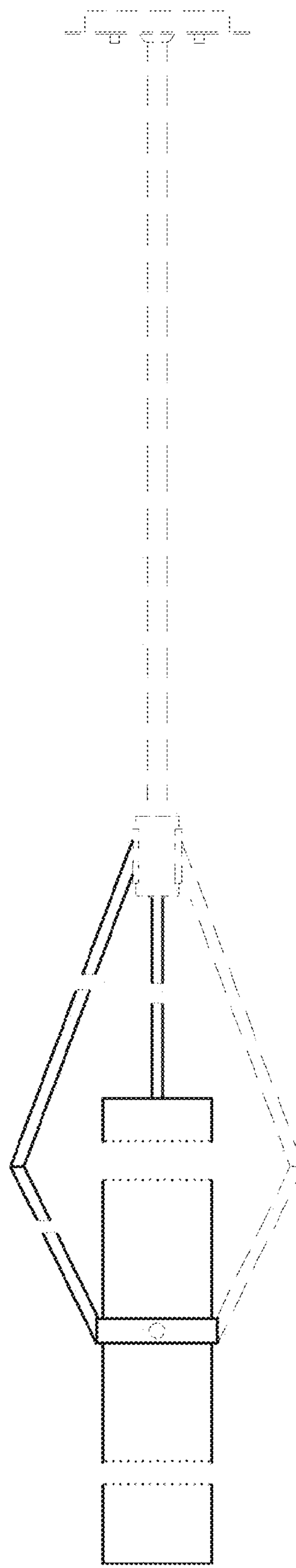


Fig. 20

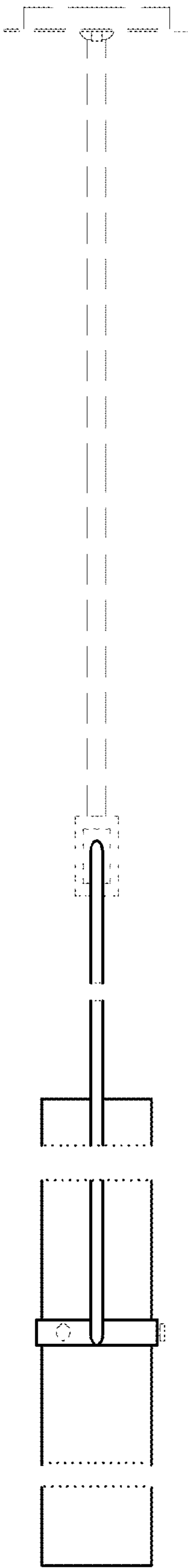


Fig. 21

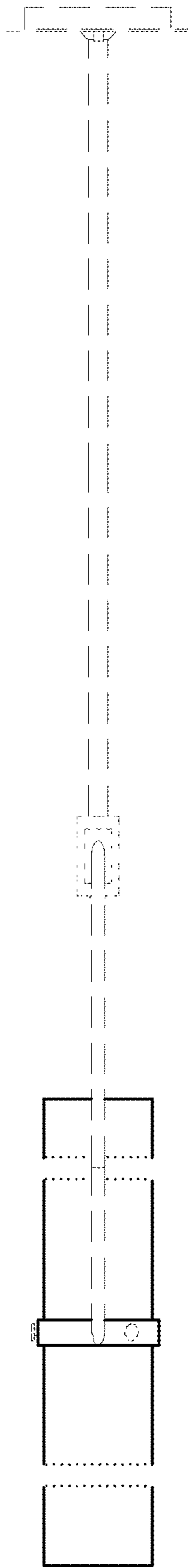


Fig. 22

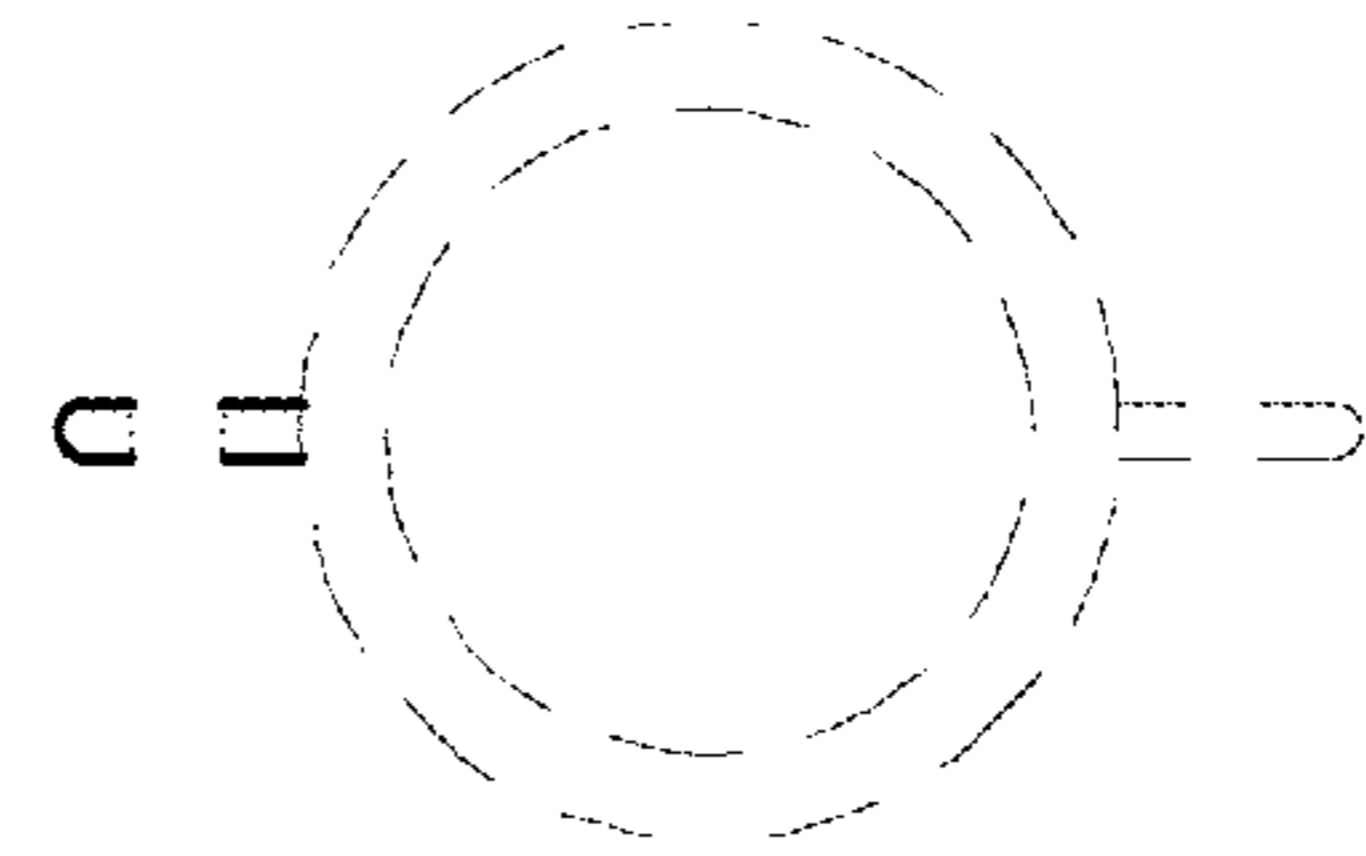


Fig. 23

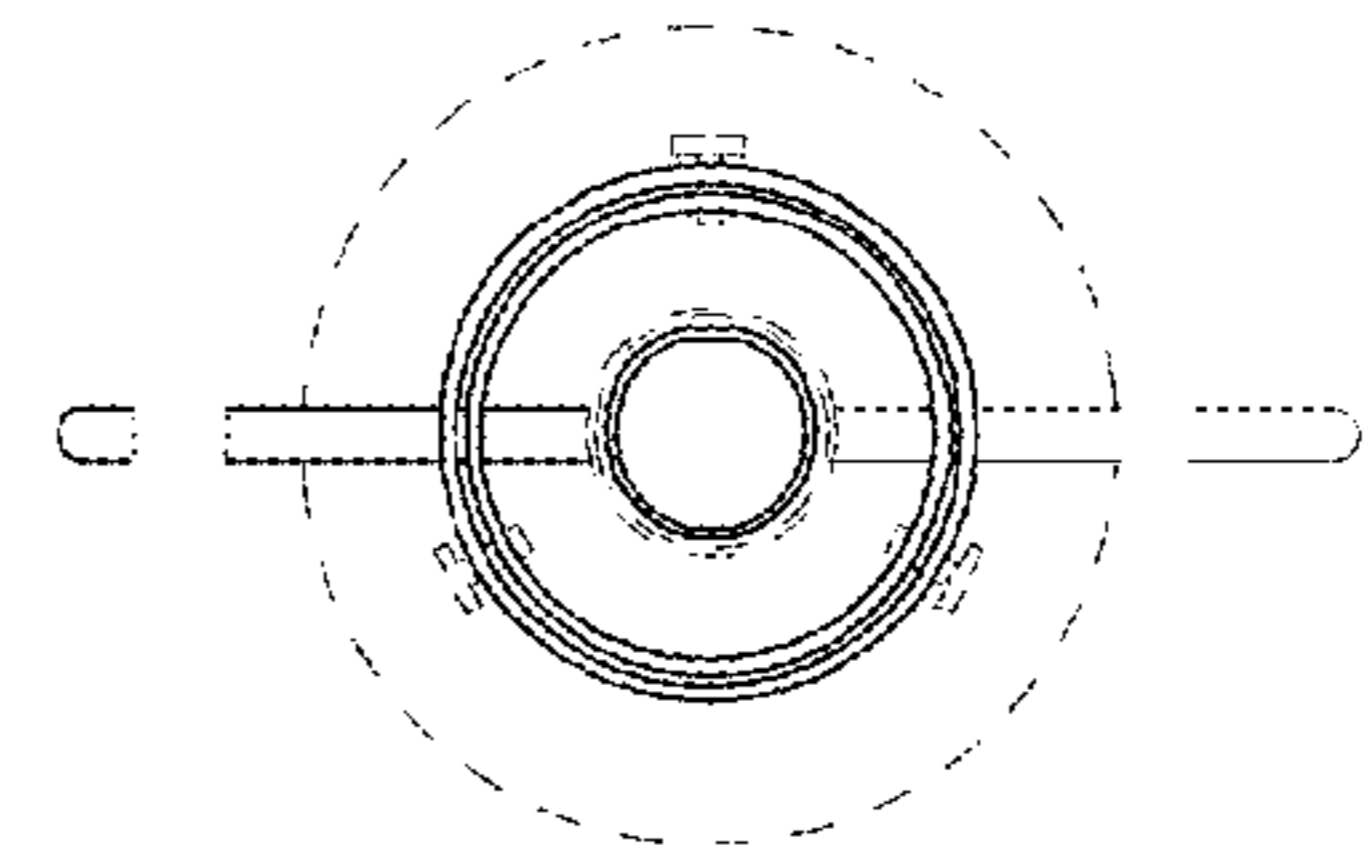


Fig. 24