



US00D895882S

(12) **United States Design Patent**  
**Li**

(10) **Patent No.:** **US D895,882 S**

(45) **Date of Patent:** **\*\* Sep. 8, 2020**

(54) **LAMP**

(71) Applicant: **Anqiang Li**, Nanyang (CN)

(72) Inventor: **Anqiang Li**, Nanyang (CN)

(\*\*) Term: **15 Years**

(21) Appl. No.: **29/734,352**

(22) Filed: **May 12, 2020**

(51) **LOC (12) Cl.** ..... **26-03**

(52) **U.S. Cl.**  
USPC ..... **D26/86; D26/87**

(58) **Field of Classification Search**  
USPC ..... D26/67, 68, 72, 85-87, 119  
CPC ..... F21S 13/10  
See application file for complete search history.

(56) **References Cited**

**U.S. PATENT DOCUMENTS**

D429,363 S *	8/2000	Hsieh	.....	D26/87
D438,323 S *	2/2001	Xu	.....	D26/72
D444,904 S *	7/2001	Orozco	.....	D26/86
D536,821 S *	2/2007	Dolan	.....	D26/87
D575,437 S *	8/2008	Bickler	.....	D26/86
D686,770 S *	7/2013	Orozco	.....	D26/86
D694,938 S *	12/2013	Dolan	.....	D26/87
D754,906 S *	4/2016	Smith	.....	D26/87
D835,324 S	12/2018	Haubach		
D845,535 S *	4/2019	Van Duysen	.....	D26/87
D869,730 S	12/2019	Lin		
D882,149 S *	4/2020	Lin	.....	D26/87
2020/0049319 A1	2/2020	Lanz		

**OTHER PUBLICATIONS**

Industrial Oil Rubbed Bronze Wall Sconce sold by Minimalamp at amazon.com Oct. 22, 2017. (Year: 2017).\*

Compositions 12 3/4" Wide Iron 2-Light Bath Light Style #M6576 from lampsplus.com visited Jul. 30, 2020. (Year: 2020).\*  
Tustna 3-Light Brushed Nickel Bathroom Vanity Light by Home Decorators Collection at homedepot.com visited Jul. 30, 2020. (Year: 2020).\*

\* cited by examiner

*Primary Examiner* — Clare E Heflin

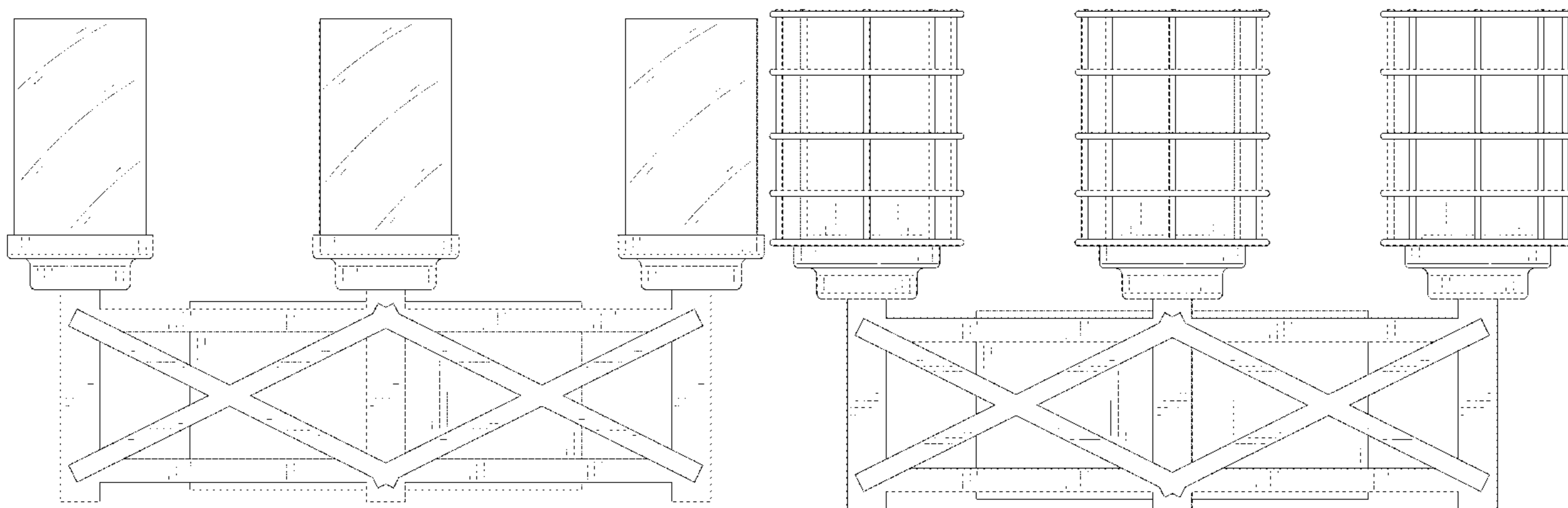
(57) **CLAIM**

The ornamental design for a lamp, as shown and described.

**DESCRIPTION**

FIG. 1 is a perspective view of a first embodiment of a lamp showing my new design;  
FIG. 2 is another perspective view thereof;  
FIG. 3 is a front elevational view thereof;  
FIG. 4 is a rear elevational view thereof;  
FIG. 5 is a left side elevational view thereof;  
FIG. 6 is a right side elevational view thereof;  
FIG. 7 is a top plan view thereof;  
FIG. 8 is a bottom plan view thereof;  
FIG. 9 is a perspective view of a second embodiment of the lamp showing my new design;  
FIG. 10 is another perspective view thereof;  
FIG. 11 is a front elevational view thereof;  
FIG. 12 is a rear elevational view thereof;  
FIG. 13 is a left side elevational view thereof;  
FIG. 14 is a right side elevational view thereof;  
FIG. 15 is a top plan view thereof; and,  
FIG. 16 is a bottom plan view thereof.  
The broken lines in the drawings depict portions of the lamp that form no part of the claimed design.

**1 Claim, 16 Drawing Sheets**



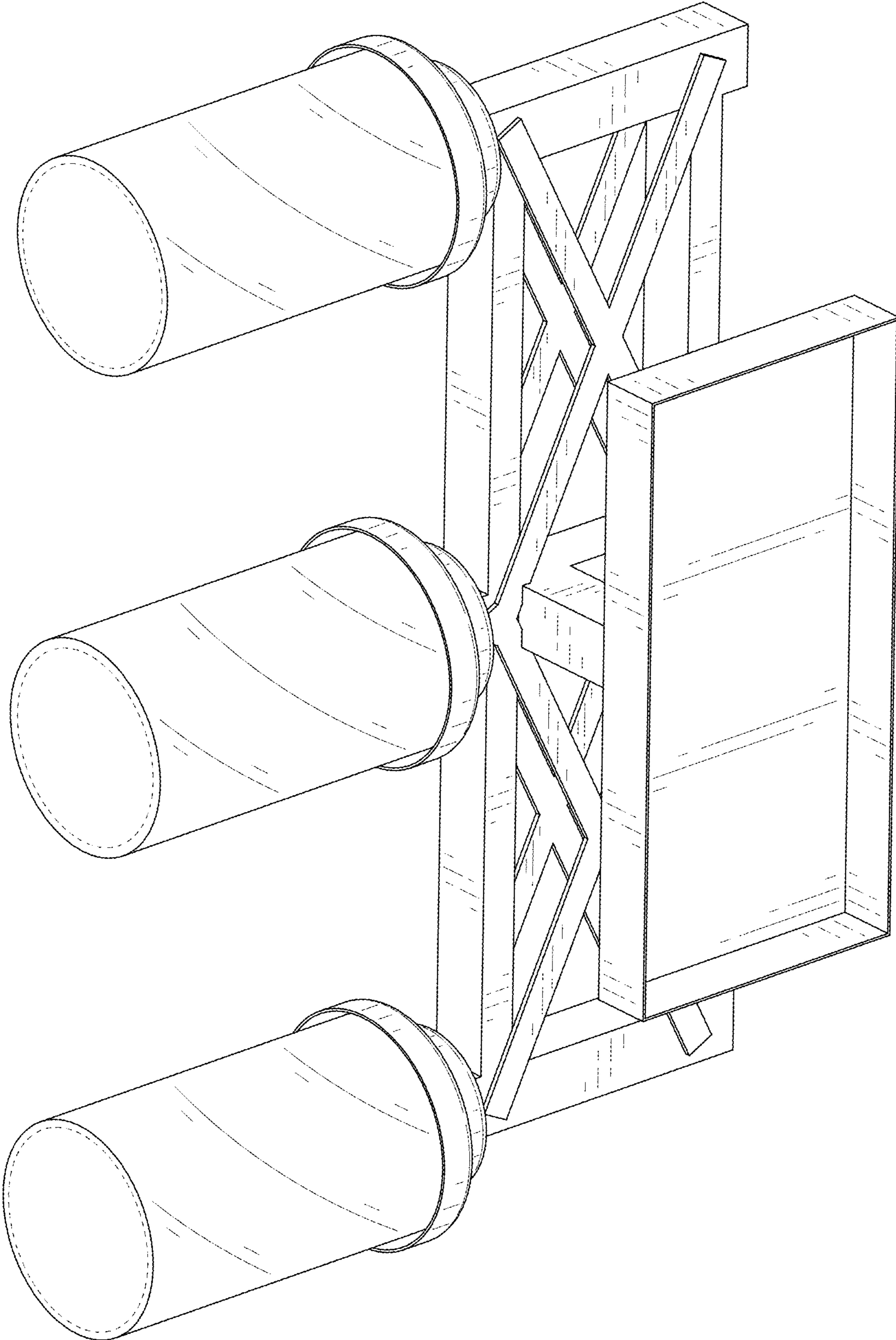


FIG. 1

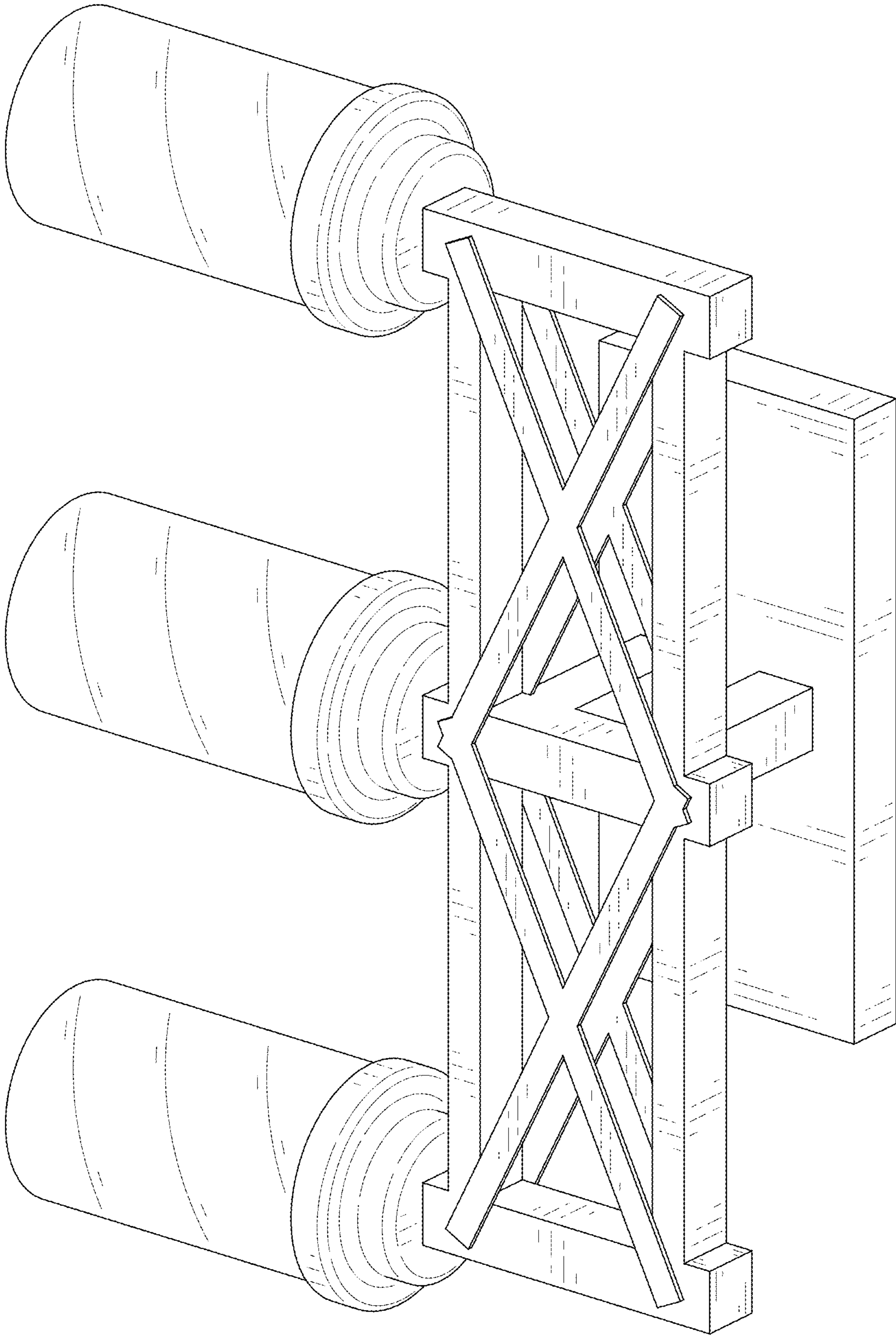


FIG. 2

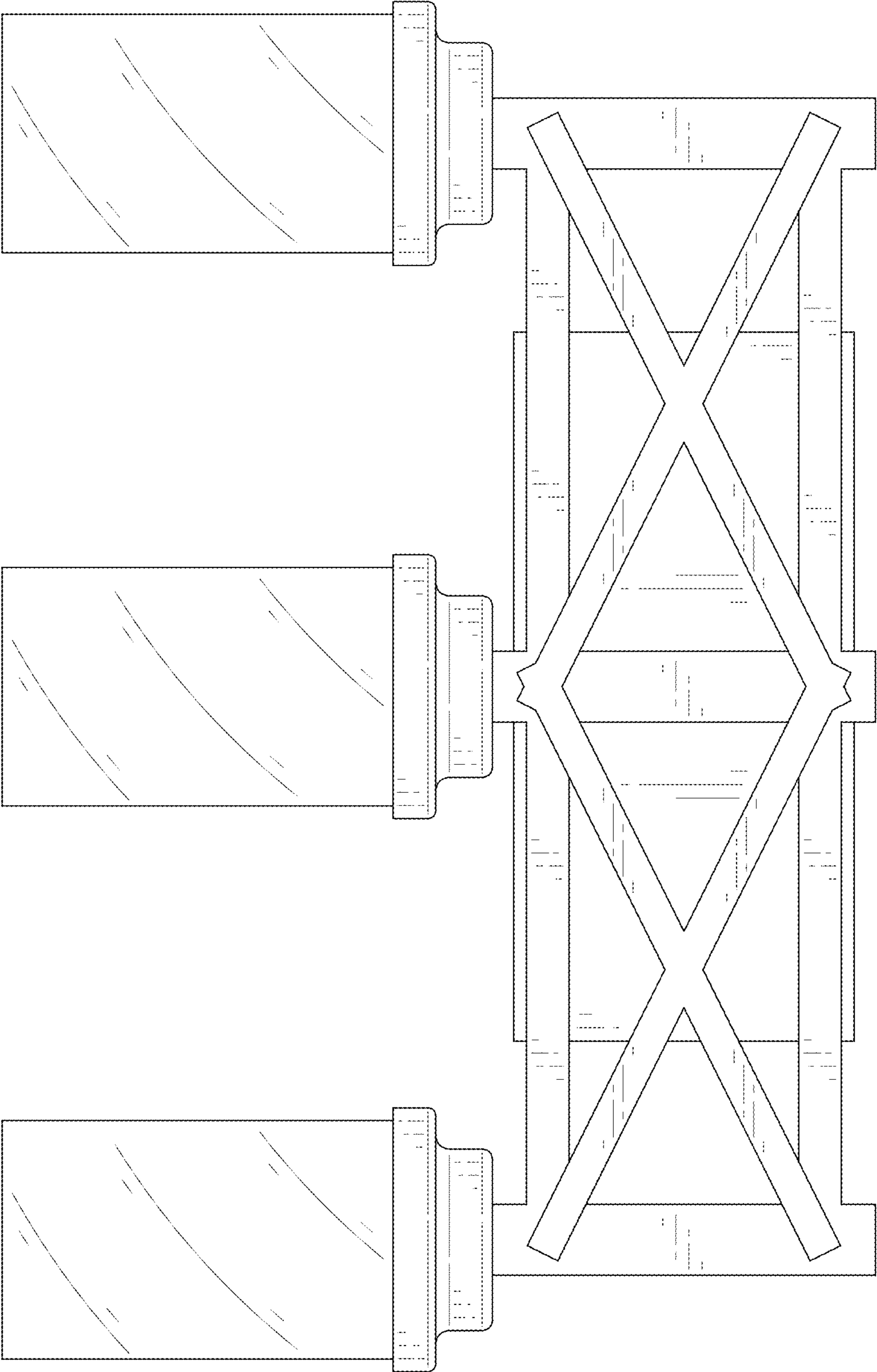


FIG. 3

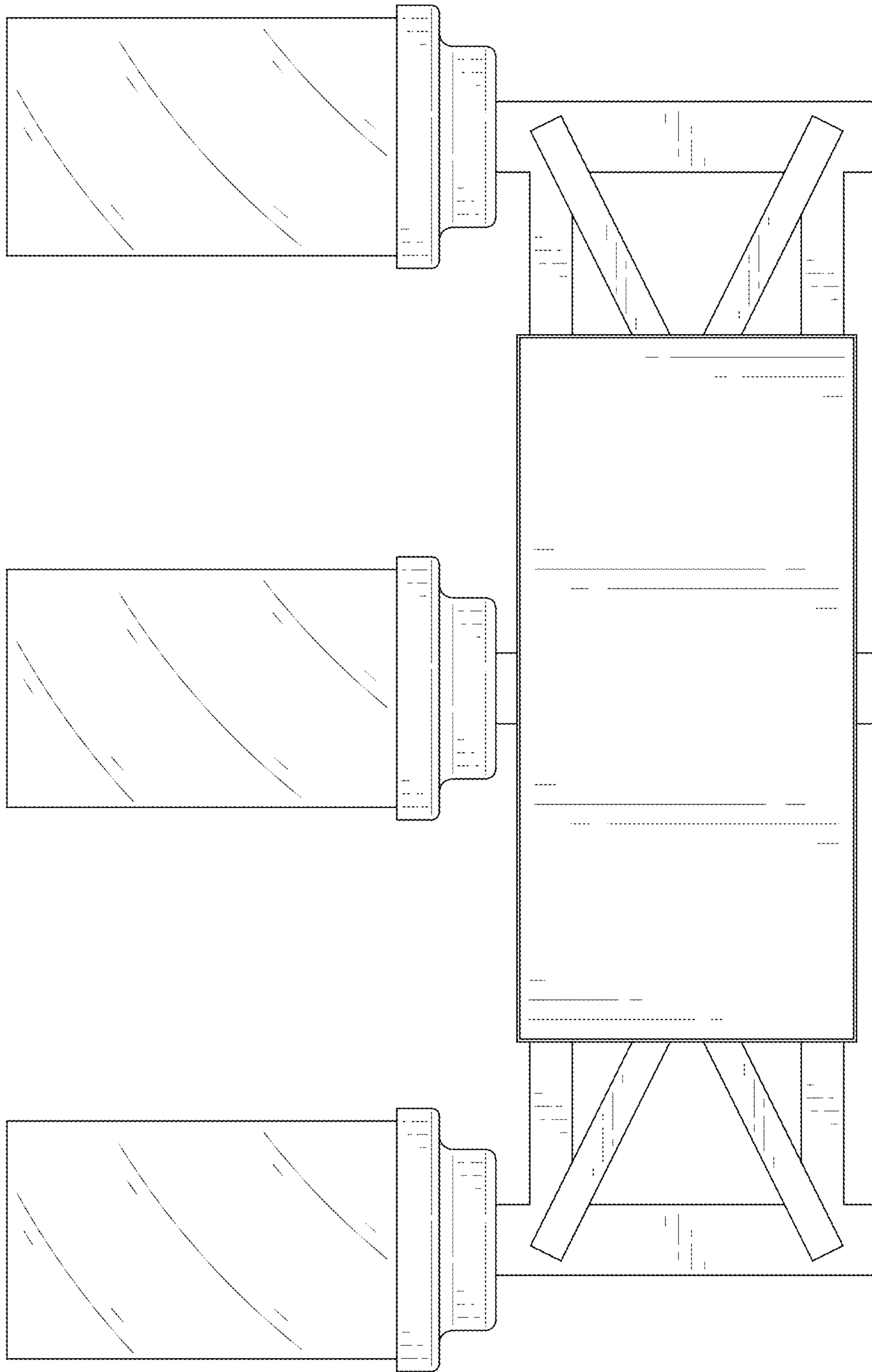


FIG. 4

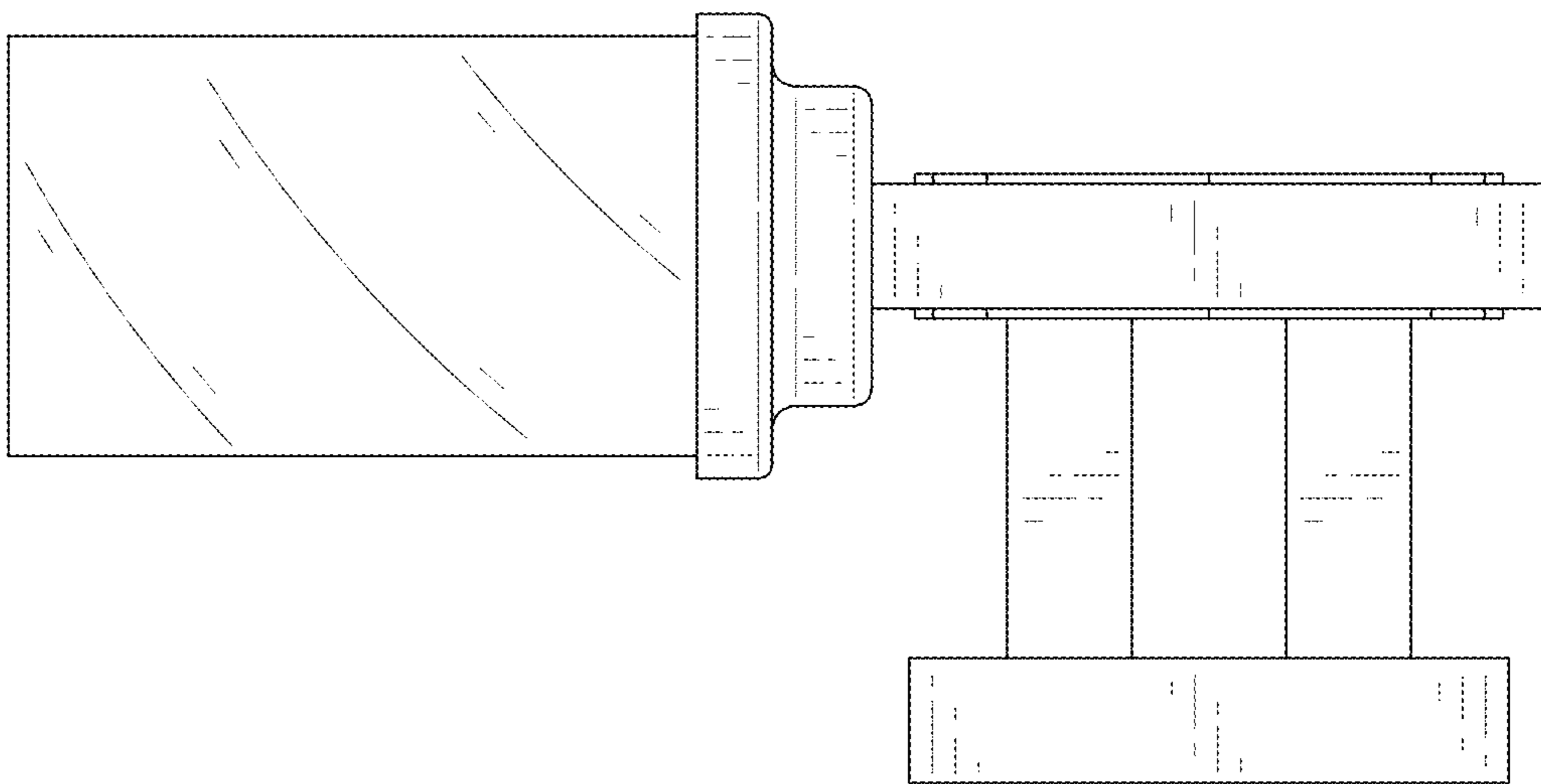


FIG. 5

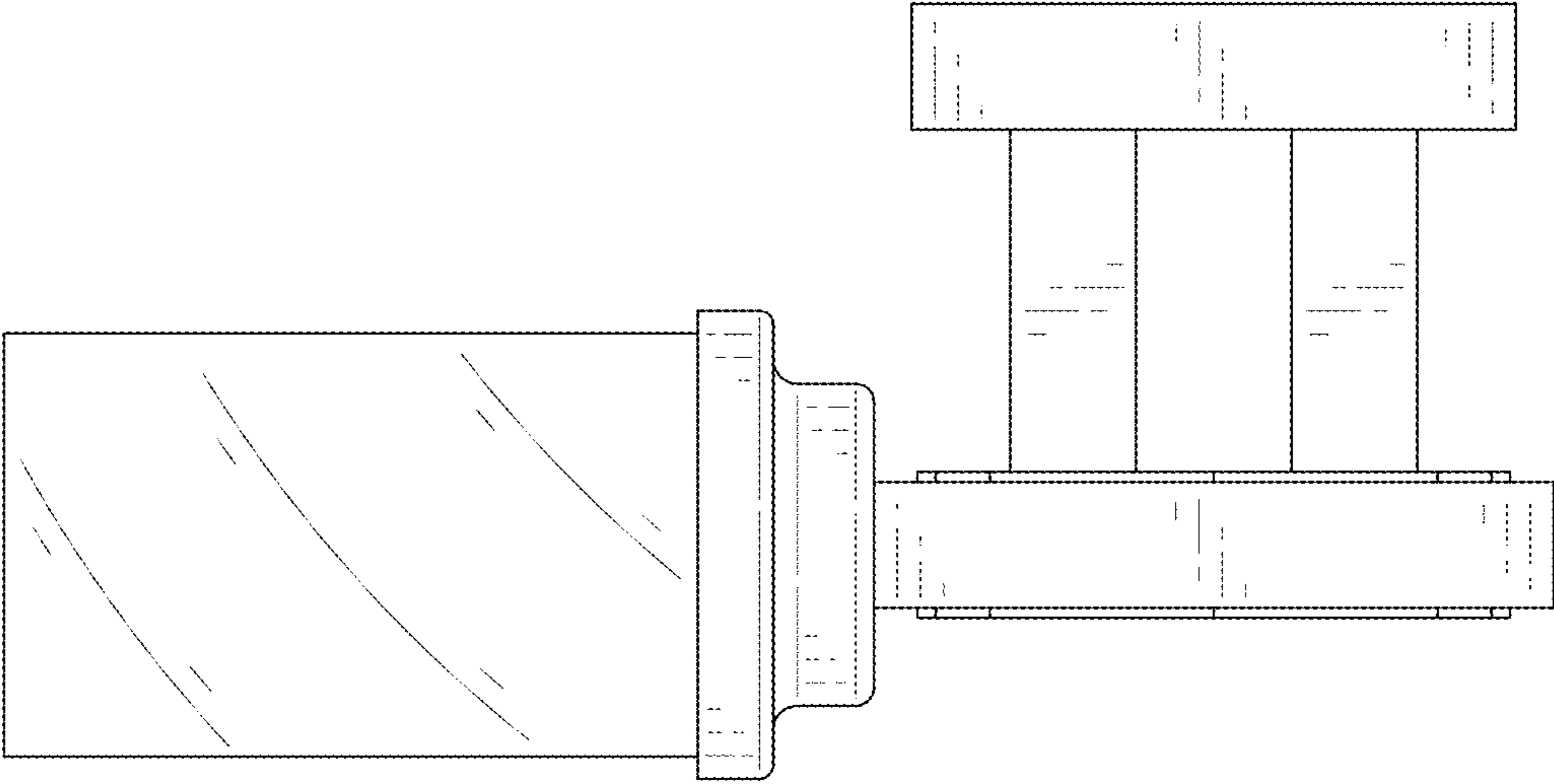


FIG. 6

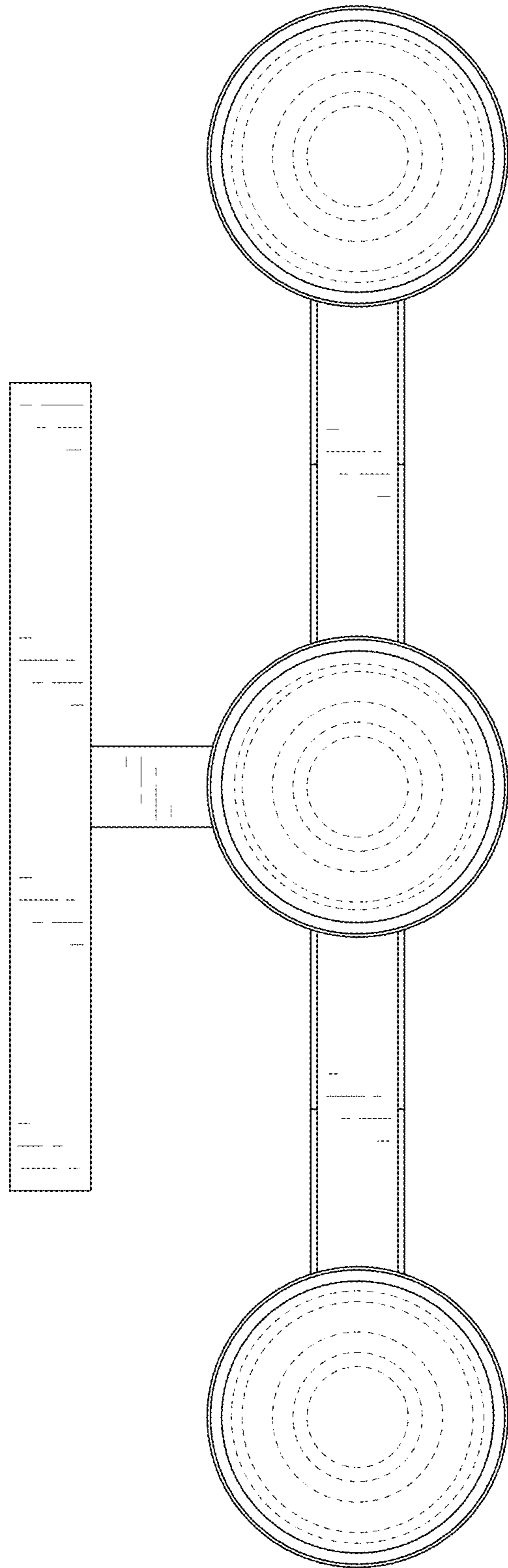


FIG. 7



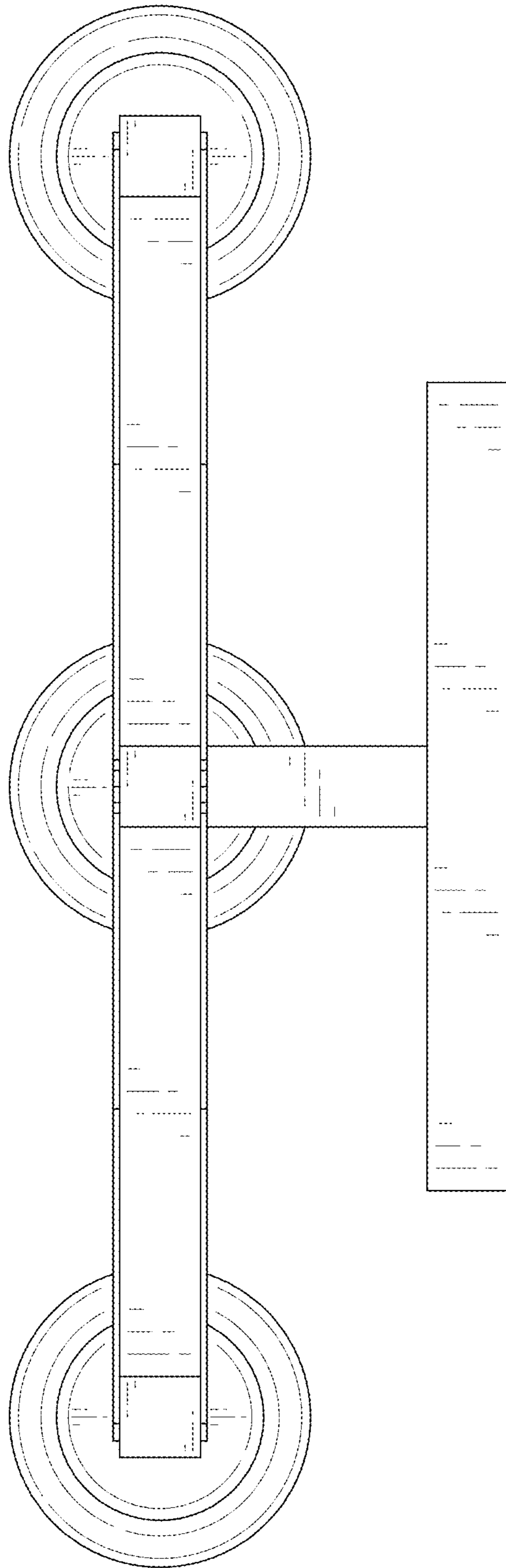


FIG. 8

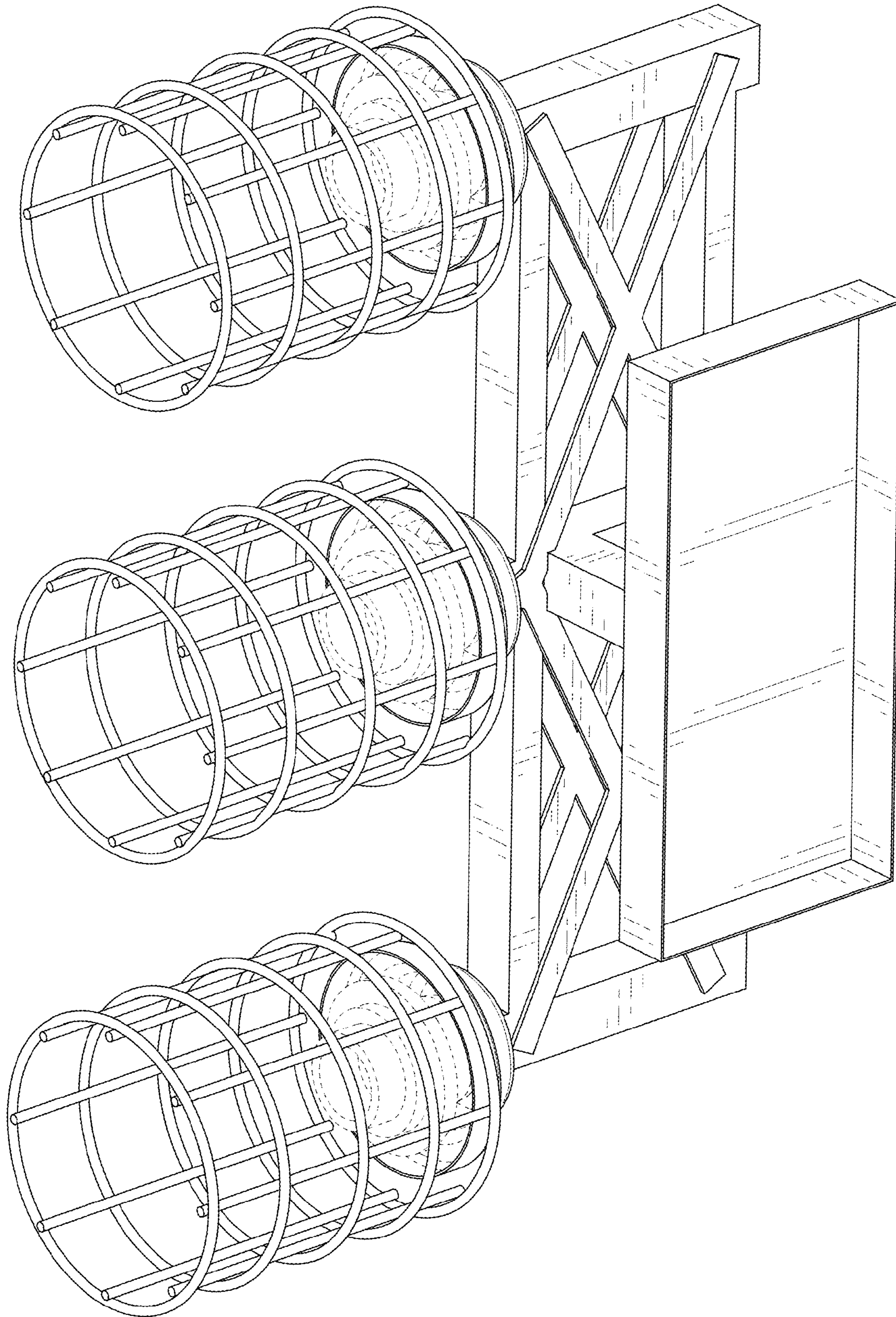


FIG. 9

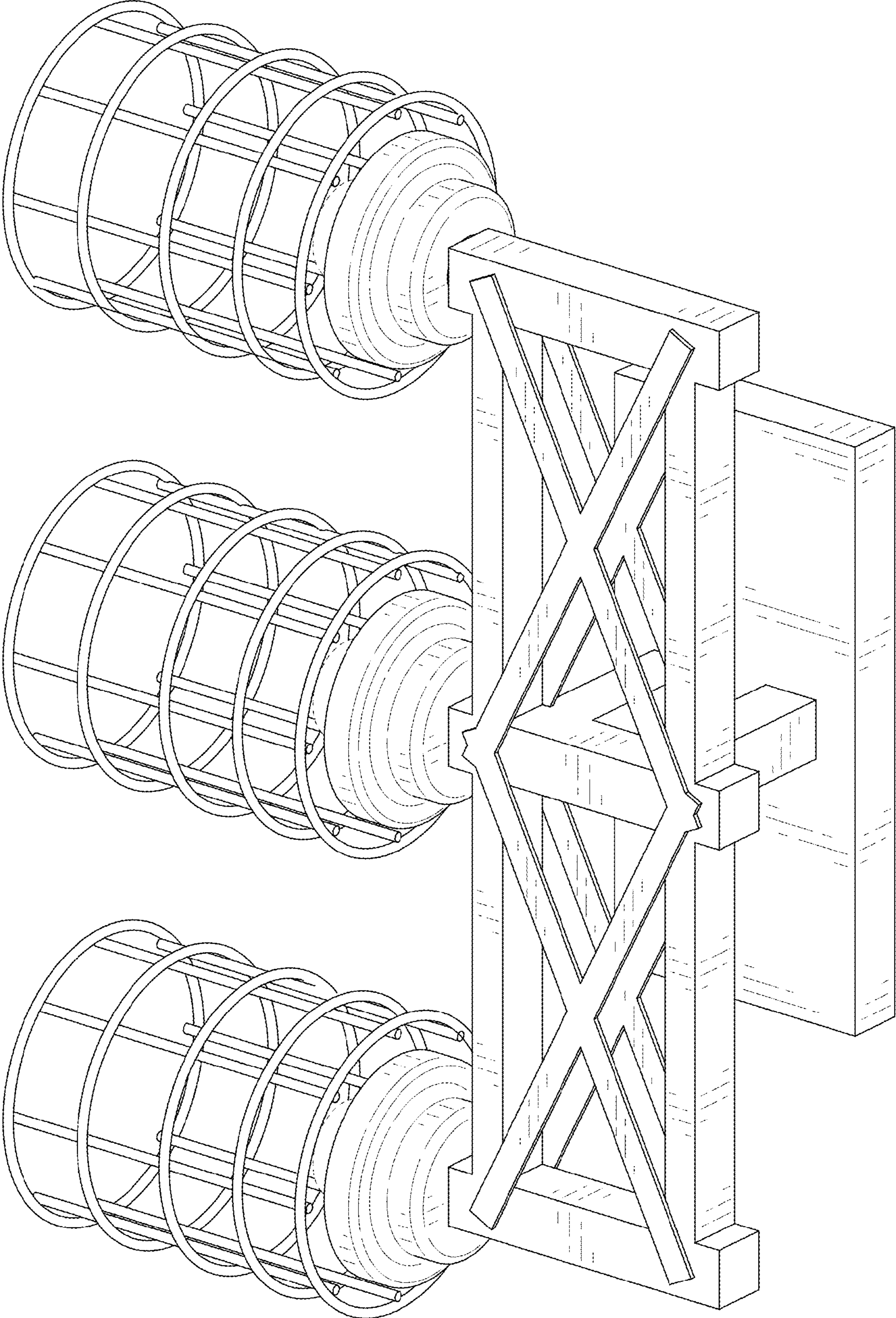


FIG. 10

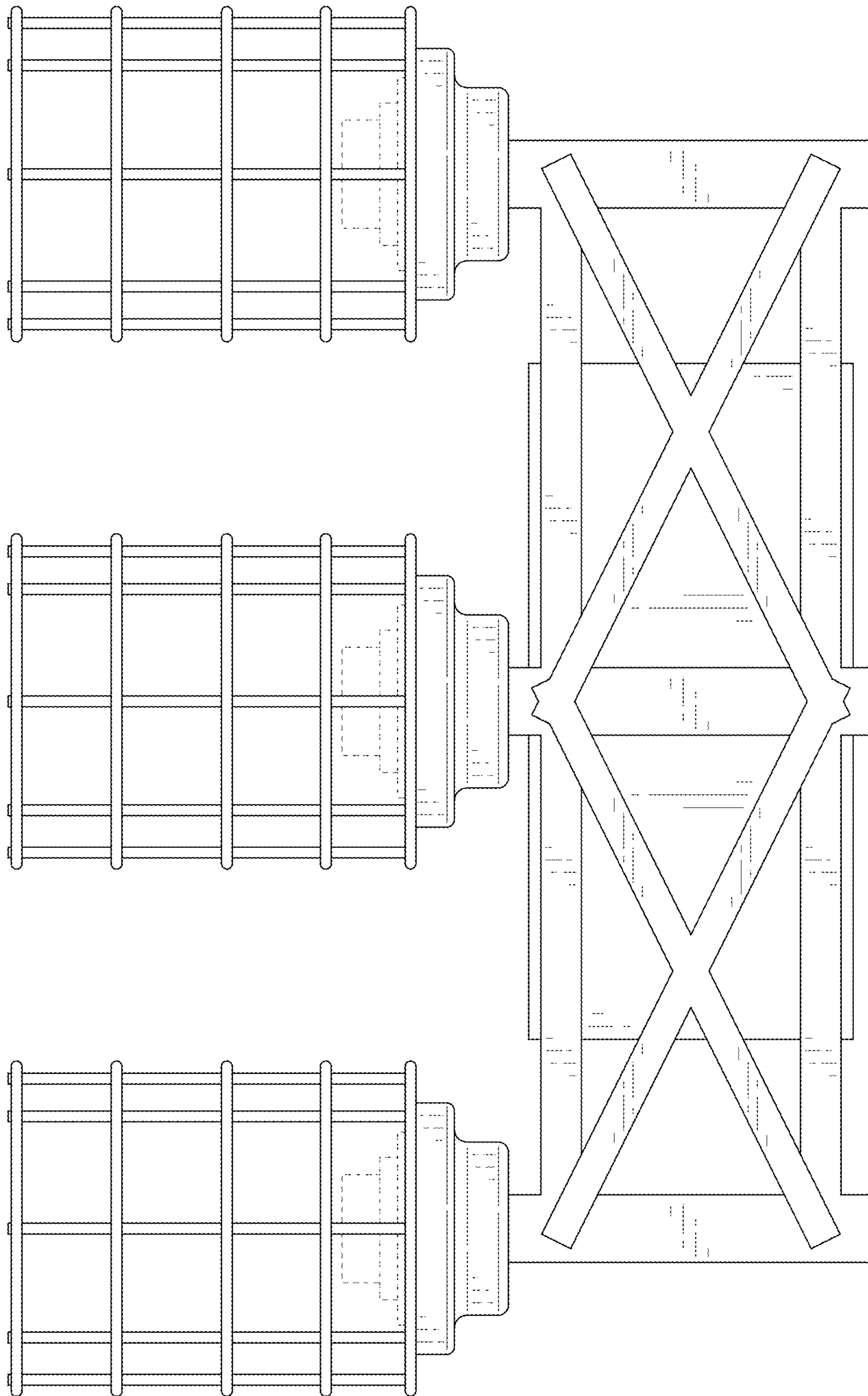


FIG. 11

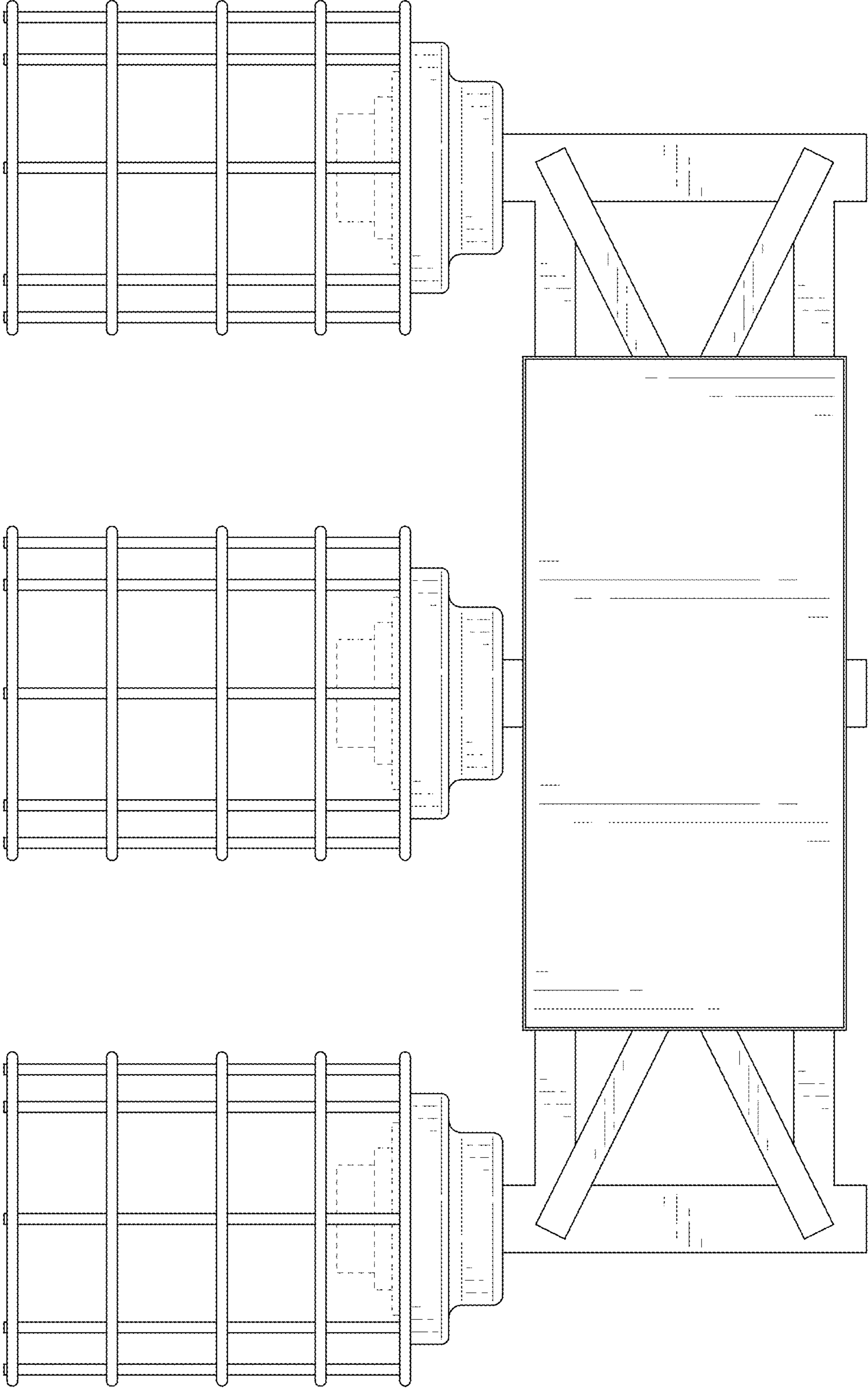


FIG. 12

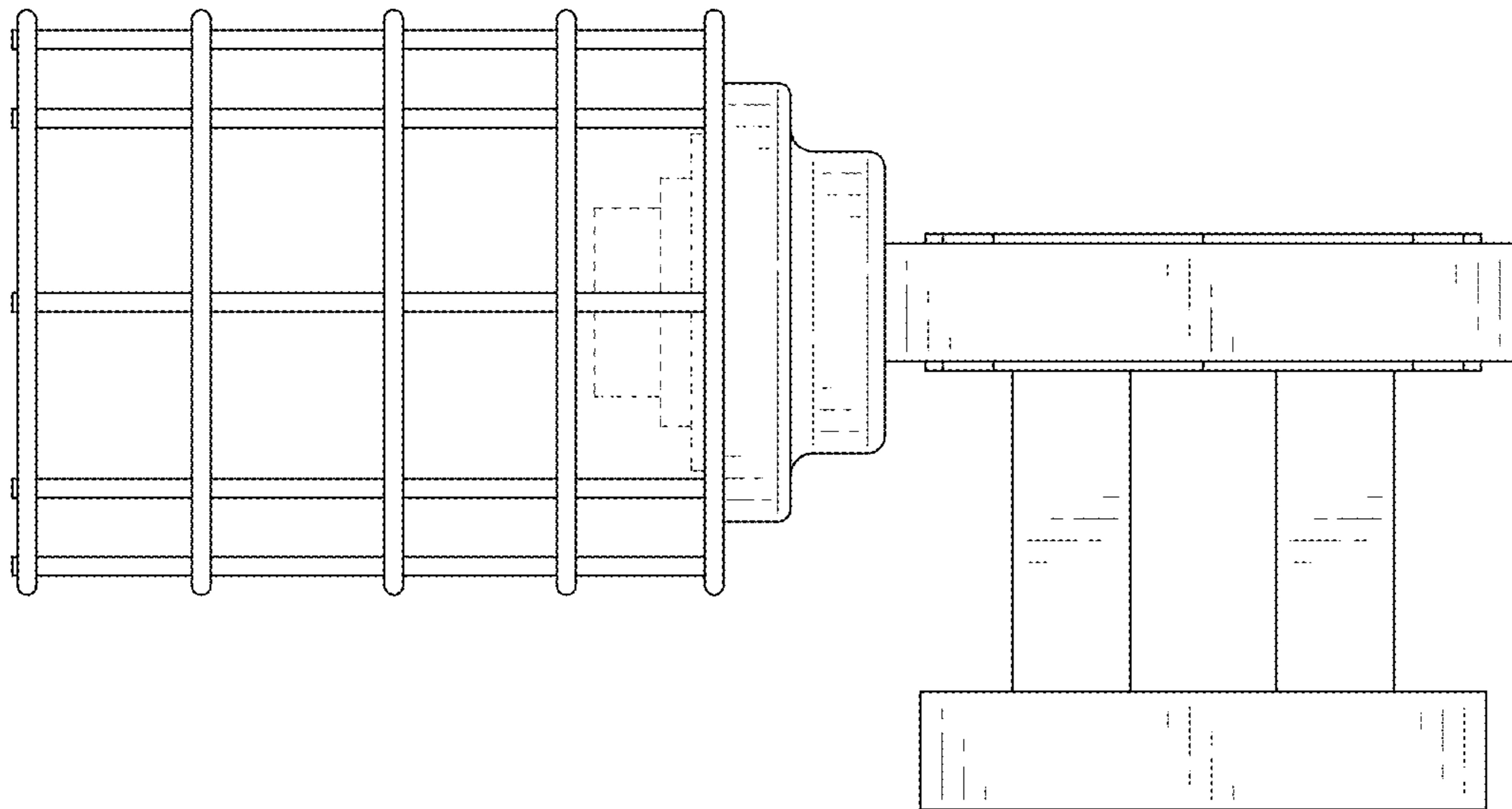


FIG. 13

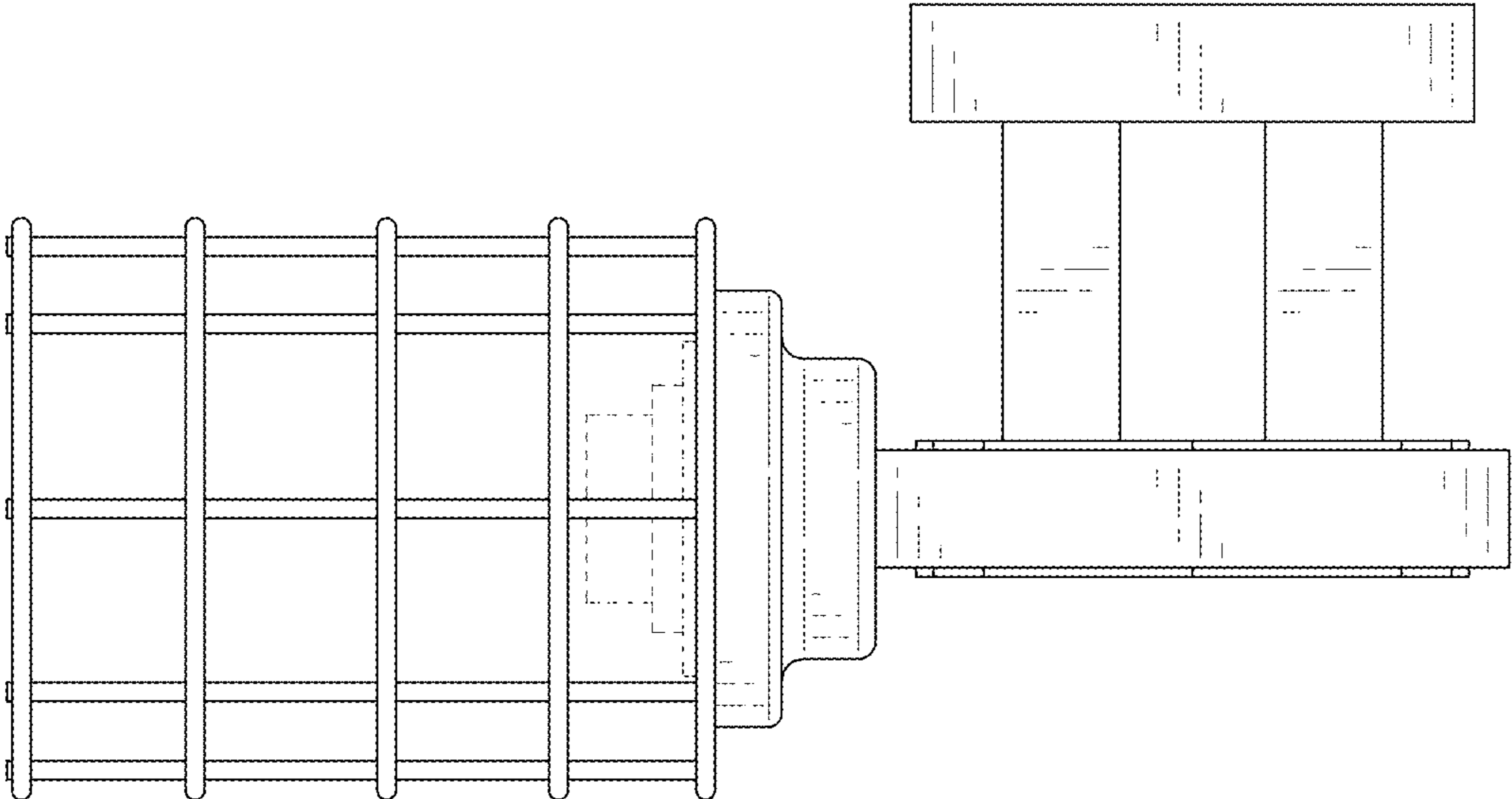


FIG. 14

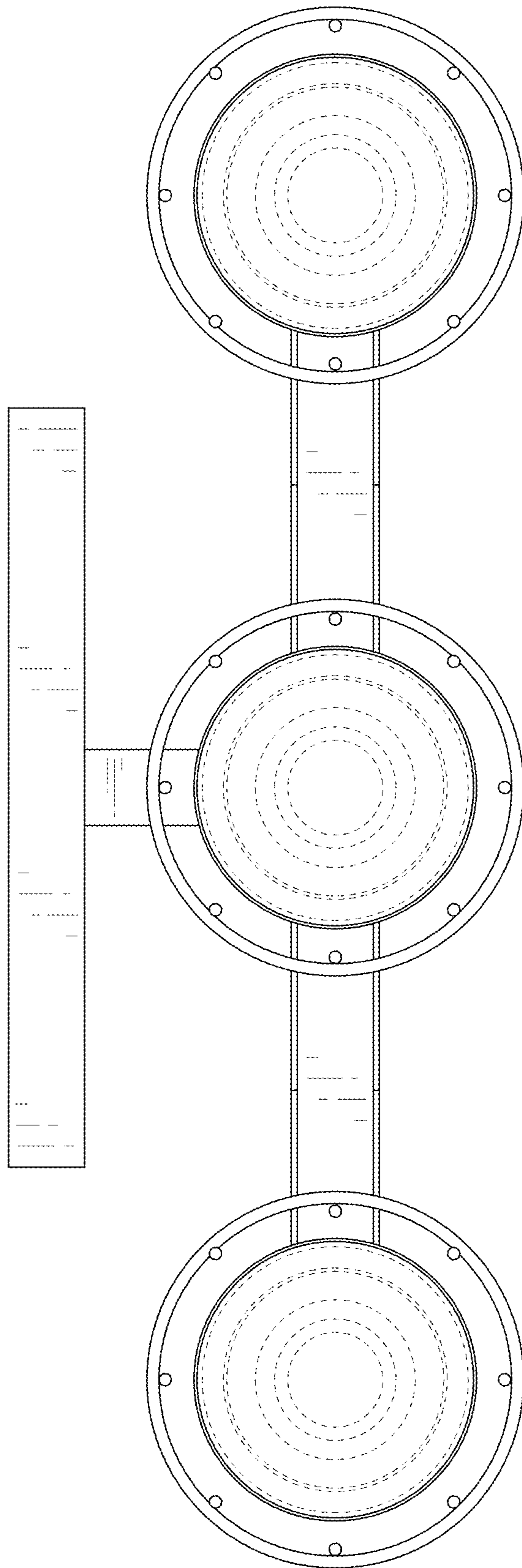


FIG. 15



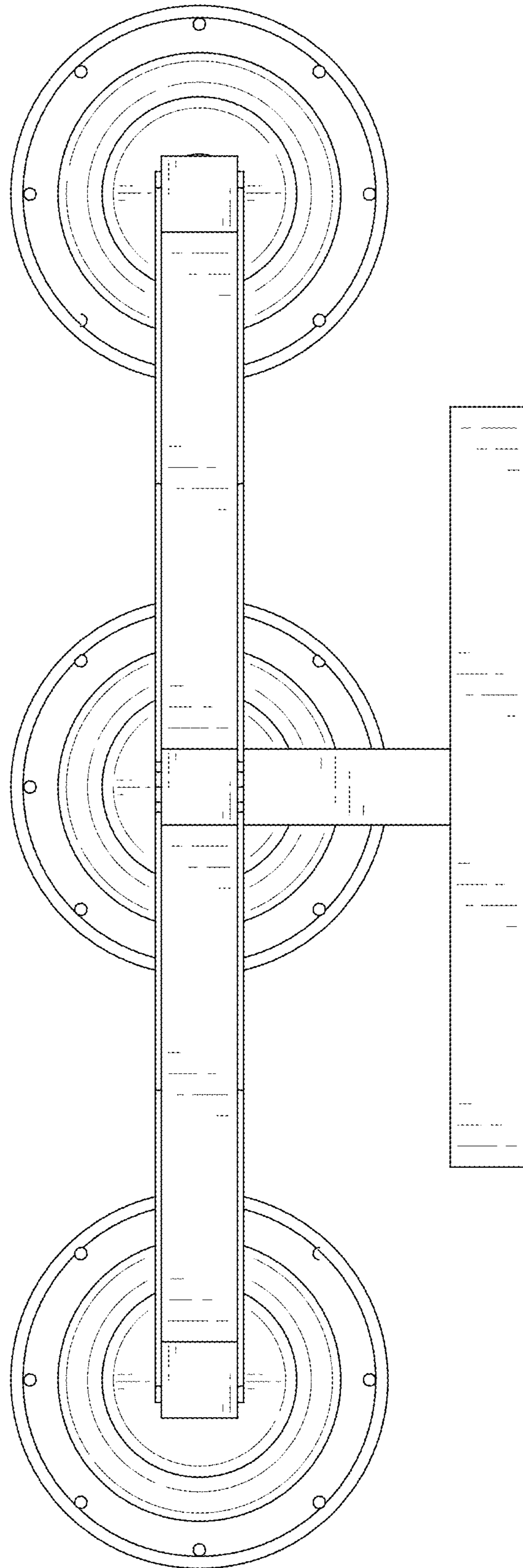


FIG. 16