



US00D895881S

(12) **United States Design Patent**  
**Mai**

(10) **Patent No.:** **US D895,881 S**

(45) **Date of Patent:** **\*\* Sep. 8, 2020**

(54) **LED LIGHT**

(71) Applicant: **QuanHua Mai**, Zhongshan (CN)

(72) Inventor: **QuanHua Mai**, Zhongshan (CN)

(\*\*) Term: **15 Years**

(21) Appl. No.: **29/695,387**

(22) Filed: **Jun. 19, 2019**

(51) **LOC (12) Cl.** ..... **26-03**

(52) **U.S. Cl.**  
USPC ..... **D26/85**

(58) **Field of Classification Search**  
USPC ..... D26/72, 85, 92; D10/106.6, 106.8  
CPC .... F21S 8/03; F21S 8/033; F21S 8/036; F21S  
8/037; F21S 9/022; F21S 9/024; F21S  
9/03; F21S 9/035; F21S 9/037; F21W  
2131/107; G08B 13/193

See application file for complete search history.

(56) **References Cited**

**U.S. PATENT DOCUMENTS**

D236,647 S \* 9/1975 Stewart ..... D26/85  
D279,871 S \* 7/1985 Guscott ..... D10/106.6  
4,939,359 A \* 7/1990 Freeman ..... G01V 8/10  
250/221  
5,001,611 A \* 3/1991 Beachy ..... F21S 8/033  
362/145  
D325,355 S \* 4/1992 Meguerdichian ..... D10/104.1

D339,079 S \* 9/1993 Behlke ..... D10/106.6  
D791,994 S \* 7/2017 Liu ..... D26/72  
D837,437 S \* 1/2019 Liu ..... D26/85  
D842,526 S \* 3/2019 Zhuo ..... D26/85  
D864,459 S \* 10/2019 Pan ..... D26/85  
D875,990 S \* 2/2020 Zeng ..... D26/85  
D882,148 S \* 4/2020 He ..... D26/85  
2009/0034242 A1 \* 2/2009 Engel ..... G09F 13/18  
362/147

\* cited by examiner

*Primary Examiner* — Clare E Heflin

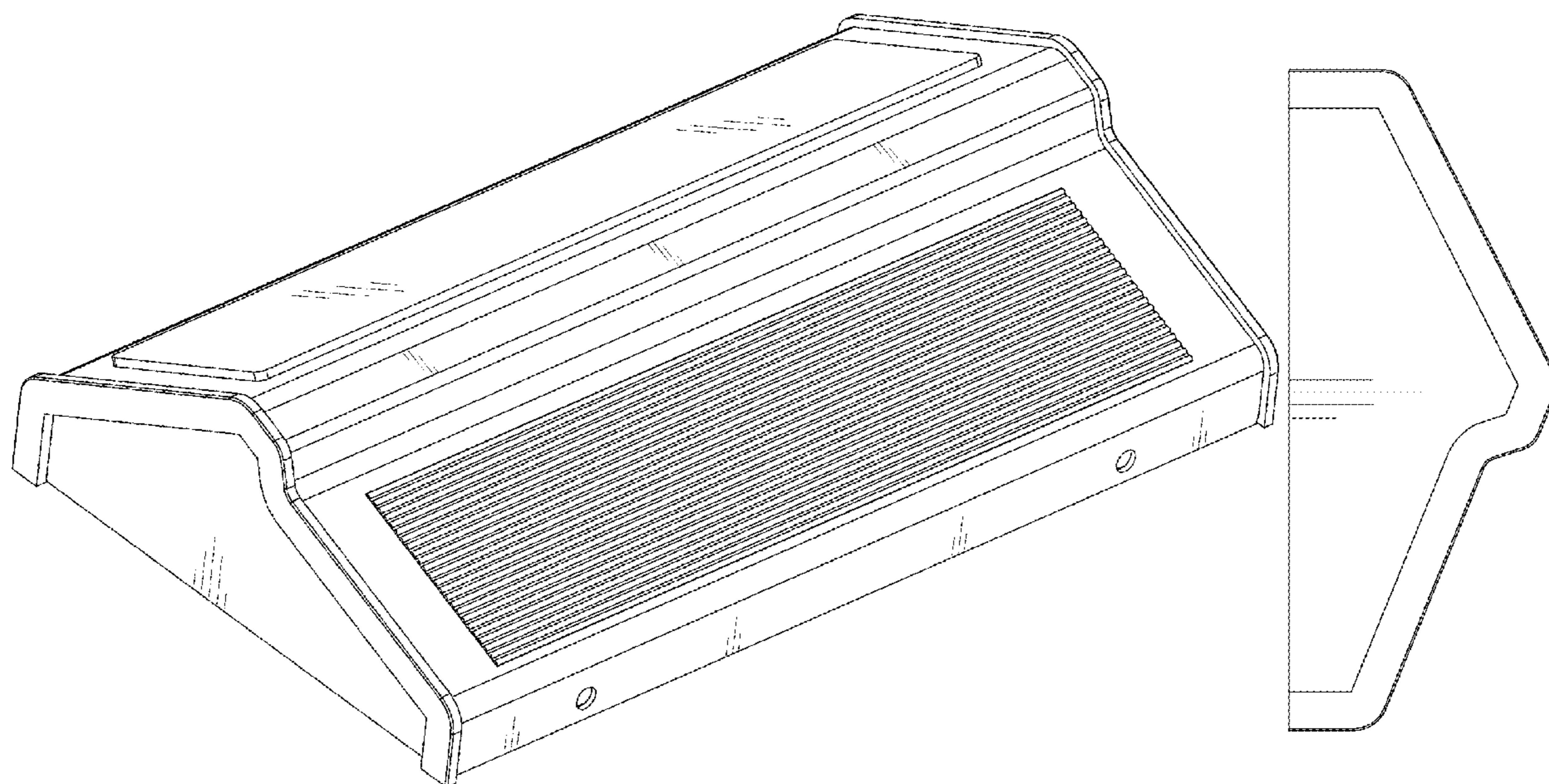
(57) **CLAIM**

The ornamental design for the LED light, as shown and described.

**DESCRIPTION**

FIG. 1 is a front perspective view of the LED light showing my new design;  
FIG. 2 is a rear perspective view thereof;  
FIG. 3 is a front elevational view thereof;  
FIG. 4 is a rear elevational view thereof;  
FIG. 5 is a left side elevational view thereof;  
FIG. 6 is a right side elevational view thereof;  
FIG. 7 is a top plan view thereof; and,  
FIG. 8 is a bottom plan view thereof.

**1 Claim, 7 Drawing Sheets**



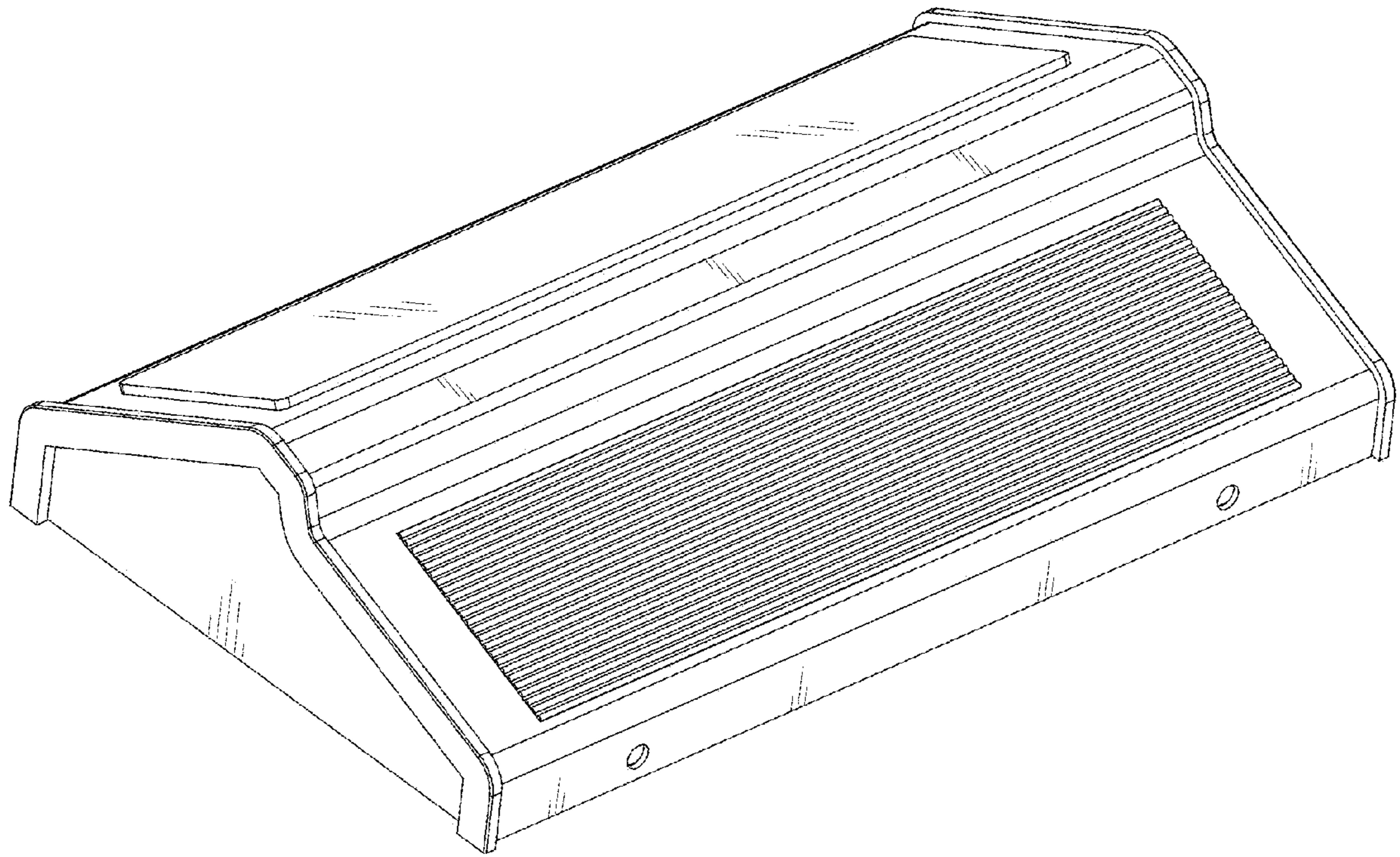


FIG.1

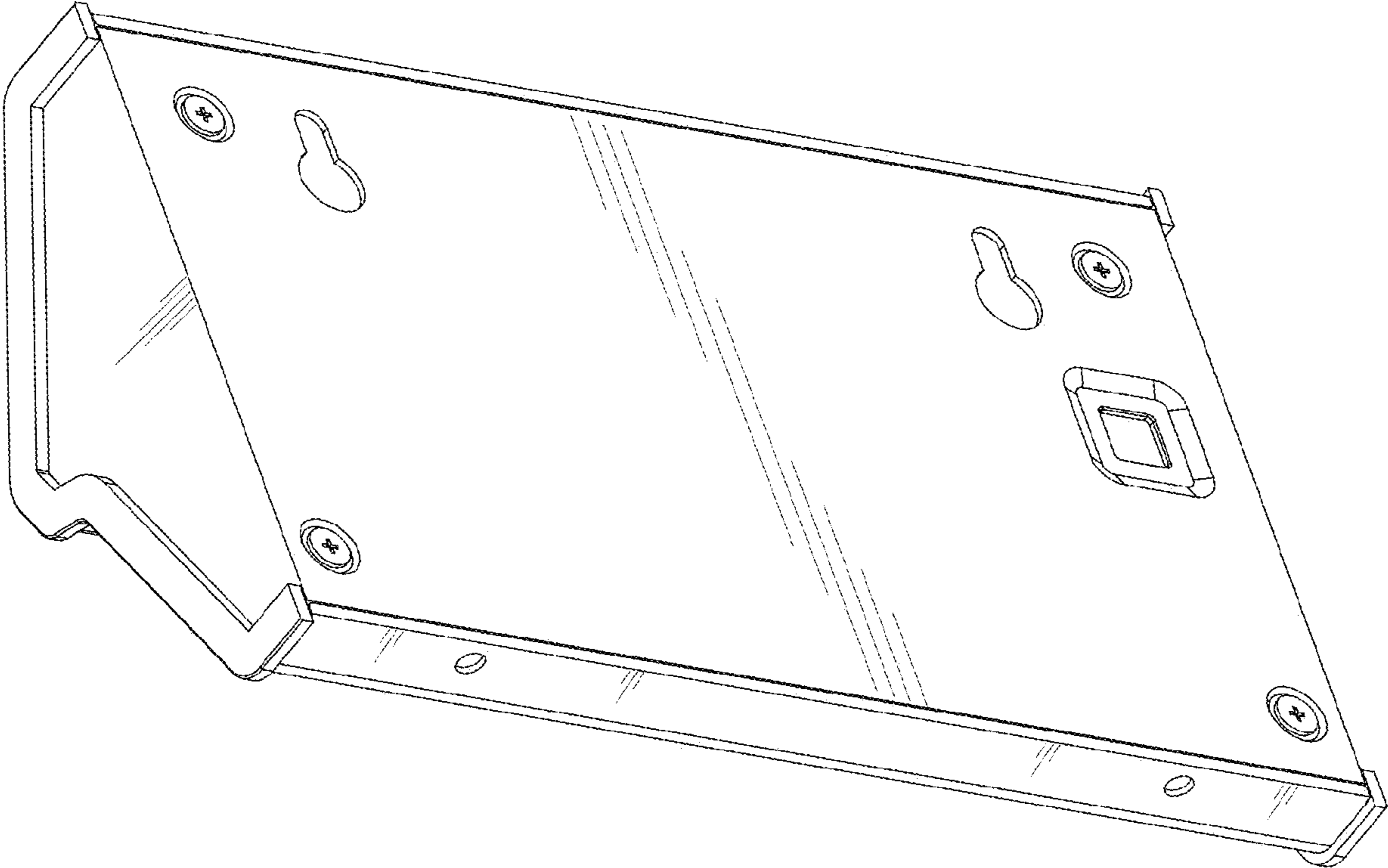


FIG.2

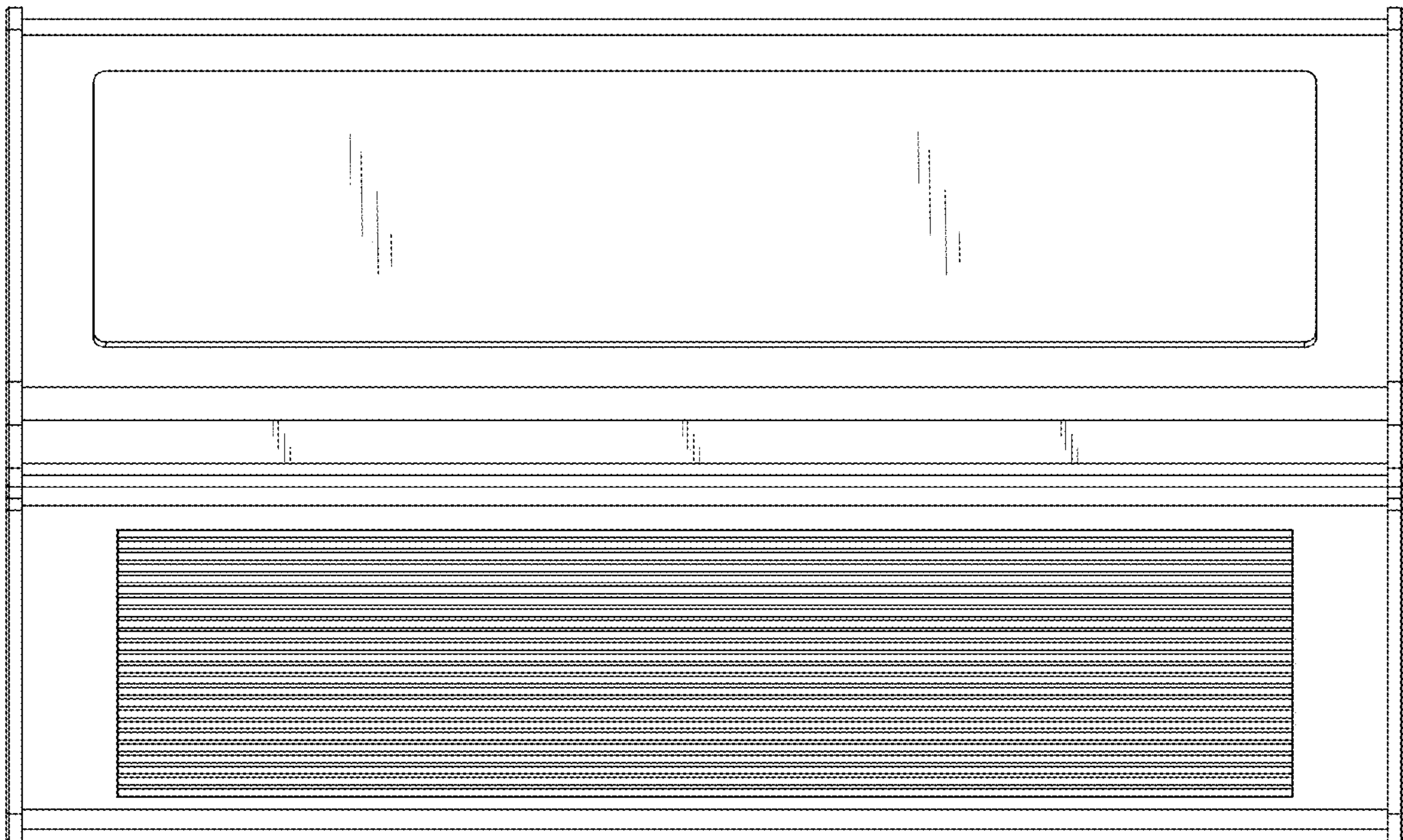


FIG.3

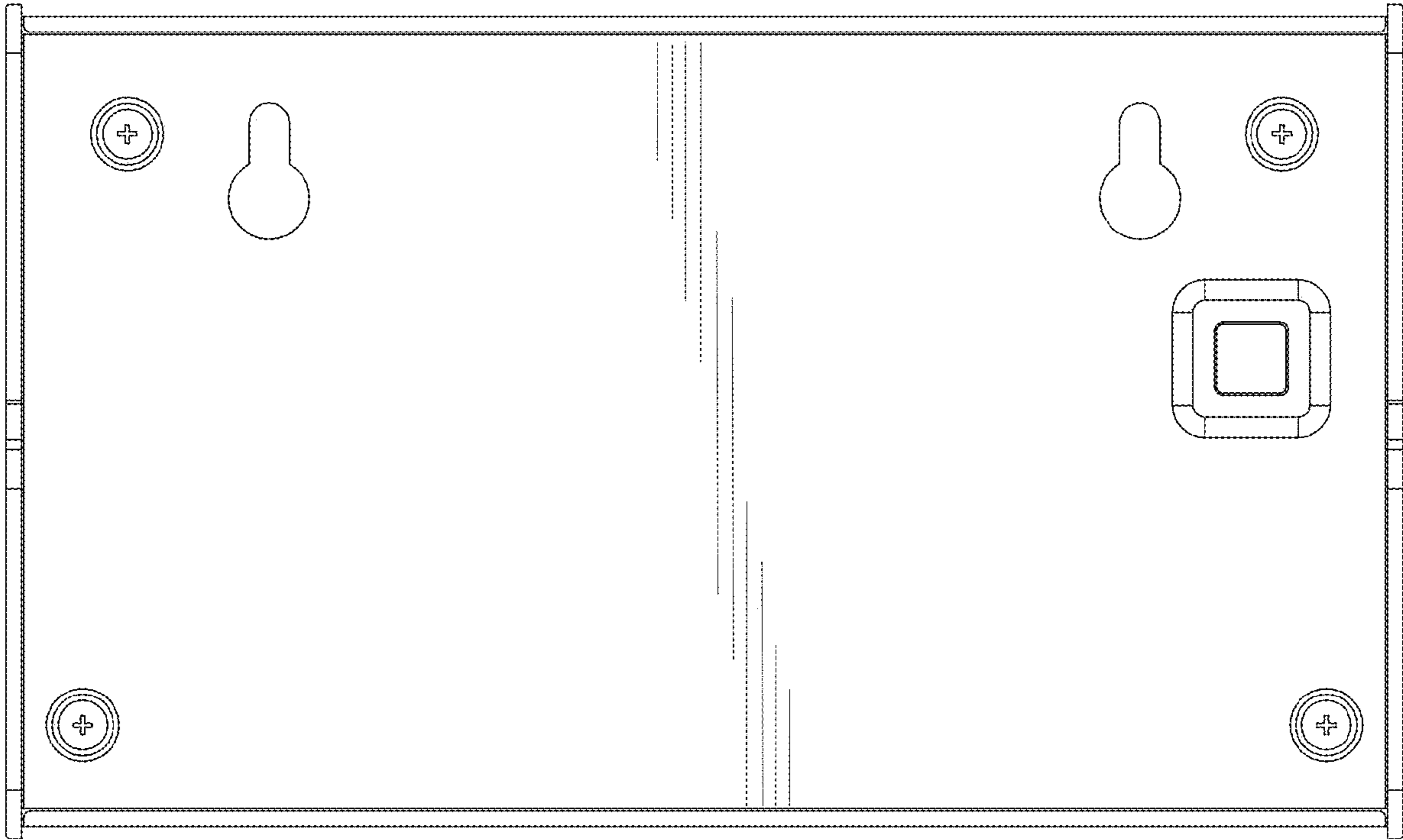


FIG. 4

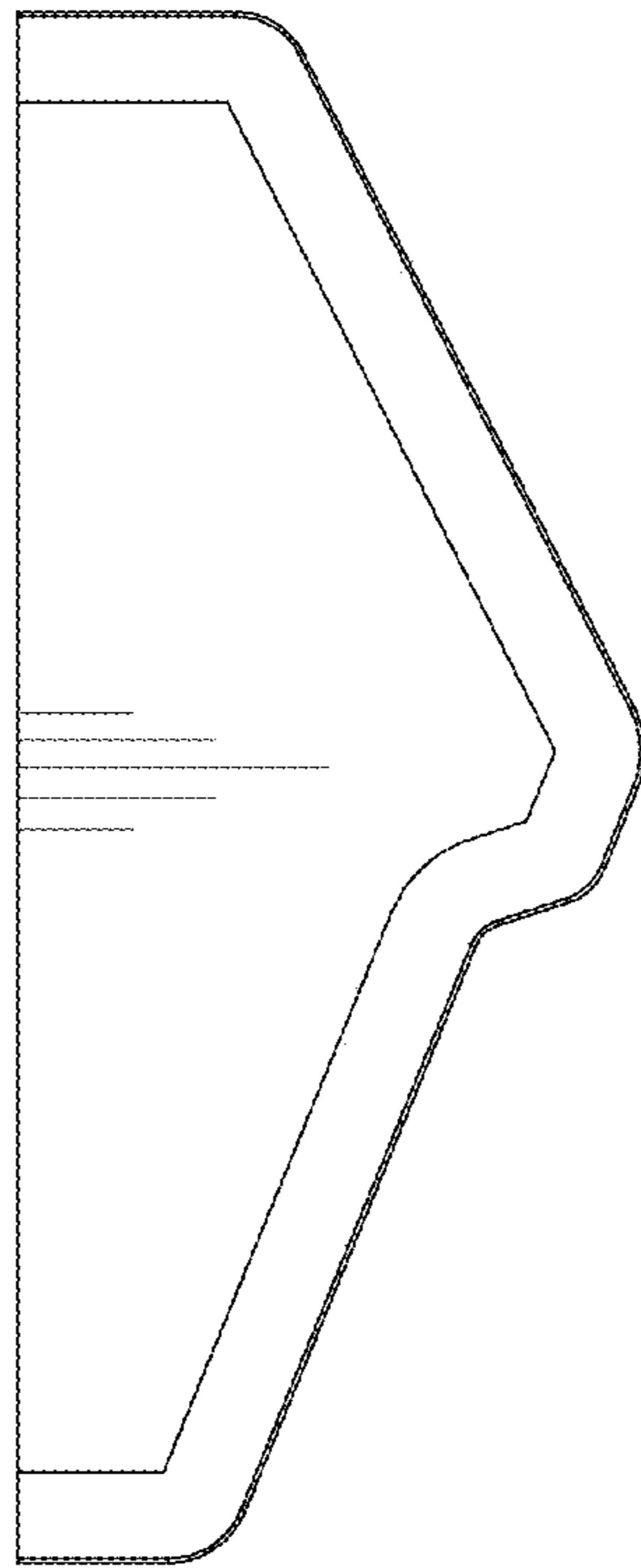


FIG. 5

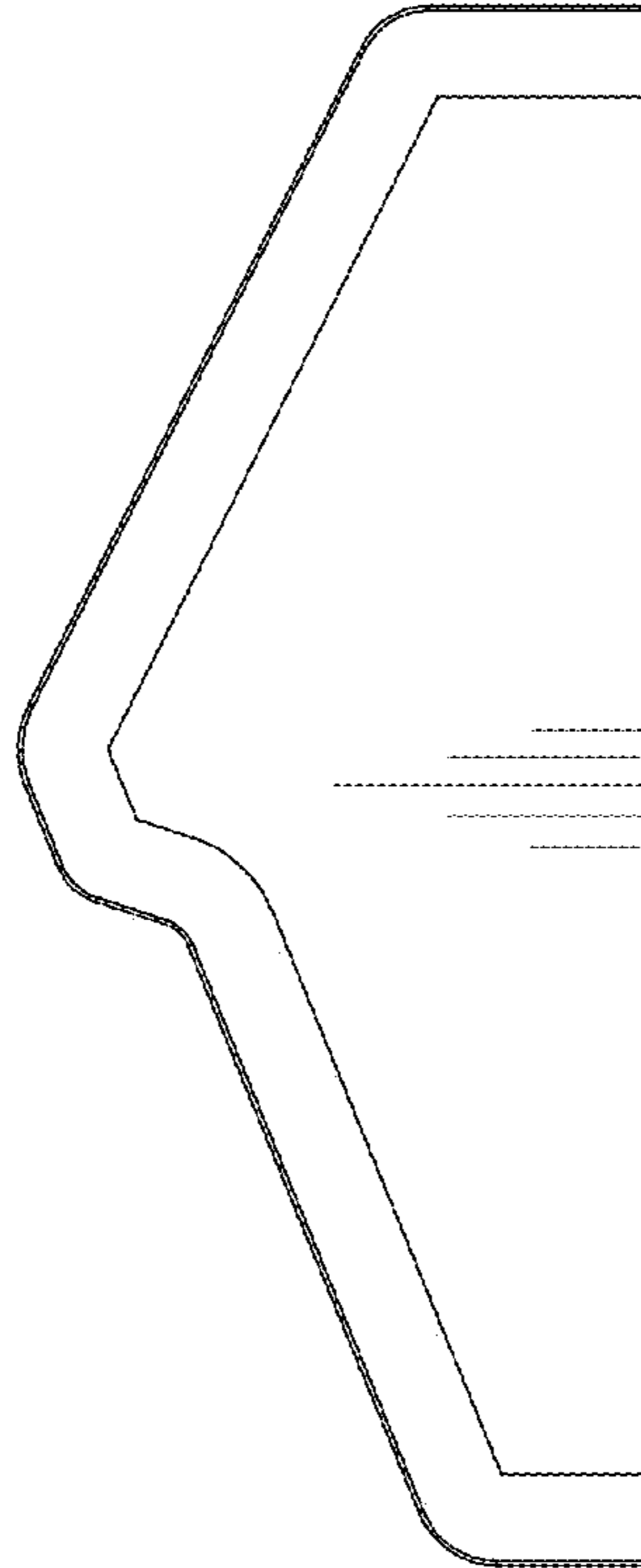


FIG.6

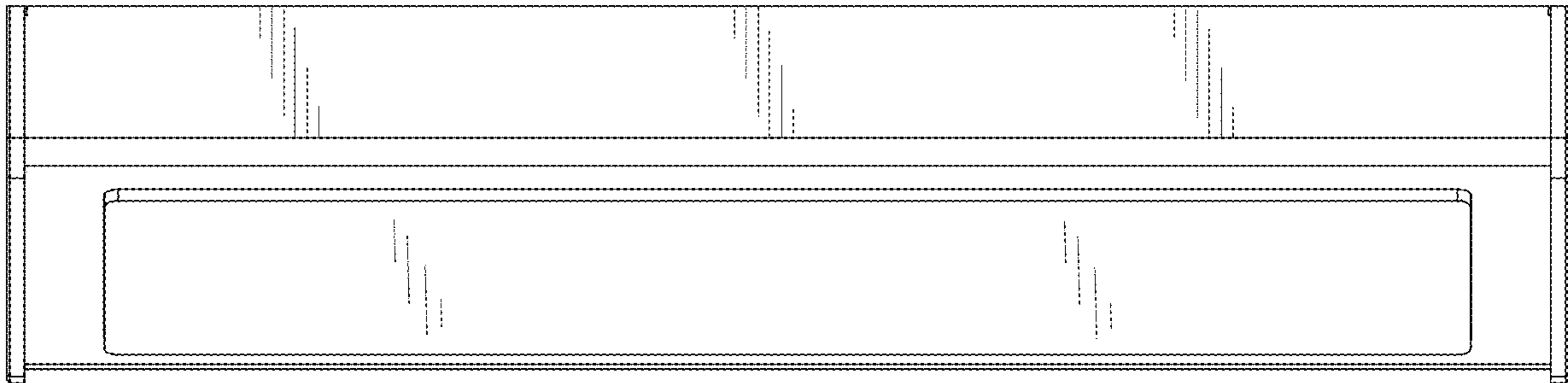


FIG. 7

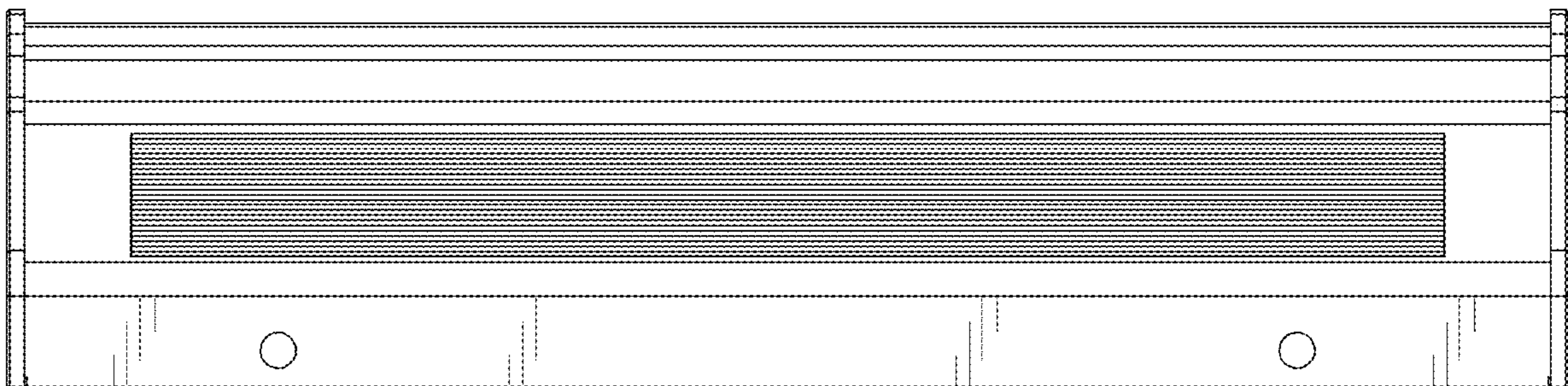


FIG. 8